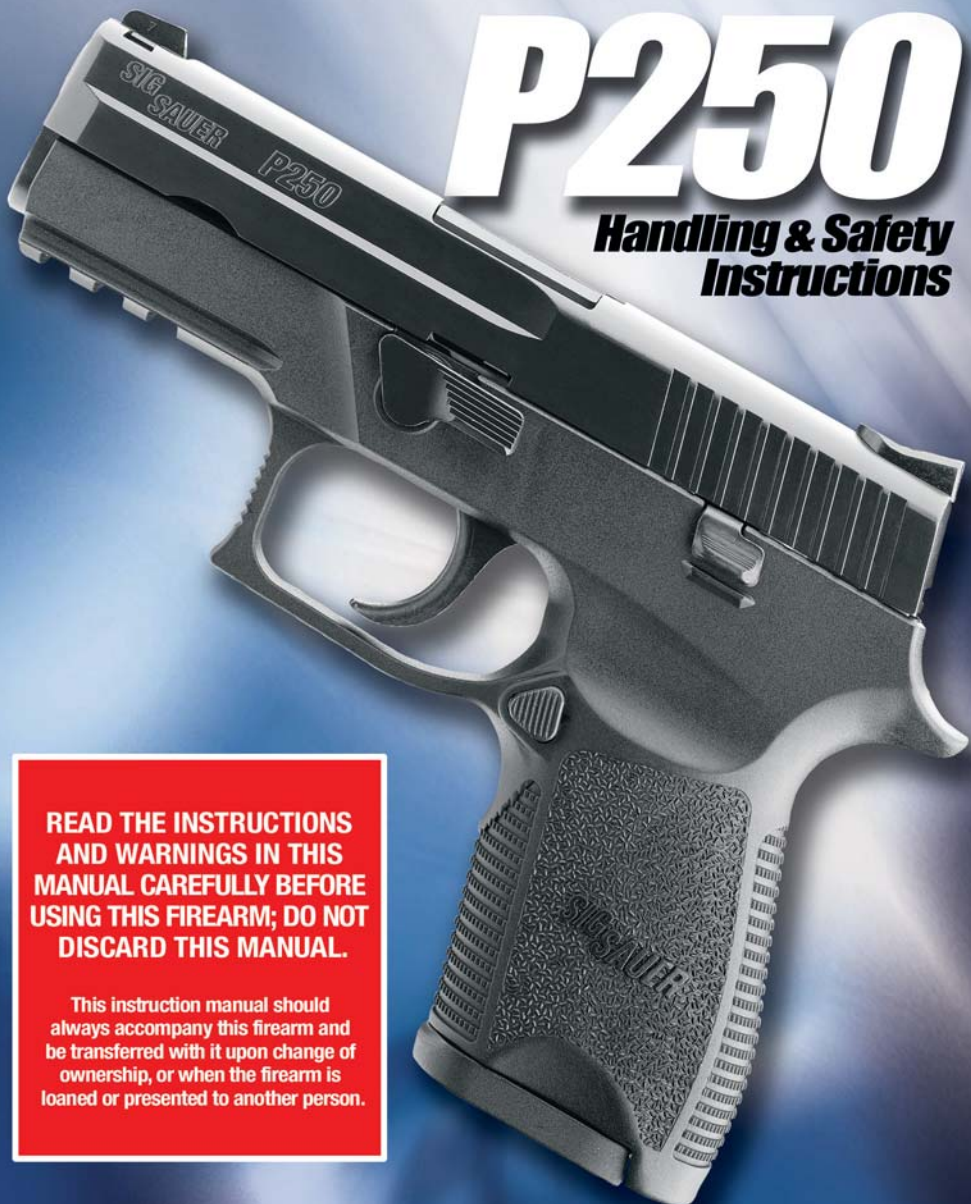




SIG SAUER®

P250

**Handling & Safety
Instructions**



**READ THE INSTRUCTIONS
AND WARNINGS IN THIS
MANUAL CAREFULLY BEFORE
USING THIS FIREARM; DO NOT
DISCARD THIS MANUAL.**

This instruction manual should always accompany this firearm and be transferred with it upon change of ownership, or when the firearm is loaned or presented to another person.

**FOR PRODUCT SERVICE ON THIS MODEL, PLEASE CALL (603)772-2302
SIG SAUER, INC. · 18 INDUSTRIAL DRIVE, EXETER, NEW HAMPSHIRE 03833 USA**

State-By-State Warnings

Certain states require, by law, that their own specified warning notices, in larger-than-normal type be conspicuously included by the manufacturer, distributor, or retail dealer with firearms sold in that state. SIG SAUER sells its products in compliance with applicable laws and regulations. Because our products may be sold these states, we include the following:

CALIFORNIA:

WARNING

“Children are attracted to and can operate firearms that can cause severe injuries or death. Prevent child access by always keeping guns locked away and unloaded when not in use. If you keep a loaded firearm where a child obtains and improperly uses it, you may be fined or sent to prison.”

ADVERTENCIA

“A los niños atraen las armas de fuego y las pueden hacer funcionar. Ellos pueden causarse lesiones graves y la muerte. Evite que los niños tengan acceso a las armas de fuego guardándolas siempre con llave y descargadas cuando no las esté utilizando. Si usted tiene una arma de fuego cargada en un lugar en que un niño tiene acceso a ella y la usa indebidamente, le pueden dar una multa o enviarlo a la cárcel.”

CONNECTICUT:

“UNLAWFUL STORAGE OF A LOADED FIREARM MAY RESULT IN IMPRISONMENT OR FINE.”

FLORIDA:

“IT IS UNLAWFUL, AND PUNISHABLE BY IMPRISONMENT AND FINE, FOR ANY ADULT TO STORE OR LEAVE A FIREARM IN ANY PLACE WITHIN THE REACH OR EASY ACCESS OF A MINOR UNDER 18 YEARS OF AGE OR TO KNOWINGLY SELL OR OTHERWISE TRANSFER

OWNERSHIP OR POSSESSION OF A FIREARM TO A MINOR OR A PERSON OF UNSOUND MIND.”

MAINE:

“ENDANGERING THE WELFARE OF A CHILD IS A CRIME. IF YOU LEAVE A FIREARM AND AMMUNITION WITHIN EASY ACCESS OF A CHILD, YOU MAY BE SUBJECT TO FINE, IMPRISONMENT OR BOTH. KEEP FIREARMS AND AMMUNITION SEPARATE. KEEP FIREARMS AND AMMUNITION LOCKED UP. USE TRIGGER LOCKS.”

MARYLAND:

“WARNING: Children can operate firearms which may cause death or serious injury. It is a crime to store or leave a loaded firearm in any location where an individual knew or should have known that an unsupervised minor would gain access to the firearm. Store your firearm responsibly!”

MASSACHUSETTS:

“WARNING FROM THE MASSACHUSETTS ATTORNEY GENERAL: This handgun is not equipped with a device that fully blocks use by unauthorized users. More than 200,000 firearms like this one are stolen from their owners every year in the United States. In addition, there are more than a thousand suicides each year by younger children and teenagers who get access to firearms. Hundreds more die from accidental discharge. It is likely that many more children sustain serious wounds, or inflict such wounds accidentally on others. In order to limit the chance of such misuse, it is imperative that you keep this weapon locked in a secure place and take other steps necessary to limit the possibility of theft or accident. Failure to take reasonable preventative steps may result in innocent lives being lost, and in some circumstances may result in your liability for these deaths.”

“IT IS UNLAWFUL TO STORE OR KEEP A FIREARM, RIFLE, SHOTGUN OR MACHINE GUN IN ANY PLACE UNLESS THAT WEAPON IS EQUIPPED WITH A TAMPER RESISTANT SAFETY DEVICE OR IS STORED OR KEPT IN A SECURELY LOCKED CONTAINER.”

NEW JERSEY:

“IT IS A CRIMINAL OFFENSE TO LEAVE A LOADED FIREARM WITHIN EASY ACCESS OF A MINOR.”

NEW YORK CITY, NY:

“THE USE OF A LOCKING DEVICE OR SAFETY LOCK IS ONLY ONE ASPECT OF RESPONSIBLE FIREARMS STORAGE. FOR INCREASED SAFETY, FIREARMS SHOULD BE STORED UNLOADED AND LOCKED IN A LOCATION THAT IS BOTH SEPARATE FROM THEIR AMMUNITION AND INACCESSIBLE TO CHILDREN AND OTHER UNAUTHORIZED PERSONS.”

NORTH CAROLINA:

“IT IS UNLAWFUL TO STORE OR LEAVE A FIREARM THAT CAN BE DISCHARGED IN A MANNER THAT A REASONABLE PERSON SHOULD KNOW IS ACCESSIBLE TO A MINOR.”

TEXAS:

“IT IS UNLAWFUL TO STORE, TRANSPORT, OR ABANDON AN UNSECURED FIREARM IN A PLACE WHERE CHILDREN ARE LIKELY TO BE AND CAN OBTAIN ACCESS TO THE FIREARM.”

WISCONSIN:

“IF YOU LEAVE A LOADED FIREARM WITHIN THE REACH OR EASY ACCESS OF A CHILD YOU MAY BE FINED OR IMPRISONED OR BOTH IF THE CHILD IMPROPERLY DISCHARGES, POSSESSES, OR EXHIBITS THE FIREARM.”

* * * * *

Please check with your licensed retailer, state police, or local police for additional warnings which may be required by local law or regulation. Such regulations change constantly, and local authorities are in the best position to advise you on such legal matters.



WARNING - LOCKING DEVICES



This firearm was originally sold with a key operated locking device. While it can help provide secure storage for your **unloaded** firearm, any locking device can fail. All guns are designed to fire if they are loaded and the trigger is pulled. Therefore, **never install the locking inside the trigger guard or in any way that it can possibly pull the trigger!** Do not leave the keys in the lock.

The ultimate responsibility for secure storage of any firearm must depend upon its owner and his or her individual circumstances. **Guns should be stored unloaded, in a secure location, separate from their ammunition.**



NEVER INSTALL THE LOCKING DEVICE INSIDE THE TRIGGER GUARD

FIREARMS SAFETY IS YOUR RESPONSIBILITY

SAFETY MUST BE THE FIRST AND CONSTANT CONSIDERATION OF EVERY PERSON WHO HANDLES FIREARMS AND AMMUNITION.

This Instruction Manual is designed to assist you in learning how to use and care for your **SIG Sauer** Pistol properly.

Only when you are certain that you fully understand the Manual and can properly carry out its instructions should you practice loading, etc., with live ammunition. If you have any doubts about your ability to handle or use a particular type of gun safely, you should seek supervised instruction. Such personalized instruction is often available from gun dealers, gun clubs, or police departments. If none of these sources can help you, write to the National Rifle Association (NRA): 11250 Waples Mill Road, Fairfax, VA 22030-7400. The NRA will assist you.

The person with a gun in their possession has a full-time job; you cannot guess and you cannot forget. You must know how to use your firearm safely. **Do not use any firearm without having a complete understanding of its particular characteristics and safe use.** Remember: there is no such thing as a fool-proof gun.

TABLE OF CONTENTS

Topic	Page
State-By-State Warnings	1
Locking Device	4
Warnings of Great Importance	8
General Safety Information and Mechanical Characteristics	9
1.0. Safety Rules	9
1.1. Protect Your Eyes And Ears	9
2.0. Mechanical Characteristics and Weapon Theory	10
2.1. Weapon Description	10
2.1.1. General	10
2.1.2. Principal Features	10
2.2. Technical Specifications	11
2.3. Main Parts	12
Ammunition	13
3.0. Handling	17
3.1. Important Instructions	17
3.2. Loading The Magazine	17
3.3. Loading The Pistol (Ready to Fire)	18
3.4. Reloading During Shooting	18
4.0. Firing	20
4.1. Firing The Pistol	22
5.0. Unloading The Pistol	23
5.1. Unloading The Pistol, Magazine Not Empty	23
5.2. Unloading The Pistol, Magazine Empty, Slide Open	24
6.0. Procedures In Case Of Malfunction	26
6.1. Troubleshooting Guide	27
6.2. Minimize Malfunctions	28

7.0. Pistol Adjustments	29
7.1. General Information	29
7.2. Magazine Catch Reversal	29
7.3. Changing The Grip Module	30
7.3.1. Disassembly	30
7.3.2. Assembly	31
8.0. Sights	33
8.1. General Information	33
8.2. Windage Adjustment	33
8.3. Elevation Adjustment	34
9.0. Maintenance	35
9.1. Pistol Disassembly	35
9.2. Magazine Disassembly	38
9.3. Cleaning The Pistol	39
9.4. Pistol Assembly	40
9.5. Magazine Assembly	42
9.6. Function Verification	43
10.0. Transportation And Storage	45
11.0 Service And Parts Policy	46
11.1. Parts Policy	46
11.2. Service Policy	47
11.3. Shipping Firearms For Repair	48
11.4. Ordering Parts	49
12.0. Parts List	50
12.1. Parts Diagram	51
The Basic Rules of Safe Firearms Handling	52
Warranty Information	inside back cover

WARNINGS OF GREAT IMPORTANCE ARE FOUND ON THE FOLLOWING PAGES:

Locking Devices	4	Disassembly	32
Alterations	8	Sight Adjustment	34
Lead Exposure	16	Maintenance	35
Ammunition	16	Function Check	42
Handling	21	Inspection	44
Handling	22	Storage	45
Unloading	25	Parts Purchasers	47
Alteration	32	Shipping	49

OTHER CAUTIONS AND WARNINGS APPEAR THROUGHOUT THE MANUAL

FIREARMS ARE DANGEROUS WEAPONS —

READ THE INSTRUCTIONS AND WARNINGS IN THIS MANUAL THOROUGHLY AND CAREFULLY BEFORE USING.



WARNING - ALTERATION



This product was designed to function properly in its original condition. Alterations can make it unsafe. Do not alter any part or add or substitute any parts or accessories not manufactured by SIG SAUER.

DO NOT ALTER ANY GUN

GENERAL SAFETY INFORMATION AND MECHANICAL CHARACTERISTICS

1.0. Safety Rules

The safety warnings in this manual are important. By understanding the dangers inherent in the use of any firearm, and by taking the precautions described herein, you can enjoy complete safety in the use of your pistol. Failure to heed any of these warnings may result in serious injury to you or others, as well as severe damage to the firearm or other property.

PISTOLS are classified as FIREARMS and are sold by SIG SAUER. with the specific understanding that we shall not be responsible in any manner whatsoever for malfunctioning of the firearm, physical injury or property damage resulting in whole or in part from:

- 1) criminal or negligent discharge;
- 2) improper or careless handling;
- 3) unauthorized modifications;
- 4) defective, improper, hand-loaded, or reloaded ammunition;
- 5) corrosion;
- 6) neglect; or
- 7) other influences beyond our direct and immediate control.

This limitation applies regardless of whether liability is asserted on the basis of contract, negligence, or strict liability (including any failure to warn). Under no circumstance shall SIG SAUER, Inc. be liable for incidental or consequential damages, such as loss of use of property, commercial loss, and loss of earnings or profits.

1.1. Protect Your Eyes And Ears

Always wear safety glasses and ear plugs or “ earmuff ” type protectors whenever you are shooting. Always make certain that

persons close to you are similarly protected. Unprotected eyes may be injured by powder, gas, carbon residue, lubricant, metallic particles, or similar debris which may emanate occasionally from any firearm in normal use. Without ear protection, repeated exposure to shooting noise may lead to cumulative, permanent hearing loss.

2.0. Mechanical Characteristics And Weapon Theory

2.1. Weapon Description

2.1.1 General

The SIG Sauer P250 Pistol is a modern handgun incorporating the latest technical advances in weapon design for military, law enforcement and sporting use. The P250 is a mechanically locked, short recoil operated pistol with semiautomatic reloading. Firing takes place with each pull of the trigger until the magazine is empty. The slide remains open after the last round has been fired from the magazine.

2.1.2. Principal Features

The automatic firing pin lock and double-action trigger ensure safe carrying of the weapon and provide instant readiness without actuating a manual safety.

Distinctive high contrast sights, in conjunction with the ergonomically correct grip, ensure rapid target acquisition and engagement, even under poor lighting conditions.

Interchangeable grip modules of different sizes allow for optimal adaptation of the weapon to the individual user.

The magazine catch can easily be reconfigured for left or right hand operation. All other operating controls are designed so they can be operated from either side.

A Picatinny rail is integrated into the grip module, facilitating the easy attachment of industry standard tactical accessories.

The closed design of the pistol helps keep dirt and other debris from entering the pistol, ensuring proper function in harsh environmental conditions.

The P250 pistol is a Double-Action-Only (DAO) design.

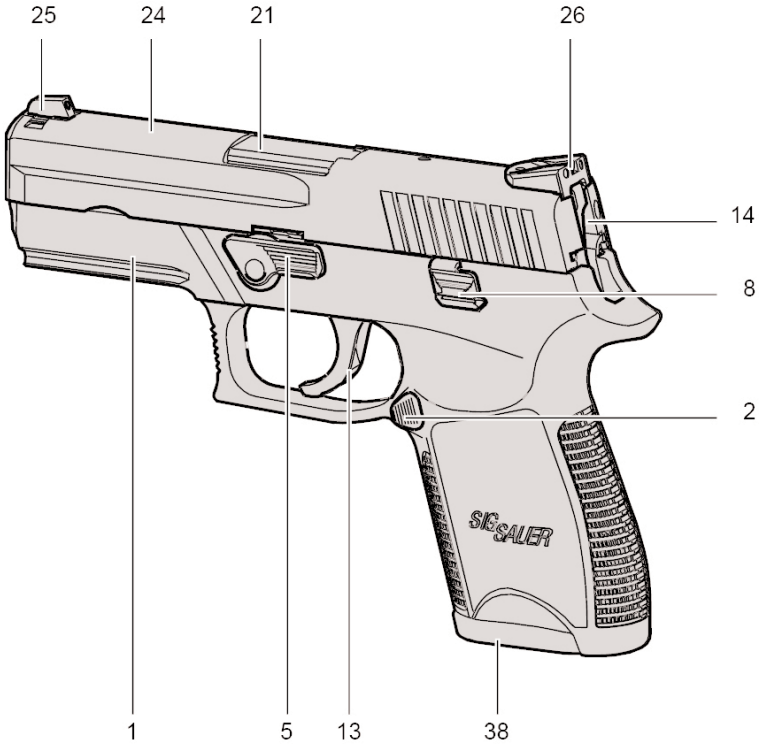
2.2. Technical Specifications

Caliber	9mm
Length, overall	7.20"
Height, overall	5.12"
Width, overall	1.38"
Barrel length	3.86"
Rifling twist	1 in 10"
Rifling grooves	6
Sight radius	5.79"
Weight incl. magazine	30.86 oz
Magazine weight, empty	2.65 oz
Trigger pull	5.5 - 6.5 lbf
Magazine capacity	16 rds

Specifications are approximate and subject to change without notice

- Double-Action-Only (DAO) trigger system.
- Left or right hand operation (magazine catch repositions to either side, slide catch lever functions from both sides).
- Glass reinforced grip module with integral Picatinny rail.
- Interchangeable grip module available in different sizes.
- Grip modules feature stippled gripping surface with horizontal serrations for positive control.
- Solid slide of high-strength steel with rear cocking serrations.
- High contrast or SIGLITE™ Night Sights in different heights.

2.3. Main Parts



Item	Description	Item	Description
1	Grip module	21	Barrel
2	Magazine catch	24	Slide
5	Takedown lever	25	Front sight
8	Slide catch lever	26	Rear sight
13	Trigger	38	Magazine floor plate
14	Hammer		

AMMUNITION

1. Use only high quality, original, factory-manufactured ammunition. Do not use cartridges that are dirty, wet, corroded, bent, or damaged. Do not oil cartridges. Do not spray aerosol-type lubricants, preservatives, or cleaners directly onto cartridges or where excess spray may flow into contact with cartridges. Lubricant or other foreign matter on cartridges can cause potentially dangerous ammunition malfunctions. Use only ammunition of the caliber for which your firearm is chambered. The proper caliber is permanently engraved on your firearm; never attempt to use ammunition of any other caliber.
2. The use of reloaded, “remanufactured” hand-loaded, or other non-standard ammunition voids all warranties. Reloading is a science and improperly loaded ammunition can be extremely dangerous. Severe damage to the firearm and serious injury to the shooter or to others may result. Always use ammunition that complies with the industry performance standards established by the Sporting Arms and Ammunition Manufacturers’ Institute, Inc. of the United States (SAAMI) or ammunition manufactured to military specifications.

AMMUNITION (CARTRIDGE) NOTICE

SIG SAUER SPECIFICALLY DISCLAIMS RESPONSIBILITY FOR ANY DAMAGE OR INJURY WHATSOEVER OCCURRING IN CONNECTION WITH, OR AS A RESULT OF, THE USE IN ANY SIG SAUER FIREARM OF FAULTY, NON-STANDARD, “REMANUFACTURED” HAND LOADED (RELOADED) AMMUNITION, OR CARTRIDGES OTHER THAN THOSE FOR WHICH THE FIREARM WAS ORIGINALLY CHAMBERED.

3. Firearms may be severely damaged and serious injury to the shooter or to others may result from any condition causing excessive pressure inside the chamber or barrel during firing. Excessive pressure can be caused by obstructions in the barrel, propellant powder overloads, the use of incorrect cartridges or defectively assembled cartridges. In addition, the use of a dirty, corroded, or damaged cartridge can lead to a burst cartridge case and consequent damage to the firearm and personal injury from the sudden escape of high-pressure propellant gas within the firearm's mechanism.

4. Immediately stop shooting and check the barrel for a possible obstruction whenever:

- You have difficulty in, or feel unusual resistance in, chambering a cartridge;
- A cartridge misfires (does not go off);
- The mechanism fails to extract a fired cartridge case;
- Unburned grains of propellant powder are discovered spilled in the mechanism;
- A shot sounds weak or abnormal. In such cases it is possible that a bullet is lodged part way down the barrel. Firing a subsequent bullet into the obstructed barrel can wreck the firearm and cause serious injury to the shooter or to bystanders.

5. Bullets can become lodged in the barrel:

- If the cartridge has been improperly loaded without propellant powder, or if the powder fails to ignite (ignition of the cartridge primer alone will push the bullet out of the cartridge case, but usually does not generate sufficient energy to expel the bullet completely from the barrel);
- If the bullet is not properly seated in the cartridge case. When such a cartridge is extracted from the chamber without being fired, the bullet may be left behind in the bore at the point where the rifling begins. Subsequent chambering of another cartridge may push the

first bullet further into the bore.

6. If there is any reason to suspect that a bullet is obstructing the barrel, immediately unload the firearm and look through the bore. It is not sufficient to merely look in the chamber. A bullet may be lodged some distance down the barrel where it cannot easily be seen.

IF A BULLET IS IN THE BORE, DO NOT ATTEMPT TO SHOOT IT OUT BY USING ANOTHER CARTRIDGE OR BY BLOWING IT OUT WITH A BLANK OR ONE FROM WHICH THE BULLET HAS BEEN REMOVED. SUCH TECHNIQUES CAN GENERATE EXCESSIVE PRESSURE, WRECK THE FIREARM, AND CAUSE SERIOUS PERSONAL INJURY.

If the bullet can be removed with a cleaning rod, clean any unburned powder grains from the bore, chamber, and mechanism before resuming shooting. If the bullet cannot be dislodged by tapping it with a cleaning rod, take the firearm to a gunsmith.

7. Dirt, corrosion, or other foreign matter on a cartridge can impede complete chambering and may cause the cartridge case to burst upon firing. The same is true of cartridges which are damaged or deformed.

8. Do not oil cartridges, and be sure to wipe the chamber clean of any oil or preservative before commencing to shoot. Oil interferes with the friction between cartridge case and chamber wall that is necessary for safe functioning, and subjects the firearm to stress similar to that imposed by excessive pressure.

9. Use lubricants sparingly on the moving parts of your firearm. Avoid excessive spraying of any aerosol gun care product, especially where it may get on ammunition. All lubricants and aerosol spray lubricants in particular can penetrate cartridge primers and cause misfires. Some highly penetrative lubricants can also migrate inside cartridge cases and cause deterioration of

the propellant powder; on firing, the powder may not ignite. If only the primer ignites, there is danger that the bullet may become lodged in the barrel.



WARNING - AMMUNITION



Death, serious injury, and damage can result from the use of wrong ammunition, bore obstructions, powder overloads, or incorrect cartridge components. **Always** wear shooting glasses and hearing protectors.

**IMPROPER AMMUNITION
DESTROYS GUNS**



WARNING - LEAD EXPOSURE



Discharging firearms in poorly ventilated areas, cleaning firearms, or handling ammunition may result in exposure to lead and other substances known to the state of California to cause birth defects, reproductive harm, and other serious physical injury. Maintain adequate ventilation at all times. Wash hands thoroughly after exposure.

**SHOOTING OR CLEANING GUNS
MAY EXPOSE YOU TO LEAD**

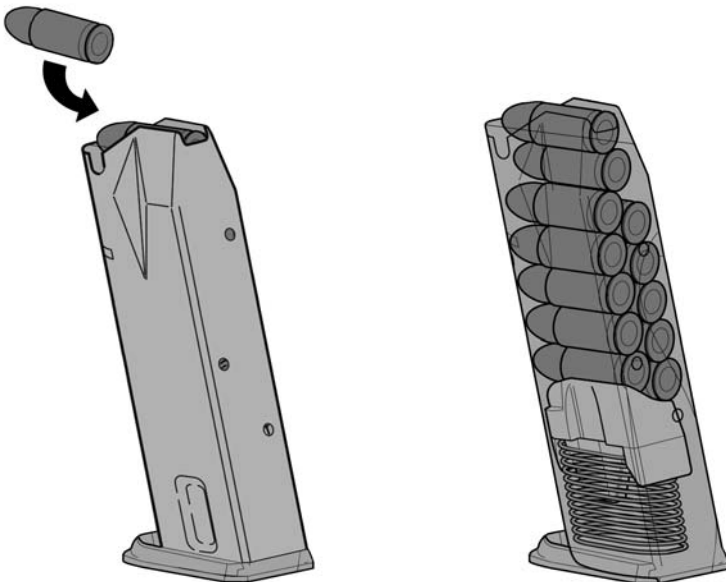
3.0. Handling

3.1. Important Instructions

You have the pistol and ammunition, and you've read and understood all of the safety instructions. You are now ready to use the pistol.

3.2. Loading the Magazine

1. Ensure the magazine is the proper type and caliber for the pistol.
2. Press down on the magazine follower with the cartridge case rim. Ensure the bullet is facing the front of the magazine.
3. Push the cartridge to the rear and under the magazine lips.
4. Repeat until the magazine holds the desired number of cartridges.



3.3. Loading the Pistol (ready to fire)

1. Point the pistol in a safe direction..
2. Insert a full magazine and ensure it is engaged.
3. Pull the slide back fully and release, allowing the slide to fly forward.



- The pistol is loaded and ready to fire.

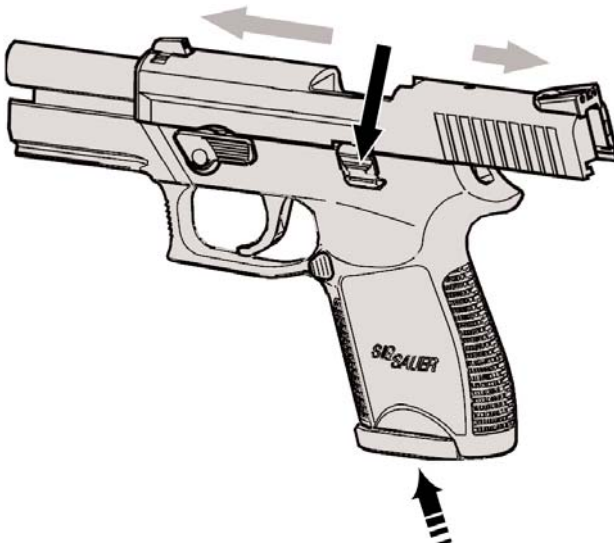
3.4. Reloading During Shooting

When the last round in the magazine is expended, the slide will be locked back in the open position by the slide catch lever.

1. Depress the magazine catch.
2. Remove the empty magazine.



3. Insert a loaded magazine.
4. Release the slide by -
 - a. Pressing down on the slide catch lever (8), or,
 - b. Pulling back on the slide (24) and releasing.



- The pistol is loaded and ready to fire.

Always make sure the muzzle is pointed in a safe direction! Never attempt to load or unload any firearm inside a vehicle, building, or other confined space (except a properly constructed shooting range). Enclosed areas frequently offer no completely safe direction to point the firearm; if an accidental discharge occurs, there is great risk of bodily injury or property damage. Before loading, always clean all grease and oil from the bore and chamber, and check to be certain that no obstruction is in the barrel. Any foreign matter in the barrel could result in a bulged or burst barrel or other damage to the firearm, and could cause serious injury to the shooter or to others.

**WARNING: DO NOT TOUCH THE TRIGGER
UNTIL YOU ARE ACTUALLY READY TO
FIRE THE PISTOL.**

4.0. Firing

Keep the muzzle pointed in a safe direction and your finger away from the trigger when cocking any firearm.



Never fire any firearm with your finger, hand, face, or other part of your body over or adjacent to the ejection port, or in any position where you may be struck by reciprocating movement of the breech. Both the ejection of empty cartridge cases and the movement of the breech are part of the normal operating cycle of firearms, and pose no safety hazard to the shooter if the firearm is held in a normal grip and fired at arm's length.

Never allow other persons to stand beside you where they might be struck by an ejected cartridge case. The case is hot, and may be ejected with sufficient force to cause a burn, cut, or injury to an unprotected eye. Make certain there is a clear, unobstructed

path for safe ejection of the fired case. Remember, the case may bounce off a hard object nearby and strike you or someone else.

If, while shooting, your firearm develops a mechanical malfunction or binding, or “spits” powder/gas, or if a cartridge primer is punctured, or a cartridge case is bulged or ruptured, or if the report on firing does not sound quite right, **STOP SHOOTING IMMEDIATELY!** It may be dangerous to continue. **UNLOAD THE FIREARM – DO NOT** try “one more shot.” Take the firearm and the ammunition to a gunsmith for examination.

While shooting any firearm, an unfired cartridge or fired cartridge case may occasionally become jammed between the bolt and the barrel. Clear the jam as follows, **WHILE KEEPING THE MUZZLE POINTED IN A SAFE DIRECTION:** Remove the magazine, then pull back the bolt by way of the charging handle and lock it to the rear by pushing up the slide catch. The jammed cartridge or case now can be removed by shaking it out or by picking it out.

	WARNING - HANDLING
	The slide opens and shuts quickly while firing. Keep face and hands away from it. Hot brass and powder gas is ejected quickly and can burn you. Always wear shooting glasses and hearing protectors.
	SLIDE OPENS FAST — HOT BRASS EJECTED



WARNING - HANDLING

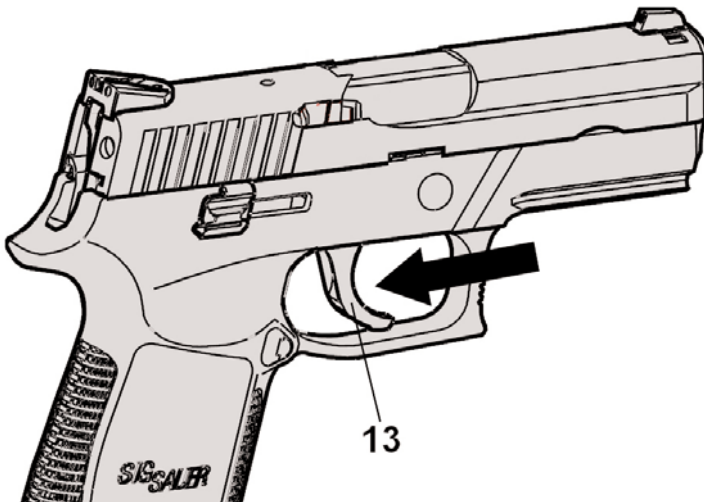


If dropped the pistol may fire. Keep the chamber empty unless actually firing!

**ANY GUN MAY FIRE
IF DROPPED**

4.1. Firing the Pistol

1. Aim the pistol at a safe target.
2. Place finger on the trigger (13) and pull back to discharge.



3. Keep the pistol aimed at the target and continue to fire as required or until the pistol is empty.
4. Remove the magazine, unload and clear the pistol (see section 5 “Unloading the pistol” on page 23). If the pistol was fired until the magazine is empty, the slide will remain locked to the rear. If firing is to continue, reload the pistol (see section 3.4 “reloading during shooting” on page 18).

5.0. Unloading the Pistol

5.1. Unloading the Pistol, Magazine Not Empty

1. Keep the muzzle pointed in a safe direction.
2. Depress the magazine catch and remove the magazine.
3. Pull the slide (24) back to the stop and engage the slide catch lever (8). The round is ejected and the slide is locked open.



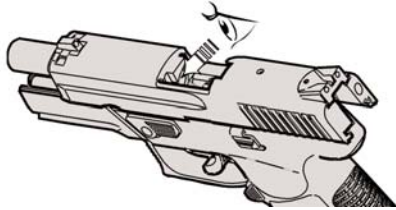
4. Visually and manually check the chamber to ensure the pistol is completely free of ammunition.



5. Depress the slide catch lever, causing the slide to close.
6. Unload the magazine.

5.2. Unloading the Pistol, Magazine Empty, Slide Open

1. Keep the muzzle pointed in a safe direction.
2. Depress the magazine catch and remove the magazine.
3. Visually and manually check the chamber to ensure the pistol is completely free of ammunition.



4. Depress the slide catch lever (8), causing the slide (24) to close.



Always make sure the muzzle is pointed in a safe direction!
Remember to clear the chamber after the magazine has been removed.

Never assume that any gun is unloaded until you have personally checked it, visually and physically!

After every shooting practice, make a final check to be certain the firearm is unloaded before leaving the range.



WARNING - UNLOADING



Removing cartridges from the magazine does not prevent the pistol from being fired! When there is a cartridge in the chamber the cartridge will discharge if the trigger is pulled. It is absolutely essential for the user to know how to completely unload the pistol.

“Completely” means emptying the magazine and removing a chambered cartridge.

**PISTOL WILL FIRE WITH
MAGAZINE, EMPTY OR REMOVED**

6.0. Procedures in Case of Malfunction (“Jam”)

Firearms work reliably if properly maintained. If there is a malfunction during firing, here's what to do:

1. Keep the pistol pointed in a safe direction with your finger off the trigger.
2. Remove and secure the magazine.
3. Move the slide rearward and forward to clear any cartridge case in or near the chamber.
4. If you suspect that a bullet is lodged in the bore, field strip your pistol and check to see if the barrel is blocked. If there is a bullet lodged in the bore, return the pistol to SIG SAUER (see section 11.3 “Shipping Firearms for Repair” on page 47).

Follow the above procedures if:

- You notice that a cartridge is difficult to chamber, or
- A cartridge does not go off, or
- The mechanism fails to extract a fired cartridge case, or
- You discover unburned grains of propellant powder spilled in the mechanism, or
- A shot sounds or feels weak or abnormal.

WARNING

IF A BULLET IS IN THE BORE, DO NOT ATTEMPT TO SHOOT IT OUT BY USING ANOTHER CARTRIDGE, OR BY BLOWING IT OUT WITH A BLANK OR A CARTRIDGE FROM WHICH THE BULLET HAS BEEN REMOVED. THIS CAN GENERATE EXCESSIVE PRESSURE, DAMAGE THE FIREARM AND CAUSE SERIOUS PERSONAL INJURY OR DEATH

6.1. Troubleshooting Guide

Malfunction	Cause	Correction
Feed: No round fed into the chamber	Magazine not properly inserted or magazine is deformed or dirty	Insert magazine properly or change magazine
Slide does not close easily or completely	Pistol or cartridge is fouled (dirty) or pistol is too heavily lubricated	Clean and lubricate pistol and /or replace the ammunition
	Incorrect ammunition	Replace ammunition
	Pistol requires service	Return to SIG SAUER
Extraction/Ejection: After firing, the case stays in the chamber or is jammed in the ejection port	Insufficient recoil due to dirt	Clean and lubricate the pistol
	Light hold or limp wrist	Solid grip, rigid hold
	Low powered ammunition	Change ammunition
	Pistol requires service	Return to SIG SAUER
Ignition: Hammer drops but round does not fire	Firing pin obstructed	Inspect, clean and lubricate the pistol
	Faulty ammunition	Manually cycle in next round
	Pistol requires service	Return to SIG SAUER

CAUTION

If your pistol stops firing with a live round in the chamber of a hot barrel (a misfire or jam), remove the round immediately. If you cannot remove the round within 10 seconds, remove the magazine and wait at least 15 minutes with the pistol pointing in a safe direction. This way, neither the user nor any other person would be injured by the possibility of a round “cooking-off” (a round detonating due to the heat of the barrel). Keep your face away from the ejection port while clearing a hot chamber.

6.2. Minimize Malfunctions (“Jams”)

Malfunctions can largely be avoided by cleaning the pistol (see section 9.3 “Cleaning the Pistol” on page 39).

- After each firing session;
- Whenever a buildup of firing residue is suspected; or
- Whenever the pistol is exposed to extreme environmental conditions (rain, snow, freezing temperatures, etc.).

7.0. Pistol Adjustments

7.1. General Information

The P250 pistol is designed for both right-hand and left-hand operation and a variety of hand sizes. The slide catch lever can be operated from either side. The magazine catch may be repositioned to either side based on shooter preference. The grip module may be replaced by the shooter, providing a range of ergonomically correct grip configurations.



WARNING - ADJUSTMENTS

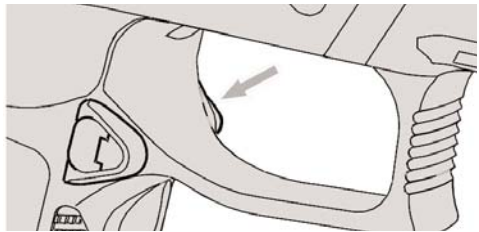


Verify the magazine is removed - visually and physically confirm the pistol and chamber are unloaded before attempting disassembly or performing any maintenance steps. Failure to ensure the firearm is unloaded could result in unintentional discharge, causing injury or death.

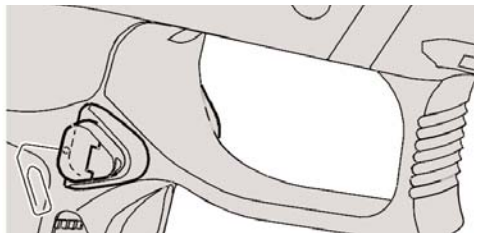
VERIFY THE FIREARM IS UNLOADED

7.2. Magazine Catch Removal

1. Depress the magazine catch until the back protrudes slightly from the opposite side and hold.



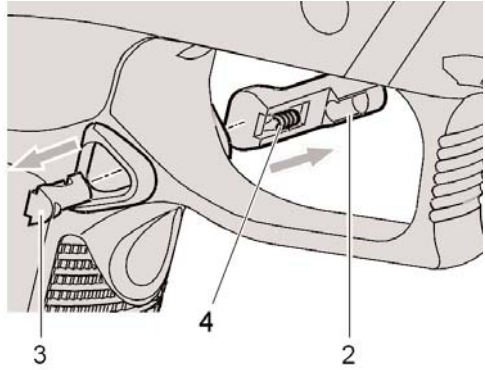
2. On the protruding side, press the straightened end of a paper clip into the hole on the back side of the magazine catch to release the magazine catch stop.



3. Remove the magazine catch stop (3).

4. Remove the magazine catch (2) and magazine catch spring (4), keeping the two pieces together.

5. Insert the magazine catch (2) and magazine catch spring (4) on the desired side of the pistol body.



6. Insert the magazine catch stop (3) from the opposite side until the magazine catch stop latch engages.

7.3. Changing the Grip Module

7.3.1. Disassembly

1. Remove the slide (24) but not the recoil spring & recoil spring guide (see section 9.1 “Pistol Disassembly” on page 35).

2. Pull out the takedown lever (5).

3. Push the frame assembly (7) forward.

4. Pull up on the frame rails (7a) while drawing the hammer (14) back to rotate the frame assembly out from the grip module (1).



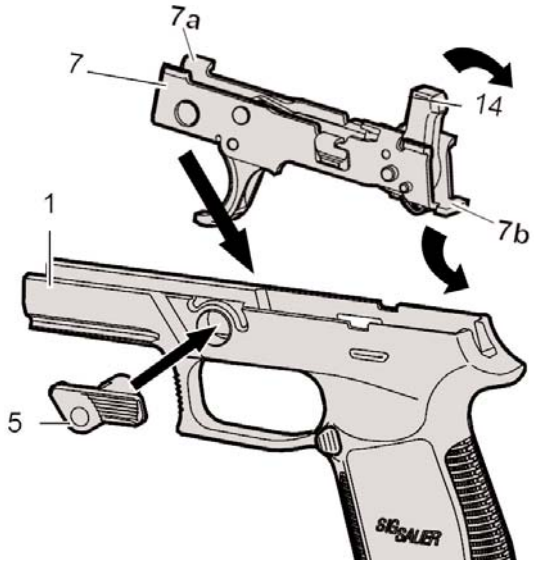
7.3.2. Assembly

1. Insert the frame assembly locking tab (7b) into the mating slot inside the rear of the grip module (1).

2. While drawing back on the hammer (14), press down on the frame rails (7a), rotating the frame assembly into position.

3. Insert the take down lever (5) through the corresponding hole on the left side of the grip module / frame assembly (1), locking the frame assembly in place.

4. Assemble the pistol (see section 9.4 “Pistol Assembly” on page 40).





WARNING - ALTERATION



This product was designed to function properly in its original condition. Alterations can make it unsafe. Do not alter any part or add or substitute any parts or accessories not manufactured by Sigarms, Inc. for this pistol.

DO NOT ALTER ANY GUN



WARNING - Disassembly



Do not attempt to disassemble your pistol beyond the point explained in this manual. This should only be done at the factory.

Some of the components require special skills, tools and fixtures for disassembly.

**DO NOT DISASSEMBLE
BEYOND INSTRUCTIONS**

8.0. Sights

8.1. General Information

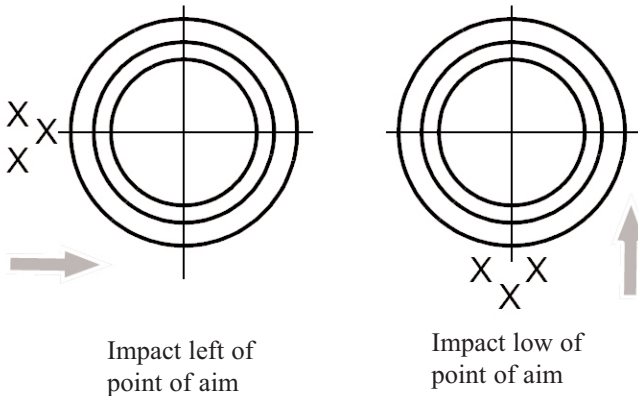
The P250 pistol is equipped with high contrast or SIGLITE™ Night Sights. The front sight is drift adjustable for windage. Both the front and rear sights are available in different heights, which allows for elevation adjustments.

CAUTION

Sight corrections should only be performed by someone with the necessary knowledge - the pistol could become damaged.

8.2. Windage (left / right) Adjustment

Adjust the point of impact left or right by moving the front sight in it's dovetail. Move the front sight in the direction of the impact - if the rounds impact left of target, move the front sight left to correct. If the rounds impact right of target, move the front sight right to correct. Moving the sight 0.02" changes the point of impact approximately 3" at 25 yards.



(**Note:** SIG SAUER has available a Sight Adjustment Tool which makes it easier to adjust and change sights.)

8.3. Elevation (up / down) Adjustment

There are different height combinations available for the front and rear sights. The sights are numbered according to their height. You can change elevation by changing either the rear or front sight. It's easier if you change the rear sight first.

There are three rear sight heights available (S, M, L). Each rear sight change will move the impact of the bullet approximately 6" at 25 yards.

There are six front sight heights available. Each front sight change will move the impact of the bullet approximately 1" at 25 yards.

When changing sights, remember this rule: **NUMBERS UP, GROUPS UP; NUMBERS DOWN, GROUPS DOWN.**

This is true for both front & rear sights (S=1, M=2, L=3).



WARNING - SIGHT ADJUSTMENT



Sight corrections should **ONLY** be performed on an unloaded firearm. Manipulating the sights on a loaded firearm could result in unintentional discharge, causing injury or death.

Visually and physically confirm the pistol is unloaded before making sight adjustments.

**DO NOT ADJUST THE SIGHTS
ON A LOADED FIREARM**

9.0. Maintenance



WARNING - MAINTENANCE



Verify the magazine is removed - visually and physically confirm the pistol is unloaded before attempting disassembly or performing any maintenance steps. Failure to ensure the firearm is unloaded could result in unintentional discharge, causing injury or death.

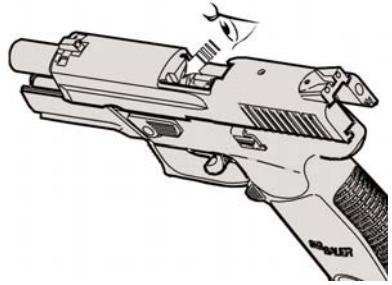
VERIFY THE FIREARM IS UNLOADED

9.1. Pistol Disassembly

1. Unload the pistol (see section 5.0 “Unloading the Pistol” on page 23).
2. Retract the slide (24) to the stop and lock open by engaging the slide catch lever (8).



3. Verify visually and physically there is no round in the chamber.



4. Rotate the takedown lever (5) clockwise fully until the stop.



5. Retract the slide (24) slightly to disengage the slide catch lever (8). Allow the slide to move forward in a controlled fashion.

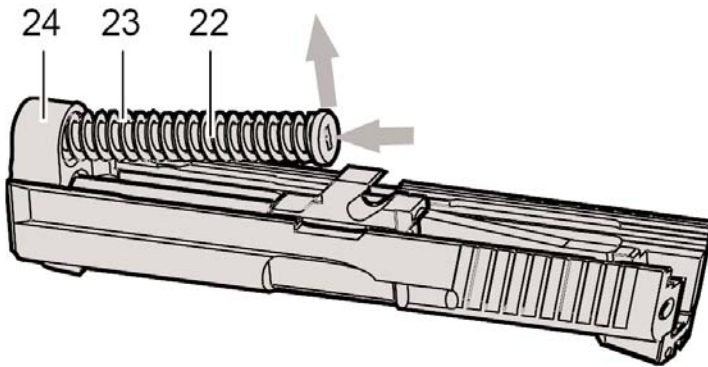


CAUTION

Slide is under spring tension. Maintain positive control during slide removal to prevent damage or injury. Wear eye protection.

6. Move the complete slide assembly (slide 24, barrel 21, recoil spring 23 and guide 22) forward and off the frame.

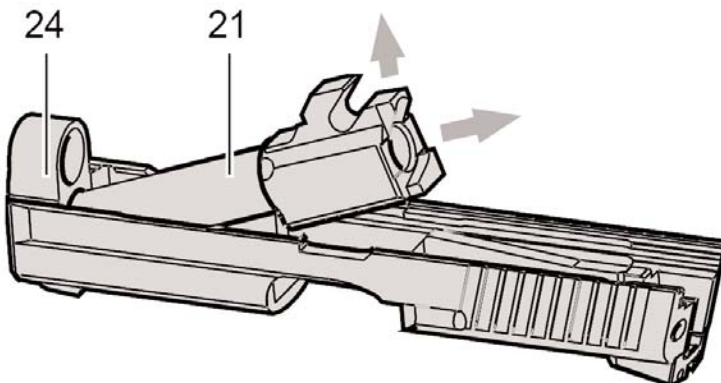
7. Push the recoil spring guide (22) forward slightly and lift from rear to remove the recoil spring (23) and guide from the slide (24).



CAUTION

The recoil spring and guide are under spring tension and not firmly attached to the slide. Use caution to prevent injury or damage to the pistol. Wear eye protection.

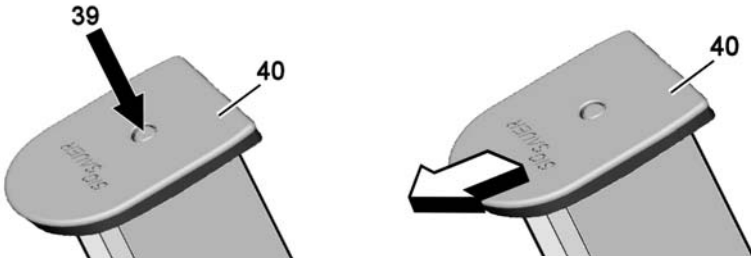
8. Remove the barrel (21) from the slide by pulling upwards slightly and to the rear.



This level of disassembly is sufficient to allow a thorough cleaning after shooting.

9.2. Magazine Disassembly

1. Locate the bottom of the magazine floorplate (40).
2. Using a punch, cleaning rod, or similar tool, depress the magazine insert (39) and push the magazine floorplate (40) forward until it is clear of the magazine tube (36).

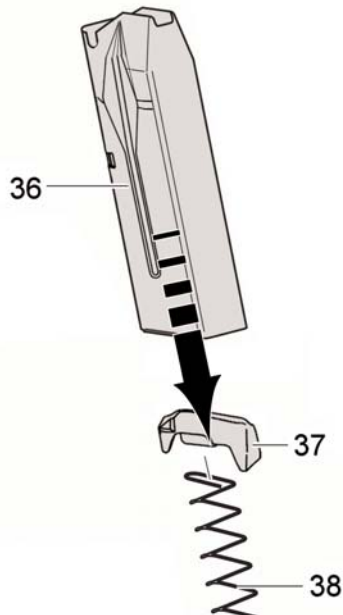


CAUTION

The magazine spring (38) is compressed. Guard the magazine insert and magazine spring with your thumb to control the release of magazine spring tension. Uncontrolled release can cause injury. Wear eye protection.

3. Remove the magazine follower (37) and magazine spring (38) from the magazine tube (36).

This level of disassembly is sufficient to allow a thorough cleaning after shooting.



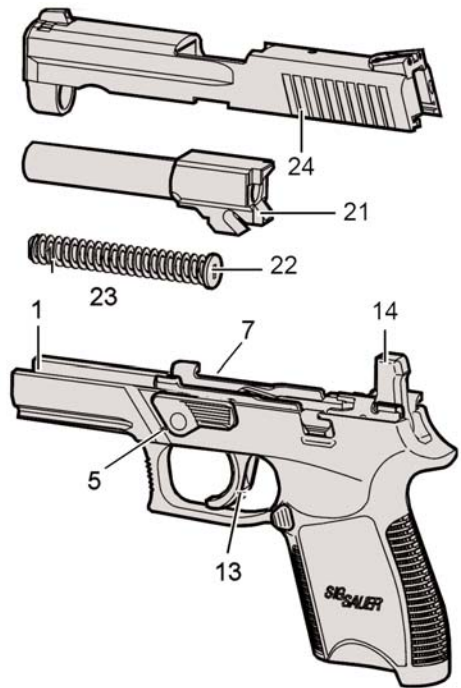
9.3. Cleaning the Pistol

CAUTION

Never clean the barrel (21) from the muzzle end; do not use a steel wire brush as it can damage the smooth surface of the barrel. Use a suitable cleaning rod and a brush of the correct caliber.

Solvents can be harmful to the surface finish of the pistol. Read and follow the manufacturer's warnings before using solvents or cleaners. Wear eye protection

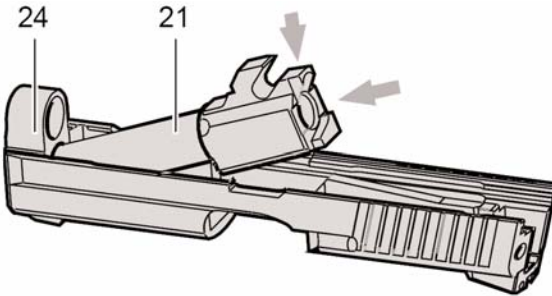
1. Lubricate the cleaning brush with gun oil and insert it into the barrel(21) via the chamber (opposite the muzzle end).
2. Wipe powder residues and oil from the barrel (21) bore and chamber with cleaning patches.
3. Clean exterior surfaces of the barrel (21) with a brush coated with gun oil.
4. Remove dirt from guides of the frame (7), inside and outside of slide (24), recoil spring guide (22) and recoil spring (23) with a brush or cleaning patch. Lightly lubricate same surfaces with a cloth impregnated with gun oil or gun grease.
5. Lightly oil bores of the barrel (21)and chamber. Remove any excess lubricant.



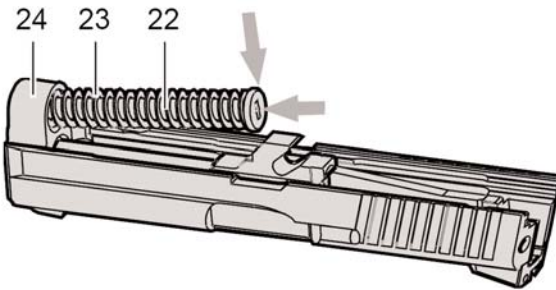
CAUTION: Avoid over lubrication of components.

9.4. Pistol Assembly

1. Verify the pistol is clear of all foreign matter.
2. Insert the barrel (21) into the slide (24).



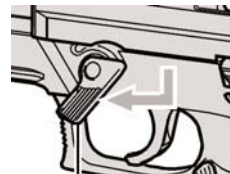
3. Insert the recoil spring guide assembly (22, 23) into the slide.



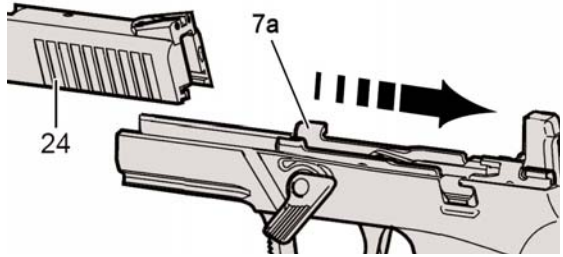
CAUTION

The recoil spring and guide are under spring tension and not firmly attached to the slide. Use caution to prevent injury or damage to the pistol. Wear eye protection.

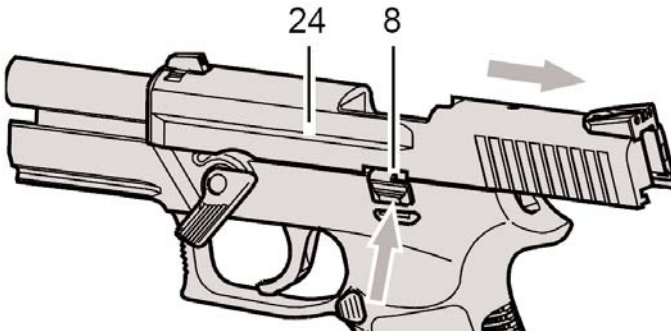
4. Insure the takedown lever (5) is rotated clockwise fully to the stop.



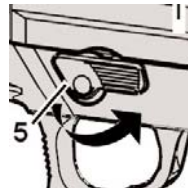
5. Guide the slide (24) onto the frame rails (7a) from the front.



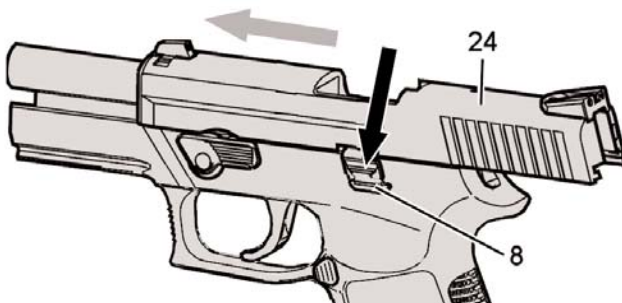
6. Retract the slide (24) fully to the rear. Engage the slide catch lever (8) to lock the slide in the open position.



7. Rotate the take down lever (5) counter-clockwise until horizontal.

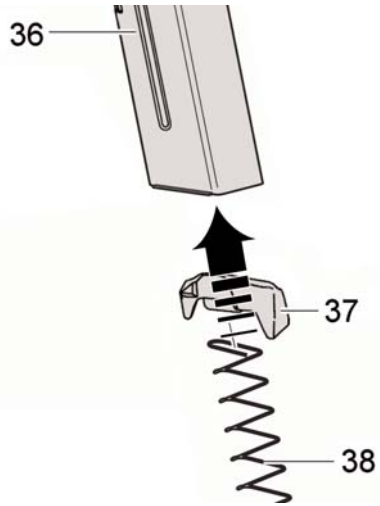


8. Depress the slide catch lever (8) to release the slide (24).



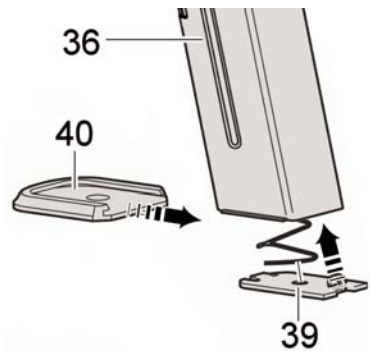
9.5. Magazine Assembly

1. Orient the magazine follower (37) on the magazine spring (38) and insert into the bottom of the magazine tube (36).



2. Insert the magazine spring fully into the magazine tube until the magazine insert (39) is flush with the magazine tube bottom.

3. Holding the magazine insert in place, slide the magazine floorplate (40) onto the magazine tube lips until the magazine floorplate is locked in place by the magazine insert.



CAUTION

The magazine spring (38) is being compressed during assembly. Guard the magazine insert and magazine spring with your thumb to control magazine spring tension. Uncontrolled release can cause injury. Wear eye protection.

9.6. Function Verification

The Function Check is performed on the assembled pistol to verify functionality. It should be performed after the completion of repairs and after each cleaning and assembly of the pistol.



WARNING - FUNCTION CHECK



Verify the magazine is removed and unloaded - visually and physically confirm the pistol and chamber are unloaded before performing function checks. Failure to ensure the firearm is unloaded could result in unintentional discharge, causing injury or death.

VERIFY THE FIREARM IS UNLOADED

1. Ensure the magazine is removed and the pistol is unloaded (see section 5.0 “Unloading the Pistol” on page 23).
2. Check recoil spring function / slide travel:
 - Retract the slide fully and release.
 - Verify the slide locks fully in the closed position.
 - Repeat the procedure.
3. Check the trigger mechanism:
 - Pull the trigger fully to the rear.
 - As the trigger is pulled rearward, verify the hammer cocks. At the end of trigger travel, the hammer should fall forward firmly

4. Check slide catch lever:

- Insert an empty magazine.
- Retract the slide fully and release.
- Verify the slide is locked to the rear by the slide catch lever.
- Depress the slide catch lever.
- Verify the slide is released and closes in the locked position.
- Remove the magazine.

5. Inspect the magazine:

- Check the condition of the magazine tube.
- Verify the magazine floorplate is secure.
- Check for free movement of the magazine follower and spring.
- Insert the magazine into the pistol and remove. Verify smooth insertion. Check the magazine catch for clean engagement and smooth release.

6. Inspect the pistol exterior.

- Inspect the general condition of the pistol.
- Check the sights, body, slide, and takedown lever for damage.
- Verify the front and rear sights are secure.



WARNING - INSPECTION



Never use a firearm or magazine that shows signs of damage or fails a function check. Verify the magazine is the correct model & caliber for the pistol. If the condition or function of the pistol or magazine is suspect, return the pistol or magazine to SIG SAUER for evaluation.

**VERIFY THE CONDITION
AND FUNCTION**

10.0. Transportation and Storage

When transporting your firearm to and from shooting activities, keep it unloaded for your safety and for the safety of others. When storing your firearm, keep it separated from ammunition, under lock and key if possible, and out of the reach of children and other inexperienced or unauthorized persons.



WARNING - STORAGE



Never place or store any firearm in such a manner that it may be dislodged. Firearms should always be stored securely and unloaded, away from children and other unauthorized users. Use the locking device originally supplied with this firearm for storage. The use of a locking device or safety lock is only one aspect of responsible firearms storage. For increased safety, firearms should be stored unloaded and locked in a location that is both separate from their ammunition and inaccessible to children and any other unauthorized person.

STORE SECURELY & UNLOADED

11.0. Service and Parts Policy

11.1. Parts Policy

Our Service Department maintains a full complement of replacement parts. Even though most gunsmiths have the knowledge, training, and the ability to make necessary repairs to your firearm, the skill and workmanship of any particular gunsmith is totally beyond our control.

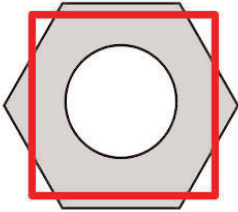
Should your firearm ever require service, we strongly recommend that you return it to SIG SAUER (see section 11.3 “Shipping Firearms for Repair” on page 47). A firearm is a precision instrument and some replacement parts will require individual fitting to ensure correct operation. A wrong part, improper fitting, or incorrect mechanical adjustment may result in an unsafe condition or dangerous malfunction, damage to the firearm, or cause possible serious injury to the shooter or others.

IF ANY PART IS ORDERED WITHOUT RETURNING THE FIREARM TO SIG SAUER., the customer bears full responsibility for ensuring that the part supplied is correct for their particular firearm and is properly installed and fitted by a qualified gunsmith.

SIG SAUER CANNOT BE RESPONSIBLE FOR THE FUNCTIONING OF ANY FIREARM IN WHICH REPLACEMENT PARTS ARE INSTALLED BY OTHERS.



WARNING - PARTS PURCHASERS



It is the purchaser's responsibility to be absolutely certain that any parts ordered from the factory are correctly fitted and installed. Firearms are complicated mechanisms and **IMPROPER FITTING OF PARTS MAY RESULT IN A DANGEROUS MALFUNCTION, DAMAGE TO THE FIREARM, AND SERIOUS INJURY TO THE SHOOTER AND OTHER PERSONS.** The purchaser and installer of parts must accept full responsibility for the correct adjustment and functioning of the firearm after such installation.

PARTS MUST FIT CORRECTLY

11.2. Service Policy

If you have questions concerning the performance or servicing of your firearm, please write or call:

SIG SAUER, Inc.

Attention: Customer Service

18 Industrial Drive Exeter, NH 03833

Phone: (603) 772-2302

Fax: (603) 772-9082

IF YOU DO NOT UNDERSTAND THE INSTRUCTIONS FOR OPERATING YOUR PISTOL, IT IS YOUR RESPONSIBILITY TO CALL OUR CUSTOMER SERVICE DEPARTMENT AT (603) 772-2302 BEFORE USING YOUR FIREARM.

11.3. Shipping Firearms for Repair

In the event you need to return your firearm to the SIG SAUER Service Department, here's what to do:

1. The first step is to contact Customer Service at (603) 772-2302 for an RMA number. This number allows SIG SAUER to track the status of your return from its receipt at SIG SAUER through its return to you. **Please do not send your firearm until you obtain an RMA number.**
2. Make sure that the chamber and magazine(s) are unloaded and that no ammunition is included with your returned firearm.
3. Package the firearm securely to prevent damage. Enclose a letter which includes your name, street address, daytime phone number, model and serial number, and a detailed description of the problem you have experienced or the work you want performed. With the exception of extra magazines, do not include scopes, mounts, or other accessories.
4. Generally, an individual may ship firearms to the manufacturer for repair or service. Some states and localities, however, prohibit this. If you live in such an area, the firearms must be shipped by and returned to a Federally Licensed Firearms Dealer.
5. Federal law prohibits persons who do not possess a Federal Firearms License from shipping a firearm via the U.S. Postal Service. (Note: any shipment of firearms outside U.S. borders is subject to the export laws of the United States and to the valid laws of the specific country, which you must strictly follow; prior to exporting any firearm you should seek legal counsel.)
6. SIG SAUER is not responsible for any firearm until it is received, nor for damage incurred during shipment.

7. Ship your firearms insured and prepaid (we do not accept collect shipments) to:

SIG SAUER, Inc.
Attention: Service Department
18 Industrial Drive Exeter, NH 03833

Don't forget to write your RMA number on the package.

This instruction manual should always accompany this pistol and be transferred with it upon change of ownership.



WARNING - SHIPPING



Before shipping any firearm, be absolutely certain that the firearm and it's magazines are unloaded.

DO NOT ship ammunition with a firearm. Failure to follow this warning could result in unintentional discharge, causing injury or death.

**VERIFY THE FIREARM
IS UNLOADED**

11.4. Ordering Parts

In the event you want to order parts for your firearm, contact Customer Service at (603) 772-2302.

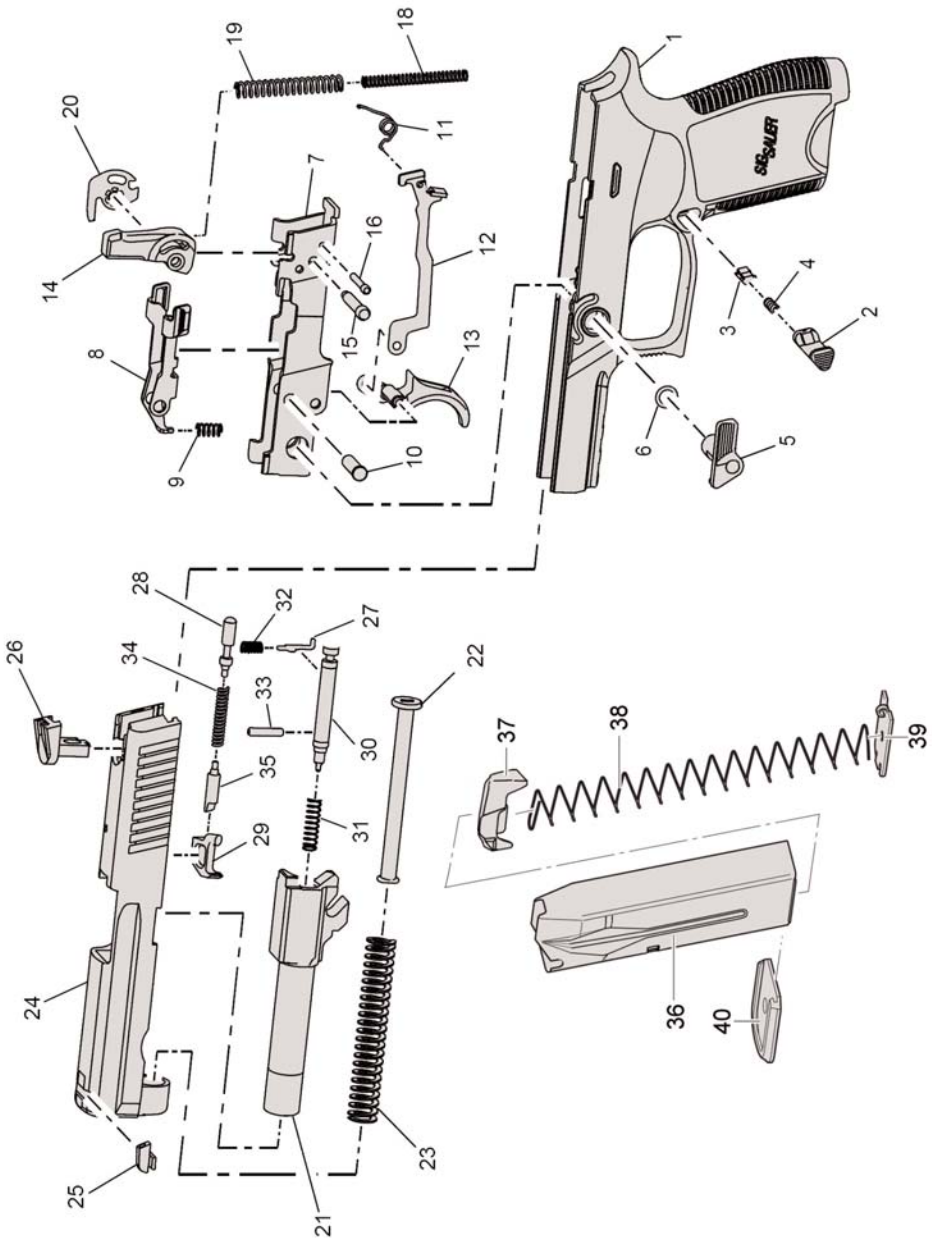
Have available the serial number of your firearm and the part diagram number for the part(s) you wish to order. A parts list and diagram of the pistol is provided in sections 12.0 and 12.1.

Please refer to the Service & Parts Policy on pages 45 - 46.

12.0. Parts List

Item	Description	Item	Description
1	Grip Module (body)	23	Recoil Spring
2	Magazine Catch	24	Slide
3	Magazine Catch Stop	25	Front Sight
4	Magazine Catch Spring	26	Rear Sight
5	Takedown Lever	27	Safety Lock
6	O-ring	28	Rear Extractor Spring Guide
7	Frame	29	Extractor
8	Slide Catch Lever	30	Firing Pin
9	Slide Catch Lever Spring	31	Firing Pin Spring
10	Slide Catch Lever Pin	32	Safety Lock Spring
11	Trigger Bar Spring	33	Spring Pin
12	Trigger Bar	34	Extractor Spring
13	Trigger	35	Front Extractor Spring Guide
14	Hammer	36	Magazine Tube
15	Hammer Pivot Pin	37	Magazine Follower
16	Hammer Strut Pin	38	Magazine Spring
18	Small Mainspring	39	Magazine Insert
19	Large Mainspring	40	Magazine Floorplate
20	Safety Lever		
21	Barrel		
22	Recoil Spring guide		

12.1. Parts Diagram



THE BASIC RULES OF SAFE FIREARMS HANDLING

1. **ALWAYS** treat every gun as if it were loaded.
2. **ALWAYS** be sure the barrel is clear of any obstruction.
3. **ALWAYS** be sure of your backstop, what lies beyond, and the safety of bystanders before you shoot.
4. **ALWAYS** use clean, dry, original factory-made ammunition of the proper type and caliber for your gun.
5. **ALWAYS** wear ear protection and safety glasses when shooting.
6. **ALWAYS** carry your gun so that you can control the direction of the muzzle if you fall or stumble.
7. **NEVER** shoot at a flat surface or water.
8. **DO NOT** leave an unattended gun loaded. Guns and ammunition should be stored separately, locked if possible, beyond the reach of children, careless adults, and unauthorized users.
9. **NEVER** allow your firearm to be used by anyone who has not read and understood this operator's manual.
10. **DO NOT** point any gun, loaded or unloaded, at any undesired target.
11. **NEVER** fire your rifle near an animal unless it is trained to accept the noise: an animal's startled reaction could injure it or cause an accident.
12. **NEVER** drink alcoholic beverages or take drugs before or during shooting, as your vision and judgment could be seriously impaired, making your gun handling unsafe.

WARRANTY INFORMATION

Based on the Magnuson-Moss Warranty Act, SIG SAUER, Inc. offers no express warranty on their product line. However, SIG SAUER, Inc. recognizes its obligations concerning service to owners of SIG SAUER products. SIG SAUER, Inc. stands behind its products and will continue to provide service for its product line as they have over the years. SIG SAUER, Inc. products will be serviced for a period of one year from date of retail purchase, for defects in materials or workmanship, at no charge to the purchaser. Be sure to retain your sales slip as proof of purchase date when making a claim.



SIG SAUER®



SIG SAUER®
To-Hell-And-Back Reliability™

**IMPORTANT:
DO NOT DISCARD. KEEP
THIS MANUAL WITH YOUR
FIREARM. UPON CHANGE
OF OWNERSHIP,
TRANSFER THIS MANUAL
WITH THE FIREARM.**

*Be aware of those around you.
If their actions are not in
keeping with safe gun
handling procedures, TELL THEM.*

**SIG SAUER, Inc.
18 Industrial Drive
Exeter, NH 03833
www.sigsauer.com**

An ISO 9001:2000 Certified Company
Manufacturing in Exeter, New Hampshire

SIG SAUER, SIGLITE, NITRON AND DAK ARE TRADEMARKS OR REGISTERED TRADEMARKS OF SIG SAUER, INC.
ALL SPECIFICATIONS ARE SUBJECT TO CHANGE WITHOUT NOTICE.
P/N OM-P250-USA VER 07.07.1 ©2007 SIG SAUER