



# TAURUS®

## REVOLVERS INSTRUCTION MANUAL



### General Safety, Operating Instructions and Limited Warranty

**READ CAREFULLY BEFORE  
USING YOUR FIREARM**

**Important: Keep this manual with your  
firearm.**

The information contained in this manual is useful, both for beginners and experienced shooters. In addition to important information about functioning, cleaning and care of the gun, the manual contains instructions that may be very helpful in shooting properly.

The most important rule of safe gun handling is always keep the muzzle pointed in a safe direction!

 **ATTENTION**

**THIS BOOKLET**

The safety warnings in this booklet are important. By understanding the dangers inherent in the use of any firearm, and by taking the precautions described herein, you can enjoy complete safety in the use of your Taurus firearm. Failure to heed any of these warnings may result in serious injury to you or others, as well as severe damage to the firearm or other property.

## CONTENTS

1. Safety precautions	Page 04
2. Ammunition	Page 08
3. Taurus Security System	Page 12
4. Revolver Operation	Page 13
5. Care and maintenance	Page 16
6. Exploded view	Page 17
Parts list	Page 26
7. Taurus Limited Warranty	Page 27
8. Taurus Service Policy	Page 28



## SAFETY PRECAUTIONS

### DANGEROUS WEAPONS

REVOLVERS, PISTOLS and RIFLES are classified as FIREARMS or DANGEROUS WEAPONS and are sold by us with the specific understanding that we are not responsible in any manner whatsoever for their improper or negligent handling or resale under local laws and regulations.

TAURUS shall not be responsible in any manner whatsoever for malfunctioning of the firearm, or for physical injury or property damage, resulting in whole or in part from (1) criminal or negligent discharge, (2) improper or careless handling, (3) unauthorized modifications, (4) defective, improper hand-loaded, or reloaded ammunition, (5) neglect, or (6) other influences beyond our direct and immediate control. This limitation applies regardless of whether liability is asserted on the basis of contract, negligence or strict liability (including any failure to warn). Under no circumstance shall Taurus be liable for incidental or consequential damages, such as loss of use of property, commercial loss and loss of earnings or profits.

### SAFETY WARNINGS - NOT JUST FOR BEGINNERS

Regardless of your familiarity or experience with firearms, you need to study this manual.

The safe handling of firearms requires specialized training, discipline and caution. Firearms, by their nature and intended function, are deadly instruments. Accidental death or serious injury can result if they are handled improperly or carelessly.

Firearms rarely cause accidents. Firearms accidents almost always are caused by a failure to obey the basic rules of gun safety. Unfortunately, experienced shooters seem to violate these rules as frequently as beginners. Thus the basics of safe firearms handling cannot be repeated too often.

Read, re-read and practice the basic principles of firearms safety until they become second nature: habits that you don't forget.

If you have any question about your knowledge or ability to use this or any other firearm with complete safety you should seek supervised instruction.

Personalized instruction is often available from firearms dealers, gun clubs, state hunter safety programs or police departments in the United States. If none of these sources is accessible, write to the National Rifle Association, 11250 Waples Mill Road, Fairfax, VA 22030 or at [www.nra.org](http://www.nra.org).

THEY WILL ASSIST YOU.

A person with a firearm in his possession has a full-time responsibility. He must KNOW how to keep and use his firearm safely, and then must always TAKE the precautions necessary -all of them. He cannot guess; he cannot forget. This responsibility is his alone. It cannot be passed off to someone else.

Remember: no firearm can be made accident-proof. A firearm is just a machine, with no judgement of its own. It responds to your actions, whether wise or foolish. The only truly effective safety device is the mind of a cautious shooter who never forgets that a moment's carelessness can produce permanent tragedy.

**04** ALWAYS KEEP THE MUZZLE POINTED IN A SAFE DIRECTION

## FIREARMS ARE NOT ALL ALIKE

Many makes and models of firearms might LOOK nearly the same. However, they differ widely in design and operation, and in the location and function of various controls.

**Study this manual thoroughly. Educate yourself on the characteristics and operation of your particular firearm before attempting to handle it. Do not permit others to handle it - unless they also have done so. You should have an instruction manual for every firearm you own. If you do not, write the manufacturer and obtain one. Most manufacturers will gladly send you one free. If for any reason a manual is not available, visit your public library. Many books have been published which contain detailed information on obsolete or discontinued firearms.**

Your knowledge can prevent injuries.

Taurus firearms are designed and made to offer maximum safety when correctly used. However, as with any other firearm, it is not foolproof, and may become very dangerous if the following basic recommendations are not RIGIDLY observed:

### ATTENTION

1. **DANGER:** Never, never-ever point any firearm, loaded or unloaded, at anything you do not intend to shoot.
2. **WARNING:** Always treat every firearm as if it were loaded.
3. **NOTICE:** Get instruction from a competent firearms instructor before using any firearm.
4. **SAFETY FIRST:** The safety is only a mechanical device, not a substitute for common sense.
5. **WARNING:** Keep your finger off the trigger until you are actually aiming at the target ready to shoot.
6. **WARNING:** Be certain that the firearm is unloaded before cleaning.
7. **WARNING:** Always empty firearms before entering a place where there are people.
8. **SAFETY FIRST:** Never leave a loaded firearm unattended.
9. **SAFETY FIRST:** Store firearms and ammunition separately beyond the reach of children.
10. **WARNING:** Don't test the safety by pulling the trigger while the safety is on unless you are absolutely sure the firearm is empty and you are pointing away from everyone.
11. **SAFETY FIRST:** Be sure of your target and backstop before you shoot.
12. **WARNING:** Firearms and alcohol or drugs don't mix. Do not shoot or handle firearms after consuming beer, wine, other alcoholic beverages or any medications or other drugs that may affect your ability.

13. **WARNING:** Never pull a firearm towards you by the muzzle. Don't climb a tree or cross a fence with a loaded firearm.
14. **DANGER:** Load and unload with the muzzle pointed in a safe direction.
15. **SAFETY FIRST:** If a firearm fails to fire when the trigger is pulled, keep it pointed at the target for at least 30 seconds. Sometimes slow primer ignition will cause a "hang" fire and the cartridge will go off after a short pause.
16. **SAFETY FIRST:** Never shoot at hard flat surfaces or water, bullet may ricochet.
17. **DANGER:** When receiving a firearm always check that it is unloaded (Pistols: Remove magazine and open slide to check if chamber is empty. Revolvers: Open cylinder to check if it is empty), even if you saw it done previously.
18. **DANGER:** Never put your hand over the muzzle of a firearm.
19. **DANGER:** Check ammunition to be sure it is the right size and caliber, and that it is not dented.
20. **SAFETY FIRST:** Use a proper holster and draw only if you intend to shoot.
21. **NOTICE:** Never cock the firearm until you are ready to shoot.
22. **SAFETY FIRST:** Dry firing is bad for this firearm, whether the hammer block is engaged or not.
23. **DANGER:** WHILE HANDLING ANY FIREARM, NEVER ALLOW IT TO POINT AT ANY PART OF YOUR BODY OR AT ANOTHER PERSON. NO HARM SHOULD RESULT IF YOU OBEY THIS RULE, EVEN IF AN ACCIDENTAL DISCHARGE OCCURS.
24. **CAUTION:** If there is any reason to suspect that a bullet is obstructing the barrel, immediately unload the firearm and look through the bore. It is not sufficient to merely look in the chamber.
25. **SAFETY FIRST:** Treat this firearm as a precision instrument.
26. **WARNING:** Old or reloaded ammunition may be dangerous. We recommend against using it.
27. **WARNING:** Never carry any handgun in your pocket, purse or waistband. Use a pistol case or proper holster with safety flap or strap.
28. **DANGER:** Don't try to change your firearm's trigger pull, because alteration of trigger pull usually affects sear engagement and may cause accidental discharge.
29. **SAFETY FIRST:** Write to us concerning any items or circumstances which might relate to your safety and the operation of our products.
30. **DANGER:** Never engage a gun lock on a loaded firearm.

## PROTECT YOUR EYES AND EARS

### WARNING

Taurus revolvers were manufactured to perform properly with the original parts as designed. It is your duty to make sure any parts you buy are installed correctly and that neither replacements nor originals are altered or changed. Your gun is a complex tool with many parts that must relate correctly to other parts. Putting a gun together wrong or with modified parts can result in a damaged gun, danger and injury or death to you and others through malfunction.

Always have a qualified gunsmith work on your gun.

### DANGER

Always wear adequate shooting glasses and ear plugs or "ear muff" type protectors whenever you are shooting. Always make certain that persons close to you are similarly protected.

Unprotected eyes may be injured by powder, gas, carbon residue, lubricant, metallic particles or similar debris which may emanate occasionally from any firearm in normal use.

Without ear protection, repeated exposure to shooting noise will lead to cumulative, permanent hearing loss.



## WARNING

### AMMUNITION

1. Use only high quality, original, factory-manufactured ammunition. Do not use cartridges that are dirty, wet, corroded, bent or damaged. Do not oil cartridges. Do not spray aerosol-type lubricants, preservatives, or cleaners directly onto cartridges or where excess spray may flow into contact with cartridges. Lubricant or other foreign matter on cartridges can cause potentially dangerous ammunition malfunctions. Use only ammunition of the caliber for which your firearm is chambered. The proper caliber is permanently engraved on your firearm; never attempt to use ammunition of any other caliber.

2. The use of reloaded, "remanufactured", hand-loaded, or other nonstandard ammunition voids all warranties. Improperly loaded ammunition voids all warranties. Improperly loaded ammunition can be extremely dangerous. Severe damage to the firearm and serious injury to the shooter or to others may result. Always use ammunition that complies with the industry performance standards established by the Sporting Arms and Ammunition Manufacturers Institute, Inc., of the United States, (SAAMI) or the equivalent from other countries (i.e. C.I.P.).

3. Firearms may be severely damaged and serious injury to the shooter or to others may result from any condition causing excessive pressure inside the chamber or barrel during firing. Excessive pressure can be caused by obstructions in the barrel, propellant powder overloads, or by the use of incorrect cartridges or defectively assembled cartridges. In addition, the use of a dirty, corroded, or damaged cartridge can lead to a burst cartridge case and consequent damage to the firearm and personal injury from the sudden escape of high-pressure propellant gas within the firearm's mechanism.

4. Immediately stop shooting and check the barrel for a possible obstruction whenever:

- You have difficulty in, or feel unusual resistance in, chambering a cartridge, or
- A cartridge misfires (does not go off), or
- The mechanism fails to extract a fired cartridge case, or
- Unburned grains of propellant powder are discovered spilled in mechanism, or
- A shot sounds weak or abnormal.

In such cases it is possible that a bullet is lodged part way down the barrel. Firing a subsequent bullet into the obstructed barrel can wreck the firearm and cause serious injury to the shooter or to bystanders.

5. Bullets can become lodged in the barrel.

- If the cartridge has been improperly loaded without propellant powder, or if the powder fails to ignite (Ignition of the cartridge primer alone will push the bullet out the cartridge case, but usually does not generate sufficient energy to expel the bullet completely from the barrel).
- If the bullet is not properly seated tightly in the cartridge case.

When such a cartridge is extracted from the chamber without being fired, the bullet may be left behind in the bore at the point where the rifling begins. Subsequent chambering of another cartridge may push the first bullet further into the bore.

6. If there is any reason to suspect that a bullet is obstructing the barrel, immediately unload the firearm and look through the bore. It is not sufficient to merely look in the chamber. A bullet may be lodged some distance down the barrel where it can not easily be seen.

IF A BULLET IS IN THE BORE, DO NOT ATTEMPT TO SHOOT IT OUT BY USING ANOTHER CARTRIDGE, OR BY BLOWING IT OUT WITH A BLANK OR ONE FROM WHICH THE BULLET HAS BEEN REMOVED. SUCH TECHNIQUES CAN GENERATE EXCESSIVE PRESSURE, WRECK THE FIREARM AND CAUSE SERIOUS PERSONAL INJURY.

If the bullet can be removed with a cleaning rod, clean any unburned powder grains from



the bore, chamber, and mechanism before resuming shooting. If the bullet cannot be dislodged by tapping it with a cleaning rod, take the firearm to a gunsmith.

**7.** Dirt, corrosion, or other foreign matter on a cartridge can impede complete chambering and may cause the cartridge case to burst upon firing. The same is true of cartridges which are damaged or deformed.

**8.** Do not oil cartridges, and be sure to wipe the chamber clean of any oil or preservative before commencing to shoot. Oil interferes with the friction between cartridge case and chamber wall that is necessary for safe functioning, and subjects the firearm to stress similar to that imposed by excessive pressure.

**9.** Use lubricants sparingly on the moving parts of your firearm. Avoid excessive spraying of any aerosol firearm care product, especially where it may get on ammunition. All lubricants and aerosol spray lubricants in particular, can penetrate cartridge primers and cause misfires. Some highly penetrative lubricants can also migrate inside cartridge cases and cause deterioration of the propellant powder; on firing, the powder may not ignite. If only the primer ignites, there is danger that the bullet may become lodged in the barrel.

Taurus revolvers were designed to use cartridges loaded to the limits shown below. Other cartridges of various types or bullet weights may or may not function acceptably; such ammunition should be thoroughly tested by the user before relying on it. Because of the widely differing specifications of such other ammunition, Taurus cannot be responsible for malfunctions resulting from its use.

**CAUTION**

Discharging firearms in poorly ventilated areas, cleaning firearms, or handling ammunition may result in exposure to lead and other substances known to cause birth defects, reproductive harm, and other serious physical injury. Have adequate ventilation at all times. Wash hands thoroughly after exposure.

**NOTICE:**

You can use .38 Special ammunition in all Taurus revolver chambered for .357 Magnum; .44 Special ammunition in Taurus revolvers chambered for .44 Magnum and .45 Long Colt in Taurus revolvers chambered for .454 Casull. It is important to note that these are the only caliber substitutions that will function. Attempting to substitute other calibers can damage your firearm and may result in accidental death or serious injury.

**NOTICE:**

The Taurus .357 Magnum Total Titanium Revolvers (Models 617 and 627) have been extensively tested with various .357 Magnum cartridges. We have determined that .357 Magnum cartridges which utilize bullet weights of at least 125 grains are perfectly suitable to be fired in your revolver.

**NOTICE:**

**.357 Magnum cartridges with bullet weights of less than 125 grains have resulted in cylinder face erosion and should not be utilized in your Total Titanium revolver.**

**WARNING**

Securing your firearm may inhibit access to it in a defense situation and result in injury or death.

**WARNING**

To prevent injury or death, it is imperative that you must keep your gun unloaded, uncocked, and securely locked, with ammunition in a separate location. In addition, take any other reasonable steps to limit the possibility of theft, accident, or suicide.

**WARNING**

Failure to properly secure a firearm may result in injury or death.

**WARNING concerning ammunition marked “+P” and “+P+”.** Recently there have been many developments by ammunition manufacturers and reloaders, not all of them good. It seems some ammunition manufacturers and reloaders are in a horsepower race to see who can develop the most case pressure and muzzle velocity with little regard for practicality or safety. Some of these loads exceed common sense and can virtually tear metal apart. Taurus Firearms rated for “+P” ammunition are rated for Sporting Arms and Ammunition Manufacturers Institute (SAAMI) compliant “+P” ammunition. **SAAMI does not recognize any “+P+” ammunition at all. It is DANGEROUS to fire “+P+” ammunition in any Taurus firearm and if you do so you may be seriously injured or killed.**

In addition, it seems some ammunition marked “+P” is not SAAMI compliant either. **There are only four calibers that can carry a “+P” rating from SAAMI.** They are 38 Special +P, 9mm Luger +P, 38 Super Automatic and 45 Automatic +P. **There are no other SAAMI approved “+P” loads.** Any ammunition in any other caliber marked “+P” is not SAAMI compliant, may be dangerous and should not be used. Whenever you are buying “+P” ammunition, look for a notation on the box that states that the ammunition is SAAMI compliant!

DANGER for “+P+”

**Never use “Plus -P -Plus” (+P+) rated ammunition in any Taurus firearm.** The Sporting Arms and Ammunition Manufacturers Institute (SAAMI) does not recognize such ratings and such ammunition can be very dangerous. Firing such ammunition can cause catastrophic failure in firearms resulting in serious bodily injury or death.

**WARNING for “+P”**

Only fire SAAMI rated Plus P (“+P”) ammunition in Taurus Models designated by Taurus for +P use. Firing +P ammunition in other Taurus products may be dangerous and can result in serious bodily injury or death. Those Models are:

Model 85 small frame revolver in 38 Special.

Model 850 small frame revolver in 38 Special.

Model 851 small frame revolver in 38 Special.

Model 85 Polymer small frame revolver in 38 Special.

Model 82 medium frame revolver in 38 Special.

Model 817 medium frame revolver in 38 Special.

All firearms chambered in 38 Super Automatic.

All firearms chambered in 45 Automatic. (ACP)

All firearms chambered in 9mm Luger.

**WARNING**

Even if your Taurus firearm is rated for Plus-P (“+P”) ammunition, such ammunition generates pressures significantly in excess of the pressures associated with standard ammunition. Such pressures may affect the useful life of the firearm or exceed the margin of safety built into many firearms. Unless you need +P ammunition, do not use it, particularly for practice.

**10** ALWAYS KEEP THE MUZZLE POINTED IN A SAFE DIRECTION

## LOADING

1. **DANGER:** Always make sure the muzzle is pointed in a safe direction.
2. **SAFETY FIRST:** Never attempt to load or unload any firearm inside a vehicle, building or other confined space (except a properly constructed shooting range). Enclosed areas frequently do not offer a completely safe direction to point the firearm; if an accidental discharge occurs, there is a great risk of injury or property damage.
3. **SAFETY FIRST:** Before loading, always clean all grease and oil from the bore and chamber, and check to be certain that no obstruction is in the barrel. Any foreign matter in the barrel could result in a bulged or burst barrel or other damage to the firearm, and could cause serious injury to the shooter or to others.

## FIRING

1. **DANGER:** Keep the muzzle pointed in a safe direction and your finger away from the trigger when cocking any firearm.
2. **WARNING:** Never carry, handle or leave unattended any firearm which is cocked and ready to fire. When cocked, it will fire from slight pressure on the trigger. An accidental discharge could easily result if you fall or drop the firearm, or if the firearm is struck or disturbed by someone or something.
3. **WARNING:** Never fire any revolver with your finger, hand, face, or other part of your body over or adjacent to the cylinder gap between the cylinder face and the forcing cone. The release of excess gases and hot particles from that point are part of the normal operation of revolvers, and pose no safety hazard to the shooter if the firearm is held in a normal grip and fired at arm's length (in the case of a handgun) as intended by its design.
4. **CAUTION:** Never allow other persons to stand beside you where they might be struck by ejected particles or gases. These are hot, and may be ejected with sufficient force to cause a burn or cut or injury to an unprotected eye. Make certain there is a clear, unobstructed path for safe ejection of these gases and particles.
5. **DANGER:** If while shooting, your firearm develops ANY mechanical malfunction or binding, or "spits" powder or gas from the muzzle, or if a cartridge primer is punctured or a cartridge case is bulged or ruptured, or if the report on firing does not sound quite right, STOP SHOOTING IMMEDIATELY. It may be dangerous to continue. UNLOAD THE FIREARM. DO NOT try "one more shot". Take the firearm and ammunition to a gunsmith for examination.
6. **SAFETY FIRST:** While shooting any revolver, a cartridge case may occasionally become jammed against the breech face, impairing the ability of the cylinder to turn freely. Clear the jam as follows, WHILE KEEPING THE MUZZLE POINTED IN A SAFE DIRECTION AND THE FINGERS WELL CLEAR OF THE TRIGGER: push the cylinder release and attempt to open the cylinder. If the cylinder swings open, eject all cartridges and spent cases. Inspect the cartridges and the breech before resuming shooting. DO NOT REUSE THE EJECTED CARTRIDGES

## TAURUS SECURITY SYSTEM™

The Taurus Revolver is equipped with the exclusive “Taurus Security System.” The system is designed to preclude use of the revolver when the mechanism is engaged. It consists of an integral mechanism located in the frame or in the hammer (Fig.A).

When properly engaged by use of the key, it prevents the functioning of the revolver. The engagement of the mechanism can only be done utilizing a special key that fits the activation pin.

### Engagement (Secure)

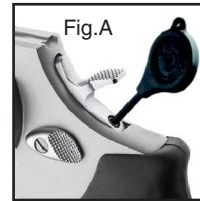
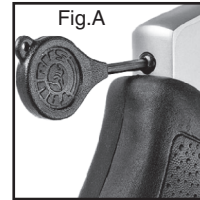
To engage the system, it is necessary to insert the key into the activation pin and turn it clockwise until a “click” is felt or heard (Fig.B). In this position, the revolver’s mechanism is locked and the pin protrudes above the surface of the frame or of the hammer(Fig. 1B)

### Disengagement (Ready-to-Fire)

To place the revolver in a firing condition, you must insert the key in the security mechanism pin and turn the key counter-clockwise (Fig.C). In this position the top of the pin is in the same plane with the hammer or frame surface (Fig. 1C). The revolver is now ready to fire.

### WARNING:

All handguns must be kept out of the reach of children or persons not authorized to use them. Ammunition should be kept separated from the handgun. Never fully rely on any safety or security mechanism. It is not a substitute for safe and cautious gun handling. No safety or security mechanism, however positive or well designed, should be totally trusted. Like all mechanical devices, the safety or security system is subject to breakage or malfunction and can be adversely affected by wear, abuse, dirt, corrosion, incorrect assembly, improper adjustment, repair, or lack of maintenance. Moreover, there is no such thing as a safety which is “childproof” or which can completely prevent accidental discharge from improper usage, carelessness or “horseplay”.



## REVOLVER OPERATION

The Taurus revolver has a swing out type cylinder with various numbers of chambers, turning around a central axis which allows you to fire (five, six, seven, eight or nine) shots. When the cylinder is locked in position, the revolver is ready for firing. The shots may be fired by single action (by cocking the hammer and thereafter, pulling the trigger) or by double action (by merely pulling the trigger). Concealed hammer models are double action only. Cocking the revolver in both single and double action causes the cylinder to advance, aligning in succession, each of the chambers with the barrel. The cadence of shooting is limited by the shooters skill in loading the cylinder and his ability in operating the gun.

### LOADING THE CYLINDER

With the thumb of the right hand, push the thumb piece forward and at the same time press the cylinder, swinging it out to the left. **ATTENTION:** On Model 30, Model 218, Model 416, Model 454, Model 444, Model 45, Model 513 and Model 513UL using the left thumb, press down the front latch simultaneously. Holding the gun with the muzzle pointing downward and the cylinder in its outermost position insert the cartridges.

Once loaded, the cylinder must be closed again to its original position in the frame. After this the locking must be checked. To unload the revolver, the process is the same as to load it, but after opening, the barrel is pointed upward.

Cartridges are then ejected by pressing sharply on the extractor rod. Be sure that all fired cartridges are ejected. The cylinder is now ready to be reloaded.

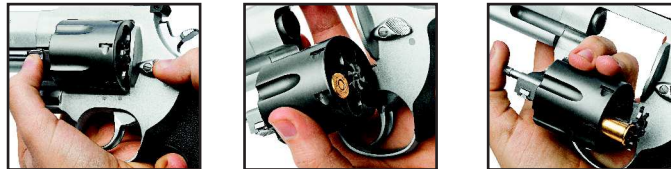
### TAURUS STELLAR CLIP

Certain models of Taurus Revolvers utilize the Taurus Stellar Clip to hold "rimless" cartridges in place in the cylinder. The Stellar Clip must be loaded with fresh cartridges and placed into the revolver cylinder as a unit. To load cartridges, grasp the cartridge by the bullet end and gently push the cartridge into the clip. Repeat until all cartridge slots are filled.

**WARNING:** The Stellar Clip, when loaded, should be treated the same as ammunition. Do not throw, drop or toss a loaded Stellar Clip.

To remove the spent cases, keep the muzzle pointed in a safe direction and open the cylinder. Use the ejector rod to push the cases and clip. Remove the clip from the cylinder and remove the cases from the clip.

**CAUTION:** The spent cases will be hot and may have sharp edges. Exercise caution when removing the cases or injury may occur.



### CHANGING THE CYLINDER

The model 992, has two cylinders, one for the .22LR caliber, and other for the .22 Mag. The exchange can be done easily according to user needs. For that, follow the instructions below.

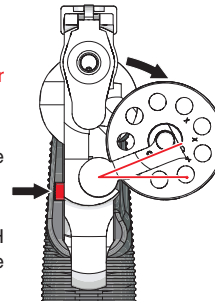
**NOTE:** For removal and placement, do not open the cylinder completely. Keep the opening angle according to the figure.

#### Removal

Keeping open the cylinder according to the figure, press the **CYLINDER CATCH**, and then remove the cylinder set.

#### Placement

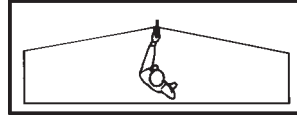
For placing the cylinder set, hold the **CYLINDER CATCH** pressed and put the new cylinder at the angle indicated by the figure.



**ALWAYS KEEP THE MUZZLE POINTED IN A SAFE DIRECTION**

## POSITION FOR TARGET SHOOTING

Take such stance that your body faces the target at a 90 degree angle. Keep your feet 1 ft. to 1 1/2 ft. apart. Raise your arm so that it lines up naturally with the target. Your head should be turned as needed, so as to have a good sight picture. When you are in a correct position, aim the gun and squeeze the trigger.



### AIMING

Align the front and rear sights carefully. The top of the front sight must be leveled with the top of the rear sight and set in the middle of the rear sight notch. The bullseye should rest on the top of the sights.

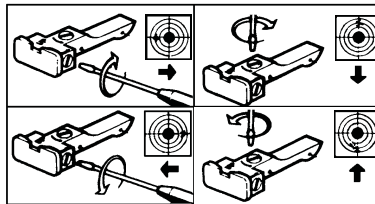
### SQUEEZE OF THE TRIGGER

Squeeze the trigger carefully with index-finger, keeping sight aligned with the target. If the trigger is jerked, the target will possibly be missed due to the movement of the gun. The pressure should be applied between the tip and the first joint of the finger. Press slowly and carefully. More speed will be gained with practice.

## ADJUSTING THE SIGHTS

### External Adjustable Sight Models Only

To adjust, make sure the firearm is unloaded and always keep the muzzle pointed in a safe direction. If possible, leave the cylinder open during adjustment. To raise the rear sight, turn the elevation adjusting screw counterclockwise. To lower the rear sight turn the screw clockwise.



When raising the sight the point of impact rises. Lowering the sight, the point is lowered. The rear sight can also be adjusted for windage. Turn the windage adjusting screw clockwise to move the notch to right side, and counterclockwise to move the notch to left side.

When raising the sight the point of impact rises. Lowering the sight, the point is lowered. The rear sight can also be adjusted for windage. Turn the windage adjusting screw clockwise to move the notch to right side, and counterclockwise to move the notch to left side.

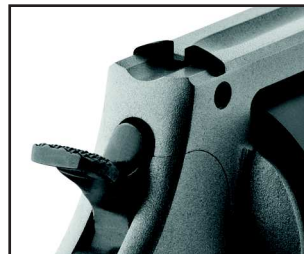
**ATTENTION** – For vertical adjustment on small frame adjustable sights revolvers (specifications on page 17) use the reverse of the above. For windage adjustment, use the two opposed screws that affix the sight blade.

### Integral Adjustable Sight Models Only

The sight blade may be adjusted from left to right only (windage).

To adjust, make sure the firearm is unloaded and always keep the muzzle pointed in a safe direction. If possible, leave the cylinder open during adjustment. Locate the adjustment screw on the top of the right side of the frame.

Turn the adjustment screw clockwise to move the notch to right side, and counterclockwise to move the notch to left side.



**14** ALWAYS KEEP THE MUZZLE POINTED IN A SAFE DIRECTION

## ADJUSTABLE HAMMER TENSION AND TRIGGER STOP

Taurus Silhouette Target revolvers are equipped with adjustable hammer tension and trigger stop. **When adjusting, make sure the firearm is unloaded and always keep the muzzle pointed in a safe direction. If possible, leave the cylinder open during adjustment.**

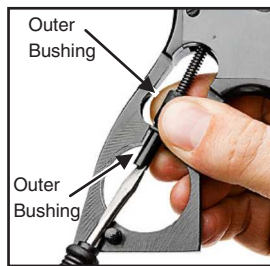
**WARNING:** These are sensitive adjustments and should be made carefully and in small increments. Proper tools should always be used. If you are not comfortable with these adjustments or unfamiliar with them, do not attempt them. Improperly adjusting these settings can create a hazardous situation that can result in damage to the firearm, accidental death or serious injury.

### Hammer Tension Adjustment

**WARNING:** The Hammer Tension setting is different for single-action and double-action shooting. Attempting to shoot double-action with the tension set for single can result in failure to fire, and may create a hazardous situation.

**WARNING:** Some brands of ammunition and primers require harder firing pin impact than other brands. Caution should be exercised when adjusting the hammer tension so that the setting does not result in a firing pin strike too light to ignite the primer. This can create a failure to fire situation which may be hazardous.

**WARNING:** It is possible to set the hammer tension too light to reliably fire the cartridge. This can result in a hazardous situation.



To adjust the hammer tension, remove the grip by loosening the single screw on the bottom of the grip and pulling it free from the frame. The adjustment knob is in the Frame. Use a small flat bladed screw driver to hold the inner bushing and turn the outer bushing to adjust. Turn clockwise to loosen the tension and counter-clockwise to tighten. The tension can be checked by verifying that the firearm is unloaded, pointing the muzzle in a safe direction and "dry-firing" the revolver.

When the hammer tension is adjusted, replace the grip and the grip screw.

### Trigger Stop

**WARNING:** The trigger stop can be extended to a point that prevents the trigger from releasing the hammer to fire the cartridge. This can result in a failure to fire and create a hazardous situation.

To adjust the trigger stop, remove the grip by loosening the single screw on the bottom of the grip and pulling it free from the frame. Loosen the trigger stop set screw. Make sure the gun is unloaded, point the muzzle in a safe direction and cock the hammer back. This will bring the trigger to the single-action stop position. Using a needle-nose plier, gently move the trigger stop in or out to the desired position. Allow adequate travel for the trigger to release the hammer and fire the cartridge. Tighten the set screw and replace the grip and grip screw.



**WARNING:** Under no circumstances should you attempt to fire the revolver with the grip removed. Attempting to do so may damage your firearm and may result in accidental death or serious injury.

**ALWAYS KEEP THE MUZZLE POINTED IN A SAFE DIRECTION**

## CARE AND MAINTENANCE

A. The gun may be cleaned and lubricated under normal conditions without the need of any disassembly.

B. In special conditions, such as repairs, when disassembling is necessary, it is recommended the gun be returned to the factory or sent to a competent gunsmith or to the importer.

C. In order to keep a gun in perfect condition it must be kept clean and covered with a slight film of good quality oil to prevent corrosion. This is especially necessary after use.

D. For normal cleaning of handgun not used or kept in storage for some time, it is necessary to rub it with a lightly oiled cloth. In the same way proceed with the bore of the barrel. The excess oil must be removed, but a thin protecting film should remain. Also the dust should be removed from all crevices with a small, clean brush.

E. For cleaning after shooting, it is of special importance that all residues of powder be removed from barrel and other adjacent areas subject to such deposits, using an appropriate brush. If particles of lead are detected in barrel they must be scrubbed with a brass brush, drenched with oil. Once cleaned, lubrication should be done as above described. When shooting more than 200 rounds in a row, your firearm should be cleaned before further shooting.

F. Do not keep handguns in contact with materials that attract moisture or possess a certain degree of acidity, or in environments with great variation of temperature or of humidity. Avoid the use of holsters of cloth or of any other material except natural leather appropriately cured.

G. If the firearm is to be stored for a long period of time, extreme care should be taken with metal surfaces, in order to protect them against corrosion.

### **Taurus Total Titanium and UltraLite Titanium Models**

**These special instructions are necessary because of the way the revolver is manufactured and assembled.**

1) The revolver's barrel has an internal stainless steel liner which is mounted in and surrounded by a titanium shroud. Because of this, the normal procedure of disassembling the barrel from the frame will either damage the frame and/or the barrel. Therefore, do not try to unscrew the barrel from the frame. In the event that service is required, return your revolver to our Customer Service Department.

2) Normal care and cleaning procedures can be used on Titanium revolvers but under no circumstances should you use any abrasive material to clean the front face of the cylinder, or any other part of the revolver, as the use of such an abrasive material can remove the finish on the cylinder, which is a protective layer, and this can greatly reduce the service life of the cylinder and the revolver.

3) These Taurus Titanium revolvers are designed to withstand the regular use of +P jacketed ammunition. However, we do not recommend that you utilize +P lead bullet ammunition as the typically light crimp on the lead bullets could cause some of them to unseat from the case, moving forward in the chamber, and possibly blocking the cylinder's rotation.

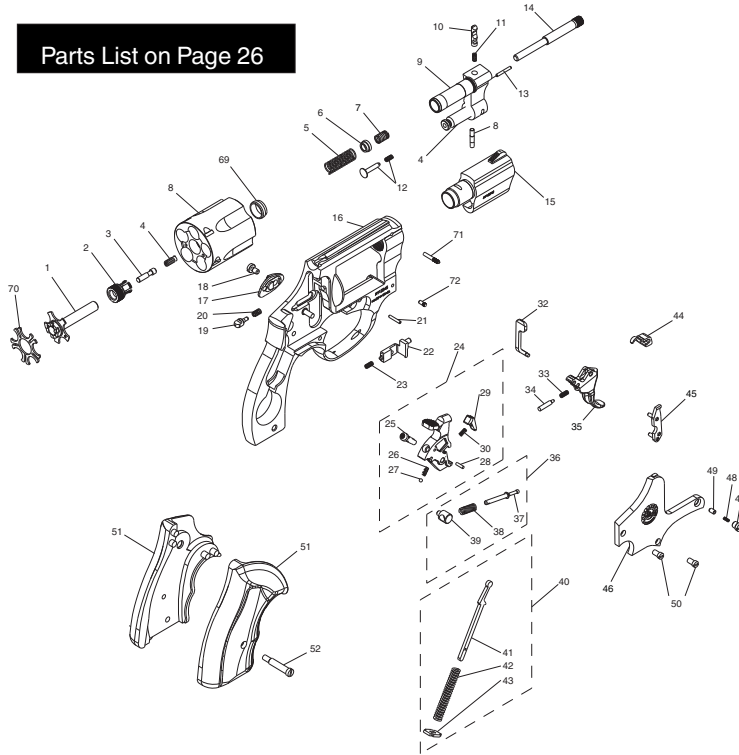
If you have any questions concerning the care, cleaning and use of your Taurus Titanium revolver, do not hesitate to contact Taurus Customer Service at (305)624-1115.

**16** ALWAYS KEEP THE MUZZLE POINTED IN A SAFE DIRECTION



## EXPLODED VIEW OF TAURUS REVOLVERS

Parts List on Page 26



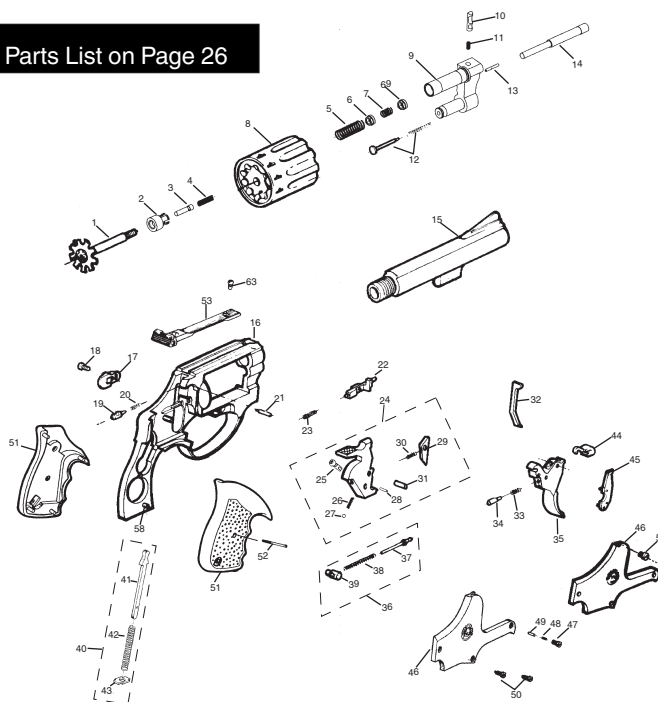
## SMALL FRAME FIXED SIGHTS REVOLVERS

Model	17 C 17 C UL	410 PD 410GA	605 905	73 Long	731 731 UL Magnum	85 RB (Rubber Ball)	85 85 TI Special	85 UL 85 UL/TI Special	650, 850 850 UL/TI .38 (850)	651, 851 .357 (651) .38 (851)
Caliber	.17 HMR	.45LC/ 410GA	.357 Mag. 9mm	.32 SW Long	.32 H&R Magnum	9 mm PA	.38 Special	.38 Special	.357 (650) .38 (850)	.357 (651) .38 (851)
Number of Shots	8	5	5	6	6	5	5	5	5	5
Barrel	2" 4" 5"	2"	2"	2" 3"	2"	2"	2" 3"	2"	2"	2"
Total Length	6.8" 8.8" 9.8"	7.8"	6.5"	6.75" 7.75"	6.25"	6.25"	6.25" 7.75"	6.25"	6.5"	6.5"
Weight	19 oz. (UL-2") 24 oz. (2") 28.7oz.(4") 31.6 oz.(5")	27.5 oz.	24 oz. 21 oz.	22 oz. 32 oz.	21 oz. 17 oz.	23.6 oz.	21 oz. 16 oz.	17 oz. 14.25 oz. 17.3 oz.	23.5 oz. 17.3 oz.	25 oz. (BL/SS) 16.8 oz. (UL)
Front Sight	Serrated ramp									
Rear Sight	Fixed									
Grips	Rubber									
Finish	Blue or Stainless		Blue	Stainless	Blue	Blue or Stainless				

ALWAYS KEEP THE MUZZLE POINTED IN A SAFE DIRECTION

## EXPLODED VIEW OF TAURUS REVOLVERS

**Parts List on Page 26**



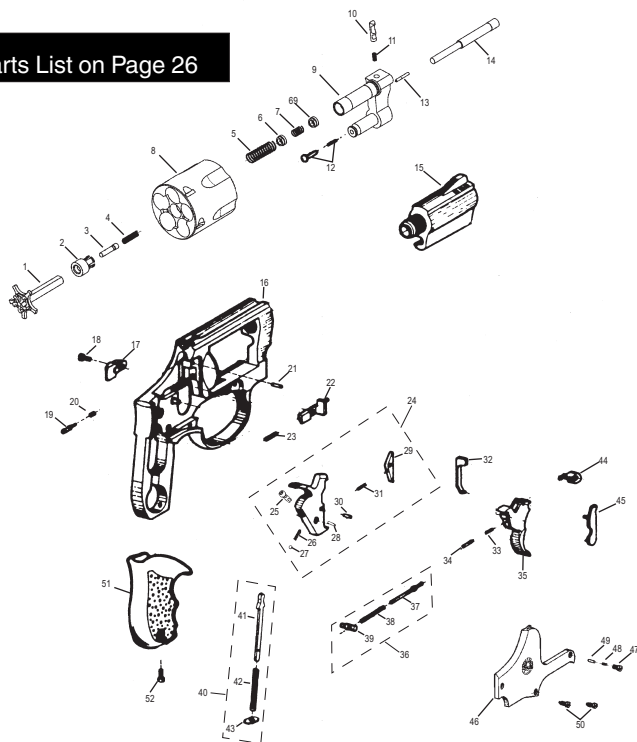
### SMALL FRAME ADJUSTABLE SIGHTS REVOLVERS

Model	327	380 UL	851 UL/Ti	856	94	941	94 UL	941 UL
Caliber	.327 Fed. Mag.	.380ACP	.38	.38 Special	.22 LR	.22 Magnum	.22 LR	.22 Magnum
Number of Shots	6	5	5	6	9	8	9	8
Barrel	2"	3"	2"	2"	2" 3" 4" 5"	2" 3" 4"	2"	2"
Total Length	7.75"	7.2"	6.5"	6.75"	6.5" 7.75" 8.75" 9.75"	6.75" 7.75" 8.75"	6.75"	6.75"
Weight	24.7 oz.	16 oz.	15.5 oz.	24.7 oz. 14 oz. (mag.)	24 oz. 23.5 oz. 25.5 oz. 26.5 oz.	24 oz. 25.5 oz. 27.5 oz.	17 oz.	17 oz.
Front Sight	Serrated ramp							
Rear Sight	Adjustable for windage and elevation (except M856 BL/SS) Drift adjustable (M856 magnesium, M851 UL and M380 UL only)							
Grips	Rubber							
Finish	Blue, stainless or magnesium (M856)							

**18** ALWAYS KEEP THE MUZZLE POINTED IN A SAFE DIRECTION

## EXPLODED VIEW OF TAURUS REVOLVERS

**Parts List on Page 26**



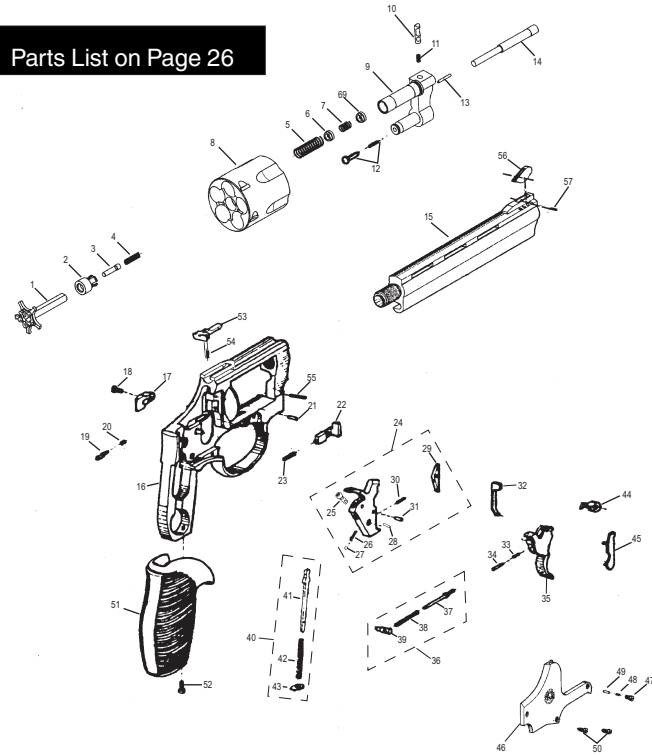
## COMPACT FRAME FIXED SIGHTS REVOLVERS

Model	410 410 UL	413	405	415 415 Ti	445 UL	450 450 (Ti/UL)	617 617 Ti	817 UL
Caliber	45 LC/ .410 GA	45 LC .410 GA (3")	.40 S&W	.41 Magnum	.44 Special	.45 Long colt	.357 Magnum	.38 Special
Number of Shots	5	5	5	5	5	5	7	7
Barrel	3" 4" 6.5"	3" 4" 6.5"	2" 3" 4"	2.5"	2"	2"	2"	2"
Total Length	8.5" 9.5" 11.5"	9.5" 10.5" 12.5"	7" 8" 9"	7.5"	7"	7"	7"	7"
Weight	35 oz. (3") 24 oz. (*3UL)	38.8 oz. 38 oz. 41 oz.	28.2 oz	30 oz. 21 oz.	21.7 oz.	28.2 oz. 19.8 oz. (Ti) 21.7 oz. (UL)	30 oz. 20 oz.	22 oz.
Front Sight	Fiber Optic		Serrated ramp					
Rear Sight	Fixed							
Grips	Rubber							
Finish	Blue, matte stainless or titanium (415, 450 and 617 only)							

ALWAYS KEEP THE MUZZLE POINTED IN A SAFE DIRECTION

## EXPLODED VIEW OF TAURUS REVOLVERS

Parts List on Page 26

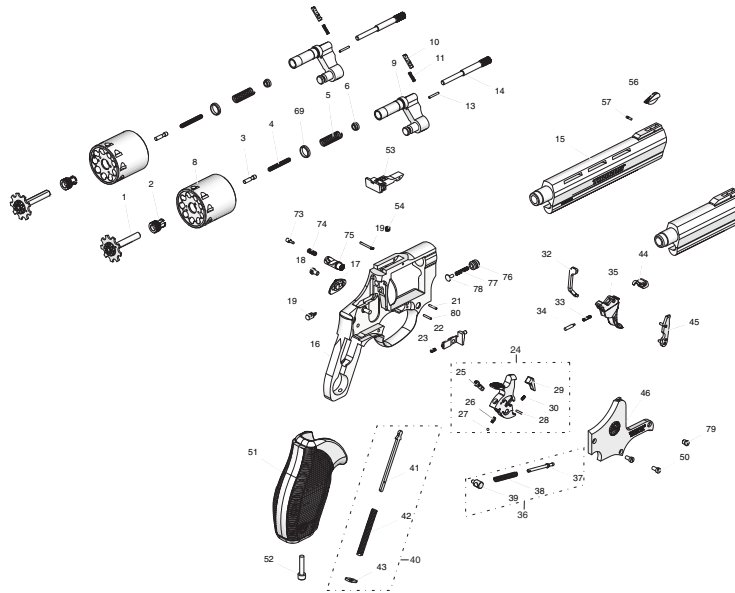


## COMPACT FRAME ADJUSTABLE SIGHTS REVOLVERS

Model	17	44 C	425 425 Ti	455	460	590	627 627 Ti	970	971	990	991
Caliber	.17 HMR	.44 Mag	.41 Mag	.45 ACP	.45 LongColt	5 mm Remington	.357 Mag	.22 LR	.22 Mag	.22 LR	.22 Mag
Number of Shots	7	5	5	5	5	9	7	7	7	9	9
Barrel	6.5"	4"	4"	2" 4" 6.5"	4" 6.5"	4" 6.5"	4" 6.5"	6.5"	6.5"	4"	4"
Total Length	11.5"	9"	9"	6.75" 8.75" 10.75"	9" 11.5"	8.8" 11.3" 38 oz.	9" 11.5"	11.5"	11.5"	8.8"	8.8"
Weight	45 oz.	34 oz.	34.7 oz 24.2 oz.	24 oz. 29 oz. 41 oz.	28.8 oz. 40.8 oz.	43.7 oz.	34.7 oz. 40 oz. 24.5 (Ti-4") 29 (Ti-6.5")	45 oz.	45 oz.	38 oz.	38 oz.
Front Sight	Serrated ramp										
Rear Sight	Adjustable										
Grips	Rubber										
Finish	Blue, stainless or titanium (425 and 627 only)										

## EXPLODED VIEW OF TAURUS REVOLVERS

Parts List on Page 26



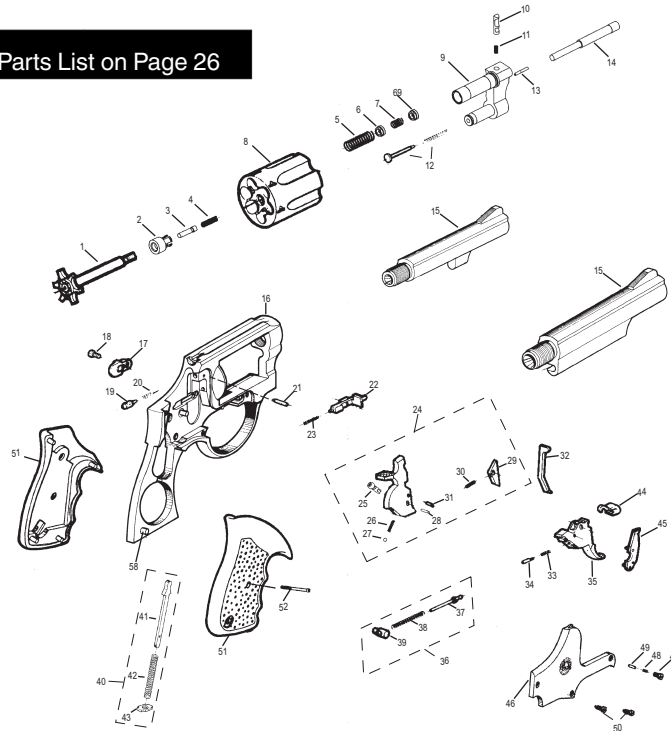
## COMPACT FRAME ADJUSTABLE SIGHTS REVOLVERS

Model	<b>992</b>
Caliber	.22 LR / .22Mag
Number of Shots	9
Barrel	4" 6.5"
Total Length	11.4"
Weight	55 oz
Front Sight	Serrated ramp
Rear Sight	Adjustable
Grips	Rubber
Finish	Blue or stainless

ALWAYS KEEP THE MUZZLE POINTED IN A SAFE DIRECTION

## EXPLODED VIEW OF TAURUS REVOLVERS

Parts List on Page 26



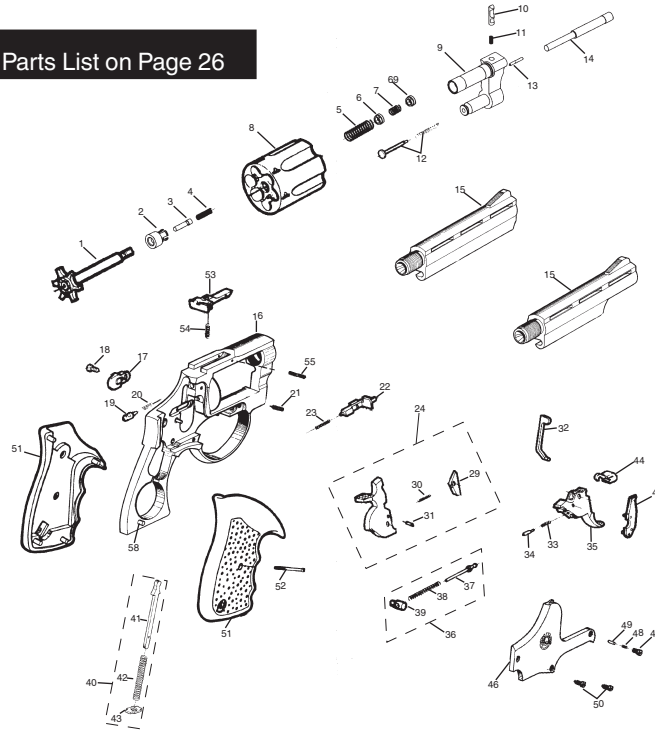
## MEDIUM FRAME FIXED SIGHTS REVOLVERS

Model	65	82
Caliber	.357 Magnum	.38 Special
Number of Shots	6	6
Barrel	3" 4"	3" 4"
Total Length	9.5" 10.5"	8.25" 9.25"
Weight	35 oz. 36.75 oz.	32.25 oz. 34.5 oz.
Front Sight	Serrated ramp	
Rear Sight	Fixed	
Grips	Rubber	
Finish	Blue or stainless	

**22** ALWAYS KEEP THE MUZZLE POINTED IN A SAFE DIRECTION

## EXPLODED VIEW OF TAURUS REVOLVERS

Parts List on Page 26



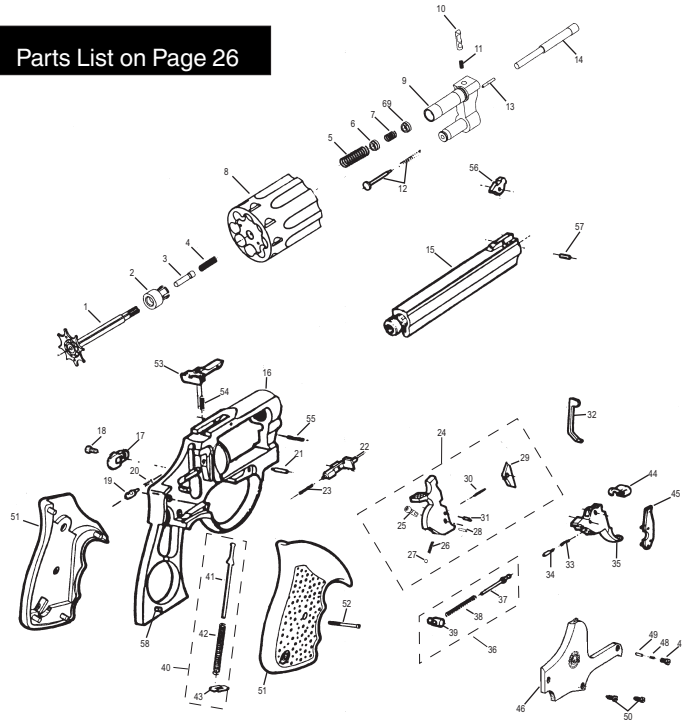
## MEDIUM FRAME ADJUSTABLE SIGHTS REVOLVERS

Model	66	83	86	96
Caliber	.357 Magnum	.38 Special	.38 Special	.22 Long Rifle
Number of Shots	7	6	6	6
Barrel	4" 6"	3" 4"	6"	6"
Total Length	9.75" 12"	8.75" 9.75"	11.75"	11.75"
Weight	38 oz. 40.25 oz.	34.25 oz. 36 oz.	40 oz.	44 oz.
Front Sight	Serrated ramp			
Rear Sight	Micrometric click, adjustable for windage and elevation			
Grips	Rubber			
Finish	Blue or stainless			

ALWAYS KEEP THE MUZZLE POINTED IN A SAFE DIRECTION

## EXPLODED VIEW OF TAURUS REVOLVERS

Parts List on Page 26



### LARGE FRAME REVOLVERS

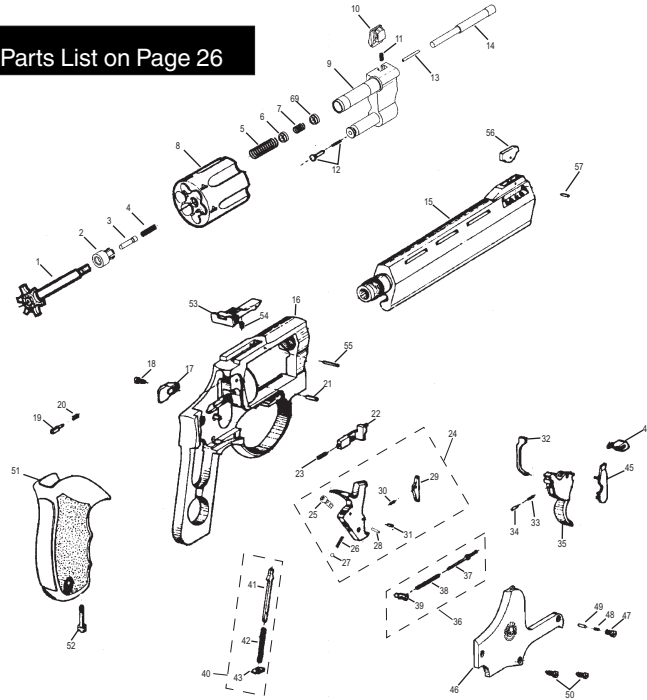
Model	608	44	30	218
Caliber	.357 Magnum	.44 Magnum	.30 Carbine	.218 Bee
Number of Shots	8	6	8	8
Barrel	4" 6.5" 8.3/8"	4" 6.5" 8.3/8"	10"	10"
Total Length	9.5" 11.9" 13.75"	9.4" 11.85" 13.75"	16"	16"
Weight	44 oz. 51 oz. 56 oz.	44.75 oz. 52.5 oz. 57.25 oz.	71 oz.	75.8 oz.
Front Sight	Serrated ramp		Patridge Style	
Rear Sight	Micrometric click, adjustable for windage and elevation			
Grips	Rubber			
Finish	Blue or Stainless		Stainless	

**24** ALWAYS KEEP THE MUZZLE POINTED IN A SAFE DIRECTION



## EXPLODED VIEW OF TAURUS REVOLVERS

Parts List on Page 26



## RAGING BULL STYLE LARGE FRAME REVOLVERS

Model	416	444	444 UL/Ti	454	513	513UL
Caliber	.41 Magnum	.44 Magnum	.44 Magnum	.454 Casull	.410 ga 3" .45 Long Colt .454 Casull	.410 ga 3" .45 Long Colt
Number of Shots	6	6	6	5	6	7
Barrel	6.5" 8.4"	6.5" 8.4"	2.25" 4"	2.25" 5" 6.5" 8.4"	3" 6.5"	3" 6.5"
Total Length	12" 14"	12" 14"	8" 9.75"	7.5" 10.5" 12" 14"	10.2" 13.6"	10.2" 13.6"
Weight	53 oz. 63 oz.	54 oz. 63 oz.	27.3 oz. 28.3 oz.	48 oz. 51 oz. 53 oz. 63 oz.	62 oz. 73 oz.	41.5 oz. 47.5 oz.
Front Sight	Patridge style or fixed with fiber optic (444 UL/Ti only)			Fixed with fiber optic		
Rear Sight	Micrometric click, adjustable for windage and elevation or fixed. (444 UL/Ti only)			Fixed		
Grips	Rubber					
Finish	Blue or Stainless					

ALWAYS KEEP THE MUZZLE POINTED IN A SAFE DIRECTION

## REVOLVERS PARTS LIST

1	EXTRACTOR	38	TRIGGER SPRING
2	CYLINDER RETAINING BUSHING	39	TRIGGER SPRING SWIVEL
3	CENTER PIN	40	MAIN SPRING ASSEMBLY
4	CENTER PIN SPRING	41	MAIN SPRING CENTER PIN
5	EXTRACTOR SPRING	42	MAIN SPRING
6	EXTRACTOR ROD COLLAR	43	MAIN SPRING PLATE
7	EXTRACTOR ROD SPRING	44	CYLINDER STOP
8	CYLINDER	45	HAND
9	YOKE	46	SIDE PLATE
10	FRONT LATCH	47	YOKE SCREW
11	FRONT LATCH SPRING	48	YOKE RETAINING PIN SPRING
12	CYLINDER STOP PLUNGER WITH SPRING	49	YOKE RETAINING PIN
13	FRONT LATCH PIN	50	SIDE PLATE SCREW
14	EXTRACTOR ROD	51	RUBBER GRIP
15	BARREL	52	GRIP SCREW
16	FRAME	53	REAR SIGHT ASSEMBLY
17	THUMB PIECE	54	REAR SIGHT SPRING
18	THUMB PIECE SCREW	55	REAR SIGHT PIN
19	FIRING PIN	56	FRONT SIGHT
20	FIRING PIN SPRING	57	FRONT SIGHT PIN
21	FIRING PIN RETAINING PIN	58	STOCK PIN
22	BOLT	60	FIRING PIN BUSHING
23	BOLT SPRING	61	CENTER PIN BUSHING
24	HAMMER ASSEMBLY	63	REAR SIGHT SCREW
25	KEYLOCK	69	CYLINDER DISTANCE BUSHING
26	KEYLOCK SPRING	70	STELLAR CLIP
27	KEYLOCK BALL	71	BARREL RETAINING PIN
28	KEYLOCK PIN	72	YOKE BLOCKING PIN
29	SEAR	73	CYLINDER ASS'Y CATCH LOCK
30	SEAR SPRING	74	CYLINDER ASS'Y CATCH SPRING
31	SEAR PIN	75	CYLINDER ASS'Y CATCH
32	TRANSFER BAR	76	CYLINDER STOP SPRING
33	HAND SPRING	77	CYLINDER STOP SPRING
34	HAND PIN	78	CYLINDER STOP SPRING PIN
35	TRIGGER ASSEMBLY	79	SIDE PLATE SCREW FRONT
36	TRIGGER SPRING ASSY	80	CYLINDER STOP SPRING BUSHING PIN
37	TRIGGER SPRING CENTER PIN		

## TAURUS LIMITED WARRANTY

### What Does This Warranty Cover?

This warranty covers any service and repair needed by any product manufactured by Forjas Taurus SA., and imported by Taurus International Manufacturing, Inc. or manufactured in the United States by Taurus International Manufacturing, Inc.

### How Long Does Coverage Last?

This warranty is of unlimited duration.

### What Will We Do?

Taurus will service and/or repair all covered products free of charge.

### What Does This Warranty Not Cover?

This warranty does not cover grips, sights, accessories, cosmetic defects after one year, or damage caused by customer abuse at any time. This express limited warranty is the only warranty on this product. This product is sold "as is" and has no implied warranties of merchantability or fitness for a particular purpose. There are no warranties which extend beyond the description on the face hereof.

### How Do I Get Service?

To simplify repair and service Forjas Taurus and Taurus International products are serviced and repaired by Taurus International. Questions regarding the products of either company can be directed to Taurus International in Miami, Florida at 1-305-624-1115 or in writing to:

16175 NW. 49th Avenue  
Miami, Florida 33014  
In care of Customer Service

If a problem should arise, describe the problem in writing and send the firearm to Taurus International at the above address, insured and pre-paid with the written description of the problem enclosed. Within 4 business days of our receipt of your firearm our Customer Service Department will contact you in writing advising you of when to expect your gun back. We will ship guns serviced because of defect in materials or workmanship insured and pre-paid. We will ship guns repaired out of warranty COD. There will, of course, be no charge for parts or labor if the repair work performed is covered by this express warranty.

### How Does State Law Apply?

This warranty gives you specific legal rights and you may also have other rights which vary from state to state.

## TAURUS NEWS

If you desire to receive periodic e-mails relating to new products from us, you may utilize our product enrollment web page at <http://www.taurususa.com/product-enrollment.cfm>

**Privacy Statement** – We do not share, sell or reveal customer information. This information is for our records only. Your e-mail address and purchase information will be kept confidential.

## TAURUS SERVICE POLICY

Before shipment, your firearm was carefully inspected and test fired in order to ensure that it conformed to our specifications and standards. Should your firearm require adjustment or repair, we strongly recommend that you return it to Taurus for factory service.

If there is any question regarding the performance of your firearm, please write to our Service Department fully describing all circumstances and conditions involved. If our Service Department makes the determination that your firearm requires factory service, you will be so advised and will be given instructions for the most expeditious handling of your shipment. Our Service Department will give your firearm a complete inspection, and evaluate the problem (s) specified in your letter. If the work required is not covered under the terms of our "Warranty" (when applicable) you will receive an actual cost quotation, not an estimate. Any repair work must be authorized by you, and no work will be done without your expressed approval.

Please follow these suggestions to expedite service in the United States of America to return any firearm to us for adjustment or repair.

1. Federal law permits you to return your firearm to the manufacturer for service via common carriers. However, state and local firearms laws vary greatly; you should consult your local prosecuting attorney regarding any restrictive laws in your jurisdiction regarding your shipment or receipt of firearms. With the above in mind, it is strongly recommended that any firearm sent to us for repair be sent through a Federally licensed dealer.
2. All firearms must be shipped to us prepaid. WE WILL NOT ACCEPT COLLECT SHIPMENTS.
3. Be sure to enclose a letter stating your name, address and telephone number, serial number, caliber and barrel length of your firearm. Also state nature of trouble experienced or work required. Merely stating "defective" or "repair as necessary" is inadequate information. Be specific and enclose copies of any previous correspondence. Work (other than warranty repair) will bear minimum labor charge of \$ 10.00.
4. FIREARMS MUST BE SHIPPED UNLOADED. Double check the chamber of your firearm before shipping. If firearms are sent to Taurus in a loaded condition, we are required by law to notify the Federal authorities.
5. DO NOT include telescopic sights, custom grips, holsters, or other accessories with any firearm shipped to us.

## PARTS

All firearms require periodic maintenance and inspection which may reveal a need for adjustment or repair. Have your firearm checked by a competent gunsmith annually, even if it seems to be working well, since breakage, improper functioning, undue wear, or corrosion of some components may not be apparent from external examination. If you notice ANY mechanical malfunction, do NOT continue to use the firearm. UNLOAD the firearm and take it to a competent gunsmith immediately.

Our Service Department maintains a full complement of replacement parts for our firearms of current manufacture. Even though most gunsmiths have the knowledge, training and ability to make the necessary repairs to your firearm, the skill and workmanship of any particular gunsmith is totally beyond our control. Should your firearm ever require service, we strongly recommend that you return it to Taurus. Follow the instructions outlined below. Remember, unauthorized adjustments or parts replacement can void your warranty. It is the responsibility of the purchaser to be absolutely certain that any parts ordered from Taurus are of the correct type and are properly fitted and installed by a competent person. THIS FIREARM IS A PRECISION MECHANISM AND THE IMPROPER FITTING OF PARTS OR IMPROPER MECHANICAL ADJUSTMENT MAY RESULT IN A DANGEROUS MALFUNCTION, DAMAGE TO THE FIREARM, AND POSSIBLE SERIOUS INJURY TO THE SHOOTER OR TO OTHERS.

Therefore, the purchaser and/or installer of parts must accept full responsibility for the correct adjustment of and function of the firearm after such installation has been made or attempted.

### Notice:

It is recommended that you record the model number, serial number and date of purchase of your Taurus firearm for future reference. Be sure to retain your store receipt and any other documentation that came with your Taurus.

Model Number \_\_\_\_\_

Serial Number \_\_\_\_\_

Date of Purchase \_\_\_\_\_

NOTES

Lined area for taking notes.

**30** ALWAYS KEEP THE MUZZLE POINTED IN A SAFE DIRECTION



This trademark, forged for over 70 years of hard and dedicated work, became a symbol of quality in handguns for civilian, police and military use. This outstanding quality is the result of constant technological evolution and from the devoted work of expert gunsmiths and highly specialized professionals, which makes TAURUS a respected name in more than 75 countries all over the world

**IMPORTANT**

**DO NOT DISCARD**

KEEP THIS MANUAL WITH  
YOUR FIREARM UPON  
CHANGE OF OWNERSHIP.

[www.taurususa.com](http://www.taurususa.com)  
[www.taurus.com.br](http://www.taurus.com.br)

FORJAS TAURUS S.A.

Avenida do Forte, 511

CEP: 91.360-000

Porto Alegre - RS - Brasil

Fone: 55-51-30213000

Fax: 55-51-30213110

TAURUS INTERNATIONAL  
MANUFACTURING, INC.

16175 NW 49 Avenue

Miami, Florida 33014

Telephone: (305) 624 1115

Fax: (305) 624 1126

