



OWNER'S MANUAL

802 PLINKSTER™ and 801 HALF-PINT™

.22 CAL BOLT ACTION RIFLE WITH DETACHABLE MAGAZINE

IMPORTANT "SAFETY WARNINGS" — NOTE THE SYMBOL: 

THESE SAFETY WARNINGS ARE FOR YOUR PROTECTION AS WELL AS THE SAFETY OF OTHERS. DISREGARDING INFORMATION IN THIS MANUAL MAY RESULT IN SERIOUS INJURY OR DEATH.



Be certain this owner's manual is available for reference and is kept with this firearm if transferred to another party. If this manual is lost or misplaced, contact the Product Service Center for a free replacement copy or visit www.mossberg.com.



After performing any work on your firearm such as cleaning, adjustments, disassembly or installation of any accessory, the firearm should be re-checked for proper functioning before firing live ammunition.



Firearms are complex mechanisms. Any modification, alteration, or improper fitting of parts may result in a dangerous malfunction, damage to the firearm, and could cause serious injury or death to you or those around you. The firearm's owner must accept full responsibility for the correct reassembly and functioning of the firearm after any disassembly or replacement of parts.



If you do not understand any of the material in this manual or have any questions, contact the Product Service Center or a qualified gunsmith.



Do not attempt to load or use any firearm until you have read and understood the information contained in its owner's manual. Before handling your firearm, you should learn how it operates and how to maintain it. This includes knowing its basic parts, how the manual safety and other safety features operate, how to safely open and close the action and how to safely load and unload ammunition from the firearm. Improper use and handling is dangerous and could cause serious injury or death to you or those around you. All users of the firearm must become thoroughly familiar with the instructions in this manual.

distributed by

MOSSBERG INTERNATIONAL, INC.

P.O. BOX 497 • 7 GRASSO AVENUE, NORTH HAVEN, CT 06473

PHONE (800) 363-3555

www.mossberg.com

Safety and safe firearms handling is everyone's responsibility.



As the owner of a firearm, you must undertake the full-time responsibility of safe firearms handling for your own safety and the safety of those around you:

- Keep all firearms and ammunition out of the reach of children.
- Store your firearms and ammunition separately.
- Never store a loaded firearm.
- Never leave a loaded firearm unattended.
- Never transport a loaded firearm in a vehicle
- Unload your firearm when you have stopped shooting and when you have to climb a tree, fence, cross a slippery surface or have to transport it in a vehicle.
- Do not load your firearm before you are in a place where it is safe to shoot, and keep your finger off the trigger until you are on target and have decided to fire.
- Never shoot at water, rocks or any hard surfaces. Bullets may glance off such surfaces and cause injuries.
- Do not use alcohol or drugs before or while handling firearms.
- Do not touch the trigger while the safety button is being engaged or disengaged.



Always point the muzzle of your firearm in a safe direction, regardless of whether the firearm is loaded or unloaded.



Always treat every firearm as if it were loaded. Give your firearm to someone with the action open, and the safety button pushed fully to the right to the "ON" (SAFE) position, after you verify the firearm is unloaded. Insist on the same procedure when receiving a firearm from someone else. Learn the location of all the safety features of your firearm and how they operate.



Wear eye and ear protection when shooting. Shooting without proper ear protection can cause hearing damage. The use of eye protection during any type of shooting is important to protect your vision.



When using a firearm with mounted optics, maintain an adequate distance between the rear of the scope and your face at all times. (Be certain the scope installation does not interfere with access to, or the proper functioning of the safety).



WE SPECIFICALLY DISCLAIM ANY RESPONSIBILITY FOR DAMAGE OR INJURY WHATSOEVER OCCURRING IN CONNECTION WITH, OR AS A RESULT OF, THE USE OF FAULTY, OR NON-SAAMI STANDARD, OR "REMANUFACTURED" OR HAND LOADED (RELOADED) AMMUNITION. ADDITIONALLY, WE DISCLAIM ANY RESPONSIBILITY FOR DAMAGE OR INJURY WHICH RESULTS FROM ANY MODIFICATIONS OR CHANGES THAT ARE NOT A PART OF THE FIREARM AS DELIVERED FROM THE FACTORY.



Learn to clean your firearm thoroughly and make certain no oil, grease or other materials are blocking the barrel. Obstructions of any kind can cause damage to the firearm resulting in serious personal injury to the shooter and/or others nearby.

Practice proper firearm maintenance and safety. Make sure all exposed metal surfaces are coated with a thin film of oil, especially after being exposed to damp weather. (See proper section of this manual for cleaning instructions.) Do not plug the barrel or store in a fabric-lined case, which will absorb lubricants from the firearm. Before using after storage, follow complete instructions stated in this manual for familiarization with the firearm. A thorough inspection and function test should be performed before going into the field. Have your firearm periodically checked by a qualified gunsmith.



A note about the warnings and information contained in this manual:

We strongly suggest that you check with your local licensed retailer or state police for additional information concerning firearms ownership, or hunting or target shooting rules that may be required by local law or regulation. Since such rules and regulations are subject to change, local authorities are in the best position to advise you on such matters.

TABLE OF CONTENTS

	Page
General Information and Mechanical Characteristics	4
Unpacking Your Bolt Action Rifle	4
Manual Safety	5
To Install the Bolt in the Rifle	6
Magazine Installation	8
To Install Magazine	8
To Remove Magazine	8
To Load and Unload Magazine	9
Firing	10
Loading Single Cartridges	10
To Unload the Rifle	11
Removing the Bolt From the Rifle	11
Cleaning and Lubrication	11
Function Testing	12
Precautions and Care With Your Rifle	13
Rear Sight Adjustments	13
Service Instructions	14
Warranty Information	17
Parts List	18
Exploded View	19
Basic Rules of Safe Firearms Handling	Back Cover



WARNING: This product can expose you to chemicals, including lead, which are known to the State of California to cause cancer and birth defects or other reproductive harm. For more information go to www.P65Warnings.ca.gov.



GENERAL INFORMATION AND MECHANICAL CHARACTERISTICS

The 802 Plinkster™ (including 801 models) is designed to operate with .22 long rifle cartridges of subsonic, standard, high or hyper velocities only.

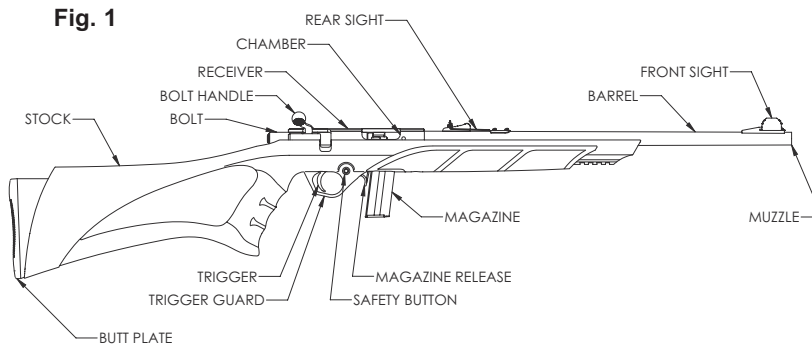
When the rifle leaves the factory, its metal parts are protected by a coat of very adherent oil. This coating, especially inside of the barrel, must be removed before using the rifle. The oil on the outside surfaces should also be removed when the packing box has been opened because the oil is very sticky and it easily retains dust and other solid impurities from the air.



WARNING

Because this rifle can be used as a single shot, it will fire whether or not a magazine is in the rifle if a cartridge is chambered.

RIFLE WILL FIRE WITH MAGAZINE OUT.



* The chamber is the rear most part of the barrel. It can only be seen when the bolt is in the "open" position.

OPERATING INSTRUCTIONS



Read and understand this entire manual and its safety warnings before firing the rifle.

UNPACKING YOUR BOLT ACTION RIFLE

When shipped from the factory the bolt is removed from the action and packed separately in the shipping carton. Before installing the bolt, visually and physically inspect the inside of the barrel and receiver to ensure they are free of any excess oil, grease or any obstructions. Obstructions of any kind can cause damage to the firearm and may result in serious personal injury to the shooter and/or others nearby.

MANUAL SAFETY



Remember, a firearm's manual safety is a mechanical device which can never replace safe firearm handling practices.

The safety button is located at the front of the trigger guard (Fig. 2) and must be manually moved to the desired position by the shooter.



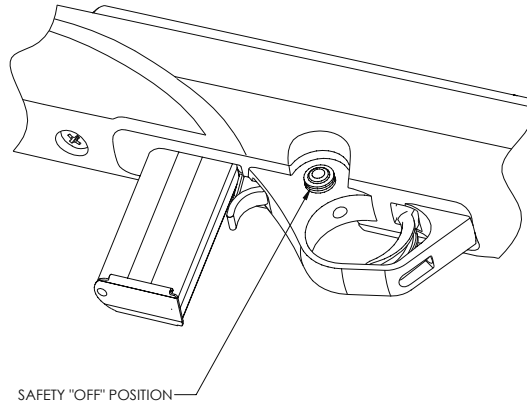
The safety is set in the "ON" (SAFE) position by pushing the button from the left side (side opposite the ejection port) so that it moves all the way to the right. The button must always be pushed fully to the right until it moves no further to be in the "ON" (SAFE) position.

The safety mechanism cannot be engaged unless the firing pin is cocked or the bolt is fully open.



Never rely on any mechanical mechanism or safety device to prevent the dangers of careless handling or pointing a firearm in an unsafe direction.

Fig. 2



Moving the safety button to the left will put the safety in the "OFF" (FIRE) position.



The safety button is designed to function only as described above and should not be reversed. Do not attempt to remove or reverse the button. Doing so will result in an unsafe condition which can cause serious injury or death.

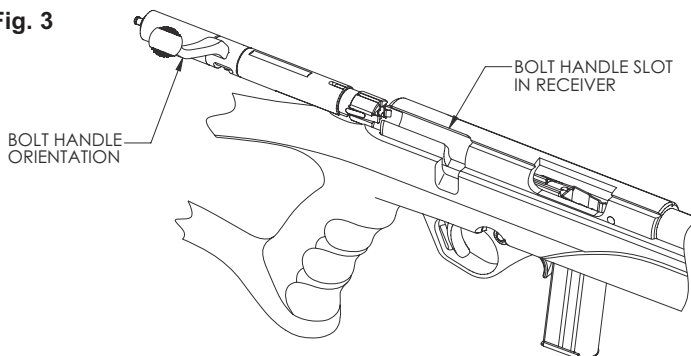
The safety button is marked with a red ring as a training aid used only to show the direction of the "ON" (SAFE) position and should not be used as an indicator that the safety is "ON" or "OFF."

TO INSTALL THE BOLT IN THE RIFLE



Visually and physically check to make certain there is no ammunition in the chamber or magazine. Keep the muzzle pointed in a safe direction at all times.

Fig. 3



- A. Set the safety to the "OFF" (FIRE) position, by pushing the button all the way to the left. Orient the bolt handle pointing up and to the right, as shown in (Fig. 3).
- B. Engage the bolt in the receiver and gently push it forward until it stops.
- C. Depress the trigger fully and continue pushing the bolt forward. The bolt handle will engage the bolt handle slot in the receiver. Push the bolt past the sear and release the trigger. Set the safety to the "ON" (SAFE) position.
- D. The bolt assembly has a cocking indicator to indicate when the action is cocked and ready to fire. Push the bolt fully forward and rotate the bolt handle clockwise and down to the "closed bolt" position. Observe the cocking indicator at the end of the bolt (Fig. 4a). The cocking indicator protrudes from the bolt exposing a red band. If a cartridge is chambered, the rifle will fire if the safety button is moved to the left to the "OFF" (FIRE) position and the trigger is pulled. When the rifle is fired the cocking indicator moves forward inside the bolt, and the red band is no longer visible (Fig. 4b).
- E. Open the bolt.



The red band is not a safety and does not indicate whether or not a cartridge is in the chamber. You must visually and physically inspect the chamber to determine if the rifle is loaded.

Fig. 4a

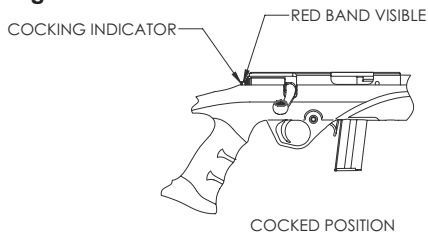


Fig. 4b

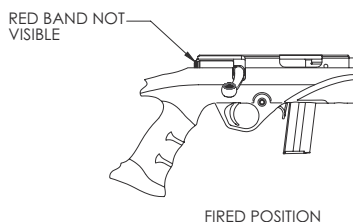
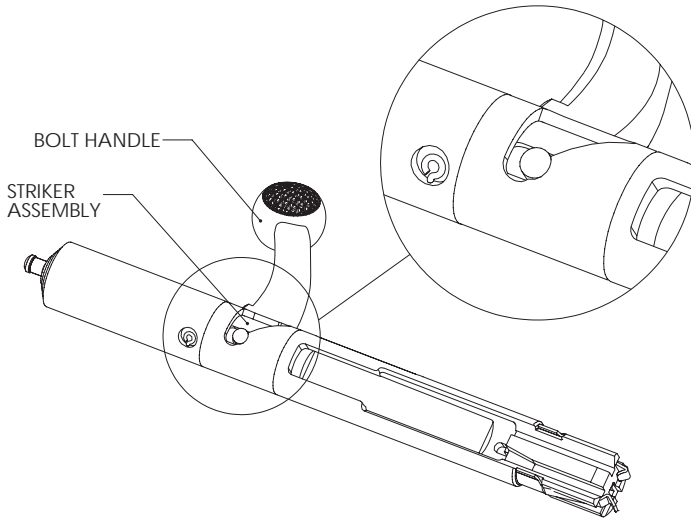


Fig. 4c



STRIKER ASSEMBLY IN
COCKED POSITION

When the bolt is removed from the rifle, the striker assembly may become shifted into the released position. The bolt cannot be reinstalled in the receiver if the striker assembly is in the released position. To recock the striker assembly, hold the front half of the bolt assembly firmly. Rotate the bolt handle clockwise to recock the striker assembly. See Fig. 4c.

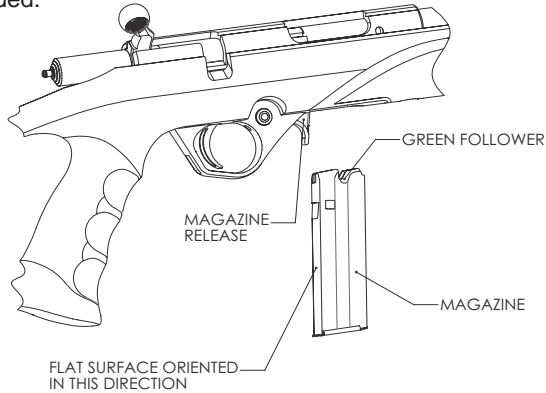
MAGAZINE INSTALLATION

Familiarize yourself with the rifle by installing and removing an unloaded clip magazine and by learning to keep the bolt in the open position.



Ensure the safety button is fully to the right to the “ON” (SAFE) position and check the chamber and the receiver area to be certain the firearm is unloaded.

Fig. 5



NOTE: Magazine for Mossberg International, Inc., 802 Plinkster™ (including 801 models) (Green Follower) is not interchangeable with magazine from Mossberg International, Inc., 702 Plinkster® (Red Follower).

The 801 Half-Pint™ is supplied with a magazine plug that restricts the capacity to a “single shot” until the coach or guardian approves of its removal. The 801 also accepts standard 802 Plinkster™ 10-round magazines.

TO INSTALL THE MAGAZINE

Insert the unloaded magazine with the plastic cartridge follower end first and the long flat face of the magazine towards the magazine release. Push the magazine into place until it snaps into its locked position. (Fig. 5).

TO REMOVE THE MAGAZINE

Press the magazine release forward toward muzzle and pull the magazine from the stock with your free hand. (Fig. 5)

NOTE: It is easier to remove the magazine from the rifle if the bolt is positioned at its most rearward position.



WARNING

Removal of the magazine will not unload the rifle! After you remove the magazine always visually and physically inspect the chamber and receiver to ensure the rifle is completely unloaded!

RIFLE WILL FIRE WITH MAGAZINE OUT.

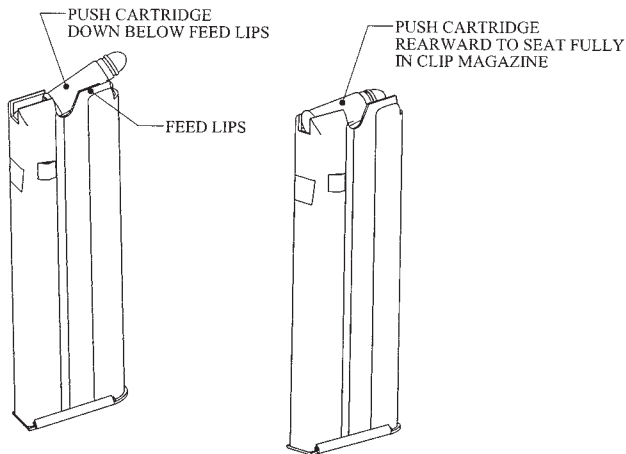
TO LOAD AND UNLOAD MAGAZINE

The 802 Plinkster™ includes a 10-shot capacity magazine. The rifle operates with .22 LR cartridges of sub-sonic, standard, high, or hyper velocities only.

The magazine should be loaded before installing it to the rifle.

Load the magazine by inserting one cartridge at a time, pressing against the plastic follower and rearwards until it is fixed between the lips of the magazine (Fig. 6). Repeat the operation until the magazine is full, or until the desired number of cartridges have been loaded. **The magazine should be loaded with .22 Long Rifle cartridges only.**

Fig. 6



Before installing the magazine to the rifle, ensure the bolt is open and that the safety button is fully to the right at the "ON" (SAFE) position.

Insert the loaded magazine into the magazine opening until it snaps into its locked position.

Point the rifle in a safe direction and ensure the safety button is still positioned fully to the right at the "ON" (SAFE) position. Pull the bolt to its most rearward position and then push it to its forward position. The bolt will push one cartridge from the magazine to the chamber. **The rifle is now loaded.**



Do not touch the trigger until you are on target and have decided to fire.



Removing the magazine does not unload the rifle! The rifle will fire if a cartridge is chambered and the trigger is pulled, whether or not a magazine is in the rifle.

FIRING



Use of this product, including discharging firearms in poorly ventilated areas, cleaning firearms, or handling ammunition can result in exposure to chemicals, including lead, which are known to the State of California to cause serious physical injury, including cancer, birth defects or other reproductive harm. For more information, go to www.P65Warnings.ca.gov.

Have adequate ventilation at all times and wash hands thoroughly after exposure.

With the rifle pointed in a safe direction and held in the proper firing position, move the safety to its "OFF" (FIRE) position. Pulling the trigger through its full travel to the rear, will fire the rifle.



Should any cartridge fail to fire, keep the muzzle pointed in a safe direction for at least thirty (30) seconds in case the cartridge is a "hangfire" (delayed firing of the cartridge after being struck by the firing pin.) Then, remove the magazine (as it may still have loaded cartridges), then carefully lift the bolt handle, pull it as far back as it will go, and remove the misfired round. Move the safety button fully to the right to the "ON" (SAFE) position. Segregate the misfired cartridge from other ammunition. Do not attempt to refire a misfired round.



If at any time during firing, the sound of any cartridge is noticeably louder or softer than previous cartridges fired, STOP! Do not load or fire additional cartridges. Keep the muzzle pointed in a safe direction, remove the magazine (as it may still have loaded cartridges in it), and while keeping the ejection port and magazine well opening of the firearm turned away from your face (to protect your eyes in the event a defective cartridge explodes), lift and pull the bolt handle fully rearward. Visually and physically verify that the chamber is empty. Move the safety button fully to the right to the "ON" (SAFE) position. After unloading, inspect your firearm for possible damage or obstructions in the chamber or bore. Firing the firearm with a bore obstruction can cause damage to the firearm and may result in serious personal injury to the shooter and/or others nearby.

After the firearm is fired, raise the bolt handle and pull back as far as it will go. This motion will eject the spent casing.

To feed the next round, push the bolt lever fully forward, then down. The firearm is again ready to fire.

LOADING SINGLE CARTRIDGES

If desired or necessary, the rifle can be single loaded with a cartridge directly into the chamber. It will be easier to single load the rifle if the magazine is removed from the rifle. Pull the bolt fully rearward. Move the safety button fully to the right to the "ON" (SAFE) position, and keeping the barrel pointed in a safe direction, insert a cartridge directly into the chamber and close the bolt by pushing it forward and down.



The rifle is now loaded and will fire when the trigger is pulled with the safety in the "OFF" (FIRE) position whether or not the magazine is in the rifle.



Before inserting a new loaded magazine in the rifle move the safety button fully to the right to the "ON" (SAFE) position.



TO UNLOAD THE RIFLE

To interrupt shooting and unload the rifle, keep the rifle pointed in a safe direction, move the safety button fully to the right to the “ON” (SAFE) position, remove the magazine, raise the bolt handle and pull the bolt to its most rearward position, extracting and ejecting the round in the chamber.



Visually and physically inspect that there are no cartridges in the chamber or receiver.

As a safety procedure, every time shooting is interrupted or the rifle is unloaded, move the safety button fully to the right to the “ON” (SAFE) position, and move the bolt to the open position.

REMOVING THE BOLT FROM THE RIFLE

Push the safety button to the “ON” (SAFE) position. Visually and physically check to make certain there is no ammunition in the chamber or magazine. Keep the muzzle pointed in a safe direction at all times.

- A. Lift the bolt handle and pull the bolt to the rear of the action. Push the safety to the “OFF” (FIRE) position (Fig. 2).
- B. Depress the trigger fully and pull the bolt out of the receiver.
- C. Release the trigger and push the safety to “ON” (SAFE) position.

CLEANING AND LUBRICATION

With proper care, your Mossberg International® 802 Plinkster™(including 801 models) will provide you with years of dependable service. Your firearm should be inspected and cleaned periodically to insure that it remains in good condition. Clean your firearm as soon as possible after use. This is especially important if your firearm has been exposed to moisture. For maximum performance and continued satisfaction with your firearm, periodic cleaning and lubrication are essential. Wear eye protection during cleaning.

Use the instructions and equipment provided in a quality gun cleaning kit.

All metal parts should be cleaned with an appropriate gun cleaning solvent and lightly lubricated with gun oil. Over lubrication should be avoided. Use only lubricants specifically designed for firearms. Avoid the use of abrasives, which may damage the metal finish.

Normal use requires only that the mechanisms be free of excessive shooting residue. Very little lubrication other than a light oiling of external surfaces is needed to prevent rust.

If the rifle is to be stored for a long period of time it should be thoroughly cleaned and oiled. Do not plug the barrel or store the firearm in a case that will absorb lubricants.

CLEANING THE BARREL

To clean the barrel, first remove the magazine and bolt from the rifle as explained in this manual. Moisten a .22 caliber brass cleaning brush with solvent, and insert into the barrel from the breech side. Cleaning breech to muzzle, scrub the barrel several times.





Use a .22 caliber cleaning rod with a clean cloth patch to wipe the bore dry. Repeat several times, using a new patch each time, until the barrel is clean and shows no signs of residue.

Finally, wipe with a quality gun oil moistened patch. Do not over-lubricate, a light film is recommended.



Make sure the barrel is free of obstructions and excessive lubricant after cleaning. Be sure not to leave cleaning patches or excessive oil or grease in the bore as they can create dangerous obstructions. Obstructions of any kind can cause damage to the firearm and may result in serious personal injury to the shooter and/or others nearby.

FUNCTION TESTING



AFTER PERFORMING ANY WORK ON YOUR FIREARM SUCH AS CLEANING, DISASSEMBLY OR INSTALLATION OF AN ACCESSORY:

- a. Move the safety button fully to the right to the "ON" (SAFE) position and keep muzzle pointed in a safe direction.
- b. Remove magazine, open the action, and visually and physically check the chamber and inside the receiver, to be certain the firearm is unloaded.

Open and close the bolt several times to check for free movement of the action assembly, making sure the muzzle is pointed in a safe direction.

Close the bolt and leave the safety button in the "ON" (SAFE) position. Pull the trigger fully rearward. The firing pin striker should not release.

Remove your finger from the trigger. Move the safety button fully left to the "OFF" (FIRE) position. The firing pin striker should not release.

For firing pin cocked and released positions see Figs. 4a and 4b.

Leave the safety button in the "OFF" (FIRE) position. Make certain the firearm is pointed in a safe direction. Pull the trigger rearward. The firing pin striker should release.

When you have completed the function testing, open the action and move the safety button fully to the right to the "ON" (SAFE) position.



IF YOUR FIREARM DOES NOT PERFORM AS DESCRIBED IN ANY OF THE PREVIOUS STEPS, CONTACT THE FACTORY AUTHORIZED PRODUCT SERVICE CENTER IMMEDIATELY. DO NOT ATTEMPT TO USE THE FIREARM.

Firearms are complicated mechanisms. Any modification, alterations, or improper fitting of parts may result in a dangerous malfunction, damage to the firearm and injury to the shooter and other persons. The firearm's owner must accept full responsibility for the correct reassembly and functioning of the firearm after any disassembly or replacement of parts.



PRECAUTIONS AND CARE WITH YOUR RIFLE

When you store your rifle, make sure that the magazine and the chamber are empty. Keep the bolt open.

Handling leaves moisture prints that can cause metal parts to rust. Abrupt changes in temperature cause condensation and moisture. Wipe the barrel and other metal parts with light oil after handling.

REAR SIGHT ADJUSTMENTS

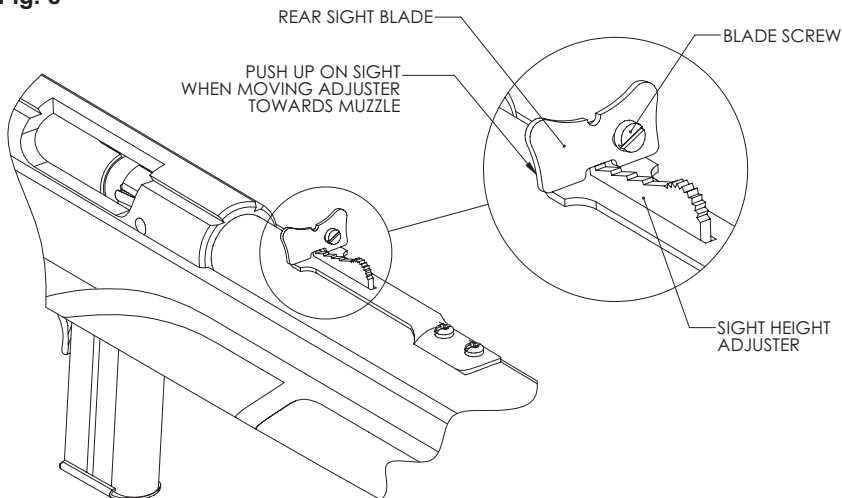


BEFORE MAKING ANY SIGHT ADJUSTMENTS:

- Keep the muzzle pointed in a safe direction, remove the magazine and open the action. Visually and physically inspect the chamber to be certain the rifle is unloaded.
- Move the safety button all the way to the right to the “ON” (SAFE) position.

Elevation adjustment: The rear sight adjuster has a saw-tooth configuration that allows the sight height to be varied. To raise rear sight, move the adjuster towards the stock, one notch at a time. To lower the rear sight, push up on the sight and move the sight adjuster towards the muzzle (Fig. 8).

Fig. 8



Windage Adjustment: Windage may be adjusted by moving the rear sight blade left or right. To move the blade, loosen the blade screw and slide the blade in the required direction (Fig. 8).

Remember: Move the rear sight in the same direction you would like the shot to move. For example, if the point of impact is low and left at the point of aim, move the rear sight upward and to the right.

SERVICE INSTRUCTIONS

Should your firearm or any component of your firearm require service, ship your entire firearm (please do not send components only), via your chosen carrier, postage paid (we do not accept C.O.D. shipments), following these instructions:

Repairs in the U.S.

For faster repair service, please start the process by filling out our Service Request Form online at <http://www.mossberg.com/service> prior to shipping your firearm.



- **Make absolutely certain your firearm is unloaded.**
- **Do not send ammunition with your firearm.**
- Remove all accessories from your firearm such as scopes, slings, scope mounts, etc.
- Ship your firearm in a suitable container, packaging it securely to prevent parts from shifting and/or damage during shipping.
- Include a note with a clear description of the service you wish us to perform, your complete return shipping address (no P.O. boxes please), your daytime telephone number and your e-mail address (if available).
- It is advisable to place your correspondence inside your shipping container when shipping.

SHIPPING ADDRESS

Mossberg Product Service Center
1001 Industrial Blvd.
Eagle Pass, TX 78852

If you have any service related questions, please contact the Product Service Center at (800) 363-3555 or service@mossberg.com

TO ORDER PARTS

To order parts from the Product Service Center, you can fax, phone, email, or mail your order to one of the below numbers/addresses.

Fax Number: (203) 230-5420

Phone Number: (800) 363-3555

E-mail Address: service@mossberg.com

Mailing Address: Mossberg Product Service Center
1001 Industrial Blvd.
Eagle Pass, TX 78852
Attn: Order Department

Please provide your name, address, city, state, zip, your daytime phone number and e-mail (if available). The Product Service Center will need the Model Number, Serial Number, Gauge/Caliber, Finish, Item Number, and Part Name. There is a \$7.50 (U.S.) minimum parts order charge. Most major credit cards, money orders, and bank drafts are accepted.

Service outside of the U.S.A.

For Mossberg firearm parts and service requirements outside of the United States, customers are requested to contact the closest Mossberg stocking dealer/distributor.



NOTES





NOTES



MOSSBERG INTERNATIONAL, INC. WARRANTY MODEL 802 PLINKSTER™ AND 801 HALF-PINT™ ONE (1) YEAR LIMITED WARRANTY

Limited Warranty: Mossberg International, Inc. ("Mossberg") warrants to you, the original retail purchaser of a new Mossberg International® Model 802 Plinkster™ and 801 Half-Pint™ (the "Mossberg firearm"), that the Mossberg firearm will be free of defects in material or manufacture for a period of one (1) year from the date of your purchase of the new Mossberg firearm (the "Warranty Period") in the United States or Canada. This is the only express warranty on the Mossberg firearm. MOSSBERG MAKES NO OTHER WARRANTIES OF ANY KIND OR CONDITIONS, INCLUDING, BUT NOT LIMITED TO ANY IMPLIED WARRANTY OF MERCHANTABILITY OR FITNESS FOR A PARTICULAR PURPOSE. This Limited Warranty gives you specific legal rights, and you may have other rights that vary from State to State.

Purchaser's Remedy: During the Warranty Period, Mossberg will, at its sole option, (1) repair the Mossberg firearm or any part thereof that, upon examination and testing by Mossberg, does not conform to the Limited Warranty without charge to you for parts or labor, or (2) replace the Mossberg firearm with a new or similar model. THIS REMEDY SHALL BE YOUR EXCLUSIVE AND SOLE REMEDY FOR ANY BREACH OF WARRANTY. MOSSBERG SHALL NOT BE RESPONSIBLE FOR ANY OTHER EXPENSES, LOSSES OR INCONVENIENCE THAT YOU MAY SUSTAIN AS A RESULT OF THE PURCHASE, USE, MALFUNCTION OR DEFECTIVE CONDITION OF THE MOSSBERG FIREARM. Mossberg reserves the right to inspect, examine and/or test the Mossberg firearm to assess any claim made under the Limited Warranty.

EXCLUSIONS: THIS WARRANTY DOES NOT COVER THE COSMETIC APPEARANCE OF THE MOSSBERG FIREARM OR ANY DAMAGE CAUSED BY:

- (1) NORMAL WEAR AND TEAR;
- (2) FAILURE TO PERFORM PROPER CARE AND MAINTENANCE;
- (3) ACCIDENTS, ABUSE OR NEGLIGENCE;
- (4) BARREL OR BORE OBSTRUCTIONS;
- (5) FAILURE TO FOLLOW THE INSTRUCTIONS AND WARNINGS THAT ACCOMPANY THE MOSSBERG FIREARM; OR
- (6) THE USE OF DEFECTIVE, NON-SAAMI STANDARD, REMANUFACTURED, HANDLOADED, AND/OR RELOADED AMMUNITION.

IN ADDITION, ANY UNAUTHORIZED REPAIRS, ALTERATIONS OR MODIFICATIONS TO THE MOSSBERG FIREARM WILL AUTOMATICALLY VOID THE LIMITED WARRANTY.

LIMITATION OF DAMAGES: EXCEPT WHERE PROHIBITED BY LAW, MOSSBERG WILL NOT BE LIABLE FOR ANY LOSS OR DAMAGE WHATSOEVER ARISING FROM THE USE OF THIS MOSSBERG FIREARM, WHETHER DIRECT, INDIRECT, SPECIAL, INCIDENTAL, CONSEQUENTIAL OR PUNITIVE, REGARDLESS OF THE LEGAL THEORY ASSERTED, INCLUDING CONTRACT, WARRANTY, NEGLIGENCE, OR STRICT LIABILITY. SOME JURISDICTIONS DO NOT ALLOW LIMITATIONS ON HOW LONG AN IMPLIED WARRANTY LASTS, OR THE EXCLUSION OF INCIDENTAL OR CONSEQUENTIAL DAMAGES, SO THE ABOVE LIMITATIONS MAY NOT APPLY TO YOU.

Warranty Service: To obtain service under this Limited Warranty, you must follow the instructions found in the "Service Instructions" section of the Owner's Manual and return the Mossberg firearm to the authorized Product Service Center. You are responsible for all shipping costs to the Product Service Center. Mossberg will not accept COD shipments of any Mossberg firearm for service. After repair or replacement, the Mossberg firearm or a similar model will be returned to you, return postage paid by Mossberg. If we replace the Mossberg firearm, we will keep the firearm that you returned to Mossberg.

Modification of Warranty: No agent, representative, distributor, or authorized dealer of Mossberg firearms has any authority to modify the terms or conditions of the Limited Warranty in any way. The Limited Warranty may only be modified in writing by an authorized officer of Mossberg.

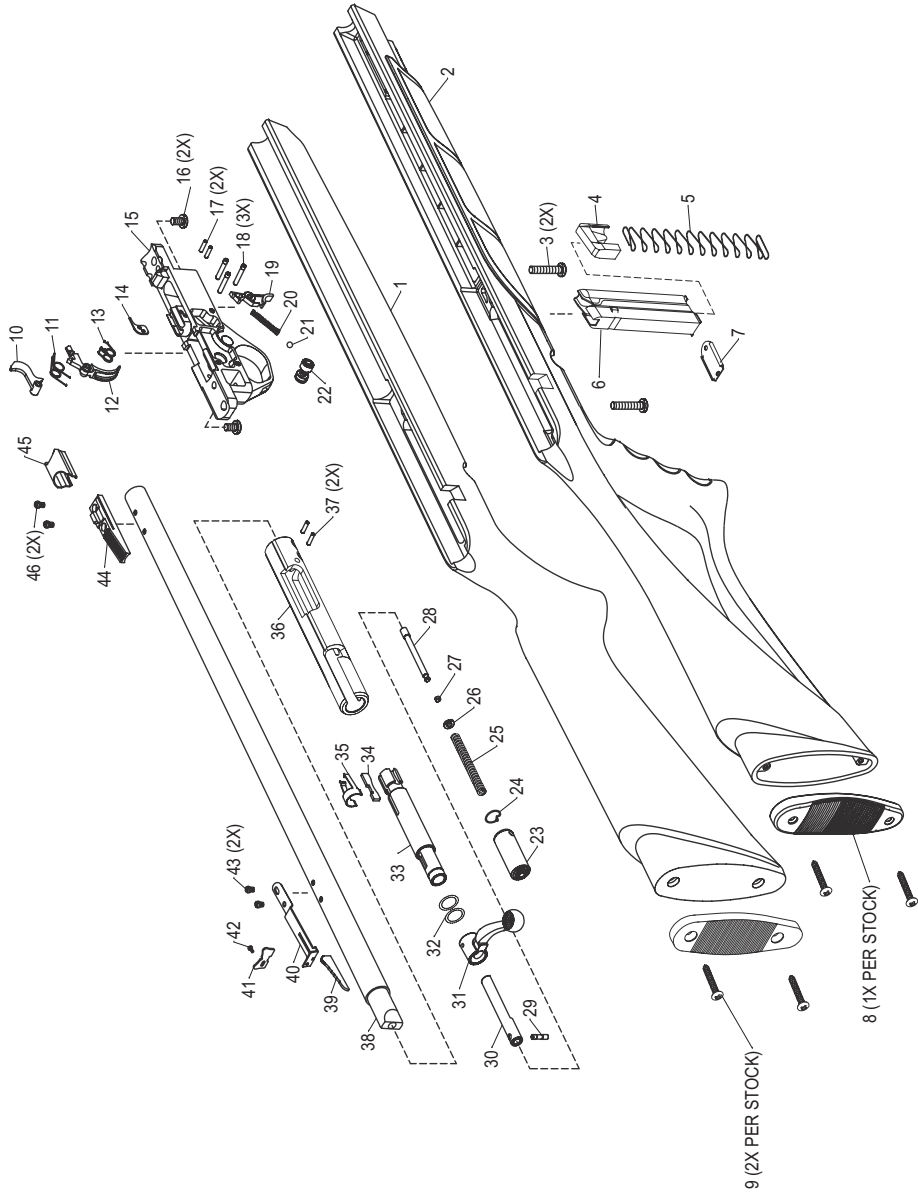
THIS LIMITED WARRANTY IS EFFECTIVE JANUARY 1, 2012.

PARTS LIST

<u>ITEM NO.</u>	<u>DESCRIPTION</u>	<u>ITEM NO.</u>	<u>DESCRIPTION</u>
01	STANDARD STOCK	24 *	RETAINING CLIP
02	THUMBHOLE STOCK	25 *	BOLT SPRING
03	ACTION SCREW	26 *	WASHER
04	MAGAZINE FOLLOWER	27 *	COCKING INDICATOR COLLAR
05	MAGAZINE SPRING	28 *	COCKING INDICATOR
06	MAGAZINE HOUSING	29 *	STRIKER CAM PIN
07	MAGAZINE BASE PLATE	30 *	STRIKER
08	BUTT PLATE	31 *	BOLT HANDLE
09	BUTT PLATE RETAINING SCREW	32 *	BOLT SHIM
10 *	SEAR	33 *	BOLT FRONT HOUSING
11 *	SEAR SPRING	34 *	FIRING PIN
12 *	TRIGGER	35 *	SHELL EXTRACTOR
13 *	TRIGGER SPRING	36 *	RECEIVER
14 *	EJECTOR	37 *	BARREL RETAINING PIN
15 *	TRIGGER HOUSING	38 *	BARREL
16 *	TRIGGER HOUSING SCREW	39	REAR SIGHT HEIGHT ADJUSTER
17 *	EJECTOR PIN	40	REAR SIGHT BASE
18 *	TRIGGER/SEAR/MAG RELEASE PIN	41	REAR SIGHT BLADE
19 *	MAGAZINE RELEASE	42	BLADE ADJUSTMENT SCREW
20 *	MAGAZINE RELEASE SPRING	43	REAR SIGHT SCREW
21 *	DETENT BALL	44	FRONT SIGHT
22 *	SAFETY BUTTON	45	FRONT SIGHT HOOD
23 *	BOLT REAR HOUSING	46	FRONT SIGHT SCREW

* Items on parts list are reserved for qualified gunsmiths or the authorized Product Service Center only.

EXPLODED VIEW



FIREARMS SAFETY DEPENDS ON YOU. MAKE NO MISTAKE ABOUT IT!

From the time an individual picks up a firearm, that individual shooter becomes a part of a system over which he or she has complete control. He or she is the only part of the system that can make a gun safe – or unsafe. Hunting and target shooting are among the safest of all sports. This booklet is intended to make them even safer – by re-emphasizing and reaffirming the basics of safe gun handling and storage and by reminding each individual shooter that he or she is the key to firearms safety. You can help meet this responsibility by enrolling in hunter safety or shooting safety courses. You must constantly stress safety when handling firearms, especially to children and non-shooters. Newcomers in particular must be closely supervised when handling firearms with which they may not be acquainted. Don't be timid when it comes to gun safety. If you observe anyone violating any safety precautions, you have an obligation to suggest safer handling practices, such as those in this booklet. Please read these rules carefully and follow the safety procedures outlined. Firearms safety is up to you. Make no mistake about it.

- 1. ALWAYS KEEP THE MUZZLE POINTED IN A SAFE DIRECTION**
- 2. FIREARMS SHOULD BE UNLOADED WHEN NOT ACTUALLY IN USE**
- 3. DON'T RELY ON YOUR GUN'S "SAFETY"**
- 4. BE SURE OF YOUR TARGET AND WHAT'S BEYOND IT**
- 5. USE CORRECT AMMUNITION**
- 6. IF YOUR GUN FAILS TO FIRE WHEN THE TRIGGER IS PULLED, HANDLE WITH CARE**
- 7. ALWAYS WEAR EYE AND EAR PROTECTION WHEN SHOOTING**
- 8. BE SURE THE BARREL IS CLEAR OF OBSTRUCTIONS BEFORE SHOOTING**
- 9. DO NOT ALTER OR MODIFY YOUR GUN, AND HAVE GUNS SERVICED REGULARLY**
- 10. LEARN THE MECHANICAL AND HANDLING CHARACTERISTICS OF THE FIREARM YOU ARE USING**

*Courtesy of
Sporting Arms and Ammunition Manufacturers' Institute, Inc.*