

OPERATING INSTRUCTIONS

Desert Eagle Gas Operated Semi-Automatic Pistol



DESERT EAGLE

Caliber: 50 A.E., 44 Magnum, 429 DE Magnum, 357 Magnum
California Approved: 44 Magnum



WARNING!

Read and fully understand this manual before removing this firearm from its package.

THIS PISTOL WILL FIRE IF THE TRIGGER IS PULLED!

The pistol should be considered loaded and ready to fire until the magazine has been removed and the chamber has been checked to verify that the firearm is unloaded.

Be sure to read and fully understand all "Important Safety Instructions" shown in red type.

Discharging firearms in poorly ventilated areas, cleaning firearms, or handling ammunition may result in exposure to lead or other substances known to the State of California to cause birth defects, reproductive harm, and other serious physical injury. Have adequate ventilation at all times. Wash hands thoroughly after exposure.

DO NOT USE LEAD BULLETS.

(see page 30)



WARNING:

Cancer and Reproductive Harm -
www.p65warnings.ca.gov



**MAGNUM
RESEARCH®**

Manufactured

MAGNUM RESEARCH, INC.®

Factory: 12602 33rd Avenue SW, Pillager, MN 56473

Sales: 218-746-3459 | Fax: 218-746-3397

Support & Service: 218-746-3459 | Fax: 218-746-3097

Website: MagnumResearch.com

<u>Contents</u>	<u>Page</u>
1. General Instructions and Basic Rules of Firearm Safety	2
2. General Description	6
3. Technical Data.	7
4. Exploded View	8
5. Parts Lists	10
6. Specifications	12
7. Operating Principles.	13
8. Operating Instructions.	13
9. Disassembly and Assembly.	18
10. Additional Assembly	20
11. Care and Cleaning	23
12. Troubleshooting	24
13. Notes on Reliability.	26
14. Warranty and Liability Exclusions.	26
15. Limited One-Year Warranty	27
16. Contact and Shipping	29
17. Recommended Ammunition	29

1. GENERAL INSTRUCTIONS AND BASIC RULES OF FIREARM SAFETY

Always assume that the Desert Eagle pistol or any other firearm is loaded and capable of being discharged until you (the handler) have personally removed the magazine, inspected the chamber, and completed the unloading procedure as presented on page 16. If this procedure is not followed, the firearm must be considered loaded and capable of being fired. Even after you verify that a gun is unloaded, you should continue handling it as you would a loaded gun, and make sure that others around you do the same.

Never transport a loaded firearm.



WARNING! Do not handle firearms when you are tired, cold, or impaired physically or mentally in anyway.

- Point the muzzle in a safe direction at all times—a “safe direction” is one in which, if the firearm were to discharge, there would be no injury to anyone. Never point a firearm, whether you think it is loaded or unloaded directly at another person or at yourself. Consider that a bullet can ricochet off pavement, floors, walls, rocks, the ground, water, ice or almost any other object it strikes. Also, bullets can penetrate walls, ceilings, floors, doors, windows, and many other materials to kill or injure someone on the opposite side.

Important Safety Information

CAUTION: Failure to observe safety instructions in this manual can result in property damage, personal injury or death.

CAUTION: Prior to loading and firing, carefully read and understand this instruction manual. It gives basic advice on the proper handling and functioning of the Desert Eagle pistol.

Important Safety Information

CAUTION: Your safety and safety of your family and others depends on your safe and mature adoption, development and consistent employment of SAFE FIREARMS HANDLING PRACTICES. If you are unfamiliar with firearms, seek further advice through safe handling courses run by your local gun clubs, approved instructor, or similar qualified organizations.

- To reduce the possibility of an accidental discharge, do not place your finger on the trigger until the firearm is pointed at the target and you intend to fire. When handling, carrying, or holstering the pistol make sure that the trigger cannot be snagged by a foreign object. This can discharge the pistol.

If you do not want the firearm to fire, keep your finger off the trigger.

- Be sure of your target and what is around and beyond it. The bullet fired from your pistol can travel over a mile, and has the potential to kill or seriously injure someone at that distance! You must positively identify your target as something you intend to shoot. Fire only with a safe backstop behind your target—something that will stop and contain the projectiles you fire, even if you miss the target or your bullet passes through it.

- Whenever you handle a firearm that, even momentarily, has been out of your direct control, start by checking its condition to determine whether or not it is loaded. A firearm in your hands is a lethal weapon which is your responsibility, so you must check it yourself. Do not rely on someone else to check it. Do not take someone else's word for the firearm's condition. **Do not rely on your memory of having checked the firearm previously, or on your belief that you left it unloaded that last time you used or handled it. Check it again yourself.**

- Never give a firearm to anyone, or take a firearm from anyone, unless it is unloaded and the action is open. If someone hands you a firearm with the action closed ask someone who knows how to handle the firearm to open the action and allow you to verify that it is unloaded.

- When firing with a two hand grip, keep the thumb of the weak hand on the weak hand side of the firearm, never behind the slide or under the magazine.

- Any firearm, including the Desert Eagle pistol, is a dangerous device. Firearms should be unloaded when not in use. All firearms must be safely stored to prevent access by unauthorized persons, especially children.

- Load your firearm only when you are on the target range or in the field and ready to begin using it. Unload your firearm as soon as you are finished shooting. Never leave a loaded firearm unattended, not even for a moment.

- Always store ammunition separately from firearms.

- This manual is applicable only to the Desert Eagle pistol. All instructions, warnings and precautions may not be applicable to any other make or model.

- For all sales contracts with Desert Eagle, the place of jurisdiction shall be Delaware, and Delaware State Law shall be applicable.

WARNING: It is possible that a live round may remain in the chamber when the magazine has been removed or inserted.

Any round in the chamber will discharge when pulling the trigger regardless of whether the magazine is inserted or removed.

Therefore, never leave the pistol unattended, even if the magazine is removed and exercise extreme caution after removing the magazine.

Important Safety Information

You must personally verify that the chamber is empty before field-stripping the firearm for cleaning or any other reason.

Never place your finger on or near the trigger when operating the slide.



WARNING! Keep your finger off the trigger and outside the trigger guard until you are aiming at a proper target and have decided to fire. Failure to do so could cause serious injury or death.



WARNING! Keep hands, fingers and other body parts from touching the muzzle, barrel or chamber after firing, they could be burned by hot metal.



WARNING! If dropped or struck, whether the safety is “on” or “off” any firearm may fire, causing serious injury or death. Keep the pistol chamber unloaded unless actually firing! Keep the safety “on” unless actually firing! When carrying or handling the Desert Eagle pistol, keep it pointed in a safe direction, and carry it in such a way that you can safely control the direction in which the muzzle points even if you should slip, stumble or fall.



WARNING! ANY FIREARM MAY FIRE IF DROPPED.



WARNING! Fired cartridge cases ejected from the Desert Eagle pistol are extremely hot and can cause serious burns. In addition, the painful burn from a hot cartridge case can

distract a shooter from keeping their firearm pointed safely, and from other safe handling practices, which can cause a dangerous situation or an accident when firing. Stay clear, and keep others clear, of the right side and behind of the pistol where the hot cartridge cases are ejected. Wear close-fitting clothing, avoiding clothing with open collars and necklines into which hot cartridge cases can fall. A baseball cap, visor, or other brimmed hat worn so the brim covers the top of the wearer’s safety glasses can offer additional protection to the wearer’s face and eyes, preventing hot cases from falling into any gap between the top of the safety glasses and the wearer’s forehead, possibly causing a serious burn to the eye.



WARNING! Use only appropriate accessories for your Desert Eagle pistol. Be sure holsters, sights and sight mounts, lighting devices, and other accessories are compatible with the firearm and do not interfere with its safe operation. If in doubt, consult Magnum Research, Inc. The manufacturer is not responsible for any damage or injury caused by the use of improper accessories.



WARNING! When shooting, be alert that no one comes into the line of fire. Check the backstop and target area carefully each time before you begin to fire to make sure it is free of people.

WARNING: If the Desert Eagle pistol or any other firearm is carelessly or improperly handled, the user could cause an unintentional discharge which could result in death, serious injury, and/or property damage.

CAUTION: The Desert Eagle pistol is classified by the Bureau of Alcohol, Tobacco, Firearms and Explosives as a firearm or dangerous weapon. It is therefore potentially lethal! Read this entire instruction manual carefully. It is essential to follow the safety instructions for your safety and the safety of others.

Important Safety Information

WARNING: If safety lever is engaged, the Desert Eagle pistol has several design features and internal mechanical safety features designed to prevent accidental discharges in the event that the pistol is dropped or receives a severe blow.

Like any mechanical device, when subjected to extreme forces not normally encountered in sporting, law enforcement, or military use, a part failure can occur. Therefore, extra care and strict adherence to the safety



WARNING! Never continue to use your Desert Eagle pistol if it is not functioning properly. Never force a jammed action, as the jammed cartridge may explode if the primer is crushed or pressed against any metal part of the pistol.



WARNING! If the sound from your ammunition does not sound normal, a low powered (“squib”) load may have left a bullet in the barrel. If this occurs, do not fire another cartridge! Unload the pistol and remove the barrel and check the inside of the barrel for any type of barrel obstruction. Firing a cartridge with a bore obstruction can result in destruction of your Desert Eagle pistol and potential injury or death to you or someone nearby.



WARNING: AMMUNITION

Never use ammunition not specifically designed for use in your firearm. Proper ammunition for your Desert Eagle pistol will be designated on the left side of the barrel. Failure to use the correct type or caliber of ammunition may cause the firearm to jam, fail to fire, cause a bore obstruction or may generate excessive pressure which can destroy the pistol and cause personal injury or death.

Never use non-standard, reloaded or “hand-loaded” shells. Ammunition that is improperly manufactured may fail to fire, may result in a “squib” load resulting

in a bore obstruction or may generate excessive pressures which can destroy the pistol and cause personal injury or death.

Jacketed or plated bullets provide best functioning and reliability. **Do not use unjacketed lead bullets.** Full metal jacket bullets may be used if they have a fully encapsulated base (no open lead core base). The Desert Eagle pistols are designed for: 357 Magnum ammunition (158 grains), 44 Magnum ammunition (240 grains), 429 DE (210/240 grains) and .50 Action Express ammunition (300/350 grains), in accordance with industry standards (SAAMI STD). Use of non-standard or reloaded ammunition nullifies the factory warranty. For more information about other commercial loads which work in the Desert Eagle pistol, contact:

Magnum Research, Inc.

12602 33rd Avenue SW, Pillager, MN 56473

Customer Service: 218-746-3459

E-mail: info@magnumresearch.com

instructions and other instructions contained in this manual are mandatory to minimize the risk of accidents.

CAUTION: The proper and safe function of the Desert Eagle pistol cannot be assured if any parts have been altered or modified.

Important Safety Information

WARNING: Always keep the firearm unloaded until you are ready to shoot. When the firearm is loaded, do not touch the trigger unless you intend to fire!

WARNING: If the Desert Eagle pistol appears to be operating improperly for any reason, danger of an unintentional discharge exists. The firearm must be immediately unloaded and not used until it is repaired. Make sure that the pistol is properly repaired and checked by Magnum Research or an authorized gunsmith before using it again.



WARNING: RECOIL SPRING ASSEMBLY

To prevent damage to your pistol be sure to inspect the recoil spring installation for proper arrangement before firing, (see page 19 for details). Failure to do so may result in a broken pistol.



WARNING! All firearms are dangerous objects—pistols included. Always consider the pistol loaded. To render it safe, first

place the safety in the “on” position, then remove the magazine, and eject any remaining round by pulling the slide to the rear. It is dangerous to alter or modify this firearm in any way. Any alternations or modifications of the firing mechanism may result in this firearm becoming unsafe and nullifies the factory warranty. User is advised to read the entire manual prior to handling the pistol for the first time.



WARNING: LEAD EXPOSURE

Discharging firearms in poorly ventilated areas, cleaning firearms, or handling ammunition may result in exposure to lead and other substances known to cause birth defects, reproductive harm and other serious physical injury. Have adequate ventilation at all times. Wash hands thoroughly after exposure.

Avoid eating, handling food and touching your face and eyes while handling or cleaning firearms.

2. GENERAL DESCRIPTION

The 357 Mag, 44 Mag, 429 DE Mag, and 50 A.E. Desert Eagles are gas-operated, semi-automatic pistols. The Desert Eagle is unique in its class and represents a new functional approach in handguns. In addition to its high accuracy, it offers the convenience of firing standard rimmed 357 Mag, 44 Mag or rebated 429 DE Mag & 50 A.E. cartridges, which are widely available. Each round is automatically loaded until the magazine is empty. The slide is then held open by the slide stop lever.

KEY FEATURES

The Desert Eagle Gas Operated Semi-Automatic Pistol incorporates key features:

- A safety catch is operable from either side. When in the “ON” position blocks the firing pin and at the same time disconnects the trigger from the firing mechanism.
- The polygonal rifling reduces barrel wear and enhances the seal between the bullet and the bore.
- Field stripping is simple since the pistol has only six main sub assemblies, including the magazine.
- The rotating bolt interlocks with the barrel during firing.
- The barrel assembly contains the gas operating system.

Important Safety Information

SAFETY RULES:

1. Always handle any firearm as if it were loaded to avoid unintended discharges.
2. Never point any firearm at anything you do not intend to shoot.
3. Never take anyone’s word that any firearm is unloaded. Check for yourself with fingers off the trigger, and the firearm pointed in a safe direction.

4. Always be sure barrel and action are clear of obstructions. First remove the magazine and unload the pistol, then clear obstructions immediately so that firearm will function correctly and safely.

5. Never squeeze the trigger or put your finger in the trigger guard until you are aiming at the target you intend to shoot.

6. Never store a loaded firearm. Unload the Desert Eagle pistol as described on page 16. After verifying that the firearm is empty and magazine out, point the firearm in a

- Anatomically formed grip, ideal hand seating angle, and comfortable grip dimensions permit rapid, accurate, instinctive shooting.
- The combat-type trigger guard is designed for two-handed shooting.
- Closed construction gives adequate protection against dirt.
- Most parts are manufactured by precision CNC equipment to strict tolerances, and with dedication to quality, durability and modern manufacturing methods.
- The pistol comes equipped with standard combat sights. In addition, the optional fully adjustable rear sight with target-type front sight may be used.

3. TECHNICAL DATA

Method of Operation: Gas

Rifling Type: R.H. 6-Rib polygonal barrel

Method of Locking: Rotating Bolt

Sights: Combat sights—sight line radius, 8.5 in. (21.5 cm) (6 in. barrel)

UNIVERSAL 5 IN 1 CLEANING TOOL (3. Figure 1)



safe direction and pull the trigger. Store the Desert Eagle pistol in the provided container in this condition only.

7. Never shoot at a hard surface, such as a rock, or a liquid surface, such as water. A bullet may ricochet and travel in any direction to strike you or an object you cannot see.

8. Always be sure your backstop is adequate to stop and contain bullets before shooting so that you do not hit anything outside the range area.

1. Reamer Head – used to clean carbon deposits from the gas cylinder. Remove barrel from pistol (see page 19), place reamer head in cylinder and work back and forth to remove carbon deposit.

2. Firing Pin Tool – used for removing the firing pin. Use tool to push in the firing pin and remove firing pin stop.

3. Bolt Guide Pin Tool – used to remove bolt from slide. Use tool to pull the bolt guide pin from the bottom of the slide and remove bolt.

NOTE: Firing pin must be removed first.

4. Grip Pin Tool – used to push in the grip pin at bottom of grip to allow removal of the handgrips (IWI models only).

5. Magazine Disassembly Tool – used to remove base for disassembly of magazine. Use on the bottom of the magazine and remove base to disassemble magazine.



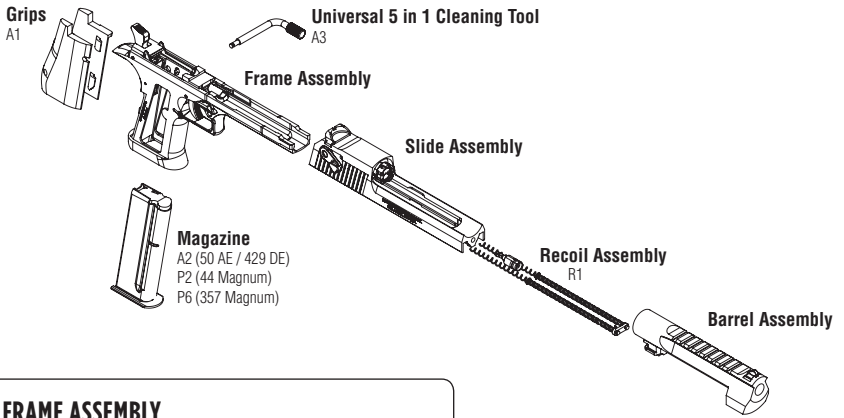
WARNING: Wear safety glasses when disassembling the magazine—the magazine spring is under tension and could cause serious eye injury if released suddenly.

9. Always be sure of your target and the area behind it before you shoot. A bullet can travel through or past your target up to 1 mile. If in doubt, do not shoot.

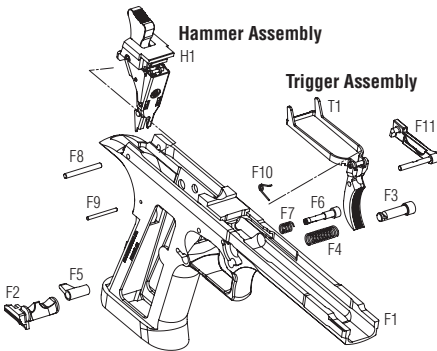
10. Always put a responsible and competent person in charge to maintain safety and discipline when a group is firing on a range to reduce the possibility of accidents.

11. Always carry a firearm empty and open while at a public or private range, until you are ready to fire. Keep it pointed towards the backstop during loading, firing and unloading.

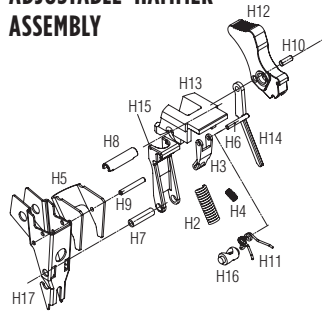
4. EXPLODED VIEW (DESERT EAGLE 50 A.E. PISTOL, MARK XIX)



FRAME ASSEMBLY



ADJUSTABLE HAMMER ASSEMBLY



12. Never leave a firearm unattended. Anyone, especially a child, may fire it.

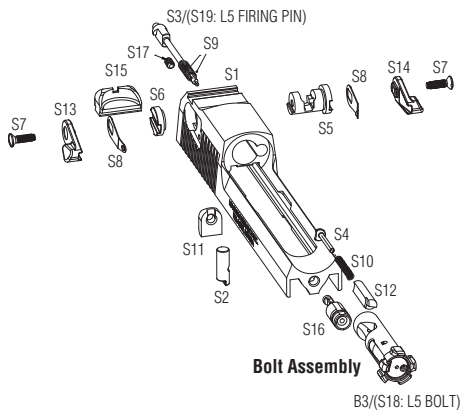
13. Never use a firearm that fails to function properly and never force a jammed action, as the jammed round may discharge.

14. Always transport the Desert Eagle pistol unloaded with the hammer down in a locked case.

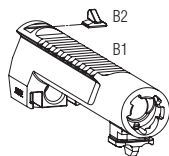
15. Failure to fire:

- Keep the firearm pointed toward the target and wait 30 seconds after it fails to fire. If a hangfire (slow ignition) has occurred, round should fire within 30 seconds. If round does not fire by then, remove the magazine, eject the round and check for an obstruction. Then, examine the primer. If firing pin indent on primer is light, off center, or nonexistent, have the firearm examined by a competent gunsmith. If the firing pin indent on primer appears normal (like similar previously fired rounds) the ammunition may be at fault.

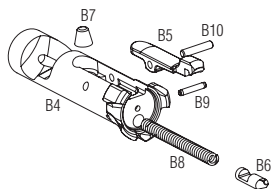
SLIDE ASSEMBLY



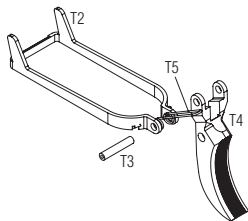
BARREL ASSEMBLY



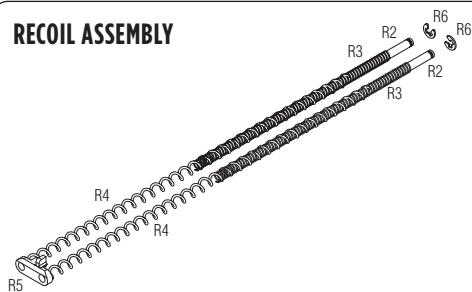
BOLT ASSEMBLY



TRIGGER ASSEMBLY



RECOIL ASSEMBLY



• Segregate misfired round from other live ammunition and empty cases, and continue firing.

NOTE: Dispose of misfired round in accordance with ammunition manufacturer's instructions.

16. Never discharge a firearm near an animal unless it is trained to accept the noise. A startled animal could injure itself or cause an accident.

17. Never walk, climb, follow a companion or hunt with your pistol in your hand and ready to fire (in battery).

18. When preparing to fire, be sure that the area behind the slide is free of obstructions (watch your thumb) as the slide will move back sharply upon firing.

19. Never drink alcoholic beverages or take drugs before or during shooting as your vision and judgment can be seriously impaired, making your firearm handling unsafe.

20. Always seek a doctor's advice if you are taking medication to be sure you are fit to shoot and handle a firearm safely.

5. PARTS LISTS

DESERT EAGLE 50 A.E. PISTOL, MARK XIX

BARREL ASSEMBLY (Page 9)

Key	Part Name	Part No.
B1	...Barrel Assembly, 6"	DE10004
B2	...Sight, Front	DE01025
B2	...Tall Front Sight, DE429	DE01026

ADJUSTABLE HAMMER ASSEMBLY (Page 8)

Key	Part Name	Part No.
H1	...Hammer Assembly	DEP200
H2	...Hammer Spring	DE01044
H3	...Trigger Adjusting Bracket	DE01053
H4	...Trigger Adjusting Screw	DE01054
H5	...Securing Plate	DE01051
H6	...Sear Spring Pin	DE01048
H7	...Sear Bushing	DE01047
H8	...Hammer Busing	DE01050
H9	...Pin Mechanism	DE01052
H10	...Hammer Pin	DE01057
H11	...Spring Sear	DE01074
H12	...Hammer	DE01055
H13	...Hammer Housing	DE01043
H14	...Hammer Rod	DE01056
H15	...Sear	DE01046
H16	...Hammer Spring Bracket	DE01045
H17	...Mechanism Housing	DE01049

BOLT ASSEMBLY (Page 9)

Key	Part Name	Part No.
B3	...Bolt Assembly	BOLT4450
B4	...Bolt	DE01032
B5	...Extractor	DE01014
B6	...Ejector	DE01011
B7	...Extractor Polymer Spring	DE01035
B8	...Ejector Spring	DE01015
B9	...Ejector Pin	DE01033
B10	...Extractor Pin	DE01034

FRAME ASSEMBLY (Page 8)

Key	Part Name	Part No.
F1	...Frame	DE01066
F2	...Barrel Lock	DE01062
F3	...Barrel Lock Pin	DE01036
F4	...Barrel Lock Spring	DE01018
F5	...Magazine Catch	DE01063
F6	...Magazine Catch Pin	DE01037
F7	...Magazine Catch Spring	DE01019
F8	...Hammer Bar Pin	DE01039
F9	...Sear Pin	DE01038
F10	...Slide Catch Spring	DE01020
F11	...Slide Catch Assembly	DE01061

21. Always wear ear protection when shooting, especially on a range. Without ear protection, the noise of firing can lead to cumulative long-term and permanent hearing loss.

22. Always wear protective shooting glasses for eye protection. Do not hold an auto-loading pistol near your eye or face as the slide will move back sharply upon firing.

23. Always make sure that any firearm is unloaded before cleaning, storing or transporting. When handing the Desert Eagle pistol to another person, be sure that the slide is locked open, the chamber is empty and the magazine removed.

24. Always keep clear and keep others clear of the ejection port, as spent cartridges are ejected with enough force to cause injury.

25. Never place fingers in the ejection port; they could be injured by the slide moving forward unintentionally.

RECOIL SPRING ASSEMBLY (Page 9)

Key	Part Name	Part No
R1	...Recoil Spring Assembly	DEP500
R2	...Recoil Spring Rod (2 each)	DE01006
R3	...Inner Recoil Spring (2 each)	DE01012
R4	...Outer Recoil Spring (2 each)	DE01013
R5	...Recoil Spring Plate	DE01027
R6	...Retaining Ring (C-CLIP)	DE01059
	2 per Assembly / USA	

SLIDE ASSEMBLY (Page 9)

Key	Part Name	Part No.
S1	...Slide	DE01064
S2	...Bolt Guide Pin	DE01004
S3	...Firing Pin	DE01003
S4	...Bolt Stabilizer Guide Pin	DE01005
S5	...Safety Left	DE01007
S6	...Safety Right	DE01008
S7	...Safety Screw (2 each)	DE01009
S8	...Safety Leaf Spring (2 each)	DE01010
S9	...Firing Pin Spring	DE01016
S10	...Bolt Stabilizer Spring	DE01017
S11	...Firing Pin Stop	DE01029
S12	...Bolt Stabilizer Pin	DE01030
S13	...Safety Lever Right	DE01075
S14	...Safety Lever Left	DE01076
S15	...Sight, Rear	DE01031

SLIDE ASSEMBLY PARTS UNIQUE TO L5 (Page 9)

Key	Part Name	Part No.
S16	...Gas Piston	DE01117
S18	...Bolt	DE30011
S19	...Firing Pin	DE01099

SLIDE ASSEMBLY PARTS UNIQUE TO STAINLESS MODEL & L5 (Page 9)

Key	Part Name	Part No.
S17	...Nylon Set Screw	DE01111

TRIGGER ASSEMBLY (Page 9)

Key	Part Name	Part No.
T1	...Trigger Assembly	DEP300
T2	...Trigger Bar	DE01042
T3	...Trigger Rod Pin	DE01041
T4	...Trigger	DE01073
T5	...Trigger Spring	DE01021

ACCESSORIES (Page 8)

Key	Part Name	Part No.
A1	...Grips, Hogue Rubber 2-Piece	DE01085
A2	...Magazine, 50 AE / 429 DE, 7 rd.	MAG50
A3	...Universal 5 in 1 Cleaning Tool	DEP151
A4	...Muzzle Brake, 50 AE	DEPMB50

PARTS/ ACCESSORIES UNIQUE TO 44 MAGNUM

Key	Part Name	Part No.
P1	...Barrel Assembly, 6"	BAR446
P2	...Magazine, 44 Magnum, 7rd.	MAG44
P3	...Bolt Assembly, 44 Magnum	BOLT4450
P4	...Muzzle Brake, 44 Magnum	DEPMB44

PARTS/ ACCESSORIES UNIQUE TO 357 MAGNUM

Key	Part Name	Part No.
P5	...Barrel Assembly, 6"	BAR357
P6	...Magazine, 357 Magnum, 7rd.	MAG357
P7	...Bolt Assembly, 357 Magnum	BOLT357
P8	...Extractor, 357 Magnum	DE30003
P9	...Ejector, 357 Magnum	DE30005

PARTS/ ACCESSORIES UNIQUE TO CA MODEL

Key	Part Name	Part No.
P10	...Slide (CA)	DE01064
P11	...Barrel (CA)	DE20014
P12	...Firing Pin (CA)	DE01003-CA
P13	...Firing Pin Stop (CA)	DE01029-CA
P14	...Plate Plunger (CA)	DE20010-CA

Serial Number Clarification: Models with serial numbers beginning with two letters are made in the USA. Models with only numbers are made in Israel.

6. SPECIFICATIONS

	L5 ALUMINUM	L6 ALUMINUM	STAINLESS STEEL	STANDARD
Length w/ 6 Inch Barrel	9.75"	10.75"	10.75"	10.75"
Length w/ 10 Inch Barrel	N/A	14.75"	14.75"	14.75"
Height	6.25"	6.25"	6.25"	6.25"
Width	1.25"	1.25"	1.25"	1.25"
Trigger Reach	2.75"	2.75"	2.75"	2.75"
Sight Radius	7.5"	8.5"	8.5"	8.5"
Weight w/ Empty Magazine	50 AE: 3 lbs, 0.6 oz., 44 Mag: 3 lbs, 1.0 oz., 357 Mag: 3 lbs, 1.2 oz.	50 AE: 3 lbs, 11 oz., 44 Mag: 3 lbs, 12 oz., 429 DE: 3 lbs, 14 oz., 357 Mag: 3 lbs, 13 oz.	50 AE: 4 lbs, 7 oz., 44 Mag: 4 lbs, 8 oz., 429 DE: 4 lbs, 8 oz., 357 Mag: 4 lbs, 10 oz.	50 AE: 4 lbs, 6 oz., 44 Mag: 4 lbs, 7 oz., 429 DE: 4 lbs, 10 oz., 357 Mag: 4 lbs, 9 oz.
Polygonal Rifling (Right Hand Twist)	50 AE: 1 in 19, 44 Mag: 1 in 18, 357 Mag: 1 in 14	50 AE: 1 in 19, 44 Mag: 1 in 18, 429 DE: 1 in 18, 357 Mag: 1 in 14	50 AE: 1 in 19, 44 Mag: 1 in 18, 429 DE: 1 in 18, 357 Mag: 1 in 14	50 AE: 1 in 19, 44 Mag: 1 in 18, 429 DE: 1 in 18, 357 Mag: 1 in 14
Magazine Capacity	50 AE: 7 rd, 44 Mag: 8 rd, 357 Mag: 9 rd	50 AE: 7 rd, 44 Mag: 8 rd, 429 DE: 7 rd, 357 Mag: 9 rd	50 AE: 7 rd, 44 Mag: 8 rd, 429 DE: 7 rd, 357 Mag: 9 rd	50 AE: 7 rd, 44 Mag: 8 rd, 429 DE: 7 rd, 357 Mag: 9 rd
Groove Diameter	50 AE: .500, 44 Mag: .429, 357 Mag: .355	50 AE: .500, 44 Mag: .429, 429 DE: .429, 357 Mag: .355	50 AE: .500, 44 Mag: .429, 429 DE: .429, 357 Mag: .355	50 AE: .500, 44 Mag: .429, 429 DE: .429, 357 Mag: .355

26. Never place fingers on a hot slide or barrel during or after firing, as they could be burned by the hot metal.

27. Only use high-quality commercially manufactured ammunition, in excellent condition and in the correct caliber for your pistol. The use of reloaded ammunition will void the warranty because reloads or poor quality ammunition may not meet industry specifications (SAAMI and/or NATO), may exceed pressure limits and could be unsafe.

28. Do not shoot the Desert Eagle pistol near any part of your body as the slide will move back sharply upon firing.

29. Always unload the firearm immediately after firing.

30. Do not allow anyone to handle or attempt firing the Desert Eagle Pistol until they have read and understood this manual.

7. OPERATING PRINCIPLES

FOR TESTING FUNCTION, ALWAYS USE AN UNLOADED PISTOL WITH AN EMPTY CHAMBER AND WITHOUT THE MAGAZINE INSERTED.

Before firing the pistol, the bolt is locked by three lugs in the barrel assembly. When firing the pistol, propellant gases pass through a hole underneath the bore of the barrel into the gas cylinder and push the piston, which moves the slide backwards. During this movement the pressure in the chamber is reduced, and the bolt is unlocked and carried to the rear by the slide. When the bullet has left the barrel, the empty cartridge case is extracted and ejected by the continuing movement of the slide and the bolt to the rear. At the same time, the slide pushes the hammer downward into the cocked position where it is retained by the sear. The recoil springs are compressed.

FORWARD MOVEMENT

When the recoil springs expand they drive the slide and bolt forward. The bolt cannot rotate because the stabilizer pin retains it. When the bolt pushes another round from the magazine and inserts it into the chamber, the locking lugs on the bolt come into contact with the recesses in the barrel and the bolt is rotated, which locks the cartridge in the chamber. Now the trigger bar is opposite the recess in the safety, and can move upward engaging the sear. When pulling the trigger, the sear releases the hammer, which hits the firing pin and fires the chambered cartridge.

When the last cartridge is fired and the empty case is ejected, the slide is retained in its rear position by the slide catch. The slide catch is actuated by the magazine follower. The catch releases the slide when depressed by hand or when the slide is pulled slightly to the rear.

PROPER GRIP FOR SHOOTING THE DESERT EAGLE

Improper grip is one of the most common “problems” reported to our service team. Use a two-handed grip with the trigger hand “pushing” and the off hand “pulling” to create a stable platform. Maintain your push-pull grip throughout the firing sequence, absorbing recoil in your shoulders - NOT your wrists. The shooter must provide enough resistance when firing the gun for the slide to fully move rearward and eject the fired case. You cannot shoot the Desert Eagle pistol like your 1911 semi-auto. (See page 17)

SAFETY FEATURES

The safety catch levers are located at the rear of the slide, just below the rear sight. They are accessible from either side of the pistol. When moving the front end of the safety catch lever downward, the safety catch is engaged and red dot is not visible. In this position the firing pin movement is stopped by the safety catch and the trigger bar, which is pushed down and cannot engage the sear, which neutralizes the trigger.

NOTE: Due to the above features, it is not possible to engage the sear when the firearm is not in battery. Because of the unique blocking of the firing pin by the safety, the pistol will not fire when dropped accidentally on its hammer or on its muzzle when the safety is properly engaged (on “SAFE”)

8. OPERATING INSTRUCTIONS

SAFETY CHECKS

1. Pull hammer slightly to the rear until a click is heard; the hammer is now in half-cock position.
2. Move the front end of the safety catch lever down into the “SAFE” position.

3. Press the magazine release button on the left hand side of the pistol and remove the magazine. (8. Figure 1)



4. Draw the slide to the rear, check the chamber visually to ensure that the pistol is unloaded and release the slide.

5. Point the pistol in safe direction and pull the trigger to check whether the safety is working properly (the hammer should not move).

6. Move the safety lever up into the “FIRE” position; a red dot will be visible.

7. Pull the trigger to release the hammer.

8. Pull the hammer into half-cock position and move the safety catch lever into the “SAFE” position.

FILLING AND EMPTYING THE MAGAZINE

WHEN LOADING THE DESERT EAGLE PISTOL, ALWAYS BE SURE THAT THE PISTOL IS POINTED IN A SAFE DIRECTION AND THAT THE TRIGGER FINGER IS OUT-SIDE OF THE TRIGGER GUARD AND WELL AWAY FROM THE TRIGGER.

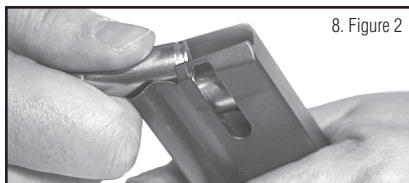
USE ONLY AMMUNITION OF THE PROPER CALIBER AS SPECIFIED ON THE FIREARM.

Filling Magazine:

1. With the magazine in an upright position, place the cartridge rim on the magazine follower, in front of the magazine lips. (8. Figure 2)

2. Press the cartridge down and under the magazine lips to the rear.

3. Repeat until loaded (9 cartridges 357 Magnum; 8 cartridges 44 Magnum; 7 cartridges 50 A.E. / 429 DE)



NOTE: Number of cartridges in the magazine can be verified by the indicator holes in the side of the magazine.

NOTE: Be sure that all rounds are pressed fully to the back of the magazine.

Emptying Magazine:

1. Push the cartridge forward with the thumb.
2. Repeat until the magazine is empty.

SIGHTS AND ZEROING

Fixed Sights (Standard):

The standard sights consist of a rear sight and a front sight. Both are combat type. They are designed to ensure rapid and accurate aiming. The square notch on the rear sight is 3 mm wide. The sight line radius is 210 mm on a 6” barrel.

Adjustable Sights:

The existing dovetail slots are designed to accommodate front target type sights and rear adjustable sights, available as an accessory option.

Installing an Optical Device:

The 7/8 inch picatinny rail rib on top of barrel has cross slots to allow installation of Weaver style rings or a red dot device. (8. Figure 3)

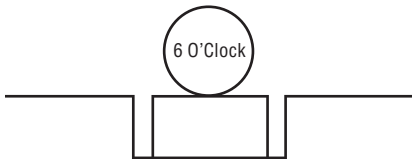


Zeroing:

Desert Eagle pistol combat sights are designed for 6 o'clock hold with top of front sight level with top of rear sight.

Windage:

Adjust by shifting the rear sight (or the front sight) left or right as required. Move the rear sight the same direction you want the bullets to go.



LOADING AND FIRING

Pre-loading & Pre-firing checks:

1. Perform safety check (see page 13) to check that the pistol is not loaded.
2. Make sure the barrel is clean and free of obstruction.
3. Check that the magazines are clean and properly loaded.
4. Always wear ear and eye protection when firing the pistol.

WHEN LOADING THE DESERT EAGLE PISTOL, ALWAYS BE SURE THAT THE PISTOL IS POINTED IN A "SAFE" DIRECTION AND THAT THE TRIGGER FINGER IS OUTSIDE OF THE TRIGGER GUARD AND WELL AWAY FROM THE TRIGGER.

USE ONLY AMMUNITION OF THE PROPER CALIBER AS SPECIFIED ON THE FIREARM.

Cocking the Pistol:

1. Never chamber a round unless you are ready to fire.

2. Insert the magazine into the magazine well at the base of the grip until the magazine catch engages fully. The magazine will have about 1/16 in. play when seated properly. Do not push up on the magazine when firing or jamming will occur.

3. Release the slide by depressing the slide catch or grasp the slide, pull it all the way back and release it. (8. Figure 4) This operation cocks the hammer and chambers a cartridge.

4. The Desert Eagle is now ready to fire.

8. Figure 4



WARNING: This pistol is now loaded and cocked with the safety catch lever in the "FIRE" position; therefore, make sure that the barrel is positioned in a safe direction.

IF YOU PULL THE TRIGGER, THE PISTOL WILL FIRE.

Firing the Pistol:

With the pistol pointed at the target, move the safety catch lever up to "FIRE" position exposing the red dot (8. Figure 5) and pull the trigger.

8. Figure 5



Reloading during Firing:

1. The slide remains in the rearward or open position when the magazine is empty.
2. Move safety catch lever down to the “SAFE” position.
3. Remove the empty magazine by pushing the magazine catch on the front of the left grip (8. Figure 6) and pulling the magazine from the magazine well.



8. Figure 6

4. Insert a full magazine. Release the slide by depressing the slide catch or by pulling the slide slightly to the rear and releasing it. (8. Figure 7)



8. Figure 7

5. Move safety catch to “FIRE” position only when pointed at target.



WARNING: The pistol is now loaded and cocked with the safety catch lever in the “FIRE” position. The pistol should only be pointing at the target.

IF YOU PULL THE TRIGGER, THE PISTOL WILL FIRE.

If slide is difficult to release in this manner, proceed as follows:

1. Hold pistol with both hands.

2. Place left thumb on slide catch,
3. Place right thumb on top of left thumb.
4. Push straight down keeping your finger off the trigger until ready to shoot.

Unloading the Pistol:

When unloading the Desert Eagle, always point it in a safe direction and make sure that the trigger finger is outside of the trigger guard and well away from the trigger.

1. Place the safety catch lever in the “SAFE” position.
2. Press the magazine release button and remove the magazine.
3. Pull the slide fully to the rear and eject the chambered cartridge. Check visually that the chamber is empty.
4. Allow the slide to spring forward by releasing it.
5. Point the pistol in a safe direction and place the safety catch lever in the “FIRE” position. Lower the hammer with your thumb while pulling the trigger, releasing tension on the hammer.
6. Pull the hammer back into its semi-cocked position and place the safety catch lever in the “SAFE” position.
7. Eject the magazine (see page 14).

CAUTION: Always unload your Desert Eagle pistol immediately after use and prior to cleaning and storage to minimize the risk of accidental discharge.

How to Shoot the Desert Eagle:

All Desert Eagle Pistols (DEP) are gas-operated, semi-automatic pistols, shooting standard 357 Magnum, 429 DE, 44 Magnum and 50 AE ammunition. The gas operation significantly reduces felt recoil, but proper shooting technique is recommended for reliable shooting with the DEP. Proper technique is especially important when you're shooting the 50 AE, which puts out more than 60% more energy than the 44 Magnum. The Desert Eagle Pistol has a rotating bolt that rides in the slide that weighs over one pound. **It is very important that your elbow, on the arm that is holding the pistol, is locked.** This allows enough resistance for the slide to move fully to the rear, eject the fired case and feed a new cartridge from the magazine. If your elbow flexes during firing it allows the pistol to move back at the same time the slide is moving back resulting in a "short stroke" or jam. The goal is to absorb the recoil in your shoulder rather than your wrists or elbow. The Desert Eagle grip is longer than other pistols because the 357 Mag, 429 DE, 44 Mag and our own 50 AE is longer than most other pistol cartridges. **THE BEST WAY TO HOLD THE DEP IS WITH A MODIFIED WEAVER STANCE.** Hold the grip of the DEP with your dominant hand and wrap your other hand around and in front of the grip. By doing this you can then slightly push forward with your dominant hand and slightly pull with your other hand. This "push-pull" arrangement allows you to "Lock" the pistol and lock your dominant elbow.

Grip & Stance:

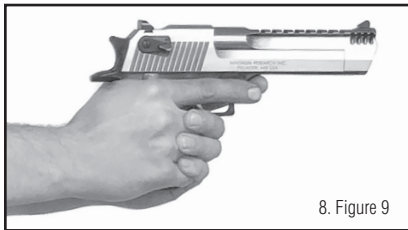
The photos (see 8. Figure 8) show the way your grip and stance SHOULD look before and at the end of the firing sequence.



8. Figure 8

Correct Grip Technique:

Don't limp-wrist! Maintain the push-pull grip to create a firm, stable-shooting platform. **Do not push up on the bottom of the magazine.** The Desert Eagle pistol magazines are "free-floating" and pushing up can cause the subsequent round to jam. See the photo below for the way your grip should look.



8. Figure 9

Don't kid yourself! The Desert Eagle is different!

CAUTION: Failure to follow above advice will cause cycling and feeding problems.

9. DISASSEMBLY AND ASSEMBLY

BEFORE DISASSEMBLING OR CLEANING THE DESERT EAGLE PISTOL, BE ABSOLUTELY SURE THE PISTOL IS UNLOADED.

(Follow the unloading instructions on page 16.)

GENERAL

NOTE: Slide disassembly, including steps for removing the bolt and firing pin, are also utilized when performing a caliber change.

The following disassembly and assembly instructions are for routine maintenance of the pistol. Disassembly or assembly of any other parts is not recommended and will void all warranties.



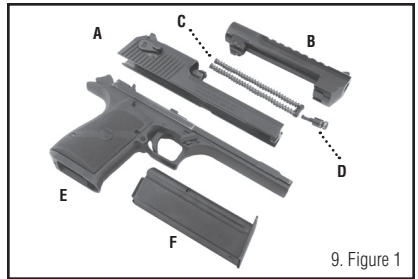
WARNING: SAFETY CYLINDER

It is possible to assemble the safety cylinder in a backward/reverse order. If this happens, the safety and fire function indicators will also be reversed. The gun will then fire when on "SAFE". Do not disassemble the safety. For service on safety contact Magnum Research, Inc. Customer Service at 218-746-3459, Monday-Friday, 8:00AM-4:00PM CST.

NOTE: Do not attempt to dismantle the recoil spring assembly. This is a factory assembled component. Improper reassembly will cause damage to the firearm and injury to the user.

For normal cleaning, the Desert Eagle should only be disassembled into its main components. (9. Figure 1)

- A. Slide
- B. Barrel
- C. Recoil Spring Assembly with Recoil Springs and Recoil Spring Guides
- D. Gas Piston
- E. Frame
- F. Magazine



9. Figure 1

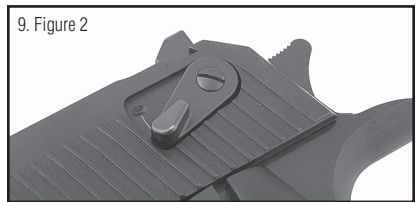
For maintaining and cleaning the Desert Eagle use only high quality, commercially available cleaning equipment, solvents and lubricants.

Disassembly should be carried out on a clean surface and the disassembled parts should be placed in order of their removal.

FIELD STRIPPING

Perform the following operations before disassembling:

1. Remove the magazine and place the safety in the down or "ON" position. (9. Figure 2)



9. Figure 2

2. Pull the slide back and check the chamber visually and physically to make sure it is empty.
3. Point the pistol in a safe direction, move the safety lever up into the "FIRE" position and lower the hammer with your thumb while pulling the trigger.

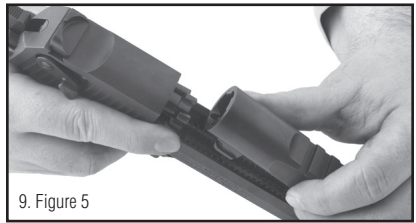
Disassembly:

1. Pull the hammer slightly to the rear until a click is heard; the hammer is now in the semi-cocked position.
2. Move the front end of the safety catch lever down into its "SAFE" position.
3. Press the barrel lock pin in on the left side of the pistol (9. Figure 3) and at the same time swing the barrel lock on the right side of the pistol counterclockwise. (9. Figure 4)



4. Pull the barrel slightly forward to align the lugs with the relief cuts in the frame. This will allow the barrel to be lifted off the frame. (9. Figure 5)
5. The recoil spring assembly will disengage and slide out once the barrel is removed.
6. The piston, which is retained by the recoil spring assembly, can now be removed.

CAUTION: To protect your eyes when removing the recoil spring guide, it is recommend that you wear safety glasses. The recoil spring is under tension and may fly off guide and cause injury.

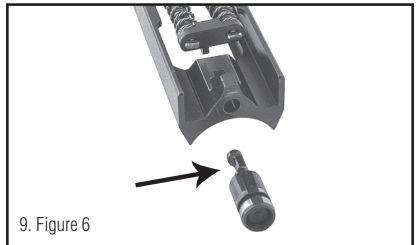


Reassembly:

If problems occur during assembly, remove the slide and recheck the instructions.

If the slide will not go smoothly into the frame do not force it because this could cause damage and may void the warranty.

1. Turn the slide upside down and place it on a level surface.
2. Insert the piston into place. Make sure the piston shaft recess is facing the slide recess. The other piston shaft recess will face up. (9. Figure 6)



3. Engage piston shaft with the recoil spring plate lug and the slide.
4. Use your thumb to push the base of the spring plate assembly against the slide, supporting the slide all the way to align the spring assembly in parallel with the slide.
5. Keeping the spring assembly parallel to the slide, draw the frame all the way into the slide (do not compress the spring).

6. Stand the pistol upright and verify that the spring ends are correctly positioned in place (2 holes) within the frame (above the trigger).



WARNING: Make sure that the gas piston is in place and cannot be pulled out.

7. Insert the barrel and line up the lugs with the relief cuts in the frame recess through the slide.

8. Push against the barrel from the muzzle end and hold the barrel assembly against the frame (9. Figure 7). Now swing the barrel lock clockwise into the closed position.



9. Check correct pistol operation by cocking and releasing the hammer and verify that the safety is functioning properly and safely.

NOTE: Be sure to wear safety glasses to prevent possible eye injury due to the spring tension. Always work in a clean area to prevent loss of small parts.

10. ADDITIONAL ASSEMBLY

DISASSEMBLY OF THE MAGAZINE

1. Before disassembly, remove all cartridges from the magazine.
2. Hold magazine with base facing upward.
3. With the 5 in 1 Cleaning tool, push base catch inward. (see page 7, 3. Figure 1)

4. With catch depressed, slide magazine base carefully forward.

5. Keep thumb pressed on magazine base and lift it up slowly to release the magazine spring pressure and remove the magazine base.

6. Remove magazine base catch and spring.

7. Press follower plunger in with the 5 in 1 Cleaning tool and push the follower from the magazine with the cleaning rod.



WARNING: Hold magazine spring in place during disassembly or assembly. The magazine spring is under pressure and if not held in place during disassembly or assembly may release accidentally causing injury. Do not point magazine base toward face or other person. Base catch is not attached to the spring.

REASSEMBLY OF THE MAGAZINE

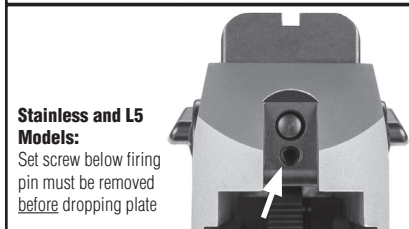
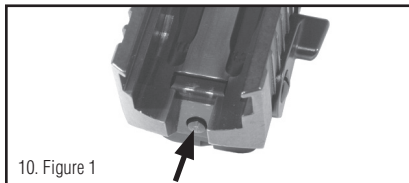
1. Hold the magazine with the lips downward and partly insert the follower with its flat face downward.
2. Press the follower plunger with the 5 in 1 tool and place the follower spring into the follower by sliding the “L” end of the cross spring into the corresponding slot.
3. Slide the follower and spring all the way into the magazine.
4. Place base catch on spring with small tip pointing up.
5. Push magazine base to rear until the base catch engages the base.

NOTE: It is not possible to put spring in when the follower is in the magazine tube.

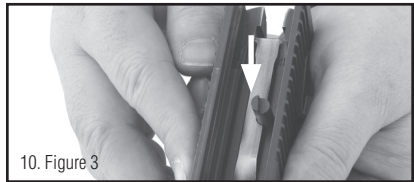
DISASSEMBLY OF THE SLIDE

NOTE: The California approved models are different in this aspect. Separate instructions are enclosed in the pistol packaging for the proper slide disassembly/reassembly of the CA approved models. Please refer to those instructions before proceeding any further.

1. Make sure the safety catch lever is in the “FIRE” position.
2. Push the rear end of the firing pin in with the 5 in 1 Cleaning tool and slide the firing pin stop toward the bottom of the slide (10. Figure 1). The firing pin is now free to be pushed out by its spring.



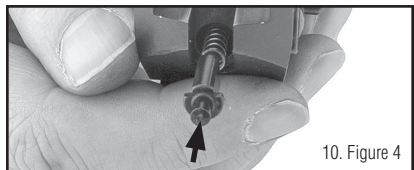
3. Remove the firing pin and its spring.
4. Hold the slide upside down and push the bolt stabilizer pin to the rear. This will allow the bolt to also be pushed to the rear of the slide. (10. Figure 2)



5. The bolt guide pin has a recessed area on the vertical flat of the pin. Hook the small end of the 5 in 1 Cleaning tool into the recess area and pull the guide pin out. (10. Figure 3)
6. Release the bolt and bolt stabilizer pin slowly. Once the spring tension is relieved remove the bolt, bolt stabilizer pin, spring and pin.

REASSEMBLY OF THE SLIDE

1. Insert the bolt stabilizer guide pin, the bolt stabilizer spring and the bolt stabilizer. Make sure that the concave portion coincides with the bolt housing.
2. Insert the bolt into its housing in the slide and compress the stabilizer spring along with it.
3. Insert the bolt guide pin.
4. Make sure the safety catch is in the “FIRE” position.
5. Insert the firing pin into the firing pin spring. Then insert the assembly with the flat areas of the small end of the firing pin facing the right side of the slide. (10. Figure 4)



6. Insert the firing pin stop with the curved or semicircular end toward the top of the slide. Push the firing pin into the slide with the 5 in 1 Cleaning tool and slide the stop in until the firing pin engages the hole in the stop and the firing pin pops out through the hole in the stop.

DISASSEMBLY OF THE TRIGGER MECHANISM ASSEMBLY

1. First remove the grip screws on the USA model or on the Israel model use the 5 in 1 tool to push in the grip pin and push the grip panels to the rear to unhook the internal tabs. These are tight fitting and may require extra effort to remove by lifting the grip panels.

2. Remove the hammer pin and sear pin with the



appropriate punch. (10. Figure 5)

3. Lift the trigger mechanism assembly from the frame.

ASSEMBLY OF THE HAMMER / SEAR MECHANISM

1. Hook the sear into the trigger bar and press the hammer mechanism assembly down; make sure that the pointed bottom ends of the hammer mechanism assembly engage the rear of the frame.

2. Insert the hammer pin and the sear pin into their respective holes.

3. From the rear, replace the grip panels by hooking the internal tabs into the frame. Replace the grip screws.

ADJUSTABLE TRIGGER MECHANISM (ATM)

ATM enables adjustment of trigger travel to achieve higher accuracy and greater comfort when firing the pistol.

Characteristics:

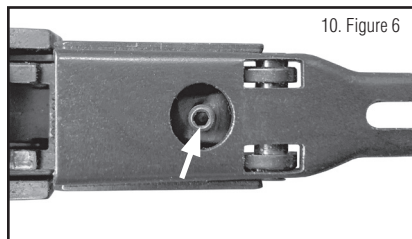
Trigger travel consists of two stages:

- In the first stage of travel, trigger force is low.
- In the second stage, pull force increases until the hammer is released.

The location of the transition between stages may be adjusted to be at any point within the trigger travel, by trigger travel adjustment.

Adjustment:

1. The ATM is adjusted after the Desert Eagle Pistol has been field stripped (see page 18).
2. The ATM setting may be tested by cocking the hammer manually and squeezing the trigger.
3. For trigger travel adjustment, insert an Allen wrench through the magazine housing opening to turn the ATM adjustment (10. Figure 6).



11. CARE AND CLEANING

GENERAL

Comprehensive knowledge of how to service and handle the pistol is important. **Most failures occurring while operating the pistol are due to negligence in maintenance.** Special attention must be paid to cleaning, lubricating and inspecting the pistol to insure the pistol will function properly when using. In order to maintain accuracy, the barrel must be serviced thoroughly. The slide, the bolt and other moving parts of the pistol must be kept clean and lightly lubricated to ensure proper operation. The magazine must be kept free from rust, grit, and other particles to function properly. At regular intervals, or whenever your pistol has been exposed to sand, dust, extreme humidity, water or other adverse conditions, it must be cleaned and lubricated before using.

Before reassembling the Desert Eagle, make sure nothing from the cleaning process is left in the bore. **Discharging the pistol with anything in the bore can result in destruction of the firearm and injury or death to you or bystanders.**

Wipe the exterior of the pistol with powder solvent. Dry the exterior of the Desert Eagle pistol and then apply a thin coat of rust preventing oil to the exterior of the firearm.

Do not use excessive lubricant or grease on your pistol. Excessive lubricant or grease allows dust or other particles to adhere to the pistol, which interferes with the safe and reliable function of the firearm. Lubricant can penetrate the primer of ammunition and render it inoperative causing failure to fire. Before firing remove all excess lubricant from the bore of the pistol.

INITIAL CLEANING

1. When you first receive your pistol, disassemble (see page 18) and inspect it.

2. Clean the pistol as per periodic maintenance procedure (see below).

3. Any heavy or sticky deposits or protective material may be removed using very light rust-preventive oil. After cleaning, wipe dry and coat lightly with gun oil.

4. Never use abrasive or metallic objects, synthetic cloth, dry cleaning fluids, detergents, acids, lye, water or steam for cleaning.

5. Reassemble the pistol (see page 19) and make sure it is functioning properly.

PERIODIC MAINTENANCE

1. Field strip the pistol (see page 18).

2. Clean all stripped parts with a lightly oiled soft cloth.

3. Using a copper brush and bore solvent clean the bore & chamber.

4. Dry the bore and chamber with a dry cotton patch.

5. Lightly oil the bore and chamber. Clean Carbon from Gas Cylinder and lightly oil.

6. While cleaning, inspect all parts for wear and damage; make sure the bore and chamber are free from rust.

7. Assemble the pistol (see page 19) and check to make sure it functions properly.

CLEANING PRIOR TO FIRING

1. Field strip the pistol (see page 18).

2. Using the cleaning rod and patch holder, dry the chamber and bore with a clean patch.

3. Make sure that all moving parts are lightly oiled.

4. Reassemble the pistol (see page 19) and make sure it functions properly.

CLEANING AND FIRING

1. Field strip the pistol (see page 18).
2. Disassemble the slide (see page 21).
3. Attach the brass wire brush to the cleaning rod, push the brush completely through the chamber and bore until it protrudes completely from the other end. Now pull the wire brush in the opposite direction and remove it from the barrel. Repeat this operation several times.
4. Wipe the cleaning rod dry, remove the wire brush and attach the patch holder.
5. Attach a clean patch and clean the bore (see page 23); repeat this operation using clean patches until the bore is clean.
6. Oil chamber and bore with a clean oiled patch.
7. Clean the gas cylinder.
8. Oil lightly all other parts of the pistol, reassemble it (see page 19) and make sure it functions properly.

NOTE: After firing, use the 5 in 1 Cleaning tool to remove deposits from gas cylinder underneath the barrel assembly.

The cleaning tool should rotate freely from side to side in the gas cylinder when clean. DO NOT use any other tool for this operation since this may damage the cylinder. Make sure gas piston, springs, guides, plates, recoil spring, and channel of frame are free of all deposits.

PROPER GRIP FOR SHOOTING THE DESERT EAGLE

Issues related to improper grip are one of the most common “problems” reported to our service team. Use a two-handed grip with the trigger hand “pushing” and the off hand “pulling” to create a stable platform. Maintain your push-pull grip throughout the firing sequence, absorbing recoil in your shoulders - NOT your wrists. The shooter must provide enough resistance when firing the firearm for the slide to fully move rearward and eject the fired case. You cannot shoot the Desert Eagle pistol like your 1911 semi-auto. (see page 17)

12. TROUBLESHOOTING

Failure to chamber:

- Bolt does not close fully
- Gun will not fire

Cause:	Action:
Dirty chamber	Clean.
Defective ammunition	Check for damaged cartridges.
Very dirty pistol	Check for sluggish bolt. Disassemble, clean, oil and reassemble.
Defective or dirty recoil spring	Field-strip, inspect, clean or replace if necessary.

Failure to fire:

- Hammer snaps home but gun will not fire

Cause:	Action:
Defective cartridge	Inspect primer, if indented discard safely. If not indented, inspect firing pin for defects.
Obstructed firing pin	Disassemble bolt from slide and inspect firing pin hole for obstructions.

Failure to feed:

- Pistol jams
- Bolt closes on empty chamber

Cause:	Action:
Magazine improperly seated	Push magazine home to engage catch.
Magazine improperly filled	Remove cartridges and refill.
Dirty magazine	Disassemble, clean and reassemble.
Damaged magazine	Replace.
Short recoil	Clear jam. Check chamber for cleanliness. Check barrel for any obstruction. Check if return spring is correctly assembled and free of lead deposits. Check type of ammunition to make sure it is not under-powered. Must be fired with 2 hand hold and locked elbows. (see page 17)
Double feed	Inspect for stuck case or cartridge.
Incorrect ammunition	Change ammunition.
Pistol jams shut	Release barrel lock; if barrel does not move forward from slide, call service department.

Failure to extract or eject:

- Pistol will not eject case
- Pistol jams

Cause:	Action:
Underpowered or defective ammunition	Inspect ammunition and change if necessary.
Dirty or damaged barrel chamber	Inspect, clean, replace barrel if necessary.
Fouled or broken extractor or extractor spring	Clean or replace extractor or extractor spring.
Fouled or broken ejector or ejector spring	Clean or replace ejector.
Lead-fouled or broken return spring cross bar	Clean or replace. Failure to do so can lead to a broken slide.
Piston and gas cylinder or recoil spring channel in frame lead-fouled	Clean cylinder with 5 in 1 Cleaning tool reamer head. Clean piston and channel with a wire brush. (Use jacketed or plated bullets only!)
Spent case stuck in chamber	1. Field strip 2. Insert cleaning rod from muzzle end and tap gently to remove case. 3. If case cannot be removed, contact service department.

13. NOTES ON RELIABILITY

If this firearm is to be used in lawful self-defense, the user must understand that overall reliability is based upon the interaction of four factors: handgun, magazine, ammunition and user.

A handgun is only a mechanical device. It can fail to function properly despite the use of the finest materials and greatest possible care in its design and manufacture. To ensure the highest level of reliability, we suggest that you adhere to the following guidelines:

1. Obtain the guidance of a qualified or accredited firearms instructor before using a handgun.
2. Use only the highest quality factory ammunition. Avoid reloads, surplus and budget priced ammunition as well as any ammunition designed by its manufacturer for use in carbines or other shoulder-fired firearms. At times, a particular model of handgun will not reliably function with a specific brand or loading of ammunition. Selected ammunition should be test fired (100 round minimum) to ensure reliability.

Also, ammunition manufacturers can make changes to their ammunition such as substituting a different powder or primer. Consequently, ammunition which proved reliable in the past may suddenly begin to cause malfunctions. Inspect all ammunition for visible defects before loading it into the magazine.

3. Use only Magnum Research, Inc. provided magazines. Consider purchasing extra magazines so that they may periodically be rotated, allowing the magazine spring to relax. When inserting a magazine into the firearm, listen for it to click into place then pull down on the magazine base to make sure that it is seated and locked.

Use Jacketed or Plated bullets only!

4. Improper shooting technique and grip can cause a variety of malfunctions such as a failure to properly eject or feed. Also, some loadings of ammunition are more sensitive to improper shooting technique or grip than others. Maintain a firm but comfortable grip on the handgun. The shooting arm should supply resistance to the handgun rather than serving as a shock absorber. (see page 17)

14. WARRANTY AND LIABILITY EXCLUSIONS

Notwithstanding the provisions contained in any other printed warranty statement(s) made by Magnum Research or by one of Magnum Research' affiliates, the following exclusions from warranty, among others, shall apply:

1. If the pistol is dismantled by the purchaser or by third parties further than described in this manual, and if, as a result of inappropriate handling or incomplete reassembly, damage or malfunctions are caused, as a result of which the safety devices are rendered ineffective, then the purchaser shall forfeit any claim to guarantee against damages thereby incurred to persons or property.
2. Any change to the basic construction of the firearm, in particular by the circumvention of the safety devices, is strictly prohibited for safety reasons, and precludes the use of the firearm.
3. No liability whatsoever can be accepted in the case of criminal misuse, negligence, resale, use under the influence of drugs or alcohol, modifications, careless handling, proper maintenance, etc.
4. No liability whatsoever can be accepted if the pistol is fired with any ammunition other than top-quality, commercially manufactured ammunition of the proper caliber specified on the firearm itself. Inexpertly manufactured or reloaded ammunition must not be used.

NOTE: All liability is excluded in the event that the instructions in this manual are not observed.

Pistols shipped to the factory must be sent prepaid. The Desert Eagle service department cannot accept collect shipments.

The Federal Gun Control Act does not prohibit an individual from shipping a firearm directly to the manufacturer for service or repair. However, some states or localities prohibit this. If you live in such a location, please have a Federally Licensed Firearms dealer ship the firearm. It will be returned to the dealer after being serviced.

WE RECOMMEND HANDGUNS ARE SHIPPED PREPAID VIA UPS® OR FEDEX®.

Visit www.magnumresearch.com to obtain a Return Authorization Number (RA #).

Enclose a letter that includes reference to the factory "Return Authorization" Number, your name, address, telephone number, and serial number and model of the firearm. Describe in detail the trouble you have experienced with your firearm, or the work you wish to have done. Stating only that the firearm "needs repair" is inadequate information. Please enclose copies of any previous correspondence.

Please do not include holsters, optics, custom grips, accessories and ammunition with any firearm being shipped to the factory for service.

Service work performed, other than approved warranty repairs, will carry a minimum charge of \$65.00 plus a \$40.00 return shipping and handling charge.

Retain your tracking number when shipping firearms for repair. This will allow you to track the status of

your firearm shipment either by phone or the website of the carrier. Please allow three weeks for the return of a handgun.

Magnum Research ships repaired firearms via 2nd Day "Adult Signature Required". Please make sure the "Adult Signature Required" is not waived for your address. If "Adult Signature Required" is waived at your address then you are responsible for any loss as a result.

15. LIMITED ONE-YEAR WARRANTY

Magnum Research, Inc. firearms are warranted to be free from defects in material and workmanship. Any such defect of which Magnum Research, Inc. is given written notice as provided below within one year and ten days from the date of first purchase by customer will be remedied by Magnum Research, Inc. without notice.

This warranty is granted by Magnum Research, Inc. to the original purchaser of a new Magnum Research firearm.

Warranty claims (in writing) and the firearm concerned should be directed (freight prepaid), to the Warranty Service Department, Magnum Research, Inc., 12602 33rd Avenue SW, Pillager, MN 56473.

Warranty claim letters should state the model and serial number of the firearm concerned, a description of the difficulty experienced, the date of purchase, your name, billing address, a daytime phone number, and e-mail address. Remember to ship to Magnum Research, Inc. freight prepaid. It is recommended to please use a delivery service able to track and/or insure your return item since Magnum Research, Inc. will accept no responsibility for loss or damage in transit.

Transportation and insurance charges for return to

the owner will be paid by Magnum Research, Inc. if the related claim is a proper claim for warranty work.

Under no circumstances shall Magnum Research, Inc. be responsible for incidental or consequential damages with respect to economic loss or injury to property, whether as a result of breach of express or implied warranty, negligence or otherwise. Some states do not allow the exclusion or limitation of incidental or consequential damages, so the above limitation may not apply to you. Magnum Research, Inc. will not be responsible for result of careless handling, unauthorized adjustments, defective, low quality, reloaded or improper ammunition, corrosion, neglect, ordinary wear and tear, or unreasonable use. Furthermore, the liability of Magnum Research, Inc. under this warranty shall be limited solely to the obligation to replace or repair the firearm and to pay the related transportation charge to the facility of Magnum Research, Inc.

This warranty gives you specific legal rights, and you may also have other rights which vary from state to state.

PLEASE NOTE: Handguns and long guns are classified as FIREARMS or DANGEROUS WEAPONS. Firearms are surrendered by Magnum Research, Inc. with the express understanding that it assumes no responsibility for re-sale handling under local laws and regulations.

WHAT IS NOT COVERED BY THIS WARRANTY?

- Failure to provide proper care and maintenance
- Accidents, abuse or misuse
- Hand loaded, reloaded or improper ammunition
- Barrel obstruction
- Unauthorized adjustments, repairs or modifications
- Normal wear and tear



WARNING: ALL FIREARMS ARE DANGEROUS OBJECTS - PISTOLS INCLUDED.

ALWAYS CONSIDER THE PISTOL LOADED. TO RENDER IT SAFE, FIRST SET THE SAFETY ON THE "SAFE" POSITION OR DOWN POSITION. REMOVE THE MAGAZINE, THEN EJECT ANY REMAINING ROUND BY PULLING THE SLIDE TO THE REAR.

IT IS DANGEROUS TO ALTER OR MODIFY THIS FIREARM IN ANY WAY. ANY ALTERATIONS OR MODIFICATIONS OF THE FIRING MECHANISM MAY RESULT IN THIS FIREARM BECOMING UNSAFE, AND WILL NULLIFY ALL WARRANTIES.

USER IS ADVISED TO READ THE ENTIRE MANUAL PRIOR TO HANDLING THIS PISTOL AND OPERATING IT FOR THE FIRST TIME.

LIMITATION OF LIABILITY

The liability of Magnum Research, Inc. ISRAEL WEAPONS INDUSTRIES (IWI) for any and all losses and/or damage to the purchaser shall in no event exceed the purchase price of pistol. In no event shall IWI be liable for incidental or consequential damage.

IWI reserves the right to make such alterations in design, dimensions, specifications and manufacture as are deemed necessary to ensure continued improvement.

16. CONTACT AND SHIPPING

For Owners within the United States:

MAGNUM RESEARCH, INC.

12602 33rd Avenue SW, Pillager, MN 56473

Phone: 218-746-3459 | Fax: 218-746-3097

E-mail: info@magnumresearch.com

- Call or e-mail the Customer Service Dept. for a return authorization number (RMA #) and shipping instructions.

- Ensure that the pistol is unloaded.

- DO NOT SHIP ANY AMMUNITION.

- Enclose a letter which includes your full name and address (no P.O. Boxes, please), daytime telephone number, e-mail address, the serial number of the pistol, and details of the problem experienced (stating the brand and type of ammunition used when the problem occurred) or work desired.

- Record the serial number before shipping, in case you wish to check on the repair status of your pistol.

- Please remove all custom parts and accessories, such as stocks, special sights, holsters and live ammunition from your pistol before returning.

- Place the pistol in its original case or in a similarly secure container, wrap loose items and pack securely.

- When returning a pistol, (please include all magazines,) wrap loose items, ensuring they are unloaded; they are important to the proper function of the pistol.

- The package must NOT bear any markings which indicate the identity of the contents. Please write clearly the RMA # on the outside of the package.

- It is most important that you comply with federal, state, and local laws and regulations. The following guidelines are meant to help, but you must seek assistance from the appropriate authorities if necessary.

- If your pistol must be replaced, it may be necessary to ship the replacement to a dealer rather than directly to you. You will be requested to furnish a signed FFL (Federal Firearms License) from your dealer in such an instance.

- Warranty repair work will begin upon receipt and examination of the pistol. If the repairs are not covered by warranty our professionally trained gunsmiths will repair the pistol and notify you of the charges. If the requested work will exceed \$100.00 they will notify you prior to starting the work. Repairs and modifications will begin upon receipt of payment. Gun will be returned after full payment is received.

17. RECOMMENDED AMMUNITIONS

The Desert Eagle is a semi-automatic pistol based on a non-adjustable gas system. In order to function properly, only suitable ammunition can be used. The following types of ammunition were found adequate for use in the Desert Eagle pistols. This list is a recommended list only, other types of ammunition might function as well as any of these do. **DO NOT USE LEAD BULLETS OR BULLETS WITH EXPOSED LEAD BASE IN THE DESERT EAGLE PISTOLS. LEAD WILL FILL AND CLOSE THE GAS ORIFICE HOLES IN THE BARREL.** This could damage the gas system and possibly require replacement of the barrel.

CAUTION: Lead bullets or bullets with exposed lead base will Damage the Gas System. Use Jacketed or Plated Bullets Only.

RECOMMENDED AMMUNITIONS

50 AE

MANUFACTURER	BULLET WEIGHT	CATALOG NUMBER	DESCRIPTION
CCI/MRI	300	DEP50JHP300B	JHP
CCI/MRI	350	DEP50JSP350B	JSP
Hornady/MRI	300	DEP50HP/XTP300	JHP - XTP
Freedom Munitions Big Grains	325	FMBG50AERF325	
Buffalo Bore	300	FMJ-FN/20	FMJ/FN
Buffalo Bore	325	JHP/20	JHP
Buffalo Bore	350	FMJ/FN/20	FMJ/FN
Glacier Ridge/MRI	325	DEP50FP325	FP

44 Magnum

MANUFACTURER	BULLET WEIGHT	CATALOG NUMBER	DESCRIPTION
American Eagle	240	AE44A	JHP
Federal Classic	240	C44A	JHP
Magtech	240	44A	JSP
Magtech	240	44C	FMJ - flat point
PMC Starfire	240	44SFA	SFHP
PMC	240	44C	JHP
PMC Target	240	44D	TCSP
Remington	240	RH44MG3	JHP
Remington	180	RH44MG5	JHP
Winchester	240	X44MHSP2	JHP
Winchester	210	XX44MSTHP2	JHP
Barnes Bullets	225	BB4MAG4	XPBHP
Buffalo Bore	270	4C/20	JSP
Buffalo Bore	225	4L/20	JSP
Glacier Ridge/MRI	240	DEP44FP240	FP

429 DE Magnum

MANUFACTURER	BULLET WEIGHT	CATALOG NUMBER	DESCRIPTION
Glacier Ridge/MRI	240	DEP429FP240	FP
Glacier Ridge/MRI	210	DEP429DE210JHP	JHP
Glacier Ridge/MRI	240	DEP429DE240JSP	JSP

357 Magnum

MANUFACTURER	BULLET WEIGHT	CATALOG NUMBER	DESCRIPTION
CCI	158	3959	SJSP
Federal Hydra-Shok	158	P357HS1	SJHP
Federal	158	357A	SJSP
Federal	158	357E	SJHP
American Eagle	158	AE357A	SJSP
Magtech	158	357A	JSP
Magtech	158	357B	JHP
Magtech	158	357D	FMJ - flat point
Remington	158	R357M2	SJHP
Remington	158	R357M3	SJSP
Winchester	158	X3574P	SJHP
Winchester	158	X3575P	SJSP
Barnes Bullets	140	BB357M2	XPBHP
Buffalo Bore	140	19K/20	JHP

FOR OTHER GREAT PRODUCTS AVAILABLE FROM MAGNUM RESEARCH AND KAHR FIREARMS GROUP

Visit us online at www.MagnumResearch.com, www.Kahr.com and www.Auto-Ordnance.com



Desert Eagle Pistols

Build your own at: www.magnumresearchcustoms.com

Available in calibers: 50 AE, 44 Mag, 429 DE and 357 Mag

DESERT EAGLE

1911



Desert Eagle 1911 Pistols

Available in calibers: 45 ACP and 10mm



BFR Revolvers

Build your own at: www.magnumresearchcustoms.com

Available in a large variety of popular calibers



MagnumLite Rimfire Rifles

Build your own at: www.magnumresearchcustoms.com

Available in caliber: 22LR



**12602 33rd Avenue SW,
Pillager, MN 56473**

www.magnumresearch.com