



Z-SERIES

RIFLE & PISTOL

9x19 mm Parabellum

USER MANUAL

V.01

INDEX



Z-5 SERIES RIFLE & PISTOL	3
Z-5RS PISTOL	4
Z-5K PISTOL.....	5
Z-5P PISTOL.....	6
Z-5 RIFLE.....	7
ESSENTIAL FIREARM SAFETY GUIDELINES.....	8
Z-5RS PISTOL MAJOR ASSEMBLY GROUPS.....	11
Receiver and Barrel Assembly.....	12
Bolt Carrier Assembly	12
Trigger Housing Assembly	13
Butt Cap.....	14
Hand Guard.....	14
Magazine Assembly	14
Picatinny Rail.....	15
Z-5RS PISTOL DISASSEMBLY PROCEDURES.....	16
Magazine Removal	16
Butt Cap Removal	16
Bolt Carrier Removal.....	17
Trigger Housing Removal.....	17
Hand Guard Removal.....	18
Z-5RS PISTOL REASSEMBLY	18
Z-5K MAJOR PISTOL ASSEMBLY GROUPS	19
Receiver and Barrel Assembly.....	20
Bolt Carrier Assembly	20
Trigger Housing Assembly	21
Butt Cap.....	22
Hand Guard.....	22
Magazine Assembly	22
Picatinny Rail.....	23
Z-5K PISTOL DISASSEMBLY PROCEDURES.....	24
Magazine Removal	24
Butt Cap Removal	24
Bolt Carrier Removal.....	25
Trigger Housing Removal.....	25
Hand Guard Removal.....	26
Z-5K PISTOL REASSEMBLY	26
Z-5P PISTOL MAJOR ASSEMBLY GROUPS	27
Receiver and Barrel Assembly.....	28
Bolt Carrier Assembly	28
Trigger Housing Assembly	29
Butt Cap.....	30
Hand Guard.....	30
Magazine Assembly	30
Picatinny Rail.....	31
Z-5P PISTOL DISASSEMBLY PROCEDURE	32



- Magazine Removal 32
- Butt Cap Removal 32
- Bolt Carrier Removal 33
- Trigger Housing Removal 33
- Hand Guard Removal 34
- Z-5P PISTOL REASSEMBLY 34
- Z-5 RIFLE MAJOR ASSEMBLY GROUPS 35
 - Receiver and Barrel Assembly 36
 - Bolt Carrier Assembly 36
 - Trigger Housing and Buttstock Assembly 37
 - Hand Guard 38
 - Magazine Assembly 38
 - Picatinny Rail 39
- Z-5 RIFLE DISASSEMBLY PROCEDURE 40
 - Magazine Removal 40
 - Trigger Housing and Buttstock Disassembly 40
 - Bolt Carrier Assembly Removal 42
 - Hand Guard Removal 43
- Z-5 RIFLE REASSEMBLY 43
- Z-5 SERIES RIFLE & PISTOL OPERATION 44
 - Selecting the Firearm to Safe 44
 - Selecting the Firearm to Semi-Auto Fire 44
 - Loading and Unloading the Magazine 45
 - Loading the Firearm 46
 - Firearm Operating System 47
 - Trigger Operating System 48
- Z-5RS PISTOL & Z-5 RIFLE SIGHTS 49
 - Using the Sights 49
- Z-5P PISTOL & Z-5K PISTOL SIGHTS 50
 - Using the Sights 50
- REAR SIGHT ADJUSTMENT 51
- FIREARM MAINTENANCE 52
 - Extreme Climate Maintenance 52
 - Disassembly and Maintenance of Bolt Carrier 53
 - Trigger Pack Removal and Maintenance 54
- Z-5RS PISTOL & Z-5 RIFLE SLING 55
 - 3-Point Sling 55
- Z-5K PISTOL & Z-5P RIFLE SLING 55
 - 2-Point Sling 55
- TROUBLESHOOTING 56

Z-5 SERIES PISTOL & RIFLE

Z-5 Series Rifle & Pistols have been manufactured by MKE Corporation for the US market.

Z-5 Series Rifle & Pistols:

- Are manufactured utilizing the latest production techniques and machinery.
- Utilize the reliable roller-lock, delayed blowback operating system.
- Are manufactured with cold hammer forged chrome moly vanadium barrels.
- Carry their serial numbers on the top portion of the receivers.
- Are Chambered for the 9x19 mm cartridge.

Available Models



Z-5RS Pistol



Z-5K Pistol



Z-5P Pistol



Z-5 Rifle



Z-5RS PISTOL



Figure 1- Z-5RS Pistol

Technical Specifications

Ammunition	9x19 mm Parabellum
Operation	Semi-automatic, magazine-fed, air cooled, roller-lock, delayed blowback
Sights	Rear drum for elevation and windage, front protected post
Magazine	30-round steel
OA Length	17.9 inches
Barrel Length	8.9 inches
Barrel Twist	1:9.8 inches
Barrel Lands/Grooves	6
Barrel	Cold hammer forged 32 chrome molybdenum vanadium
Fluted Chambers	16
Trigger	6.7-8.9 pounds
Colors	Black
Weight Empty	5.5 pounds
Additional	Barrel has 3-lug quick attachment and 1/2x28 threaded end.
Includes	Rugged plastic carry case, three (3) 30-round magazines, factory cleaning kit, two (2) extra take-down pins, factory Picatinny style optics mount, factory sling, and 5-year warranty.

Z-5K PISTOL



Figure 2- Z-5K Pistol

Technical Specifications

Ammunition	9x19 mm Parabellum
Operation	Semi-automatic, magazine-fed, air cooled, roller-lock, delayed blowback
Sights	Rear drum for elevation and windage, front protected post
Magazine	30-round steel
OA Length	12.79 inches
Barrel Length	4.6 inches
Barrel Twist	1:9.8 inches
Barrel Lands/Grooves	6
Barrel	Cold hammer forged 32 chrome molybdenum vanadium
Fluted Chambers	16
Trigger	6.7-8.9 pounds
Colors	Black
Weight Empty	4.43 pounds
Additional	Short barrel; no lug.
Includes	Rugged plastic carry case, three (3) 30-round magazines, factory cleaning kit, two (2) extra take-down pins, factory Picatinny style optics mount, factory sling, and 5-year warranty.



Z-5P PISTOL



Figure 3- Z-5P Pistol

Technical Specifications

Ammunition	9x19 mm Parabellum
Operation	Semi-automatic, magazine-fed, air cooled, roller-lock, delayed blowback
Sights	Rear drum for elevation and windage, front protected post
Magazine	30-round steel
OA Length	13.7 inches
Barrel Length	5.8 inches
Barrel Twist	1:9.8 inches
Barrel Lands/Grooves	6
Barrel	Cold hammer forged 32 chrome molybdenum vanadium
Fluted Chambers	16
Trigger	6.7-8.9 pounds
Colors	Black
Weight Empty	4.6 pounds
Additional	Barrel has 3-lug quick attachment and 1/2x28 threaded end.
Includes	Rugged plastic carry case, three (3) 30-round magazines, factory cleaning kit, two (2) extra take-down pins, factory Picatinny style optics mount, factory sling, and 5-year warranty.

Z-5 RIFLE



Figure 4- Z-5 Rifle

Technical Specifications

Ammunition	9x19 mm Parabellum
Operation	Semi-automatic, magazine-fed, air cooled, roller-lock, delayed blowback
Sights	Rear drum for elevation and windage, Front protected post
Magazine	10-round steel
OA Length	34.25 inches
Barrel Length	16.15 inches
Barrel Twist	1:9.8 inches
Barrel Lands/Grooves	6
Barrel	Cold hammer forged 32 chrome molybdenum vanadium
Fluted Chambers	16
Trigger	6.7-8.9 pounds
Colors	Black
Weight Empty	6.88 pounds
Additional	Barrel has 3-lug quick attachment and 1/2x28 threaded end.
Includes	Rugged plastic carry case, three (3) 30-round magazines, factory cleaning kit, two (2) extra take-down pins, factory Picatinny style optics mount, factory sling, and 5-year warranty.



ESSENTIAL FIREARM SAFETY GUIDELINES

Zenith Firearms

These firearm safety guidelines have been prepared by Zenith Firearms, based upon currently available information. They are provided to you as a courtesy and in the interest of furthering safety. These guidelines are not comprehensive, nor do they modify or replace rules, recommendations, standards, or regulations made by legal authorities or manufacturers.

ZENITH FIREARMS EXPRESSLY DISCLAIMS ANY LIABILITY, OBLIGATION, OR WARRANTY RELATED TO THE INFORMATION SET FORTH IN THESE GUIDELINES.

As a responsible firearms supplier, Zenith believes that no issue is more important than firearm safety. We urge you to learn and practice the following guidelines and to make them your habit when handling firearms. This will help ensure safe handling of your firearm(s) and help prevent accidents. We also encourage you to complete an approved firearms safety-training course.

THE 3 CARDINAL FIREARMS SAFETY RULES

1. Always Handle a Firearm as if it is Loaded

Even if you determine that a firearm is unloaded, always, always, always handle it like it IS loaded. When you handle a firearm, the first thing you should do (with the firearm pointed in a safe direction), is open the action to identify whether the firearm is loaded. If you do not know how to open the action, do not handle the firearm. And remember, removing a magazine alone does not make a firearm unloaded, as there may be a round in the chamber.

2. Always Keep Your Finger Out of the Trigger Guard and Off the Trigger Until You Are Ready to Shoot Your Target

Do not place your finger inside the trigger guard until you have placed a firearm's sights on your target and have decided to fire. The best place to rest your finger in the meantime is above the trigger guard along the frame. By waiting until you are aimed at your target, if the trigger were to be pressed, you will guarantee that a shot will travel safely in the direction of your intended target.



3. Always Keep a Firearm Pointed in a Safe Direction, Before and Beyond Your Target

It is important to identify your actual target, but it is just as important to know what lies past and before your target. A safe direction is any direction where an unintentional discharge will not cause injury or damage. In determining a safe direction, remember that a round can ricochet off an object or go through walls, floors, ceilings, and windows. Whether in a house or outdoors, the safest direction is the muzzle angled down toward the floor. And never point at or cross the muzzle of a firearm (loaded or unloaded) at any part of any person's body—the laser rule!

ADDITIONAL SAFE AND PROPER HANDLING AND STORAGE OF FIREARMS AND AMMUNITION RULES

Always Keep Children and Others Safe By Storing Firearms Secure and Away From Unauthorized Persons

You should always store firearms and ammunition out of the sight and reach of children and anyone else who is not an intended user or not physically or mentally capable of handling and using them properly and safely. Store firearms in a safe storage place—ideally, one you can lock.

Carefully Read the Entire Instruction Manual That Comes With Your Firearm

You should only use a firearm if you fully understand how to safely operate it. All firearms come with an instruction manual created by the manufacturer. If the firearm does not come with an instruction manual, contact the manufacturer directly and request one.

Always Determine That the Firearm is Safe to Operate

Before shooting, make sure the firearm is in good working order, that the barrel is clear, and that the firearm is safe to operate. This is especially important when handling a firearm that has been stored or unused for a long period of time.



Always Use Correct Ammunition

Never use improper or incorrect ammunition. Only use ammunition recommended by the firearm manufacturer that is for the caliber of your firearm. Most firearms have the caliber engraved or stamped on the barrel. Your ammunition should be the exact same caliber. If you use the incorrect ammunition, it can destroy a firearm and cause serious injury.

When Cleaning a Firearm, Make Sure it is Not Loaded

One of the most common statements following an accidental discharge is: "I was cleaning the gun and it went off!" When you clean a firearm, make sure it is not loaded. You should keep the ammunition in another room until you have finished cleaning the firearm and are ready to reload.

Never Use Firearms While Using Drugs or Alcohol

When you handle firearms, your judgment must NOT be impaired. You should NEVER handle firearms while under the influence of alcohol, illegal drugs, or while using legal prescription medication that can make you tired or affect your senses, reflexes, or judgment.

Use Eye and Ear Protection

Always wear proper eye and ear protection while shooting firearms; ear protection will help prevent hearing loss from the extreme decibel level of gunfire, and eye protection will help prevent ejection gases, ricocheted objects, casings, or any foreign objects from damaging your eyes. Be smart, be safe.

Z-5RS PISTOL MAJOR ASSEMBLY GROUPS



Figure 5- Z-5RS Pistol Major Assembly Groups

1. Receiver and Barrel Assembly
2. Bolt Carrier Assembly
3. Trigger Housing Assembly
4. Butt Cap
5. Hand Guard
6. Take-down Pin
7. Magazine Assembly
8. Picatinny Rail
9. Rear Take-down Pin
10. Thread Protector

1. Receiver and Barrel Assembly

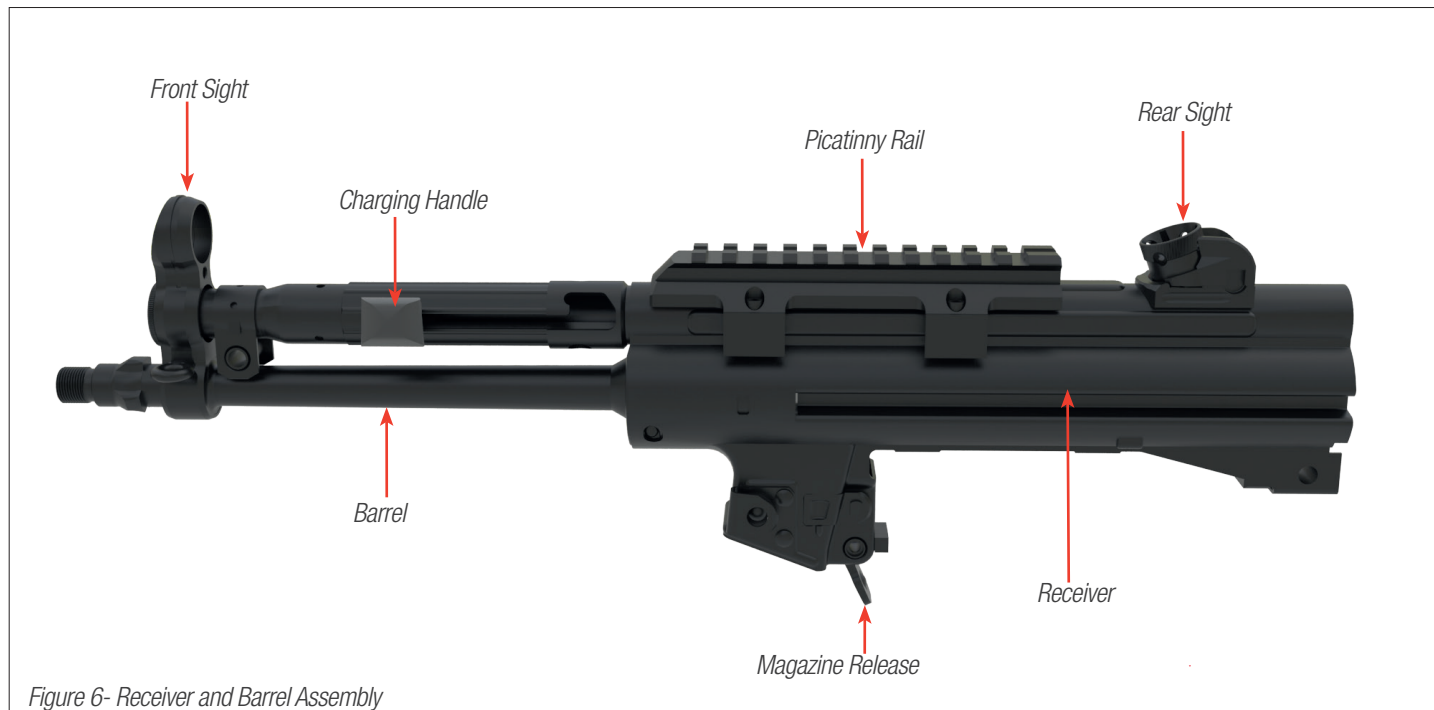


Figure 6- Receiver and Barrel Assembly

Barrel, charging (cocking) handle, Picatinny rail, and both sights are attached to the receiver. The muzzle has a 3-lug quick detach system for a muzzle brake or suppressor and has a 1/2x28 threaded end for alternate suppressor attachment.

The barrel is attached to the trunnion with a barrel retention pin (not removable). The charging handle is located above the barrel and is used to load a round and can be used to lock the bolt back to put the firearm in a safe condition.

The front sight is a fixed blade in a protected ring, and the rear sight is a protected drum, adjustable for windage and elevation. This drum has four apertures corresponding to various elevations and rear sight widths.

The Picatinny rail is attached to the receiver by way of four socket head cap screws and wedge-nuts.

2. Bolt Carrier Assembly

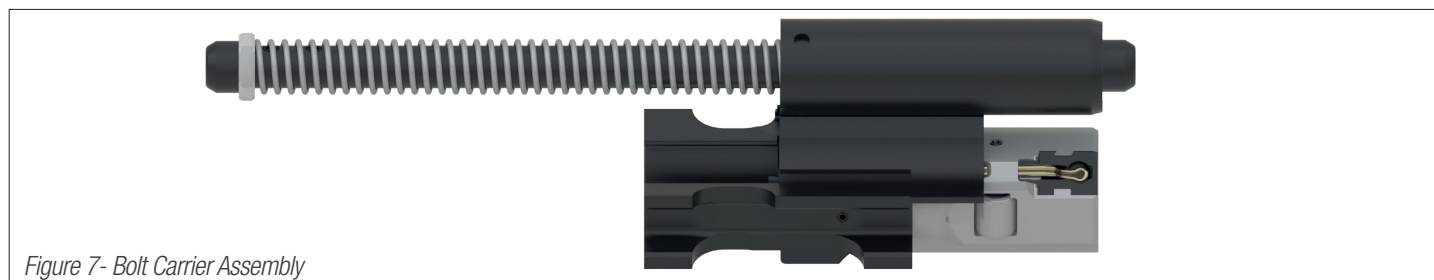


Figure 7- Bolt Carrier Assembly

The bolt carrier slides into the receiver and mates with the recoil spring. The bolt carrier slides forward to chamber the next round, engages the rollers to lock the bolt, releases the firing pin to fire the weapon and then moves rearward to eject the spent casing and re-cock the firing pin.

Bolt Carrier Assembly contains the following parts:

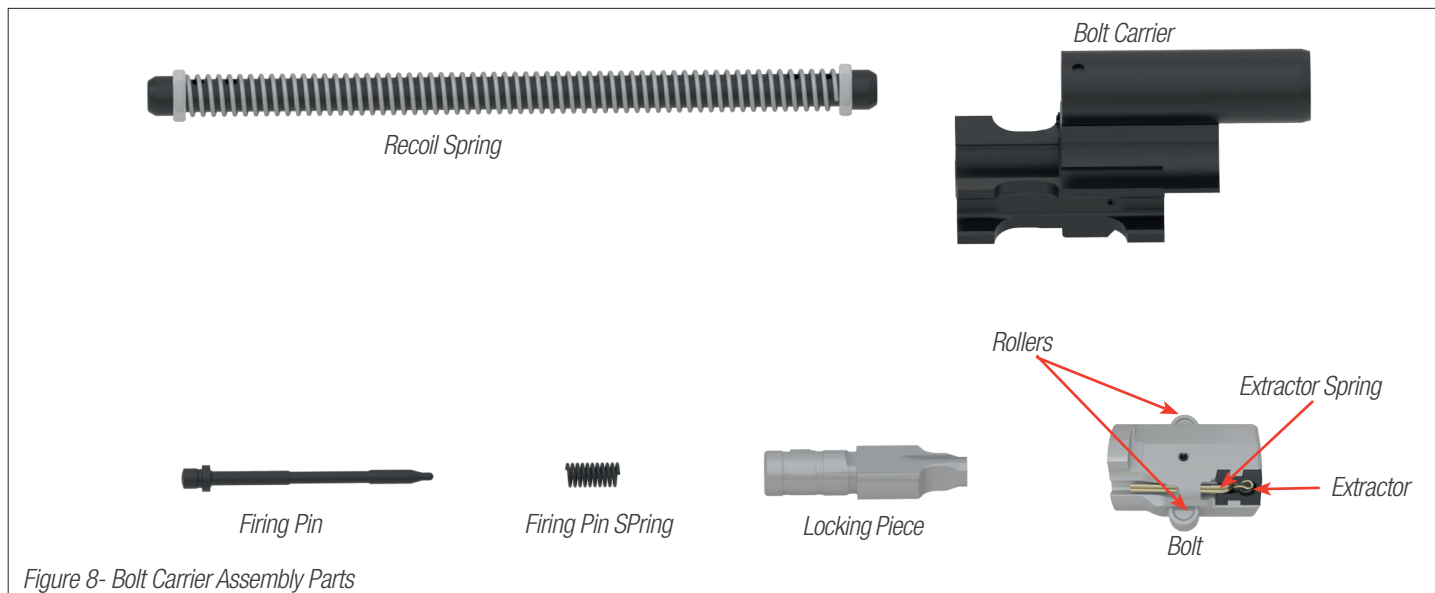


Figure 8- Bolt Carrier Assembly Parts

3. Trigger Housing Assembly



Figure 9- Trigger Housing Assembly

The trigger housing is held in place by two take-down pins that can be fully removed by sliding them out. The trigger housing forms the pistol grip and contains the trigger pack and its associated parts, such as the hammer, trigger, and sears. Removal of the axle facilitates removal of the trigger pack. It is recommended that a certified armorer initiate disassembly of the trigger pack.

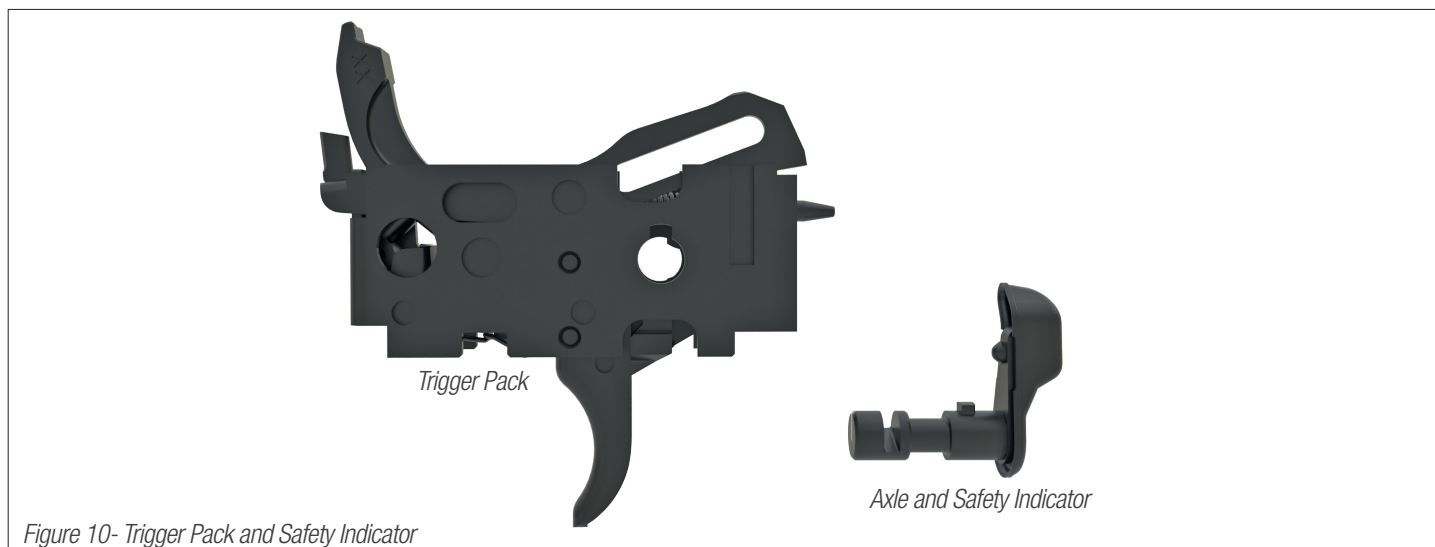


Figure 10- Trigger Pack and Safety Indicator

4. Butt Cap



Figure 11- Butt Cap

This component is held in place at the rear end of the receiver by a take-down pin that can be fully removed by sliding it out.

5. Hand Guard

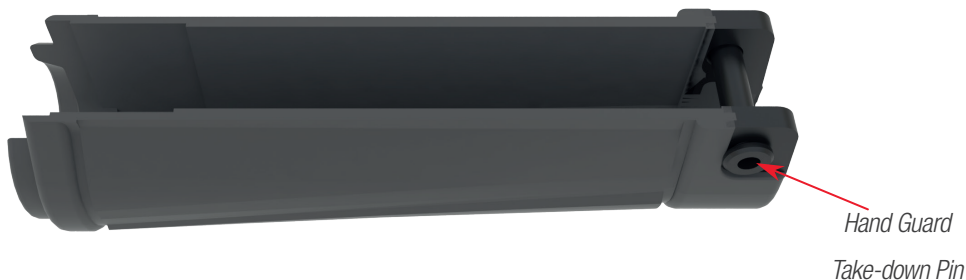


Figure 12- Hand Guard

The hand guard is attached under the barrel by having its rear slide over the receiver and then held in place by a pin. The hand guard protects the shooter from the heat of the barrel. There are several different hand guard options. Your firearm is supplied with the standard, low profile style.

6. Magazine Assembly

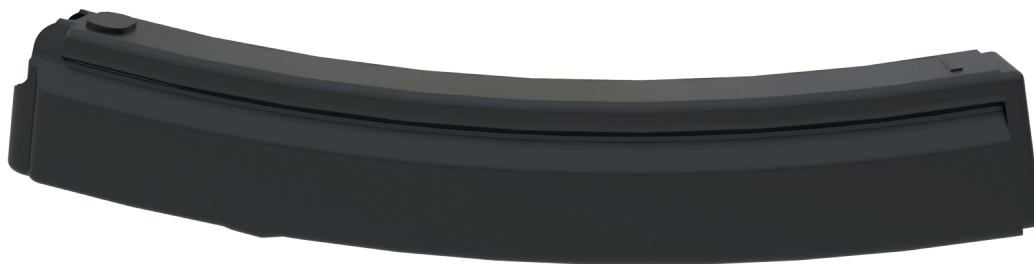


Figure 13- Magazine Assembly

The metal magazine assembly holds 30 rounds.

Magazine Assembly contains the following parts:



7. Picatinny Rail



The Picatinny rail is manufactured to the MIL-STD-1913 and is attached to the top of the receiver by way of four socket head cap screws and four wedge-nuts that hold it firmly in place. This is used for quick connection of optics.



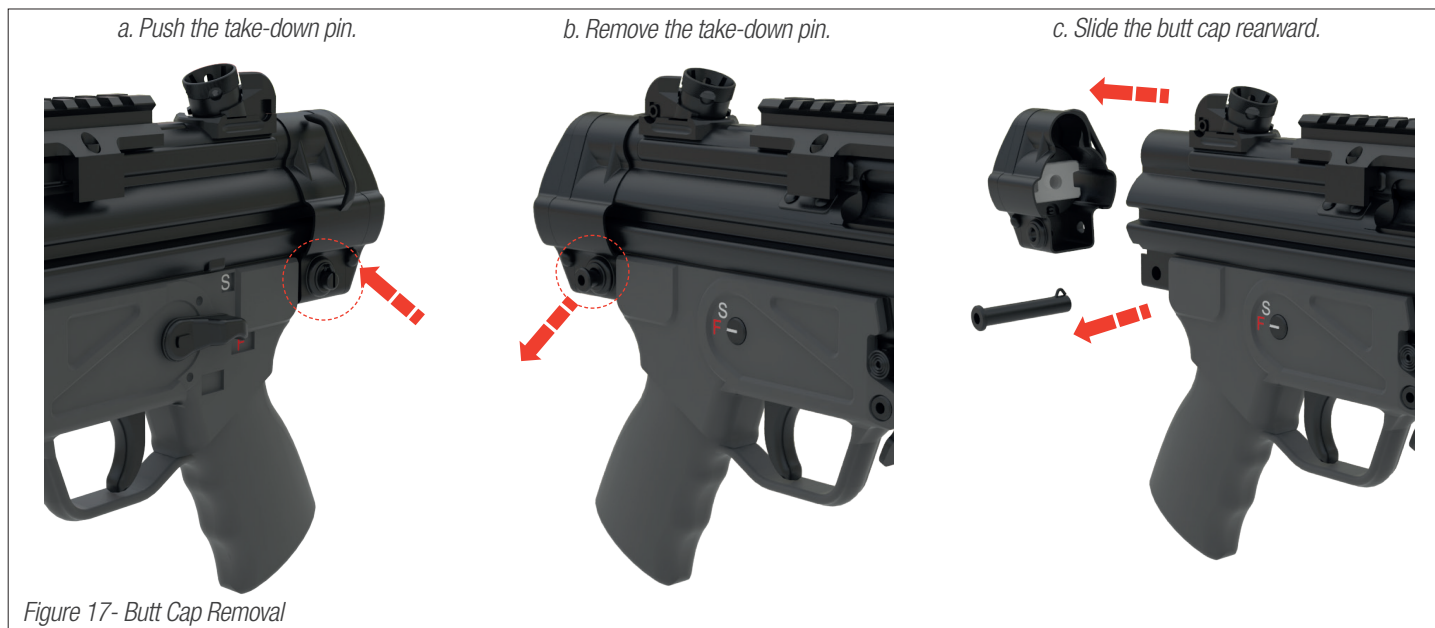
Z-5RS PISTOL DISASSEMBLY PROCEDURES

1. Magazine Removal



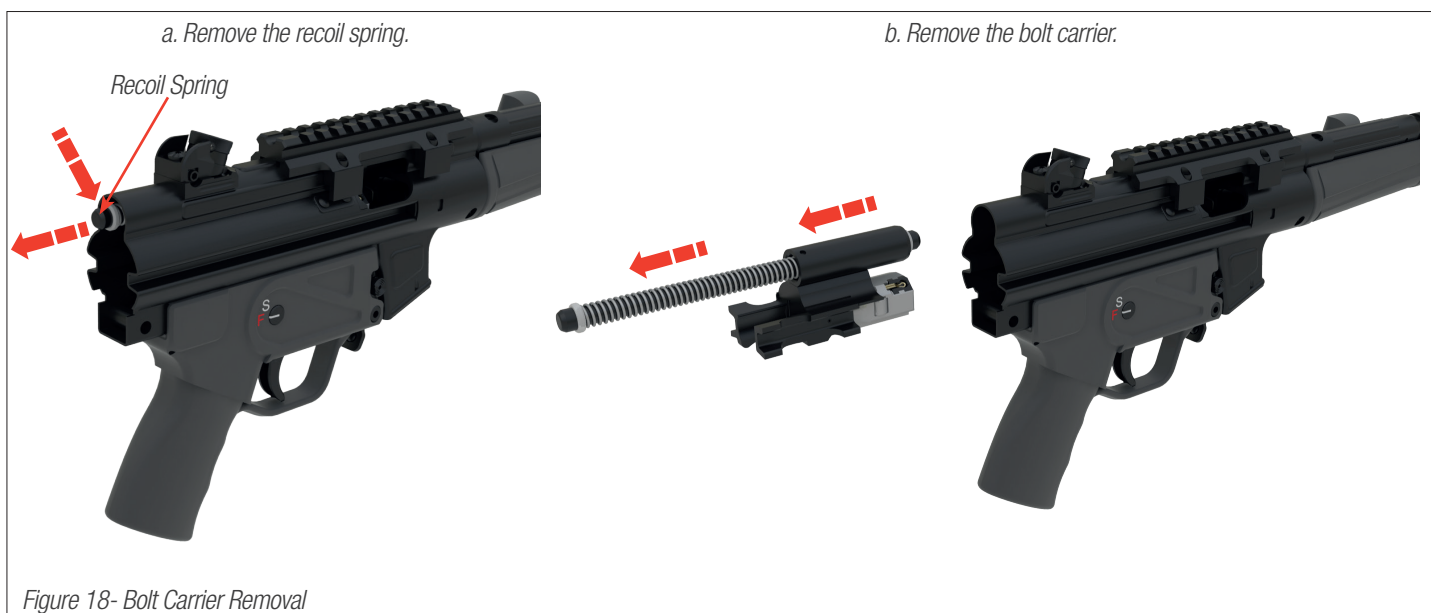
Press the magazine release button or paddle (see image a). Remove the magazine by pulling downward (see image b).

2. Butt Cap Removal



Push the pin inward (see image a). On the other side of the firearm, remove the take-down pin (see image b). Slide butt cap rearward until separated (see image c).

3. Bolt Carrier Removal



After the removal of the butt cap, the bolt carrier is loose inside the receiver. To remove the bolt carrier gently pull back the charging handle until the recoil spring is projecting from the receiver (see image a). Remove the recoil spring to remove the bolt carrier (see image b). NOTE: It is not necessary to remove the recoil spring from the bolt carrier for cleaning.

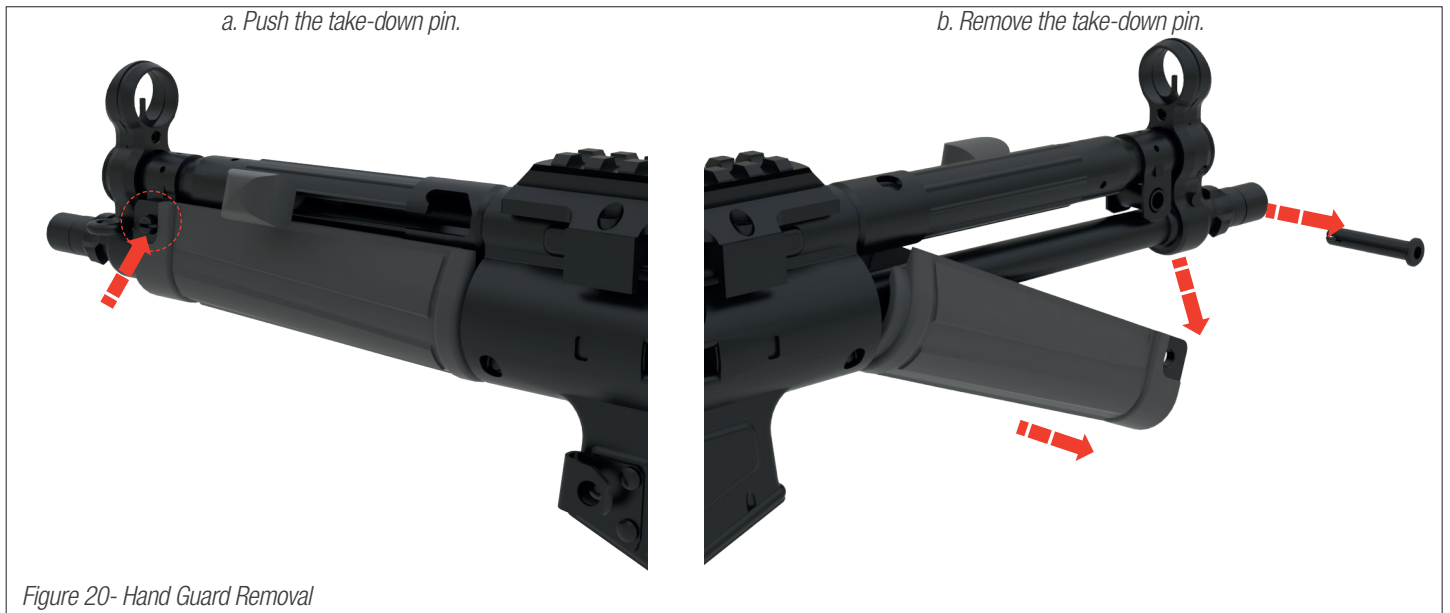
4. Trigger House Removal



Push the pin inward (see image a). On the other side of the firearm, remove the pin (see image b). Slide the trigger housing downward and rearward until separated (see image c).



5. Hand Guard Removal



Push the take-down pin inward (see image a). Remove the take-down pin from the pistol. Pull down and forward on the hand guard and the hand guard will slide off of the receiver(see image b).

Z-5RS PISTOL REASSEMBLY

Reassemble the rifle in reverse order of disassembly.



CAUTION: DO NOT USE EXCESSIVE FORCE WHEN DISASSEMBLING, ASSEMBLING OR CLEANING THE FIREARM.

Z-5K PISTOL MAJOR ASSEMBLY GROUPS



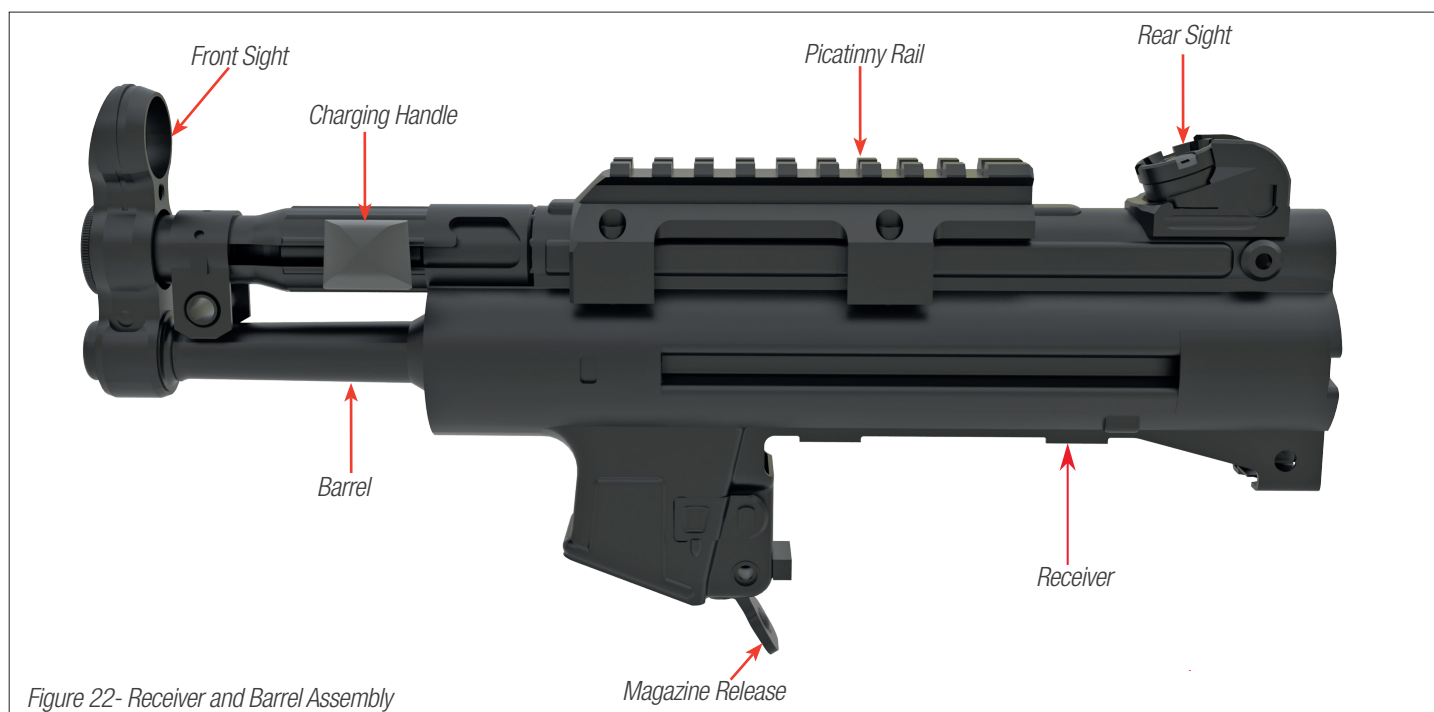
Figure 21- Z-5K Pistol Major Assembly Groups

- | | |
|---------------------------------|----------------------|
| 1. Receiver and Barrel Assembly | 5. Hand Guard |
| 2. Bolt Carrier Assembly | 6. Take-down Pin |
| 3. Trigger Housing Assembly | 7. Magazine Assembly |
| 4. Butt Cap | 8. Picatinny Rail |



WARNING: THE Z-5K COMES EQUIPPED WITH A VERY SHORT BARREL THAT UTILIZES AN EXTENDED HAND GUARD SHROUD TO HELP PROTECT THE USER FROM ACCIDENTALLY PLACING HIS OR HER FINGER IN FRONT OF THE BARREL. IT IS OF PARAMOUNT IMPORTANCE TO BE AWARE OF THIS AND REFRAIN FROM PLACING THE HAND IN FRONT OF THE BARREL.

1. Receiver and Barrel Assembly

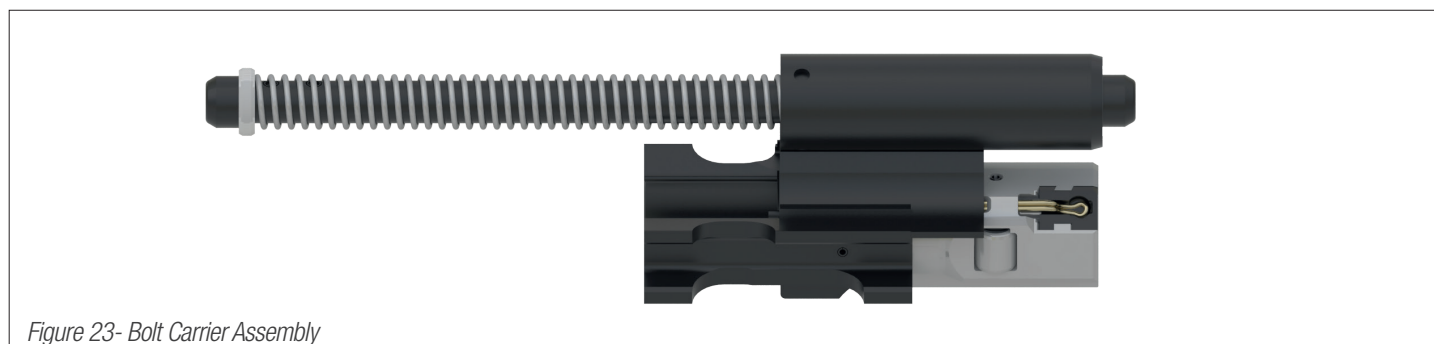


Barrel, charging (cocking) handle, Picatinny rail and both sights are attached to the receiver. The barrel is attached to the trunnion with a barrel retention pin (not removable). The charging handle is located above the barrel and is used to load a round and can be used to lock the bolt back to put the firearm in a safe condition.

The front sight is a fixed blade in a protected ring, and the rear sight is a protected drum, adjustable for windage and elevation. This drum has four apertures corresponding to various elevations and rear sight widths.

The Picatinny rail is attached to the receiver by way of four socket head cap screws and wedge-nuts.

2. Bolt Carrier Assembly



The bolt carrier slides into the receiver and retains the recoil spring. The bolt carrier contains the bolt assembly and is moved forward under spring pressure. The bolt strips a round from the magazine feeding and chambering the next round, engages the rollers to lock the bolt, releases the firing pin to fire the weapon and then moves rearward to eject the spent casing and re-cock the firing pin.

Bolt Carrier Assembly contains the following parts:

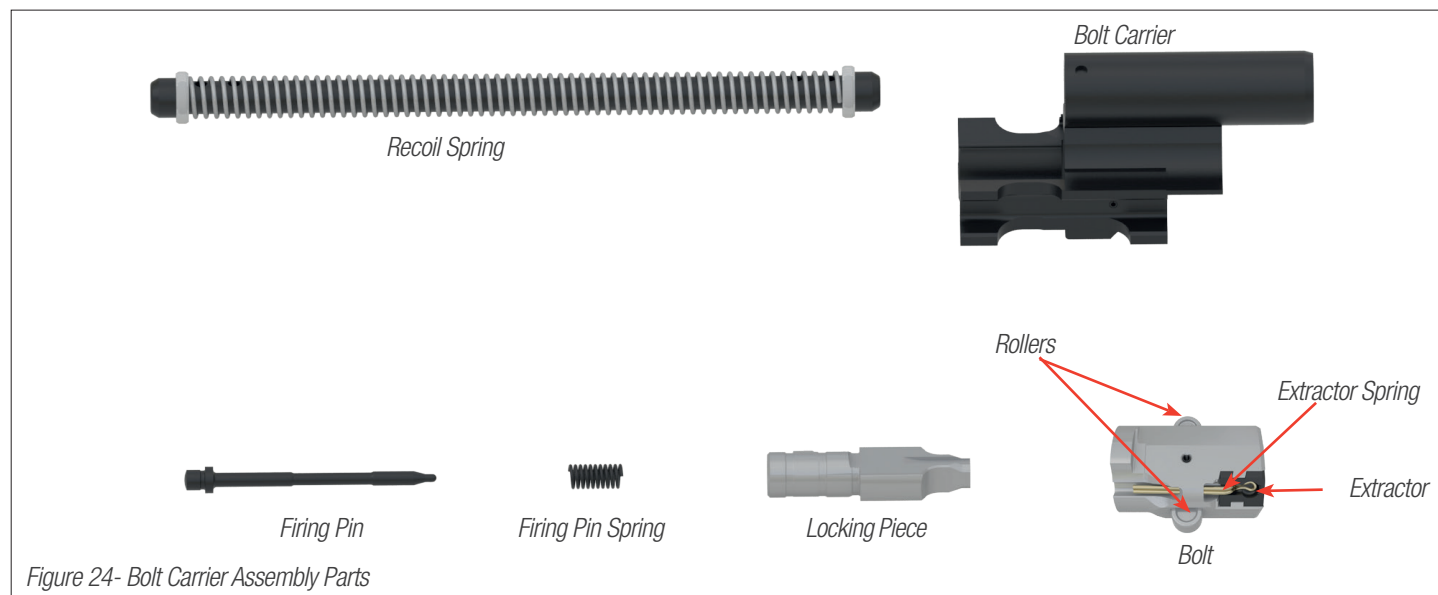


Figure 24- Bolt Carrier Assembly Parts

3.Trigger Housing Assembly



Figure 25- Trigger Housing Assembly

The trigger housing assembly is held in place by two take-down pins that can be fully removed by sliding them out. The trigger housing assembly forms the pistol grip and contains the trigger pack and its associated parts, such as the hammer, trigger, and sears. Removal of the axle facilitates removal of the trigger pack. It is recommended that a certified armorer initiate disassembly of the trigger pack.

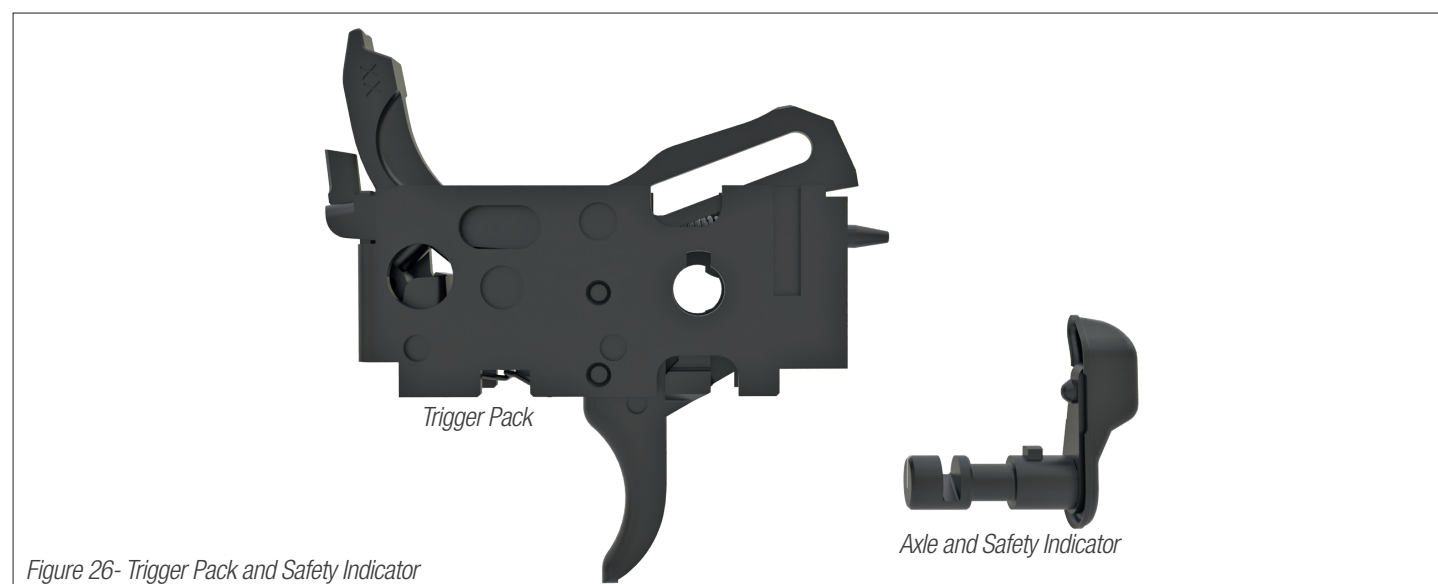


Figure 26- Trigger Pack and Safety Indicator

4. Butt Cap

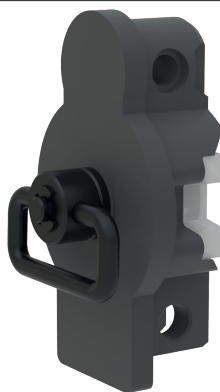


Figure 27- Butt Cap

The buttcap is held in place at the rear end of the receiver by two take-down pins that can be fully removed by sliding them out.

5. Hand Guard

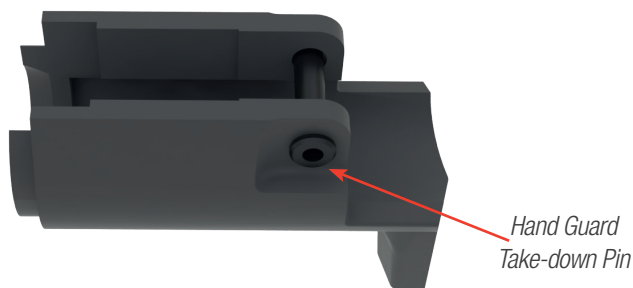


Figure 28- Hand Guard

The hand guard is attached under the barrel to the receiver and held in place by a pin. The hand guard protects the shooter from the heat of the barrel. There are several different hand guard options.

6. Magazine Assembly

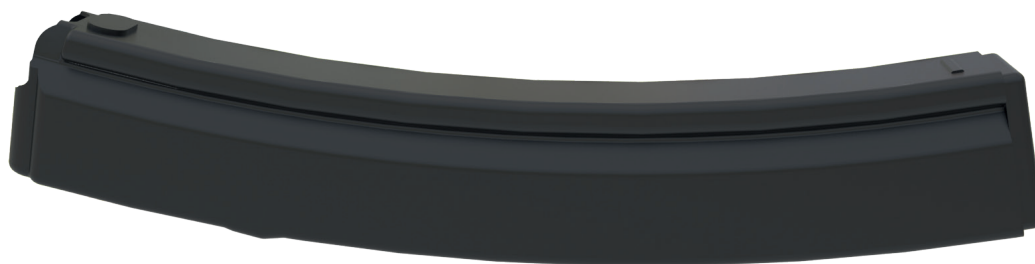


Figure 29- Magazine Assembly

The metal magazine assembly holds 30 rounds.

Magazine contains the following parts:

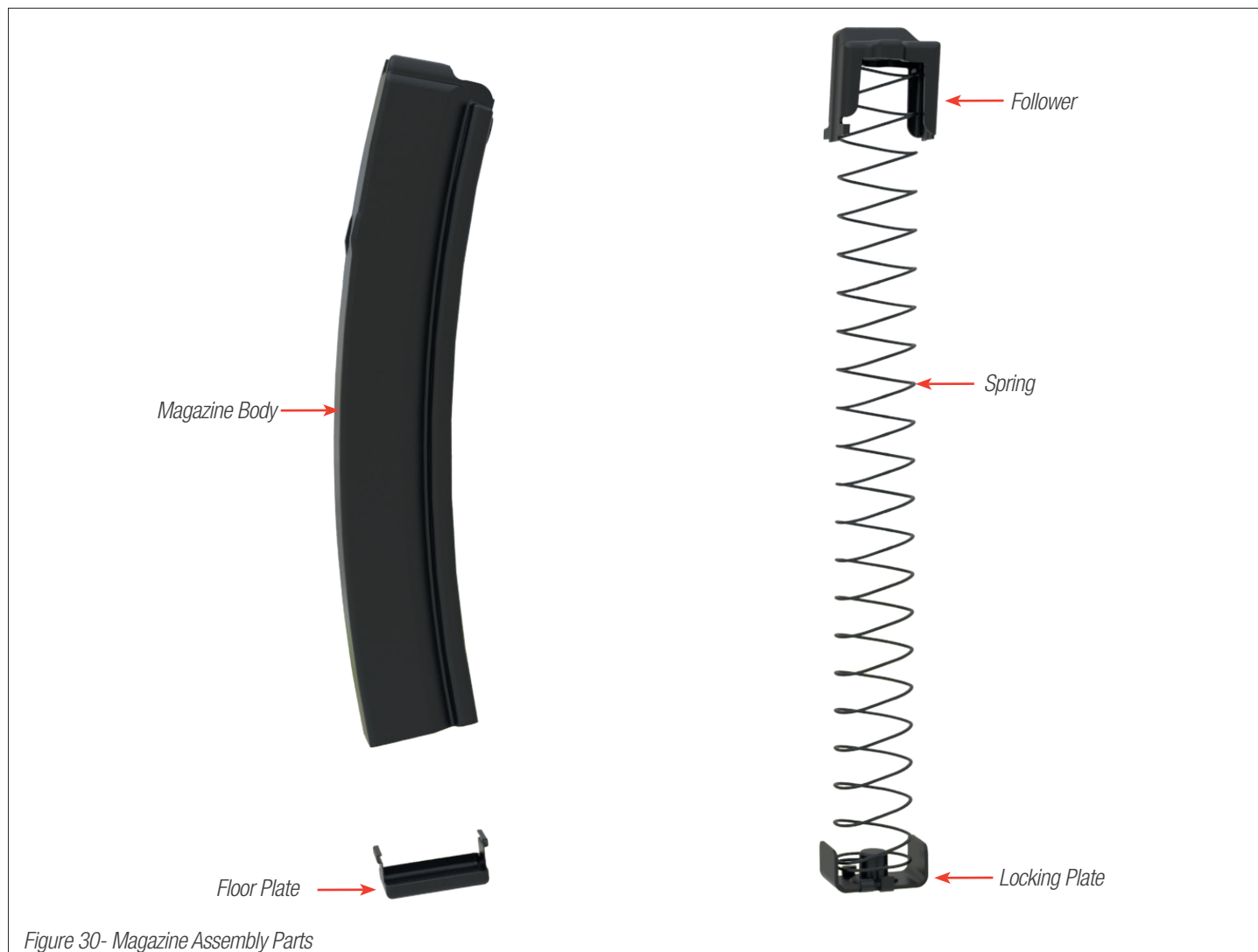


Figure 30- Magazine Assembly Parts

7. Picatinny Rail

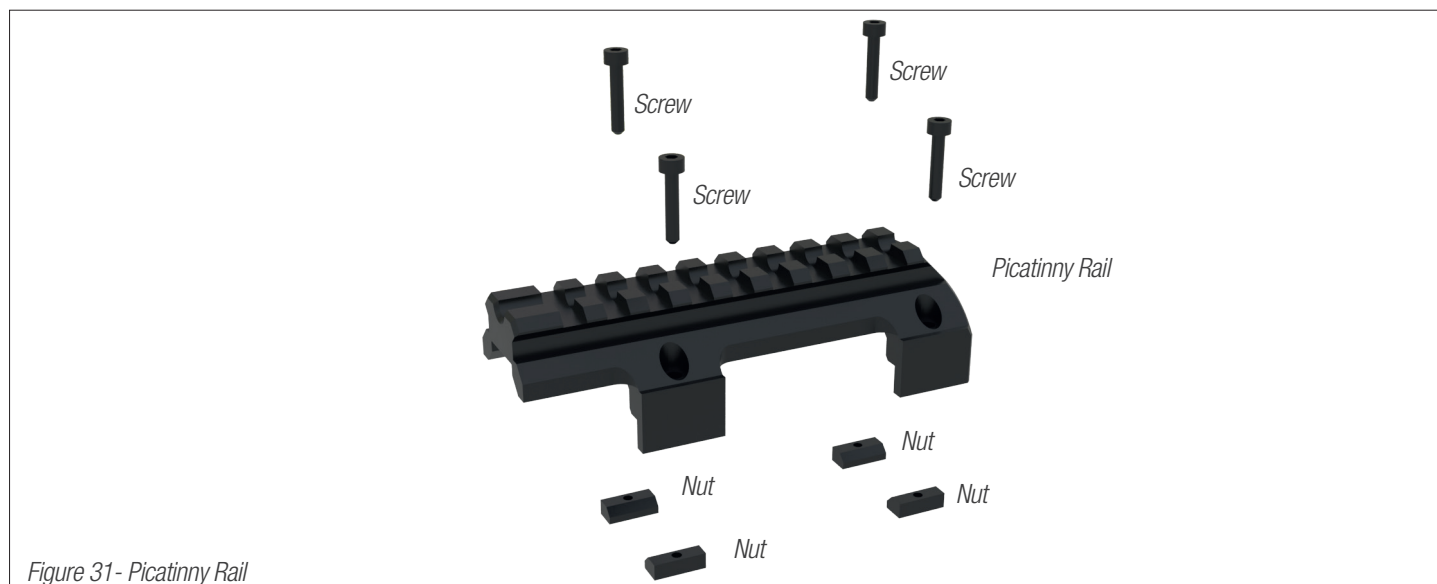


Figure 31- Picatinny Rail

The Picatinny rail is manufactured to the MIL-STD-1913 and is attached to the top of the receiver by way of four socket head cap screws and four wedge-nuts that hold it firmly in place. This is used for quick connection of optics.



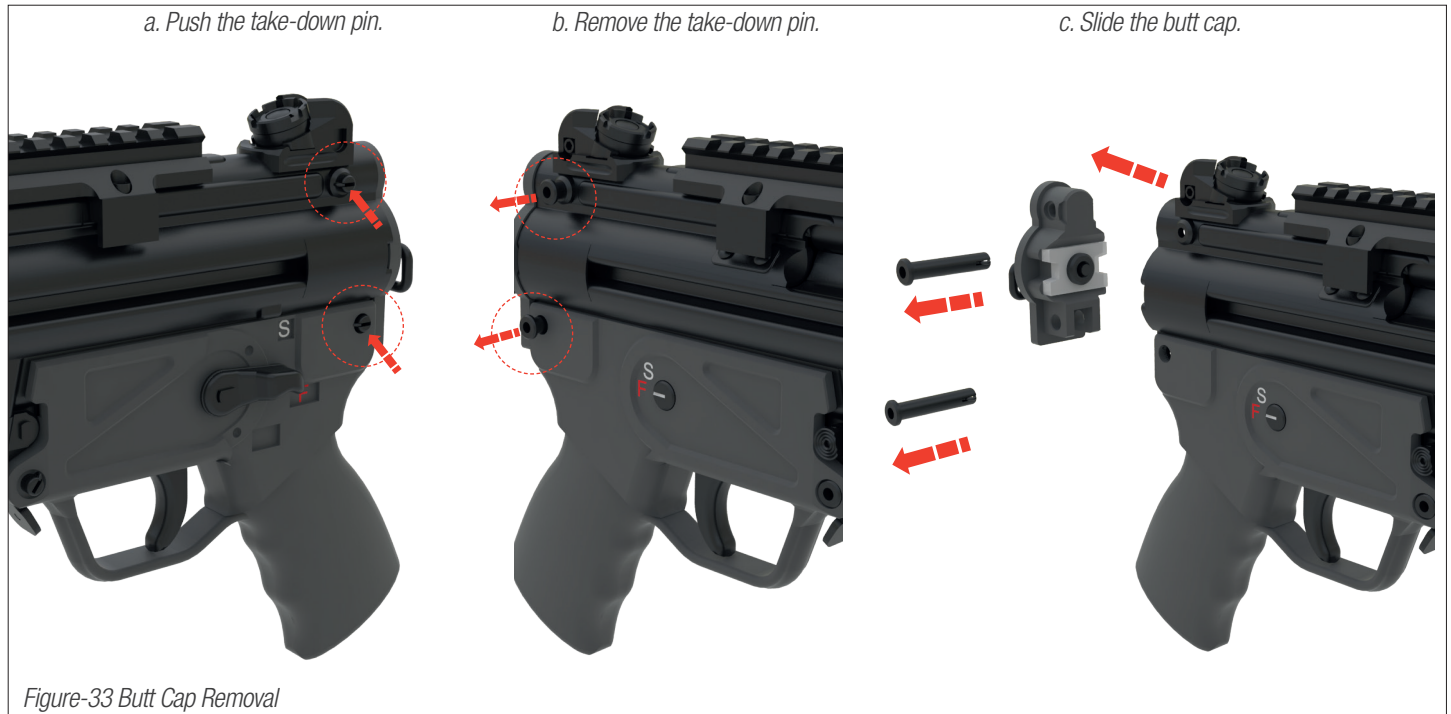
Z-5K PISTOL DISASSEMBLY PROCEDURES

1. Magazine Removal



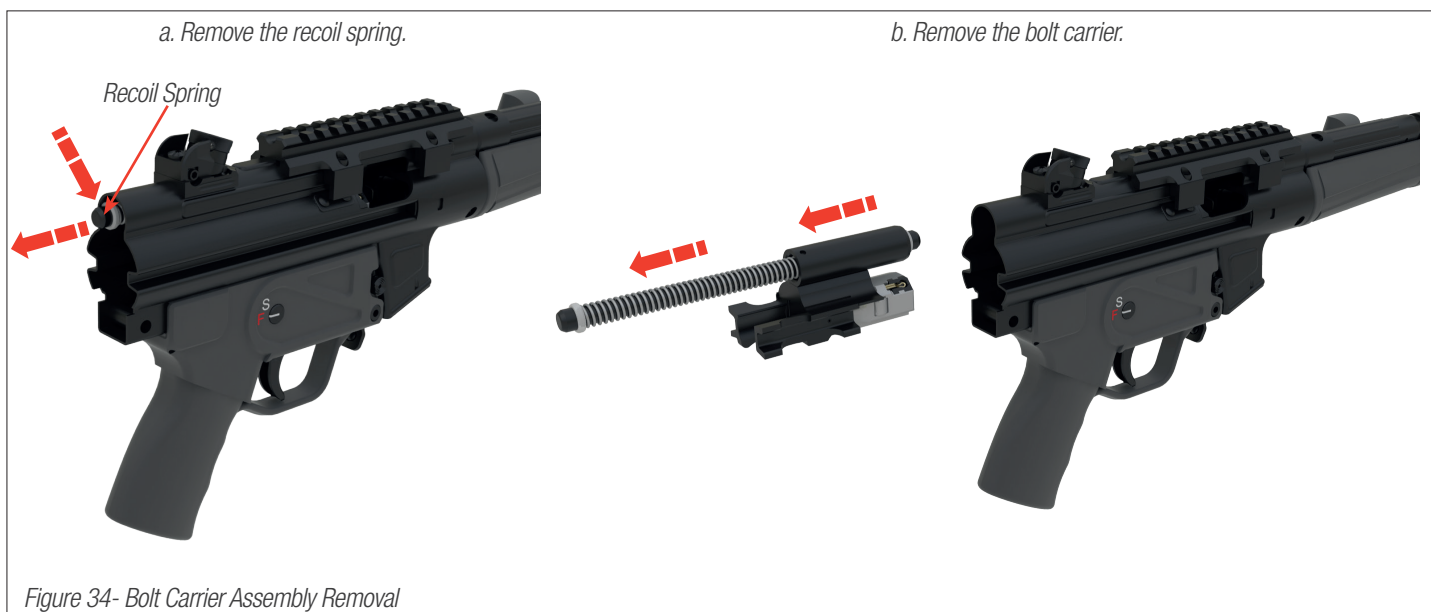
Press the magazine release button or paddle (see image a). Remove the magazine by pulling downward (see image b).

2. Butt Cap Removal



Push the pin inward (see image a). On the other side of the firearm, remove the take-down pin (see image b). Slide butt cap rearward until separated (see image c).

3. Bolt Carrier Assembly Removal



After the removal of the butt cap, the bolt carrier assembly is loose inside the receiver. To remove the bolt carrier assembly gently pull back the charging handle until the recoil spring is projecting from the receiver (see image a). Pull the recoil spring to remove the bolt carrier assembly (see image b). NOTE: It is not necessary to separate the recoil spring from the bolt carrier assembly for cleaning.

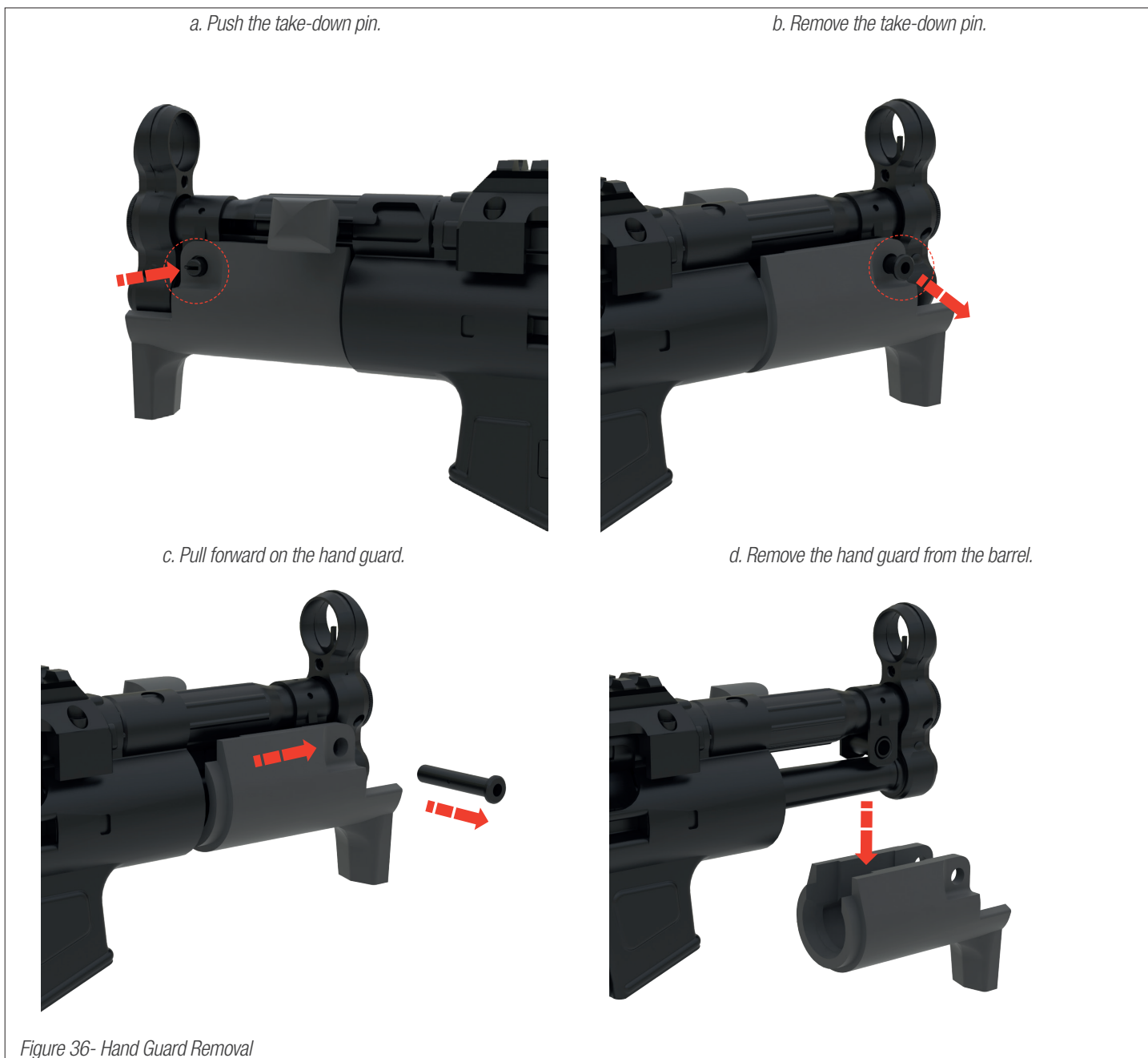
4. Trigger Housing Assembly Removal



Push the pin inward (see image a). On the other side of the firearm, remove the pin (see image b). Slide the trigger housing assembly downward and rearward until separated (see image c).



5. Hand Guard Removal



Push the take-down pin inward (see image a). Pull the take-down pin clear of the pistol (see image b). Pull forward on the hand guard and the hand guard will slide off of the receiver (see image c and d).

Z-5K PISTOL REASSEMBLY

Reassemble the pistol in reverse order of disassembly.

NOTE: REASSEMBLE THE PISTOL IN REVERSE ORDER OF DISASSEMBLY.

Z-5P PISTOL MAJOR ASSEMBLY GROUPS



Figure 37- Z-5P Major Assembly Groups

1. Receiver and Barrel Assembly
2. Bolt Carrier Assembly
3. Trigger Housing Assembly
4. Butt Cap
5. Hand Guard
6. Take-down Pin
7. Magazine Assembly
8. Picatinny Rail
9. Thread Protector

1. Receiver and Barrel Assembly

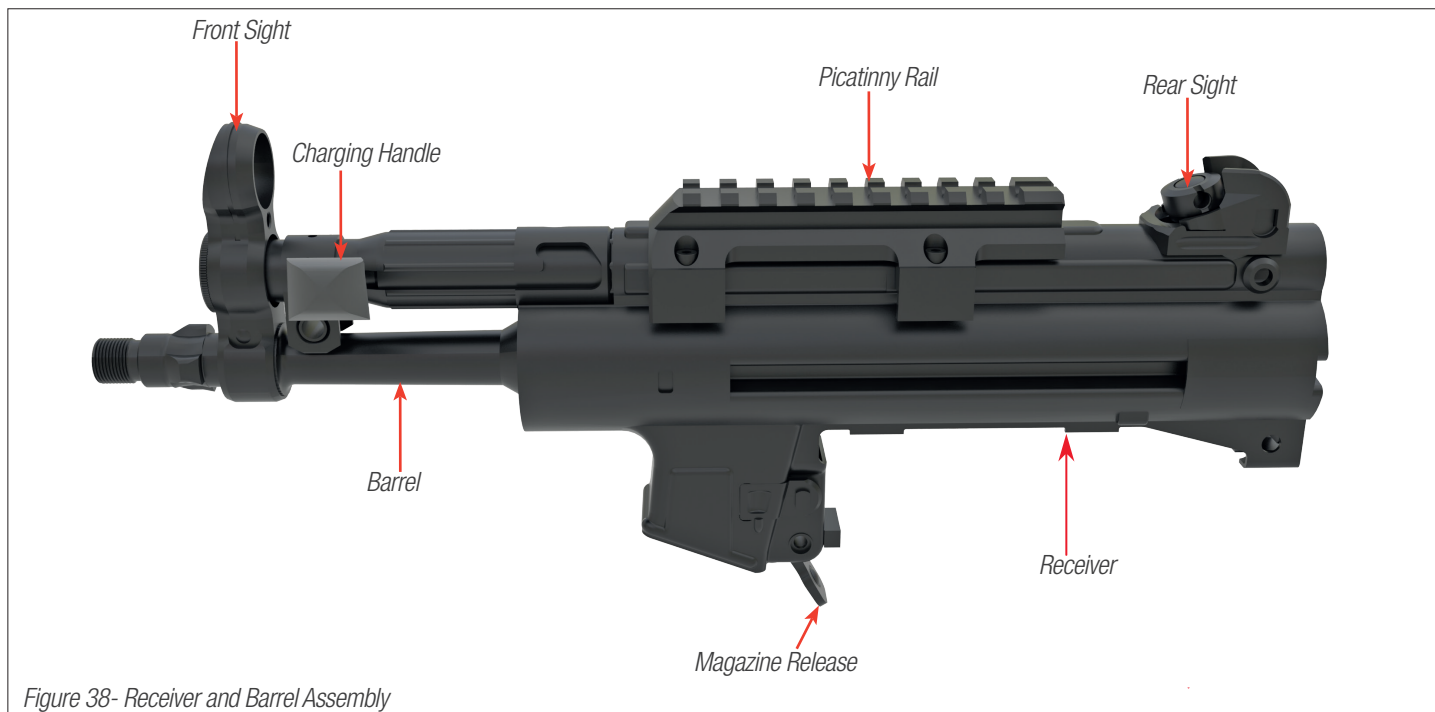


Figure 38- Receiver and Barrel Assembly

Barrel, charging (cocking) handle, Picatinny rail, and both sights are attached to the receiver. The muzzle has a 3-lug quick detach system for muzzle brake or suppressor and has a 1/2x28 threaded end for alternate suppressor attachment.

The barrel is attached to the trunnion with a barrel retention pin (not removable). The charging handle is located above the barrel and is used to load a round and can be used to lock the bolt back to put the firearm in a safe condition.

The front sight is a fixed blade in a protected ring, and the rear sight is a protected drum, adjustable for windage and elevation. This drum has four apertures corresponding to various elevations and rear sight widths.

The Picatinny rail is attached to the receiver by way of four socket head cap screws and wedge-nuts.

2. Bolt Carrier Assembly

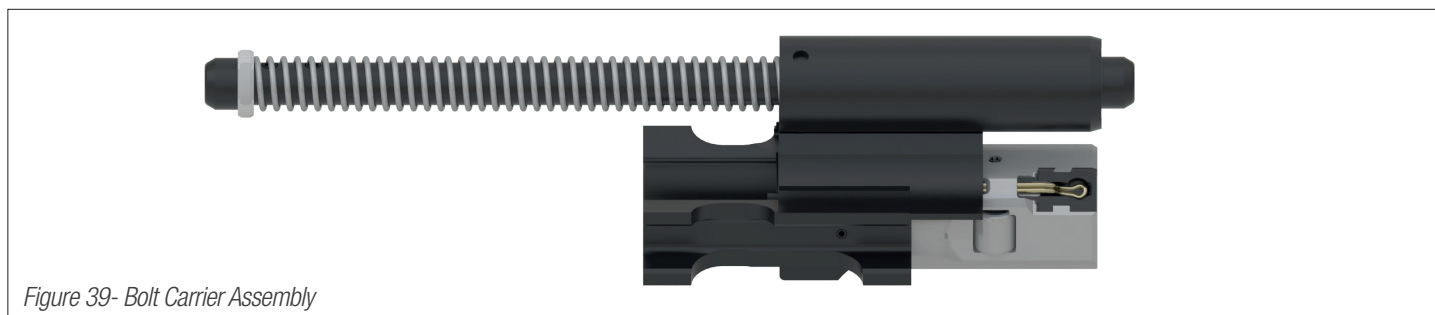
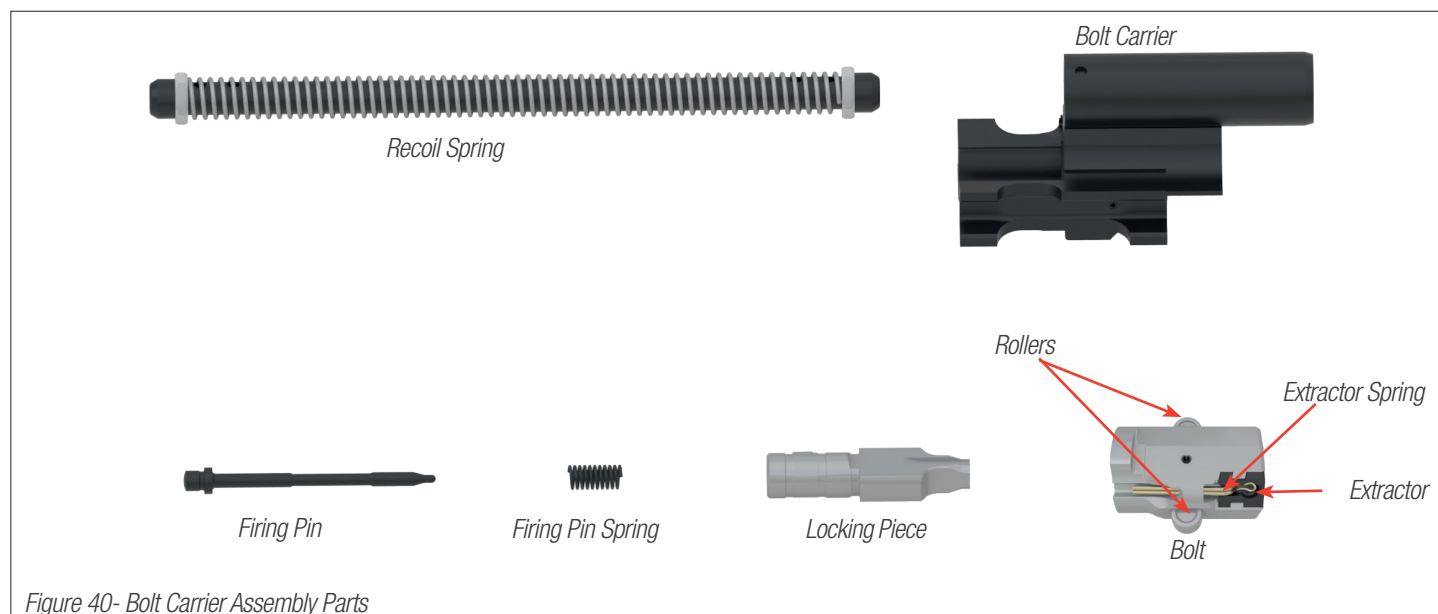


Figure 39- Bolt Carrier Assembly

The bolt carrier assembly slides into the receiver and retains the recoil spring. The bolt carrier contains assembly the bolt assembly and is moved forward under spring pressure. The bolt strips a round from the magazine feeding and chambering the next round, engages the rollers to lock the bolt, releases the firing pin to fire the weapon, and then moves rearward to eject the spent casing and re-cock the firing pin.

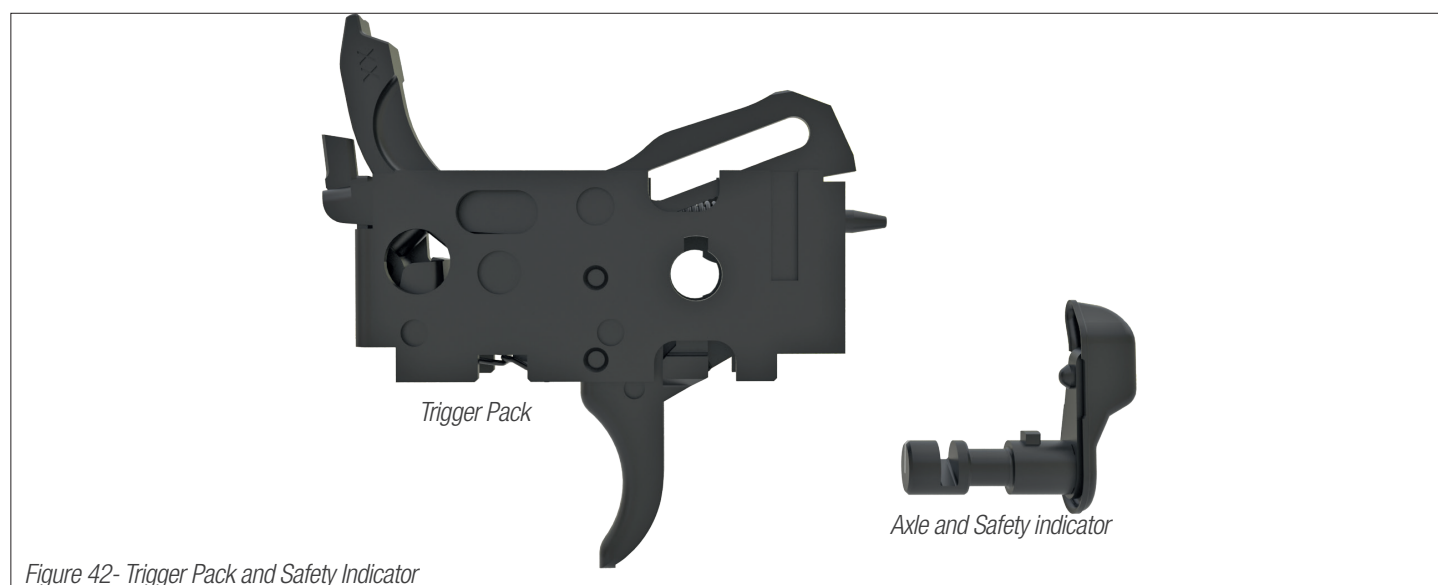
Bolt Carrier Assembly contains the following parts:



3. Trigger Housing Assembly



The trigger housing assembly is held in place by two take-down pins that can be fully removed by sliding them out. The trigger housing assembly forms the pistol grip and contains the trigger pack and its associated parts, such as the hammer, trigger, and sears. Removal of the axle facilitates removal of the trigger pack. It is recommended that a certified armorer initiate disassembly of the trigger pack.



4. Butt Cap

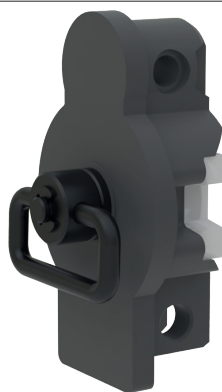


Figure 43- Butt Cap

This component is held in place at the rear end of the receiver by two take-down pins that can be fully removed by sliding them out.

5. Hand Guard

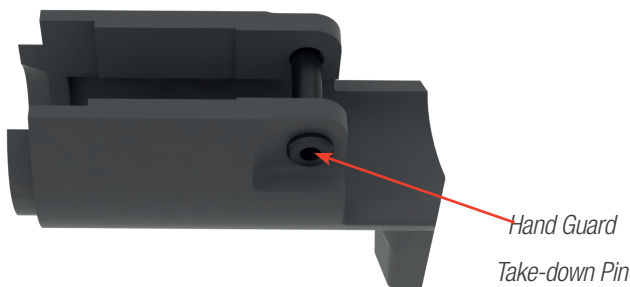


Figure 44- Hand Guard

The hand guard is attached under the barrel to the receiver and held in place by a pin. The hand guard protects the shooter from the heat of the barrel. There are several different hand guard options. Your firearm is supplied with the standard, low profile style.

6. Magazine Assembly

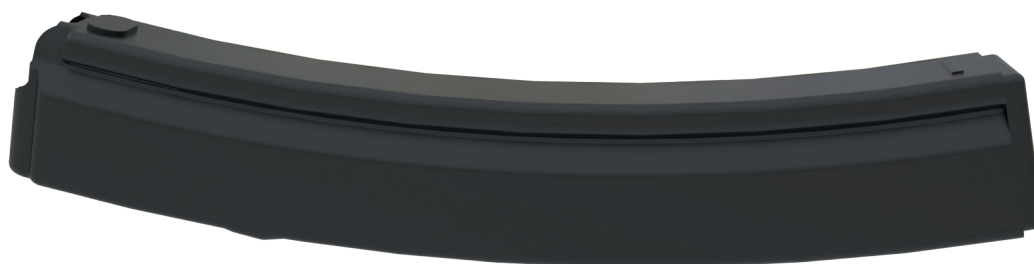


Figure 45- Magazine Assembly

The metal magazine assembly holds 30 rounds.

Magazine assembly contains the following parts:



Figure 46- Magazine Assembly Parts

7. Picatinny Rail

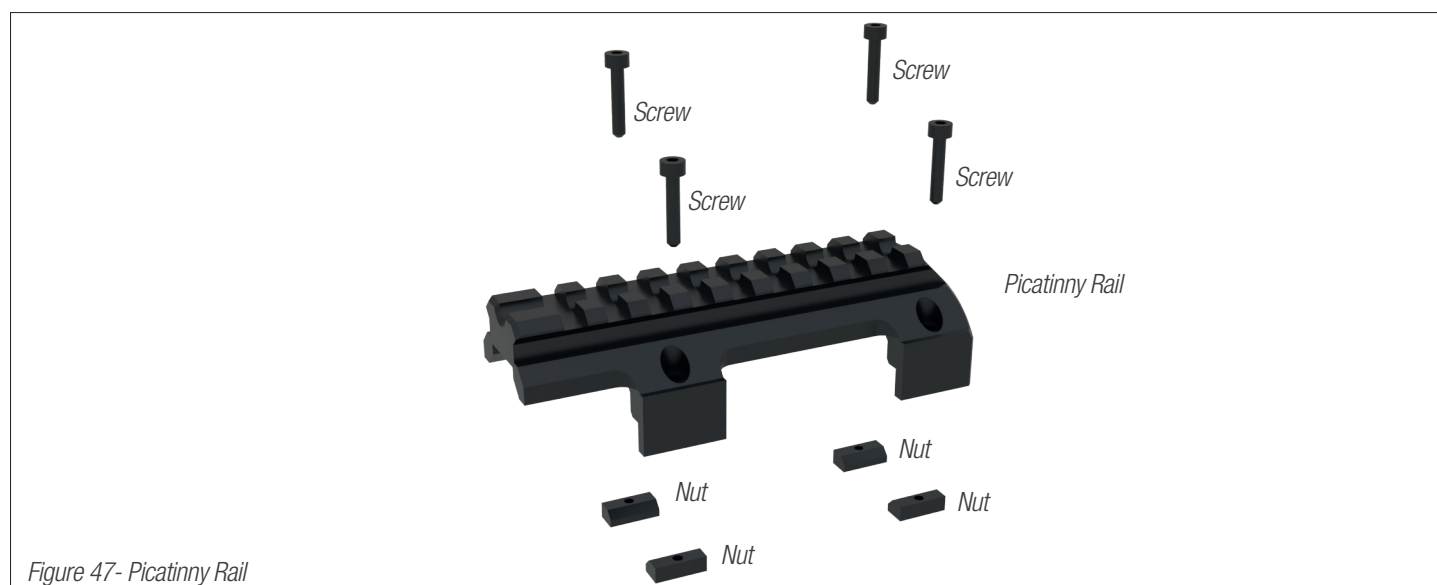


Figure 47- Picatinny Rail

The Picatinny rail is manufactured to the MIL-STD-1913 and is attached to the top of the receiver by way of four socket head cap screws and four wedge-nuts that hold it firmly in place. This is used for quick connection of optics.



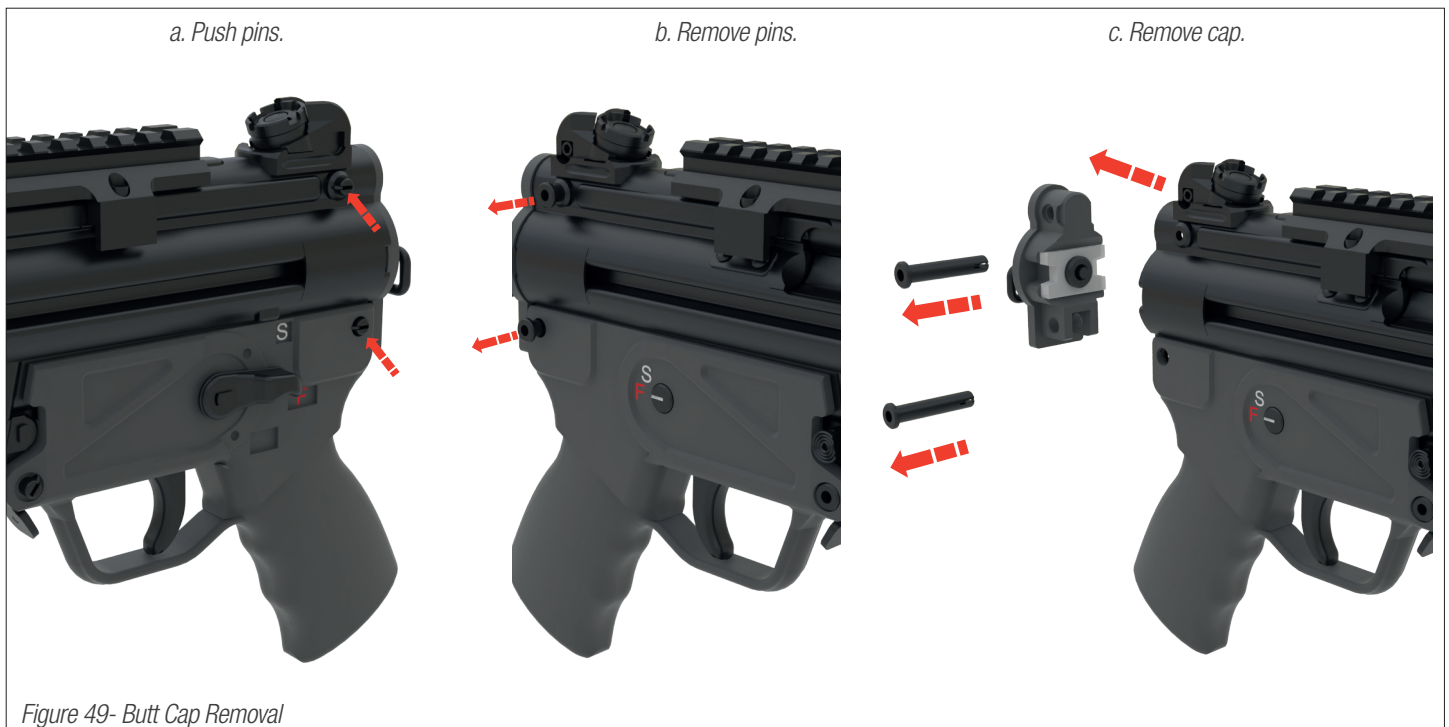
Z-5P PISTOL DISASSEMBLY PROCEDURES

1. Magazine Removal



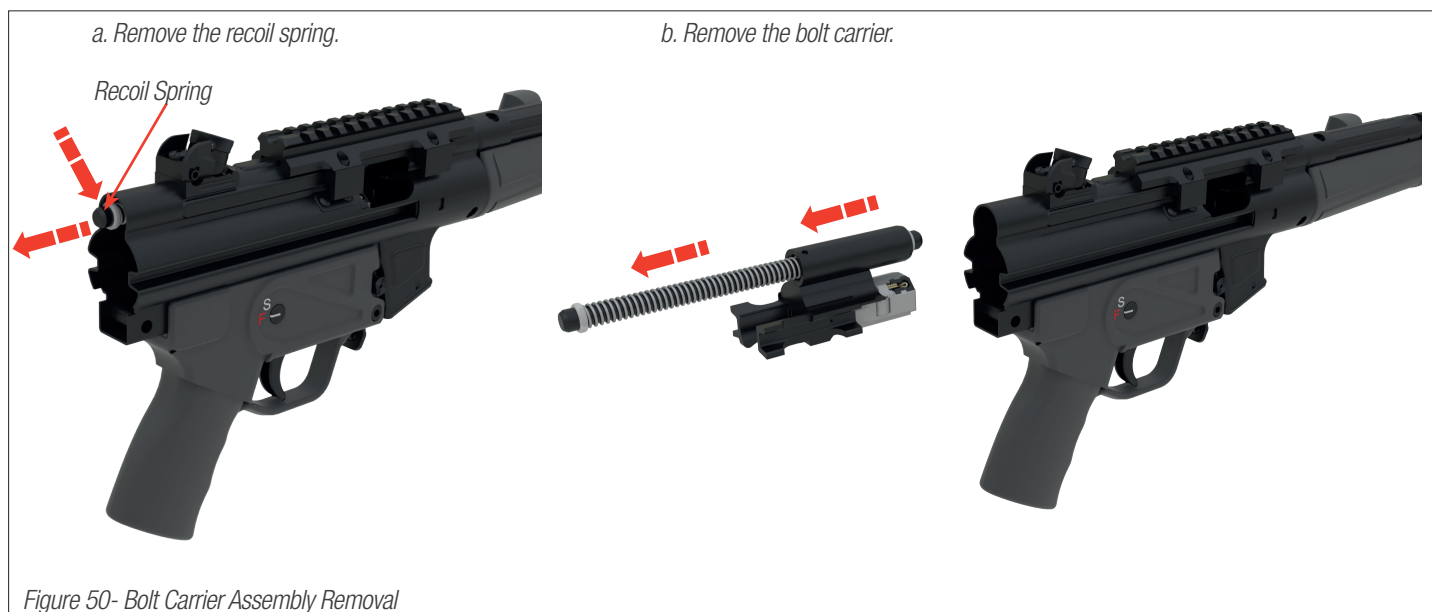
Press the magazine release button or paddle (see image a). Remove the magazine by pulling downward (see image b)

2. Butt Cap Removal



Push the pin inward (see image a). On the other side of the firearm, Remove the take-down pin (see image b). Slide butt cap rearward until separated (see image c).

3. Bolt Carrier Assembly Removal



CAUTION: ENSURE THE BOLT CARRIER IS IN THE FORWARD POSITION PRIOR TO REMOVING THE TAKEDOWN PINS

After the removal of the butt cap, the bolt carrier assembly is loose inside the receiver. To remove the bolt carrier assembly gently pull back the charging handle until the recoil spring is projecting from the receiver (see image a). Pull the recoil spring and remove the bolt carrier assembly (see image b). **NOTE:** It is not necessary to separate the recoil spring from the bolt carrier assembly for cleaning.

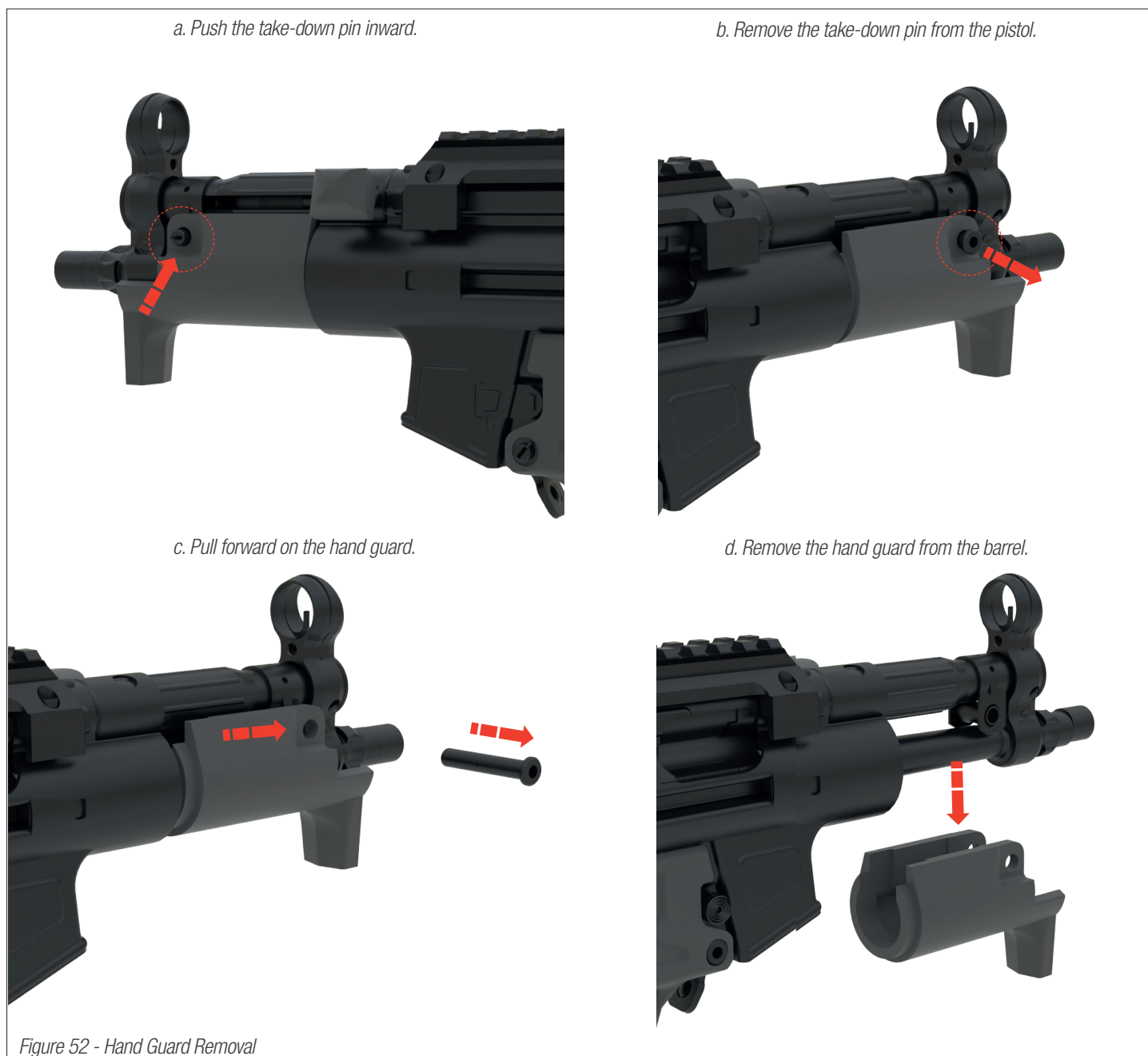
4. Trigger Housing Assembly Removal



Push the pin inward (see image a). On the other side of the firearm, remove the pin (see image b). Slide the trigger housing assembly downward and rearward until separated (see image c).



5. Hand Guard Removal



Push the pin inward (see image a). On the other side of the firearm, remove the pin (see image b). Slide the trigger housing downward and rearward until separated (see image c and d).

Z-5P PISTOL REASSEMBLY

Reassemble the pistol in reverse order of disassembly.



CAUTION: DO NOT USE EXCESSIVE FORCE WHEN DISASSEMBLING, ASSEMBLING, OR CLEANING THE FIREARM.

Z-5 RIFLE MAJOR ASSEMBLY GROUPS



1. Receiver and Barrel Assembly
2. Bolt Carrier Assembly
3. Trigger Housing and Buttstock Assembly
4. Hand Guard
5. Take-down Pin
6. Magazine Assembly
7. Picatinny Rail
8. Thread Protector
9. Take-down Pin

1. Receiver and Barrel Assembly

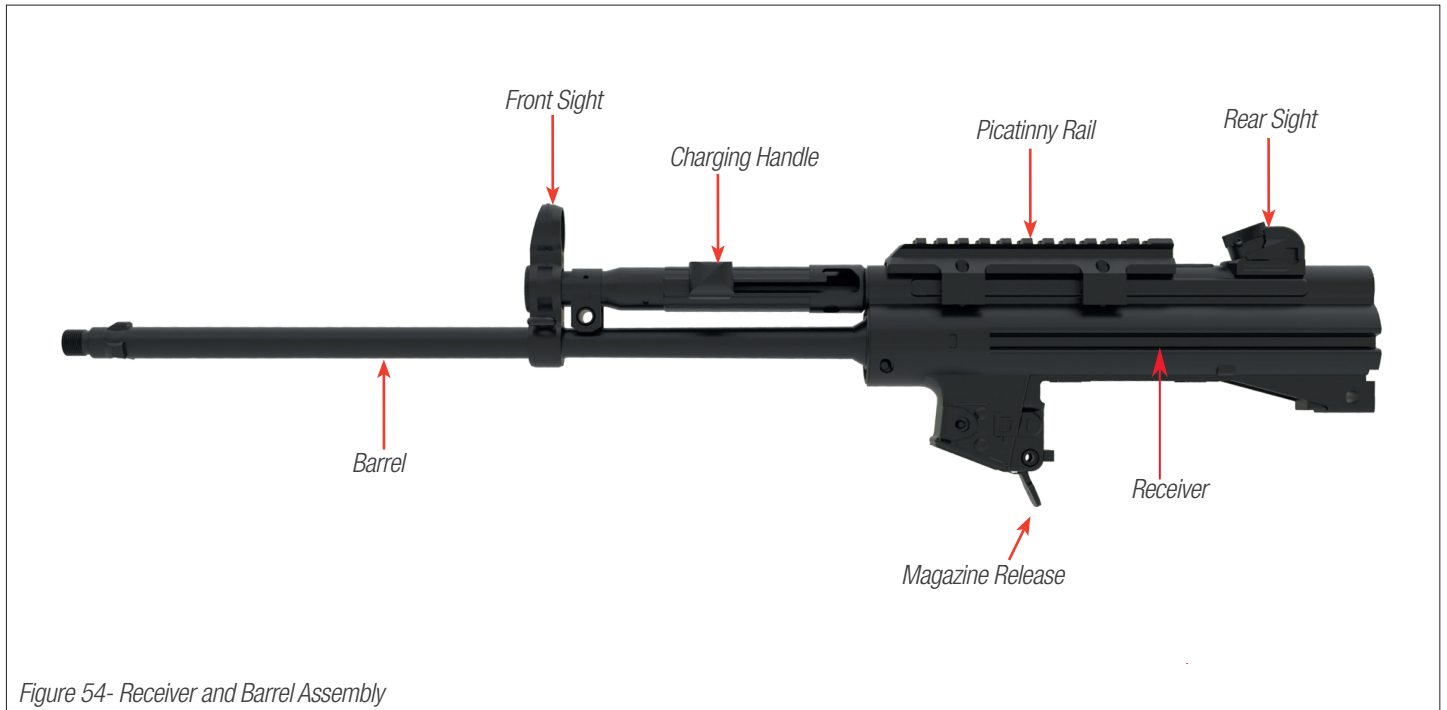


Figure 54- Receiver and Barrel Assembly

Barrel, charging (cocking) handle, Picatinny rail, and both sights are attached to the receiver. The muzzle has a 3-lug quick detach system for muzzle brake or suppressor and has a 1/2x28 threaded end for alternate suppressor attachment.

The barrel is attached to the trunnion with a barrel retention pin (not removable). The charging handle is located above the barrel and is used to load a round and can be used to lock the bolt back to put the firearm in a safe condition.

The front sight is a fixed blade in a protected ring, and the rear sight is a protected drum, adjustable for windage and elevation. This drum has four apertures corresponding to various elevations and rear sight widths.

The Picatinny rail is attached to the receiver by way of four socket head cap screws and wedge-nuts.

2. Bolt Carrier Assembly

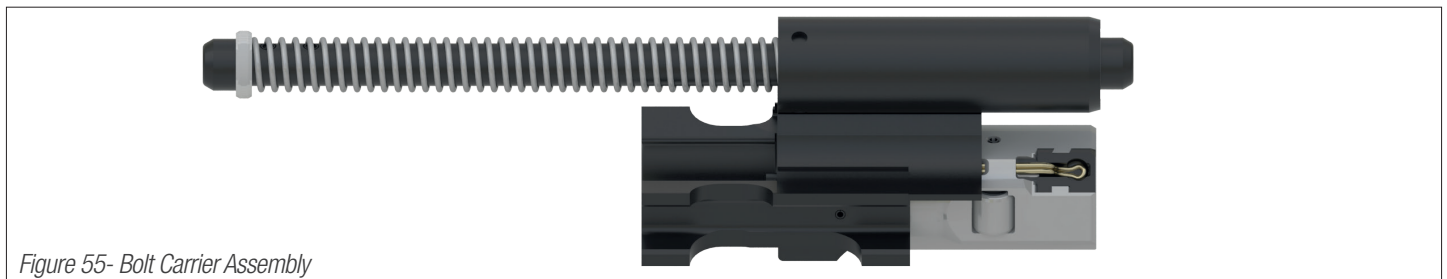
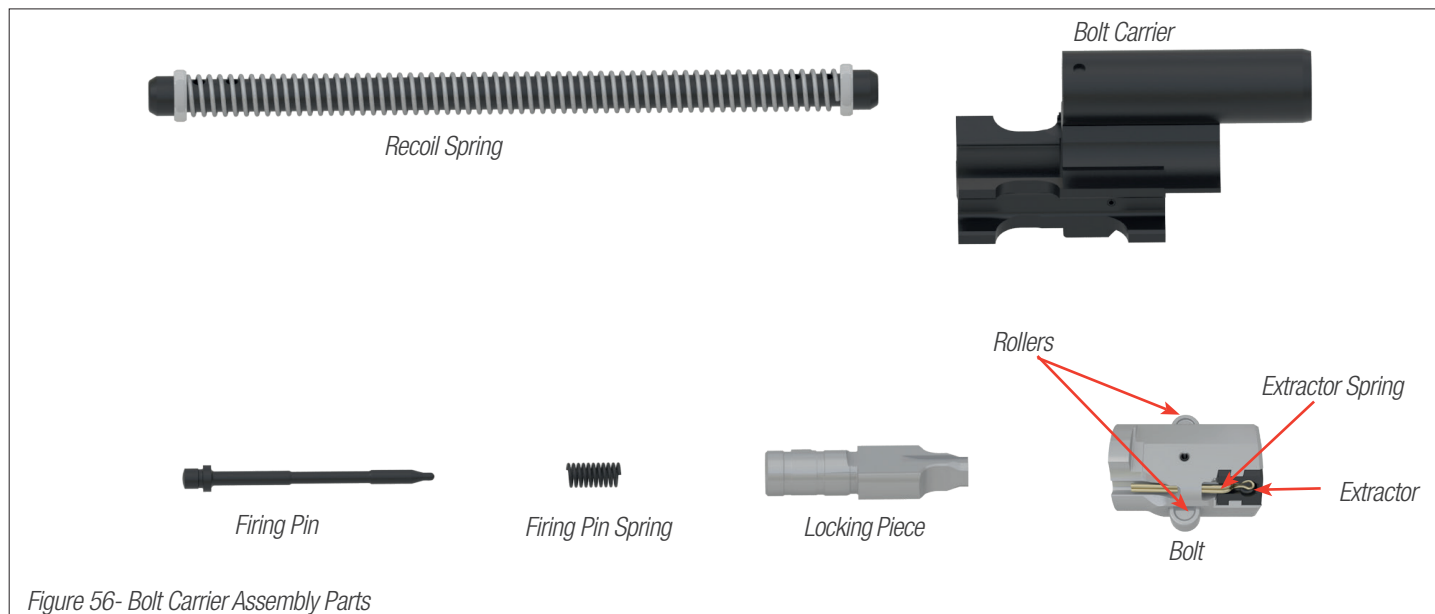


Figure 55- Bolt Carrier Assembly

The bolt carrier assembly slides into the receiver and retains the recoil spring. The bolt carrier assembly contains the bolt assembly and is moved forward under spring pressure. The bolt strips a round from the magazine feeding and chambering the next round, engages the rollers to lock the bolt, releases the firing pin to fire the weapon, and then moves rearward to eject the spent casing and re-cock the firing pin.

Bolt Carrier Assembly contains the following parts:

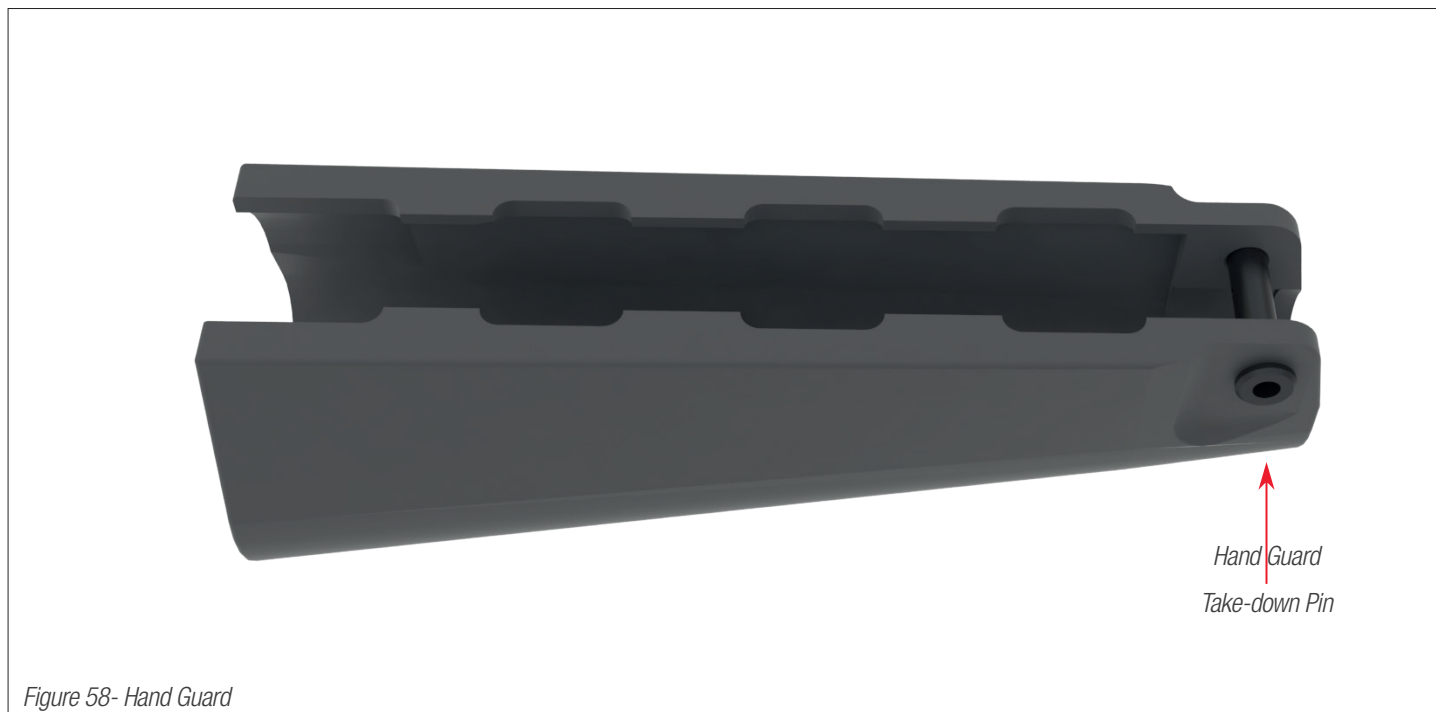


3. Trigger Housing and Buttstock



The trigger housing and buttstock are permanently connected in the sportorized version. Do not attempt to disassemble these two-piece assembly. This two-piece assembly is held in place by two take-down pins that can be fully removed by sliding them out. Both pins can be temporarily stored in the two holes towards the rear of the buttstock. The trigger housing forms the pistol grip and contains the trigger pack and its associated parts, such as the hammer, trigger, and sears. It is recommended that a certified armorer initiate disassembly of the trigger pack.

4. Hand Guard



The hand guard is attached under the barrel to the receiver and held in place by a pin. The hand guard protects the shooter from the heat of the barrel. There are several different hand guard options.

5. Magazine Assembly



The metal magazine assembly holds 10 rounds.

Magazine contains the following parts:

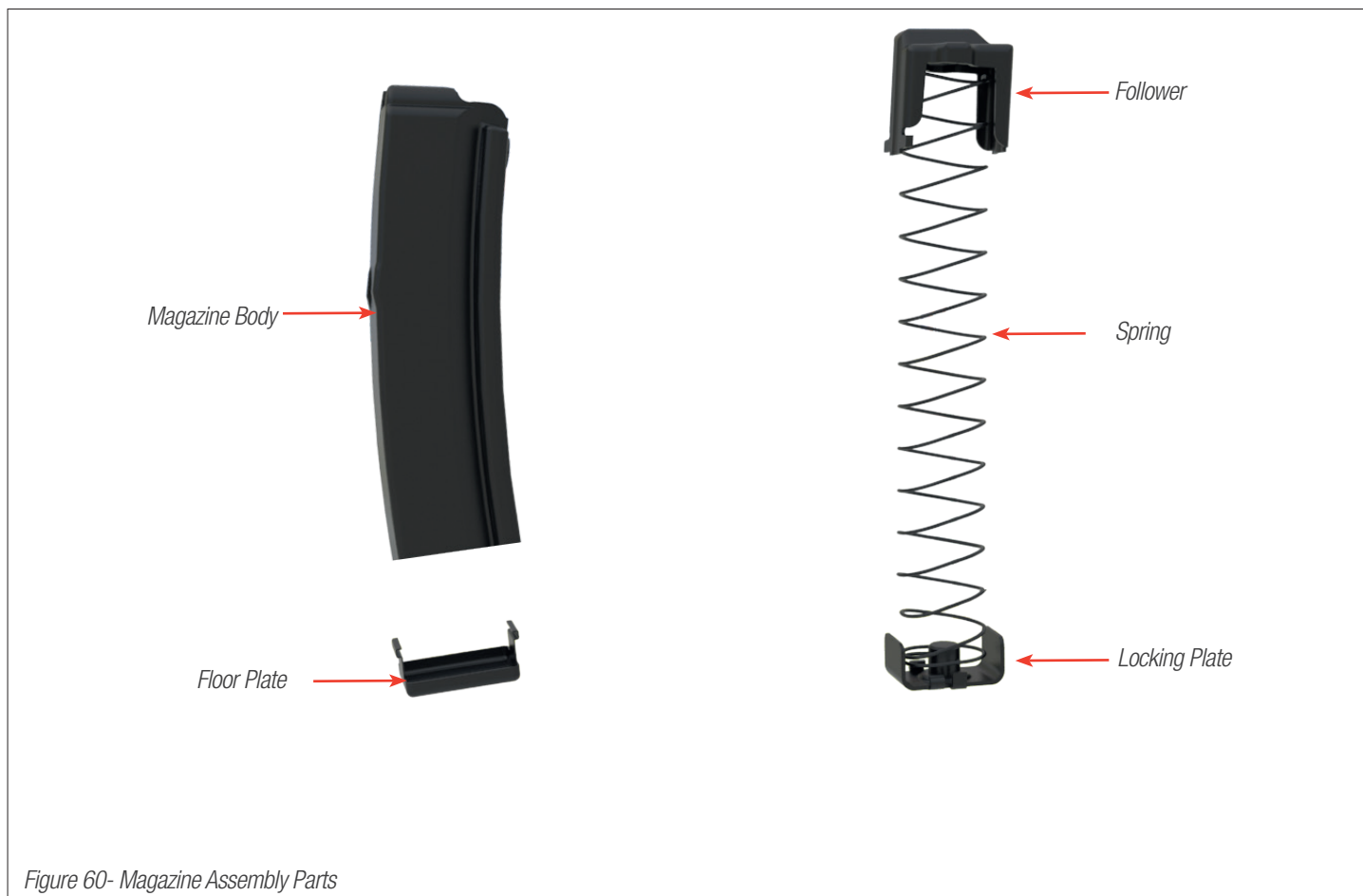


Figure 60- Magazine Assembly Parts

6. Picatinny Rail

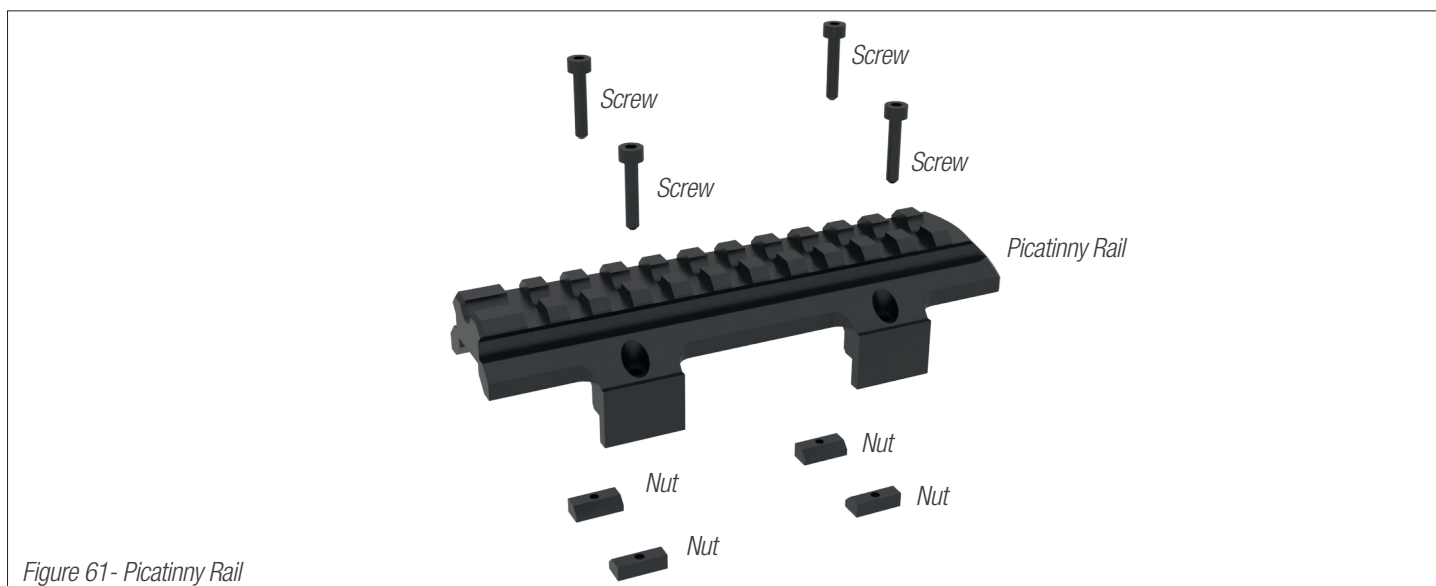


Figure 61- Picatinny Rail

The Picatinny rail is manufactured to the MIL-STD-1913 and is attached to the top of the receiver by way of four socket head cap screws and four wedge-nuts that hold it firmly in place. This is used for quick connection of optics.

Z-5 RIFLE DISASSEMBLY PROCEDURES

1. Magazine Removal



Press the magazine release button or paddle (see image a). Remove the magazine by pulling downward (see image b).

2. Trigger Housing and Buttstock Removal



b. Remove the two take-down pins from the firearm.



c. Slide the trigger housing and buttstock assembly.

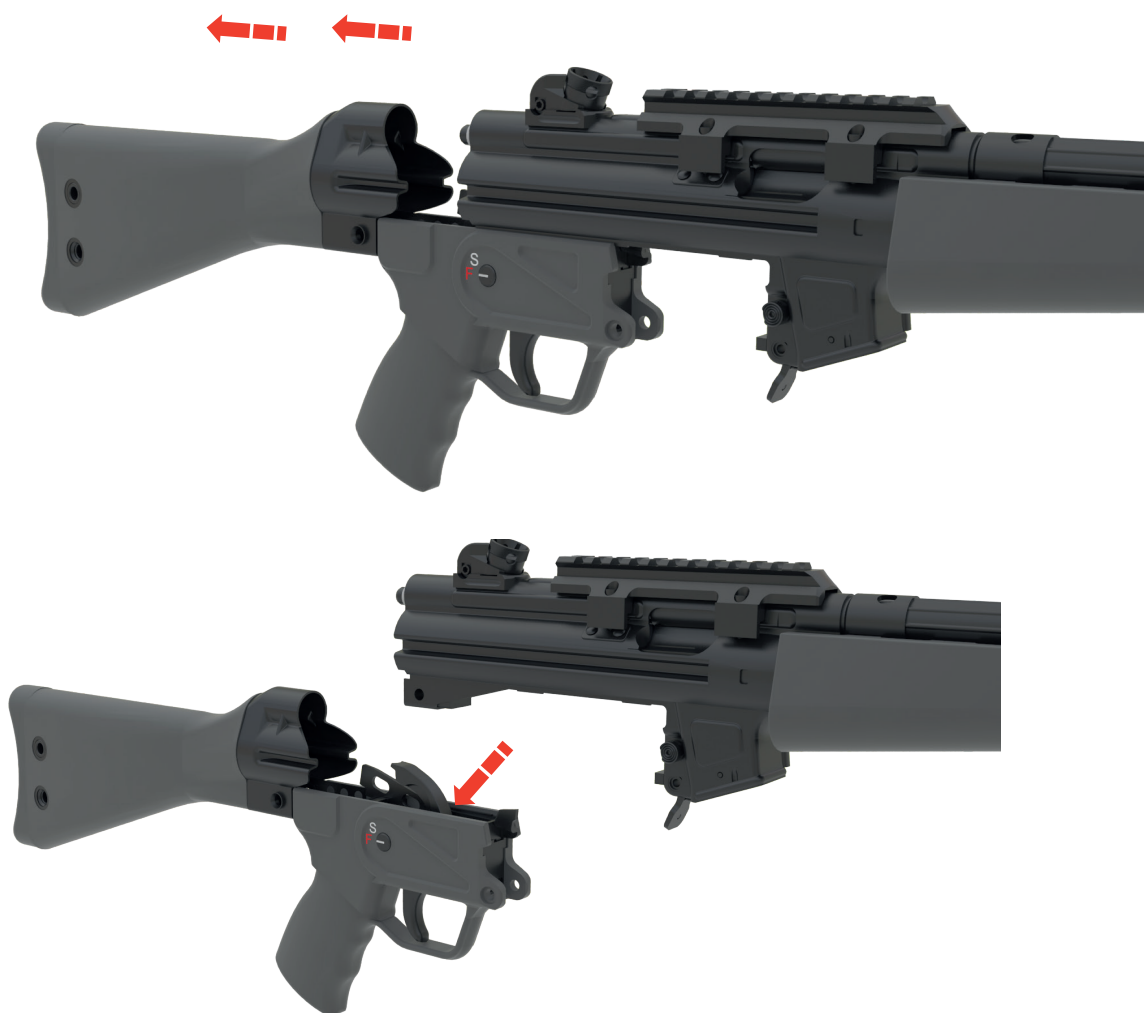
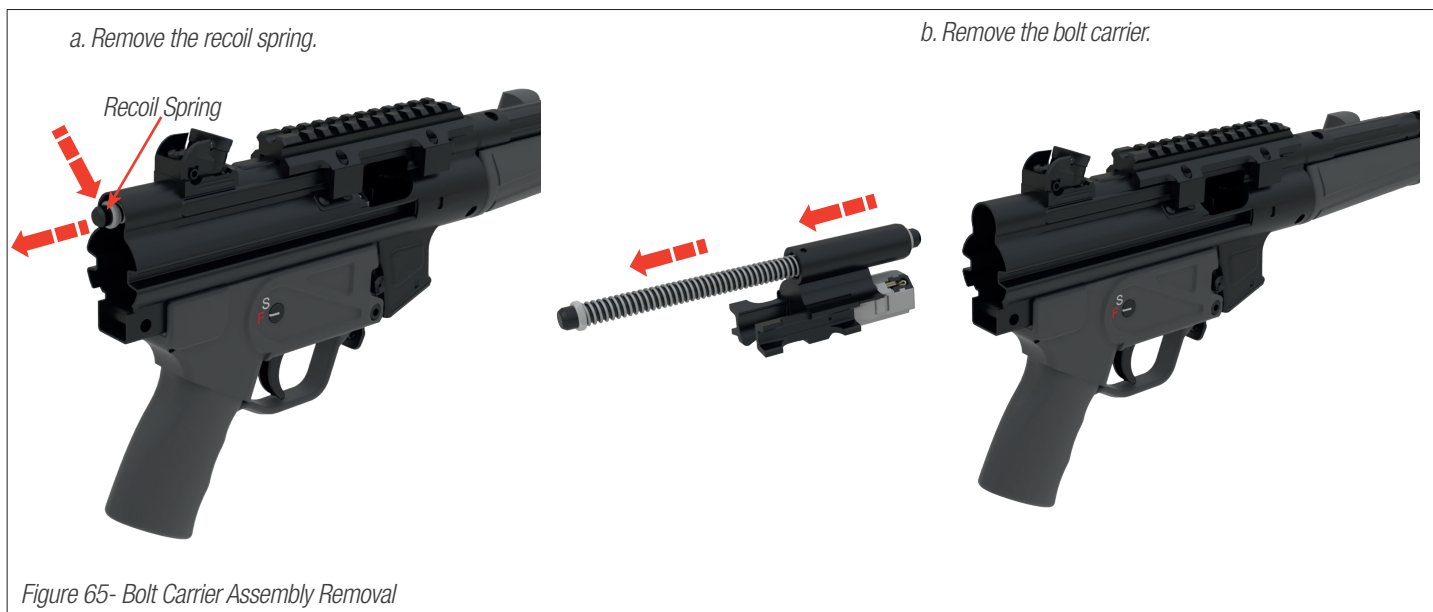


Figure 64- Trigger Housing and Buttstock Removal

Push the pins inward (see image a). On the other side of the firearm, pull the two take-down pins clear and insert in the two holes of the buttstock for temporary storage (see image b). Slide the trigger housing and buttstock assembly rearward and downward until separated (see image c).

3. Bolt Carrier Assembly Removal

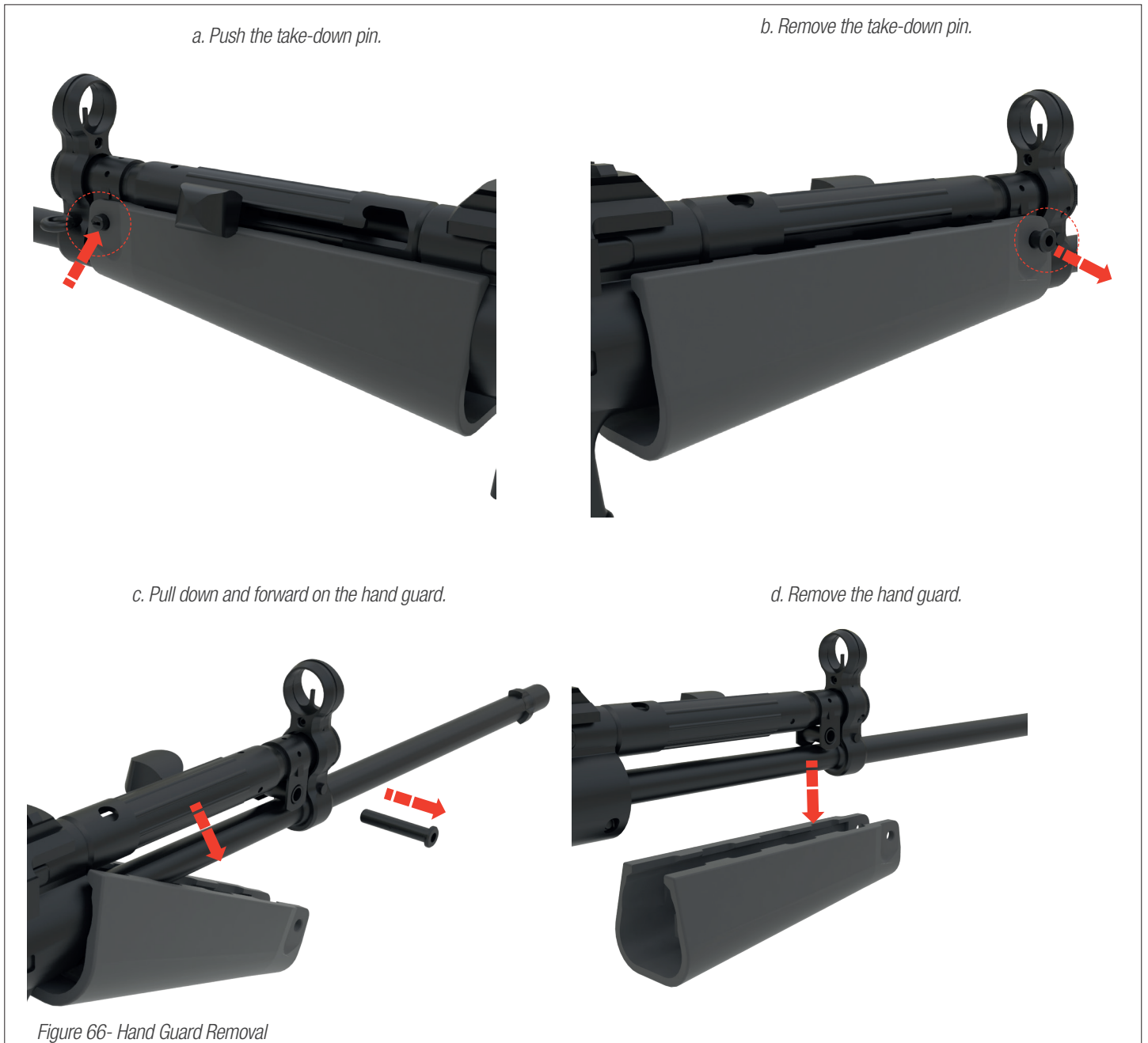


After the removal of the butt cap, the bolt carrier assembly is loose inside the receiver. To remove the bolt carrier assembly gently pull back the charging handle until the recoil spring is projecting from the receiver (see image a). Pull the recoil spring and remove the bolt carrier (see image b). NOTE: It is not necessary to separate the recoil spring from the bolt carrier for cleaning.



CAUTION: DO NOT USE EXCESSIVE FORCE WHEN DISASSEMBLING, ASSEMBLING OR CLEANING THE FIREARM.

4. Hand Guard Removal



Push the take-down pin inward (see image a). Remove the take-down pin from the rifle (see image b). Pull down and forward on the hand guard and the hand guard will slide off of the receiver (see image c and d).

Z-5 RIFLE REASSEMBLY

Reassemble the rifle in reverse order of disassembly.



Z-5 SERIES RIFLE & PISTOL OPERATION

The following procedures apply to the Z-5P pistol, the Z-5K pistol, the Z-5RS pistol and the Z-5 rifle.

Safe and Fire Selector Operation

1. Selecting the Firearm to Safe



Figure 67- Selecting the Firearm to Safe

To place the firearm in safe, flip the safety lever, located on the left side of the trigger housing, up to "S" (safe). This will lock the trigger and the firearm cannot be fired.

2. Selecting the Firearm to Semi-Auto Fire



Figure 68- Selecting the Firearm to Semi-Auto Fire

To place the firearm on fire, flip the safety lever, located on the left side of the trigger housing, down to "F" (fire) or "1" (1 round). This will select semi-auto fire mode, where one pull of the trigger will fire one round and reload the next round.

Loading and Unloading the Magazine

a. Push one round at a time, with bullet tip forward, straight down onto the follower.



b. Allow each additional round to offset as they stagger filling the magazine.



c. To unload, slide each round forward out of the magazine.



Figure 69- Loading and Unloading the Magazine

1. Loading the Magazine

Firmly grasp the magazine in the weak hand while using the thumb of the strong hand to push the first round between the lips of the magazine onto the follower. Use your thumb to push each additional round straight down, allowing the rounds to stagger as it fills. Ensure the rounds face forward toward the front of the magazine. Do not overload the magazine's capacity.

2. Unloading the Magazine

Firmly grasp the magazine in the weak hand while using the thumb of the strong hand to push the first round forward out from under the lips of the magazine. Continue to use your thumb to push each additional round straight out. Do not attempt to pull the rounds straight up to remove them.



WARNING: NEVER USE DAMAGED OR INCOMPATIBLE AMMUNITION!



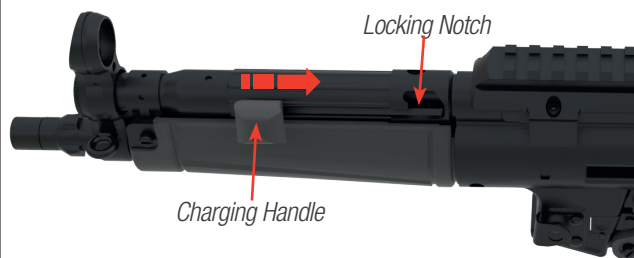
WARNING: NEVER USE ANY ITEM THAT COULD INADVERTENTLY STRIKE THE PRIMER TO REMOVE CARTRIDGES WHEN UNLOADING A MAGAZINE.

Loading the Firearm

a. Ensure the firearm is selected to safe "S".

b. Pull the charging (cocking) handle rearward.

c. Engage charging handle into locking notch.



d. Insert the magazine into the magazine well until it locks in place.

e. While holding the firearm in your strong hand, use the weak hand palm to strike the charging handle downward, disengaging it and allowing it to fly forward.



Figure 70- Loading the Firearm

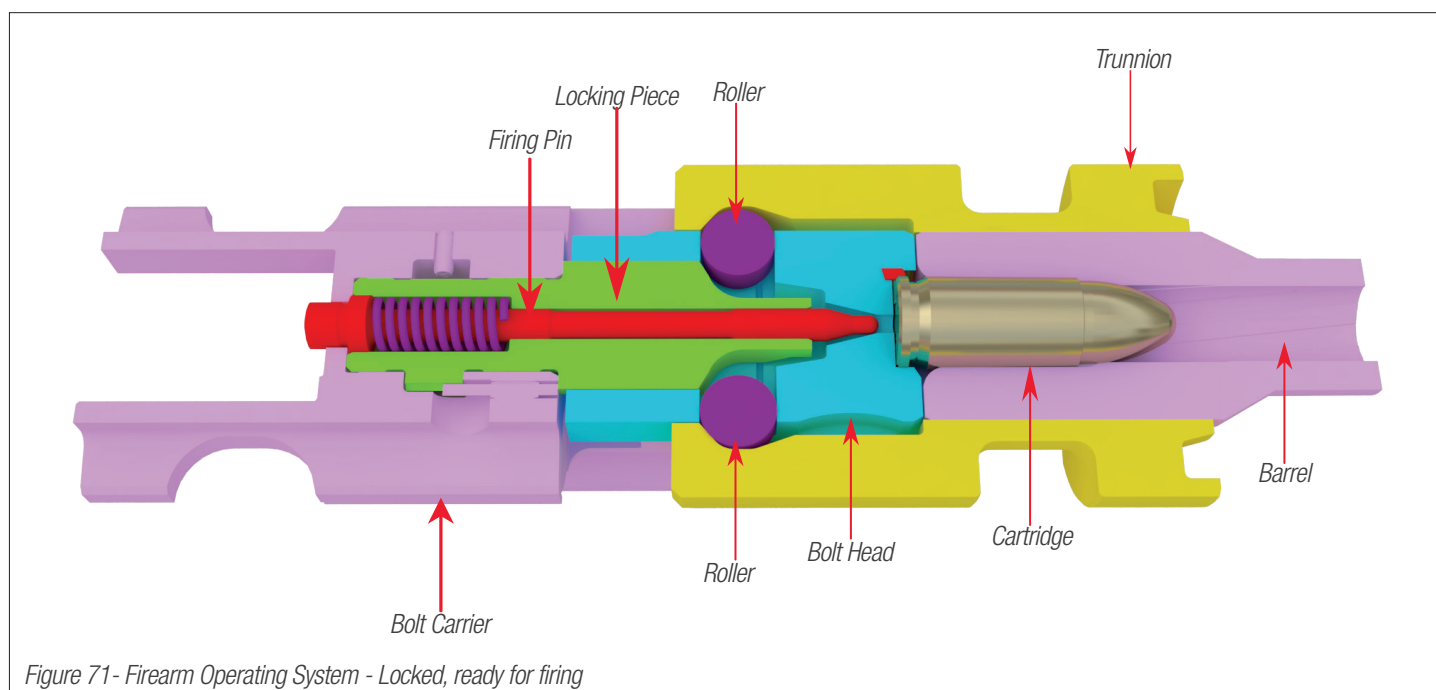
Ensure the firearm safety "S" is in "safe" position. While holding the pistol grip in the strong hand, use the weak hand palm to pull the charging (cocking) handle rearward (see image b). While still holding the charging handle, pull up and engage into the locking notch (see image c). Using your weak hand insert a loaded magazine into the magazine well, tugging on it to ensure it is locked (see image d). While holding the firearm in your strong hand, use the weak hand palm to strike the charging handle downward, disengaging it and allowing it to move freely forward (see image e). The firearm is now loaded and ready to fire. Moving the selector switch to fire will enable semi-auto fire.



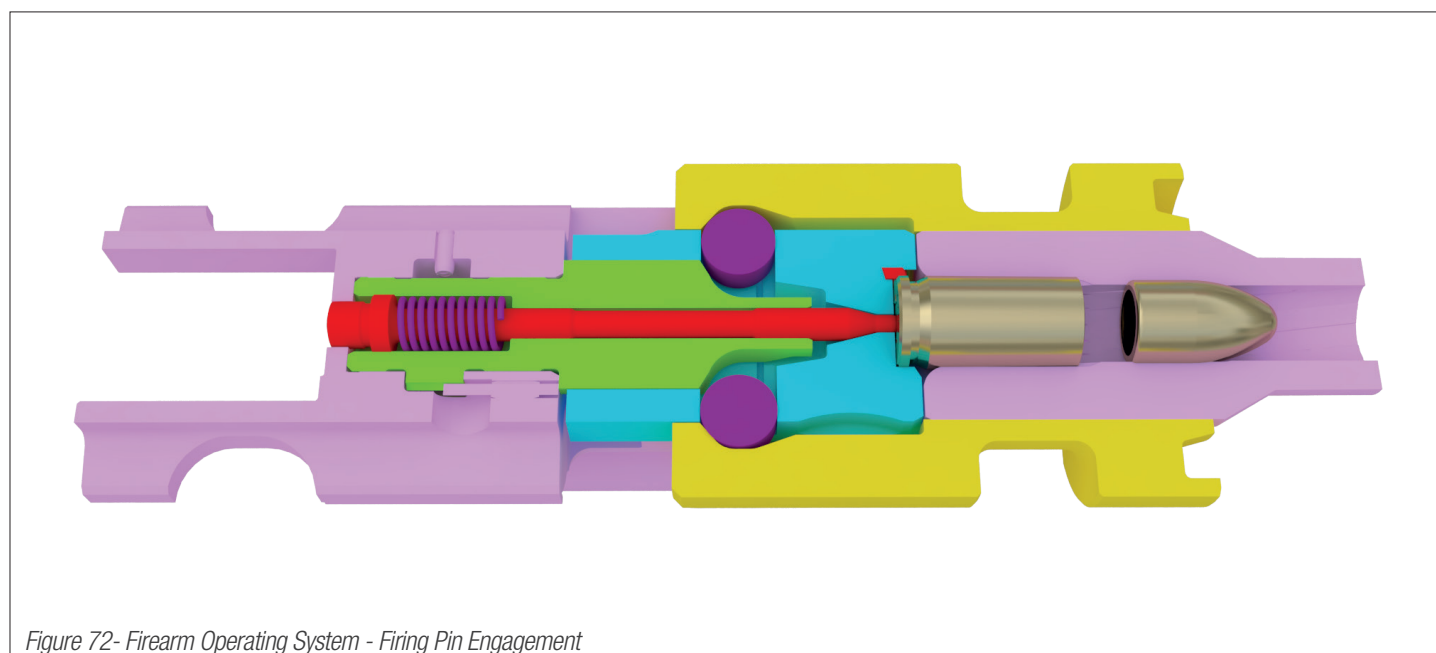
CAUTION: WHEN RELEASING THE CHARGING HANDLE, BE SURE TO AVOID PINCHING HAZARDS AS IT IS UNDER PRESSURE FROM THE RECOIL SPRING. IT IS IMPORTANT TO ALLOW THE CHARGING HANDLE TO MOVE FREELY FORWARD UNDER SPRING TENSION. DO NOT ATTEMPT TO EASE THE CHARGING HANDLE FORWARD AS THIS MAY CAUSE A MISFEED.

Firearm Operating System

Before firing, the bolt carrier and bolt are temporarily locked into the trunnion as the rollers are engaged by the locking piece. The trunnion is welded to the upper receiver stabilizing the barrel. The bolt remains locked until the bullet leaves the barrel and the pressure drops. At that point the rollers disengage and the bolt carrier begins to move rearward by the force of the recoil.



In Figure 70, the system is locked and ready for firing.



When the trigger is pulled, the firing pin is engaged by the hammer, striking the primer and initiating the burning of the powder, forcing the bullet down the barrel. At this time the lands and grooves of the barrel impart a spin to the bullet to stabilize it in flight. Gas is allowed to move around the cartridge case by way of flutes in the chamber, allowing the rollers to unlock and the case to move rearward against the bolt head.

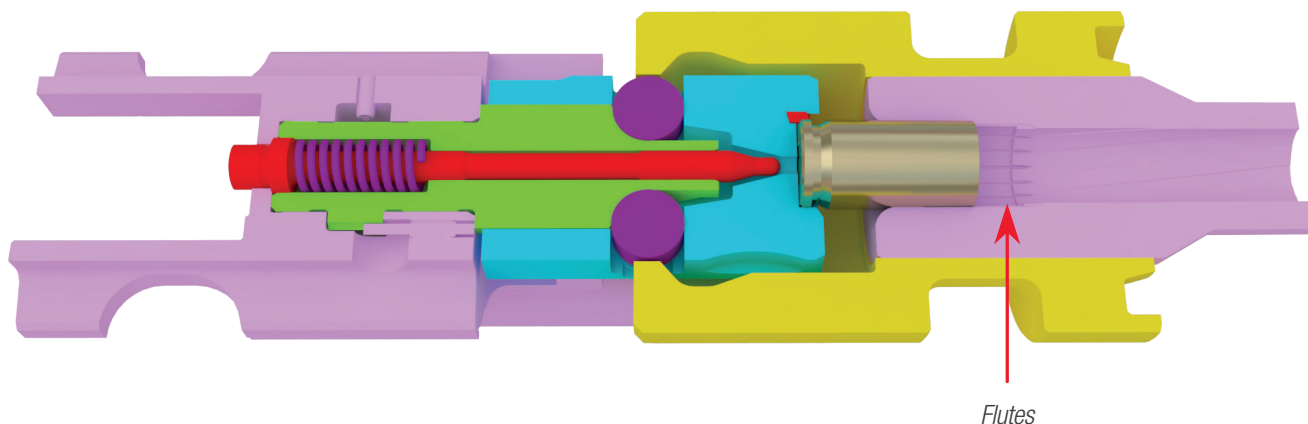


Figure 73- Firearm Operating System - Extraction

Once the bullet has left the barrel, the pressure drops allowing the rollers to disengage the locking piece and the bolt carrier moves rearward. Once the bolt carrier moves rearward 5 mm, the bolt unlocks. As it continues to move rearward the recoil spring is compressed, the casing is extracted by the extractor and ejected by the ejector as the bolt moves past the ejection port. The hammer is cocked and the recoil spring and buffer limits rearward movement. The bolt carrier moves forward powered by the recoil spring and strips the next cartridge and feeds it into the chamber.

Trigger Operating System

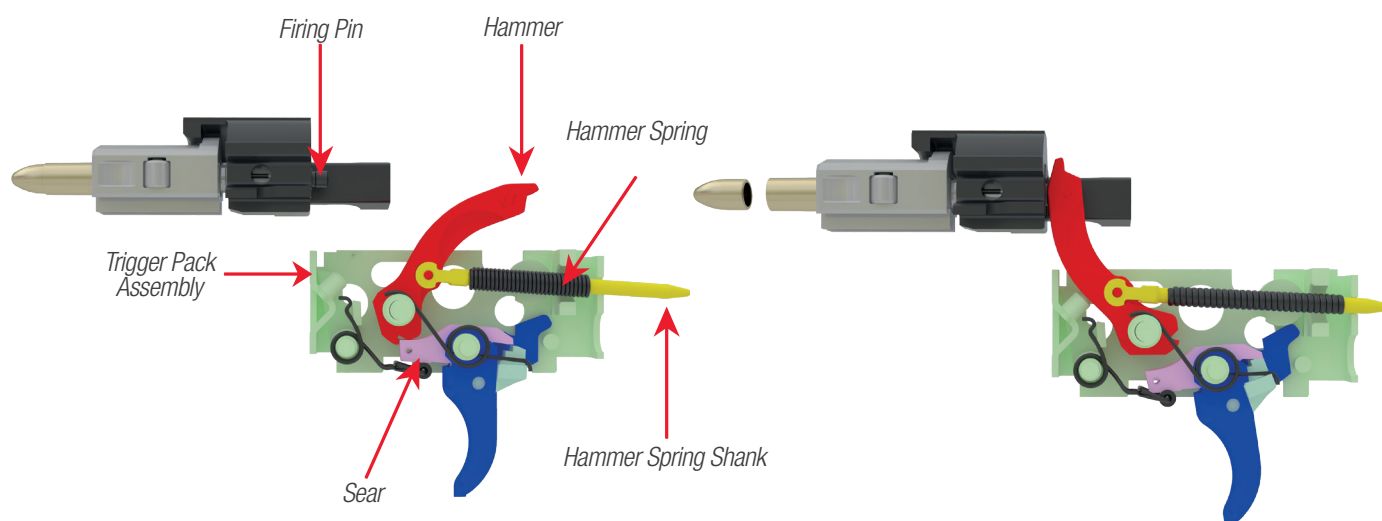


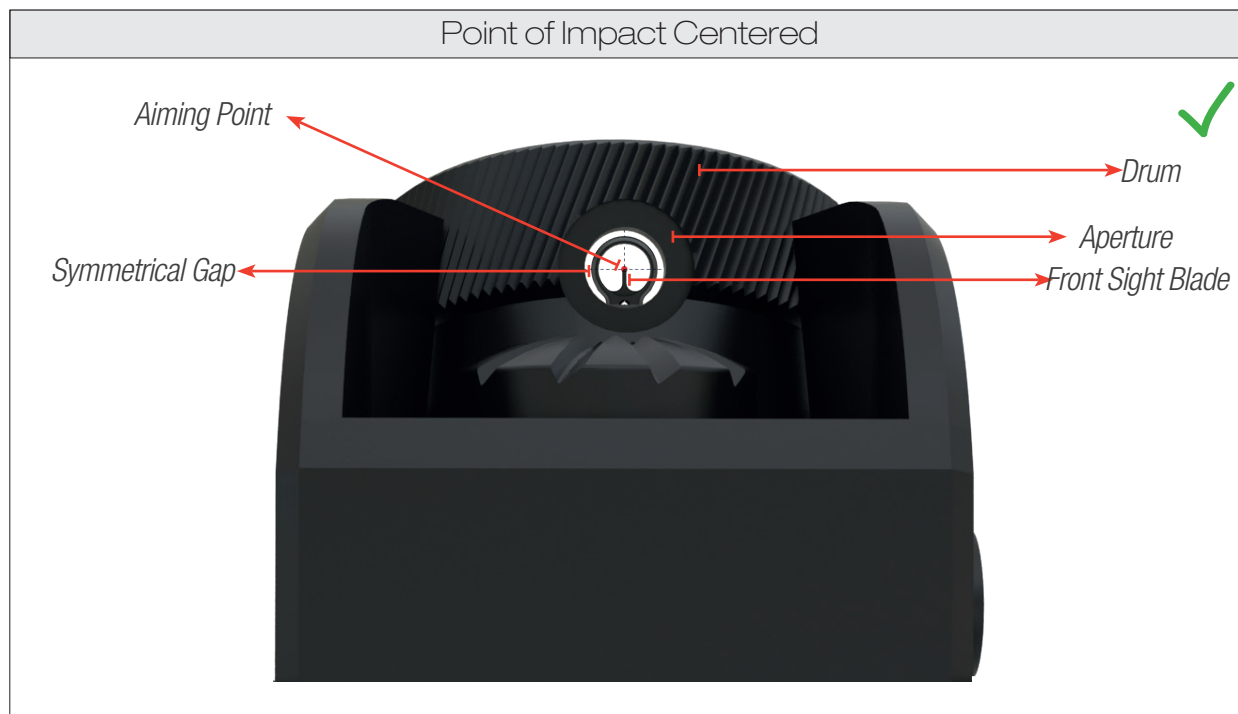
Figure 74- Trigger Operating System

The hammer spring is compressed and the hammer is held back by the sear. When the trigger is pulled, the sear is moved and the hammer is allowed to move forward, striking the rear of the firing pin with force. The firing pin strikes and ignites the primer and the round is fired beginning the process again.

Z-5 RIFLE & Z-5RS PISTOL SIGHTS

Using the Sights

The rear sight has four apertures to allow a wider or deeper rear sight picture to allow varying preselected aiming points.

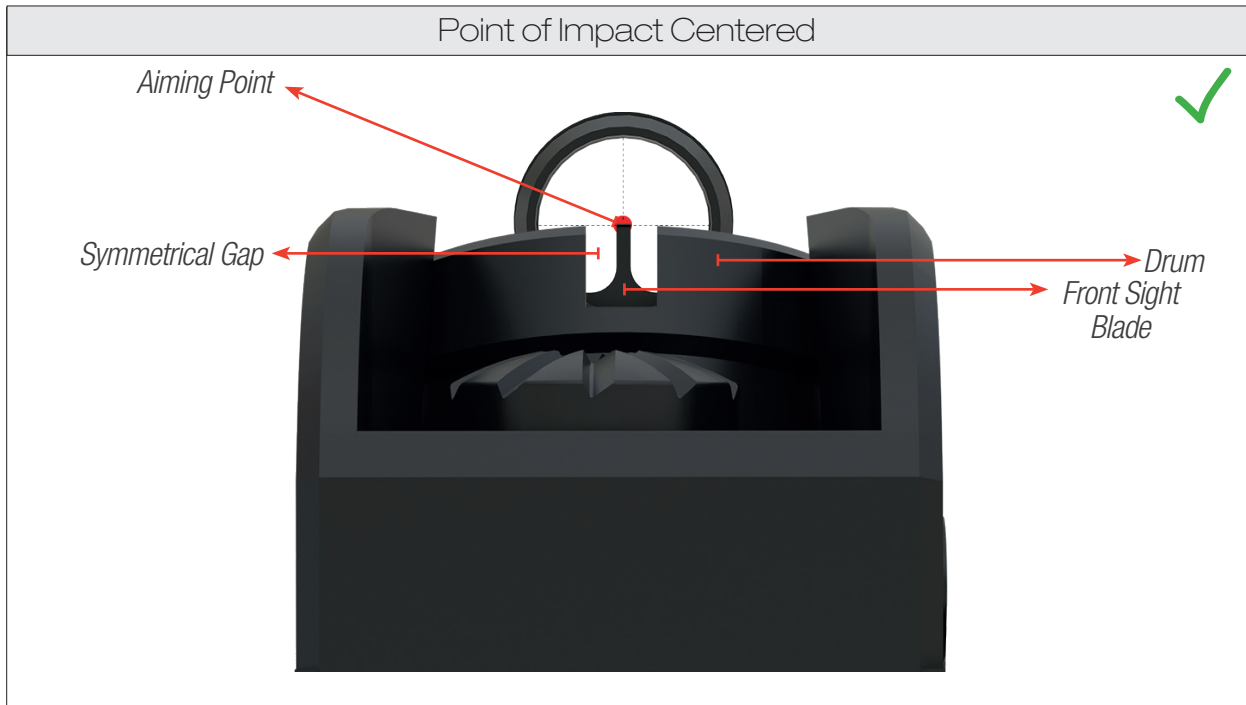




Z-5P PISTOL & Z-5K PISTOL SIGHTS

Using the Sights

The rear sight has four notches to allow a wider or deeper rear sight picture to allow varying preselected aiming points.



REAR SIGHT ADJUSTMENTS

Z-5 Series Rifles & Pistols are zeroed after production. If the sight requires adjustment for elevation or windage, this is done in the following manner.

Windage Adjustment

To adjust the windage to the left, loosen the locking screw and gently turn the adjustment counter-clockwise. To adjust the windage to the right, loosen the locking screw and gently turn the adjustment clockwise. One quarter turn (one click) equals approximately 0.5 inches change in elevation or windage at 25 yards.



Figure 75- Windage Adjustment

Elevation Adjustment

Elevation adjustment is made by use of an elevation adjustment tool. The elevation adjustment tool engages in the notches on the inside of the drum sight. All adjustments should be made with the rear drum placed on the #1. Turning the drum clockwise will lower the bullet's point of impact. Turning the drum counter-clockwise will raise the bullet's point of impact. One quarter turn (one click) equals approximately 0.5 inches change in elevation or windage at 25 yards.

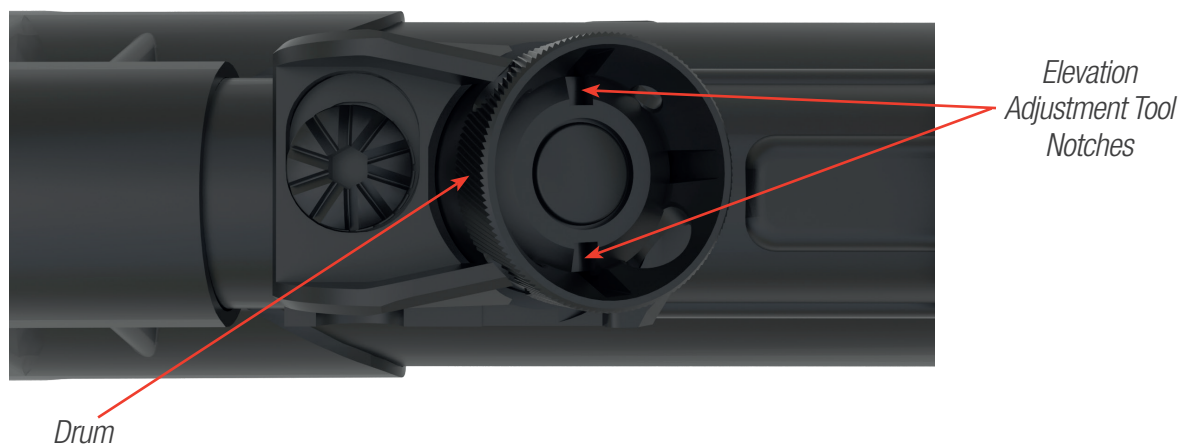


Figure 76- Elevation Adjustment



CAUTION: IT IS RECOMMENDED TO USE A SIGHT ADJUSTMENT TOOL FOR ADJUSTING ELEVATION.



FIREARM MAINTENANCE

Regular Maintenance

Always be aware of the overall operation of your firearm. Ensure the charging handle, safety selector, magazine insertion, etc. are in proper operating condition. If any strong resistance or odd tolerances are noted, investigate. In general keep your firearm clean and lubricated. When your firearm is disassembled, inspect for rust, corrosion, and build up of any residues that will affect operation. A function check should be performed. This entails ensuring the safety does not allow the trigger to be pulled.

Prior to Use

Perform a regular maintenance and function check prior to use. Pay special attention to ensure there are no obstructions or mechanical situations that need to be addressed.

After Each Use

After each firing session, the firearm should be unloaded, checked for clear, and field stripped. The firearm should then be cleaned, re-lubricated, and subjected a function check prior to storing.

Extreme Climate Maintenance

High Heat and Humid/Wet Conditions

In climates with high heat and humidity the firearm, and especially its internal components, can rust more quickly. Inspect your firearm more often and never leave components without lubrication. If any rust or corrosion is located, clean it off and re-lubricate immediately.

High Heat and/or Low Humidity/Dry Conditions

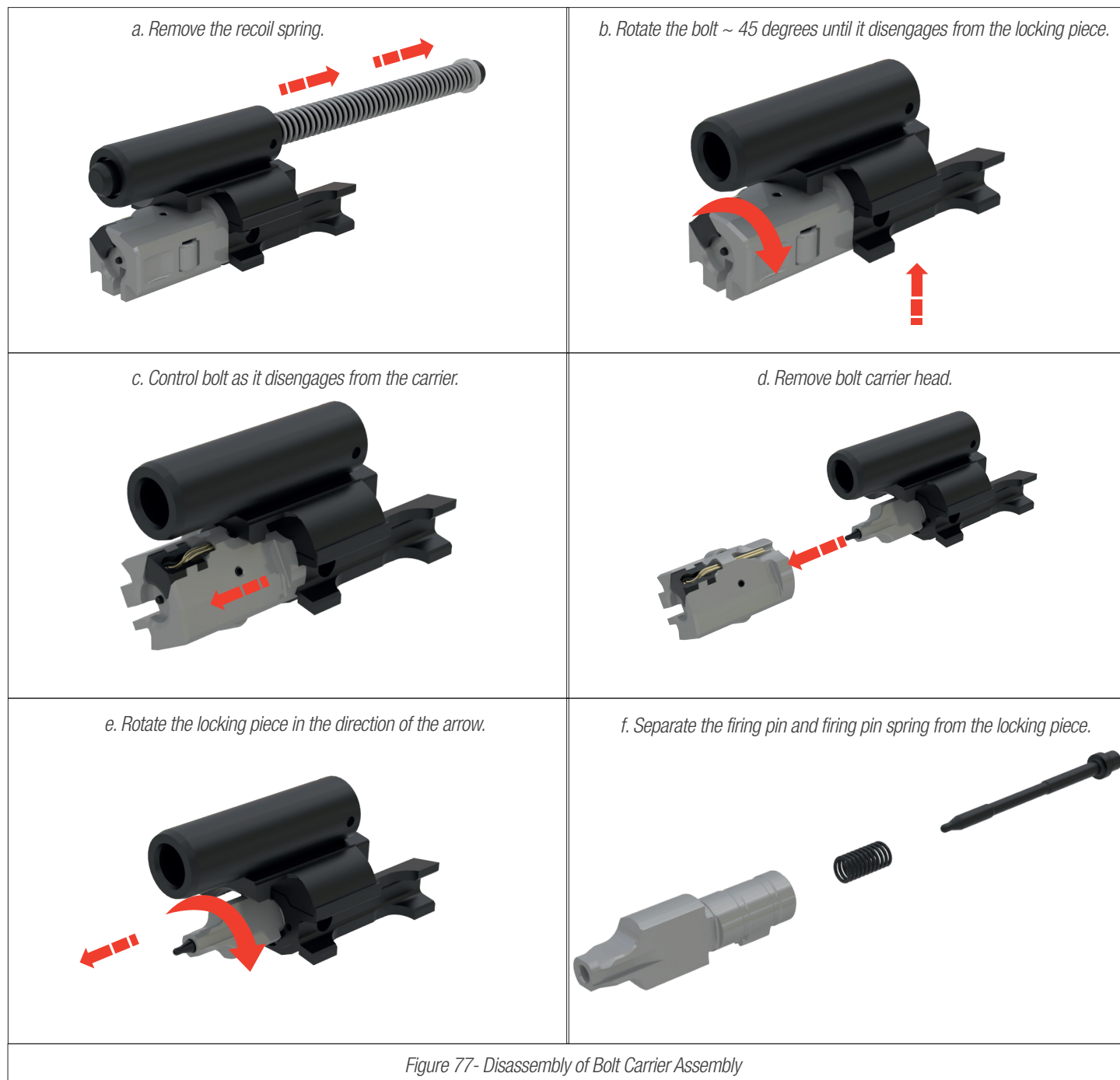
In climates with high heat and/or low humidity, firearms are less likely to rust, however, lubrication can evaporate and dirt, sand, and other contaminants can find their way into the operation. This will cause faster wear and abrasion of the internal components. Use a thinner oil and wipe all excess oil after cleaning, as excess oil will attract and hold dirt.

Extreme Cold Conditions

In climates with extreme cold and/or low humidity, the lubricating oils used should be selected specifically for this environment. Sudden temperature changes can cause moisture build-up inside the firearm leading to corrosion. For this reason attention must be paid for condensation both inside and out. Care must be taken to not place a hot, recently fired firearm in snow or ice as it could damage or deform metal surfaces. And upon transitioning from a cold environment to a warm environment condensation will occur and must be addressed with drying and lubrication.

Disassembly and Maintenance of Bolt Carrier Assembly

Disassembly of Bolt Carrier Assembly





Remove recoil spring from the bolt carrier (image a). Turn the bolt carrier head ~ 45 degrees in the direction of the arrow (image b). Turn the locking lever ~ 45 degrees in the direction of the arrow until its released from the canal on top of the bolt carrier, then remove the locking lever, the firing pin spring and the firing pin (image c)

Maintenance of Bolt Carrier

Once disassembled the bolt carrier should be cleaned to remove all carbon and unburned powder. Solvent and a brush may be used. After cleaning, a light coat of lubricant should be applied to all surfaces. Reassemble in reverse order from disassembly. To avoid difficulty in reassembly, care should be taken as to the direction of locking lever and bolt carrier head installation.

Trigger Pack Removal and Maintenance

Trigger Housing Removal

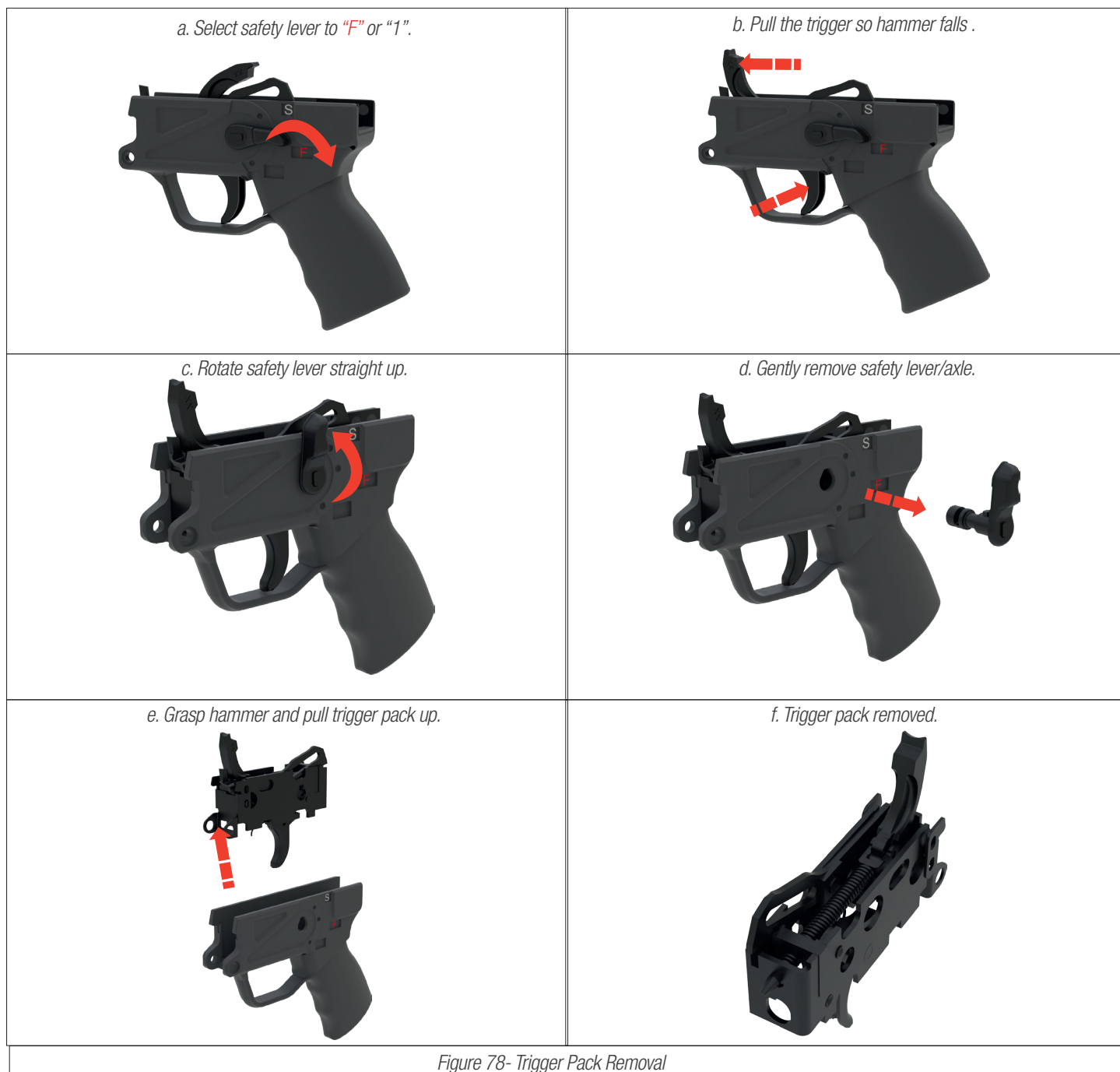


Figure 78- Trigger Pack Removal

Select safety lever to "F" or "1" (see image a). Pull the trigger so the hammer falls (see image b), however, use the off hand to slow the fall of the hammer. Rotate safety lever straight up (see image c). Gently remove safety lever/axle (see image d). Grasp hammer and pull trigger pack up (see image e).

Trigger Pack Maintenance

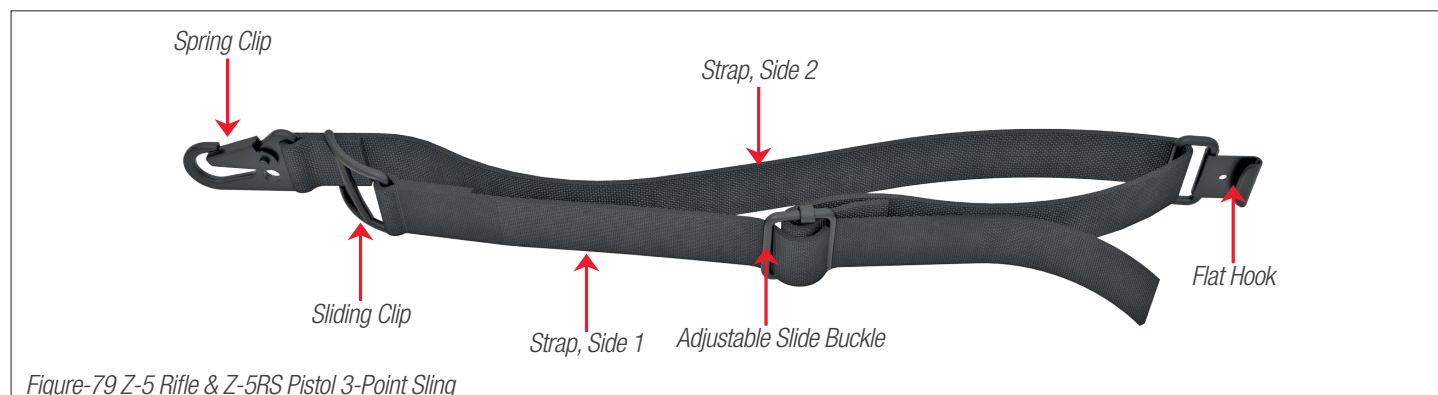
The trigger pack can be removed during regular cleaning. Once removed, inspect for dirt, sand, unburned powder or any other debris. Any debris can be removed by brush or compressed air. It is recommended that a certified armorer initiate disassembly of the trigger pack.

Z-5 RIFLE & Z-5RS PISTOL SLING

3-Point Sling

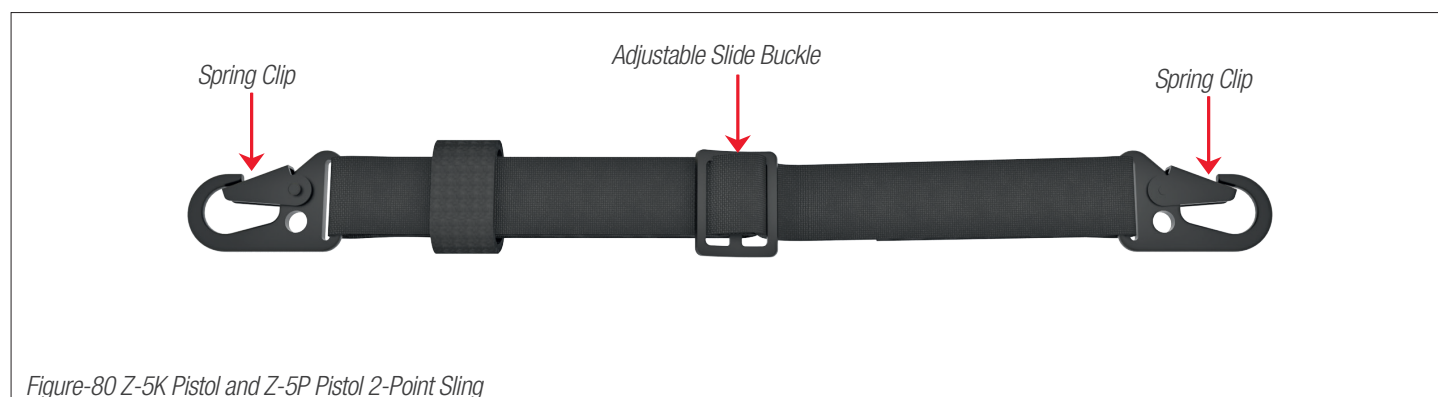
The 3-point sling is design to facilitate across the back carry and rapid deployment. The length of the sling is adjustable by way of the slide buckle.

The spring clip is attached to the front of the firearm and the flat hook clip is attached to the buttstock. Strap side 1 crosses the back and strap side two crosses the chest. The adjustable slide buckle is on the back. The sliding clip hooks into the holder on the left side of the magazine.



Z-5K PISTOL & Z-5P PISTOL SLING

2-Point Sling





TROUBLESHOOTING

NO.	ISSUE	PROBABLE CAUSE	CORRECTIVE ACTION
1	Failure to fire	Firing pin broken Firing pin tip worn Firing pin spring broken Faulty ammunition Bolt carrier not in battery Damage/obstruction in trigger pack	Replace firing pin Replace firing pin Replace firing pin spring Replace ammunition Recharge firearm Repair trigger pack
2	Failure to extract	Extractor broken Extractor spring broken Bolt face has obstruction	Replace extractor Replace extractor spring Clean bolt face
3	Failure to eject	Ejector broken	Replace ejector
4	Failure to feed	Magazine not fully seated Magazine catch not engaged Magazine lips deformed Obstruction of charging handle movement Faulty ammunition	Fully insert magazine until it locks Inspect magazine latch button and paddle Replace magazine Ensure charging handle moves freely Replace ammunition.
5	Failure to chamber	Bolt face has obstruction Obstruction in trunnion/chamber Faulty ammunition Weak recoil spring	Clean bolt face Clean trunnion/chamber Replace ammunition Replace recoil spring
6	Failure to go into battery	Obstruction in trunnion/chamber Faulty ammunition Damaged bolt assembly Bolt face has obstruction Weak recoil spring	Clean trunnion/chamber Replace ammunition Repair bolt assembly Clean bolt face Replace recoil spring



CAUTION: IF ABOVE CORRECTIVE ACTIONS DO NOT REMEDY ISSUE, PLEASE SEEK ASSISTANCE FROM QUALIFIED GUNSMITH OR ARMORER BEFORE CONTACTING ZENITH FIREARMS.



Zenith Firearms

10517 Critzer Shop Road • Afton, VA 22920 • 434.202.7790

info@zenithfirearms.com • www.zenithfirearms.com