



WARNING!

Please read this owner's manual before taking your new DIAMONDBACK FIREARMS product out of the box. It is vital to your safety and the safety of others that you understand and adhere to the information contained in this manual, as well as information supplied by the manufacturer of the ammunition. If you have any questions, please call or write to:

DIAMONDBACK FIREARMS, LLC
3400 Grissom Pkwy. Cocoa, FL 32926
877.997.6774

DIAMONDBACK

FIREARMS



Safety and Handling Instructions

CONTENTS

INTRODUCTION	1
SAFETY INFORMATION	2
DB380 PARTS LIST	6
DB9 PARTS LIST	9
DBAM2 PARTS LIST	10
LOADING AND FIRING DB380/DB9	12
UNLOADING	14
SIGHT ADJUSTMENT	15
FIELD STRIPPING	16
LUBRICATION	17
MAINTENANCE	18
LOADING AND FIRING DBAM29	20
UNLOADING	22
SIGHT ADJUSTMENT	23
COCKED STRIKER INDICATOR	24
TRIGGER SAFETY	25
FIELD STRIPPING	26
LUBRICATION	27
MAINTENANCE	28
SERVICE	30
TROUBLESHOOTING	31
LIMITED LIFETIME WARRANTY	32
NOTES	35

INTRODUCTION

You are now the owner of a DIAMONDBACK FIREARMS pistol. With proper maintenance and care, it will serve you for many years to come.

To ensure the best performance from your pistol, please read and follow the instructions in this manual. Firearms are inherently dangerous and great emphasis should be placed on the need for safety. Always remember that you, as the owner, are the ultimate safety device.

You should become familiar with your pistol and its operation before using any live ammunition or actual firing. Study the instructions carefully and make sure you understand the firearm's operational guidelines.

This manual provides the necessary information you need to know in order to use your pistol safely and effectively. Should you have any questions or comments about this pistol or its use and maintenance, or if you need more information about other DIAMONDBACK FIREARMS products and accessories, please write or call:

DIAMONDBACK FIREARMS, LLC
Customer Service Dept.
3400 Grissom Pkwy.
Cocoa, FL 32926
877.997.6774

California Proposition 65 Warning

“Discharging firearms in poorly ventilated areas, cleaning firearms, or handling ammunition may result in exposure to lead and other substances known to cause birth defects, reproductive harm, and other serious physical injury. Have adequate ventilation at all times. Wash hands thoroughly after exposure.”

SAFETY INFORMATION

Before you remove your new DIAMONDBACK FIREARMS pistol from the box, please read the following information. It is vital to both your safety and the safety of others.

Firearm safety is your responsibility.

This **SAFETY & HANDLING INSTRUCTIONS** manual should always accompany this firearm, and should be transferred with the firearm upon change of ownership or when the firearm is presented to another person.

WARNING: YOU MUST FOLLOW ALL OF THESE SAFETY RULES TO ENSURE THE SAFE USE OF YOUR FIREARM. FAILURE TO FOLLOW THE INSTRUCTIONS AND WARNINGS CONTAINED IN THIS MANUAL COULD CAUSE SERIOUS INJURY OR DEATH TO YOU OR OTHERS. DAMAGE TO PROPERTY MAY ALSO OCCUR.

ALWAYS KEEP YOUR FIREARM POINTED IN A SAFE DIRECTION. Never point a firearm at anyone or anything you do not intend to shoot, whether or not the firearm is loaded. This is particularly important when loading, unloading, or field-stripping the gun. ALWAYS control the direction of the firearm.

This firearm may be classified as a dangerous weapon and is surrendered by DIAMONDBACK FIREARMS, LLC with the understanding that the purchaser assumes all liability resulting from unsafe handling or any action that constitutes a violation of any applicable laws or regulations. Firearms can cause serious injury or death. Safety must be the prime consideration of anyone who handles firearms. Always treat a firearm as though it were loaded. Always keep the muzzle pointed in a safe direction.

When assuming ownership of a firearm, you become responsible for the safety and security of the firearm. Always secure firearms and keep out of the reach of children.

Children are attracted to and can operate firearms that can cause severe injuries or death. Prevent child access by keeping guns locked away and unloaded when not in use. If you keep a loaded firearm where a child obtains and improperly uses it, you may be fined or sent to prison.

ALWAYS TREAT EVERY FIREARM AS IF IT WERE LOADED AND WILL FIRE. Do not take anyone's word that the firearm is unloaded: always check for yourself. Never pass your firearm to another person until the cylinder or action is open and you confirm visually that it is unloaded. Keep your firearm unloaded and safely stored when not in use.

NEVER PLACE YOUR FINGER INSIDE THE TRIGGER GUARD OR ON THE TRIGGER UNLESS YOU INTEND TO FIRE.

ALWAYS BE SURE OF YOUR TARGET AND WHAT IS BEYOND IT. Always be sure where the bullet will strike, and shoot only where there is a safe backstop free of obstructions. Water or other surfaces can cause ricochets. Be sure your bullet will stop behind your target. Bullets can ricochet off many surfaces, such as rocks, and travel in unpredictable directions with considerable velocity. Do not fire randomly into the sky.

Make sure your "audience" maintains a five foot distance behind you. No one should stand next to you when you are firing a firearm.

GUN SAFETY IS YOUR RESPONSIBILITY

SAFETY INFORMATION

- **Never touch the trigger when working the slide.**
- **Never alter any components of your firearm.**
- **Never keep a loaded firearm in your home, car, boat, or RV.**
- **Never store a firearm with a cartridge in the chamber.**
- **Never store firearms and ammunition together. Keep them secured and away from children.**

For maximum safety when carrying any pistol with a loaded magazine in place, the chamber should be empty, and the slide should be closed. Any gun may fire if dropped or struck.

Only use clean, dry, high-quality commercially-manufactured ammunition, that is in excellent condition and is the correct caliber for your pistol

The use of reloaded and Plus P ammunition will void this firearm's warranty. Reloads or poor-quality ammunition may not meet industry specifications (SAAMI and/or NATO), may exceed pressure limits, and may be unsafe.

Never use ammunition where the pressure levels exceed industry standards. DIAMONDBACK FIREARMS, LLC will not be held liable for any personal injury or property damage and consequential damages, if faulty ammunition is used in DIAMONDBACK FIREARMS pistols.

Never take medications, drugs, or alcohol when handling firearms.

Never discharge a firearm without proper equip-

ment. Always wear shooting glasses and hearing protection.

If the gun does not discharge after the trigger is pulled, do not change its direction for at least 30 seconds. The round could be a “hangfire”. If the gun sounds different or does not operate, unload the firearm and make sure the barrel is free from obstruction before continued firing.

Do not allow anyone to handle or attempt to fire a DIAMONDBACK FIREARM until they have read and understand this manual and the procedures for safe operation and safe gun-handling.

Be sure that all accessories are compatible with the firearm and that the accessories do not interfere with safe operation.

Never cross obstacles such as fences or streams

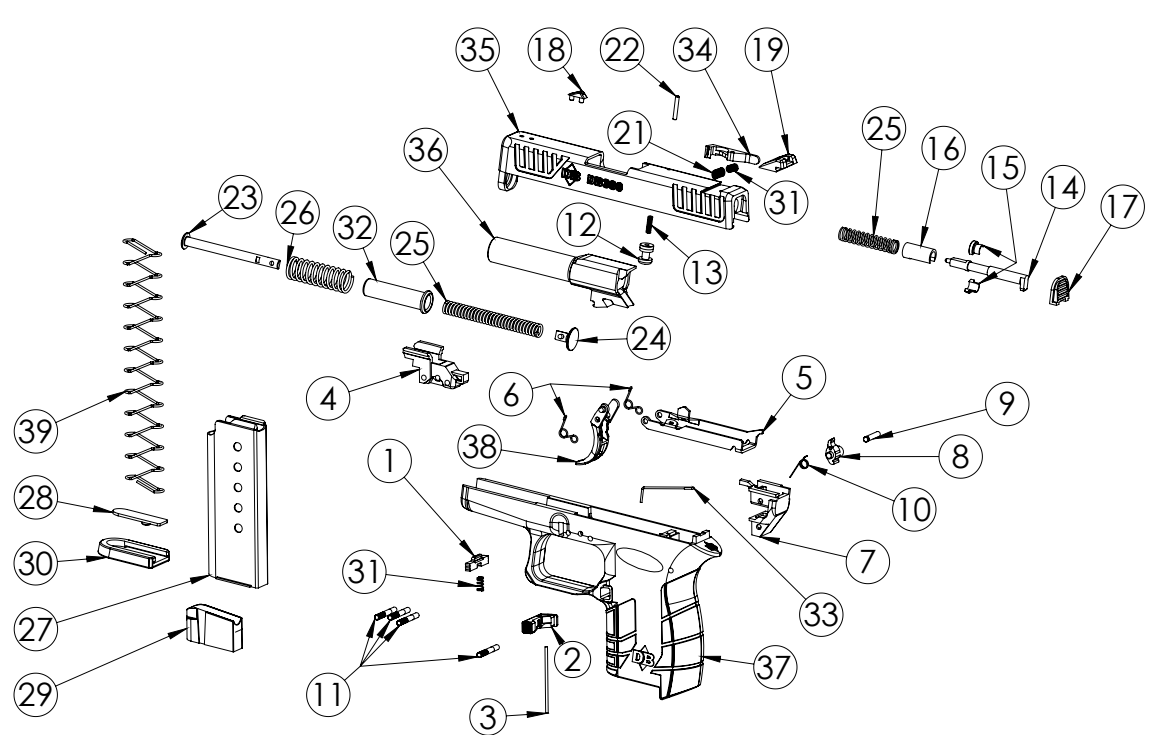
with a loaded firearm.

Before the rifle left the factory, this firearm was tested, carefully inspected and packaged. DIAMONDBACK FIREARMS, LLC cannot control product handling after it leaves the factory; therefore please examine this firearm carefully at the time of purchase to ensure that it is unloaded and undamaged.

NOTICE: Due to potential cyclical problems involving recoil energy, Diamondback Firearms does not recommend the use of any 9mm SAMMI Specification ammunition in bullet weights exceeding 124 grain.

The use of +P, +P+, reloaded, or NON-SAMMI Spec ammunition will void the firearms warranty.

DISCLAIMER: Crimson Trace Corporation © DB .380 specific laser mount is not designed for the DB9. Use of the CTC laser mount on the DB9 will void the manufacturers warranty.

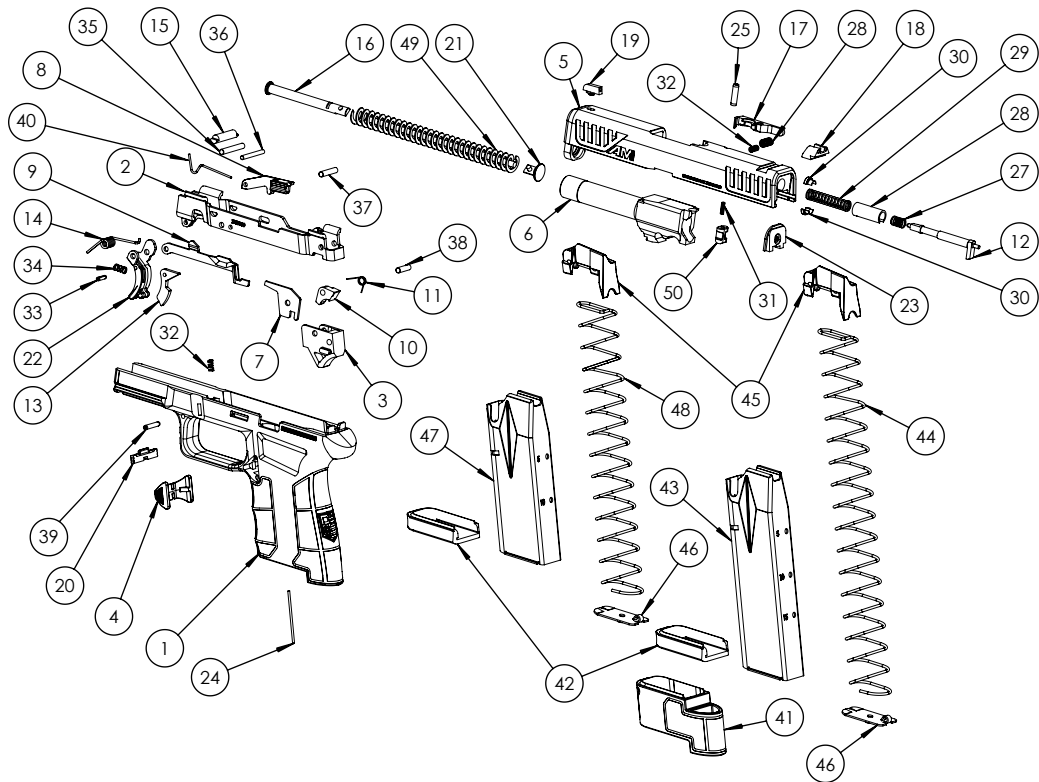


DB380 PARTS LIST

- 1- ASSEMBLY CATCH
- 2- MAG CATCH
- 3- MAG CATCH SPRING
- 4- MACHINED CAM BLOCK
- 5- MACHINED TRIGGER BAR
- 6- TRIGGER RETURN SPRING
- 7- MACHINED REAR RAIL
- 8- MIM SEAR
- 9- SEAR AXIS
- 10- SEAR TORSION SPRING
- 11- ASSEMBLY PIN
- 12- FIRING PIN BLOCK
- 13- FIRING PIN BLOCK SPRING
- 14- DB380 FIRING PIN
- 15- FP SPRING RETAINER
- 16- FIRING PIN SPACER
- 17- SLIDE REAR COVER
- 18- FRONT PLASTIC SIGHT
- 19- REAR PLASTIC SIGHT
- 20- FIRING PIN SPRING
- 21- EXTRACTOR SPRING
- 22- 1/16" X 7/16" SPRING PIN
- 23- RECOIL ROD
- 24- RECOIL GUIDE HEAD
- 25- INNER RECOIL SPRING
- 26- OUTER RECOIL SPRING
- 27- DB380 MAG BODY
- 28- DB380 RETAINER PLATE
- 29- DB380 FOLLOWER
- 30- MAGAZINE FLAT BOTTOM PLATE
- 31- INNER EXTRACTOR SPRING
- 32- RECOIL SPRING TELE HAT
- 33- TB ASSIST SPRING
- 34- HORIZONTAL EXTRACTOR
- 35- DB380 SLIDE
- 36- DB380 BARREL
- 37- DB380 GRIP
- 38- MACHINED TRIGGER
- 39- 380 MAGAZINE SPRING

DB9 PARTS LIST

- 1- ASSEMBLY CATCH
- 2- MAG CATCH SPRING
- 3- MAG CATCH
- 4- TRIGGER RETURN SPRING
- 5- DB9 TRIGGER BAR
- 6- MIM SEAR
- 7- SEAR TORSION SPRING
- 8- ASSEMBLY PIN
- 9- SEAR AXIS
- 10- DB9 RECOIL GUIDE
- 11- INNER RECOIL SPRING
- 12- RECOIL GUIDE HEAD
- 13- DB9 FIRING PIN
- 14- FP SPRING RETAINER
- 15- DB9 FP PRELOAD SPACER
- 16- SLIDE REAR COVER
- 17- FIRING PIN BLOCK
- 18- FIRING PIN BLOCK SPRING
- 19- DB9 MAG BODY
- 20- DB9 6RD FLAT BOTTOM
- 21- FRONT PLASTIC SIGHT
- 22- REAR PLASTIC SIGHT
- 23- DB9 RETAINER PLATE
- 24- DB9 FOLLOWER
- 25- FIRING PIN SPRING
- 26- DB9 GRIP
- 27- MACHINED CAM BLOCK
- 28- INNER EXTRACTOR SPRING
- 29- FIRING PIN SPACER
- 30- RECOIL SPRING TELE HAT
- 31- OUTER RECOIL SPRING
- 32- EXTRACTOR SPRING
- 33- TB ASSIST SPRING
- 34- 1/16" X 7/16" SPRING PIN
- 35- HORIZONTAL EXTRACTOR
- 36- MACHINED TRIGGER
- 37- MACHINED REAR RAIL
- 38- DB9 BARREL
- 39- ASSEMBLY PIN
- 40- DB9 SLIDE
- 41- EX FORCE DB9 MAG SPRING



DBAM29 PARTS LIST

- 1- FRAME MODULE
- 2- AM2 CHASSIS
- 3- DB SC SEAR BLOCK
- 4- DB SC MAG CATCH (REVERSIBLE)
- 5- DB SC SLIDE
- 6- DB SC BARREL (3.5")
- 7- DB SC EJECTOR (9MM)
- 8- DB SC SLIDE STOP
- 9- DB SC TRIGGER BAR
- 10- DB SC SEAR
- 11- DB SC SEAR SPRING
- 12- DB SC FIRING PIN
- 13- DB SC TRIGGER SAFETY
- 14- DB SC TRIGGER SPRING
- 15- DB SC CAM PIN
- 16- AM2 3.5 RECOIL ROD
- 17- FS EXTRACTOR
- 18- AMERIGLO REAR SIGHT W/SET SCREW
- 19- AMERIGLO WHITE DOT FRONT SIGHT W/SCREW
- 20- FS ASSEMBLY CATCH
- 21- FS RECOIL GUIDE HEAD
- 22- FS TRIGGER
- 23- FS SLIDE REAR COVER
- 24- MAG CATCH SPRING
- 25- EXTRACTOR ROLL PIN
- 26- HIGH FORCE EXT. SPRING
- 27- FIRING PIN RETURN SPRING
- 28- FIRING PIN PRELOAD SPACER
- 29- FIRING PIN SPRING
- 30- FP SPRING RETAINER
- 31- FIRING PIN BLOCK SPRING
- 32- INNER EXTRACTOR SPRING
- 33- TRIGGER SAFETY ROLL PIN
- 34- TRIGGER SAFETY SPRING
- 35- TRIGGER AXIS
- 36- SLIDE STOP AXIS
- 37- SEAR BLOCK PIN
- 38- SEAR AXIS
- 39- ROLL PIN
- 40- DB SC SLIDE STOP SPRING
- 41- DB SC MAG EXTENSION (9MM, 15RD)
- 42- DB SC MAG BOTTOM
- 43- 15 RND MAG
- 44- FS 9MM ACT/PSI MAG SPRING
- 45- 10 & 15 RND FOLLOWER
- 46- FS MAGAZINE RETAINING PLATE
- 47- 10 RND MAG
- 48- 10 RND MAG SPRING
- 49- AM2 3.5 RECOIL SPRING
- 50- AM2 FP BLOCK

LOADING AND FIRING

WHEN LOADING A DIAMONDBACK FIREARMS PISTOL, ALWAYS BE SURE THAT THE PISTOL IS POINTED IN A SAFE DIRECTION AND THAT THE TRIGGER FINGER IS OUTSIDE OF THE TRIGGER GUARD AND WELL AWAY FROM THE TRIGGER.

USE ONLY AMMUNITION OF THE PROPER CALIBER, AS SPECIFIED ON THE FIREARM.

The magazine is filled by pushing one round at a time into the magazine. Rounds are pushed, rear lip first, into the front of the magazine. First push the round down to overcome the pressure of the magazine spring, then push the round fully to the rear of the magazine.

Visually inspect the chamber to verify that it is empty. This will reset the firing pin if you have dry fired the weapon.



Insert the magazine into the magazine well at the base of the grip. Push until the magazine catch is fully engaged.

Pull the slide fully to the rear then release it completely to allow the recoil springs to force the slide forward at a high rate of speed. This action will load a round from the magazine into the chamber.

NOTE: Only chamber rounds from the magazine. Do not attempt to chamber an individual round.

The **DIAMONDBACK FIREARMS** pistol is now ready to fire. **DO NOT PUT YOUR FINGER INSIDE THE TRIGGER GUARD OR NEAR THE TRIGGER UNTIL YOU HAVE IDENTIFIED YOUR TARGET AND INTEND TO SHOOT.**

IF YOU PULL THE TRIGGER THE PISTOL WILL FIRE. Hold the pistol firmly when shooting. If it is not held firmly, a misfeed could occur.



UNLOADING

To unload a DB pistol, remove the magazine by pressing the magazine catch in and pulling it from the bottom of the grip, and pull the slide back quickly to extract and eject the round in the chamber. Do not obstruct the ejection port. Keep all fingers away from the trigger and muzzle.

VISUALLY INSPECT THE CHAMBER TO MAKE SURE IT IS EMPTY

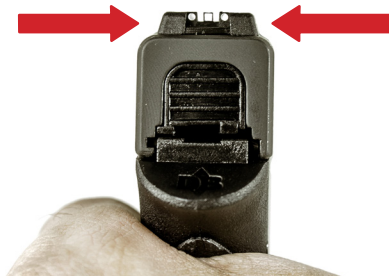


SIGHT ADJUSTMENT

NOTE: This section does not apply to “MS MODELS”

The rear sight is held in place by a tight fit. Windage (Side to Side) adjustments are made by pressing the rear sight in the direction you want the bullet to move. If the target group is to the left of where you are aiming the sights, then move the rear sight to the right and this will move the bullet placement to the right.

NOTE: When pressing the sight, use a non-marring material against the sight and the slide to avoid damage to either.



FIELD STRIPPING

For normal cleaning and maintenance, it is sufficient to dismantle or “field strip” the pistol into its main components: Slide, Barrel, Recoil Spring, Recoil Spring Guide Assembly, Receiver and Magazine.

First, remove the magazine and visually confirm that there is not a round in the chamber. Then pull the trigger, releasing the striker. Next, pull the slide and barrel back just enough to allow the assembly catch to be pressed down all of the way. While holding the assembly catch down, release the slide and barrel and remove them from the receiver.



NOTE: If the slide is pulled too far back it will reset the striker and will not slide forward off of the receiver. Do not use force! Repeat operations above.

LUBRICATION

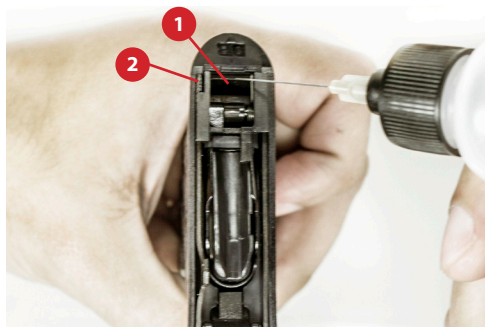
Remove the magazine and visually confirm that there is not a round in the chamber. Then “Field Strip” the pistol. Remove the Barrel. There are three lubrication points on the inside of the slide. They are illustrated in the picture to the right.

1. Right Slide Rail Slot
2. Left Side Rail Slot
3. Barrel Contact Area



There are two lubrication points on the grip assembly. They are illustrated in the picture to the right.

1. Trigger Bar Sear Contact
2. Trigger Bar Disconnect



MAINTENANCE

Cleaning and proper lubrication of your magazine is very important for proper function of your DB pistol. Dirt may slow the follower in your magazine due to excess friction and cause a feeding failure.

NOTE: This section explains how to disassemble your magazine for proper cleaning and lubrication. Always wear safety glasses when disassembling a firearm.

With your magazine turned upside-down, press down on the round tab in the floor plate with an 1/8" punch. (Only move the floor plate forward enough to disengage the round tab)

Then, with your thumb over the bottom of the magazine slowly remove the floor plate.

After the floor plate has been removed, gently release the tension of the spring.



Next, remove the floor plate retainer, magazine spring, and follower from the magazine body.

The magazine body should be thoroughly cleaned with a magazine brush, (An old toothbrush will work as well,) with your preferred solvent.

The magazine spring, floor plate retainer, and follower should also be cleaned.

After you have finished cleaning the parts and allowed them to dry, a light film of oil should be applied to the follower.

The magazine body and spring should be sprayed with a light oil and wiped dry.

Now you can reassemble the magazine.

We recommend that the magazine be cleaned as often as your gun to ensure the best reliability possible out of your DB pistol.

Next, remove the floor plate retainer, magazine spring, and follower from the magazine body.

The magazine body should be thoroughly cleaned with a magazine brush, (An old toothbrush will work as well,) with your preferred solvent.



LOADING AND FIRING

When loading a Diamondback Firearms pistol, always be sure that the pistol is pointed in a safe direction and that the trigger finger is outside of the trigger guard and well away from the trigger.

Use only ammunition of the proper caliber, as specified on the firearm.

Pull the slide rearward until it engages the slide stop. Next, remove the magazine to load it.

The magazine is filled by pushing one round at a time into the magazine. Rounds are pushed, rear lip first, into the front of the magazine. First push the round down to overcome the pressure of the magazine spring, then push the round fully to the rear of the magazine.

Visually inspect the chamber to verify that it is empty. This will reset the firing pin if you have dry fired the weapon.



Insert the magazine into the magazine well at the base of the grip. Push until the magazine catch is fully engaged.

Once the reloaded magazine has been inserted into the firearm, press downward on the slide stop to release the slide. This action will load a round from the magazine into the chamber. The DIAMONDBACK FIREARMS pistol is now ready to fire.

Only chamber rounds from the magazine. Do not attempt to chamber an individual round. Do not attempt to load a round through the ejection port.

Do not put your finger inside the trigger guard or near the trigger until you have identified your target and intend to shoot. If you pull the trigger the pistol will fire.

If the pistol is not held firmly, a misfeed could occur.



UNLOADING

To unload a DIAMONDBACK FIREARMS pistol, depress the magazine catch and remove the magazine from the bottom of the grip. Next, pull the slide back quickly to eject the round in the chamber. Do not obstruct the ejection port. Keep fingers away from the trigger and muzzle.

VISUALLY INSPECT THE CHAMBER TO MAKE SURE IT IS EMPTY.



SIGHT ADJUSTMENT

The front and rear sights are held in place by set screws. Carefully loosen the rear sight set screw by turning it counter clockwise. Use a M4 hex key. This will allow the rear sight to move. If the target group is to the left of where you are aiming the sights, then move the rear sight to the right and this will move the bullet placement to the right

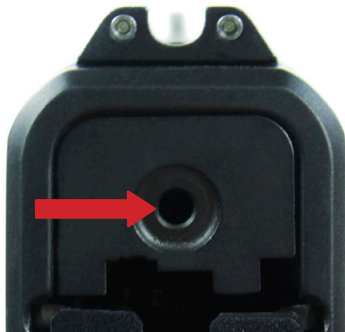
NOTE: When pressing the sight, use a non-marring material against the sight and the slide to avoid damage to either.



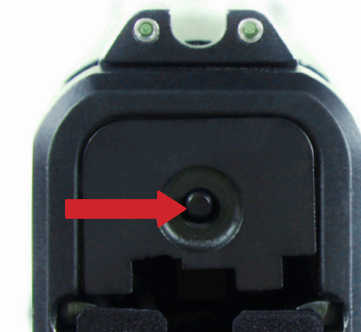
COCKED STRIKER INDICATOR

This DIAMONDBACK FIREARMS pistol contains a cocked striker indicator. When the firearm has been cocked, the pin will appear flush with the slide rear cover.

IN (not cocked)



FLUSH (cocked)



**Never rely on a cocked striker indicator alone.
Always assume the firearm is loaded.**

TRIGGER SAFETY

This DIAMONDBACK FIREARMS pistol is equipped with a trigger safety that blocks the trigger from moving backwards. The safety is released once both the trigger safety and trigger are pulled together.



Safety devices are not a substitute for safe firearm operation and handling. Always follow the safe operation and safe handling rules for this DIAMONDBACK FIREARMS pistol.

FIELD STRIPPING

For normal cleaning and maintenance, it is sufficient to dismantle or “field strip” the pistol into its main components: Slide, Barrel, Recoil Assembly, Receiver and Magazine.

First, point the pistol in a safe direction and make sure that your finger is off the trigger. Remove the magazine and visually confirm that there is not a round in the chamber. Then pull the trigger, releasing the striker. Next, pull the slide and barrel back just enough to allow the assembly catch to be pressed down all of the way. While holding the assembly catch down, release the slide and barrel and remove them from the receiver.

If the slide is pulled too far back it will reset the striker and will not slide forward off of the receiver. Do not use force! Repeat operations above.



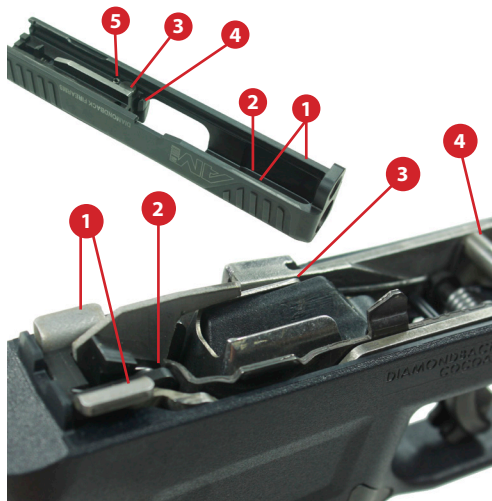
LUBRICATION

Remove the magazine and visually confirm that there is not a round in the chamber. Then “Field Strip” the pistol. Remove the Barrel. There are multiple lubrication points on the inside of the slide. They are illustrated in the picture to the right.

1. Rail Slots
2. Barrel Contact Area
3. FP Block
4. Extractor
5. Extractor Roll Pin

There are five lubrication points on the grip assembly. They are illustrated in the picture to the right.

1. Chassis Rails
2. Sear
3. Slide Stop
4. Cam Pin



MAINTENANCE

Cleaning and proper lubrication of your magazine is very important for proper function of your DB pistol. Dirt may slow the follower in your magazine due to excess friction and cause a feeding failure.

This section explains how to disassemble your magazine for proper cleaning and lubrication. Always wear safety glasses when disassembling a firearm.

With your magazine turned upside-down, press down on the round tab in the magazine bottom with an 1/8" punch. (Only move the magazine bottom forward enough to disengage the round tab)

Then, with your thumb over the bottom of the magazine slowly remove the magazine bottom.

After the magazine bottom has been removed, gently release the tension of the spring.



Next, remove the magazine bottom retainer, magazine spring, and follower from the magazine body.

The magazine body should be thoroughly cleaned with a magazine brush, (an old toothbrush will work as well), with your preferred solvent.

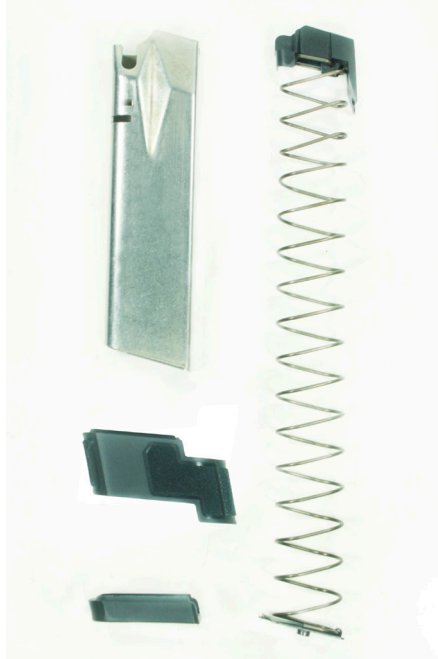
The magazine spring, magazine bottom, retainer, and follower should also be cleaned.

After you have finished cleaning the parts and allowed them to dry, a light film of oil should be applied to the follower.

The magazine body and spring should be sprayed with a light oil and wiped dry.

Now you can reassemble the magazine.

We recommend that the magazine be cleaned as often as your gun to ensure the best reliability possible out of your DIAMONDBACK FIREARMS pistol.



SERVICE

Should your firearm need adjustment, refinishing, or repair, it should be returned to the factory, **unloaded.**

When shipping the firearm, be sure to adhere to the following rules:

Federal Firearms Licensees are required to send an updated copy of their FFL with the return of a repair.

Firearms and contents must be shipped in a proper cardboard box.

Please do not ship with ammunition, it will not be returned.

You are responsible for knowing your state and federal firearm laws.

Individuals who wish to return the firearm for service can do so by shipping it to the address below. No return authorization number is required.

Any firearm shipped for service must have a child safety lock and key with it. If not then DIAMONDBACK FIREARMS will include one upon return at the owners expense.

Include a letter of instruction, your full name, address, telephone number, and the firearms serial number. This will ensure prompt service and handling. Once your firearm has been received, anything other than warranty work will receive a quotation. You will be notified of full charges and no work will commence before your approval of the quote has been obtained.

DIAMONDBACK FIREARMS accepts payments in the form of money orders, American Express, Discover, Mastercard and Visa. Please return your rifle to:

Diamondback Firearms, LLC

Service Dept.

3400 Grissom Pkwy.

Cocoa, FL 32926

1.877.997.6774

TROUBLESHOOTING

The proper function of your DB pistol is directly related to care and maintenance. As with any firearm, a 50-100 round break-in period may be required. During this period, some failure-to-feed, failure-to-extract or failure-to-eject malfunctions may occur.

Failure-to-Feed: occurs when a cartridge has been fed from the magazine but not fully into the chamber. The most common causes are: improper ammunition, dirt or debris impeding the magazine follower, or as a result of not holding the pistol firmly while shooting. Point your gun in a safe direction and remove the magazine, then remove the round from the chamber. Clean and lubricate the firearm properly, then reload and try to fire again.

Failure-to-Feed: may also occur if the firearm has been dry fired prior to chambering a round without resetting the firing pin by pulling the slide back partially and letting it go.

Failure-to-Extract: occurs when a fired case is not fully extracted from the chamber. The most common causes

are: improper ammunition, dirt or debris, a damaged extractor or not holding the firearm tight enough. Point your gun in a safe direction and remove the magazine, then remove the fired case. Check ammunition for proper caliber and type, and check for any damage of the extractor. Clean and lubricate the firearm properly, then reload and try to fire again.

Failure-to-Eject: occurs when a fired case is extracted fully from the chamber but does not clear the ejection port properly. The most common causes are: improper ammunition, dirt or debris, a damaged ejector tip or not holding the firearm tight enough. Check ammunition for proper caliber and type, check for any damage of the ejector tip. Clean and lubricate the firearm properly, then reload and try to fire again.

DIAMONDBACK FIREARMS, LLC.

LIMITED LIFETIME WARRANTY

This "Limited Lifetime Warranty" has been drafted to comply with the MAGNUSON-MOSS WARRANTY FEDERAL TRADE COMMISSION IMPROVEMENT ACT which is effective for goods manufactured on or after December 31, 1976. DIAMONDBACK FIREARMS, LLC. warrants that this firearm was originally manufactured free from defects in material and workmanship.

DIAMONDBACK FIREARMS, LLC. agrees to correct any defect in material and/or workmanship for the original purchaser by repair or replacement **ONLY**. Proof of purchase required. A service or handling charge may be applied at the company's discretion.

DIAMONDBACK FIREARMS, LLC. will not be responsible for defects resulting from careless handling, unauthorized adjustments or modifications, corrosion, neglect, abuse, failure to provide reasonable and necessary maintenance as described by this owners manual. Damage caused by hand loaded and/or reloaded or improper ammunition or damage caused from firing with any obstruction in the barrel will not be warranted. This warranty does not apply to ordinary wear and tear of any parts, including metal, plastic, or any other material used to manufacture this product, as well as all surface finishes. Diamondback does not warranty aftermarket parts or damage or issues caused by them.

Under no circumstances shall DIAMONDBACK FIREARMS,LLC. be responsible for incidental or consequential damages with respect to economic loss or injury or property damage, whether as a result of breach of express or implied warranty, negligence or otherwise. Some states do not allow the exclusion or limitation of incidental or consequential damages, so the above limitation or exclusion may not apply in certain cases.

If you need to return your gun to DIAMONDBACK FIREARMS for warranty or service related claims, please refer to the shipping instructions in the SERVICE section of this manual.

This DIAMONDBACK FIREARMS Operating and Safety Instruction Manual should always be kept with your Diamondback Firearm, and in case of sale or transfer, should be passed on to subsequent owners.

Model: _____

Serial Number: _____

Sold To: _____

Date Sold: _____

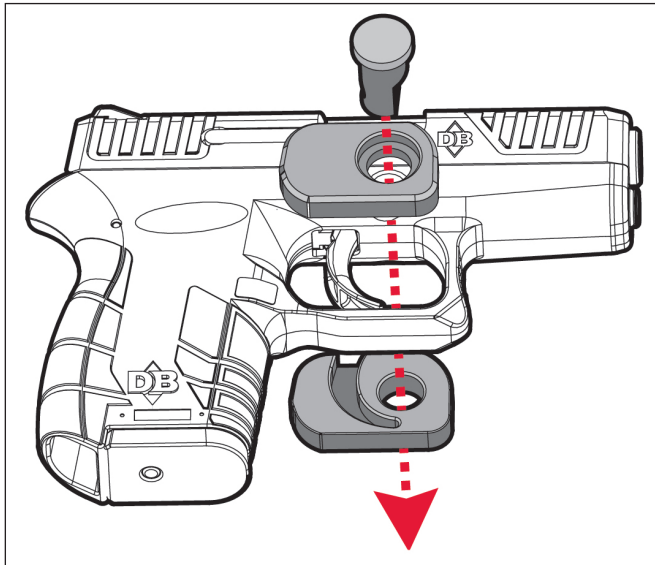
TRIGGER LOCK

DANGER

**IMPROPER USE MAY RESULT
IN SERIOUS INJURY OR DEATH**

**USE ONLY IN DIAMONDBACK
DB 380 AND DB9 MODELS**

1. A loaded gun is dangerous. Please ensure the gun to be locked is both unloaded and uncocked before using the trigger lock.
2. Insert "Side A" through right side of trigger guard.
3. Insert "Side B" through left side of trigger guard.
4. Insert trigger lock pin through "Side A" and "Side B" of trigger lock.
5. Attach master lock through trigger lock pin to secure all parts of trigger lock.



DIAMONDBACK

FIREARMS



USAMADE