

HATFIELD

Continuing the Tradition

SINGLE BARREL SHOTGUN OWNER'S MANUAL

**READ THE INSTRUCTIONS AND
WARNINGS IN THIS MANUAL CAREFULLY
BEFORE USING THIS FIREARM**

Hatfield Single Barrel Shotgun Owner's Manual

Congratulations! You have purchased a real Hatfield Shotgun that will provide many days of enjoyment afield and hopefully be passed down through your family. Your Hatfield shotgun is fully warranted against any defects in material or workmanship, but it is important that you register your warranty at www.hatfieldguncompany.com to receive full benefit of your limited warranty.

VERY IMPORTANT

This owner's manual contains operating, care and maintenance instructions to assure safe operation of this Hatfield single barrel shotgun. Any user of this firearm must read this manual carefully. Failure to follow the instructions and warnings in this manual can cause accidents resulting in injury or death. This manual should always accompany this firearm, and be transferred with it upon change of ownership.

WARNING: KEEP THIS FIREARM OUT OF THE REACH OF CHILDREN AND ANYONE UNFAMILIAR WITH THE SAFE HANDLING OF FIREARMS.

This firearm has been tested using proof and service ammunition that meets Sporting Arms & Ammunition Manufacturers Institute (SAAMI) performance standards.

Hatfield Gun Company assumes no liability or responsibility for injury or damages resulting from misuse, neglect, alterations, the alteration or use of parts not of our manufacture or the use of ammunition that is faulty, handloaded, reloaded or not made by a recognized company that manufactures ammunition to SAAMI specifications and standards.

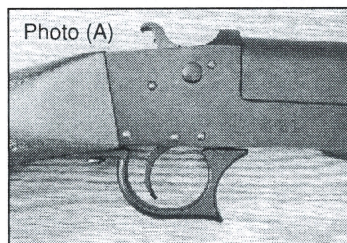
Before You Use Your Hatfield Single Barrel Shotgun

It is very important that you read and understand this manual. Warnings should be read and heeded very carefully. Also study "The Rules for Firearm Safety", in this manual.

-WARNING: Your gun is shipped completely assembled and should not be used or disassembled without fully reading and understanding the instructions in this Owner's Manual.

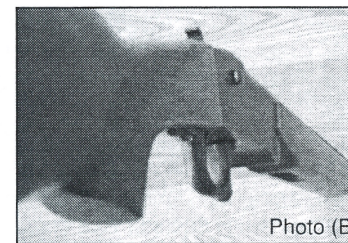
-WARNING: It is a violation of federal law to alter or deface the serial number of any firearm.

HOW TO LOAD AND FIRE THE HATFIELD SINGLE BARREL SHOTGUN



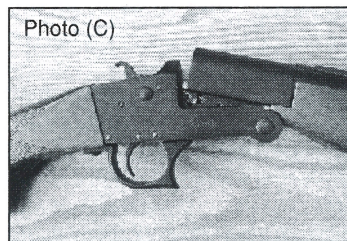
To open your Hatfield single barrel shotgun, first make sure the hammer is in the full forward uncocked position

Photo (A)



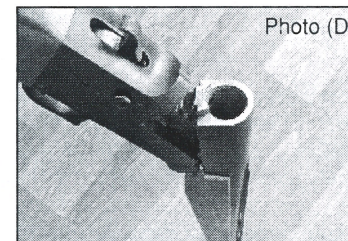
and the manual safety button is in the full right "Safety on" position

Photo (B)



While pointing the gun in a safe direction, pull back on the front of the trigger guard while exerting downward pressure on the barrel just forward of the fore-end

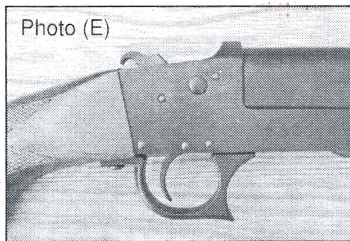
Photo (C)



The gun barrel will rotate down exposing the barrel chamber

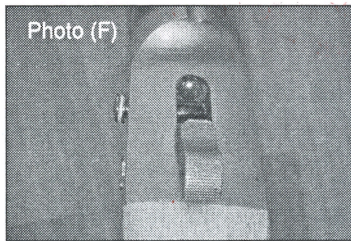
Photo (D)

Make sure you have the proper ammunition before sliding a live shell into the gun barrel's chamber. With a live shell in the chamber simply close the action, (it is not necessary to hold the trigger guard rearward when closing the action).



Now with a live round in the gun's chamber while keeping your finger outside the trigger guard draw the hammer rearward with your thumb into the full rearward "Cocked position"

Photo (E)

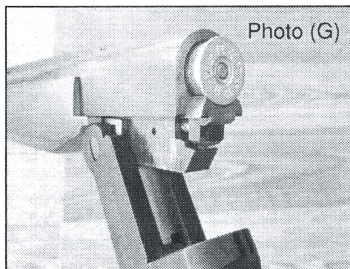


Your Hatfield single barrel shotgun is now ready to fire. Keep the gun pointed in a safe direction, be sure of your target and make sure the area beyond your target is safe as well. With the gun properly seated in your shoulder while aiming at your target, push the safety button to the full left "Off safe position"

Photo (F)

and then and only then when you are sure of your target and the area beyond should you put your finger inside the trigger guard and pull the trigger.

UNLOADING YOUR HATFIELD SINGLE BARREL SHOTGUN



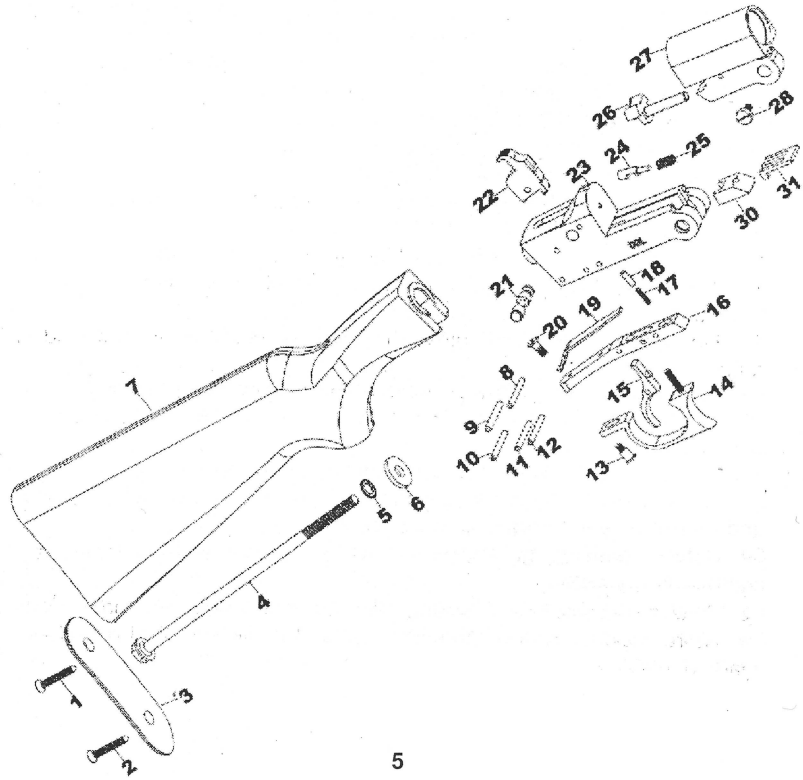
To unload your Hatfield single barrel shotgun make sure the safety button is in the full right "On safe" position and the hammer is in the full forward uncocked position, then simply pull back on the trigger guard and rotate the barrel downward to expose the cartridge. The guns automatic extractor will push the shell out of the barrel's firing chamber so that it can be easily extracted (Photo-G)

WARNING: In case of a misfire, keep the firearm pointed in a safe direction and wait one minute before opening firearm.

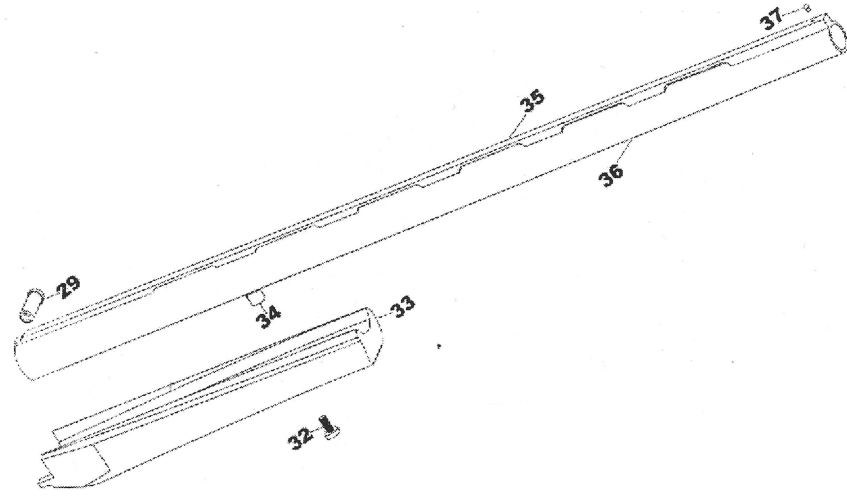
The Rules for Firearm Safety

1. Read and understand the owner's manual before using the firearm.
2. If you are unfamiliar with firearms, attend a firearms safety class taught by a certified instructor.
3. Handle every firearm as if it were loaded and ready to fire.
4. Control the muzzle, and never point a firearm at anything you don't want to shoot.
5. Keep the safety on SAFE until you are ready to shoot.
6. Unless you are hunting, carry your firearm empty, with the action open.
7. Before shooting, be sure you have an adequate backstop. All ammunition is dangerous beyond your line of sight.
8. Avoid ricochets by never shooting at water or any hard, flat surface.
9. Do not run, climb, or jump over an obstacle with a loaded firearm.
10. Do not climb into or out of a tree or tree stand with a loaded firearm. Do not allow others to pass loaded firearms to you while in a tree stand.
11. Do not enter or ride in a motor vehicle with loaded firearms.
12. Do not lean a loaded firearm against anything.
13. Do not bump, drop or jar a loaded firearm.
14. Do not pull a firearm toward you by the muzzle.
15. Wear hearing protectors when shooting.
16. Wear impact-protective glasses when shooting, disassembling or cleaning firearms.
17. Avoid alcoholic beverages and drugs before and during shooting.
18. Use only ammunition of the correct gauge, caliber, size and bullet shape for your firearm.
19. Do not use damaged, dirty, modified, or improperly handloaded ammunition.
20. Keep the barrel and mechanism of the firearm free of obstructions.
21. Do not use a firearm that fails to function properly. Do not try to force a jammed action.
22. Be sure no one is in the path of ejecting shells or cartridges.
23. Do not interchange parts between firearms, and be sure disassembly and reassembly are correct and complete.
24. Before cleaning, be sure the chamber, action and magazine are completely unloaded.
25. Unload firearms before storing, transporting, or leaving unattended.
26. Store firearms and ammunition separately, locked and out of the reach of children.

12 GENERAL PART ASSEMBLY



5



6

PART LIST

1	Butt Plate Screw	19	Main Spring
2	Butt Plate Screw	20	Hammer Spring Screw
3	Butt Plate	21	Safety
4	Stock Bolt	22	Hammer
5	Stock Bolt Lock Washer	23	Receiver
6	Stock Bolt Washer	24	Firing Pin
7	Stock	25	Firing Pin Spring
8	Firing Pin Retaining Pin	26	Extractor
9	Hammer Pin	27	Monoblock
10	Bottom Plate Retaining Pin	28	Hinge Pin Screw
11	Trigger Pin	29	Hinge Pin
12	Bottom Plate Retaining Pin	30	Locking Block
13	Trigger Guard Screw	31	Action Release
14	Trigger Guard	32	Forend Screw
15	Trigger	33	Forend
16	Bottom Plate	34	Forend Lug
17	Safety Spring	35	Vent Rib
18	Safety Plunger	36	Barrel
		37	Front Bead

Failure to follow these rules, or other instructions in this manual, can result in personal injury or death.

Health Warning: Discharging of firearms in poorly ventilated areas and handling ammunition may cause exposure to lead and/or lead compounds. Exposure may cause cancer, birth defects or damage to the kidney, nervous, blood forming and reproductive systems. Have adequate ventilation at all times, especially in confined areas. Wash hands thoroughly after shooting, handling ammunition, or cleaning a firearm. Do not eat or smoke during these activities.

Safety Warning: We strongly recommend that you take a hunter safety course, taught by a certified instructor, before you use this firearm. Your State Fish & Game Department or a local gun shop can suggest courses in your area.

Safety Warning: Store this firearm in a locked safe out of the reach of children and others unfamiliar with the safe handling of firearms. Store ammunition in a locked safe separate from the firearm.