

**ISSC MSR**

**MODERN  
SPORTING RIFLE**

**MIK22**



**ISSC**

Modern Sporting Rifle™



Handling and Safety Instructions

## **Important instructions for the use of firearms**

**It should be remembered that even the safest gun is potentially dangerous to you and others when it is not properly handled.**

**Always bear in mind:**

- Keep your finger away from the trigger unless you really intend to fire.**
- Always keep your weapon pointing in a safe direction so that you and others cannot be endangered.**
- First of all read and understand the operating instructions and learn how the weapon works and is to be handled.**
- Always treat an unloaded weapon as if it were loaded.**

# ISSG MSR MODERN SPORTING RIFLE MK22

Description:	Section	Page
Product description	D-01	03
Safety regulations	D-01-1	04
Technical data	D-01-2	05
Safety mechanisms	D-02	06
Transporting the gun	D-03	06
Handling the gun	D-04	07
General	D-04-1	07
Ammunition	D-04-2	07
Loading the magazine	D-04-3	08
Loading the gun (ready for firing)	D-04-4	09
Firing	D-04-5	10
Reloading during firing	D-04-6	11
Unloading the gun (magazine not empty)	D-04-7	12
Unloading the gun (magazine empty)	D-04-8	13
Decocking the gun	D-04-9	14
Setting the rear sight	D-05	15
Setting the front sight	D-05-1	15
Mounting of the rear stock	D-05-2	16
Mounting of the cocking lever	D-05-3	17
Adjusting the rear stock	D-05-4	18
Gun maintenance / Disassembling for cleaning	D-06 / D-06-01	19
Cleaning the gun	D-06-2	20
Gun assembly	D-06-3	21
Care of the Gun	D-06-4	22
Trouble shooting, fault removal	D-06-5	23
Safekeeping and storage of gun	D-06-6	24
Shipping the gun	D-06-7	24
Disposal	D-06-8	25
Accessories	D-06-9	25
Main parts	D-07	26
Explosion drawings / spare part list	D-07-01	27-30

## **D-01: Product Description:**

Dear valued customer,

Congratulations on your purchase of the Modern Sporting Rifle MK22.

In order to create your personal gun, please ask your dealer for the available line of accessories.

### **Manufacturer contact:**

ISSC Handels GmbH

Hannesgrub 3

AT-4910 Ried im Innkreis  
Austria

## D-01-1: General instructions / Safety regulations

- ▣ Never use the gun under the influence of drugs or alcohol, while ill or suffering other such difficulties. These conditions can impair your powers of judgement and reflexes.
- ▣ Always think the gun as being loaded and with the safety off until you have established the opposite through the unloading procedure.
- ▣ Always keep the muzzle of the gun in a safe direction with all handling. A safe direction is towards an area where there are no people, other life forms or property that is not a recognized target.
- ▣ Never point the gun at doors, panes of glass, walls, concrete, stone or flat surfaces (water included). A bullet can penetrate such surfaces or be ricocheted in an unsafe direction.
- ▣ Never aim at yourself or other life forms.
- ▣ Never rely on safety mechanisms alone. Safety mechanisms are not a substitute for careful, correct and secure handling of the gun.
- ▣ Always treat your gun as if the safety mechanisms were not functioning. The best safety precaution is a correct, well-trained and safe handling of the gun.
- ▣ Never shoot with a gun which has been penetrated by water, sand, dirt or other foreign bodies.
- ▣ Never decock the hammer by holding on to the hammer and pulling the trigger at the same time.
- ▣ Never let a loaded gun out of your hand.
- ▣ Always unload the gun immediately after firing, before putting the gun away, putting into a holster or handing to another authorized person.
- ▣ Never give the gun to a person who has not thoroughly familiarized himself or herself with the safety instructions and handling of gun, by reading the corresponding instructions.
- ▣ Never leave the gun lying unattended and protect the gun from unauthorized access.
- ▣ Never store the gun loaded, but rather remove the magazine and ensure that no cartridge is left in the chamber of the barrel.
- ▣ Always keep the gun and the ammunition separate from one another, and ensure that neither is obtained by unauthorized persons or children.

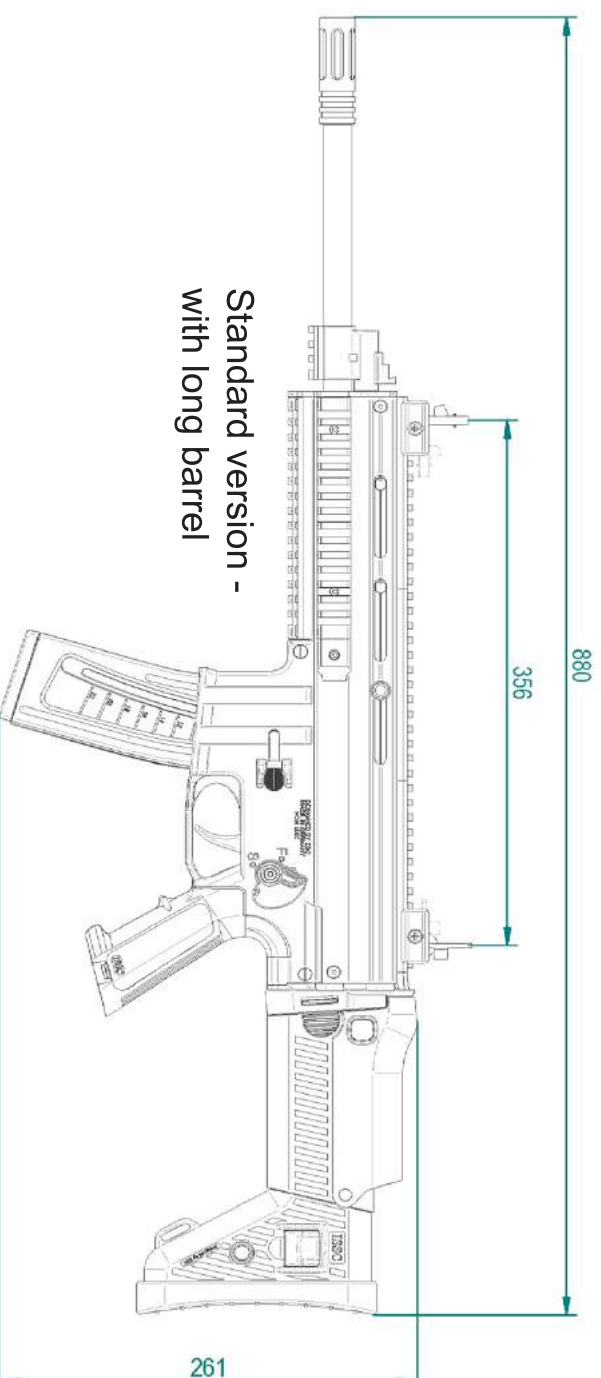
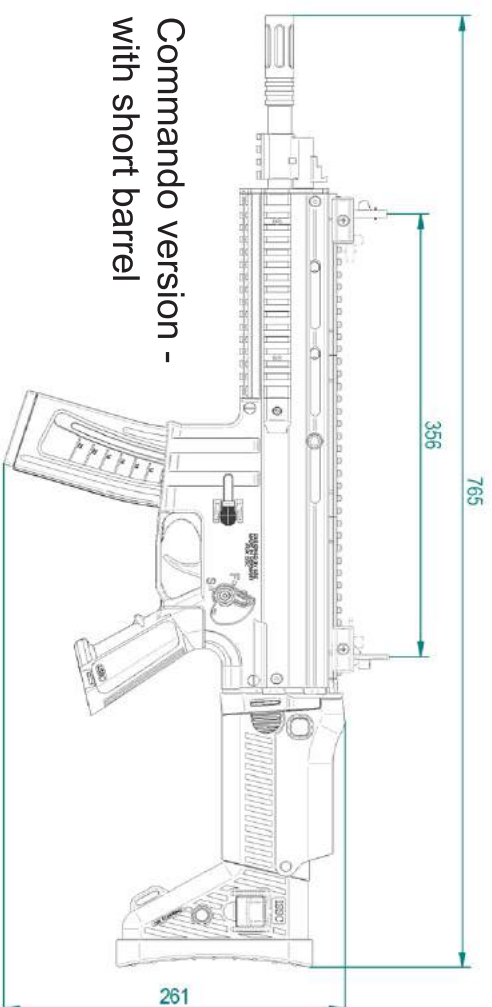
# ISSG AUSTRIA - MSR MK22

## D-01.2: Technical Data:

Caliber	22 Long Rifle HV 765/880 - 801/ 916 mm
Overall length	30,11/34,65 - 31,53/36,06 inch
Overall height	265 mm
Overall width	10,27 inch
Barrel length	71,5 mm 2,81 inch
Rifling length	300/420 mm 11,81/16,53 inch
Number of grooves	406 mm 15,98 inch
Sight length	6
Weight without magazine	max 400 mm max. 15,74 inch
Magazine weight empty	2930 g 6,453 lbs
Trigger pull, approx.	115 g 0,253 lbs
Magazine capacity / rounds	SA 25 N 2,5 kg / 5,50 lbs 22

Included in the delivery are:

- 1 Rifle/pistol
- 1 Magazine
- 1 Handbook
- 1 Multi Tool
- 1 Cleaning Rod
- 1 Stock
- 1 Stock-Fixing- Screw



## D-02: Safety mechanism:

### „Safety lever F/S“

Engaging manual safety: push the manual safety lever up fully to engage until the yellow point shows on the alphabetic character “S” (see figure 1)

„S“ = SAFE / „F“ = FIRE

### „Magazine Safety“

If you remove the magazine the trigger is blocked.

### „Drop-safety / Firingpin-safety“

An inside safety pin is located in front of the firing pin in order to avoid that the firing pin hits the cartridge. Due to use of the trigger the safety pin moves forward and releases the firing pin.

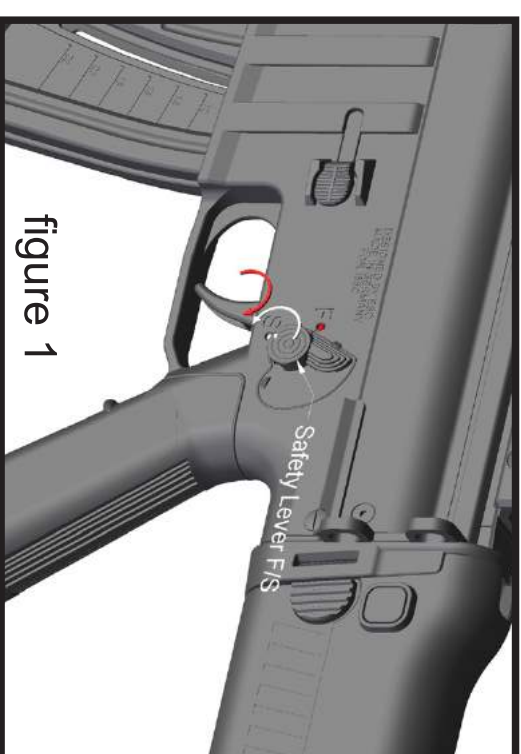
## D-03: Transporting the rifle:

For your own safety and the safety of others, always transport the gun unloaded and decocked.

Never carry a gun with you that has already been cocked and which has a round in the chamber.

Transport the gun separate from the ammunition.

Ensure that all applicable laws governing the transport of firearms are complied with.



## D-04: Handling the gun:

### **D-04-1: General:**

The gun is generally delivered preserved with a thin, protective grease and oil coating.

### **D-04-2: Ammunition:**

For your gun, use only commercial grade ammunition in its original packing which corresponds with the caliber of the gun. The correct caliber is imprinted on the gun. Never use reloaded, „refurbished“, hand-loaded, non standard ammunition of a different caliber.



## D-04-3: Loading the Magazine:

### Procedure:

1. Put the cartridge on the feeder, near the magazine feed lips. (figure 2)
2. Pull down the spring of the magazine.
3. Push the bullet to the backside of the magazine. (figure 3)
4. Load only the quantity of bullets into the magazine, you want to fire. (max. 22 bullets)

figure 2

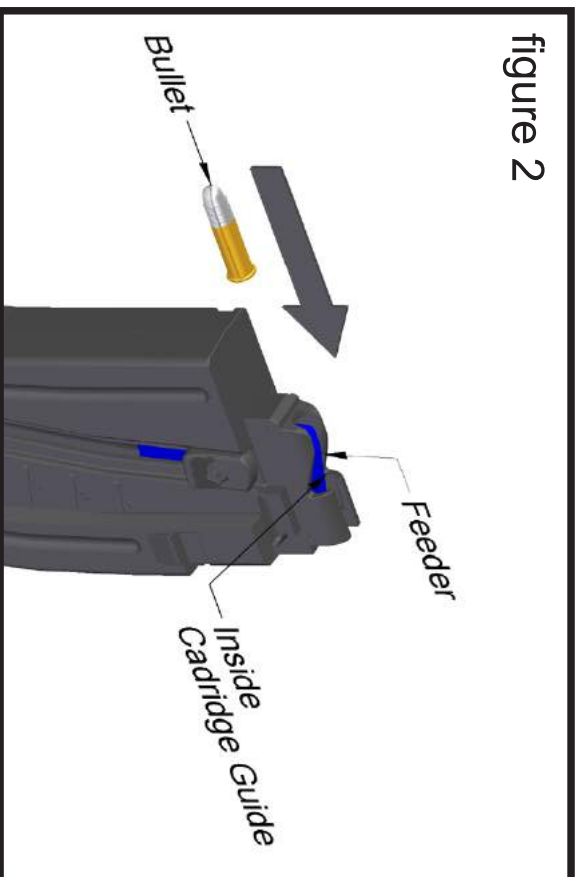
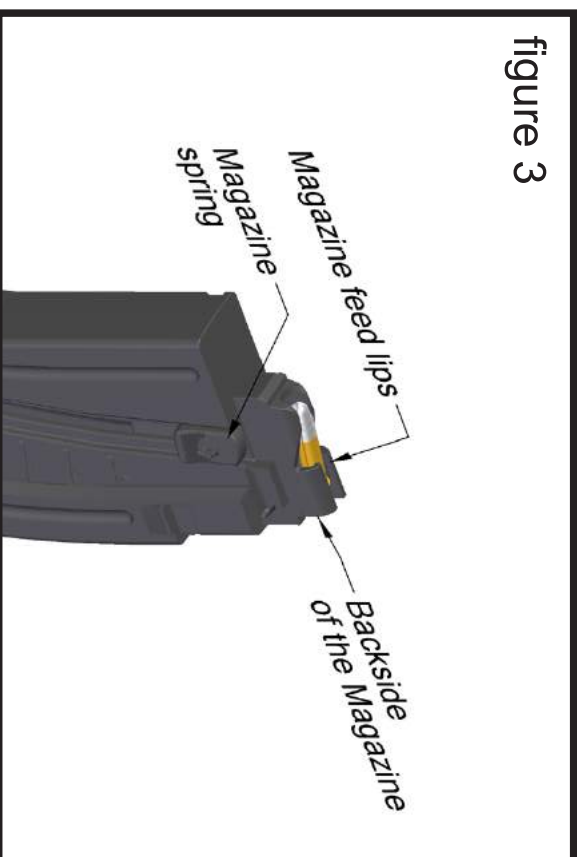


figure 3



## D-04-4: Loading the gun (ready for firing):

### **Notice:**

The safety lever should always be in the position "S".

Never load or reload the gun in a vehicle,

a room or another small area. (Except a shooting range).

Before loading always wipe off an excess grease and oil and check to see if there are any foreign objects/material in the barrel.

Always keep the muzzle of the gun pointed in a safe direction.

Do not put your finger on the trigger. Keep your finger outside the trigger guard. Load the gun by pushing in the magazine only directly before firing.

Pull the cocking lever to load the first bullet.

Never rely on the safety mechanisms alone.

**Safety mechanism is no substitute for careful and correct handling of the gun.**

Never let a loaded gun out of your hand.

### **Procedure:**

1. Point the gun in a safe direction.
2. Insert loaded magazine and ensure that it is fully engaged. (figure 5)
3. Pull the cocking lever back until it stops and allow it to slide forward. (figure 4)
4. Put the safety lever to the „F“ position. The gun is now cocked and ready for firing.

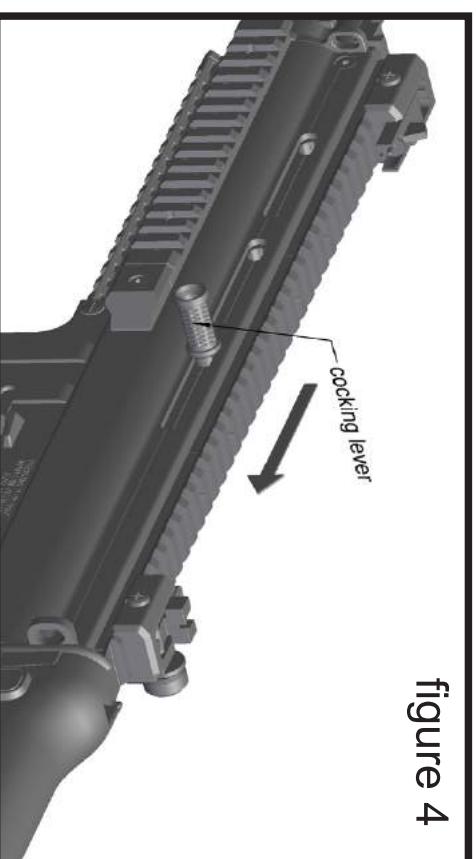


figure 4



figure 5

## D-04-5: Firing:

1. Ensure that the target and surroundings allow shots to be fired without danger.
2. Be certain that your fingers, hands or other parts of the body are not in front of, above or beside the barrel muzzle or the ejection port during firing.
3. Never allow any person to stand next to you where they could be hit by ejected cartridge cases.
4. When shooting, always wear ear protection and protective eye glasses. Inform other people close to you about the need to wear ear protection.
5. Interrupt shooting immediately and unload the gun if you suspect that a round is not inserted correctly, a case is jammed, a round may have blocked the barrel or a shot sounds or gives the sensation that it may be “weak” or unusual.
6. Never try to dislodge a blockage by firing another round.

**Important:** During firing hold the gun with the **handguard** and **not with the magazine!**

Holding the gun with the magazine can cause malfunctions !

## D-04-6: Reloading during firing:

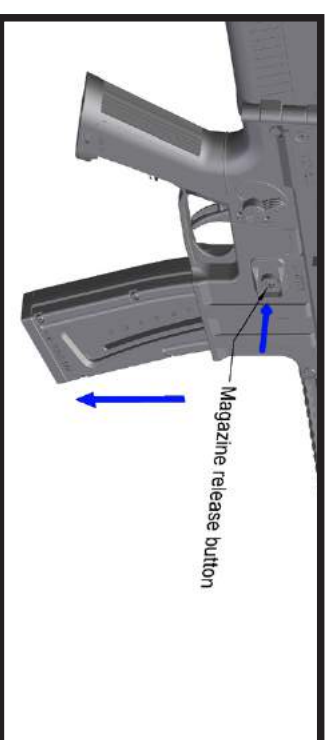
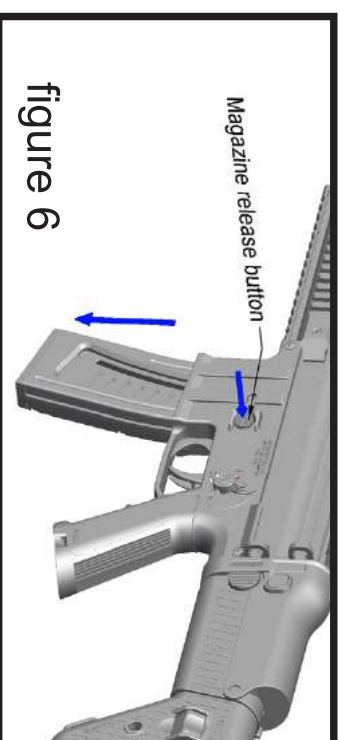
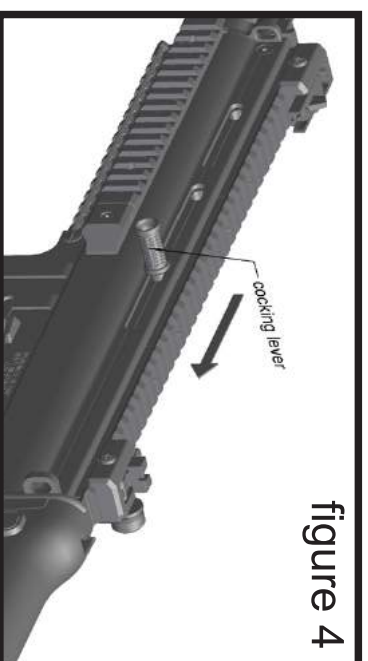
The slide is held in the open position after the last shot.

### **Notice:**

Put the safety lever in the position “S”.  
Never let the gun out of your hand.  
Keep the gun in a safe direction.  
Remove the finger from the trigger.

### **Procedure:**

1. Remove the empty magazine. (figure 6).
2. Insert full magazine and ensure that is fully engaged. (figure 5 - page 9)
3. Pull the cocking lever back until it stops and allow it to slide forward. (figure 4)
4. The rifle is reloaded and cocked.
5. Push the safety lever in the position “F”. The gun is ready for firing .



## D-04-7: Unloading the gun - magazine not empty

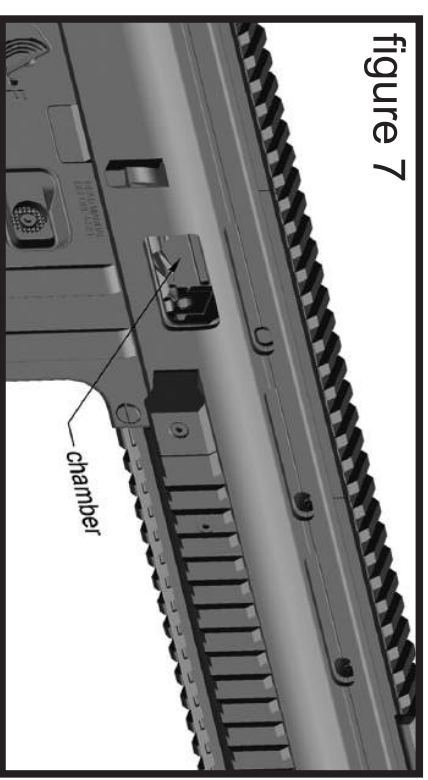
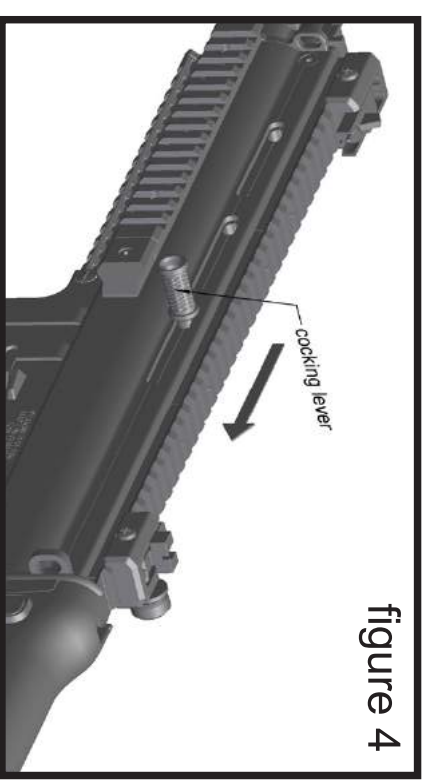
### **Notice:**

Never let the gun out of your hand before it is unloaded.  
When the gun is loaded, a round is in the chamber.  
Never place your hand over the slide opening.

### **Procedure:**

1. Put the safety lever in the „S“ position.
2. Press the magazine release button to remove the magazine. (figure 6 page 11)
3. Keep the muzzle of the gun in a safe direction.
4. Pull the cocking lever back until it stops and hold it in this position. The bullet is hereby ejected. (figure 4)
5. Check (visually and manually with appropriate aid) to ensure that the round has been ejected and that there is no more round in the chamber. (figure 7)
6. Allow the cocking lever to slide back forward.
7. Empty the magazine.
8. Pick up the ejected round and clean the gun.

**Important: The gun is now unloaded, but not decocked !**



## D-04-8: Unloading the gun - magazine is empty

### **Notice:**

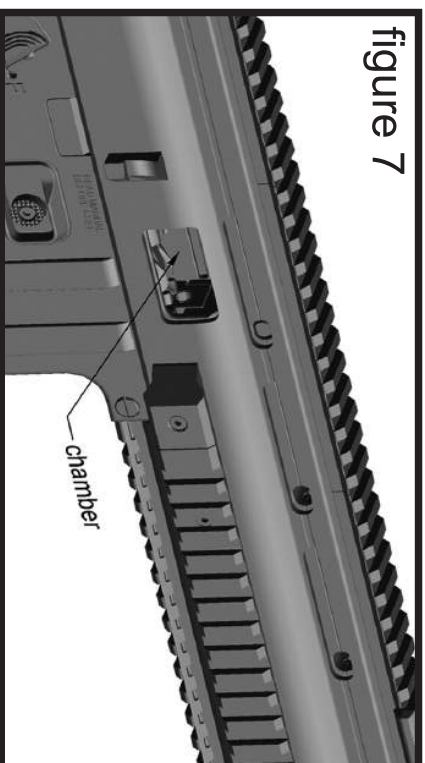
You must not let the gun out of your hand until the magazine has been removed and the gun is unloaded.

### **Procedure:**

1. Keep the gun muzzle pointed in a safe direction.
2. Press the magazine release button and remove the magazine. (figure 6 page 11)
3. The ejection port must be open after the last round.
4. Check (visually and manually with appropriate aid) to ensure that there is no more round in the chamber. (figure 7)

**Important: The gun is now unloaded, but not decocked!!!**

figure 7



## D-04-9: Decocking the Rifle:

### **Notice:**

Pull the trigger only, when an empty magazine is inserted and when there is no more cartridge in the chamber. The ejection port must be open (the slide is cocked)

If the ejection port is not open, insert an empty magazine and pull the cocking lever and allow it to slide forward.

### **Procedure:**

1. When you are sure that there is no cartridge in the chamber or in the barrel, remove the empty magazine. (figure 6 page 11)
2. Pull the cocking lever and allow it to slide forward. (figure 4 - page 9)  
The slide must fly forward at the same time so that the ejection port closes.
3. Turn the safety lever in position „F“ and pull the trigger.
4. The hammer springs forward.
5. The Rifle is now decocked.
6. Turn the safety lever in position „S“.

### **Important:**

**When you push back the cocking lever after this procedure, the hammer goes back and the gun is cocked again!**

## D-05: Setting the Rear Sight

### **Procedure:**

1. To retract the rear sight just push the rear sight down. (to the frontside). To get it up pull it back to it's shooting position. (figure 8).
2. To adjust the rear sight you can turn the adjusting screw clockwise to move the rear sight left (at right-hand drift) or turn the adjusting screw counterclockwise to move the rear sight right (at left-hand drift).
3. When the rear sight is in the best position, just stop turning it. It will hold the actual position.

## D-05-1: Setting the Front Sight

1. To retract the front sight just push the front sight down (backwards) (figure 9).  
To get it up pull it to it's shooting position.
2. To adjust the front sight you can turn the adjusting screw clockwise to move the front sight down or turn the adjusting screw counterclockwise to move the front sight up.
3. When the front sight is in the best position, just stop turning it. It will hold the actual position.

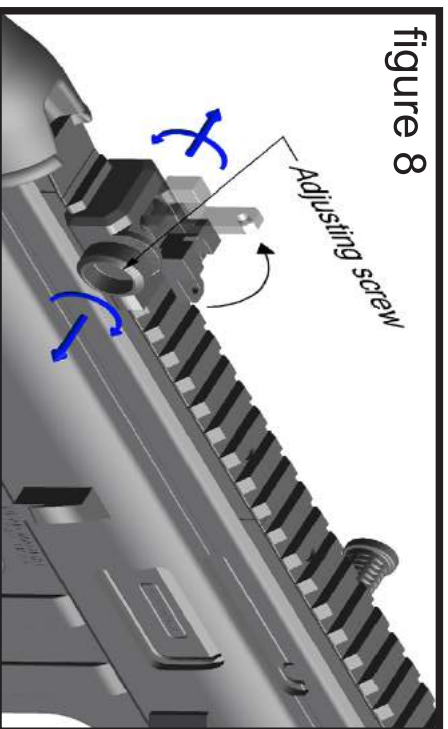


figure 8

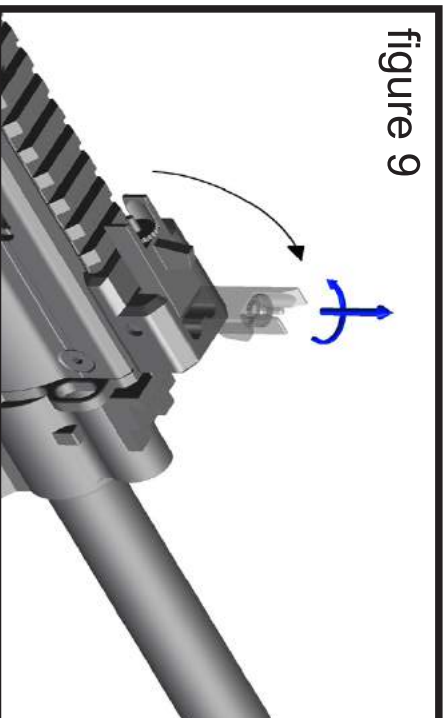


figure 9



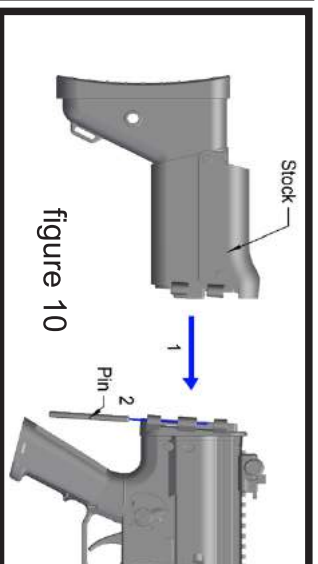
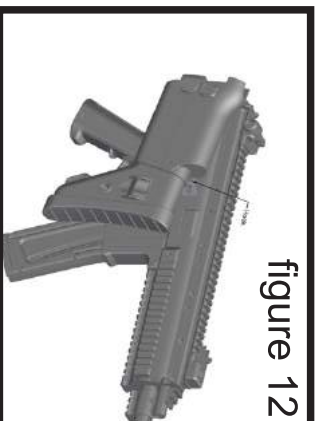
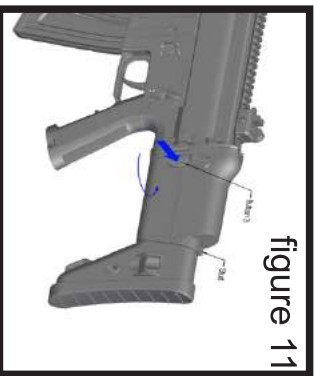
## **D-05-2: Mounting of the rear stock**

**Before you can use the gun you have to mount the rear stock.**

The rear stock can be retracted for easy carriage. Only shoot when the rear stock is fully opened and fixed.

### **Procedure:**

1. Place the stock at the adapter plate so that all pin circles are in line. Now mount the stock by carefully pushing the stock fixing pin through the pin circles. Use a plastic hammer if you are not able to push the pin in by hand. (figure 10)
2. To retract the stock push the retract button and push the stock to the side (figure 11) until it stops at the hook. (figure 12)
3. For shooting bring back the stock in its shooting position by pulling it back until you hear a click noise that indicates the correct position and fixture of the stock. (figure 11)



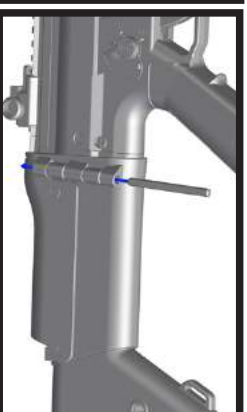
## **Mounting the ISSC MK22 Non-Folding Stock**



Put the cheekpiece on its highest position



Attach the stock on the stock adapter by placing the catch of the button carefully in the appropriate opening on the adapter



Fold the stock into straight position and knock in the pin

## D-05-3: Mounting of the cocking lever - UCAS system

(universal cocking adaption system) - patent pending

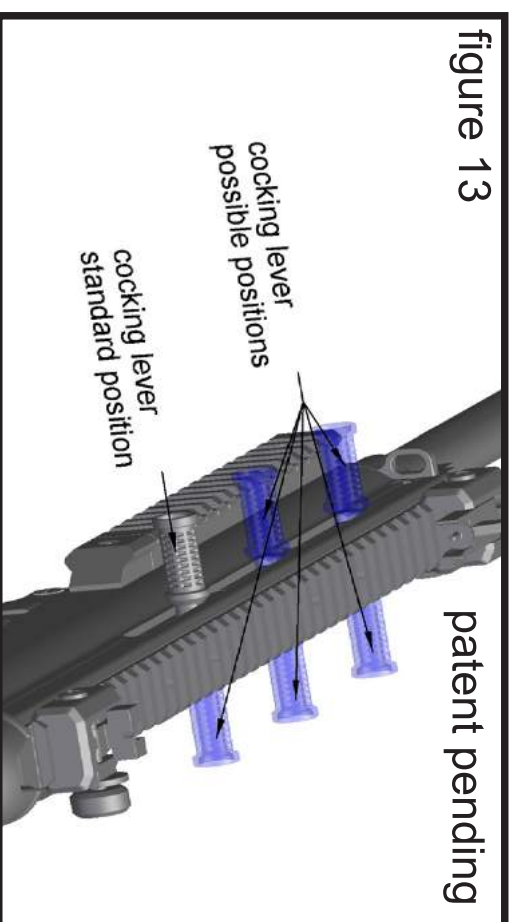
**Before you can use the gun you have to mount the cocking lever.**

You can mount the cocking lever in 6 positions. (3 on the right side and 3 on the left side of the gun.)

Push the cocking lever with it's pin in the cocking lever hole that you want to use.

**To change the position of the cocking lever proceed as follows:**

1. Pull out the cocking lever from the actual position.
2. Put the cocking lever to the position you want and push it in.  
You will hear a click when the cocking lever is fully pushed in and fixed in the gun. (figure 13)



## D-05-4: Adjusting the Rear stock

You can adjust the rear stock of the gun in two ways. You can set the length of the stock and the height of the stock shoulder.

### **Procedure:**

1. You can adjust the rear stock of the gun by pushing the adjusting Button 2 and pulling the stock insert back. The insert of the stock can be pulled out to 3 different positions. Choose the position that is comfortable for you. (figure 14)
2. You can adjust the stock shoulder by pushing the Button 1 and lifting up the stock shoulder. (figure 14)
3. To retract the stock push the retract button and push the stock to the side. (figure 11 page 16)
4. For shooting bring back the stock in its shooting position by pushing it back until you hear a click noise that indicates the correct position and fixture of the stock. (figure 11 page 16)

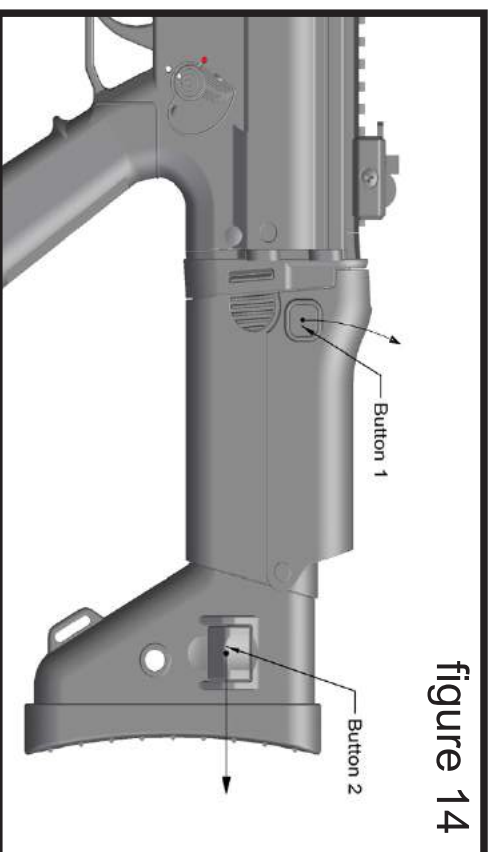
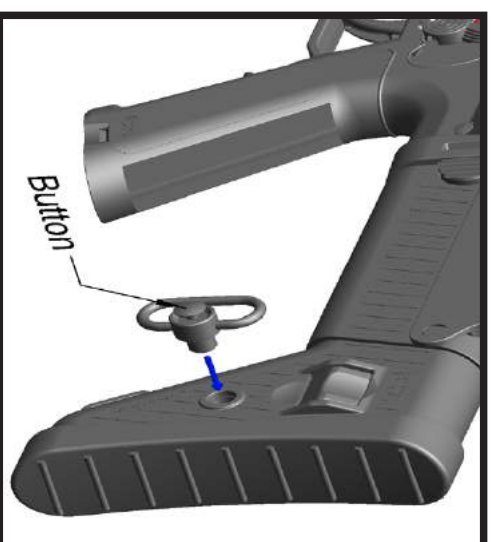


figure 14



Not included in the scope of delivery is a sling buckle, that you can mount to the stock. Ask your dealer for this spare part.

## **D-06: Maintenance:**

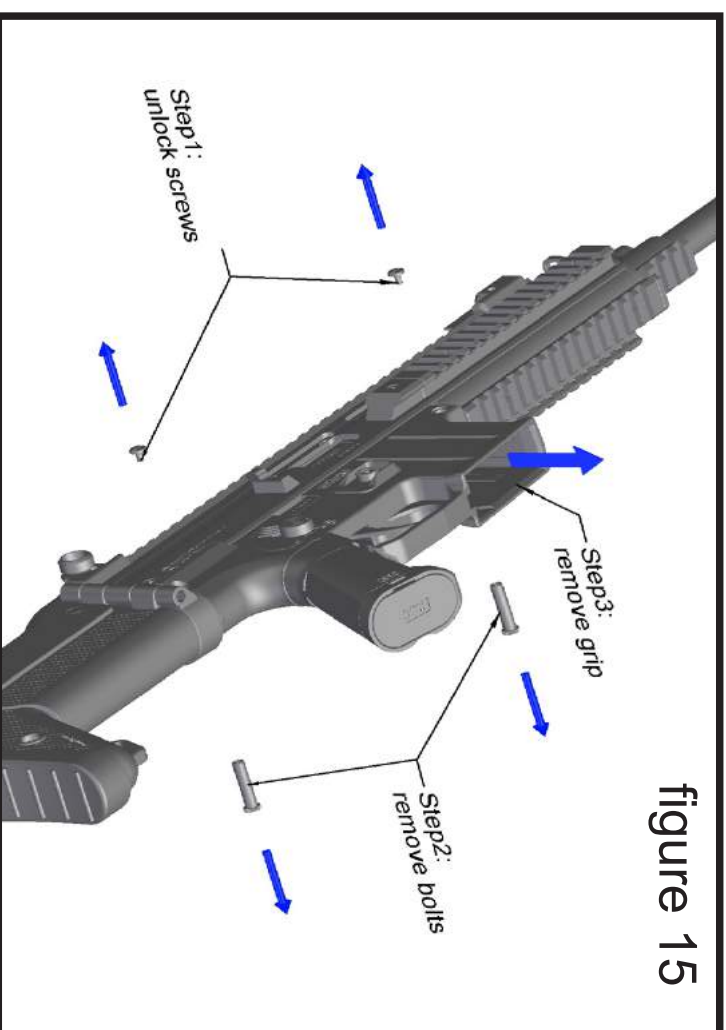
### **D-06-1: Disassembling for cleaning:**

#### **Procedure:**

1. Check, if the gun is decocked and unloaded.
2. Ensure, that the chamber is empty.
3. Turn the gun upside down (figure 15)
4. Remove the grip by unlocking the 2 screws and removing the 2 bolts (figure 15). Remove the grip like shown.

#### **Important Notice:**

We do not recommend that you disassemble your gun further. The cleaning can be done without further disassembling.



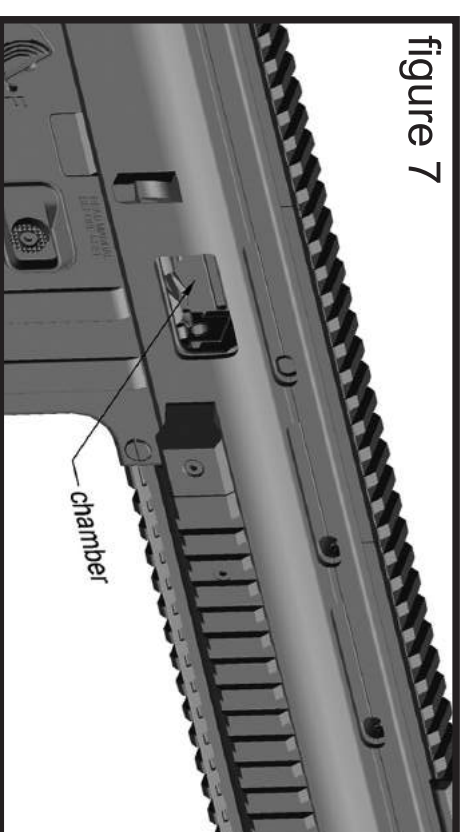
## D -06-2: Cleaning:

### **Notice:**

The previous disassembly instruction is sufficient for cleaning. A further disassembling of the rifle should only to be made by qualified personnel. Do not use a steel brush or any other hard material to clean the barrel. This could damage the flat surface of the barrel. Use only a suitable cleaning rod and brushes of the right caliber. Thinner could damage the surface of the rifle. Before using any cleaner or thinner please note the Advice of the manufacturer.

### **Procedure:**

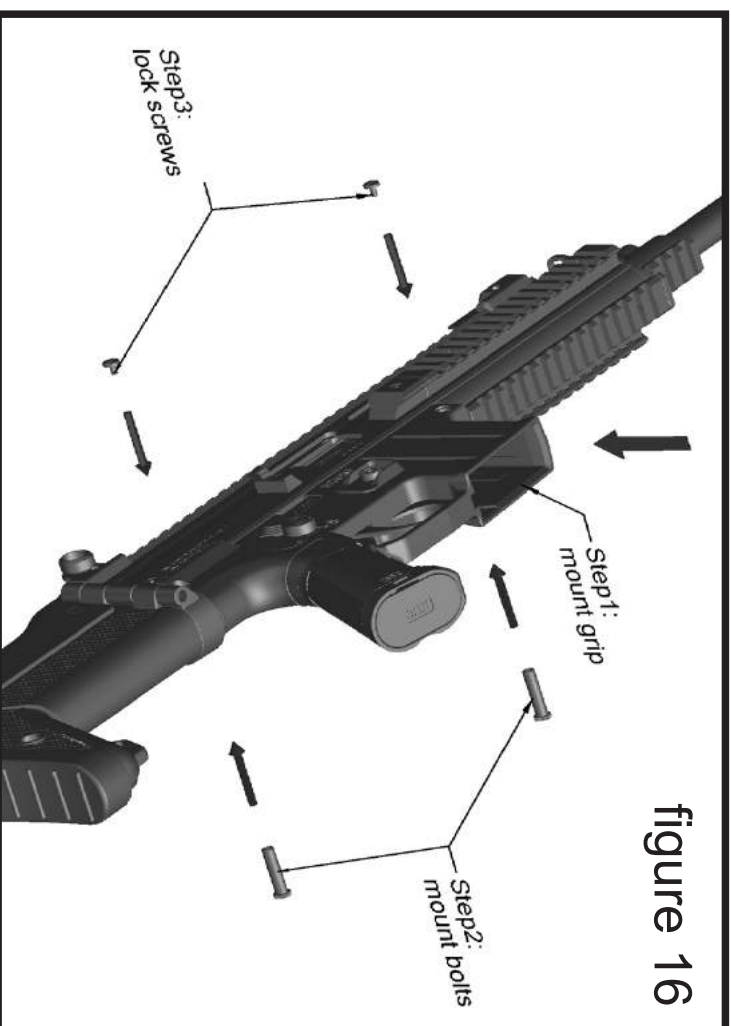
1. Lubricate the cleaning brush with gun oil and insert it into the barrel via the chamber. Use the brush to carefully remove all powder residues and dirt in the barrel and chamber. (figure 7)
2. Wipe powder residues and oil from the barrel bore and chamber with cleaning patches.
3. Remove dirt from guides of breech and breech-block with a brush or a cleaning patch and than wipe down with a cloth impregnated with gun oil or gun grease.
4. Oil the chamber lightly.



## D -06-3: Assembling the gun:

### Procedure:

1. Check, if the gun is decocked and unloaded.
2. Ensure, that the chamber is empty.
3. Turn the gun upside down (figure 16)
4. Put the grip back to it's position in the frame. Assemble the grip by putting in the 2 bolts and locking the 2 screws (figure 16).



## D-06-4: Care of the gun:

### **Notice:**

- ▣ Always keep your gun in immaculate condition and in good working order.
- ▣ Always clean your gun after use.
- ▣ Never modify or repair parts of your gun yourself.
- ▣ Have your gun checked once every 12 months by a qualified gunsmith or armorer because defects, wear, corrosion, etc. are not always visible from the outside.
- ▣ For repairs or service work, however, we recommend that you return the gun to your dealer / importer who always holds a full range of replacement parts in stock.
- ▣ If you order spare parts without returning the gun, you are responsible for ordering the correct part and its correct fitting by a qualified gunmaker or armorer.

## D-06-5: Trouble shooting, fault removal:

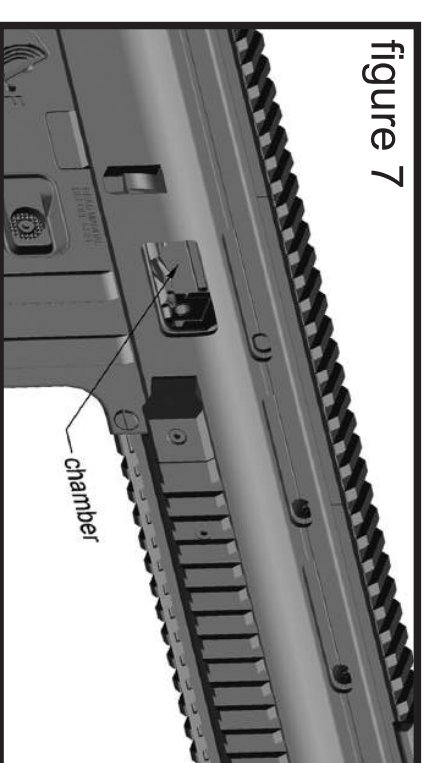
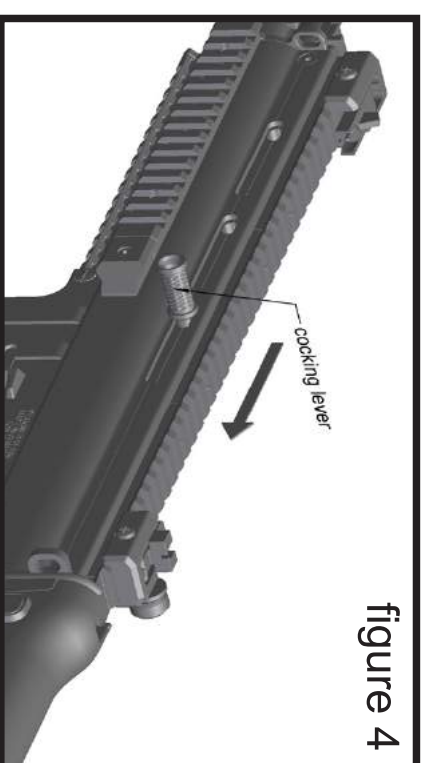
Gun maintenance (cleaning and inspection) according to the instructions can prevent malfunctions. Should nevertheless a malfunction occur during shooting, proceed as follows:

### **Notice:**

**Hold the gun pointed in the firing direction (safe direction) and keep your finger off trigger while you carry out the operations described in the following.**

### **Procedure:**

1. Remove the magazine.
2. Pull the cocking lever back until it stops and hold it in this position. (figure 4)
3. Verify (visually or with a tool) that there is no bullet, round, case or foreign body in the barrel bore or chamber. (figure 7)
4. If a projectile is locked in the bore, strip the rifle and have the blockage removed with a suitable tool by qualified gunsmith.
5. Remove all rounds, cases or foreign bodies.
6. Clean, lubricate and assemble the rifle.
7. Have the gun inspected by a gunsmith or armourer.





## D-06-7: Safekeeping and storage of the gun:

### **Warning:**

- ▣ Always store your gun unloaded and in cleaned condition.
- ▣ Store your gun separately from its ammunition and under lock and key.
- ▣ The gun and ammunition must not be accessible to children and other inexperienced or unauthorized persons.

## D-06-8: Shipping the gun to ISSC:

### **Important notice:**

The ISSC website has instructions for returning a gun for service. ISSC will not accept any gun without prior authorization.

## D-06-9: Disposal:

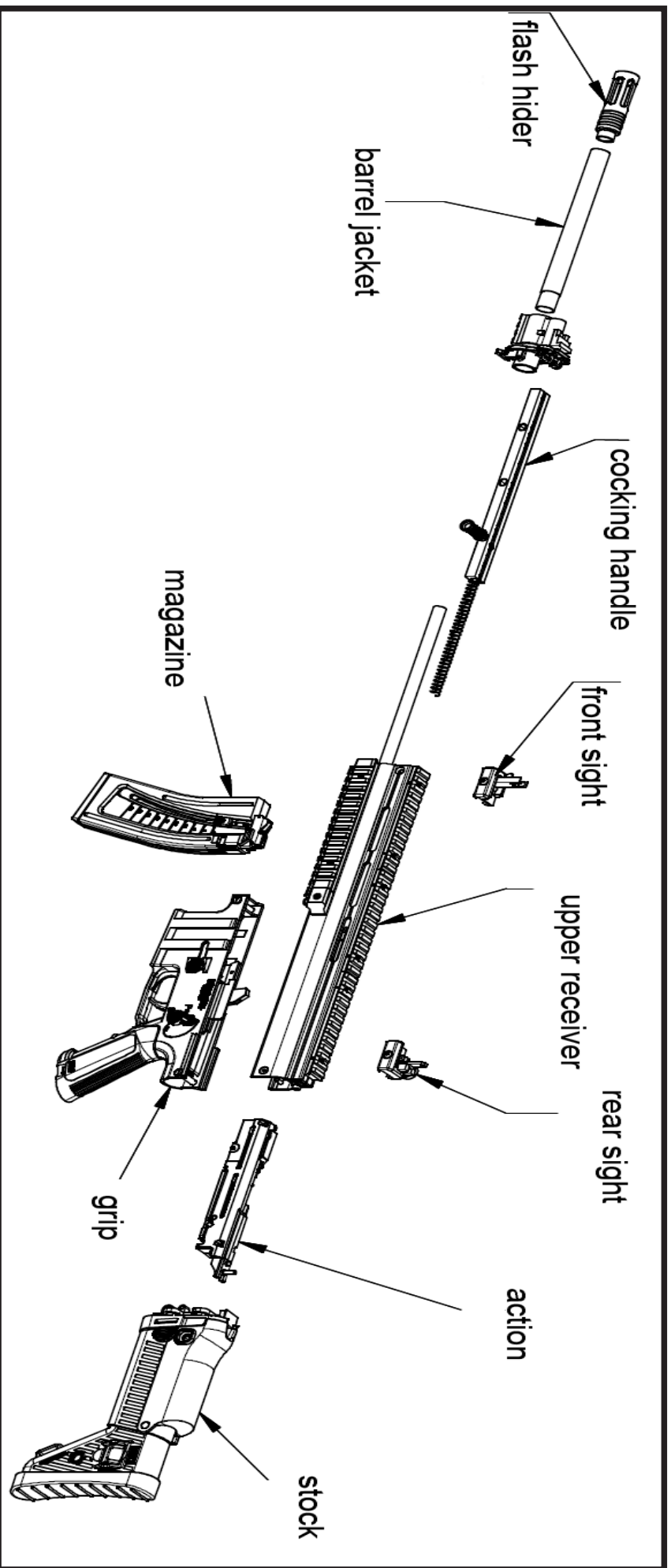
- ▣ Strictly observe any current national legislation governing the disposal of handguns.
- ▣ When shipping the gun, strictly observe the instructions listed under Sect. D-06-8

## D-06-10: Accessories: (find it under the ISSC website)

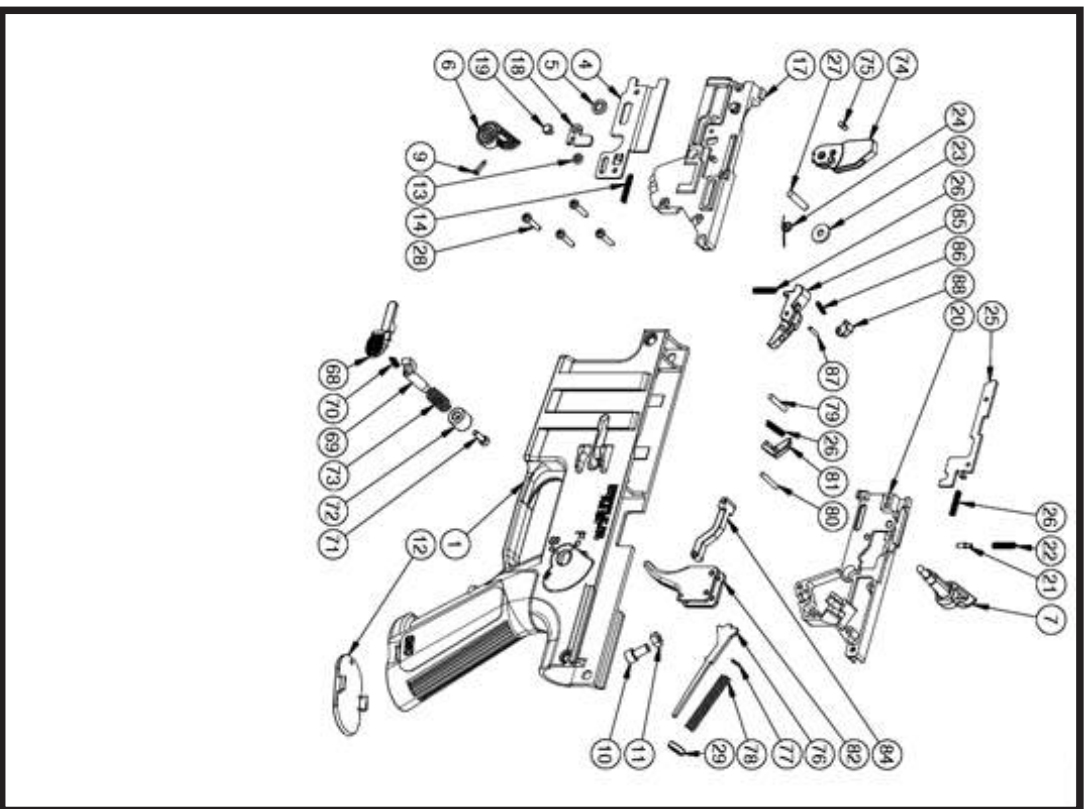
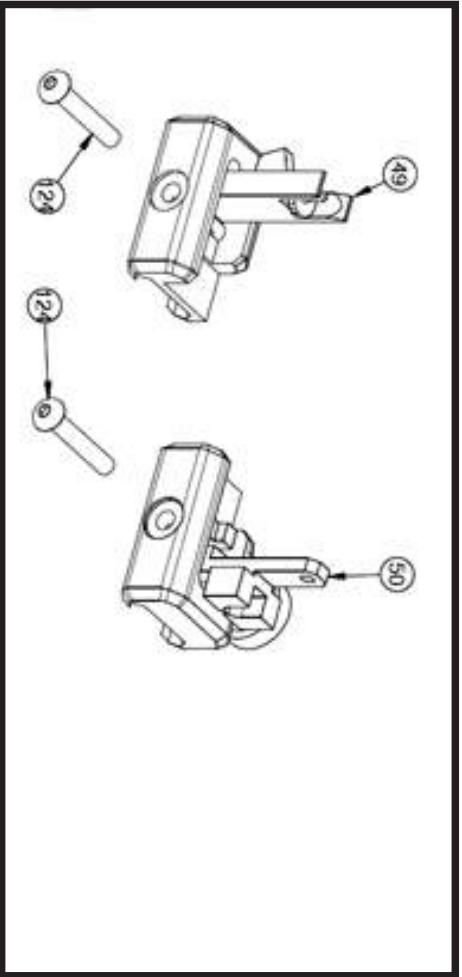
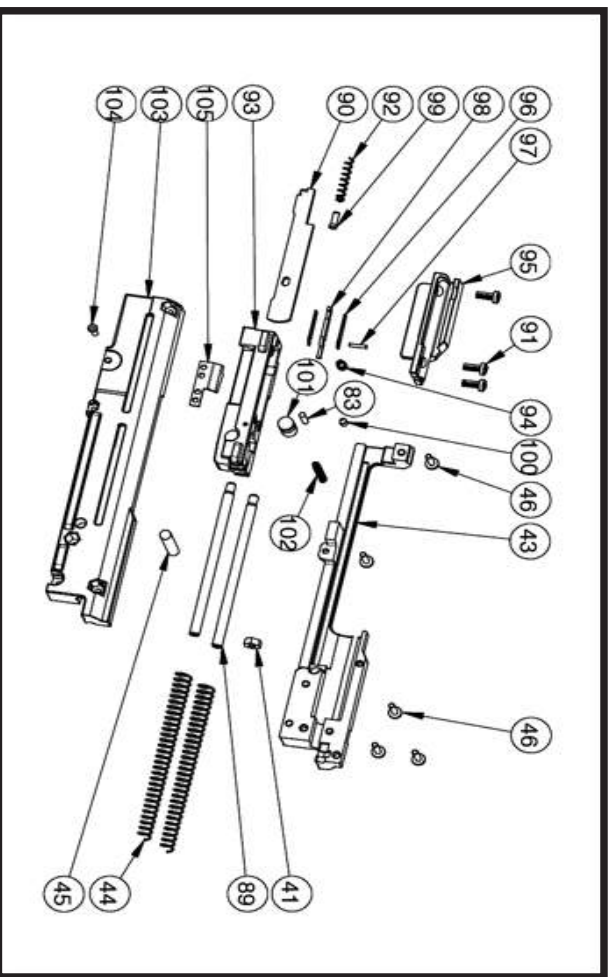
Essential information when ordering accessories or spare parts from your dealer/service department in your country.

- ▣ Gun Model (caliber, designation)
- ▣ Gun serial number
- ▣ Item number and index

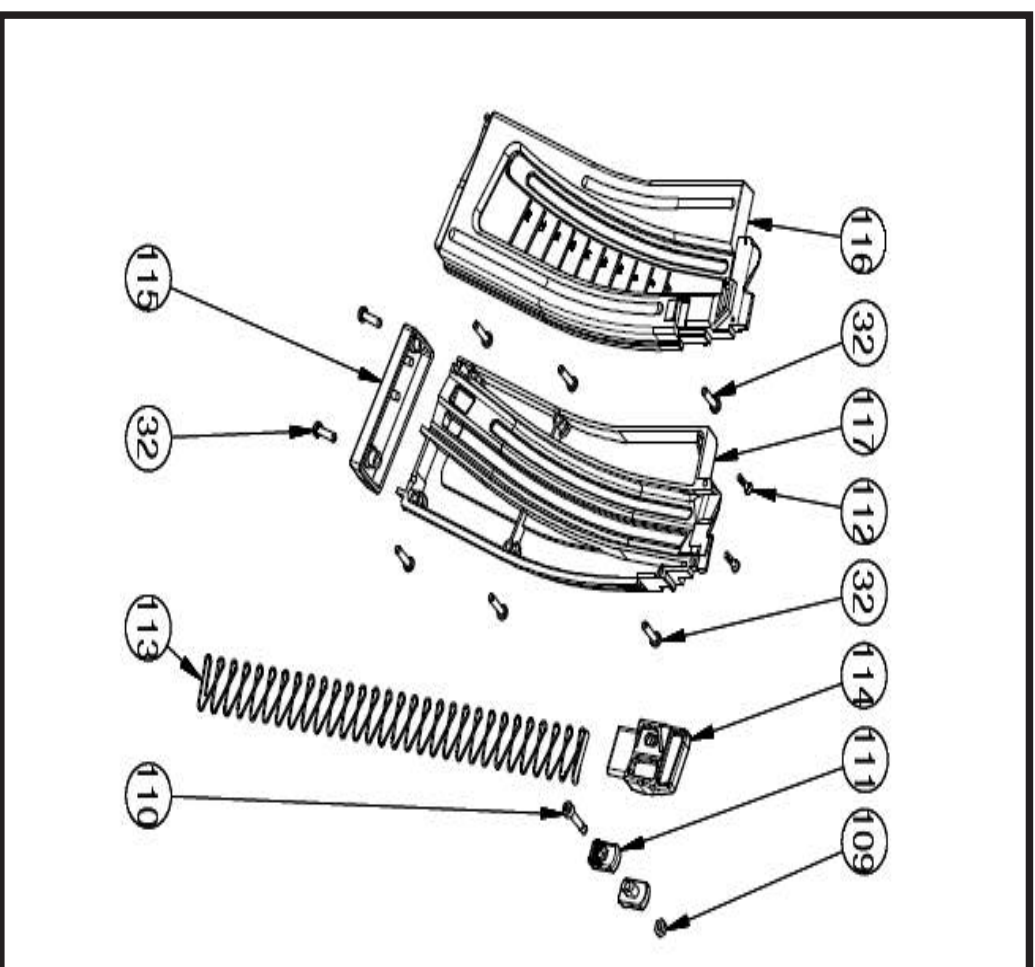
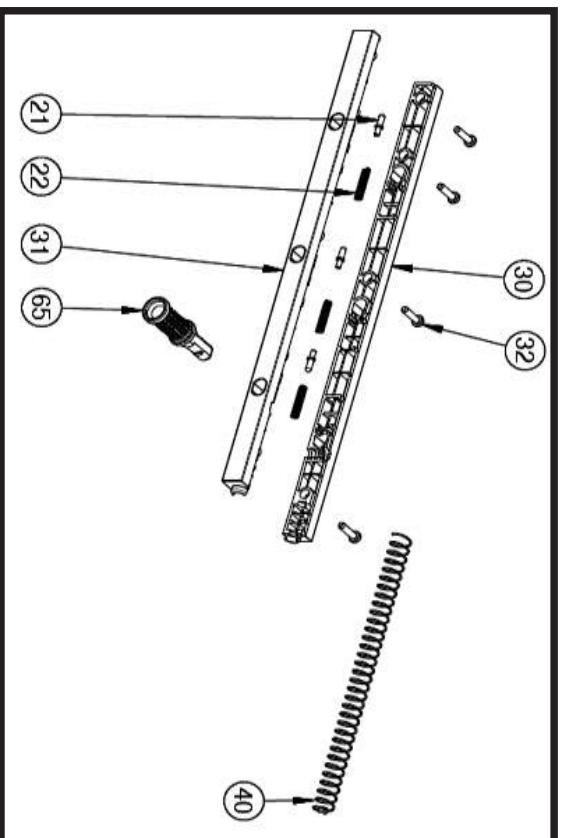
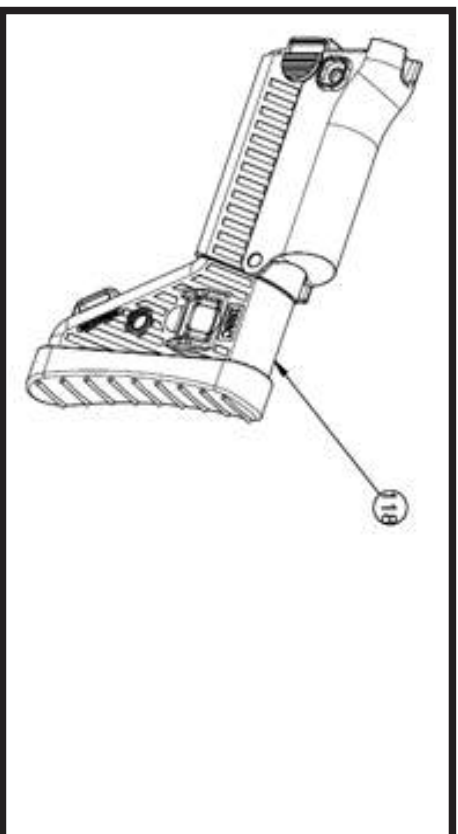
## D-07: Main Parts / Assembly groups:



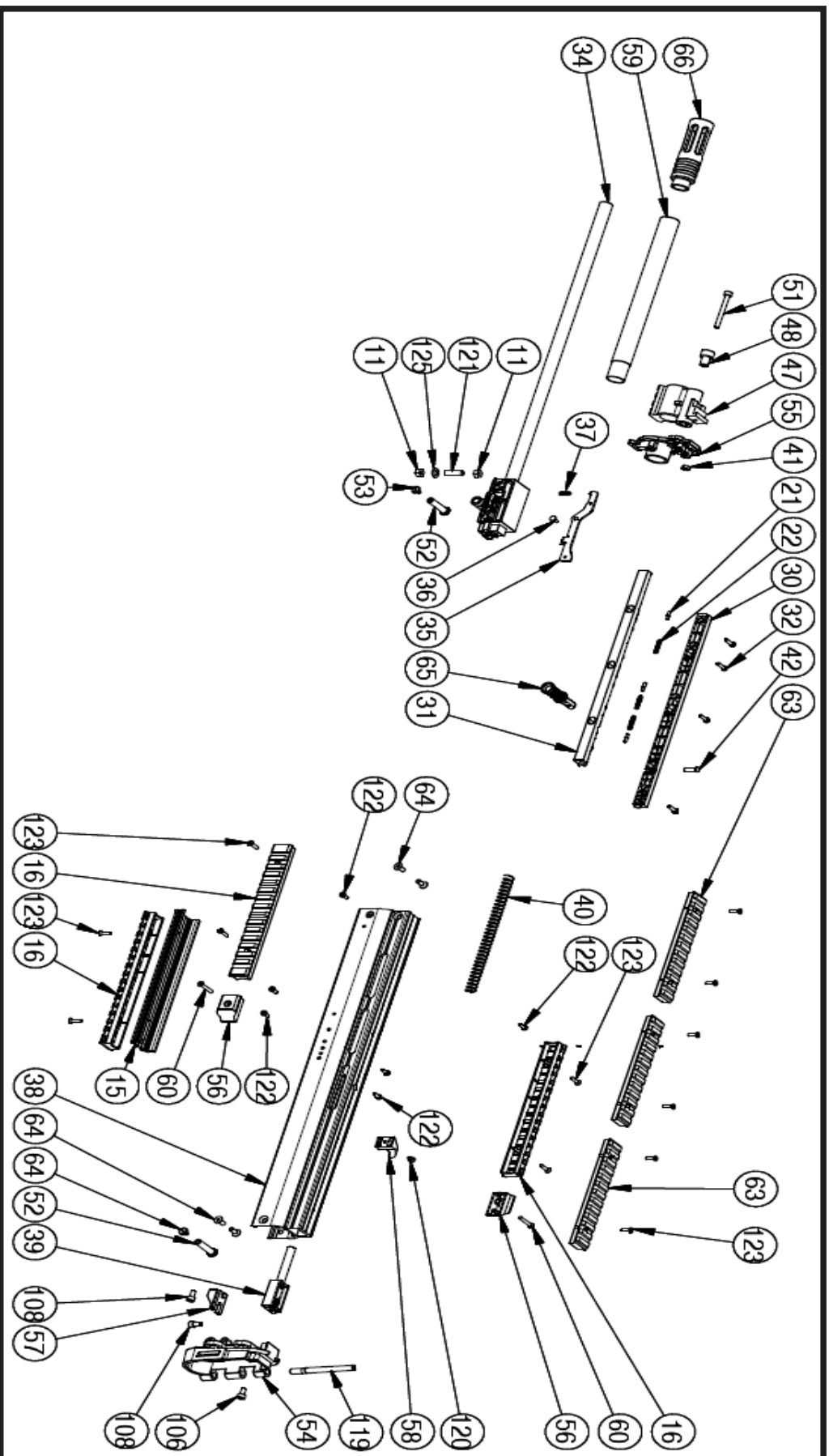
## D-07-01: Explosion drawing / spare parts MSR MK22:



## D-07-01: Explosion drawing / spare parts MSR MK22:



## D-07-01: Explosion drawing / spare parts MSR MK22:



## D-07-01: Explosion drawing / spare parts MSR MK22:

Pos.	Description	Pos.	Description	Pos.	Description
1	Receiver	42	Tappet	84	Trigger bar
2	Globe red	43	Breach Bolt Carrier Right	85	Sear Housing
3	Globe white	44	Pressure spring 0,7x5,7x90	86	Sear spring
4	Trigger return plate	45	Breach bolt carrier Locator pin	87	Sear pin
5	Trigger Housing / Spacer Washer large	46	Bolt carrier screw front	88	Sear
6	Safety Lever left	47	Front sight carrier	89	Bold return spring guide
7	Safety lever right	48	Sleeve	90	Firing pin
8	Globe yellow	49	Front sight MK22	91	Bolt cover screw
9	Safety screw	50	Rear sight MK22	92	Firing pin spring
10	Trigger Housing Bolt	51	DIN912 M4x40 Allen Head Screw	93	Breach bolt
11	Trigger Housing nut DIN 934	52	Stock Bolt	94	Pressure spring 0,6x3,5x4,9
12	Cover Forgrip	53	Stock Bold screw	95	Breach Bolt cover
13	Trigger Housing / Spacer Washer small	54	Adapter for Buttstock	96	Distance plate
14	Pressure spring 0,5x2,9x18,5	55	Housing Completion	97	Pin 1,5x8 DIN 1472
15	Housing Cover Bottom	56	Stopper	98	Extractor
16	Picatinny Rail	57	Degree angle	99	Firing Pin spring plunger
17	Trigger Plate Left	58	Shaft Interlocksystem	100	Grubscrew M3x5 DIN914
18	Trigger Return Lever	59	Threaded sleeve	101	Firing pin stop
19	bolt	60	DIN7991 M3x20 Countersunk	102	Firing pin stop spring
20	Trigger plate right	63	Picatinny Rail Top	103	Breach Bolt carrier left
21	Safety spring plunger	64	DIN7991 M4x10 screw	104	Hollow rivet
22	Safety spring	65	Lever	105	Ejector
23	Hammer Pivot Washer	66	Flash Hider	106	DIN912 M4x8 Allen Head screw
24	Hammer return spring	67	DIN7991 M3x12 Countersunk	108	Hexagon socket screw M4x12
25	Magazine safety	68	Magazine Catch	109	Nut M3 DIN934
26	Sear and magazine safety spring	69	Rod Magazine	110	Magazine Thumb Piece screw
27	Hammer Povot pin	70	Magazine Catch	111	Feeder thumb piece
28	Pistol Grip Cap screws	71	Magazine Catch spring	112	Screw Torx 2,2x10
29	Hammer Strut Washer large	72	Magazine Catch button	113	Magazine Spring
30	Cocking Lever right side	73	Spring for counter	114	Feeder
31	Cocking Lever left side	74	Hammer	115	Magazine Base
32	KN 6039 STS Plus 3,0x12-T-10	75	Sear Housing Pin	116	Magazine left side
34	Breach Block with Barrel Processing 2	76	Hammer strut	117	Magazine right side
35	Bold stop	77	Hammer strut washer small	118	Buttstock MK22
36	Axis for slide stop	78	Hammer spring	119	Pin for foulding stock
37	Bolt stop spring	79	Trigger pin	120	Flat Head screw M3x6
38	Receiver	80	Disconnector pin	121	Barrel Lock stud
39	Holder for spring guide rod	81	Disconnector	122	Screw 3,0x8-T-10
40	Spring	82	Trigger	123	Screw DIN7991 M3x10
41	Bolt carrier stop Block nut	83	Trigger Bar & Firing pin retainer pin	124	Screw DIN7380 M4x25
				125	DIN6798 washer M5

# ISSC MSR MODERN SPORTING RIFLE MK22

## Manufacturer:

ISSC Handels GmbH

Furt 43

4754 Andrichsfurt

Austria

[www.issc.at](http://www.issc.at)

[office@issc.at](mailto:office@issc.at)

phone: +43 7750 38426

fax: +43 7750 38426-60



# ISSC

Modern Sporting Rifle™

