



**Trijicon®**

# Iron Sights

## THE FIRST CHOICE OF PROFESSIONALS

There's a reason so many Trijicon® iron sights are trusted by local, state and federal law enforcement agencies, as well as the most discerning pistol sports shooters on the planet: they're designed for faster target acquisition in any lighting situation, as well as designed to take on abuse and still operate with precision. Upgrade your iron sights with proven, superior aiming technology.

# IRON SIGHTS



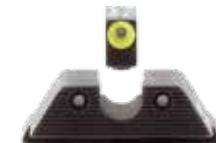
**Trijicon®  
Fiber Sights**



**Bright & Tough™  
Night Sights**



**Bright & Tough™  
Suppressor Night Sights**



**HD™ Night Sights**



**HD XR™  
Night Sights**

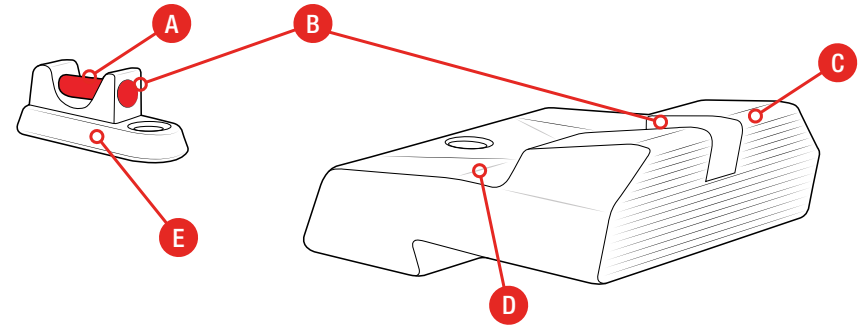


**TrijiDot® Fiber Optic  
Shotgun Sights**

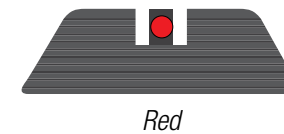
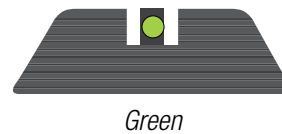
Firearm Manufacturers	Trijicon® Fiber Sights	Bright & Tough™ Night Sights	Bright & Tough™ Suppressor Sights	HD™ Night Sights	HD XR™ Night Sights
1911	✓	✓		✓	
AR15/M16		✓			
Beretta		✓		✓	✓
Browning		✓			
Colt		✓		✓	
CZ	✓	✓			✓
Desert Eagle		✓			
Firestar		✓			
FN America	✓	✓	✓	✓	✓
Glock	✓	✓	✓	✓	✓
H&K	✓	✓	✓	✓	✓
Kimber		✓			
Remington		✓		✓	
Ruger		✓		✓	
Sig Sauer	✓	✓	✓	✓	✓
Smith & Wesson	✓	✓	✓	✓	✓
Springfield Armory	✓	✓	✓	✓	✓
Steyr-Mannlicher		✓			
Taurus		✓			
Walther	✓	✓		✓	

## Features and Benefits

- A Highly Visible Front Sight**  
A bright front post fiber (.060 in. diameter) combined with a subdued rear sight promotes acquisition of front sight and target.
- B Clear, Precise Sight Picture**  
The .110 in. width front post and .125 in. wide rear notch allow for a refined sight picture in a variety of shooting environments.
- C Comfortable to Conceal**  
Rounded edges of rear sight reduce snag points for improved comfort while carrying.
- D One-Handed Manipulation**  
Steeply hooked front surface of rear sight assists in emergency one-handed slide manipulations.
- E Withstands Rigorous, Everyday Pistol Use**  
Using leading-edge Trijicon® fiber optic materials and decades of iron sight development, this sight is designed to withstand rigorous shooting, holstering and rough slide handling.



### Available Fiber Colors:



Trijicon® Fiber Sights come from the factory with a red fiber preinstalled on the front sight, along with additional red and green fiber replacements. Additional fiber replacements are available for purchase.

# Trijicon Bright & Tough™ Night Sights

## Features and Benefits

### A Visible Sight Picture In No-Light/Low-Light Situations

Tritium phosphor-filled glass lamp provides battery-free glow for a visible sight picture in all lighting situations.

### B Enhanced Protection from Heavy Recoil and Harsh Cleaning Solvents

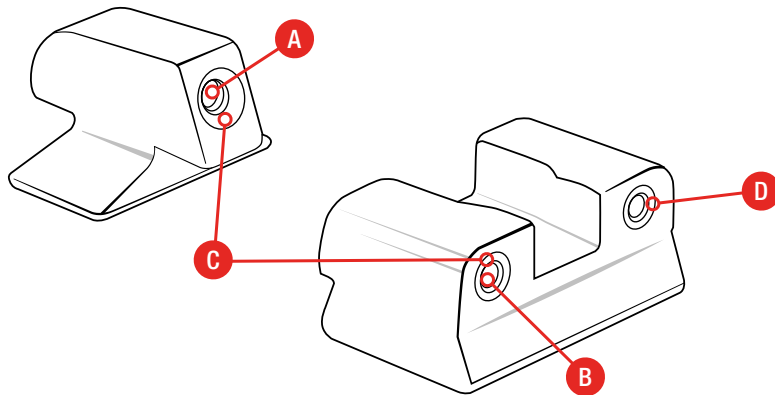
Tritium gas lamps are contained within protective aluminum sleeve cushioned with silicone for maximum durability and are capped with a sapphire jewel to protect the lamp from puncture and solvents.

### C Daylight Dot Visibility

White-painted rings around tritium lamps enhance user's ability to see sight picture in bright-light shooting situations.

### D Evenly Distributes Light From Tritium Lamps

Each Trijicon tritium lamp is capped with a sapphire jewel that helps evenly distribute the light, providing a uniform brightness for crisp, clear low-light performance.



### Color Combinations:



Front: White Outline / Green Lamp  
Rear: White Outline / Green Lamps



Front: White Outline / Green Lamp  
Rear: White Outline / Yellow Lamps



Front: White Outline / Green Lamp  
Rear: White Outline / Orange Lamps

# Trijicon Bright & Tough™ Suppressor Night Sights

## Features and Benefits

### A Increased Height To Accommodate Multiple Applications

Specifically engineered to be as robust as possible while still allowing use with a suppressor or as backup iron sights for a slide-mounted red dot sight, such as the Trijicon RMR® or Trijicon SRO®.

### B Instant Sight Picture in No-Light and Low-Light Situations

Tritium phosphor-filled glass lamp provides battery-free glow, allowing for a visible sight picture in all lighting situations.

### C Increased Daylight Dot Visibility

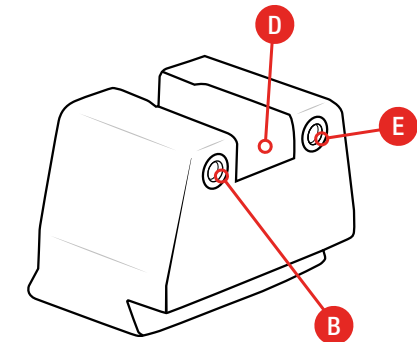
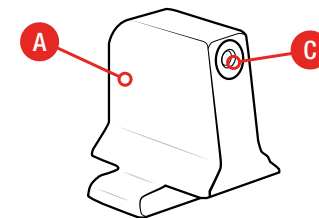
White-painted rings around tritium lamps enhance user's ability to see sight picture in bright-light shooting situations.

### D Enhanced Protection from Heavy Recoil and Harsh Cleaning Solvents

Tritium gas lamps are contained within protective aluminum cylinders cushioned with silicone for maximum durability and are capped with a sapphire jewel to protect the lamp from puncture and solvents.

### E Evenly Distributed Light From Tritium Lamps

Each Trijicon tritium lamp is capped with a sapphire jewel that helps evenly distribute the light, providing a uniform brightness for crisp, clear low-light performance.



### Glock® Color Combinations:



Front: White Outline  
Rear: White Outline



Front: Black Outline  
Rear: Black Outline



Front: White Outline  
Rear: Black Outline

### All Other Manufacturer Color Combinations:



Front: White Outline / Green Lamp  
Rear: White Outline / Green Lamps

### Tritium Color Combinations:



Front: Green Lamp  
Rear: Green Lamps



Front: Green Lamp  
Rear: Yellow Lamps



Front: Green Lamp  
Rear: Orange Lamps

# Trijicon HD™ Night Sights

## Features and Benefits

**A Enhanced Front-Sight Acquisition In Bright, Transitional, and No-Light Situations**

Glow-in-the-dark, photoluminescent-painted front outline combines with a “U” notch rear and black-painted rear outlines to quickly draw your eye to the front post in all lighting conditions.

**B Evenly Distributed Light From Tritium Lamps**

Each Trijicon® tritium lamp is capped with a sapphire jewel that helps evenly distribute the light, providing a uniform brightness for crisp, clear low-light performance.

**C Visible Sight Picture In No-Light and Low-Light Situations**

Tritium phosphor-filled glass lamp illuminates sights for high visibility in all lighting situations.

**D One-Handed Slide Manipulation**

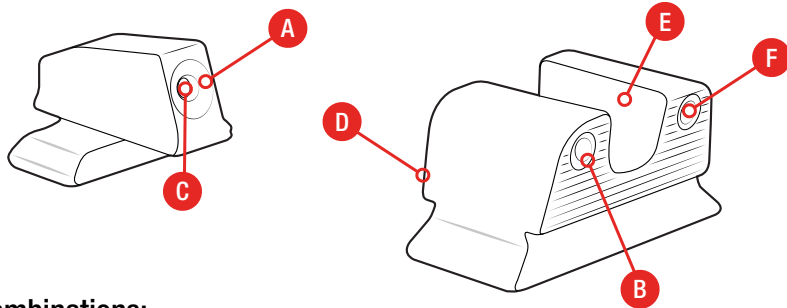
Steeply hooked front surface of rear sight to assist in emergency, one-handed slide manipulation.

**E Enhanced Protection from Heavy Recoil and Harsh Cleaning Solvents**

Tritium gas lamps are contained within protective aluminum cylinders cushioned with silicone for maximum durability and are capped with a sapphire jewel to protect the lamp from puncture and solvents.

**F Evenly Distributed Light From Tritium Lamps**

Each Trijicon® tritium lamp is capped with a sapphire jewel that helps evenly distribute the light, providing a uniform brightness for crisp, clear low-light performance.



**Color Combinations:**



Front: Yellow Outline / Green Lamp  
Rear: Black Outline / Green Lamps



Front: Orange Outline / Green Lamp  
Rear: Black Outline / Green Lamps

# Trijicon HD XR™ Night Sights

## Features and Benefits

**A Expanded Field of View and a Precision Sight Picture for Longer-Range Engagements**

Thin front post (.122 in. width) promotes a larger field of view for fast target identification and engagement at longer distances.

**B Visible Sight Picture in No-Light and Low-Light Situations**

Tritium phosphor-filled glass lamp illuminates sights for high visibility in all lighting situations.

**C Enhanced Protection From Heavy Recoil and Harsh Cleaning Solvents**

Tritium gas lamps are contained within protective aluminum cylinders and have additional silicone rubber cushioning.

**D Enhanced Front-Sight Acquisition in Bright, Transitional, and No-Light Situations**

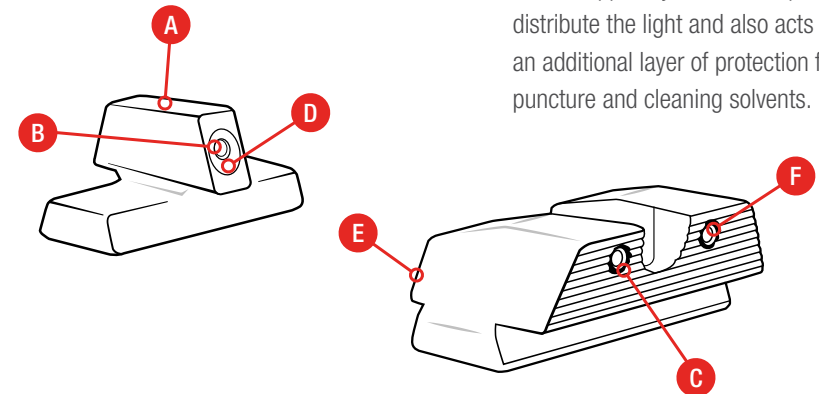
Glow-in-the-dark, photoluminescent-painted front outline combines with a “U” notch rear and black-painted rear outlines to quickly draw your eye to the front post in all lighting conditions.

**E One-Handed Slide Manipulation**

Steeply hooked front surface to assist in emergency, one-handed slide manipulation.

**F Evenly Distributed Light From Tritium Lamps**

Each Trijicon® tritium lamp is capped with a sapphire jewel that helps evenly distribute the light and also acts as an additional layer of protection from puncture and cleaning solvents.



**Color Combinations:**



Front: Yellow Outline / Green Lamp  
Rear: Black Outline / Green Lamps



Front: Orange Outline / Green Lamp  
Rear: Black Outline / Green Lamps

# Trijicon® Iron Sights Comparison Guide



	Fiber	Bright & Tough™
Features	<ul style="list-style-type: none"> <li>• Exceptional daylight visibility for enhanced sight and target acquisition.</li> <li>• Precise sight picture for engagements past CQB distances.</li> <li>• One-handed slide manipulation assistance.</li> </ul>	<ul style="list-style-type: none"> <li>• The original tritium-illuminated night sight solution.</li> <li>• Provides sight picture in all lighting conditions.</li> </ul>
Tritium Phosphor-Filled Lamps		✓
Protective Aluminum Sleeves with Silicone Rubber Cushioning		✓
Sapphire Jewel for Evenly Distributed Light		✓
Fiber Optic Illuminated Front Post	✓	
Enhanced Daylight Brightness	✓	
“Square” Notch Rear Sight	✓	✓
“U” Notch Rear Sight		
Increased Height (for Compatability with Suppressors and Pistol-Mounted Red Dot Sights)		
Glow-In-The-Dark Painted Front Sight Outline		
Steeply Hooked Rear Sight	✓	
Thin Front Post	✓	
Trijicon® Tritium Warranty		✓

	Bright & Tough™ Suppressor	HD™	HD XR™
Features	<ul style="list-style-type: none"> <li>• Optimized for use with suppressors and pistol-mounted red dot sights.</li> <li>• Provides sight picture in all lighting conditions.</li> </ul>	<ul style="list-style-type: none"> <li>• Enhanced front sight acquisition in all lighting conditions.</li> <li>• Optimized sight picture for transitional lighting.</li> <li>• One-handed slide manipulation assistance.</li> </ul>	<ul style="list-style-type: none"> <li>• More precise sight picture for longer engagements.</li> <li>• Enhanced front sight acquisition in all lighting conditions.</li> <li>• Optimized sight picture for transitional lighting.</li> <li>• One handed slide manipulation assistance.</li> </ul>
Tritium Phosphor-Filled Lamps	✓	✓	✓
Protective Aluminum Sleeves with Silicone Rubber Cushioning	✓	✓	✓
Sapphire Jewel for Evenly Distributed Light	✓	✓	✓
Fiber Optic Illuminated Front Post			
Enhanced Daylight Brightness		✓	✓
“Square” Notch Rear Sight	✓		
“U” Notch Rear Sight		✓	✓
Increased Height (for Compatability with Suppressors and Pistol-Mounted Red Dot Sights)	✓		
Glow-In-The-Dark Painted Front Sight Outline		✓	✓
Steeply Hooked Rear Sight		✓	✓
Thin Front Post			✓
Trijicon® Tritium Warranty	✓	✓	✓





**Trijicon**

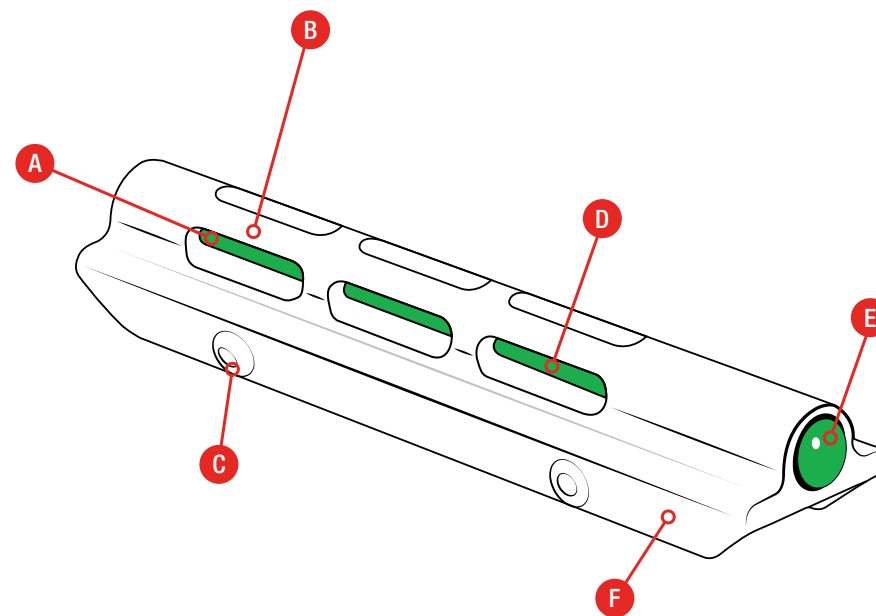
# TrijiDot® Fiber Optic Shotgun Sights

## AIM WITH CONFIDENCE

The TrijiDot® is a fiber optic shotgun sight. The fiber optic collects ambient light while a rugged sapphire lens magnifies and focuses the light, resulting in a bright aiming point for a wide range of lighting conditions.

## Features and Benefits

- A Fiber Optic Technology**  
Collects ambient light to provide a brilliant aiming point in most lighting conditions.
- B Anodized Aircraft-Grade Aluminum**  
Robust fiber optic protection.
- C Secure Notched Mount**  
Fits over existing bead sight and locks in place with four set screws.
- D Large Bead Sight**  
0.157 in./4.0mm bead diameter allows for quick target acquisition.
- E Rugged Sapphire Lens**  
Magnifies and focuses light from fiber optic.
- F Shock Resistant**  
Withstands all shotgun recoils.





## Models





### Available Fiber Colors:





#### Shotgun Fiber Optic Bead Sight for .210 – .280 in. wide ribs

Black:  SH01-R  SH01-G

#### Shotgun Fiber Optic Bead Sight for .265 – .335 in. wide ribs

Black:  SH02-R  SH02-G

#### Shotgun Fiber Optic Bead Sight for .325 – .395 in. wide ribs

Black:  SH03-R  SH03-G



MAGNIFIED

REFLEX

IRON SIGHTS

ELECTRO OPTICS

ARCHERY