



# STEALTH CAM<sup>®</sup>

Digital Scouting Cameras



## STC-PXV26 Instruction Manual

## Notice

To ensure the product is being utilized to its full potential, we recommend checking our website for new product updates. If your camera is having an issue, please check our website to determine you are using the latest firmware or software version.

## Contact Us

---

TECHNICAL SUPPORT

EMAIL:

**[stealthcam@gsmorg.com](mailto:stealthcam@gsmorg.com)**

**Please allow 48 hours for email response.**

GSM, LLC

**P.O. Box 535189**

**Grand Prairie, TX 75053-9504**

CUSTOMER SERVICE

CONTACT & HOURS

**Toll Free: 877-269-8490**

CALL CENTER HOURS

**Mon – Fri / 8 AM – 5 PM (CST)**

WEBSITE

**[www.stealthcam.com](http://www.stealthcam.com)**

## Table of Contents

About Your Camera	4
Quick Setup Guide	5
Camera Overview	6
Camera Setup	8
Camera Configuration	9
Viewing and Deleting Images	13
Frequently Asked Questions	14
Camera Care	15
FCC COMPLIANCE	16
Limited Warranty Information	17

## About Your Camera



### 80 Foot Detection and Flash Range

See farther with long-distance PIR sensor and LEDs.



### 0.4 Second Trigger Speed

Never miss a shot with lightning fast 0.4 second trigger speed.



### Intuitive Menu

Newly designed intuitive menu allows changing settings with incredible ease.



### Burst Rapid-Fire Mode

Rapid-fire Burst Mode, multiple exposures per triggering.



### 18 IR LEDs

Perfectly illuminate your nighttime photos with 18 IR LED lights.

## Quick Setup Guide



### Insert Batteries and SD Card

Install 8 AA batteries and a class 10 SD card into camera.

---



### Mount Camera

Mount the camera at the desired location using the strap mount, Python Lock cable, Articulating Ball Joint Mount, or other desired mounting mechanism. Position the camera so that it does not face East or West directly as the rising and setting of the sun can cause false positive triggers.

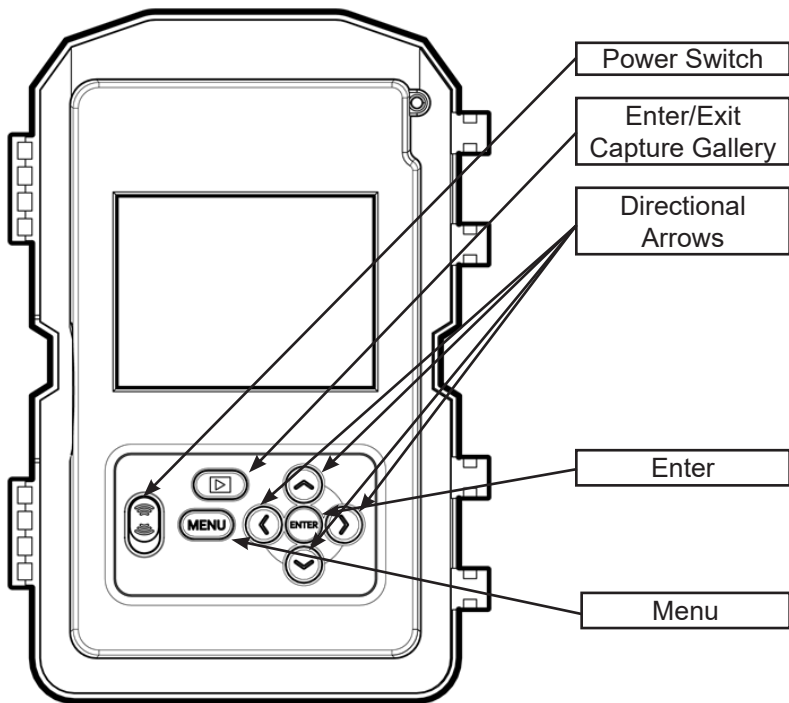
---



### Activate Camera

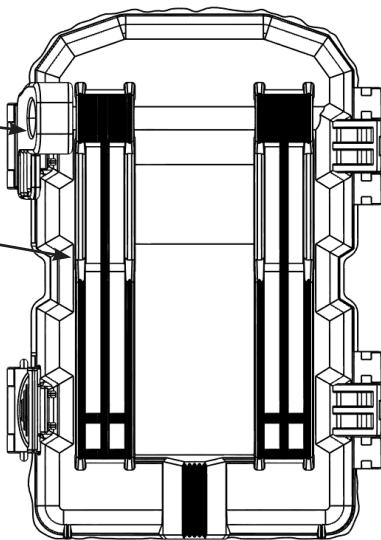
Camera comes with our most popular settings as default, or customize your configuration and place in desired vantage point to start capturing photos of game.

## Camera Overview



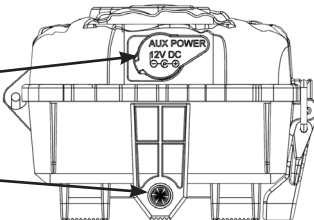
Python Cable  
Lock

Strap Mounts



12V Aux  
Power Port

Universal  
1/4 - 20 thread



## Camera Setup



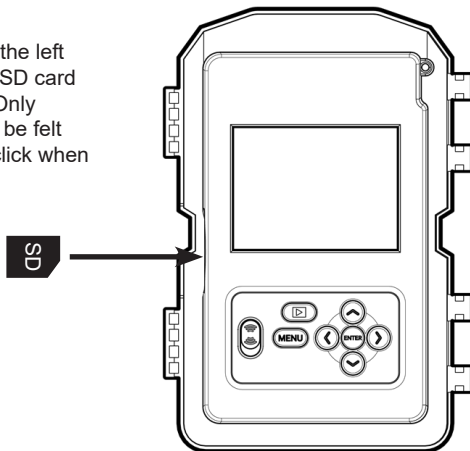
### Battery Installation

Battery pane is located on right side of unit, insert 8 AA batteries into camera, being careful to match the orientation marked on your camera. After batteries are inserted, power on camera to begin normal use.



### SD Card Installation

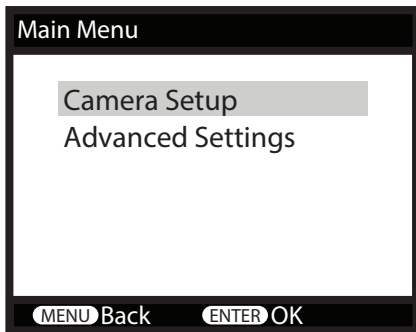
SD card slot is located on the left side of the camera. Insert SD card with the label facing you. Only minimal resistance should be felt as card is inserted and a click when the card is fully inserted.





## Camera Configuration

To access camera configuration, press the **Menu** button on your camera. When you are finished adjusting camera settings, press **Menu** once again to return the camera to an active state.



The settings on your camera are broken down into two sections Camera Settings and Advanced Setup. Use the directional arrows to highlight the section you wish to edit, and press **Enter** to enter into the menu. Settings available in each section detailed ahead.

## Camera Configuration

The **Camera Setup & Advanced Settings** sections in your camera allows you to customize every setting to fit your exact needs. To begin, press the **Menu** button on the camera.

Once inside the settings menu, use the **Up** and **Down** arrows to scroll through the different settings. To change a setting that is highlighted, press the **Enter** key and the options for the setting will be displayed. At this point use the **Up** and **Down** arrows to change the setting. When finished press the **Enter** button to save the change or press **Menu** to cancel change.

When you are finished configuring your camera's settings, press the **Menu** button to return your camera to an active state.

## Camera Setup

**MODE:** This setting dictates how your camera will operate.

**OPTIONS:** PIR Photo | PIR Video | Time Lapse

**PHOTO RESOLUTION:** This setting will determine the quality of each image. A higher quality will result in better photos and take more memory space.

**OPTIONS:** 4 MP | 8 MP | 12 MP | 26 MP

**Note:** This setting is only applicable in photo mode. Photo settings will apply in Time Lapse Mode

**PHOTO BURST:** This setting determines how many photos are taken each time the camera is activated.

**OPTIONS:** 1 photo – 6 photos

**Note:** This setting is only applicable in photo mode.

**PIR DELAY:** This setting is used to determine how long the camera will wait before reinitializing the PIR sensor after taking a photo.

**OPTIONS:** 5 sec | 10 sec | 15 sec | 30 sec | 60 sec

**VIDEO RESOLUTION:** This setting will determine the quality of each video. A higher quality will result in better videos and take more memory space.

**OPTIONS:** 640 x 360 | 1280 x 720

**Note:** This setting is only applicable in video mode.

**OPERATIONAL HOURS:** This feature allows you to designate a time for the camera to be active.

**OPTIONS:**

**Always On:** Camera is always on

**SCHEDULED:** Selecting this will allow you to enter a time range for the camera to be active and operational. Camera will not take photos outside of defined time range.

**START TIME (HH:MM):** Start time for camera to be active

**END TIME (HH:MM):** Time at which you want the camera to no longer be active

**VIDEO LENGTH:** This setting is used to determine the length of time, in seconds, of a video recording

**OPTIONS:** 5 sec | 10 sec | 15 sec | 20 sec | 25 sec | 30 sec

**Note:** This setting is only applicable in video mode.

**TIME LAPSE (TL) DELAY:** This setting will adjust the length of time between each photo taken during the time lapse.

**OPTIONS:** 00 min 05 sec - 59 min 59 sec

**TL START:** This setting is used to determine the start time of the time lapse.

**TL STOP:** This setting is used to determine the end time of the time lapse.

## Advanced Settings

**SET DATE:** This setting is used by the camera to display the correct date on the Info Bar of the image.

**SET TIME:** This setting is used by the camera to display the correct time on the Info Bar of the image.

**TIME ZONE** This setting allows you to set your camera to different time zones.

**OPTIONS:** Eastern | Central | Mountain | Pacific | Alaskan | Hawaiian

**TIME FORMAT:** This setting is used by the camera to change the display format for the time in the Info Bar of the image.

**OPTIONS:** 12 hr | 24 hr

**NOTE:** If 24 hour format is selected, previous SET TIME will be adjusted and AM/PM will be removed.

**CAMERA NAME:** This setting will allow you to customize the name of your camera.

**TEMPERATURE UNIT:** This setting is used to change temperature format on Info Bar.

**OPTIONS:** Fahrenheit | Celsius

**INFORMATION BAR:** This setting is used to tell the camera whether the Info Bar should be displayed at the bottom of images or video.

**OPTIONS:** On | Off

**SW UPGRADE:** This option will allow you to update your camera software if update files are present on SD card. If files are not present, setting simply shows current software version.

**OPTIONS:** Yes | No

**FACTORY RESET:** This option will reset the camera to its factory defaults. This will erase any camera setup present.


**OPTIONS:** Yes | No

**FORMAT MEMORY CARD:** This setting is used to format the SD memory card installed. Formatting your SD card will ERASE ALL DATA PRESENT. To format card, change setting to Yes and press Enter.

**NOTE:** After card is formatted it is impossible to restore data that was present on card.

**LANGUAGE:** This feature allows you to select display language for the menu.

## Viewing and Deleting Images

Your camera has a built in Photo/Video player mode, to access, simply press the  button.

Use the **Left** and **Right** arrows to navigate through your various camera files.

If your file is a video, the **Enter** button will function as Play/Pause.

To delete a file, press the **Menu** button.

**Delete Current File:** Selecting delete on this option will permanently delete the file currently displayed on screen.

**Delete All Files:** Selecting delete on this option will permanently delete **all files** on the SD card.

To return camera to an active state, press the  button once again.

## **Frequently Asked Questions**

**Q: Will I lose my images and settings if the batteries die?**

*A: You will lose your settings but not your images. The images are stored on your external SD memory card so your images will be intact only on your card.*

**Q: Why is my camera taking pictures with nothing in front of it?**

*A: This camera is powered by motion activation. This can cause objects, like a tree branch or moving water, within the camera frame to cause the camera to take a photo.*

**Q: Is there a warranty that comes with my camera or an extended warranty I can purchase?**

*A: Your Stealth Cam Camera comes with a Limited 1-year warranty. Please contact support at 1.877.269.8490 for more information.*

**Q: Can I mix batteries together?**

*A: No, you should never mix batteries. After your camera batteries die, always install brand new batteries in your camera.*

**Q: Can I use rechargeable batteries in the camera?**

*A: Rechargeable batteries can be used but will cause battery percentage to be reported incorrectly.*

**Q: What is the flashing green LED?**

*A: The green LED functions to test the frame of your camera. This test LED will be active for 30 seconds after unit is turned on. When motion is detected in front of camera, the LED will shine green.*

## Camera Care



### Operating Conditions

This camera is designed to function in 14°F – 104°F (-10°C - 40°C) 20%-85% relative humidity, non-condensing.

---



### Product Care

- When not in use, store camera in a cool, dust-free, environment.
  - Handle camera with care.
  - Camera is weather resistant only. Do not fully submerge camera in water or other liquid. Doing so will void camera warranty.
  - Only use same type of batteries to power camera. Do not mix old and new batteries.
  - Do not touch camera lens directly. Clean only with soft lens cloth.
  - Use damp cloth to clean. DO NOT submerge camera.
  - Remove batteries when camera is not in use for an extended time.
  - Do not open camera housing to access internal parts. Doing so could damage camera and void warranty.
- 



### Notice

Camera is an active electronic device. Attempting to service internal parts may expose you to dangerous voltages and other risks.

## FCC COMPLIANCE



**NOTE:** This equipment has been tested and found to comply with the limits for Class B digital device, pursuant to part 15 of the FCC Rules. These limits are designed to provide reasonable protection against harmful interference in a residential installation. This equipment generates uses and can radiate radio frequency energy and, if not installed and used in accordance with the instructions, may cause harmful interference to radio or television receptions, which can be determined by turning the equipment off and on, the user is encouraged to try to correct the interference by one or more of the following measure:

- Reorient or relocate the receiving antenna.
- Increase the separation between the equipment and the receiver.
- Connect the equipment into an outlet on a circuit different from that to which the receiver is connected.
- Consult the dealer or an experienced radio/TV technician for help.

**Caution:** Changes or Modifications not expressly approved by the party responsible could void the user's authority to operate this device.

Product specifications are subject to change. Good Sportsman Marketing, LLC is not responsible for any photographic or typographical errors.

May be protected by one or more U.S. Patent numbers: 6,735,387 / 6,768,868 / 6,834,162 / 7,149,422 / 7,308,196 / 7,593,632 / 7,710,457 / 8,895,926.

### IC WARNING

This device contains license-exempt transmitter(s) that comply with Innovation, Science and Economic Development Canada's license- exempt RSS(s).

Operation is subject to the following two conditions:

- (1) This device may not cause interference.
- (2) This device must accept any interference, including interference that may cause undesired operation of the device. This equipment meets the exemption from the routine evaluation limits in section of RSS-102. It should be installed and operated with a minimum distance of 20cm between the radiator and any part of your body.



## **Limited Warranty Information**

Your Stealth Cam Trail Camera is covered by a 365 Day Limited Warranty on parts and labor from the date of original purchase, and purchases must be made through an authorized dealer. The warranty covers defects in workmanship and materials. The warranty does not apply to units which have been damaged or abused intentionally or unintentionally. A purchase from individuals or unauthorized Internet sites such as eBay voids the warranty. Tampering with or altering the unit will void the warranty. Any unauthorized service will void warranty. A copy of your original sales receipt must be produced for any warranty service and a Return Authorization (RA) number must be obtained from customer service at 877-269-8490 prior to returning product. Stealth Cam is not responsible for any lost untraceable packages or those without a Return Authorization at the time of return.



# STEALTH CAM<sup>®</sup>

Digital Scouting Cameras



STC-PXV26  
Manuel d'instruction

## Remarquer

Pour vous assurer que le produit est utilisé à son plein potentiel, nous vous recommandons de consulter notre site Web pour les nouvelles mises à jour du produit. Si votre appareil photo rencontre un problème, veuillez consulter notre site Web pour déterminer si vous utilisez la dernière version du micrologiciel ou du logiciel.

---

## Nous contacter

SOUTIEN TECHNIQUE

EMAIL:

[stealthcam@gsmorg.com](mailto:stealthcam@gsmorg.com)

Veillez prévoir 48 heures pour le courrier électronique réponse.

GSM, LLC

**P.O. Box 535189**

**Grand Prairie, TX 75053-9504**

SERVICE CLIENTS

CONTACT & HEURES

**Sans frais: 877-269-8490**

HEURES DU CENTRE D'APPELS

**Lun - ven / 8h - 17h (CST)**

SITE INTERNET

**[www.stealthcam.com](http://www.stealthcam.com)**

## Table des matières

À propos de votre appareil photo	21
Guide d'installation rapide	22
Camera Overview	23
Camera Setup	25
Configuration de la caméra	26
Configuration de la caméra	27
Viewing and Deleting Images	30
Questions fréquemment posées	31
Salle de soins	32
CONFORMITÉ DE FCC	33
Informations sur la garantie limitée	34

## À propos de votre appareil photo



Détection de 80 pieds et portée du flash

Voir plus loin avec le capteur PIR longue distance et les LED.



Vitesse de déclenchement de 0,4 seconde

Ne manquez jamais un tir avec une vitesse de déclenchement ultra rapide de 0,4 seconde.



Menu Intuitif

Le menu intuitif nouvellement conçu permet de modifier les paramètres avec une facilité incroyable.



Mode de tir rapide en rafale

Mode rafale à tir rapide, expositions multiples par déclenchement.



18 IR LEDs

Illuminez parfaitement vos photos de nuit avec 18 lumières LED IR.

## Guide d'installation rapide



### Insérez les piles et la carte SD

Installez 8 piles AA et une carte SD de classe 10 dans l'appareil photo.

---



### Monter la caméra

Montez la caméra à l'emplacement souhaité à l'aide du support de sangle, du câble de verrouillage Python, du support de rotule articulée ou de tout autre mécanisme de montage souhaité. Positionnez la caméra de manière à ce qu'elle ne soit pas directement orientée vers l'Est ou l'Ouest car le lever et le coucher du soleil peuvent provoquer de faux déclencheurs positifs.

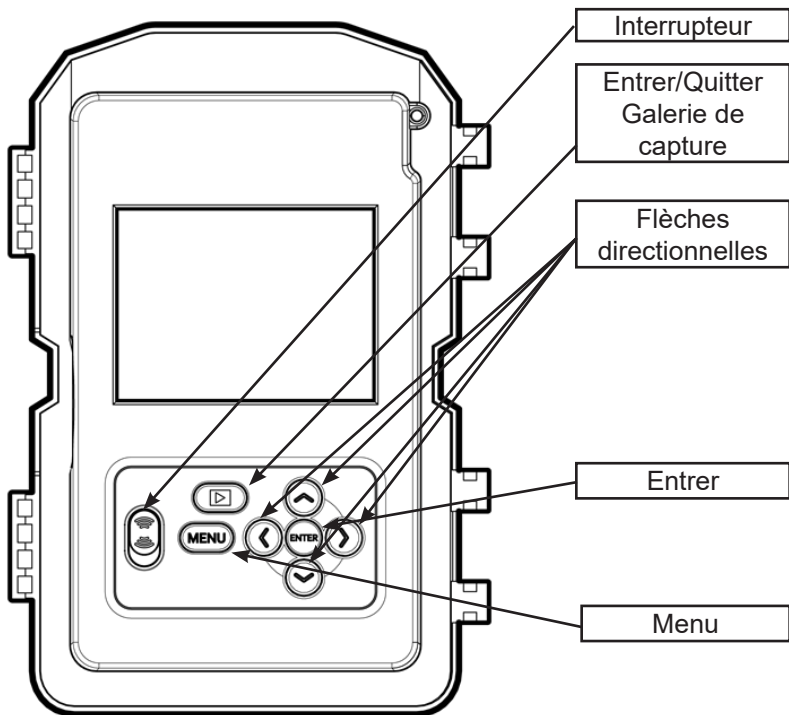
---



### Activer la caméra

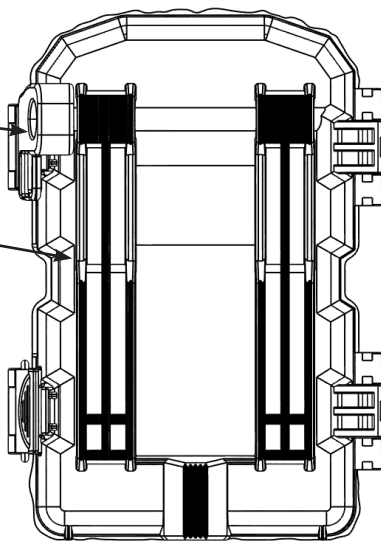
L'appareil photo est livré avec nos paramètres les plus populaires par défaut, ou personnalisez votre configuration et placez-le dans le point de vue souhaité pour commencer à capturer des photos de jeu.

## Camera Overview



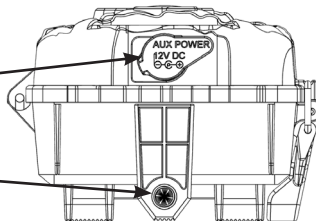
Câble antivol  
Python

Montures de  
sangle



12V Aux  
Power Port

Universal  
¼ - 20 fil





## Camera Setup



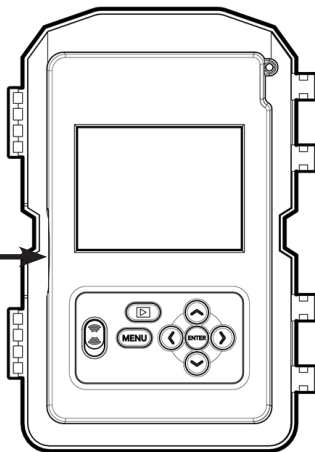
### Installation de la batterie

Le volet des piles est situé sur le côté droit de l'appareil, insérez 8 piles AA dans l'appareil photo, en prenant soin de faire correspondre l'orientation indiquée sur votre appareil photo. Une fois les piles insérées, allumez l'appareil photo pour commencer à l'utiliser normalement.



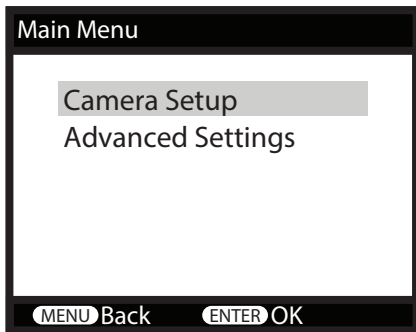
### Installation de la carte SD

La fente pour carte SD est située sur le côté gauche de la caméra. Insérez la carte SD avec l'étiquette face à vous. Seule une résistance minimale doit être ressentie lorsque la carte est insérée et un clic lorsque la carte est complètement insérée.



## Configuration de la caméra

Pour accéder à la configuration de la caméra, appuyez sur le bouton Menu de votre caméra. Lorsque vous avez terminé de régler les paramètres de la caméra, appuyez à nouveau sur Menu pour remettre la caméra à un état actif.



Les paramètres de votre caméra sont répartis en deux sections Paramètres de la caméra et Configuration avancée. Utilisez les flèches directionnelles pour mettre en surbrillance la section que vous souhaitez modifier et appuyez sur **Entrée** pour entrer dans le menu. Paramètres disponibles dans chaque section détaillés à l'avance.

## **Configuration de la caméra**

Les sections Configuration de la caméra et paramètres avancés de votre caméra vous permettent de personnaliser chaque paramètre en fonction de vos besoins précis. Pour commencer, appuyez sur le bouton Menu de l'appareil photo.

Une fois dans le menu des paramètres, utilisez les flèches Haut et Bas pour faire défiler les différents paramètres. Pour modifier un paramètre mis en surbrillance, appuyez sur la touche Entrée et les options du paramètre s'affichent. À ce stade, utilisez les flèches Haut et Bas pour modifier le paramètre. Une fois terminé, appuyez sur le bouton Entrée pour enregistrer la modification ou appuyez sur Menu pour annuler la modification.

Lorsque vous avez terminé de configurer les paramètres de votre caméra, appuyez sur le bouton Menu pour remettre votre caméra à un état actif.

## Configuration de la caméra

**MODE:** Ce paramètre dicte le fonctionnement de votre caméra

**OPTIONS:** PIR Photo | PIR Video | Time Lapse

**PHOTO RESOLUTION:** Ce paramètre déterminera la qualité de chaque image. Une qualité supérieure se traduira par de meilleures photos et occupera plus d'espace mémoire.

**OPTIONS:** 4 MP | 8 MP | 12 MP | 26 MP

**Remarque:** ce paramètre n'est applicable qu'en mode photo. Les paramètres photo s'appliqueront en mode Time Lapse

**PHOTO BURST:** Ce paramètre détermine le nombre de photos prises chaque fois que l'appareil photo est activé.

**OPTIONS:** 1 photo – 6 photos

**Remarque:** ce paramètre n'est applicable qu'en mode photo.

**PIR DELAY:** Ce paramètre est utilisé pour déterminer combien de temps l'appareil photo attendra avant de réinitialiser le capteur PIR après avoir pris une photo.

**OPTIONS:** 5 sec | 10 sec | 15 sec | 30 sec | 60 sec

**VIDEO RESOLUTION:** Ce paramètre déterminera la qualité de chaque vidéo. Une qualité supérieure se traduira par de meilleures vidéos et occupera plus d'espace mémoire.

**OPTIONS:** 640 x 360 | 1280 x 720

**Remarque:** ce paramètre n'est applicable qu'en mode vidéo.

**HEURES OPÉRATIONNELLES:** Cette fonction vous permet de désigner une heure pour que la caméra soit active.

**OPTIONS:**

**Always On:** la caméra est toujours allumée  
**PROGRAMMÉ:** cette sélection vous permettra d'entrer une plage de temps pour que la caméra soit active et opérationnel. L'appareil photo ne prend pas de photos en dehors de la plage de temps définie.

**START TIME (HH: MM):** heure de début d'activation de la caméra

**HEURE DE FIN (HH: MM):** Heure à laquelle vous souhaitez que la caméra ne soit plus active

**VIDEO LENGTH:** Ce paramètre est utilisé pour déterminer la durée, en secondes, d'un enregistrement vidéo

**OPTIONS:** 5 sec | 10 sec | 15 sec | 20 sec | 25 sec | 30 sec

**Remarque:** ce paramètre n'est applicable qu'en mode vidéo.

**TIME LAPSE (TL) DELAY:** Ce paramètre ajustera la durée entre chaque photo prise pendant le laps de temps.

**OPTIONS:** 00 min 05 sec - 59 min 59 sec

**TL START:** Ce paramètre est utilisé pour déterminer l'heure de début du laps de temps.

**TL STOP:** Ce paramètre est utilisé pour déterminer l'heure de fin du laps de temps.

## Réglages avancés

**SET DATE:** Ce paramètre est utilisé par l'appareil photo pour afficher la date correcte sur la barre d'informations de l'image.

**SET TIME:** Ce paramètre est utilisé par l'appareil photo pour afficher l'heure correcte sur la barre d'informations de l'image.

**TIME ZONE** Ce paramètre vous permet de régler votre caméra sur différents fuseaux horaires.

**OPTIONS:** Eastern | Central | Mountain | Pacific | Alaskan | Hawaiian

**TIME FORMAT:** Ce paramètre est utilisé par l'appareil photo pour modifier le format d'affichage de l'heure dans la barre d'informations de l'image.

**OPTIONS:** 12 hr | 24 hr

**REMARQUE:** Si le format 24 heures est sélectionné, l'HEURE DE CONFIGURATION précédente sera ajustée et AM / PM sera supprimé.

**CAMERA NAME:** Ce paramètre vous permettra de personnaliser le nom de votre caméra.

**TEMPERATURE UNIT:** Ce paramètre est utilisé pour changer le format de température sur la barre d'informations.

**OPTIONS:** Fahrenheit | Celsius

**INFORMATION BAR:** Ce paramètre est utilisé pour indiquer à la caméra si la barre d'informations doit être affichée au bas des images ou de la vidéo.

**OPTIONS:** On | Off

**SW UPGRADE:** Cette option vous permettra de mettre à jour le logiciel de votre caméra si des fichiers de mise à jour sont présents sur la carte SD. Si les fichiers ne sont pas présents, le paramètre affiche simplement la version actuelle du logiciel.

**OPTIONS:** Yes | No

**FACTORY RESET:** Cette option réinitialisera la caméra à ses paramètres d'usine par défaut. Cela effacera toute configuration de caméra présente.


**OPTIONS:** Yes | No

**FORMAT MEMORY CARD:** Ce paramètre est utilisé pour formater la carte mémoire SD installée. Le formatage de votre carte SD effacera toutes les données présentes. Pour formater la carte, modifiez le paramètre sur Oui et appuyez sur Entrée

**NOTE:** After card is formatted it is impossible to restore data that was present on card.

**LANGUAGE:** Cette fonction vous permet de sélectionner la langue d'affichage du menu.

## Viewing and Deleting Images

Votre appareil photo dispose d'un mode lecteur photo / vidéo intégré, pour y accéder, appuyez simplement sur le  bouton.


Utilisez les flèches gauche et droite pour parcourir vos différents fichiers de caméra.

Si votre fichier est une vidéo, le bouton Entrée fonctionnera comme Lecture / Pause.

Pour supprimer un fichier, appuyez sur le bouton Menu.

**Supprimer le fichier actuel:** la sélection de la suppression sur cette option supprimera définitivement le fichier actuellement affiché à l'écran.

**Supprimer tous les fichiers:** la sélection de Supprimer sur cette option supprimera définitivement tous les fichiers de la carte SD.

Pour ramener la caméra à un état actif, appuyez à nouveau sur le  bouton.

## Questions fréquemment posées

Q: Vais-je perdre mes images et mes paramètres si les piles meurent?

R: Vous perdrez vos paramètres mais pas vos images. Les images sont stockées sur votre carte mémoire SD externe afin que vos images soient intactes uniquement sur votre carte.

Q: Pourquoi mon appareil photo prend-il des photos sans rien devant lui?

R: Cette caméra est alimentée par une activation de mouvement. Cela peut provoquer des objets, comme une branche d'arbre ou de l'eau en mouvement, dans le cadre de l'appareil photo pour que l'appareil photo prenne une photo.

Q: Y a-t-il une garantie fournie avec mon appareil photo ou une garantie prolongée que je peux acheter?

R: Votre caméra Stealth Cam est livrée avec une garantie limitée d'un an. Veuillez contacter le support au 1.877.269.8490 pour plus d'informations.

Q: Puis-je mélanger les piles ensemble?

R: Non, vous ne devez jamais mélanger les piles. Après la mort des piles de votre appareil photo, installez toujours des piles neuves dans votre appareil photo.

Q: Puis-je utiliser des piles rechargeables dans l'appareil photo?

R: Les piles rechargeables peuvent être utilisées mais entraîneront un rapport incorrect du pourcentage des piles.

Q: Quelle est la LED verte clignotante?

R: Le voyant vert fonctionne pour tester le cadre de votre caméra. Cette LED de test sera active pendant 30 secondes après la mise sous tension de l'unité. Lorsqu'un mouvement est détecté devant la caméra, la LED s'allume en vert.

## Salle de soins



### Des conditions de fonctionnement

Cette caméra est conçue pour fonctionner entre 14 ° F et 104 ° F (-10 ° C et 40 ° C). Humidité relative de 20% à 85%, sans condensation.

---



### Entretien du produit

- Lorsqu'il n'est pas utilisé, rangez l'appareil photo dans un environnement frais et sans poussière.
  - Manipulez l'appareil photo avec soin
  - La caméra est résistante aux intempéries uniquement. Ne plongez pas complètement la caméra dans l'eau ou tout autre liquide. Cela annulerait la garantie de l'appareil photo.
  - Utilisez uniquement le même type de piles pour alimenter l'appareil photo. Ne mélangez pas des piles neuves et anciennes.
  - Ne touchez pas directement l'objectif de l'appareil photo. Nettoyez uniquement avec un chiffon doux pour lentilles.
  - Utilisez un chiffon humide pour nettoyer. NE PAS immerger la caméra.
  - Retirez les piles lorsque l'appareil photo n'est pas utilisé pendant une période prolongée.
  - N'ouvrez pas le boîtier de la caméra pour accéder aux parties internes. Cela pourrait endommager l'appareil photo et annuler la garantie.
- 



### Remarquer

La caméra est un appareil électronique actif. Tenter de réparer des pièces internes peut vous exposer à des tensions dangereuses et à d'autres risques.



## CONFORMITÉ DE FCC



**REMARQUE:** Cet équipement a été testé et s'est avéré conforme aux limites de la classe B numérique, conformément à la partie 15 des Règles de la FCC. Ces limites sont conçues pour assurer une protection raisonnable contre les interférences nocives dans une installation résidentielle. Cet équipement génère des utilisations et peut émettre de l'énergie radiofréquence et, si ce n'est pas installé et utilisé conformément aux instructions, peut causer des interférences aux réceptions de radio ou de télévision, qui peuvent être déterminées en tournant l'équipement l'utilisateur est encouragé à essayer de corriger l'interférence par un ou plusieurs la mesure suivante:

- Réorienter ou déplacer l'antenne réceptrice.
- Augmenter la séparation entre l'équipement et le récepteur.
- Connectez l'équipement à une prise sur un circuit différent de celui auquel le récepteur est connecté.
- Consultez le concessionnaire ou un technicien expérimenté en radio/télévision pour obtenir de l'aide.

**Attention:** Modifications ou modifications non expressément approuvées par la partie responsable pourrait annuler l'autorisation de l'utilisateur d'utiliser cet appareil. Les spécifications du produit sont sujettes à modification. Good Sportsman Marketing, LLC n'est pas responsable de tout erreurs photographiques ou typographiques.

**Peut être protégé par un ou plusieurs numéros de brevets américains:** 6 735 387 / 6 768 868 / 6,834,162 / 7,149,422 / 7,308,196 / 7,593,632 / 7,710,457 / 8,895,926.

### IC AVERTISSEMENT

Cet appareil contient des émetteurs exemptés de licence qui sont conformes aux RSS exempts de licence d'Innovation, Sciences et Développement économique Canada.

Son fonctionnement est soumis aux deux conditions suivantes:

- (1) Cet appareil ne doit pas provoquer d'interférences.
- (2) Cet appareil doit accepter toute interférence, y compris les interférences pouvant entraîner un fonctionnement indésirable de l'appareil.

Cet équipement satisfait à l'exemption des limites d'évaluation de routine de la section de RSS-102. Il doit être installé et utilisé à une distance minimale de 20 cm entre le radiateur et toute partie de votre corps

## **Informations sur la garantie limitée**

Votre caméra Stealth Cam Trail est couverte par une garantie limitée de 365 jours sur les pièces et la main-d'œuvre à partir de la date d'achat d'origine, et les achats doivent être effectués auprès d'un revendeur agréé. La garantie couvre les défauts de fabrication et de matériaux. La garantie ne s'applique pas aux unités qui ont été endommagées ou abusées intentionnellement ou non. Un achat auprès de particuliers ou de sites Internet non autorisés tels qu'eBay annule la garantie. Toute altération ou modification de l'appareil annulera la garantie. Tout service non autorisé annulera la garantie. Une copie de votre reçu de vente original doit être produite pour tout service de garantie et un numéro d'autorisation de retour (RA) doit être obtenu auprès du service client au 877-269-8490 avant de retourner le produit. Stealth Cam n'est pas responsable de tout colis introuvable introuvable ou sans autorisation de retour au moment du retour.