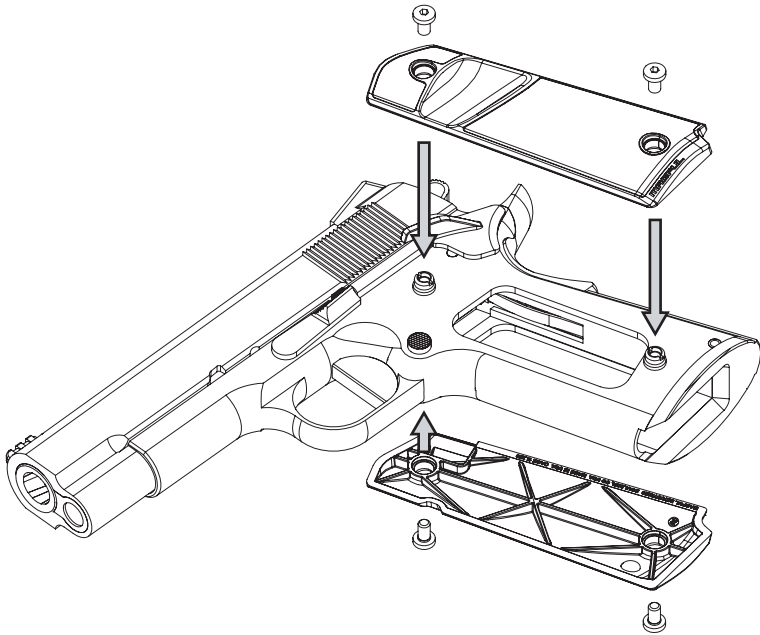


1911 GRIP PANELS



INSTALL GRIP PANELS

Align *Grip Panel* on the appropriate side of frame. Align and hand tighten screws using the appropriate *driver*. Repeat process on opposite side.

DO NOT OVERTIGHTEN: *overtightening may damage the panel and/or frame.*