



D IMPORTANT INFORMATION

Important Battery Information

- Only use Alkaline or Lithium batteries. We recommend the use of Energizer™ batteries.
- Do not mix old and new batteries. Always replace ALL the batteries at the same time.
- When the camera is not in use, please remove the batteries.

Moultrie Limited Warranty

This product has been thoroughly tested and inspected before shipment. It is guaranteed from defects in material and workmanship from the date of purchase for 1 year. Under this limited guarantee we agree to replace or repair free of charge any part or parts which have been found to be defective in original material or workmanship. Should you require in-warranty service, call our Customer Service Department. If your problem cannot be addressed over the telephone, we may need you to send us your defective product plus proof of purchase.

You must register your camera at www.moultriefeeders.com/warranty to activate your 1-year warranty.

Troubleshooting

Please visit www.moultriefeeders.com/contact-us for troubleshooting and helpful tips.

Returns and Repairs

Please visit <http://www.moultriefeeders.com/return-policy> and complete the form or our Service Department will gladly answer any questions you have. Call 800-653-3334, Monday - Friday, 8:00 AM to 5:00 PM CST.

FCC Statements



Game Spy

Note: changes and modifications not expressly approved by the party responsible could void the user's authority to operate this device.

This device complies with Part 15 of the FCC Rules. Operation is subject to the following two conditions: (1) This device may not cause harmful interference, and (2) this device must accept any interference received, including interference that may cause undesired operation.

NOTE: THE MANUFACTURER IS NOT RESPONSIBLE FOR ANY RADIO OR TV INTERFERENCE CAUSED BY UNAUTHORIZED MODIFICATIONS TO THIS EQUIPMENT. SUCH MODIFICATIONS COULD VOID THE USER'S AUTHORITY TO OPERATE THE EQUIPMENT.

NOTE: This device complies with the limits for a Class B digital device, pursuant to Part 15 of the FCC Rules. These limits are designed to provide reasonable protection against harmful interference in a residential installation. This device generates, uses, and can radiate radio frequency energy and, if not installed and used in accordance with the instructions, may cause harmful interference to radio communications. However, there is no guarantee that interference will not occur in a particular installation. If this device does cause harmful interference to radio or television reception, which can be determined by turning the equipment off and on, the user is encouraged to try to correct the interference by one or more of the following measures:

- Reorient or relocate the receiving antenna.
- Increase the separation between the equipment and receiver.
- Connect the equipment into an outlet on a circuit different from that to which the receiver is connected.
- Consult the dealer or an experienced radio/TV technician for help.



www.moultriefeeders.com

PRADCO Outdoor Brands • 3280 Highway 31, Ste B • Calera, AL 35040

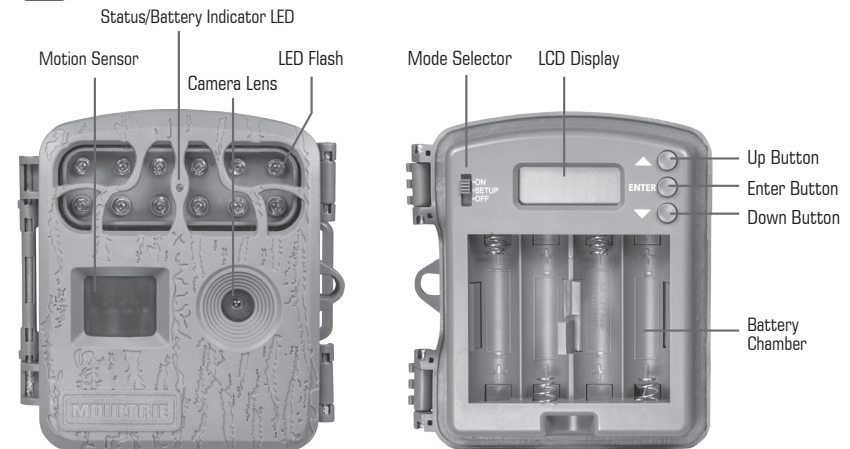
12092015 • MCG-13034



Instructions for GameSpy Digital Game Camera

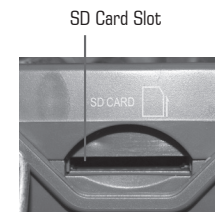
THANK YOU for your purchase of your GameSpy Digital Game Camera. Please read this booklet before using the unit. If you should have any questions about this product or any other Moultrie product, please contact us using the information on the back of this booklet. Please register your camera at www.moultriefeeders.com/warranty to activate your 1-year warranty.

A CAMERA OVERVIEW

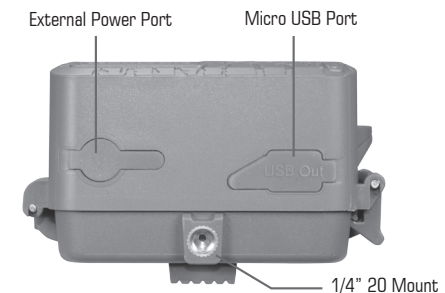


FRONT VIEW

INSIDE VIEW



SIDE VIEW



BOTTOM VIEW





B CAMERA SETUP

Battery Installation

Open the camera door and install 4 AA Alkaline or Lithium batteries. Make sure that the (+ and -) polarities match the polarities indicated inside the battery chamber.

Note: Anytime you load or unload batteries make sure the camera is OFF. If using 12V DC Power Port to connect to external supply, do not remove internal batteries.

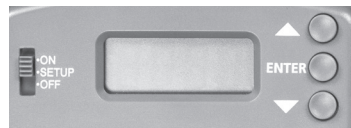
Insert SD Card

You will need to open the camera door to insert an SD memory card. You can insert an SD Card up to 32GB. Insert the card in the direction indicated on the card until you hear an audible click. Camera will not operate without an SD memory card installed.

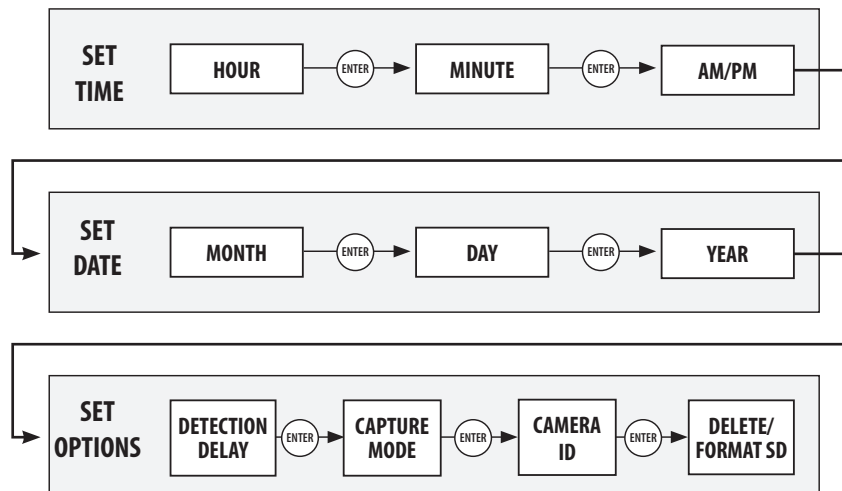
Power ON

Slide the power switch to the SETUP position. The time and current settings will appear on the LCD Display. To begin modifying the camera settings press ENTER. The first setting will begin flashing. Use the UP and DOWN arrow Keys to change the currently flashing options. Once setting is adjusted to the desired option, press ENTER to lock in the setting and move to the next field/option.

Note: while in SETUP mode, the motion sensor will detect movement and illuminate the STATUS LED on the front of the camera for ~1 second. You can use this feature to ensure camera is properly aimed to detect movement in the desired target area.



The user-selectable options and settings are in the order below.



Pressing ENTER after selection of DELETE option will complete setup. To arm the camera and begin capturing images, switch camera to ON. Camera will then countdown from 10 and be ready for use.

Setting Time and Date

While the camera is in the Setup mode, the LCD display will show the time. Press the **Enter** button and the selection will flash. Use the **UP/DOWN** buttons to change the selection. Press the **Enter** button to lock in the selection and move to the next selection. Repeat the process to set the year, month and day.

Detection Delay Setting

Detection Delay determines the number of minutes between pictures when an animal is detected and remains in range. Press the **OK** button. Use the **Up/Down** buttons to choose between (5, 10, 15, 30 sec, 1 or 5 min). Press **Enter** to lock in your selection and move to the next selection.

Setting Capture Mode

Use the **Up/Down** buttons to choose between 5 different modes: 1 Photo/Low Resolution, 1 Photo/High Resolution, 3 Photos/Low Resolution, 3 Photos/High Resolution and Video. Press **Enter** to lock in your selection and move to the next selection.

The on-screen icons for each mode are shown below:

Lo	1		1 Photo, Low Resolution
Hi	1		1 Photo, High Resolution
Lo	3		3 Photos, Low Resolution
Hi	3		3 Photos, High Resolution
			Video

Setting Camera ID

Use the **Up/Down** buttons to choose between nine different numbers (1-9) to help identify your cameras (i.e. "CAMERA 3" will be marked on the info strip given 3 was selected). Press **Enter** to lock in your selection and move to the next selection.

Reset Picture Count/Erase Images/Format Card

You can reset the picture count on the camera. Use the **Up/Down** buttons to choose between Yes or No. Press the **Enter** button to confirm the selection. "Yes" will reset file number to start from 0001 and **erase all images stored on the SD card**.

NOTE: This will also format your SD card for use in your camera.

Mounting with a Strap

Close cover and place camera on a tree or pole approximately 3 ft. high. Thread the mounting strap through the mounting strap slots on the back of the camera and secure.

Hint: If you are mounting camera to cover a trail, face the camera down the trail tilted at a slight downward angle.

Face the camera North or South to avoid over exposure from the sun.

Clear brush away from camera front to avoid false triggers from the wind.

