

# UNDEAD APOCALYPSE™

## CO<sub>2</sub> Powered 6mm Airsoft BB Repeater OWNER'S MANUAL

READ ALL INSTRUCTIONS AND WARNINGS IN THIS MANUAL BEFORE USING THIS AIRSOFT GUN

Crosman Corporation  
7629 Routes 5 & 20  
Bloomfield, NY 14469  
www.crosman.com  
1-800-724-7486

Made in the U.S.A. with some foreign components.

TACZ11-515

**WARNING:** This is not a toy. Adult supervision is required. Misuse may cause serious injury, especially to the eye. Eye protection designed for airsoft guns must be worn by the user and any person in range. May be dangerous up to 100 yds. Read the owner's manual before using.

**WARNING:** Do not brandish or display this airsoft gun in public – it may confuse people and may be a crime. Police and others may think it is a firearm. Do not change the coloration and markings to make it look more like a firearm. That is dangerous and may be a crime. READ ALL INSTRUCTIONS AND WARNINGS IN THIS MANUAL BEFORE USING THIS AIRSOFT GUN.

YOU AND OTHERS WITH YOU SHOULD ALWAYS WEAR EYE PROTECTION TO PROTECT YOUR EYES.

READ ALL INSTRUCTIONS AND WARNINGS IN THIS MANUAL BEFORE USING THIS AIRSOFT GUN.

BUYER AND USER HAVE THE DUTY TO OBEY ALL LAWS ABOUT THE USE AND OWNERSHIP OF THIS AIRSOFT GUN.

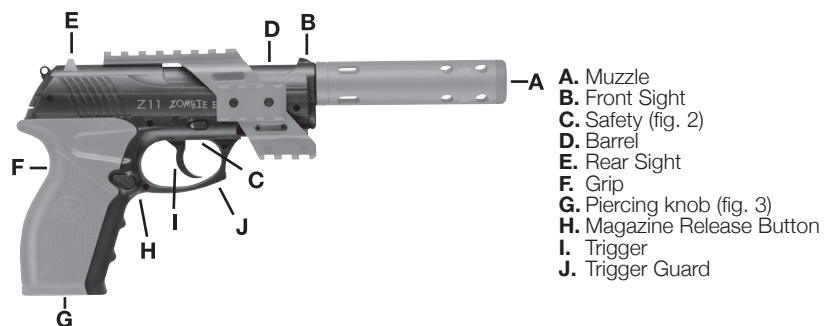
RECOMMEND 18 YEARS OR OLDER TO PURCHASE. INTENDED FOR USE BY THOSE 16 OR OLDER.

Please read this owner's manual completely. And remember, this airsoft gun is not a toy. Treat it with the same respect you would a firearm. Always carefully follow the safety instructions found in this owner's manual and keep this manual in a safe place for future use.

If you have any questions regarding your new airsoft gun, please contact Crosman at 1-800-724-7486, 585-657-6161 or www.crosman.com.

### 1. Learning the Parts of Your New Airsoft gun

Learning the names of the parts of your new airsoft gun will help you to understand your owner's manual. Use this manual to increase your enjoyment of this airsoft gun.



### 2. Operating the Safety

#### A. To Put the Airsoft Gun "ON SAFE:"

- Locate the safety on the right side of the airsoft gun.
- Push the safety in and all the way forward toward the "S" for "ON SAFE" (Fig. 2). The safety is not "ON SAFE" unless it is pushed all the way forward and the red around the safety is NOT showing.

Like all mechanical devices, an airsoft gun safety can fail. Even when the safety is "ON SAFE", you should continue to handle the airsoft gun safely.

NEVER point the airsoft gun at any person. NEVER point the airsoft gun at anything you do not intend to shoot.

#### B. To Take the Airsoft gun "OFF SAFE":

- Push the safety in and all the way backward toward the "F" for "OFF SAFE". When you can see the RED ring around the left side of the safety, the airgun is "OFF SAFE" and can be fired.

### 3. Installing and Removing the CO<sub>2</sub> Cartridge

#### A. Installing a New CO<sub>2</sub> Cartridge

**WARNING:** CO<sub>2</sub> cartridges may explode at temperatures above 120°F (48.9°C). Do not mutilate or incinerate them. Do not expose them to heat or store CO<sub>2</sub> cartridges at temperatures above 120°F (48.9°C).

- Put the airsoft gun "ON SAFE" (see Section 2A).
- Make sure the airsoft gun is UNLOADED and POINTED IN A SAFE DIRECTION.
- Holding the airsoft gun as shown, slide the grip straight back and remove (Fig. 3).
- Turn the piercing knob left until it is all the way down.
- Insert the new CO<sub>2</sub> cartridge into the airsoft gun with the small neck of the CO<sub>2</sub> cartridge inserted first and up.
- Finger-tighten the cartridge piercing knob by turning it right. If you hear a hissing sound when piercing the gun, try tightening the screw more.
- Line the grip up with the groove on the frame and slide the grip forward to close.
- To make sure the cartridge has been pierced, point the airsoft gun in a SAFE DIRECTION, take "OFF SAFE" (see Step 2B) and pull the trigger.
- If the airsoft gun does not make a popping noise after pulling the trigger, the CO<sub>2</sub> is not being discharged. In that event put the airsoft gun "ON SAFE" (Step 2A), remove the grip and tighten a 1/4 turn. Replace the grip.
- Point the airsoft gun in a SAFE DIRECTION, take "OFF SAFE" (see Step 2B) and pull the trigger.

**NOTE:** We recommend the use of Crosman® Powerlet® CO<sub>2</sub> cartridges. They are made to fit your airsoft gun. Other brands of CO<sub>2</sub> cartridges may not fit properly and if you force them into place it may result in injury to you or damage to your airsoft gun. Never try to force any CO<sub>2</sub> cartridge into or out of place.

Do not store your airsoft gun with a CO<sub>2</sub> cartridge in it. If you know you will not be using your airsoft gun for an extended period of time, empty the CO<sub>2</sub> cartridge and remove it from the airsoft gun (Step 3B).

This is very important to remember, as it will prolong the longevity of your airsoft gun seals.

#### B. Removing CO<sub>2</sub> Cartridge

**WARNING:** Keep hands away from escaping CO<sub>2</sub> gas. It can cause frostbite if allowed to come in contact with skin. Always make sure the CO<sub>2</sub> cartridge is empty before attempting to remove it from the airsoft gun by slowly turning the knob counter-clockwise all the way until you no longer hear the escape of CO<sub>2</sub> gas.

- Put the airsoft gun "ON SAFE" (section 2A).
- Make sure the airsoft gun is UNLOADED (section 4B) and pointed in a SAFE DIRECTION.
- Line the grip up with the groove on the frame and slide the grip forward to close.
- Use one hand to hold the airsoft gun at the top of the receiver, being sure not to cover the muzzle.
- Loosen the cartridge piercing knob by slowly turning it left (see fig. 3) allowing any remaining gas to escape.
- Drop out the CO<sub>2</sub> cartridge.
- Tighten the cartridge piercing knob enough so that the grip will pass over it.
- Slide the grip forward to close.

### 4. Loading and Unloading Plastic BBs

#### A. Loading Plastic BBs

- Make sure the airsoft gun is "ON SAFE" (See Step 2A) and pointed in a SAFE DIRECTION.
- Remove the magazine by pressing on the magazine release button on the left side of the airsoft gun.
- Pull and hold down the BB follower tab (fig. 4)
- Insert up to 16 plastic BBs into the BB loading hole on the front of the magazine.
- Place a finger over the end of the magazine where the BBs will exit.
- With the magazine pointed in a safe direction, release the BB Follower tab.

**NOTE:** Releasing the BB follower tab quickly, or without the end covered, could allow BBs to exit the magazine.

- Insert the loaded clip into the airsoft gun
- Your airsoft gun is now loaded and ready to fire, after reading the entire manual, including section 8 on reviewing safety.

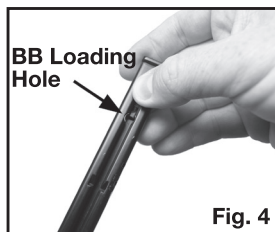


Fig. 4

#### B. Unloading Plastic BBs

- Put the airsoft gun "ON SAFE" (See Step 2A).
- Point the airsoft gun in a SAFE DIRECTION.
- Remove the magazine by pressing on the magazine release button.
- Pull and hold down the BB follower tab.
- Tip the magazine until all the plastic BBs fall out of the hole.
- If a BB is still visible in the top of the magazine, push the BB out of the magazine.
- Aim the airsoft gun in a SAFE DIRECTION; insert the magazine into gun, take it "OFF SAFE" (See Step 2B) and fire.
- Repeat this procedure several times until you are sure you are no longer firing BBs.

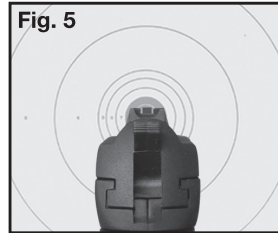
**NOTE:** The airsoft gun must be charged with CO<sub>2</sub> when following these steps but remember, do not store your airsoft gun with a CO<sub>2</sub> cartridge in it.

**WARNING:** Even though you go through the unloading procedure, continue to treat the airsoft gun as though it were loaded. Do not point at anything you do not intend to shoot.

#### 5. Aiming and Firing Safely

- You and others with you should always wear eye protection designed for airsoft to protect your eyes.
- Always point your airsoft gun in a SAFE DIRECTION.
- Do not shoot at hard surfaces or at the surface of water. The plastic BBs may bounce off or ricochet and hit someone or something you had not intended to hit.
- DO NOT re-use plastic BBs because they could possibly cause damage to your airsoft gun.
- Your airsoft gun is designed for target shooting and is suited for both indoor and outdoor use. Always remember to place your target carefully. THINK about what you will hit if you miss the target.
- Your airsoft gun is correctly aimed when the front sight blade is position exactly in the notch of the rear sight. The top of the front sight blade should be even with the top of the notch in the rear sight. The bulls-eye should appear to rest on the top of the front sight (Fig. 5).
- When you are sure of your target and backstop, and the area around the target is clear, take the airsoft gun "OFF SAFE" (section 2A) aim and pull the trigger to fire.

Fig. 5



#### 6. Maintaining Your Airsoft gun

- Putting 1 drop of Crosman 0241 Pellgunoil® on the tip of every CO<sub>2</sub> cylinder will help to maintain your airsoft gun. DO NOT use petroleum distillate based oil or solvent and DO NOT over-oil as this can cause damage to your airsoft gun.
- DO NOT MODIFY OR ALTER YOUR AIRSOFT GUN. Attempts to modify the airsoft gun in any way inconsistent with this manual may make your airsoft gun unsafe to use, cause serious injury, especially to the eye and will void the warranty.
- If you drop your airsoft gun, visually check to see that it works properly before you use it again.
- If anything seems changed, like a shorter or weaker trigger pull, this may mean worn out or broken parts. Call Crosman customer service for assistance before using your airsoft gun again.

#### A. How to clean the magazine

- Remove magazine
- Wipe down outside of magazine
- Spray small amount of Crosman Nitro Lubricant oil into BB tube
- Replace magazine

#### B. To clean the Airsoft gun barrel

- Spray a cleaning patch with Crosman Nitro Lubricant oil.
- With patch on rod, insert in into barrel to clean
- Swab barrel 3-4 times
- Repeat swabbing procedure with a dry patch
- Barrel is clean when patches come out clean after dry swabbing.

#### C. Clearing a Jam

- Never look down the end of barrel to see if a jam has been cleared.
- Make sure the airsoft gun is "ON SAFE" and pointed in a SAFE DIRECTION.
- Remove magazine.
- Insert the tapered end of the cleaning rod into the barrel.
- CAREFULLY and slowly apply more pressure until you push the BB out of the breach.
- Reinstall the magazine and test gun.

#### 7. Reviewing Safety

- Do not ever point the airsoft gun at any person. Do not ever point the airsoft gun at anything you do not intend to shoot.
- Always treat the airsoft gun as though it is loaded and with the same respect you would a firearm.
- Always aim in a SAFE DIRECTION. Always keep the muzzle of the airsoft gun pointed in A SAFE DIRECTION.
- Always keep the airsoft gun "ON SAFE" until you are ready to shoot in a SAFE DIRECTION.
- Always check to see if the airsoft gun is "ON SAFE" and unloaded when getting it from another person or from storage.
- Always keep your finger off the trigger and out of the trigger guard until ready to shoot.
- You and others with you should always wear eye protection to protect your eyes.
- Always wear eye protection designed for airsoft over your regular glasses.
- Use 6 mm plastic BBs only.
- Do not reuse plastic BBs because they could cause possible damage to your airsoft gun.
- Do not shoot at hard surfaces or at the surface of water. The plastic BBs may bounce off or ricochet and hit someone or something you had not intended to hit.
- Replace the backstop if it becomes worn. Place the backstop in a location that will be safe should the backstop fail.
- Your backstop should be checked for wear before and after each use. All backstops are subject to wear and will eventually fail. Replace your backstop if the surface is worn or damaged or if a ricochet occurs.
- Do not attempt to disassemble or tamper with your airsoft gun.
- DO NOT MODIFY OR ALTER YOUR AIRSOFTGUN. Attempts to modify the airsoft gun in any way may make your airsoft gun unsafe to use, cause serious injury or death and will void the warranty.
- Using unauthorized repair centers or modifying the function of your airsoft gun in any way may be unsafe and will void your warranty.
- Do not put the airsoft gun away loaded. Make sure ALL of the plastic BBs are unloaded from the airsoft gun.
- Always store this airsoft gun in a secure location.

#### SPECIFICATIONS

Mechanism	BB Repeater	Sights	Front: Fixed Blade Rear: Fixed Notch
Caliber/Ammunition	6 mm Plastic BB	Capacity	Up to 16 BB
Power Source	12 gram CO <sub>2</sub> cartridge	Velocity	Up to 400 fps
Length	11 inches	Safety	Slide
Weight	1.0 lbs		

**PERFORMANCE:** Many factors can affect velocity, including brand of projectile, type of projectile and barrel condition.

#### DO NOT RETURN THIS PRODUCT TO THE STORE.

Our customer service representatives will help. You can get answers to frequently asked questions at www.crosman.com or you can contact us directly at 1-800-7AIRGUN (1-800-724-7486)

#### CUSTOMER SERVICE

If your airsoft gun is not functioning, we recommend that you call Crosman Corporation Customer service at 1-800-724-7486 or 585-657-6161. (International customers should contact their distributor.) DO NOT ATTEMPT TO DISASSEMBLE IT! If you take it apart you probably will not be able to reassemble it correctly. Crosman assumes no warranty responsibility under such circumstances.

For optimum performance use Crosman ammunition only. Using other than Crosman branded ammunition may cause your product to malfunction and may void your warranty.

#### LIMITED 30 DAY WARRANTY

This product is warranted to the retail consumer for 30 days from date of retail purchase against defects in material and workmanship and is transferable.

#### WHAT IS COVERED

Replacement parts and labor. Transportation charges to consumer for repaired product.

#### WHAT IS NOT COVERED

Transportation charges to Crosman for product. Damages caused by abuse, modification or failure to perform normal maintenance. ANY OTHER EXPENSE. CONSEQUENTIAL DAMAGES, INCIDENTAL DAMAGES, OR INCIDENTAL EXPENSES, INCLUDING DAMAGE TO PROPERTY. SOME STATES DO NOT ALLOW THE EXCLUSION OR LIMITATION OF INCIDENTAL OR CONSEQUENTIAL DAMAGES, SO THE ABOVE LIMITATION OR EXCLUSION MAY NOT APPLY TO YOU.

#### WARRANTY CLAIMS

**USA Customers:** Attach your name, address, description of problem, phone number and copy of sales receipt to product. Package and return to Crosman Corporation, Routes 5 & 20, East Bloomfield, NY 14443.

**Canadian Customers:** Contact the Gravel Agency 418-682-3000 X46

**International Customers:** Please return product to your nearest distributor. If you do not know your distributor, please call 585-657-6161 and ask for our International Department for assistance.

#### IMPLIED WARRANTIES

ANY IMPLIED WARRANTIES, INCLUDING THE IMPLIED WARRANTIES OF MERCHANTABILITY AND FITNESS FOR A PARTICULAR PURPOSE, ARE LIMITED IN DURATION TO 30 DAYS FROM DATE OF RETAIL PURCHASE. SOME STATES DO NOT ALLOW LIMITATIONS ON HOW LONG AN IMPLIED WARRANTY LASTS, SO THE ABOVE LIMITATIONS MAY NOT APPLY TO YOU.

To the extent any provision of this warranty is prohibited by federal, state, or municipal law which cannot be pre-empted, it shall not be applicable. This warranty gives you specific legal rights, and you may also have other rights which vary from state to state.

Undead Apocalypse is a registered trademark of Crosman Corporation in the United States.

# UNDEAD APOCALYPSE™

Airsoft BB Repeater de CO<sub>2</sub>  
y perdigones BB de 6 mm

## MANUAL DEL USUARIO

LEA TODAS LAS INSTRUCCIONES Y ADVERTENCIAS INCLUIDAS EN ESTE MANUAL ANTES DE USAR LA PISTOLA AIRSOFT

Crosman Corporation  
7629 Routes 5 & 20  
Bloomfield, NY 14469  
www.crosman.com  
1-800-724-7486

Hecha en los EE. UU. con algunos componentes extranjeros.

**ADVERTENCIA:** Esto no es un juguete. Se requiere la supervisión de un adulto. El mal uso puede causar lesiones graves, especialmente en los ojos. Quien use la pistola y cualquier persona que se encuentre en el rango de tiro deben utilizar la protección ocular diseñada para las pistolas Airsoft. Puede ser peligrosa hasta 100 yardas (92 m). Lea el manual del usuario antes de usarla.

**ADVERTENCIA:** No blanda ni exhiba esta pistola Airsoft en público; puede confundir a la gente y puede constituir un delito. La policía y otras personas pueden creer que se trata de un arma de fuego. No cambie la coloración ni las marcas para que aparente ser un arma de fuego. Eso es peligroso y puede ser un delito. LEA TODAS LAS INSTRUCCIONES Y ADVERTENCIAS INCLUIDAS EN ESTE MANUAL ANTES DE USAR ESTA PISTOLA AIRSOFT.

USTED Y LAS DEMÁS PERSONAS DEBEN USAR SIEMPRE PROTECCIÓN OCULAR PARA PROTEGER SUS OJOS.

LEA TODAS LAS INSTRUCCIONES Y ADVERTENCIAS DE ESTE MANUAL ANTES DE USAR ESTA ARMA DE AIRE SUAVE.

EL COMPRADOR Y EL USUARIO TIENEN EL DEBER DE OBEDECER TODAS LAS LEYES RELATIVAS AL USO Y PROPIEDAD DE ESTA ARMA DE AIRE SUAVE.

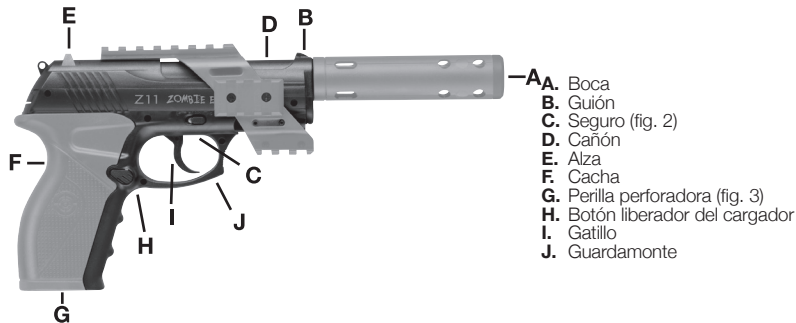
SE RECOMIENDA QUE SEAN PERSONAS DE 18 AÑOS O MÁS QUIENES REALICEN LA COMPRA. ESTÁ DISEÑADA PARA USO POR PERSONAS DE 16 AÑOS O MÁS.

Lea completamente este manual del usuario. Y recuerde, esta pistola Airsoft no es un juguete. Siempre trátela con el mismo respeto con el que utilizaría un arma de fuego. Siempre cumpla cuidadosamente con las instrucciones de seguridad incluidas en este manual del usuario y conserve el manual en un lugar seguro para poder consultarlo más adelante.

Si tiene alguna consulta acerca de su nueva pistola Airsoft, comuníquese con Crosman llamando al 1-800-724-7486, 585-657-6161 o visitando www.crosman.com.

### 1. Descripción de las piezas de su nueva pistola Airsoft

Aprender los nombres de las piezas de su nueva pistola Airsoft le ayudará a comprender mejor el manual del usuario. Utilice este manual para disfrutar aún más de la pistola Airsoft.



### 2. Operación del Seguro

#### A. Para colocar el seguro de la pistola Airsoft ("ON SAFE"):

- Encuentre el seguro en el lado derecho de la pistola Airsoft.
- Empuje el seguro hacia adelante hasta que llegue a la "S" para activarlo ("ON SAFE") (Fig. 2). El seguro no se encuentra activado ("ON SAFE") a menos que se lo haya empujado completamente hasta el final y que NO se vea la marca roja que está alrededor del seguro.

Como todos los dispositivos mecánicos, el seguro de una pistola Airsoft puede fallar. Aún cuando el seguro esté activado ("ON SAFE"), debe seguir manipulando la pistola Airsoft con mucho cuidado.

NUNCA apunte la pistola Airsoft hacia una persona. NUNCA apunte la pistola Airsoft hacia un objeto al que no desee disparar.

#### B. Para quitar el seguro de la pistola Airsoft ("OFF SAFE"):

- Para desactivarlo ("OFF SAFE"), empuje el seguro hacia atrás hasta que llegue a la "F". Cuando vea el anillo ROJO alrededor del lado izquierdo del seguro, el seguro de la pistola Airsoft ya no estará activado ("OFF SAFE") y ésta podrá dispararse.

### 3. Instalación y extracción del Cartucho de CO<sub>2</sub>

#### A. Instalar un Cartucho de CO<sub>2</sub> nuevo

**ADVERTENCIA:** Los cartuchos de CO<sub>2</sub> pueden estallar a temperaturas por encima de los 48.9°C (120°F). No los utilice ni incineré. No los exponga al calor ni almacene los cartuchos de CO<sub>2</sub> a temperaturas por encima de los 48.9°C (120°F).

- Active el seguro de la pistola Airsoft ("ON SAFE") (consultar la sección 2A).
- Asegúrese de que la pistola Airsoft esté DESCARGADA y APUNTANDO EN UNA DIRECCIÓN SEGURA.
- Sosteniendo la pistola como se indica, deslice la catcha hacia atrás y extraiga (Fig. 3).
- Enrosque la perilla perforadora haciéndola girar hacia la izquierda hasta llegar al final.
- Inserte el cartucho de CO<sub>2</sub> nuevo en la pistola Airsoft; la parte más delgada del cartucho de CO<sub>2</sub> es lo que se inserta primero, apuntando hacia arriba.
- Ajuste la perilla perforadora del cartucho con los dedos, enroscándola hacia la derecha. Si oye un siseo cuando esté perforando la pistola, intente enroscar más el tornillo.
- Coloque la catcha en la dirección de la ranura del marco y deslicela hacia adelante para cerrar.
- Para corroborar que el cartucho se haya perforado, apunte la pistola Airsoft en una DIRECCIÓN SEGURA, desactive el seguro ("OFF SAFE") (consulte el paso 2B) y tire del gatillo.
- Si la pistola Airsoft no produce un sonido de estallido al tirar del gatillo, quiere decir que el CO<sub>2</sub> no está descargando. En ese caso, active el seguro de la pistola Airsoft ("ON SAFE") (paso 2A), extraiga la catcha y enrosque 1/4 de vuelta. Vuelva a colocar la catcha en su lugar.
- Apunte la pistola Airsoft en una DIRECCIÓN SEGURA, desactive el seguro ("OFF SAFE", consulte el paso 2B) y tire del gatillo.

**NOTA:** Le recomendamos que use cartuchos de CO<sub>2</sub> Crosman® Powerlet®. Estos cartuchos están fabricados para encajar perfectamente en su pistola Airsoft. Otras marcas de cartuchos de CO<sub>2</sub> podrían no encajar bien y, si los encajara a la fuerza, podrían terminar lastimándolo a usted o dañando la pistola Airsoft. Nunca intente colocar o extraer un cartucho de CO<sub>2</sub> a la fuerza.

No guarde la pistola Airsoft con un cartucho de CO<sub>2</sub> puesto. Si sabe que no usará la pistola Airsoft durante un período de tiempo prolongado, vacíe el cartucho de CO<sub>2</sub> y extráigalo de la pistola (paso 3B).

Es muy importante que recuerde ese paso con el fin de prolongar la vida útil de los cierres herméticos de la pistola Airsoft.

#### B. Extraer el Cartucho de CO<sub>2</sub>

**ADVERTENCIA:** Mantenga las manos alejadas del gas CO<sub>2</sub> que salga. Puede causar una herida por frío si entra en contacto con la piel. Asegúrese siempre de que el cartucho de CO<sub>2</sub> esté vacío antes de intentar extraerlo de la pistola Airsoft; para eso, desenrosque la perilla despacio y por completo en el sentido contrario de las agujas del reloj hasta que ya no oiga que sale gas CO<sub>2</sub>.

- Active el seguro de la pistola Airsoft ("ON SAFE") (sección 2A).
- Asegúrese de que la pistola Airsoft esté DESCARGADA (sección 4B) y apuntando en una DIRECCIÓN SEGURA.
- Coloque la catcha en la dirección de la ranura del marco y deslicela hacia adelante para cerrar.
- Use una mano para sostener la pistola Airsoft por la parte superior de la corredera, asegurándose de no cubrir la boca.
- Afloje la perilla perforadora del cartucho desenroscándola lentamente hacia la izquierda (ver fig. 3), para permitir que salga el gas restante que pudiera haber.
- Deje que el cartucho de CO<sub>2</sub> se deslice un poco hacia afuera y extráigalo.
- Enrosque la perilla perforadora del cartucho lo suficiente para que la catcha pueda pasar por encima.
- Deslice la catcha hacia adelante para cerrar.

### 4. Carga y descarga de perdigones BB de plástico

#### A. Cargar perdigones BB de plástico

- Compruebe que el seguro de la pistola Airsoft esté activado ("ON SAFE") (consulte el paso 2A) y que la pistola apunte en una DIRECCIÓN SEGURA.
- Quite el cargador oprimiendo el botón liberador del cargador en la parte izquierda de la pistola Airsoft.
- Tire hacia abajo de la lengüeta cargadora de perdigones y sosténgala en esa posición (fig. 4)
- Inserte hasta 16 perdigones BB de plástico por el orificio de carga de perdigones en el frente del cargador.
- Coloque un dedo sobre el extremo del cargador donde saldrán los perdigones.
- Apunte el cargador en una dirección segura y suelte la lengüeta cargadora de perdigones.

**NOTA:** Si libera la lengüeta cargadora de perdigones rápidamente, o sin cubrir el extremo, los perdigones podrán salir del cargador.

- Inserte el cargador con perdigones en la pistola Airsoft
- La pistola Airsoft ya está cargada y lista para disparar, luego de leer todo el manual, incluida la sección 8 sobre el repaso de las medidas de seguridad.



### B. Descargar perdigones BB de plástico

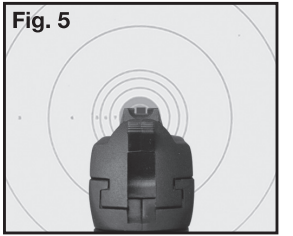
- Active el seguro de la pistola Airsoft ("ON SAFE") (consulte el paso 2A).
- Apunte la pistola Airsoft en una DIRECCIÓN SEGURA.
- Quite el cargador oprimiendo el botón liberador del cargador.
- Tire hacia abajo de la lengüeta cargadora de perdigones y sosténgala en esa posición.
- Incline el cargador hasta que todos los perdigones BB caigan a través del hoyo.
- Si se siguiera viendo un perdigón en la parte superior del cargador, empujelo hacia afuera.
- Apunte la pistola Airsoft en una DIRECCIÓN SEGURA, inserte el cargador en la pistola, desactive el seguro ("OFF SAFE") (consulte el paso 2B) y dispáre.
- Repita este procedimiento varias veces hasta asegurarse de que ya no dispáre perdigones BB.

**NOTA:** La pistola Airsoft debe estar cargada con CO<sub>2</sub> al seguir estos pasos, pero recuerde: no guarde la pistola con un cartucho de CO<sub>2</sub> puesto.

**ADVERTENCIA:** Incluso tras haber seguido el procedimiento de descarga, siga manipulando la pistola Airsoft como si estuviera cargada. No apunte hacia un objeto al que no desee disparar.

### 5. Apuntar y disparar de forma segura

- Usted y quienes lo acompañen deberán usar siempre la protección ocular diseñada para proteger los ojos al utilizar la pistola Airsoft.
- Siempre apunte la pistola Airsoft en una DIRECCIÓN SEGURA.
- No dispáre hacia superficies duras o hacia la superficie del agua. El perdigón de plástico puede rebotar y golpear a alguien o algo que usted no tenía intención de golpear.
- NO vuelva a usar los perdigones de plástico ya disparados porque podrían dañar la pistola Airsoft.
- La pistola Airsoft está diseñada para tiro al blanco y es apta para uso en interiores y exteriores. Recuerde siempre colocar su blanco con cuidado. PIENSE en lo que podría golpear si no acierta al blanco.
- La pistola Airsoft está correctamente apuntada cuando el guión está colocado exactamente en el centro de la muesca del alza. La parte superior del guión debe estar a la misma altura que la parte superior del alza. El centro del blanco debe verse sobre la parte superior del guión (Fig. 5).
- Cuando esté seguro del blanco y del respaldo, y el área que rodea al blanco esté libre, quite el seguro ("OFF SAFE") de la pistola Airsoft (sección 2A) y tire del gatillo para disparar.



### 6. Mantenimiento de la pistola Airsoft

- Poner una gota de Pelgunoil® 0241 de Crosman en la punta de cada cilindro de CO<sub>2</sub> ayudará en el mantenimiento de su pistola. NO use aceites ni solventes a base de destilado de petróleo y NO lubrique en exceso, ya que esto puede causar daños a la pistola Airsoft.
- NO MODIFIQUE NI ALTERE SU PISTOLA AIRSOFT. Los intentos de modificar la pistola Airsoft de alguna forma que no esté indicada en este manual, pueden hacer que el uso de la pistola Airsoft no sea seguro, ocasionar lesiones graves, especialmente en los ojos, y además anularán la garantía.
- Si la pistola Airsoft se cae, obsérvela para verificar que funcione correctamente antes de volver a usarla.
- Si le parece que se ha modificado algo, como por ejemplo que el gatillo está más corto o más débil, podría ser un indicio de que las piezas están gastadas o rotas. Llame al Centro de Atención al Cliente de Crosman para obtener asistencia antes de volver a usar la pistola Airsoft.

#### A. Cómo limpiar el cargador

- Extraiga el cargador
- Limpie con un paño la parte exterior del cargador
- Rocie una pequeña cantidad de aceite Crosman Nitro Lubricant en el tubo de municiones
- Vuelva a colocar el cargador

#### B. Para limpiar el cañón del arma de aire suave

- Rocie una almohadilla de limpieza con aceite Crosman NitroLubricant.
- Con la almohadilla en la baqueta, introdúzcala en el cañón para limpiarlo
- Recorra el cañón 3 ó 4 veces
- Repita el procedimiento de limpieza con una almohadilla seca
- El cañón está limpio cuando las almohadillas salen limpiadespués de recorrerlo.

#### C. Eliminar un atascamiento

- Nunca mire por el extremo del cañón para ver si se ha eliminado un atascamiento.
- Asegúrese de que el rifle de aire suave tenga el seguro activado ("ON SAFE") y esté apuntado en una DIRECCIÓN SEGURA.
  - Quite el cargador.
  - Inserte el extremo ahusado de la varilla de limpieza en el cañón.
  - CUIDADOSAMENTE y con lentitud, aplique más presión hasta que empuje la munición sacándola de la recámara.
  - Vuelva a instalar el cargador y pruebe el rifle.

### 7. Revisión de Seguridad

- Nunca apunte la pistola Airsoft hacia una persona. Nunca apunte la pistola Airsoft hacia un objeto al que no desee disparar.
- Siempre trate la pistola Airsoft como si estuviera cargada y con el mismo respeto con el que utilizaría un arma de fuego.
- Siempre apunte en una DIRECCIÓN SEGURA. Mantenga siempre la boca de la pistola Airsoft apuntando hacia una DIRECCIÓN SEGURA.
- Mantenga siempre activado el seguro ("ON SAFE") de la pistola Airsoft hasta que esté listo para disparar en una DIRECCIÓN SEGURA.
- Siempre compruebe que el seguro de la pistola Airsoft esté colocado ("ON SAFE") y que la pistola esté descargada al recibirla de otra persona o al sacarla del sitio en donde se guarda.
- Mantenga siempre el dedo alejado del gatillo y fuera del guardamonte hasta que esté listo para disparar.
- Usted y quienes lo acompañen siempre deben usar protección ocular para protegerse los ojos.
- Siempre utilice protección ocular diseñada para Airsoft sobre sus gafas normales.
- Use perdigones de plástico BB de 6 mm únicamente.
- No vuelva a usar los perdigones de plástico ya disparados porque podrían dañar la pistola Airsoft.
- No dispáre hacia superficies duras o hacia la superficie del agua. El perdigón de plástico puede rebotar y golpear a alguien o algo que usted no tenía intención de golpear.
- Reemplace el respaldo si está desgastado. Coloque el respaldo en un lugar que sea seguro en caso de que no resista el impacto y sea perforado.
- Debe revisar el desgaste del respaldo antes y después de cada uso. Todos los respaldos sufren desgaste y, eventualmente, dejan de ser útiles. Reemplace su respaldo si observa que la superficie está desgastada o dañada, o si rebota la munición.
- No intente desarmar o modificar la pistola Airsoft.
- NO MODIFIQUE NI ALTERE SU PISTOLA AIRSOFT. Los intentos de modificar la pistola Airsoft de alguna forma pueden hacer que el uso de la pistola Airsoft no sea seguro, ocasionar lesiones graves o la muerte y, además, anularán la garantía.
- El uso de centros de reparación no autorizados o la modificación del funcionamiento de su pistola Airsoft de cualquier forma pueden ser prácticas inseguras y anularán la garantía.
- No guarde la pistola Airsoft cargada. Asegúrese de que TODOS los perdigones de plástico BB estén descargados de la pistola Airsoft.
- Siempre guarde la pistola Airsoft en un lugar seguro.

### ESPECIFICACIONES

Mecanismo	BB Repeater	Miras	Delantera: guión fijo Posterior: muesca fija
Calibre/Munición	perdigón plástico BB de 6 mm	Capacidad	hasta 16 perdigones BB
Fuente de alimentación	cartucho de 12 gramos de CO <sub>2</sub>	Velocidad	hasta 400 pies (121.9 m) por segundo
Largo	11 pulgadas (27.94 cm)	Seguro	deslizante
Peso	1.0 lb (453.5 g)		

**DESEMPEÑO:** Muchos factores pueden afectar la velocidad, entre ellos la marca del proyectil, el tipo de proyectil y el estado del cañón.

#### ALTO. NO DEVUELVA SU PRODUCTO A LA TIENDA.

Nuestros representantes de servicio al cliente le ayudarán. Puede obtener respuestas a preguntas muy frecuentes en [www.crosman.com](http://www.crosman.com) o puede comunicarse con nosotros directamente al 1-800-7AIRGUN (1-800-724-7486)

#### ATENCIÓN AL CLIENTE

Si su pistola Airsoft no funciona, recomendamos que llame al Servicio de atención al cliente de Crosman Corporation al 1-800-724-7486 o 585-657-6161. (Los clientes internacionales deberán comunicarse con sus distribuidores.) NO INTENTE DESARMARLA. Si la desarma, es probable que no pueda volver a armarla correctamente. Crosman no asume ninguna responsabilidad o garantía bajo dichas circunstancias.

Para un desempeño óptimo, use municiones Crosman únicamente. El uso de municiones de marcas que no sean Crosman puede causar que su producto funcione mal y podría anular la garantía.

#### GARANTÍA LIMITADA POR 30 DÍAS

Este producto está garantizado para el comprador minorista durante 30 días a partir de la fecha de compra al por menor, por defectos de materiales y mano de obra; asimismo, esta garantía es transferible.

#### ALCANCE DE LA COBERTURA

Piezas de repuesto y mano de obra. Cargos de transporte al consumidor para los productos reparados.

#### EXENCIONES DE LA COBERTURA

Cargos de transporte a Crosman por el producto. Daños ocasionados por abuso, modificación o negligencia en la realización del mantenimiento habitual. Cualquier otro gasto. DAÑOS INDIRECTOS, DAÑOS INCIDENTALES O GASTOS INCIDENTALES. INCLUIDOS LOS DAÑOS A LA PROPIEDAD. EN ALGUNOS ESTADOS NO SE PERMITE LA EXCLUSIÓN O LIMITACIÓN DE LOS DAÑOS INCIDENTALES O INDIRECTOS. EN TALES CASOS, LA EXCLUSIÓN O LIMITACIÓN PREVIA NO SE APLICARÁ.

#### RECLAMOS DE GARANTÍA

**Cientes de los Estados Unidos:** incluya su nombre, dirección, descripción del problema, número de teléfono y una copia del recibo de compra del producto. Póngalo en su empaque y devuélvalo a Crosman Corporation, Routes 5 & 20, East Bloomfield, NY 14443.  
**Cientes de Canadá:** comuníquese con Gravel Agency llamando al 418-682-3000, ext. 46  
**Cientes internacionales:** devuelva el producto a su distribuidor más cercano. Si no conoce cuál es su distribuidor más cercano, llame al 585-657-6161 y solicite la asistencia del Departamento Internacional.

#### GARANTÍAS IMPLÍCITAS

TODA GARANTÍA IMPLÍCITA, INCLUIDAS LAS GARANTÍAS IMPLÍCITAS DE APTITUD COMERCIAL Y ADECUACIÓN PARA UN FIN DETERMINADO, TIENEN UNA VIGENCIA LIMITADA DE 30 DÍAS A PARTIR DE LA FECHA DE COMPRA MINORISTA. EN ALGUNOS ESTADOS NO SE PERMITEN LAS LIMITACIONES RESPECTO DE LA VIGENCIA DE LA GARANTÍA; EN TAL CASO NO SE APLICARÁN LAS LIMITACIONES ANTES MENCIONADAS.

En la medida en que cualquier disposición de esta garantía esté prohibida por las leyes federales, estatales o municipales, y que no pueda sustituir a dichas leyes, la disposición no será aplicada. Esta garantía le otorga derechos específicos amparados por ley y es posible que usted tenga otros derechos, de acuerdo con las normas de cada estado.

Undead Apocalypse es una marca comercial registrada de Crosman Corporation en los Estados Unidos.