



CROSSBOW OWNER'S MANUAL

TABLE OF CONTENTS

GENERAL USE	2
Introduction.....	2
General Use & Operation Warnings	2
General Use & Operation Safety Guidelines.....	5
Crossbow Type Overview.....	7
Quiver Overview.....	8
FOOT STIRRUP/CAST RISER CROSSBOW MODELS	9
Quiver Bracket Installation.....	10
Attaching Riser/Limb Assembly to Stock.....	10
Attaching Foot Stirrup to Stock.....	11
Quiver Installation.....	12
Optional Extended Butt Pad Adjustment	12
Optional Butt Stock Adjustment.....	12
Optional Crank Cocking Device Cover	12
STEP-THROUGH RISER CROSSBOW MODELS	13
Quiver Bracket Installation.....	14
Attaching Riser/Limb Assembly to Stock.....	14
Quiver Installation.....	15
Optional Extended Butt Pad Adjustment	16
Optional Retractable Underarm Counter-Balance Support (RUCS) System.....	16
Optional Butt Stock Adjustment.....	16
Optional Crank Cocking Device Cover	16
REVERSE DRAW CROSSBOW MODELS	17
Quiver Bracket Installation.....	18
Attaching Riser/Limb Assembly to Stock.....	18
Optional Palm Rest Installation	20
Attaching Foot Stirrup to Stock.....	20
Quiver Installation.....	21
Optional Extended Butt Pad Adjustment	21
RECURVE CROSSBOW MODELS	22
Quiver Bracket Installation.....	23
Attaching Limb Assembly to Stock.....	23
Quiver Installation.....	24
Extended Butt Pad Adjustment	25
UNIVERSAL CROSSBOW OPERATIONS	25
Scope/Red Dot Sight Installation & Adjustment.....	25
Cocking the Crossbow.....	26
Loading the Crossbow	28
Soft-Lok™ Floating Bristle Arrow Retainer	29
Firing the Crossbow	29
Unloading the Crossbow.....	30
EQUIPMENT SELECTION	31
Arrow Selection & Proper Flight	31
Broadhead Selection.....	31
CARE & MAINTENANCE	32
Equipment Inspection	32
Care of String & Cables.....	32
Storage & Transport.....	32
TROUBLESHOOTING	33
WARRANTY & REGISTRATION INFORMATION	34
NORTH AMERICAN CROSSBOW FEDERATION	35
ARROW SPEED APPENDIX	36

DO NOT RETURN PRODUCT TO STORE.

For product assistance or questions, please contact Barnett Consumer Care at (800) 237-4507.

You must register your Barnett crossbow within 10 days of purchase by visiting barnettcrossbows.com/warranty or by calling (800) 237-4507 to validate the warranty.

INTRODUCTION

Thank you for purchasing this quality Barnett crossbow. As the original pioneer of the modern-day crossbow, we've worked tirelessly to create a product you can enjoy for years.

To ensure you get the most out of your crossbow, this Owner's Manual outlines important safety information, product details, care and use instructions and troubleshooting tips. **It is incumbent that you read this Owner's Manual in its entirety prior to attempting to assemble or operate your crossbow.**

After complete assembly of your crossbow, please keep this Owner's Manual for future reference. If for any reason you should lend or sell your crossbow to another party, it is your responsibility to transfer this Owner's Manual to the new user or owner.

Barnett crossbows are high-performance products. As such, mishandling or misuse may result in serious injury to yourself or others, damage to your crossbow or poor performance. It's critical that you maintain a regular maintenance schedule so your crossbow continues to function at a high level.

If any information included in this Owner's Manual is unclear, feel free to contact our service department toll-free at (800) 237-4507.

Barnett products may be covered by one or more of the registered patents listed on our website. For a comprehensive list of potentially applicable patents, please visit barnettcrossbows.com/patents.

We sincerely appreciate your confidence in our products and brand. Enjoy your new crossbow.

GENERAL USE & OPERATION WARNINGS

To ensure years of continued safe and proper function, it is essential that you review a few wearable components each time before you operate your crossbow. Please reference your crossbow model's appropriate diagram in this manual to locate each of these components. If any of these items show signs of wear, please do not operate your crossbow and contact Barnett Consumer Care at (800) 237-4507 for service or replacement parts.

Arrow Nocks – Worn arrow nocks can cause issues with proper string engagement. Ensure nocks are properly aligned (perpendicular to the odd colored vane) and do not exhibit any change in profile. Do not use worn or damaged nocks.

Arrow Retainer – The arrow retainer is critical to preventing dry fires. The Soft-Lok™ floating bristle arrow retainer should last for the normal life of your crossbow, but should be reviewed to ensure it remains intact and properly retains the arrow.

Cables and String – The cables and string should be checked for any signs of fraying, tearing or splitting before each use. Each and every strand in the cables and string are critical for their function. If there are signs of wear, replace the cables and/or string before using your crossbow.

Cable Slide – If applicable, the cable slide should be checked to ensure it properly retains the cables and fits firmly against the stock.

Cocking Action – Your Barnett crossbow should cock freely and easily with no binding. Any binding indicates potential internal component wear. If the crossbow does not cock freely and easily, have the crossbow serviced before further use.

Limbs – Limbs can become damaged due to impact, rough handling or misuse. Damaged limbs can break or shatter if the crossbow is fired. Check over limbs for any signs of splintering, cracking, gouging or delamination. Do not fire a crossbow with damaged limbs.

Trigger – Internal trigger components can experience wear with high use, which may cause changes in trigger action and pull weight. Be aware of any changes in pull weight or binding when actuating the trigger. Have the crossbow serviced if there are such signs of wear.

“WARNING!” statements have been placed throughout this Owner’s Manual and in WARNING placards on your new Barnett crossbow. These statements highlight important safety information and instructions, which, if not followed, could endanger the personal safety and/or property of the operator. Failure to comply with these instructions and/or warnings may result in catastrophic crossbow and/or property damage and may lead to serious injury or death! When you see a “WARNING!” statement, please heed its message.

WARNING

Crossbows can be dangerous and potentially fatal when mishandled and/or misused. Safe use of your Barnett crossbow is your personal responsibility. Failure to follow safety guidelines and instructions in this Owner’s Manual may result in serious injury or death!

WARNING

Never place fingers or thumbs on, in or near the arrow/flight track, the string and/or the cables. Placing fingers or thumbs on, in or near the arrow/flight track, the string and/or the cables may result in serious injury, including finger and/or thumb amputation.

WARNING

DO NOT allow any foreign object(s) on, in and/or near the arrow/flight track, the string and/or the cables. Allowing any foreign objects, including tree branches, vines, tree bark, clothing, hunting accessories (e.g., binoculars, rangefinders, game calls, pull-up/hoist ropes, etc.) on, in and/or near these areas may result in crossbow and/or property damage and may lead to serious injury or death!

WARNING

Never “dry fire” (i.e., release a cocked crossbow string without a recommended arrow properly loaded into the receiver) your crossbow. Dry firing this Barnett crossbow will immediately void your warranty and result in catastrophic damage to the crossbow. Should this Barnett crossbow dry fire, it must be inspected by a qualified Barnett service representative prior to further use. Failure to follow these instructions may result in serious injury!

WARNING

Under no circumstances should you attempt to use your rope cocking device to de-cock your crossbow. Attempting to do so will put you at immediate risk of personal injury and will result in catastrophic damage to your crossbow. Failure to follow these instructions may result in serious injury!

WARNING

Never attempt to use improperly spined (stiffness), improperly weighted (less than 380 grains) and/or improperly sized (length) arrows. Attempting to use improperly spined, weighted and/or sized arrows will immediately void your warranty, may cause crossbow and/or property damage and may lead to serious injury!

WARNING

You must use arrows designed for crossbows. These arrows must be equipped with half-moon or moon nocks. The use of arrows with nocks other than half-moon or moon nocks will immediately void your warranty, may lead to catastrophic crossbow and/or property damage and may lead to serious injury!

WARNING

This Barnett crossbow is equipped with an automatic anti-dry fire safety mechanism which engages when the crossbow is cocked. An arrow must be loaded into the arrow/flight track to release the safety and the safety must be disengaged or in the "off/fire" position before each shot. This, as with any other mechanical device, does not guarantee total safety. The crossbow trigger is only to be pulled when the safety is in the "off" position—never when it is in the "on" position or anywhere between "on" and "off" positions. Failure to follow these instructions may result in serious injury!

WARNING

Do not allow children under the age of 16 and/or older children who have not been properly trained to handle, operate and/or otherwise use this Barnett crossbow and/or its accessories without proper adult supervision. Crossbows are serious sporting implements and should be treated as such. Failure to follow these instructions may result in serious injury or death!

WARNING

Barnett trigger assemblies are intricate and finely tuned mechanisms. Their performance has been optimized at the factory. Under no circumstances should you attempt to mechanically modify or tamper with any part of the trigger assembly, including but not limited to: the trigger or its sub-assemblies, the safety or the anti-dry fire device. Attempting to modify or modifying any portion thereof will result in malfunction of the triggering system as well as an unsafe and potentially deadly condition. Such actions will immediately void your warranty. Failure to follow these instructions may result in serious injury or death!

WARNING

Never attempt to cock a crossbow while in an elevated tree stand. Failure to follow these instructions may result in serious injury or death!

WARNING

Under no circumstance should you attempt to de-cock your crossbow by hand. Attempting to do so puts you at immediate risk of personal injury and may result in catastrophic damage to your crossbow. Failure to follow these instructions may result in serious injury!

WARNING

You must wear quality, close-toed shoes or boots while operating this Barnett crossbow. Never operate this product barefooted. Sandals, house shoes, socks/stockings, open-toed shoes, slippers, etc. must not be worn when operating this Barnett crossbow. Failure to follow these instructions may result in serious injury!

GENERAL USE & OPERATION SAFETY GUIDELINES

The safe operation of this Barnett crossbow is your personal responsibility. To get the optimal performance out of your new crossbow, please keep the following in mind when operating and maintaining it.

- ALWAYS inspect the crossbow and arrows prior to each use. Frayed and/or worn strings and cables must be replaced immediately and never fired. Bent and/or damaged arrows/nocks are not safe to fire and should be discarded. NEVER attempt to use a damaged arrow or nock.
- ALWAYS keep your fingers below the arrow/flight track and out of the path of the string and cables. Should the string strike your fingers, they may be amputated.
- ALWAYS use arrows designed for crossbows that are the appropriate weight and length. Attempting to use "compound arrows," "vertical bow arrows" or "recurve bow arrows" (i.e., full-length arrows) will immediately void your warranty, lead to catastrophic crossbow and/or property damage and may lead to serious injury.
- ALWAYS use arrows with moon or half-moon nocks. Attempting to fire a crossbow with incorrect arrow nocks, non-regulation nocks and/or damaged nocks will result in a dry fire. Dry firing this Barnett crossbow will result in catastrophic crossbow damage, immediately void the warranty and may result in serious injury or death.
- NEVER attempt to use wooden arrows with any Barnett crossbow. Attempting to use wooden arrows will immediately void your warranty, lead to catastrophic crossbow and/or property damage and may lead to serious injury or death.
- NEVER attempt to use improperly spined (stiffness) and/or improperly weighted arrows (less than 380 grains). Attempting to use improperly spined and/or weighted arrows will immediately void your warranty, lead to catastrophic crossbow and/or property damage and may lead to serious injury or death.
- ALWAYS make certain the arrow is properly loaded, with the odd-colored vane (fletching) facing down and the anti-dry fire device fully engaged, thus precluding a dry fire.

- NEVER attempt to fire this Barnett crossbow until you are sure of your intended target.
- ALWAYS use a crossbow-approved target/backstop. Using an inadequate target/backstop will result in dangerous conditions and may result in personal injury and/or property damage.
- ALWAYS wear safety glasses when assembling, cleaning, cocking, loading or shooting this Barnett crossbow.
- ALWAYS keep the string, cables and arrow/flight track well lubricated with lube wax.
- ALWAYS wear quality close-toed shoes or boots while operating a crossbow. Bare feet, flip flops, house shoes, slippers, socks/stockings or open-toed shoes should not be worn when operating a crossbow.
- NEVER attempt to transport, carry and/or stalk with a loaded crossbow.
- NEVER attempt to store a cocked and/or loaded crossbow.
- NEVER attempt to fire this Barnett crossbow when obstructions are present (e.g., tree branches, vines, leaves, etc.) which block or encumber the limbs, string, cables and/or arrow's flight path. Attempting to fire an obstructed crossbow will lead to catastrophic crossbow and/or property damage and may lead to serious injury or death.
- ALWAYS protect broadheads with a quiver when storing, transporting or not in use to prevent contact with the string and/or cables. Keep broadheads out of children's reach. Mishandled broadheads may lead to serious injury or death.
- NEVER attempt to use a Barnett crossbow for any purpose other than hunting or target shooting. Any other use will immediately void your warranty, lead to catastrophic crossbow and/or property damage and may lead to serious injury or death.
- NEVER consume drugs and/or alcohol before or while attempting to operate a Barnett crossbow. Such behavior may impair your ability to use this product safely and responsibly.
- NEVER modify this Barnett crossbow and/or its accessories. Modifying a crossbow and/or accessories will immediately void your warranty, lead to catastrophic crossbow and/or property damage and may lead to serious injury or death.
- ALWAYS wear a full-body fall arrest harness when hunting from an elevated position. Refer to your tree stand owner's manual for specific safety harness use instructions.
- NEVER attempt to carry or haul a Barnett crossbow up or down a tree while climbing. Use a pull-up or hoist rope of sufficient strength to haul the crossbow up or down after safely securing yourself in a tree stand with a full-body fall arrest harness attached.
- NEVER attempt to use this Barnett crossbow if you have a history of heart problems, back problems and/or any other physical impairment, which may limit your ability to use and/or operate this Barnett crossbow in a safe manner.
- NEVER allow bystanders to stand in front of or beside you while operating this Barnett crossbow. Bystanders must stand a significant distance BEHIND the shooter's location.
- ALWAYS grip the rope cocking device firmly, in a manner which precludes it slipping from your hands while cocking this Barnett crossbow. NEVER attempt to cock this Barnett crossbow with wet or damp hands. Should the cocking device slip while cocking this crossbow, serious injury and/or equipment damage may result.

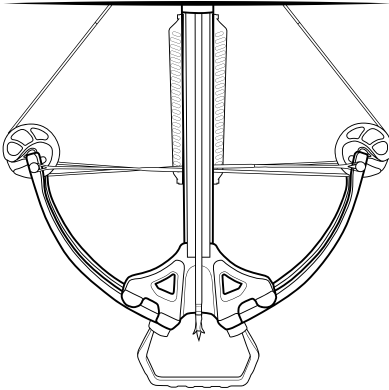
- NEVER attempt to perform service and/or repair to this Barnett crossbow yourself. Service and/or repairs should be performed by a qualified Barnett service representative only. Attempting to perform service/repairs to this Barnett crossbow will immediately void your warranty, lead to catastrophic crossbow and/or property damage and may lead to serious injury or death.
- NEVER attempt to cock this Barnett crossbow with anything other than an authorized cocking accessory sold by Barnett. Attempting to cock this crossbow with anything other than a Barnett-certified accessory will immediately void your warranty and may lead to catastrophic crossbow and/or property damage or serious injury.

CROSSBOW TYPE OVERVIEW

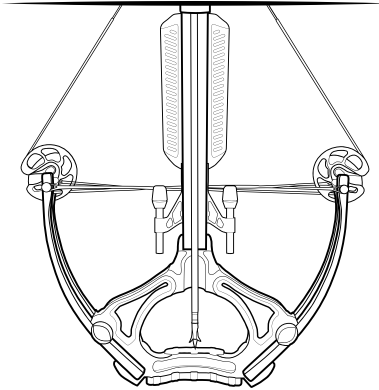
Individual shooting styles and personal preferences in crossbow equipment vary greatly. No single crossbow model or design will suit the needs of all archers. As such, Barnett offers many models and styles of crossbow to accommodate a variety of hunting and target shooting applications. Refer to the "Crossbow Components" charts and illustrations to identify which Barnett crossbow model you have purchased.

Please note each crossbow model has its own unique operational intricacies. As you read through this Owner's Manual, make certain you are reading and following the instructions for your specific crossbow model.

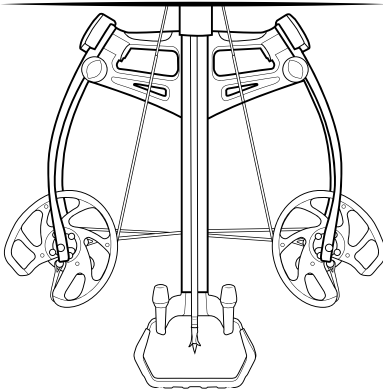
FOOT STIRRUP/CAST RISER MODELS



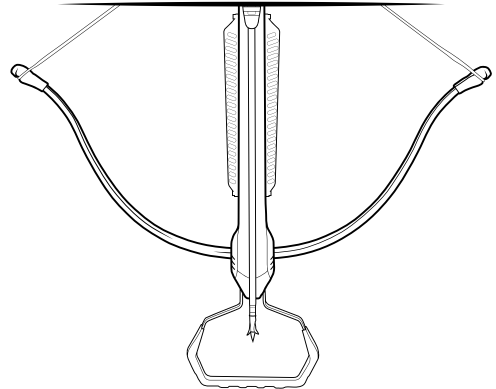
STEP-THROUGH RISER MODELS



REVERSE DRAW MODELS



RECURVE MODELS

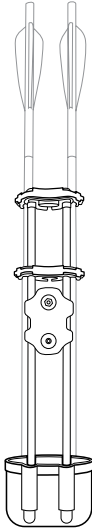


QUIVER OVERVIEW

All Barnett crossbows come packaged with an accompanying quiver. See below for an overview of the two quiver types. If you choose to mount the supplied quiver to your Barnett crossbow, it is imperative that you install the quiver bracket BEFORE completing any assembly steps (including connecting the riser and the limbs).

Please note each quiver requires certain installation procedures. As you read through this Owner's Manual, please ensure you are reading and following the instructions for your specific quiver.

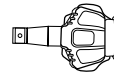
QUIVER



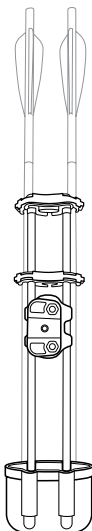
LIGHTWEIGHT QUIVER BRACKET



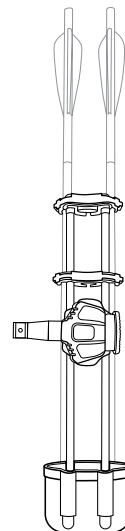
SIDE-MOUNT QUIVER BRACKET



LIGHTWEIGHT QUIVER BRACKET ATTACHED

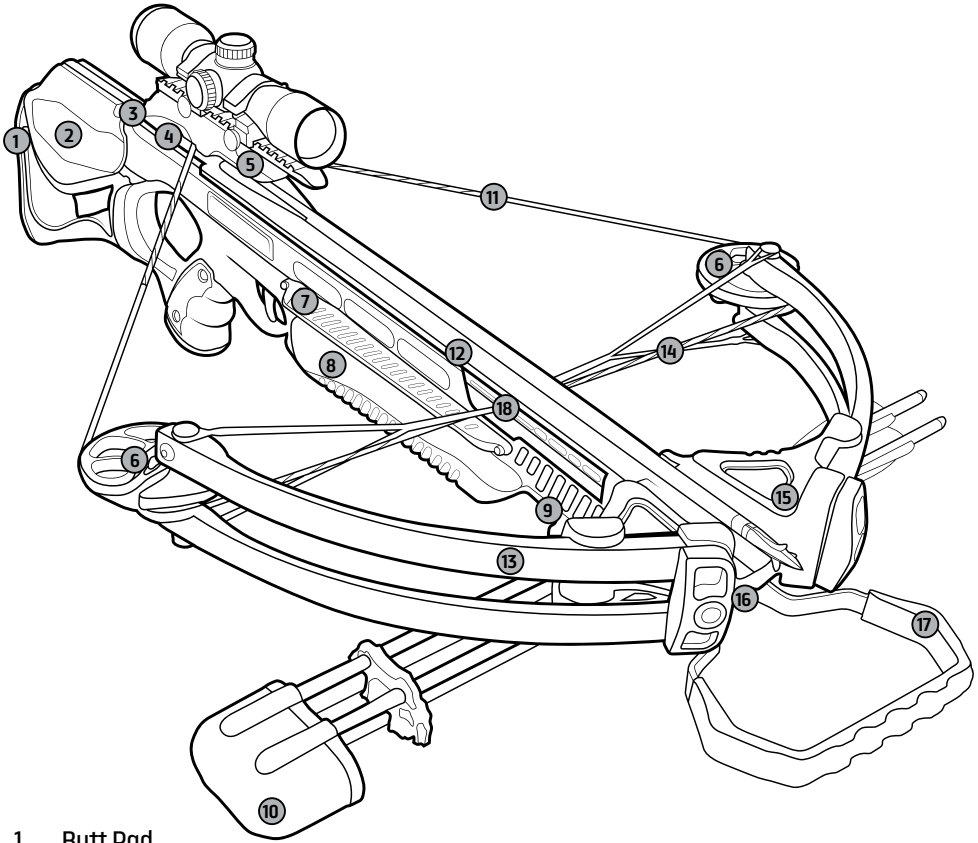


SIDE-MOUNT QUIVER BRACKET ATTACHED

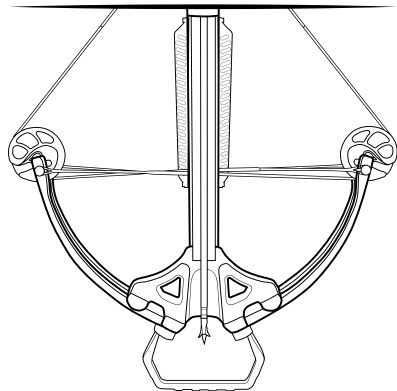


FOOT STIRRUP/CAST RISER CROSSBOW MODELS

CROSSBOW COMPONENTS



1. Butt Pad
2. Crank Cover Plate
3. Rope Cocking Device Groove
4. Safety Mechanism
5. Arrow Retainer
6. Cams
7. Finger Safety Reminders
8. Foregrip
9. Picatinny Rail
10. Quiver
11. String
12. Arrow/Flight Track
13. Limbs
14. Cables
15. Riser
16. Nose Bolt
17. Foot Stirrup
18. Cable Slide (not in all models)



Shown with optional accessories (i.e. scope, quiver, arrows, etc.)

ASSEMBLY GUIDE (FOOT STIRRUP/CAST RISER MODELS)

IMPORTANT: The quiver bracket must be installed prior to the riser and limb assembly. If your crossbow package includes a cable slide, it must also be installed prior to attaching the riser and limb.

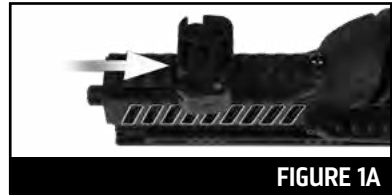
QUIVER BRACKET INSTALLATION

NOTE: This step is optional depending on if you wish to attach the supplied quiver to your crossbow. The quiver bracket screw is preset in the quiver bracket.

ITEMS NEEDED

- Barnett Foot Stirrup/Cast Riser Stock
- Quiver Bracket
- One (1) Quiver Bracket Screw
- Hex Key

1. Slide the quiver bracket over the accessory rail as shown in Figure 1A. Bracket may be placed based on preference, but ensure the quiver bracket does not partially or fully cover the accessory mounting holes on either end of the rail.
2. Insert the quiver bracket screw into the threaded hole of the quiver bracket. Secure using the supplied hex key.

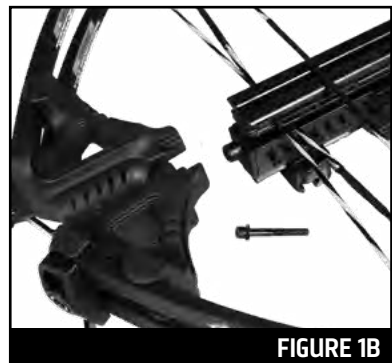


ATTACHING RISER/LIMB ASSEMBLY TO STOCK

ITEMS NEEDED

- Barnett Foot Stirrup/Cast Riser Stock
- Riser/Limb Assembly
- Nose Bolt
- Lock Washer
- Hex Key

1. While in a comfortable, seated position, place the butt of the stock on the ground and secure the arrow/flight track between your knees.
2. Place cables under the front edge of the arrow/flight track into the cable slot; this should cause the string to rest on top of the arrow/flight track as shown in Figure 1B. The "string" connects from one cam to the opposite cam. The "cables" are connected to both the limbs and cams. The string should be in contact with the arrow/flight track.
3. Carefully remove the string wrap.
4. Carefully seat the riser into the mounting area on the arrow/flight track. Ensure the cables are properly placed in the fore-end cable track and the string lies above the arrow/flight track.



Assembly Tip: Ensure the tabs on the riser are seated properly on either side of the stock for a proper fit.

5. Place the lock washer on the nose bolt and align the holes of the riser and stock assemblies. Insert the nose bolt through the riser and into the stock.
6. Use the supplied hex key to tighten the nose bolt until the lock washer is compressed.

⚠ WARNING

DO NOT over-tighten the nose bolt. Torque to 70-INCH/pounds or 6-FOOT/pounds. Over-tightening will lead to crossbow assembly damage and potential malfunction. Failure to follow these instructions may result in product failure and/or serious injury!

7. After the first twenty (20) shots, check the tightness of the nose bolt. Initial shooting may loosen the assembly and its mounting hardware.

ATTACHING FOOT STIRRUP TO STOCK

ITEMS NEEDED

- Barnett Foot Stirrup/Cast Riser Crossbow
- Foot Stirrup
- Four (4) #6-32 x 3/8" Screws
- Two (2) Foot Stirrup Vibration Dampeners
- Hex Key

1. Position the crossbow so the arrow/flight track is facing downward.
2. Align the holes of both foot stirrup vibration dampeners. Place the dampeners with the raised portion down into the proper recessed area in the riser as shown in Figure 1C.
3. Align holes and affix the foot stirrup to the riser using the proper hex key and #6-32 x 3/8" screws as shown in Figure 1D.



FIGURE 1C



FIGURE 1D

Assembly Tip: For ease of installation, insert one side of the screws at a time – starting with the lower left. Do not tighten the screws until all four (4) have been installed.

QUIVER INSTALLATION

ITEMS NEEDED

- Barnett Foot Stirrup/Cast Riser Crossbow
- Quiver Bracket
- Quiver
- Arrow Shafts
- Field Points

1. Slide the quiver into the quiver bracket from the side until it snaps into the first mounting hole. Then, rotate the quiver until it snaps in place as shown in Figure 1E.
2. Attach field points to the arrow shafts and place in the quiver. For optimal balance, slide the quiver horizontally to center the arrows underneath the riser assembly.



OPTIONAL ACCESSORIES

NOTE: : These optional accessories are not found on all Foot Stirrup/Cast Riser Crossbow Models and may not be purchased separately or independently.

OPTIONAL EXTENDED BUTT PAD ADJUSTMENT

The butt pad extension is pre-installed from the factory. To adjust it, loosen the screws on the sides at the top and bottom of the stock, then push or pull the pad to the desired stock length. Once the desired length is achieved, firmly re-tighten the screws.

OPTIONAL BUTT STOCK ADJUSTMENT

The seven-position adjustable butt stock customizes the bow's length of pull. To adjust, depress the butt stock lever as shown in Figure 1F. Slide the stock assembly forward or backward to desired length and release the lever to secure. You may need to gently move the stock to ensure the locking pin engages.



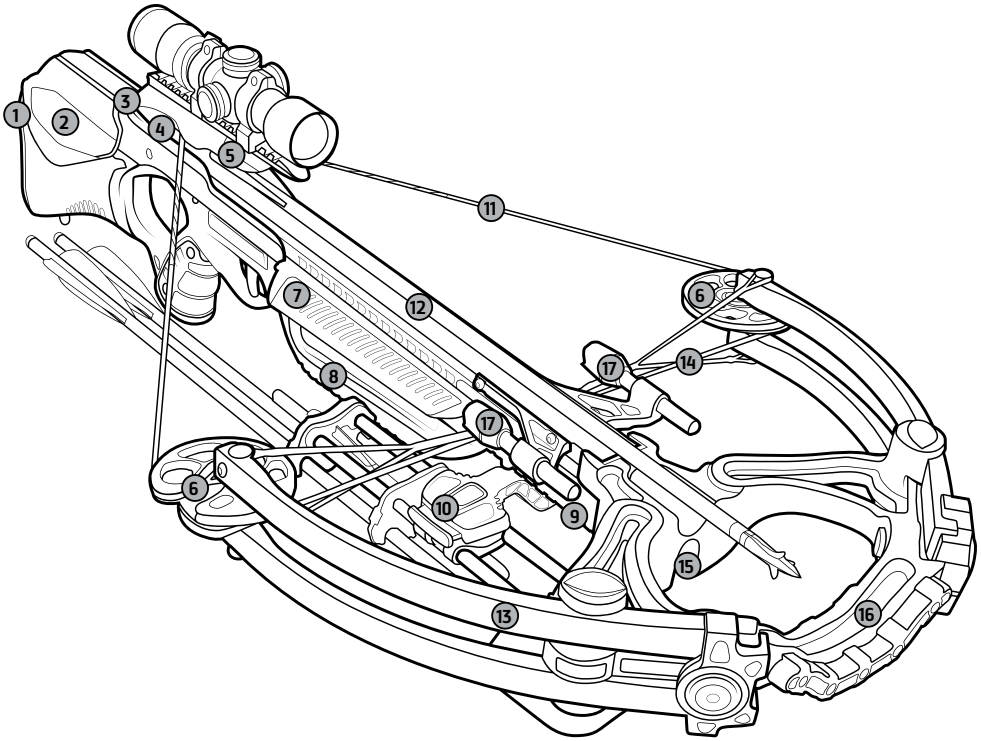
OPTIONAL CRANK COCKING DEVICE COVER

If you choose to purchase an after-market crank cocking device (CCD) for your crossbow, you will need to remove the CCD cover post. To do so, loosen and remove the screw in the post as shown in Figure 1G.

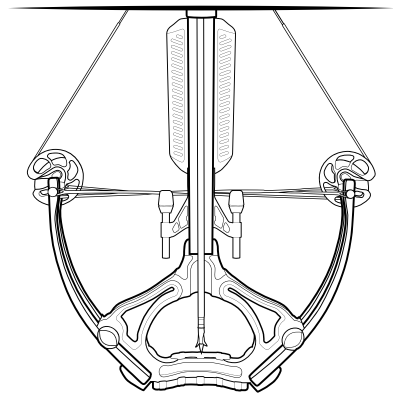


STEP-THROUGH RISER CROSSBOW MODELS

CROSSBOW COMPONENTS



1. Butt Pad
2. Crank Cover Plate
3. Rope Cocking Device Groove
4. Safety Mechanism
5. Arrow Retainer
6. Cams
7. Finger Safety Reminders
8. Foregrip
9. Picatinny Rail
10. Quiver
11. String
12. Arrow/Flight Track
13. Limbs
14. Cables
15. Nose Bolt
16. Riser
17. String Dampeners



Shown with optional accessories (i.e. scope, quiver, arrows, etc.)

ASSEMBLY GUIDE (STEP-THROUGH RISER MODELS)

IMPORTANT: The quiver bracket must be installed prior to the riser and limb assembly.

QUIVER BRACKET INSTALLATION

NOTE: This step is optional depending on if you wish to attach the supplied quiver to your crossbow. The quiver bracket screw is preset in the quiver bracket.

ITEMS NEEDED

- Barnett Step-Through Riser Stock
- Quiver Bracket
- One (1) Quiver Bracket Screw
- Hex Key

1. Slide the quiver bracket over the accessory rail as shown in Figure 2A. Bracket may be placed based on preference, but ensure the quiver bracket does not partially or fully cover the accessory mounting holes on either end of the rail.



FIGURE 2A

Assembly Tip: If your crossbow comes with a side-mount quiver, the quiver bracket may be positioned to mount the quiver on either side of the crossbow based on personal preference.

2. Insert the quiver bracket screw into the threaded hole of the quiver bracket. Secure using the supplied hex key, as shown in Figure 2B.



FIGURE 2B

ATTACHING RISER/LIMB ASSEMBLY TO STOCK

ITEMS NEEDED

- Barnett Step-Through Riser Stock
- Riser/Limb Assembly
- Nose Bolt
- Lock Washer
- Hex Key

1. While in a comfortable, seated position, place the butt of the stock on the ground and secure the arrow/flight track between your knees.
2. Place cables under the front edge of the arrow/flight track into the cable slot; this should cause the string to rest on top of the arrow/flight track as shown in Figure 2C. The "string" connects from one cam to the opposite cam. The "cables" are connected to both the limbs and cams. The string should be in contact with the arrow/flight track.
3. Carefully remove the string wrap.

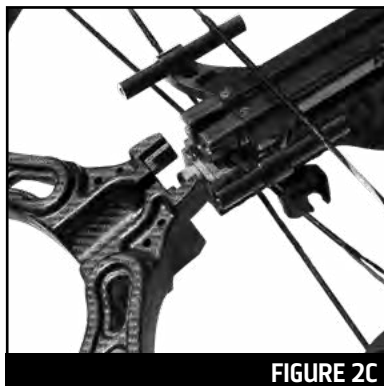


FIGURE 2C

- Carefully seat the riser into the mounting area on the arrow/flight track. Ensure the cables are properly placed in the fore-end cable track and the string lies above the arrow/flight track.

Assembly Tip: *Ensure the tabs on the riser are seated properly on either side of the stock for a proper fit.*

- Place the lock washer on the nose bolt and align the holes of the riser and stock assemblies. Insert the nose bolt through the riser and into the stock.
- Use the supplied hex key to tighten the nose bolt until the lock washer is compressed.

⚠ WARNING

DO NOT over-tighten the nose bolt. Torque to 70-INCH/pounds or 6-FOOT/pounds. Over-tightening will lead to crossbow assembly damage and potential malfunction. Failure to follow these instructions may result in product failure and/or serious injury!

- After the first twenty (20) shots, check the tightness of the nose bolt. Initial shooting may loosen the assembly and its mounting hardware.

QUIVER INSTALLATION

NOTE: *All Barnett Step-Through Crossbow Models come with one of two quiver designs: a side-mount quiver or a lightweight quiver. Refer to your quiver assembly package to confirm which quiver you have, and proceed to the appropriate section for assembly instructions.*

SIDE-MOUNT QUIVER INSTALLATION

ITEMS NEEDED

- Barnett Step-Through Riser Crossbow
- Side-Mount Quiver
- Quiver Bracket
- Arrow Shafts
- Field Points

- Press the button located on the side of the quiver bracket and insert the quiver into the mounting holes as shown in Figure 2D.
- Align the mounting holes on the underside of the quiver bracket with the corresponding mounts on the quiver.
- Attach field points to the arrow shafts and place in the quiver. Make certain the quiver does not come in contact with the riser assembly or limbs after installation.



NOTE: *To remove the quiver from the quiver bracket, simply press the quick-release button located on the side of the bracket.*

LIGHTWEIGHT QUIVER INSTALLATION

ITEMS NEEDED

- Barnett Step-Through Riser Crossbow
- Quiver Bracket
- Lightweight Quiver
- Arrow Shafts
- Field Points

1. Slide the quiver into the quiver bracket from the side until it snaps into the first mounting hole. Then, rotate the quiver until it snaps in place, as shown in Figure 2E.
2. Attach field points to the arrow shafts and place in the quiver. For optimal balance, slide the quiver horizontally to center the arrows underneath the riser assembly.

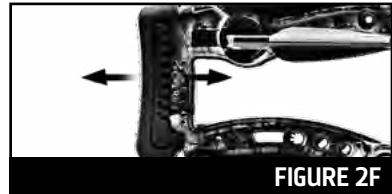


OPTIONAL ACCESSORIES

NOTE: *These optional accessories are not found on all Step-Through Riser Crossbow Models and may not be purchased separately or independently.*

OPTIONAL EXTENDED BUTT PAD ADJUSTMENT

The butt pad extension is pre-installed from the factory. To adjust it, loosen the screws on the sides at the top and bottom of the stock, then push or pull the pad to the desired stock length. Once the desired length is achieved, firmly re-tighten the screws. (Refer to Figure 2F.)



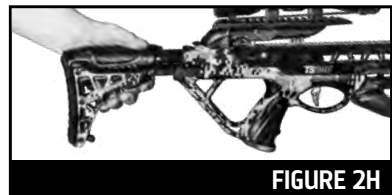
OPTIONAL RETRACTABLE UNDERARM COUNTER-BALANCE SUPPORT (RUCS) SYSTEM

The Retractable Underarm Counter-Balance Support (RUCS) System aids in balance to help hold the bow upright. To open the RUCS System, press the locking lever and rotate open. (Refer to Figure 2G.) To close, press the locking lever and rotate back to the original position.



OPTIONAL BUTT STOCK ADJUSTMENT

The seven-position adjustable butt stock customizes the bow's length of pull. To adjust, depress the butt stock lever as shown in Figure 2H. Slide the stock assembly forward or backward to desired length and release the lever to secure. You may need to gently move the stock to ensure the locking pin engages.



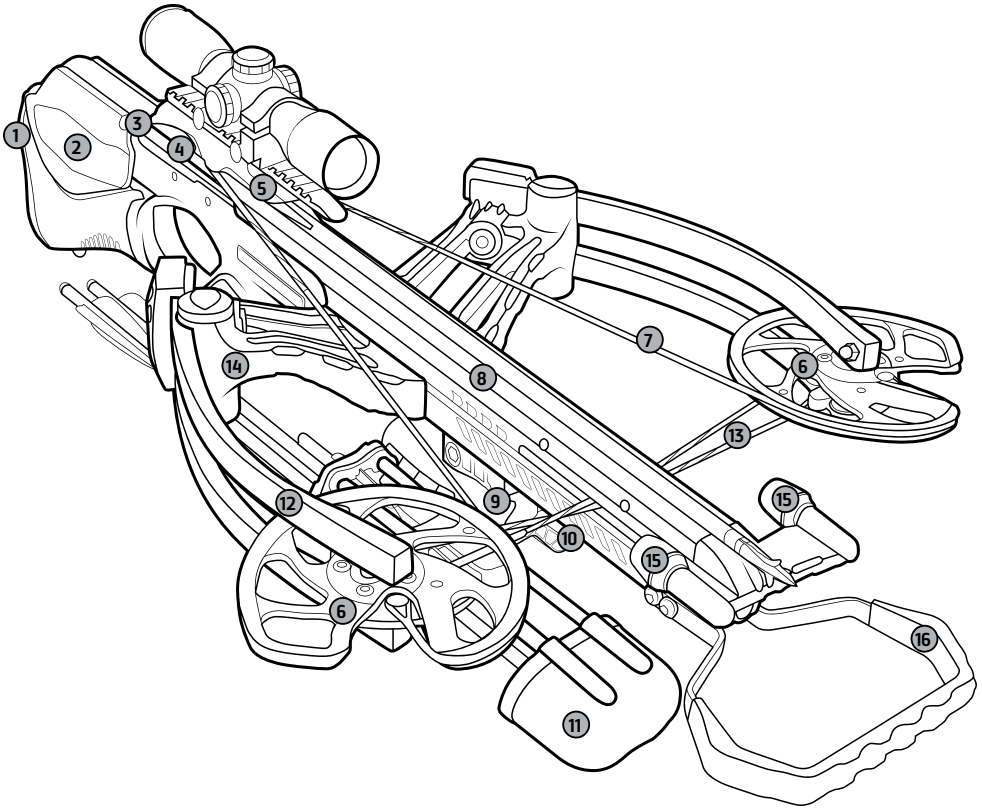
OPTIONAL CRANK COCKING DEVICE COVER

If you choose to purchase an after-market crank cocking device (CCD) for your crossbow, you will need to remove the CCD cover post. To do so, loosen and remove the screw in the post as shown in Figure 2I.

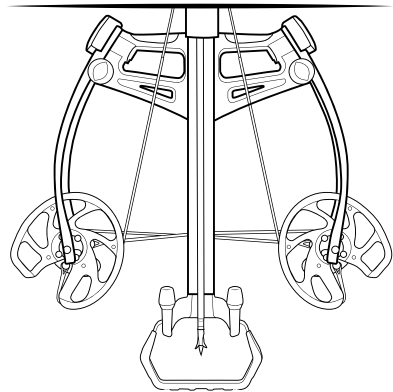


REVERSE DRAW CROSSBOW MODELS

CROSSBOW COMPONENTS



1. Butt Pad
2. Crank Cover Plate
3. Rope Cocking Device Groove
4. Safety Mechanism
5. Arrow Retainer
6. Cams
7. String
8. Arrow/Flight Track
9. Foregrip
10. Picatinny Rail
11. Quiver
12. Limbs
13. Cables
14. Riser
15. String Dampeners
16. Foot Stirrup



Shown with optional accessories (i.e. scope, quiver, arrows, etc.)

ASSEMBLY GUIDE (REVERSE DRAW MODELS)

IMPORTANT: The quiver bracket must be installed prior to the riser and limb assembly. The quiver bracket can either be found in your quiver package or pre-installed on the picatinny rail.

QUIVER BRACKET INSTALLATION

NOTE: This step is optional depending on if you wish to attach the supplied quiver to your crossbow. The quiver bracket screw is preset in the quiver bracket. Skip this step if the quiver bracket is pre-installed on your crossbow.

ITEMS NEEDED

- Barnett Reverse Draw Crossbow Stock
- Quiver Bracket
- One (1) Quiver Bracket Screw
- Hex Key

1. Slide the quiver bracket over the accessory rail as shown in Figure 3A. Bracket may be placed based on preference, but ensure the quiver bracket does not partially or fully cover the accessory mounting holes on either end of the rail.



FIGURE 3A

Assembly Tip: The quiver bracket may be positioned to mount the quiver on either side of the crossbow based on personal preference.

2. Insert the quiver bracket screw into the threaded hole of the quiver bracket. Secure using the supplied hex key, as shown in Figure 3B.



FIGURE 3B

ATTACHING RISER/LIMB ASSEMBLY TO STOCK

ITEMS NEEDED

- Barnett Reverse Draw Crossbow Stock
- Riser/Limb Assembly
- Two (2) String Dampeners
- Nose Bolt
- Hex Key
- Two (2) Socket Head Cap Screws (not in all models)
- Two (2) or Four (4) Riser Bolts (depending on model)
- Two (2) Cover Plate Bolts (not in all models)
- One (1) Riser Cover Plate (not in all models)

1. While in a comfortable, seated position, place the butt of the stock on the ground and secure the arrow/flight track between your knees.
2. Place cables under the front edge of the arrow/flight track into the cable slot; this should cause the string to rest on top of the arrow/flight track as shown in Figure 3C. The "string" connects from one cam to the opposite cam. The "cables" are connected to both the limbs and cams. The string should be in contact with the arrow/flight track.

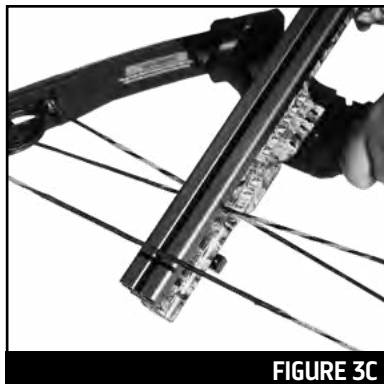


FIGURE 3C

NOTE: *The string dampener should be affixed to the front of the arrow/flight track before installing the riser. (This will make it easier to attach the socket head screws in the coming steps.)*

3. Carefully remove the string wrap.
4. Align holes of string dampeners and stock assembly. Insert the nose bolt through the string dampeners and into the stock, then partially tighten.
5. If you do not have an assembly package with socket head cap screws, skip to step 6. Install the two (2) socket head cap screws into both sides of the arrow/flight track to secure the string dampeners. Using the proper hex keys, tighten the nose bolt and socket head cap screws on either side of the arrow/flight track as shown in Figure 3D.



FIGURE 3D

⚠ WARNING

DO NOT over-tighten the nose bolt. Torque to 70-INCH/pounds or 6-FOOT/pounds. Over-tightening will lead to crossbow assembly damage and potential malfunction. Failure to follow these instructions may result in product failure and/or serious injury!

6. Carefully seat the riser into the mounting area on the arrow/flight track. Ensure the cables are properly placed in the fore-end cable track and the string lies above the arrow/flight track.
7. Depending on which assembly package you have, insert four (4) or two (2) bolts into the holes in the bottom of the riser as shown in Figure 3E. Partially tighten each bolt first, then tighten all bolts until they are snug. Be careful not to over-tighten.
8. If your assembly package includes a riser cover plate, align the plate with the holes on the riser and attach it using the two cover plate bolts.
9. After the first twenty (20) shots, check the tightness of all bolts and screws. Initial shooting may loosen the assembly and its mounting hardware.



FIGURE 3E

OPTIONAL PALM REST INSTALLATION

ITEMS NEEDED

- Barnett Reverse Draw Crossbow
- Palm Rest
- Two (2) #10-24 x ½ Bolts

Note: *This assembly is not applicable for all reverse draw crossbow models. If your bow comes pre-installed with a palm rest, press the button on the side to adjust.*

1. Position the crossbow flat with bottom facing upwards. DO NOT rest the bow on the scope as this may cause unintended damage.
2. Align the holes in the palm rest with the threaded holes in the stock as shown in Figure 3F.
3. Insert the two (2) #10-24 x ½ bolts through the palm rest and tighten.



FIGURE 3F

ATTACHING FOOT STIRRUP TO STOCK

ITEMS NEEDED

- Barnett Reverse Draw Crossbow
- Foot Stirrup
- Two (2) Side Covers (not in all models)
- Two (2) ¼"-20 Bolts
- Two (2) Acorn Nuts
- Two (2) Washers (not in all models)

1. Compress the legs of the foot stirrup and carefully insert into the grooves located on the lower front end of the arrow/flight track.
2. Line up the grooves of the foot stirrup legs with the holes located on the side of the arrow/flight track.
3. If your accessory package includes side covers, place them over the corresponding foot stirrup legs on either side of the stock.
4. Insert one (1) ¼"-20 bolt through the side cover (if applicable), foot stirrup leg and into the stock. Place a washer on the screw (if applicable). Install the acorn nut over the threaded portion of the bolt. Tighten until snug as shown in Figure 3G. Repeat Step 4 for the second hole in the side cover.



FIGURE 3G

Assembly Tip: *The foot stirrup does not need to be disconnected to remove the riser assembly.*

SIDE-MOUNT QUIVER INSTALLATION

ITEMS NEEDED

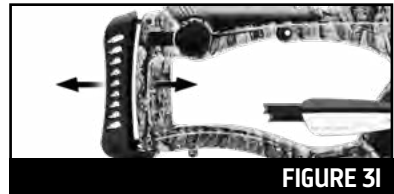
- Barnett Reverse Draw Crossbow
- Side-Mount Quiver
- Quiver Bracket
- Field Points
- Arrow Shafts

1. Press the button located on the side of the quiver bracket and insert the quiver into the mounting holes as shown in Figure 3H.
2. Align the mounting holes on the underside of the quiver bracket with the corresponding mounts on the quiver.
3. Attach field points to the arrow shafts and place in the quiver. Make certain the quiver does not come in contact with the riser assembly or limbs after installation.



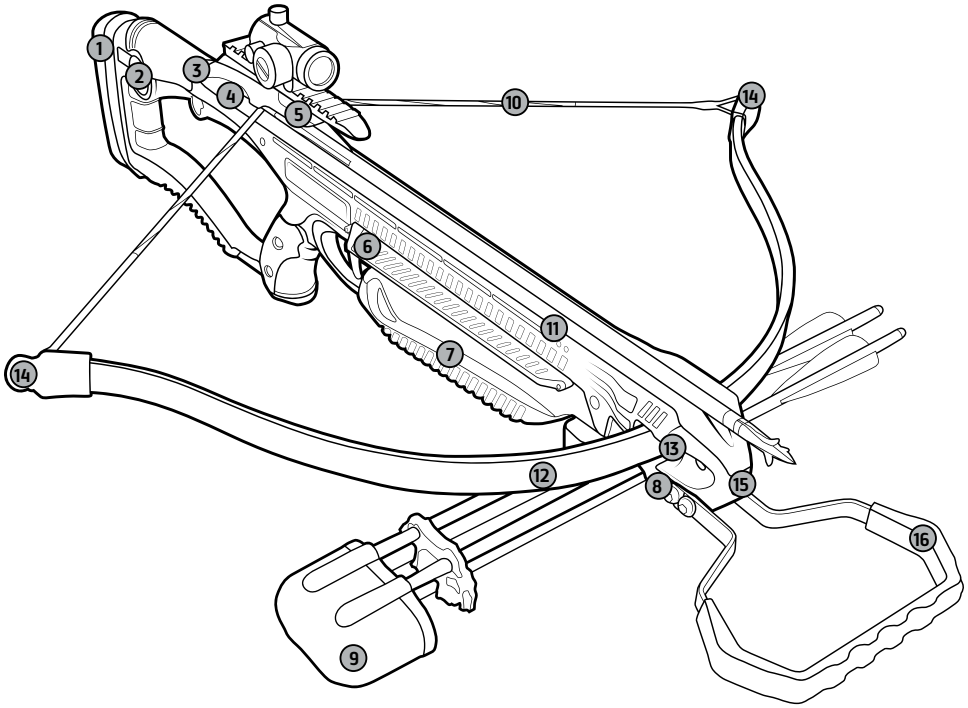
OPTIONAL EXTENDED BUTT PAD ADJUSTMENT

The butt pad extension is pre-installed from the factory. To adjust it, loosen the screws on the sides at the top and bottom of the stock, then push or pull the pad to the desired stock length. Once the desired length is achieved, firmly re-tighten the screws. (Refer to Figure 3I.)

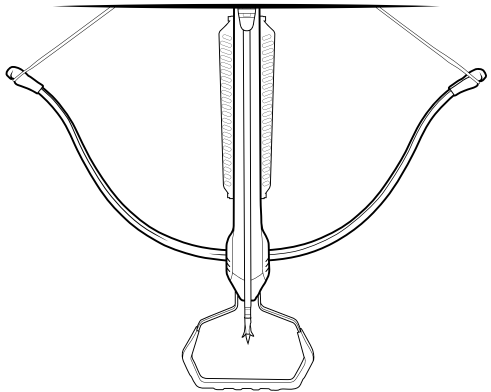


RECURVE CROSSBOW MODELS

CROSSBOW COMPONENTS



1. Butt Pad
2. Crank Cover Plate
3. Rope Cocking Device Groove
4. Safety Mechanism
5. Arrow Retainer
6. Finger Safety Reminders
7. Foregrip
8. Picatinny Rail
9. Quiver
10. String
11. Arrow/Flight Track
12. Limb
13. Pressure Plate
14. Limb Nock End
15. Nose Bolt
16. Foot Stirrup



Shown with optional accessories (i.e. scope, quiver, arrows, etc.)

ASSEMBLY GUIDE (RECURVE MODELS)

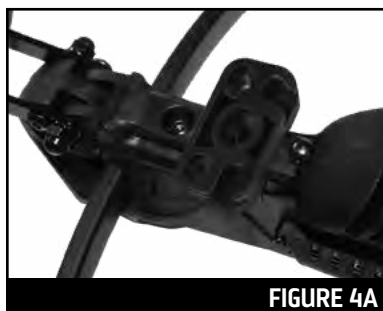
IMPORTANT: The quiver bracket must be installed prior to the riser and limb assembly.

QUIVER BRACKET INSTALLATION

NOTE: This step is optional depending on if you wish to attach the supplied quiver to your crossbow. The quiver bracket screw is preset in the quiver bracket.

ITEMS NEEDED

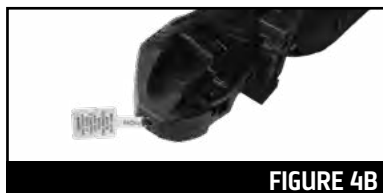
- Barnett Recurve Crossbow Stock
 - Quiver Bracket
 - One (1) Quiver Bracket Screw
 - Hex Key
1. Open the nose cone latch on the bottom side of the nose cone and slide the quiver bracket over the picatinny rail.
 2. Insert the quiver bracket screw into the threaded hole of the quiver bracket. Secure using the supplied hex key, as shown in Figure 4A.



ATTACHING LIMB ASSEMBLY TO STOCK

ITEMS NEEDED

- Barnett Recurve Crossbow Stock
 - Limb Assembly
 - Hex Key
 - Disc Pressure Pad
 - Two (2) Hex Nuts
 - Three (3) Bolts
 - Two (2) Lock Washers
 - Threaded Locking Plate
 - Foot Stirrup
1. Verify the hex nut and socket head screw are pre-installed from the factory. Loosen the socket head cap screw, then read and remove the "CAUTION" tag, as shown in Figure 4B.
 2. Open the nose cone latch and insert the limb with the centered gray limb mark aligned with the middle of the nose cone. Ensure the string is resting above the arrow/flight track, as shown in Figure 4C.



Assembly Tip: DO NOT remove the socket head screw from the nut.

3. Center the limb mark on top of the limb with the stock assembly. The mark should be visible through the opening on top of the limb housing.
4. Insert the disc pressure pad into the nose cone and ensure the plate is flush against the center of the limb. The disc pressure pad should now be between the limb and hex nut, as shown in Figure 4D.

5. Loosely secure the limb to the nose cone by tightening the nose bolt with the supplied hex key.
6. Insert one (1) hex nut into the recessed area on top of the stock, closest to the front of the bow, as shown in Figure 4E.
7. Close the nose cone latch and insert the supplied bolt through the latch and stock. Very loosely secure using the supplied hex key. (Refer to Figure 4F.)
8. Beginning with the hole closest to the limb, loosely secure the foot stirrup to the nose cone using the two (2) bolts, two (2) lock washers and threaded locking plate. (Refer to Figure 4G.)

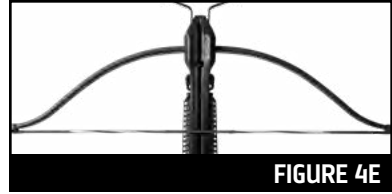


FIGURE 4E



FIGURE 4F

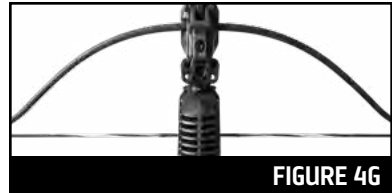


FIGURE 4G

⚠ WARNING

DO NOT over-tighten the nose bolt at this stage; this may result in damage to the limb latch.

9. Secure all elements by tightening the bolts in the following order: 1. foot stirrup; then 2. nose cone latch; and lastly 3. nose bolt.
10. After the first twenty (20) shots, check the tightness of the nose bolt. Initial shooting may loosen the assembly and its mounting hardware.

⚠ WARNING

DO NOT over-tighten the nose bolt. Tighten the nose bolt only enough to prevent unwanted movement of the limbs. Over-tightening the nose bolt will crush the fiberglass and permanently damage the limbs.

QUIVER INSTALLATION

ITEMS NEEDED

- Barnett Recurve Crossbow
- Quiver
- Arrow Shafts
- Field Points

1. Slide the quiver onto the quiver bracket from the side until it snaps into the first mounting hole. Then, rotate the quiver until it snaps in place, as shown in Figure 4H.
2. Attach field points to the arrow shafts and place in the quiver. For optimal balance, slide the quiver horizontally to center the arrows underneath the crossbow and limbs.



FIGURE 4H

EXTENDED BUTT PAD ADJUSTMENT

The butt pad extension is pre-installed from the factory. To adjust it, loosen the screws on the sides at the top and bottom of the stock, then push or pull the pad to the desired stock length. Once the desired length is achieved, firmly re-tighten screws. (Refer to Figure 4I.)



UNIVERSAL CROSSBOW OPERATIONS

When operating a crossbow, always remember these important safety rules:

- Treat the crossbow as if it is always loaded
- Never point the crossbow at anything other than your intended target
- Keep your finger off the trigger and the safety engaged until ready to shoot
- Know your target and what is beyond it

SCOPE/RED DOT SIGHT INSTALLATION

ITEMS NEEDED

- Barnett Crossbow
 - Scope or Red Dot Sight Box
 - Parts Package
 - Flat Head Screwdriver OR Hex Key
1. Shoulder the crossbow in a shooting position and estimate the placement of the scope or red dot sight by placing it on the picatinny rail at the proper eye relief distance. Adjust until the view through the optic is clear with a full field of view. Loosen the scope rail mounting screws and place the scope or sight on the picatinny scope rail. (Refer to Figure 5A.)



Assembly Tip: Ensure the scope rail mounts sit perfectly level on the picatinny scope rail. The adjustable scope ring screws may need to be loosened to ensure the scope rail mounts sit perfectly flat.

2. Secure the optic onto the picatinny rail by using a flat head screwdriver or hex key to tighten the picatinny rail mounting screws to the picatinny rail, as shown in Figure 5B.

For red dot sights, skip Steps 3 through 5. Continue onto Step 3 for scope installation.

3. Loosen the adjustable scope ring screws equally to fine-tune the reticle level and eye relief. Eye relief can be adjusted by moving the scope forward or backward as needed.
4. Adjust the reticle level by twisting the scope until the lines in the reticle are parallel with the crossbow limbs. Re-tighten all screws evenly when adjustment is complete.
5. Once the scope is mounted, level and secure, adjust the focus by turning the focus ring clockwise and counterclockwise until the reticle is clear.



Assembly Tip: DO NOT over-tighten the adjustable scope/red dot scope ring screws. Over-tightening may result in damage to your optic.

Assembly Tip: Be sure to tighten the windage/elevation caps and the scope mount rings before shooting the crossbow to preclude them from coming loose and potentially lost during crossbow operation.

COCKING THE CROSSBOW

There are two different methods to cock your new Barnett crossbow: 1. A rope cocking device (preferred method supplied with this crossbow) or 2. An installed crank cocking device (optional accessory). Please refer to the instructions included with the optional crank cocking device (sold separately) for further detail on its operation.



It's essential that you inspect the rope cocking device cord for frays or damage prior to cocking. A frayed or damaged cord may break and result in catastrophic damage to your crossbow and/or may result in serious personal injury. If the rope cocking device shows any signs of wear, DO NOT use it. Contact your local dealer or a Barnett customer service representative at (800) 237-4507 for replacement instructions.

Should you experience any binding or tension while attempting to use the rope cocking device, STOP IMMEDIATELY. Check for any unusual strain on the limbs, cams, string and cables during the cocking process. Attempting to cock a crossbow which is bound in any manner may result in serious personal injury and catastrophic crossbow and/or property damage. If you discover any binding/interference, immediately contact a Barnett customer service representative at (800) 237-4507 for instructions.

WARNING

Never attempt to fire a Barnett crossbow with the rope cocking device engaged. Attempting to do so will result in catastrophic equipment failure and may result in serious personal injury.

WARNING

You must wear quality, close-toed shoes or boots while operating this Barnett crossbow. Never operate this product barefooted. Sandals, house shoes, socks/stockings, open-toed shoes, slippers, etc. must NOT be worn when operating this Barnett crossbow. Failure to follow these instructions may result in serious injury!

WARNING

NEVER attempt to cock this Barnett crossbow without the assistance of the rope cocking device or an optional crank cocking device. Attempting to cock this Barnett crossbow by hand is dangerous. Failure to follow these instructions may result in product damage and/or serious injury!

WARNING

This Barnett crossbow was designed to be cocked using the supplied, Barnett-branded rope cocking device. NEVER substitute another manufacturer's rope cocking device, crank cocking device or homemade cocking device when attempting to cock this Barnett crossbow. Doing so may result in serious personal injury, catastrophic crossbow and/or property damage and will immediately void your warranty.

Performance Tip: Prior to attempting to cock this crossbow, be sure to apply ample lube wax to your string, cables and arrow/flight track.

1. Place the crossbow on flat, dry ground with one foot securely in the stirrup or step-through riser, using the ball of your foot to offset the draw weight. Rest the stock against your thigh. (Refer to Figure 6A.)



2. While holding the rope cocking device in one hand, use your other hand to pull the rope that runs between the rollers back to form a large "U" shape. Locate the rope cocking groove in the stock, as shown in Figure 6B.



3. Loop the center of the rope securely in the rope cocking device groove of the stock behind the scope mount.

4. Place the two (2) hooks of the rope cocking device on the string facing up with one hook on each side of the arrow/flight track, as shown in Figure 6C. If using a cocking sled, hooks should be pointing down.

IMPORTANT: The rope cocking device must be facing up, engaged both on the crossbow string and in the groove of the stock for the crossbow to cock correctly.

5. Firmly grip the handles of the rope cocking device with both hands and pull the crossbow string into the trigger mechanism until you hear an audible "click" and the safety engages to the "SAFE" position. Ensure both hands stay below the arrow/flight track to avoid string lift.

6. The crossbow is now cocked and the rope cocking device can be removed.

Performance Tip: You may shorten the length of the rope cocking device to accommodate your physical stature. To do so, pull the rope knot out from one of the handles and cut the rope to a length that fits you best. Re-knot the rope and pull the knot back into the handle. Be certain the knot is tight and secure.

LOADING THE CROSSBOW

! WARNING

You must use arrows designed for crossbows. These arrows must be of the proper length and equipped with half-moon or moon nocks. The use of arrows with nocks other than half-moon or moon nocks will immediately void your warranty and may lead to catastrophic crossbow and/or property damage and may lead to serious injury!

! WARNING

NEVER attempt to use improperly spined (stiffness), improperly weighted (less than 380 grains) and/or improperly sized (length) arrows. Attempting to use improperly spined, weighted and/or sized arrows will immediately void your warranty, lead to catastrophic crossbow and/or property damage and may lead to serious injury!

1. Turn a properly spined, weighted and sized arrow so the ODD-COLORED vane (fletching) is facing downward.
2. With the arrow in this position, gently slide it along the arrow/flight track while keeping it under the arrow retention spring or Soft-Lok™ floating bristle arrow retainer (depending on which model of crossbow you have purchased). The concave portion of the nock should stay perfectly parallel to the string.
3. Confirm that the arrow nock is engaging the string firmly. If the arrow does not engage the string, your crossbow will fail to fire or may dry fire. Dry firing this crossbow will lead to catastrophic crossbow and/or property damage and may lead to serious injury!

Before Firing: ALWAYS check to make sure the arrow is properly loaded into the trigger mechanism. Failure to do so may cause a dry fire.

SOFT-LOK™ FLOATING BRISTLE ARROW RETAINER (U.S. PATENTS 9,255,755 AND 9,395,143)

The Soft-Lok™ floating bristle arrow retainer self-adjusts to create downward pressure on a properly loaded arrow; there is no adjustment required.

Soft-Lok™ technology should only exert enough pressure to hold the arrow in place. To test this, ensure the tension of the arrow retainer does not lift the front of the arrow off the arrow/flight track more than 1/10 inch. Then, point the crossbow toward the ground to confirm the arrow will not slide forward. If the Soft-Lok™ arrow retainer is damaged or not exerting enough pressure to retain the arrow, the brush assembly should be replaced.

FIRING THE CROSSBOW

⚠ WARNING

NEVER place fingers or thumbs on, in and/or near the arrow, the arrow/flight track, the string or the cables. Placing fingers and/or thumbs on, in or near these areas will result in serious injury, including finger and/or thumb amputation.

⚠ WARNING

Crossbows can be dangerous and potentially fatal when mishandled and/or misused. Safe use of your Barnett crossbow is your personal responsibility. Failure to follow safety guidelines and instructions may result in serious injury or death!



1. Point the crossbow in a safe direction. DO NOT attempt to shoot a solid object, as the arrow may ricochet and potentially harm you or others.
2. Make sure the arrow retainer has maintained the arrow's fully loaded position into the trigger mechanism.
3. Push the safety forward to the "FIRE" position. See Figure 7A.



FIGURE 7A

Performance Tip: The arrow must be properly loaded to disengage the anti-dry fire mechanism. If the anti-dry fire mechanism is not disengaged, the crossbow will not fire.

4. The crossbow will now fire when the trigger is pulled.

Performance Tip: You must disengage the safety prior to every shot.

UNLOADING THE CROSSBOW

The safest and simplest way to unload your crossbow is to shoot the crossbow into an approved crossbow target. Barnett also manufactures several "discharge arrows" which lessen potential wear-and-tear on hunting arrows. Check with your local authorized Barnett crossbow dealer for availability. Barnett does not recommend discharging a crossbow into the ground as the arrow may hit a solid object (i.e., rock, root, etc.) and damage the arrow and/or cause it to ricochet in an unsafe manner. NEVER attempt to de-cock your crossbow using the rope cocking device.

You may leave your crossbow cocked and/or loaded while under your immediate supervision. DO NOT, however, leave a crossbow cocked and/or loaded when outside of your supervision or while being transported. Never leave your crossbow cocked for more than four (4) hours to eliminate stress on your bow and its limbs.

⚠ WARNING

Discharging a crossbow into the ground is not recommended, as this could expose the user to a ricochet hazard. If you do choose to discharge into the ground, you must use a specially designed discharge bolt. Failure to follow these instructions may result in property damage, serious injury or death!

⚠ WARNING

Under no circumstances should you attempt to use your rope cocking device to de-cock your crossbow. Attempting to do so will put you at immediate risk of personal injury and will result in catastrophic damage to your crossbow. Failure to follow these instructions may result in serious injury!

⚠ WARNING

Under no circumstance should you attempt to de-cock your crossbow by hand. Attempting to do so will put you at immediate risk of personal injury and may result in catastrophic damage to your crossbow. Failure to follow these instructions may result in serious injury!

EQUIPMENT SELECTION

ARROW SELECTION & PROPER FLIGHT

Arrows are the greatest variable in a crossbow's accuracy. There are many factors to consider when choosing an arrow: 1. speed; 2. kinetic energy; 3. down range penetration; 4. accuracy; and 5. potential wear on the bow.

Due to the unique design of your Barnett crossbow, it is imperative that only specified arrows are used. The Barnett-branded arrow we feel is weighted for the best performance for your shooting experience is included with your crossbow purchase.

Should you wish to purchase additional arrows, be sure to select an appropriate length that is correctly weighted and "spined" (arrow stiffness) for use with your Barnett crossbow. Check with your local authorized Barnett dealer for further assistance.

TIPS FOR SELECTING ARROWS

1. Target arrows with field points are typically more accurate than broadhead-equipped hunting arrows.
2. Heavier arrows carry more energy down range, while lighter arrows are faster but carry less energy at longer distances.
3. Barnett crossbows require arrows weighing a minimum of 380 grains.

WARNING

Never attempt to use arrows weighing less than 380 grains. Lighter arrows can simulate a dry fire condition and will result in damage to the crossbow, immediately voiding the warranty. Failure to follow these instructions may result in catastrophic damage to the crossbow and may lead to serious injury or death!

ARROW SPEED

The crossbow industry does not have a universal set of standards for calculating "advertised arrow speeds." Instead, manufacturers rely on various arrow weights to calculate speeds. These arrow weights range from 380 grains to 400 grains.

An arrow speed chart is provided in the "Arrow Speed Appendix" with projected arrow speed performance for varying arrow weights. (Refer to page 36.)

BROADHEAD SELECTION

Generally speaking, there are two (2) styles of broadheads: 1. fixed blade; and 2. mechanical broadheads. Fixed blade broadheads offer large cutting surfaces and are fail-proof as they do not "open" mechanically when they hit their target. Mechanical broadheads, with their blades folded-in, "open" when they strike the target. As their blades are "folded" in flight, mechanical broadheads tend to fly more consistently than fixed blade broadheads.

Performance Tip: Fixed blade broadheads exceeding a 13/16" cutting diameter are not recommended for use in your Barnett crossbow as they may fly erratically.

Regardless of which broadhead style you choose, practice with your broadhead-equipped arrows prior to hunting as their performance will vary from that of field point-equipped arrows.

Performance Tip: *Broadhead-equipped arrows may require optic adjustments to accommodate the point-of-impact.*

TARGETS

When practicing with broadhead-equipped arrows, you must use a “broadhead approved” target. These targets are typically made of soft foam or layered foam material. Never attempt to shoot broadhead-equipped arrows into a “bag” style target as they will become tangled with the stuffing and therefore unable to be removed.

CARE & MAINTENANCE

EQUIPMENT INSPECTION

Prior to each crossbow use you must perform a thorough and complete inspection of the following components: 1. cables; 2. cams; 3. limbs; 4. riser; 5. stock assembly; 6. arrow/flight track; 7. screws and bolts (all fasteners); and 8. arrows. You should look for signs of wear, loose parts and any obstructions/issues which might negatively affect crossbow performance. Under no circumstances should you attempt to operate a damaged crossbow or shoot a damaged arrow.

Should you have any questions regarding your crossbow’s operation or performance, please contact a Barnett customer service representative at (800) 237-4507 or barnettcrossbows.com/contact before shooting.

CARE OF STRING & CABLES

To extend the life of your string and cables, it is imperative that you routinely apply lube wax.

Apply lube wax every 5 to 10 shots or when “white fuzz” begins to appear. If the crossbow has been exposed to excessive moisture, more frequent application may be necessary. It’s also a good idea to keep the arrow/flight track and the string’s center serving waxed to reduce friction. Refer to Figure 8A for a breakdown of the three areas that require lube wax.

1. Liberally apply lube wax to all the non-served areas of the cables and string.
2. Vigorously rub the wax into the cables and string by running them between your index finger and thumb while squeezing.
3. Repeat this process until the wax is worked through in all areas where it was applied.
4. Apply wax in a similar fashion to the arrow/flight track. Refer to Figure 8B.

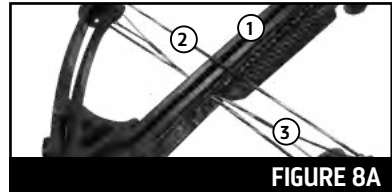


FIGURE 8A



FIGURE 8B

STORAGE & TRANSPORT

Your Barnett crossbow is a high-performance machine. As such, it must be handled with caution and care. Avoid exposing the crossbow to extreme heat (such as closed, hot vehicles), near heat sources or in cold environments. Always store the crossbow in a safe,

dry place out of direct sunlight. Never allow your crossbow to be stored or transported unsecured in a truck bed, on an ATV rack, in a boat, canoe, kayak or any other vessel, or in any other manner which exposes your Barnett crossbow to damage from incidental contact with other structures or implements.

Barnett recommends that you purchase an after-market crossbow case from Plano Molding Company (planomolding.com). Crossbow storage cases provide unparalleled protection and extend the service life of your crossbow investment.

TROUBLESHOOTING

“MY STRING IS NOT CATCHING OR IS JUMPING THE ARROW.”

Check the arrow nock to ensure it has not been damaged.

WARNING

Do not attempt to use a damaged arrow and/or an arrow with suspected damage. Attempting to use a damaged arrow may cause a dry fire. Dry firing a crossbow will lead to catastrophic crossbow and/or property damage and may lead to serious injury or death!

If the arrow nock is intact and the string is jumping the arrow, your string may be worn or damaged. Worn and/or damaged strings must be replaced immediately with genuine Barnett factory strings. NEVER attempt to use a worn or damaged string. Contact a Barnett customer service representative at barnettcrossbows.com/contact or (800) 237-4507 for more information about ordering new strings and cables.

WARNING

Shooting a crossbow with a worn and/or damaged string will lead to a dry fire condition. Dry firing a crossbow will lead to catastrophic crossbow and/or property damage and may lead to serious injury or death!

“MY ARROWS AREN'T FLYING STRAIGHT.”

Check your arrow for straightness, making sure the vanes (fletchings) are not damaged.

Make sure you are loading arrows properly. The arrow should lie true (flat) with the fletching in the arrow/flight track groove and slide smoothly into the trigger mechanism. The arrow may rise slightly at the end of the track, but this will not affect flight.

If you are still having problems, your bow's cams may be misaligned.

“THE STRING APPEARS TO LATCH UNEVENLY, CAUSING THE ARROW TO FAVOR EITHER LEFT OR RIGHT.”

An unevenly cocked crossbow is typically the result of uneven cocking by the user. When cocking your crossbow, pull evenly on the crossbow string with the rope cocking device. To do so, ensure your rope cocking device is evenly spaced and make a conscious effort to hold the string on the arrow/flight track while cocking. Refer to the “Cocking the Crossbow” section on page 26 for further instruction.

“MY STRING OR CABLES ARE FRAYING.”

Make sure to use lube wax on the center string and arrow/flight track every 5 to 10 shots and on the cables when needed.

Keep the trigger mechanism, cams, arrow/flight track and cables free of obstruction(s).

Check for signs of damage and/or wear (e.g., metal burrs) on the arrow/flight track, cable track and/or arrow nocks. Damage and/or wear to these components will lead to rapid wear and/or further damage of the string and/or cables.

WARNING

Do not attempt to shoot a damaged crossbow and/or a crossbow with suspected damage. Attempting to shoot a damaged crossbow will lead to catastrophic crossbow and/or property damage and may lead to serious injury or death!

“MY CROSSBOW HAS WEAK LIMBS AND IS LOSING POWER.”

Dry firing a crossbow may cause the limbs to crack – along with other catastrophic damage, such as bent cams. Check the limbs, cams and all other parts for any possible damage and/or cracks. If damage is evident, have your crossbow inspected and repaired by a qualified Barnett repair service representative before further use.

If there is no visible damage, check that you are using a Barnett string and that it is the correct length. Incorrectly sized strings and cables may damage your bow. Reduce friction by keeping the arrow/flight track and the string/cables served with wax.

Lastly, DO NOT leave a crossbow cocked for extended periods of time. Barnett does not recommend leaving a crossbow cocked for more than four (4) continuous hours.

WARRANTY/REGISTRATION INFORMATION

LIMITED WARRANTY

Subject to the terms, conditions and limitations below, Barnett guarantees that the stock, trigger mechanism and limbs of its crossbows will be free from defects in materials and workmanship that adversely affect the operation of the crossbow under your crossbow warranty, for the original owner only. Covered expenses are parts and labor for repair. Barnett reserves the right to replace any part or crossbow that cannot reasonably be repaired, at its sole discretion.

The following parts not covered by this warranty include, but are not limited to: strings, cables, arrows, accessories, damage to the finish or scratches and normal wear and tear. Transportation charges/shipping charges to and from Barnett’s service center are also not covered.

IMPORTANT: The warranty is VOID if any of the following apply: (1) damage is caused by abuse, misuse, neglect, failure to precisely follow the instructions in the Owner’s Manual and all warning labels; (2) the crossbow or any of its parts or accessories have been modified or altered; (3) there was a failure to perform normal recommended maintenance or repairs; (4) any safety features were disabled, modified or removed; (5) damage is determined by Barnett to have been caused by dry firing or by using anything other than the recommended arrows and nocks; (6) the crossbow is not properly registered, within 10 days of purchase; (7) the crossbow is not an authentic Barnett crossbow or it is determined to have, at any time, been stolen or misappropriated from its rightful owner.

This is the sole and exclusive warranty and there are no warranties which extend beyond the description on the face hereof. The implied warranties of merchantability and fitness for a particular purpose are expressly disclaimed. All disclaimers and limitations of liability apply even if the remedy of repair and replacement fails of its essential purpose. Except as may be prohibited by state law, Barnett Crossbows assumes no liability for incidental, consequential, or special damages or expenses of any kind.

The sole and exclusive remedy pursuant to this warranty is the repair or replacement of the defective part(s) at Barnett's sole discretion.

PRODUCT REGISTRATION

To register your crossbow, please visit barnettcrossbows.com/warranty or call (800) 237-4507.

NOTE: Crossbows must be registered within 10 days of purchase to validate the warranty.

TO OBTAIN SERVICE

Contact the Barnett service department at (800) 237-4507 for a return authorization number (RA#) prior to sending the unit. Write the RA# on the outside of the package along with the words "Service Return." Attach a note to the product containing your name, address, telephone number and a description of the problem. Carefully package and return the product, transportation charges prepaid, to the factory. Collect shipments will not be accepted. Shipments without an RA# issued and listed on the outside of the shipping box will not be accepted.

The warranties and guarantees contained herein are non-transferable and non-assignable. All warranties and guarantees contained herein shall be null and void in the event the original purchaser sells, assigns or conveys the product.

NORTH AMERICAN CROSSBOW FEDERATION

The mission of the North American Crossbow Federation is "to advocate for the use of the crossbow for recreation and as a legal hunting tool for any licensed hunter during all seasons in which archery equipment is permitted."

Annual membership benefits include, but are not limited to:

- Quarterly issues of *Horizontal Bowhunter Magazine*
- Free classified ads in *Horizontal Bowhunter Magazine* to buy/sell/trade crossbow-related merchandise and/or swap hunts
- Five dollars of your NACF membership donated back to your affiliated state crossbow organization in your name*
- Membership package containing your first issue of *Horizontal Bowhunter Magazine*, a membership card and an NACF bumper sticker
- Entries into the NACF Big Game Crossbow Register for your trophy animals taken with horizontal and vertical bows

To apply for membership, please visit northamericancrossbowfederation.com.

**If there is no affiliated state crossbow organization, five dollars will be donated to help bring crossbows to states that are struggling to get crossbow seasons.*

ARROW SPEED & KINETIC ENERGY APPENDIX

CROSSBOW SPEED

KINETIC ENERGY

FT./SEC.	M/SEC.	380-GRAIN ARROW		400-GRAIN ARROW	
		FT LBS	J	FT LBS	J
450	137.16	171	231.84	180	244.04
440	134.112	163	220.99	172	233.20
430	131.064	156	211.50	164	222.35
420	128.016	149	202.01	157	212.86
410	124.968	142	192.52	149	202.01
400	121.92	135	183.03	142	192.52
390	118.872	128	173.54	135	183.03
380	115.824	122	165.40	128	173.54
370	112.776	116	157.27	122	165.40
360	109.728	109	147.78	115	155.91
350	106.68	103	139.64	109	147.78
340	103.632	97.6	132.32	103	139.64
330	100.584	91.9	124.59	96.7	131.10
320	97.536	86.4	117.142	91	123.37
310	94.488	81.1	109.95	85.4	115.78
300	91.44	76	103.04	80	108.46
290	88.392	71	96.26	74.7	101.27
280	85.344	66.2	89.75	69.7	94.50
270	82.296	61.5	83.38	64.8	87.85
260	79.248	57.1	77.41	60.1	81.48
250	76.2	52.7	71.45	55.5	75.24
240	73.152	48.6	65.89	51.2	69.41
230	70.104	44.6	60.46	47	63.72
220	67.056	40.8	55.31	43	58.30
210	64.008	37.2	50.43	39.2	53.14
200	60.96	33.8	45.82	35.5	48.13
190	57.912	30.5	41.35	32.1	43.52
180	54.864	27.3	37.01	28.8	39.04
170	51.816	24.4	33.08	25.7	34.84
160	48.768	21.6	29.28	22.7	30.77
150	45.72	19	25.76	20	27.11



BARNETT™

— EST. 1962 —

Barnett Outdoors, LLC
955 Live Oak Street
Tarpon Springs, FL 34689
(800) 237-4507

consumercare@barnettcrossbows.com



© Barnett Crossbows, LLC. All Rights Reserved.
Second Edition