



## **Smallbore rifles MP 22, MP17**

in calibers .22 LR, .22WMRF & .17HMR



**Zastava**  
a r m s

HANDLING AND MAINTENANCE INSTRUCTION MANUAL



**IMPORTANT! READ THIS MANUAL BEFORE USING FIREARM!**



**PLEASE READ CAREFULLY FOLLOWING PRECAUTIONS BEFORE TAKING YOUR FIREARM OUT OF ITS PACKAGE!**

**SAFE FIREARM HANDLING OF IS YOUR SOLE RESPONSIBILITY AT ALL TIMES!**

**WARNING: ALWAYS KEEP AND CARRY YOUR FIREARM EMPTY TO AVOID ACCIDENTAL DISCHARGE!**

**WARNING : USE OF IMPROPER AMMUNITION CAN DESTROY YOUR FIREARMS**

**FOLLOW THE LAW! OBEY ALL LOCAL STATE AND FEDERAL LAWS REGARDING TRANSPORTING, STORAGE AND OPERATING YOUR FIREARM!**

**DO NOT USE YOUR FIREARM BEFORE YOU GET FAMILIAR WITH USING THIS FIREARM, SEEK PROPER TRAINING BEFORE USING IT FIRST!**

**WARNING: IF CARELESSLY OR IMPROPERLY HANDLED, UNINTENTIONAL FIREARM DISCHARGE COULD POTENTIALLY CAUSE INJURY, DEATH, OR DAMAGE TO PROPERTY.**

**WARNING: CLEANING AND DISCHARGING FIREARMS IN POORLY VENTILATED AREAS MAY RESULT IN EXPOSURE TO LEAD!**

**DO NOT ALTER YOUR FIREARM!**

**This firearm was assembled and tested to function properly in its original condition. Altering of your firearm voids the manufacturer's warranty.**

**THIS MANUAL SHOULD ALWAYS ACCOMPANY THIS FIREARM, AND BE TRANSFERRED WITH IT UPON CHANGE OF OWNERSHIP!**



**ZASTAVA ARMS** name on the weapon that you now own represents quality, reliability and gunsmith tradition since 1853. Your weapon was made in accordance with strict requirements and standards. Only materials of the highest quality have been used for this type of products and tested by our quality control. This owner's manual is designed to assist you in learning how to use and care for your Zastava Arms® firearm properly. We want you to enjoy and practice safe shooting with your ZASTAVA weapon. You may be an experienced shooter, already familiar with the procedures in this Instruction manual, but we urge you to read this entire Instruction manual carefully. You must follow the safety instructions for your safety and the safety of others. Digital copy of this manual can be obtained from Zastava Arms USA website.

*Thank you for choosing our product!*

## STATE-BY-STATE WARNINGS

Certain US states require by law their own specified warning notices, in larger than normal type be conspicuously included by the manufacturer, distributor, or retail dealer with firearms sold in that state. Zastava Arms sells its products in compliance with applicable laws and regulations. Because our products may be sold in these states, we include the following:

### **CALIFORNIA:**

“Children are attracted to and can operate firearms that can cause severe injuries or death. Prevent child access by always keeping guns locked away and unloaded when not in use. If you keep a loaded firearm where a child obtains and improperly uses it, you may be fined or sent to prison.”

### **ADVERTENCIA:**

““A los niños atraen las armas de fuego y las pueden hacer funcionar. Ellos pueden causarse lesiones graves y la muerte. Evite que los niños tengan acceso a las armas de fuego guardándolas siempre con llave y descargadas cuando no las esté utilizando. Si usted tiene una arma de fuego cargada en un lugar en que un niño tiene acceso a ella y la usa indebidamente, le pueden dar una multa o enviarlo a la cárcel.”

### **CONNECTICUT:**

“UNLAWFUL STORAGE OF A LOADED FIREARM MAY RESULT IN IMPRISONMENT OR FINE!”

### **FLORIDA:**

*“IT IS UNLAWFUL, AND PUNISHABLE BY IMPRISONMENT AND FINE, FOR ANY ADULT TO STORE OR LEAVE A FIREARM IN ANY PLACE WITHIN THE REACH OR EASY ACCESS OF A MINOR UNDER 18 YEARS OF AGE OR TO KNOWINGLY SELL OR OTHERWISE TRANSFER OWNERSHIP OR POSSESSION OF A FIREARM TO A MINOR OR A PERSON OF UNSOUND MIND.”*

### **MAINE:**

*“ENDANGERING THE WELFARE OF A CHILD IS A CRIME. IF YOU LEAVE A FIREARM AND AMMUNITION WITHIN EASY ACCESS OF A CHILD, YOU MAY BE SUBJECT TO FINE, IMPRISONMENT OR BOTH. KEEP FIREARMS AND AMMUNITION SEPARATE. KEEP FIREARMS AND AMMUNITION LOCKED UP. USE TRIGGER LOCKS.”*

### **MARYLAND:**

“**WARNING:** Children can operate firearms which may cause death or serious injury. It is a crime to store or leave a loaded firearm in any location where an individual knew or should have known that an unsupervised minor would gain access to the firearm. Store your firearm responsibly!”

### **MASSACHUSETTS:**

This firearm is not equipped with a device that fully blocks use by unauthorized users. More than 200,000 firearms like this one are stolen from their owners every year in the United States. In addition, there are more than a thousand suicides each year by younger children and teenagers who get access to firearms. Hundreds more die from accidental discharge. It is likely that many more children sustain serious wounds, or inflict such wounds accidentally on others.

In order to limit the chance of such misuse, it is imperative that you keep this weapon locked in a secure place and take other steps necessary to limit the possibility of theft or accident. Failure to take reasonable preventative steps may result in innocent lives being lost, and in some circumstances may result in your liability for these deaths."

"IT IS UNLAWFUL TO STORE OR KEEP A FIREARM, RIFLE, SHOTGUN OR MACHINE GUN IN ANY PLACE UNLESS THAT WEAPON IS EQUIPPED WITH A TAMPER RESISTANT SAFETY DEVICE OR IS STORED OR KEPT IN A SECURELY LOCKED CONTAINER. " - *FROM THE MASSACHUSETTS ATTORNEY GENERAL* "

### **NEW JERSEY:**

"IT IS A CRIMINAL OFFENSE TO LEAVE A LOADED FIREARM WITHIN EASY ACCESS OF A MINOR."

### **NEW YORK CITY, NY:**

"THE USE OF A LOCKING DEVICE OR SAFETY LOCK IS ONLY ONE ASPECT OF RESPONSIBLE FIREARMS STORAGE. FOR INCREASED SAFETY, FIREARMS SHOULD BE STORED UNLOADED AND LOCKED IN A LOCATION THAT IS BOTH SEPARATE FROM THEIR AMMUNITION AND INACCESSIBLE TO CHILDREN AND OTHER UNAUTHORIZED PERSONS."

### **NORTH CAROLINA:**

"Any person who resides in the same premises as a minor, owns or possesses a firearm, and stores or leaves the firearm (i) in a condition that the firearm can be discharged and (ii) in a manner that the person knew or should have known that an unsupervised minor would be able to gain access

to the firearm, is guilty of a Class 1 misdemeanor if a minor gains access to the firearm without the lawful permission of the minor's parents or a person having charge of the minor and the minor:

- (1) Possesses it in violation of G.S. 14-269.2(b)
- (2) Exhibits it in a public place in a careless, angry, or threatening manner; (
- 3) Causes personal injury or death with it not in self defense; or
- (4) Uses it in the commission of a crime.!"

### **TEXAS:**

"IT IS UNLAWFUL TO STORE, TRANSPORT, OR ABANDON AN UNSECURED FIREARM IN A PLACE WHERE CHILDREN ARE LIKELY TO BE AND CAN OBTAIN ACCESS TO THE FIREARM."

### **WISCONSIN:**

"IF YOU LEAVE A LOADED FIREARM WITHIN THE REACH OR EASY ACCESS OF A CHILD YOU MAY BE FINED OR IMPRISONED OR BOTH IF THE CHILD IMPROPERLY DISCHARGES, POSSESSES, OR EXHIBITS THE FIREARM."

Please check with your licensed retailer, state police, or local police for additional warnings, which may be required by local law or regulation. Such regulations change constantly, and local authorities are in the best position to advise you on such legal matters.

## SECTION 1 SAFETY

### SAFETY GUIDES & PRECAUTIONS

- 1. ALWAYS HANDLE YOUR FIREARM AS IF IT WERE LOADED** so that you never accidentally discharge it when you think it is unloaded.
- 2. NEVER POINT YOUR FIREARM AT ANY UNDESIRED TARGET**, loaded or unloaded, as accidental discharge causing injury, death or damage to property might occur.
- 3. NEVER SQUEEZE THE TRIGGER OR PUT YOUR FINGER IN THE TRIGGER GUARD UNTIL YOU ARE AIMING AT A TARGET AND READY TO SHOOT.** This will prevent you from firing the firearm when it is pointing in an unsafe direction.
- 4. ALWAYS KEEP AND CARRY YOUR WEAPON EMPTY AND BLOCKED**, EXCEPT WHEN YOU INTEND TO SHOOT, SO THAT IT CANNOT BE FIRED WHEN YOU DO NOT MEAN IT.
- 5. NEVER DRINK ALCOHOLIC BEVERAGES OR TAKE DRUGS BEFORE OR DURING SHOOTING**, as your vision and judgment could be seriously impaired making your weapon handling unsafe.
- 6. NEVER INDULGE IN HORSEPLAY WHILE HOLDING YOUR WEAPON** AS IT MAY BE ACCIDENTALLY DISCHARGED.
- 7. NEVER LEAVE YOUR WEAPON READY TO FIRE**, SINCE THIS POSITION IS EXTREMELY DANGEROUS BECAUSE OF RISK OF ACCIDENTAL DISCHARGE CAUSING SERIOUS INJURY, DEATH OR DAMAGE TO PROPERTY.
- 8. NEVER LEAVE A LOADED WEAPON UNATTENDED.** There is always a chance that someone might use it, and causing injury, death or damage to property.
- 9. ALWAYS KEEP YOUR HANDS AWAY FROM THE BARREL AND EXTERNAL MOVING PARTS** OF THE WEAPON WHILE OPERATING, AS YOU CAN GET HURT.
- 10. ALWAYS BE SURE THAT BARREL INTERIOR IS CLEAN AND THAT THE BORE AND THE MUZZLE ARE CLEAR OF OBSTRUCTIONS.** Clean a fouled weapon immediately, so that it will function correctly and safely.
- 11. ALWAYS WEAR AND ENCOURAGE OTHERS TO WEAR EAR PROTECTION WHEN SHOOTING**, especially on a range. Without ear protection the noise from your weapon and other weapon close to you, could leave ringing in the ears for some time after firing, while the cumulative long term effect could be permanent hearing loss.
- 12. ALWAYS WEAR PROTECTIVE-SHOOTING GLASSES.** There's always a chance that gun powder, gas, carbon residue, lubricant, metallic particles, or other debris that may blow back and injure eyes of the shooter. Injury in such circumstances can be severe, including the possible loss of vision. ENCOURAGE OTHERS TO WEAR SAFETY GLASSES TOO!
- 13. ALWAYS USE ONLY COMMERCIALY MANUFACTURED AMMUNITION** IN GOOD CONDITION (CLEAN, DRY, ORIGINAL, HIGH GRADE) , WHICH IS APPROPRIATE TO THE CALIBER OF YOUR WEAPON.
- 14. NEVER USE AMMUNITION NOT SPECIFICALLY DESIGNATED FOR USE IN YOUR FIREARM.** FAILURE TO USE THE CORRECT TYPE OR CALIBER OF AMMUNITION MAY CAUSE THE FIREARM TO JAM, OR FAIL TO FIRE, OR MAY GENERATE EXCESSIVE PRESSURE WHICH CAN DAMAGE OR EVEN RUPTURE YOUR FIREARM, CAUSING PERSONAL INJURY OR DEATH TO YOU OR BYSTANDERS.

15. **NEVER SHOOT AT A HARD SURFACE OR AT WATER.** A bullet may ricochet and travel in any direction to strike you, or an object you cannot see, causing injury, death or damage to property.

16. **NEVER TAKE ANYONE'S WORD THAT A WEAPON IS UNLOADED!** Check it for yourself first, pointed in a safe direction.

17. **NEVER FIRE YOUR WEAPON NEAR AN ANIMAL UNLESS IT IS TRAINED TO ACCEPT THE NOISE;** an animal's startled reaction could injure it or cause an accident.

18. **ALWAYS BE SURE YOUR BACKSTOP IS ADEQUATE TO STOP AND CONTAIN BULLETS BEFORE BEGINNING TARGET PRACTICE, SO THAT YOU DO NOT HIT ANYTHING OUTSIDE THE RANGE SHOOTING AREA.**

19. **ALWAYS BE ABSOLUTELY SURE OF YOUR TARGET AND THE AREA BEHIND IT BEFORE YOU SQUEEZE THE TRIGGER.** A bullet could travel through or past our target.

20. **NEVER USE YOUR WEAPON IF IT FAILS TO FUNCTION PROPERLY, AND NEVER FORCE A JAMMED ACTION, AS A ROUND MAY EXPLODE CAUSING SEVERE DAMAGE TO YOUR WEAPON, SERIOUS INJURY OR POSSIBLE DEATH.**

21. **KEEP THE WEAPON POINTING TOWARDS THE BACKSTOP WHEN LOADING, FIRING AND UNLOADING, TO ELIMINATE THE RISK OF INJURY, DEATH OR DAMAGE TO PROPERTY.**

22. **ALWAYS INSTRUCT CHILDREN TO RESPECT FIREARMS.** Keep your weapon out of reach of children. The training of all, including children (age determined by law), should be performed by authorized people in institutions equipped and authorized for that kind of activity.

23. **ALWAYS MAKE SURE YOUR WEAPON IS NOT LOADED BEFORE CLEANING, STORING OR TRAVELING, MAGAZINE REMOVED FROM IT, BEFORE YOU STORE IT OR TRANSFER IT TO SOMEBODY ELSE, SO THAT IT CANNOT FIRE ACCIDENTALLY.**

24. **ALWAYS KEEP AND STORE YOUR WEAPON AND AMMUNITION IN SEPARATE LOCKED RECEPTACLES, OUT OF REACH AND SIGHT OF CHILDREN AND UNTRAINED PEOPLE.**

25. **THE SHOOTER (AND ALL BYSTANDERS) MUST BE OUT OF THE LINE OF FIRE** at all times and safe distance away from other shooters, since they may be struck by a ricochet, or by ejected cases from firearms.

**IN CASE OF MISFIRE:** When the weapon fails to fire, keep holding it pointed toward the target or a safe open area and wait at least 60 seconds. If a hang fire (slow ignition) has occurred, round will fire within 60 seconds. If round does not fire, remove magazine eject round, and examine primer. If firing pin indent on primer is light, off center, or non-existent, have the firearm examined by a competent gunsmith. If firing pin indent on primer appears normal (in comparison with similar previously fired rounds) assume faulty ammunition. Segregate mis-fired round from other live ammunition and empty cases, reload and carry on firing.

**LEAD WARNING:** CLEANING AND DISCHARGING FIREARMS in poorly ventilated areas may result in exposure to lead and other substances known to cause birth defects, reproductive harm and other serious injuries. Have adequate ventilation at all times when shooting. Wash hands thoroughly after exposure.





**Fig. 1** Smallbore rifle

## SPECIFICATION

### MODEL

### MP17, Z5

### MP22, Z5

Caliber

17 HMR  
(4.27 mm)

.22 LR, .22 WMRF  
(5.56 mm)

Overall length

1040 mm (41")

1040 mm (41")

Barrel length

560 mm (22")

560 mm (22")

Twist pitch

228.6 mm (9")

406 mm (16")

No. of grooves

6

6

Length of sighting line

406 mm (16")

406 mm (16")

Mass of rifle

2800 g

2800 g

Magazine capacity

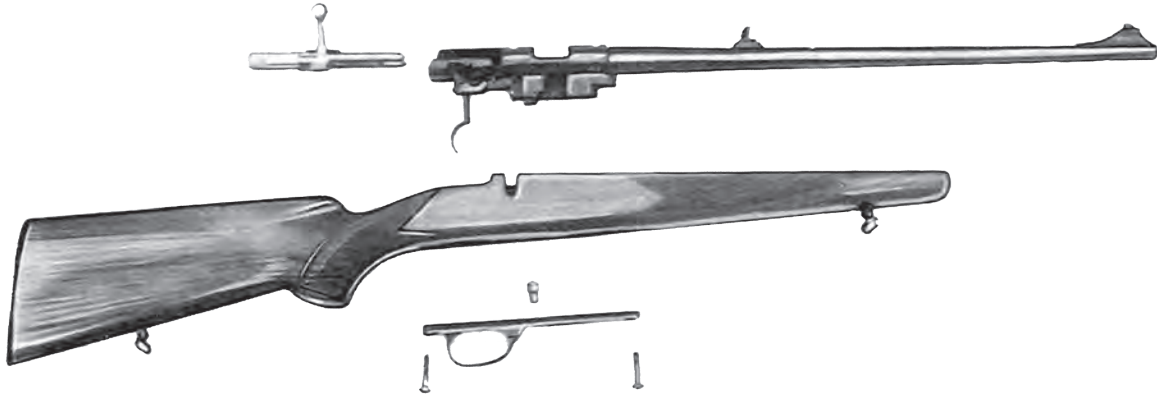
5r ds

5rds

10rds (.22LR) on customer's request

Action: longitudinally sliding, rotating bolt





**Fig. 2** Main assemblies and parts of the rifle

## DESCRIPTION AND FUNCTION

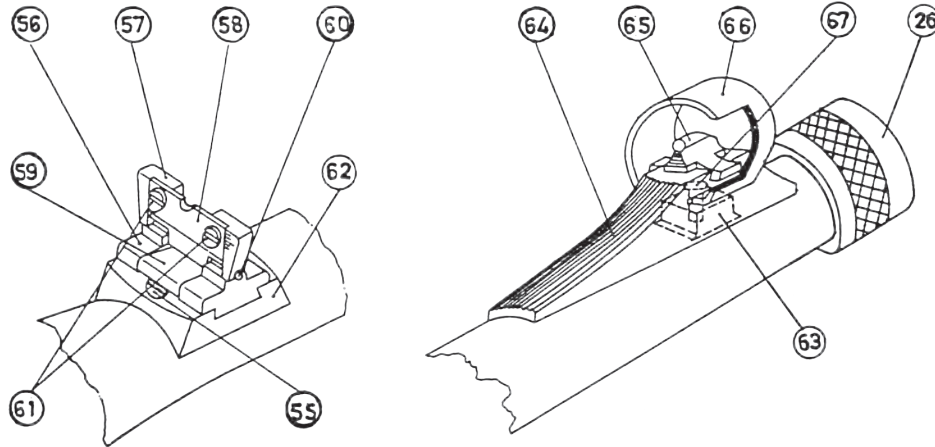
The rifle consists of the following main assemblies and parts (Fig. 2):

- barrel with sights
- action
- bolt
- stock with trigger guard, and
- magazine.

The Smallbore rifle is designed on the basis of a repeating system with rotating, longitudinally sliding bolt.

The magazines are detachable and with capacities of 5 rounds.

The trigger mechanism is adjustable with lateral longitudinally sliding safety.



**Fig. 3** Rear and front sight

### BARREL WITH SIGHTS

The barrel (2) is connected to the receiver (1) by a longitudinally pressed joint and secured against separating by a cross lock pin (3).

There are mechanical sights, rear and front, on the barrel. The rear sight consists of: base (62), plate carrier (57) and plate (58). The carrier can be folded forward. The plate, with aiming notch is fixed to the carrier by two screws. The plate can be moved vertically upon slackening the screws and the plate carrier can be moved within the base channel to the left and right. This

allows for rectification of the sight by moving the rear sight parts only.

The front sight consists of the sight base (64) and ring type sight guard (66). It (65) is fixed and no movement is possible.

Sound moderator version of 22 Long Rifle is threaded and covered with protective ring (26).

Barrel bore is grooved by cold forging procedure which ensures the quality of the surfaces guiding the projectile, free from waves and roughness.

## ACTION

Action of the rifle houses bolt, magazine, trigger parts and others. All the elements are connected to the receiver (1).

Trigger mechanism is adjustable for trigger pull and amount of engagement between the trigger (4) and firing pin (in the bolt). Adjustments are made in the factory and during use of the rifle they can be made in authorized service shops.

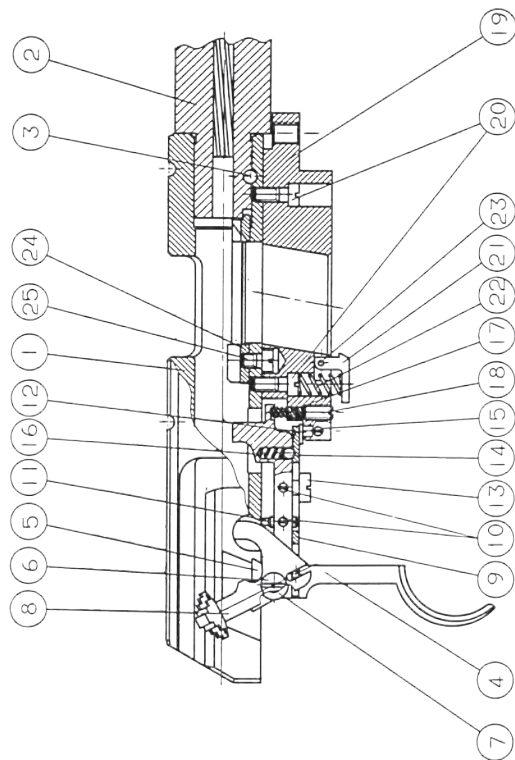
To block the trigger and make firing impossible, it is necessary to act upon the lever (8) which activates the safety (9).

Magazine is connected to the rifle through its carrier (19) and secured on the rifle by means of the holder (21) connected to the carrier (19). Magazine carrier is fixed to the receiver by the screw (20).

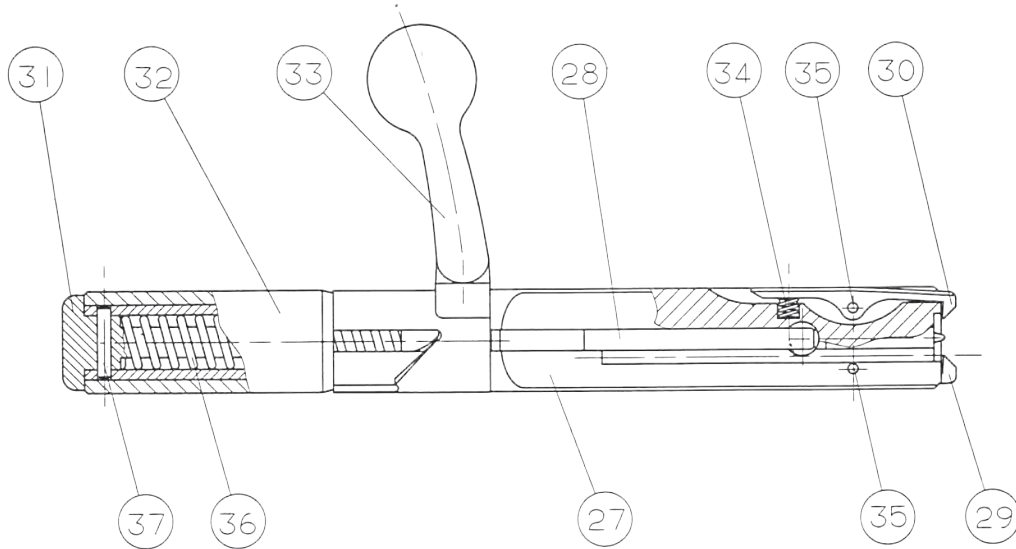
Inside the receiver there is the cartridge case ejector (24) which serves also as a magazine abutment on 22 Long Rifle.

Locking of the bolt in the receiver is achieved through a channel on the right side of the receiver.

Fig. 4 Action



**Fig. 5** Bolt

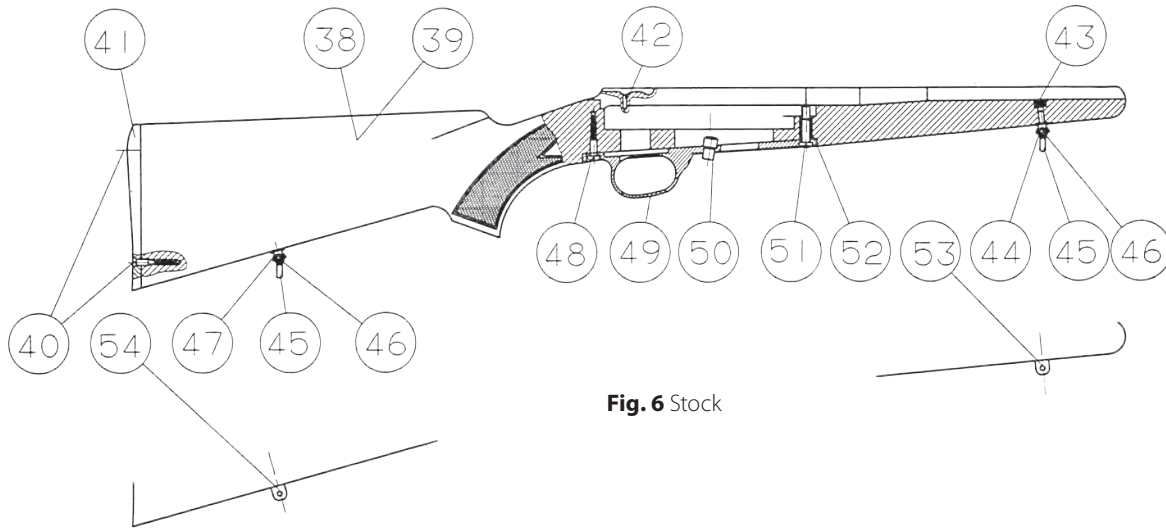


## **BOLT**

Bolt of the rifle (27) is of cylindrical shape with a recess on the face to accommodate the cartridge case bottom.

Bolt handle (33) is a detachable part of the bolt and it can rotate around it for locking in the receiver.

In the front part of the bolt there are extractors (29 and 30); the right extractor extracts the case from the barrel and the left one holds the case. Firing pin (28) travels longitudinally under the action of its spring located in the rear part of the bolt.



**Fig. 6** Stock

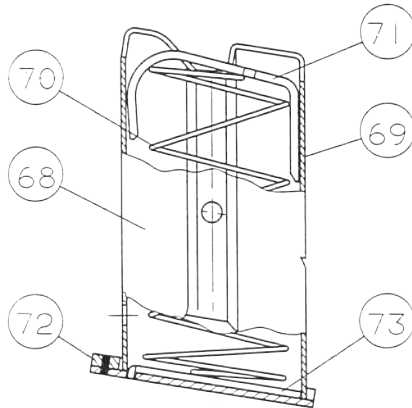
## STOCK

Stock (38, 39) is made of quality walnut, conditioned wood, anatomically shaped for easy handling with the rifle. It is a standard type, and covers a half of the barrel length. Forehand and pistol grip are checkered to prevent slipping of hands.

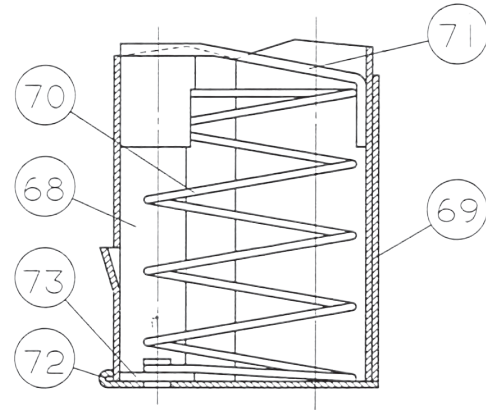
Sizes and shapes of the stock are suited to average sizes, of users in compliance with the standards related to weapon design.

The stock could be provided with swivels (45) for rifle carrying belt or only with swivel holders (53, 54).

Finish of the rifle is made by polishing and external surfaces are lacquered (38) or oiled (39) to protect it from moisture.



**Fig. 7** Magazine for 22 LR



**Fig. 8** Magazine for 22 WMRF, .17 HMR

## MAGAZINE

Magazine for Smallbore rifle has the capacity of 5 rounds.

The magazines are detachable and can be carried separately from the rifle.

The magazine consists of magazine body (69), follower (71) magazine bottom plate (72), bottom lock piece (73) and follower spring (70).

## HANDLING

### — Stripping and assembling

The rifle is to be stripped for cleaning, inspection and lubrication of parts. Stripping includes separation of magazine from the rifle and the separation of bolt assembly from the rifle.

Further stripping, such as separation of the barrel from the receiver and stock, stripping of trigger parts, should not be done by the owner of the rifle. This should be done in workshops by persons qualified for this type of work and provided with adequate tools.

Force should not be applied in stripping and assembling since this is an easy and trouble free operation if the proper procedure is followed.

Bolt is separated by the right hand upon unlocking it by turning its handle upward. Then pull the bolt backward withdrawing the trigger to enable the bolt to be taken out of the receiver.

The rifle is assembled in the sequence opposite to stripping.



**Fig. 9** Separation of magazine from rifle



**Fig. 10** Withdrawal of trigger and removal of bolt



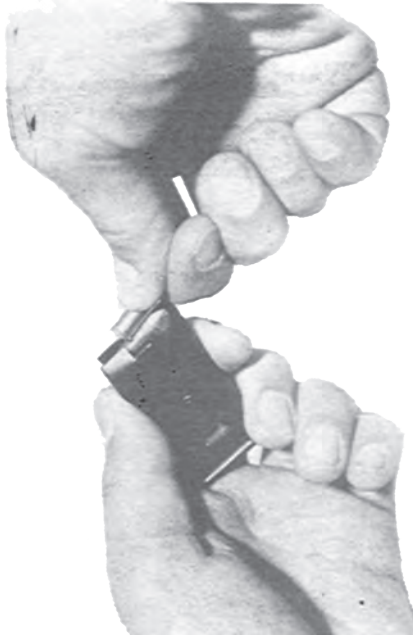
## **LOADING OF MAGAZINE AND RIFLE; FIRING AND EJECTION OF CARTRIDGE (CASE) FROM BARREL**

Magazine of the sporting rifle is used to hold ammunition. A round is to be fed into the barrel just before shooting.

Ammunition must be in original factory packages provided with a label with all necessary data printed. The ammunition of unknown origin should not be used.

Magazine capacity is 5 (22.LR, 22 WMRF, 17 HMR) and 10 (22 LR) rounds respectively. Never try to insert more rounds into the magazine since this will unnecessarily deform the spring.

The ammunition is to be inserted into the magazine from the top (Fig. 11). After loading the magazine insert it into the rifle having closed the bolt before that.



**Fig. 11** Magazine loading

When the round is in the barrel, the safety must be »at safe«. Before shooting move the safety into position »ready« — red dot visible.

To unload the rifle when a round is in the barrel, it is necessary first to eject it by means of the bolt, and then with the bolt still in rear position, detach the magazine by the left hand. It is not recommendable to unload the magazine by feeding rounds into the barrel first and then ejecting.



**Fig. 12** Magazine inserting into-rifle



**Fig. 13** Loading of rifle  
(cartridge inserting into barrel)



**Fig. 14** Trigger mechanism blocking

## **SIGHT ADJUSTMENT AND AMMUNITION**

Since ammunition of different manufacturers has different characteristics, they may cause a drop of trajectory and deviation of shots from the aiming point.

To solve this problem the rifles are provided with built-in adjustable rear sight which can very easily eliminate the differences in ammunition and aiming in regards to the factory setting of sight.

The ammunition should be purchased in original factory packages with exactly specified caliber and mass of projectile. If the same ammunition is always used, the need for correction of sight is eliminated.

The ammunition of unknown origin, oxidized, damaged or hand-loaded ammunition should not be used since it may cause a failure to function or heavy damages.

## **MAINTENANCE**

To ensure long life and proper functioning of the rifle it is necessary to maintain and clean it carefully.

A poorly maintained and corroded barrel with soot caused by powder gases and deposits of tombac, oxidized and damaged parts of mechanisms result not only in improper function and shortening of life, but may also be a life hazard to the shooter and his companionship.

The rifle should be thoroughly cleaned after every use regardless of whether it has been fired or not. While carried, the rifle has been exposed to dust or moisture (dew, rain, snow) and therefore requires cleaning and lubrication.

For cleaning and lubrication it is advisable to use well-known oils intended for this purpose. Immediately after use the rifle must be cleaned and wiped dry, and the barrel lubricated with oil.

Thanks to its chemical composition the oil dissolves the soot residuals in the barrel bore. Then clean the barrel from soot deposits with the barrel cleaner and rags changing rags several times until the last rag comes out clean which means that the barrel is well cleaned.

After that lubricate the barrel with oil using the brush. Two-three days later inspect the barrel and wipe it again with a rag wrapped around the barrel cleaner until the rag comes out clean. Upon wiping lubricate the barrel again.

It is not advisable for the owners of the rifles to strip them unless provided with adequate tools and experience.

For every possible repair and replacement of parts refer to authorized service shops which are provided with skilled personnel, required tools and original spare parts.

Before shooting the rifle should be wiped, particularly the barrel which must be dry. Failure to do this may result in increasing soot deposits on the barrel bore walls and bulging of the barrel.

Cleaned and oiled rifles should be kept in a dry room not exposed to a heat source. The most suitable place for keeping them is a safely locked cabinet.

## COMPONENT PARTS

	22 LR	22 LR for sound mod.	22 WMRF	17 HMR
<b>ACTION</b>				
1.Receiver . . . . .	106404 . . . . .	106404. . . . .	108522 . . . . .	108522
2.Barrel . . . . .	106406 . . . . .	106500. . . . .	108523 . . . . .	120906
3.Barrel lock pin. . . . .	106407 . . . . .	106407. . . . .	106407 . . . . .	106407
4.Trigger . . . . .	106412 . . . . .	106412. . . . .	106412 . . . . .	106412
5.Trigger holder . . . . .	106414 . . . . .	106414. . . . .	106414 . . . . .	106414
6.Trigger screw . . . . .	106410 . . . . .	106410. . . . .	106410 . . . . .	106410
7.Washer . . . . .	106463 . . . . .	106463. . . . .	106463 . . . . .	106463
8.Safety lever . . . . .	108930 . . . . .	108930. . . . .	108930 . . . . .	108930
9.Safety . . . . .	106416 . . . . .	106416. . . . .	106416 . . . . .	106416
10.Screw . . . . .	106413 . . . . .	106413. . . . .	106413 . . . . .	106413
11.Regulating screw . . . . .	106422 . . . . .	106422. . . . .	106422 . . . . .	106422
12.Plug . . . . .	108447 . . . . .	108447. . . . .	108447 . . . . .	108447
13.Abutment screw . . . . .	106415 . . . . .	106415. . . . .	106415 . . . . .	106415
14.Ball . . . . .	106417 . . . . .	106417. . . . .	106417 . . . . .	106417
15.Plug lock piece . . . . .	108865 . . . . .	108865. . . . .	108865 . . . . .	108865
16.Safety spring. . . . .	6939 . . . . .	6939. . . . .	6939 . . . . .	6939
17.Trigger spring . . . . .	106420 . . . . .	106420. . . . .	106420 . . . . .	106420
18.Trigger spring screw . . . . .	106421 . . . . .	106421. . . . .	106421 . . . . .	106421
19.Magazine carrier . . . . .	106418 . . . . .	106418. . . . .	108527 . . . . .	108527

	22LR	22LR for sound mod.	22 WMRF	17 HMR
20.Magazine carrier screw . . . . .	106419 . . . . .	106419 . . . . .	108528 . . . . .	108528
21.Magazine holder . . . . .	106424 . . . . .	106424 . . . . .	106424 . . . . .	106424
22.Magazine holder spring . . . . .	106423 . . . . .	106423 . . . . .	106423 . . . . .	106423
23.Magazine holder axle . . . . .	106425 . . . . .	106425 . . . . .	106425 . . . . .	106425
24.Ejector . . . . .	106409 . . . . .	106409 . . . . .	108524 . . . . .	108524
25.Ejector securing pin . . . . .	106408 . . . . .	106408		
26.Protective ring . . . . .		106499		

**BOLT**

27.Bolt body . . . . .	106432 . . . . .	106432 . . . . .	108526 . . . . .	108526
28.Firing pin . . . . .	106434 . . . . .	106434 . . . . .	106434 . . . . .	106434
29.Extractor, left . . . . .	106436 . . . . .	106436 . . . . .	113747 . . . . .	113747
30.Extractor, right . . . . .	106437 . . . . .	106437 . . . . .	113748 . . . . .	113748
31.Spring holder . . . . .	106438 . . . . .	106438 . . . . .	106438 . . . . .	106438
32.Cover . . . . .	106439 . . . . .	106439 . . . . .	106439 . . . . .	106439
33.Bolt handle. . . . .	106440 . . . . .	106440 . . . . .	106440 . . . . .	106440
34.Extractor spring. . . . .	106441 . . . . .	106441 . . . . .	106441 . . . . .	106441
35.Extractor axle . . . . .	106442 . . . . .	106442 . . . . .	106442 . . . . .	106442
36.Firing pin spring . . . . .	106443 . . . . .	106443 . . . . .	106443 . . . . .	106443
37.Securing pin . . . . .	106444 . . . . .	106444 . . . . .	106444 . . . . .	106444

	22 LR	22 LR for sound mod.	22 WMRF	17 HMR
<b>STOCK</b>				
38.Stock (lacquered) . . . . .	108516	108516	108516	108516
39.Stock (oiled) . . . . .	106447	106447	106447	106447
40.Stock plate screw . . . . .	1868	1868	1868	1868
41.Stock plate . . . . .	1869	1869	1869	1869
42.Stock plug . . . . .	1860	1860	1860	1860
43. Front swivel nut . . . . .	1871	1871	1871	1871
44.Front swivel holder . . . . .	108449	108449	108449	108449
45.Swivel . . . . .	1874	1874	1874	1874
46.Swivel screw . . . . .	1875	1875	1875	1875
47.Rear swivel holder . . . . .	1877	1877	1877	1877
48.Trigger guard screw . . . . .	106488	106488	106488	106488
49. Trigger guard . . . . .	106427	106427	108546	108546
50.Magazine holder button . . . . .	106426	106426	106426	106426
51.Screw . . . . .	106428	106428	106428	106428
52.Distance bushing . . . . .	106429	106429	106429	106429
53.Front swivel holder. . . . .	7492	7492	7492	7492
54.Rear swivel holder . . . . .	7493	7493	7493	7493



22 LRong Rifle

22 LR  
for sound mod.

22 WMRF

17 HMR

**SIGHTS**

55.Base screw . . . . .	1798	1798.	1798 . . . . .	1798
56.Rear sight carrier . . . . .	1791	1791.	1791 . . . . .	1791
57.Plate carrier. . . . .	1792	1792.	1792 . . . . .	1792
58.Rear sight plate . . . . .	1793	1793.	1793 . . . . .	1793
59.Rear sight spring . . . . .	1794	1794.	1794 . . . . .	1794
60.Rear sight axle. . . . .	1795	1795.	1795 . . . . .	1795
61.Plate screw . . . . .	1796	1796.	1796 . . . . .	1796
62.Rear sight base . . . . .	1797	1797.	1797 . . . . .	1797
63.Carrier . . . . .	1786	1786.	1786 . . . . .	1786
64.Front sight base. . . . .	108547	108547.	108547 . . . . .	108547
65.Front sight . . . . .	1784	1784.	1784 . . . . .	1784
66.Front sight guard. . . . .	1785	1785.	1785 . . . . .	1785
67.Screw . . . . .	1788	1788.	1788 . . . . .	1788

**MAGAZINES**

68.Magazine. . . . .	106449	106449.	108530 . . . . .	108530
69.Magazine body . . . . .	106451	106451.	108531 . . . . .	108531
70.Follower spring . . . . .	106453	106453.	108535 . . . . .	108535
71.Follower. . . . .	106452	106452.	108532 . . . . .	108532
72.Magazine bottom plate. . . . .	106454	106454.	65 . . . . .	65
73.Magazine bottom lock piece . . . . .	106455	106455.	66 . . . . .	66

## TRANSPORTATION AND STORAGE

**WARNING: ALWAYS CHECK TO ENSURE THAT YOUR FIREARM IS NOT LOADED BEFORE TRANSPORTING, OR PUTTING IT AWAY FOR STORAGE.**

**PREVENT UNAUTHORIZED ACCESS:** *For increased safety, firearms should be stored unloaded and locked in a SECURE, hidden location, separate from the ammunition for the same rifle. Out of reach of children and unauthorized persons!*

**WHEN STORED IN AN IRRESPONSIBLE AND UNSAFE MANNER, FIREARMS CAN BE DANGEROUS, POSING A HUGE RISK OF POTENTIAL SERIOUS OR FATAL INJURIES TO CHILDREN AND OTHER UNQUALIFIED PERSONS.**

*NEVER ASSUME THAT STORING A FIREARM AT A “SECRET HIDING” PLACE IS A SECURE STORAGE METHOD. Others may get sooner or later get aware of your storage location by chance.*

The most suitable place for keeping firearms is a safely locked cabinet. *Use the locking device with this firearm for storage.* The use of a locking device or safety lock is only one aspect of responsible firearms storage.

**WARNING: NEVER LOAD A LOCKED FIREARM!  
NEVER LOCK A LOADED FIREARM!**

When transporting your rifle, **ALWAYS** keep it unloaded for your own, and safety of others.

By purchasing this firearm, you have accepted the responsibility of safely securing the firearm at all times and preventing its unauthorized use.

**GET FAMILIAR WITH YOUR STATE’S “SAFE AND SECURE STORAGE OF FIREARMS AND AMMUNITION” GUN LAWS AND REGULATIONS, THE MOST IMPORTANT LAW!**

**DRUGS & ALCOHOL WARNING: DO NOT TRANSPORT OR HANDLE FIREARM WHILE UNDER THE INFLUENCE!**

*Alcohol, certain drugs and illegal substances can impair your judgement, physical coordination, and your actions.*

## LIMITED PARTS REPLACEMENT WARRANTY

The enclosed firearm is warranted to be free of manufacturing defects for a period of one year from the original date of purchase from a federally licensed firearms retailer. The warranty only applies to the first retail purchaser and is not transferable or assignable. Proof of purchase must be presented at the time any warranty claim is made. This is a one year warranty limited to replacement of improperly manufactured parts.

Any alternations, modifications, abuse, misuse or discharge of poor quality, corrosive or defective ammunition voids the warranty. If your weapon needs servicing, apply to one of the service shops authorized by your dealer. Do not send your weapon directly to the manufacturer!

### REGISTER ONLINE TODAY!

To activate your warranty, please register your firearm online at [www.zastavaarmsusa.com](http://www.zastavaarmsusa.com) after purchase.

### *DO NOT ALTER YOUR FIREARM!*

*This firearm was assembled and tested to function properly in its original condition. Altering your firearm voids the manufacturer's warranty!*

## DISCLAIMER OF LIABILITY

The manufacturer shall not be responsible for injury, death, or damage to property resulting from either intentional or accidental discharge of this firearm, or from its function when used for purposes or subjected to treatment for which it was not designed. The manufacturer also will not honor claims involving this firearm which result from careless or improper handling, unauthorized adjustment or parts replacement, corrosion, neglect, or the use of wrong caliber ammunition, or the use of ammunition other than original high quality commercially manufactured ammunition in good condition, or any combination thereof.

## RETURN AUTHORIZATION

To obtain warranty service, please contact us at [warranty@zastavaarmsusa.com](mailto:warranty@zastavaarmsusa.com). Please note that a return authorization must be obtained prior to returning the firearm.

## ZASTAVA ARMS USA

55 Bradrock Dr. Des Plaines, IL 60018

ph: 847-250-9727

[info@zastavaarmsusa.com](mailto:info@zastavaarmsusa.com)

[www.zastavaarmsusa.com](http://www.zastavaarmsusa.com)







*Manufactured by:*  
**ZASTAVA ORUŽJE AD**  
Kosovska 4  
34 000 Kragujevac, Serbia  
ph: +381 34 301 137  
fax: +381 34 335 349  
office@zastava-arms.rs  
www.zastava-arms.rs



*Imported by:*  
**ZASTAVA ARMS USA**  
55 Bradrock Dr.  
Des Plaines IL,  
USA  
ph: +1 847-250-9727  
info@zastavaarmsusa.com  
www.zastavaarmsusa.com

