

# AL 391 Urika Teknys



Manuale di Istruzione  
Instruction Manual  
Mode d'Emploi

 BERETTA

## ENGLISH

Illustrations on pages 8, 9, 32, 33, 34, 35

**READ THIS MANUAL CAREFULLY BEFORE USING THE FIREARM.**

**KEEP ALWAYS THIS MANUAL WITH YOUR FIREARM. INCLUDE IT WITH THE GUN WHEN IT CHANGES OWNERSHIP OR WHEN IT IS LOANED OR PRESENTED TO ANOTHER PERSON.**

**NOTICE:** The Manufacturer and/or its Local Official Distributors assume no responsibility for product malfunction or for physical injury or property damage resulting in whole or in part from criminal or negligent use of the product, improper or careless handling, unauthorized modifications, use of defective, improper, hand-loaded, reloaded or remanufactured ammunition\*, customer abuse or neglect of the product, or other influences beyond manufacturer's direct and immediate control.

\* See paragraph "Ammunition"

**WARNING:** ALL FIREARMS HAVE LETHAL POTENTIAL. READ THE BASIC SAFETY RULES CAREFULLY AND UNDERSTAND THEM FULLY BEFORE ATTEMPTING TO USE THIS FIREARM.

In addition to the Basic Safety Rules, there are other Safety Rules pertaining to the loading, unloading, disassembly, assembly and use of this firearm located throughout this manual.

**WARNING:** READ THE ENTIRE MANUAL CAREFULLY BEFORE USING THIS FIREARM. MAKE SURE THAT ANY PERSON USING OR HAVING ACCESS TO THIS FIREARM READS AND UNDERSTANDS ALL OF THIS MANUAL PRIOR TO USE OR ACCESS.

**NOTICE:** As the interchangeable barrel of this shotgun has a serial number different from that stamped on the receiver, it may be necessary, when referring to the gun, to specify also the serial number of the barrel/s.

# CONTENTS

	Page
<b>BASIC SAFETY RULES</b>	4
NOMENCLATURE	8
DESCRIPTION	10
TECHNICAL FEATURES AND DATA	12
OPERATION	12
AMMUNITION	14
DISASSEMBLY	17
BERETTA MOBILCHOKE® TUBES	18
ROUTINE MAINTENANCE	20
REASSEMBLY	22
SPECIAL MAINTENANCE	24
MAGAZINE CAPACITY	26
STOCK DROP AND CAST MODIFICATION	26
REPLACEMENT OF RECOIL PAD	28
REVERSIBLE SAFETY BUTTON	29
REPLACEMENT OF TRUGLO® FRONT SIGHT LUMINOUS INSERT	29
WARRANTY AND EXTENSION OF THE WARRANTY REPAIR PERIOD	30

# BASIC SAFETY RULES

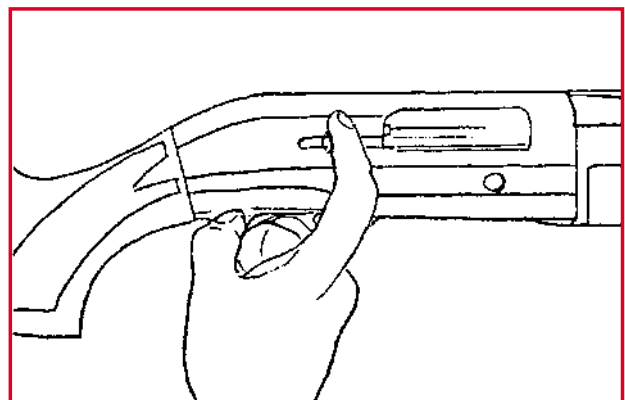
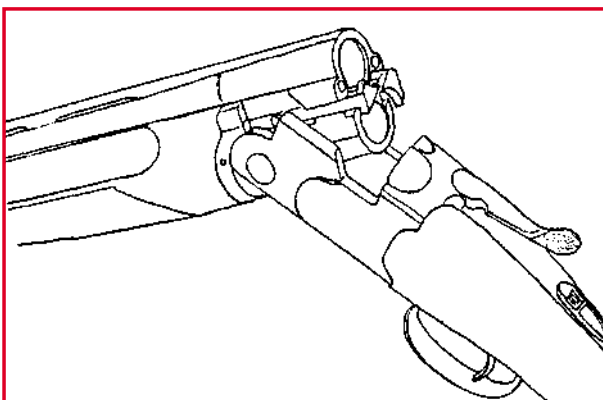
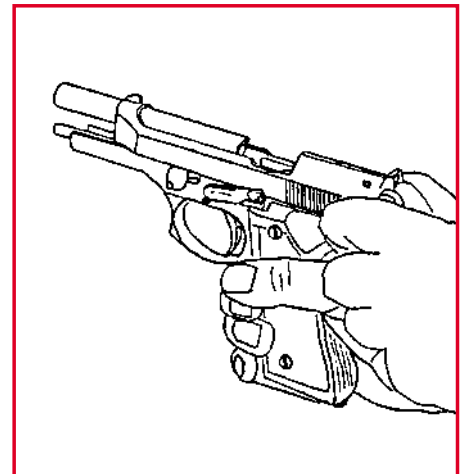
## 1. NEVER POINT A FIREARM AT SOMETHING THAT IS NOT SAFE TO SHOOT.

Never let the muzzle of a firearm point at any part of your body or at another person. This is especially important when loading or unloading the firearm. When you are shooting at a target, know what is behind it. Some bullets can travel over a mile. If you miss your target or if the bullet penetrates the target, it is your responsibility to ensure that the shot does not cause unintended injury or damage.



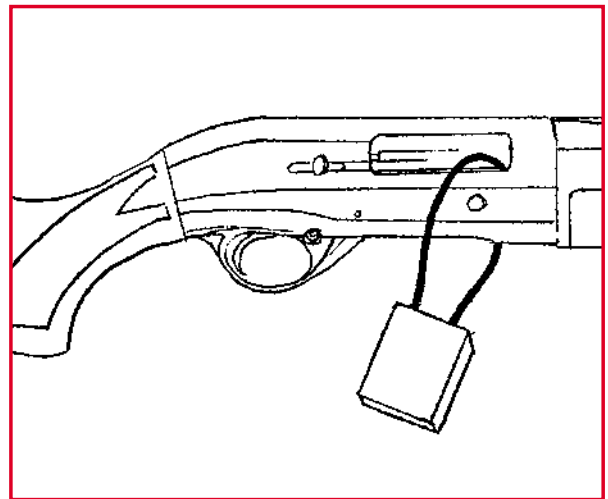
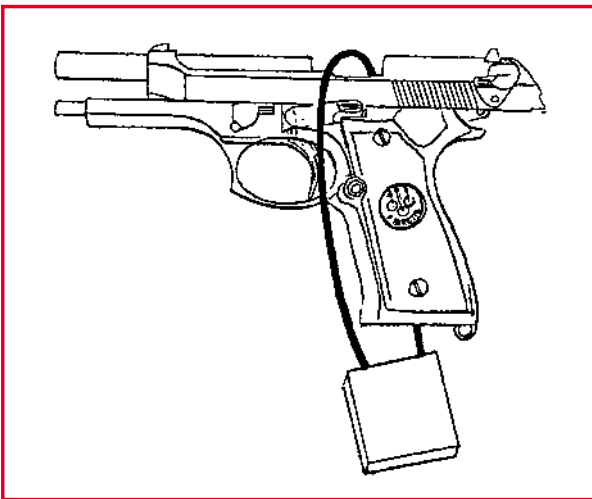
## 2. ALWAYS TREAT A FIREARM AS IF IT WERE LOADED.

Never assume that a firearm is unloaded. **The only certain way to ensure that a firearm has the chamber empty is to open the chamber and visually examine the inside to see if a round is present. Removing the magazine will not guarantee that a firearm is unloaded or cannot fire.** Shotguns and rifles can be checked by cycling or removing all rounds and by then opening and inspecting the chamber and the magazine tube for any remaining rounds.



### 3. STORE YOUR FIREARM SO THAT CHILDREN CANNOT GAIN ACCESS TO IT.

It is your responsibility to insure that children under the age of 18 or other unauthorized persons do not gain access to your firearm. **To reduce the risk of accidents involving children, unload your firearm, lock it and store the ammunition in a separate locked location.** Please note that devices intended to prevent accidents - for example, cable locks, chamber plugs, etc, - may not prevent use or misuse of your firearm by a determined person. Steel gun safes may be more appropriate to reduce the likelihood of intentional misuse of a firearm by an unauthorized child or person.



### 4. NEVER SHOOT AT WATER OR AT A HARD SURFACE.

Shooting at the surface of water or at a rock or other hard surface increases the chance of ricochets or fragmentation of the bullet or shot, which can result in the projectile striking an unintended or peripheral target.



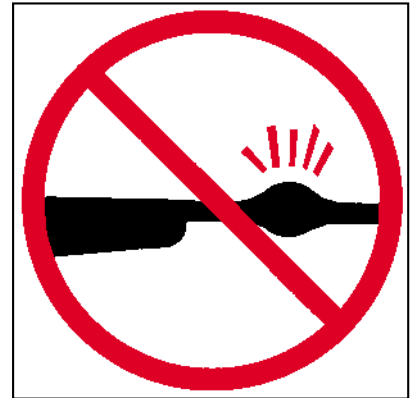
### 5. KNOW THE SAFETY FEATURES OF THE FIREARM YOU ARE USING, BUT REMEMBER: SAFETY DEVICES ARE NOT A SUBSTITUTE FOR SAFE HANDLING PROCEDURES.

Never rely solely on a safety device to prevent an accident. It is imperative that you know and use the safety features of the particular firearm you are handling, but accidents can best be prevented by following the safe handling procedures described in these safety rules and elsewhere in the product manual. To further familiarize yourself with the proper use of this or other firearms, take a Firearms Safety Course taught by an expert in firearms use and safety procedures.

## 6. PROPERLY MAINTAIN YOUR FIREARM.

Store and carry your firearm so that dirt or lint does not accumulate in the working parts. Clean and oil your firearm, following the instructions provided in this manual, after each use to prevent corrosion, damage to the barrel or accumulation of impurities which can prevent use of the gun in an emergency. Always check the barrel prior to loading to ensure that it is clean and free from obstructions. **Firing against an obstruction can rupture the barrel and injure yourself or others nearby.**

In case you hear an unusual noise when shooting, stop firing immediately, engage the manual safety and unload the firearm. Make sure the chamber and the barrel are free from any obstruction or possible bullet blocked inside the barrel due to defective or improper ammunition.



## 7. USE PROPER AMMUNITION.

Only use factory-loaded, new ammunition manufactured to industry specifications: CIP (Europe and elsewhere), SAAMI (U.S.A.). Be certain that each round you use is in the proper caliber or gauge and type for the particular firearm. The caliber or gauge of the firearm is clearly marked on the barrels of shotguns and on the slide or barrel of pistols. The use of reloaded or remanufactured ammunition can increase the likelihood of excessive cartridge pressures, casehead ruptures or other defects in the ammunition which can cause damage to your firearm and injury to yourself or others nearby.

## 8. ALWAYS WEAR PROTECTIVE GLASSES AND EARPLUGS WHEN SHOOTING.

The chance that gas, gunpowder or metal fragments will blow back and injure a shooter who is firing a gun is rare, but the injury that can be sustained in such circumstances is severe, including the possible loss of eyesight. A shooter must always wear impact resistant shooting glasses when firing any firearm. Earplugs help reduce the chance of hearing damage from shooting.



**9. NEVER CLIMB A TREE, FENCE OR OBSTRUCTION WITH A LOADED FIREARM.**

Open and empty the chamber of your firearm and engage the manual safety before climbing or descending a tree or before climbing a fence or jumping over a ditch or obstruction. Never pull or push a loaded firearm toward yourself or another person.



**10. AVOID ALCOHOLIC BEVERAGES OR JUDGMENT OR REFLEX IMPAIRING MEDICATION WHEN SHOOTING.**

Do not drink and shoot. If you take medication that can impair motor reactions or judgment, do not handle a firearm while you are under the influence of the medication.



**11. NEVER TRANSPORT A LOADED FIREARM.**

Unload a firearm before putting it in a vehicle (chamber empty, magazine empty). Hunters and target shooters should load their firearm only at their destination. If you carry a firearm for self-protection, leaving the chamber unloaded can reduce the chance of accidental discharge.

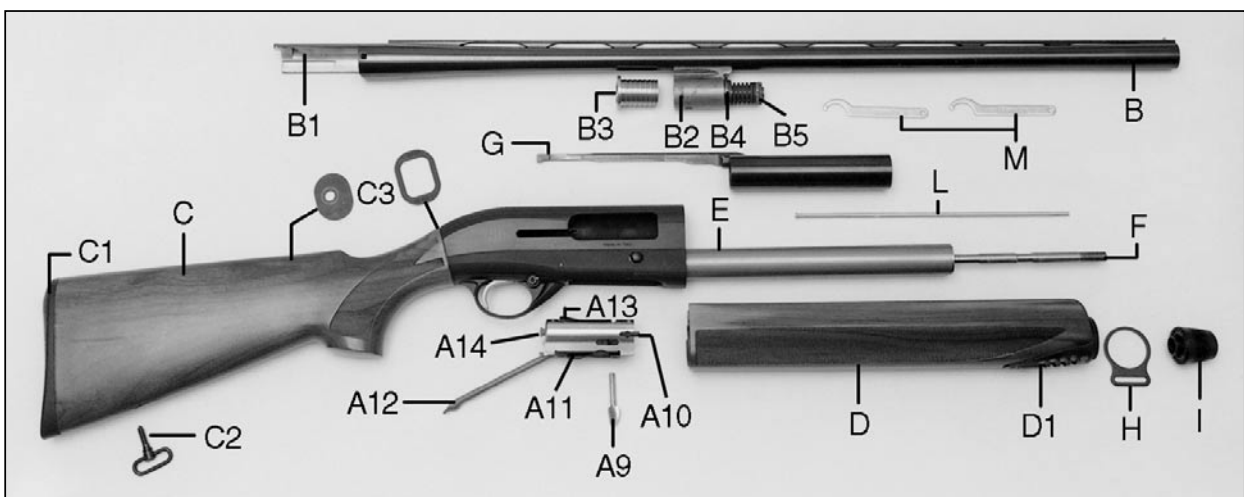
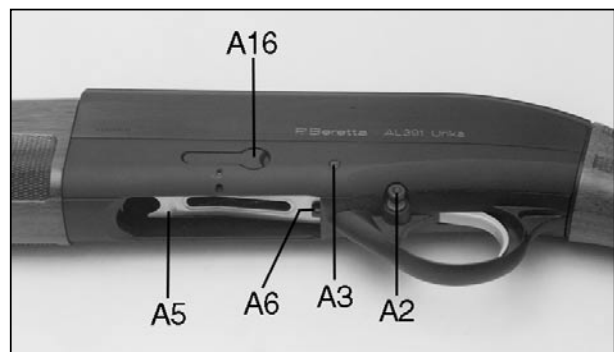
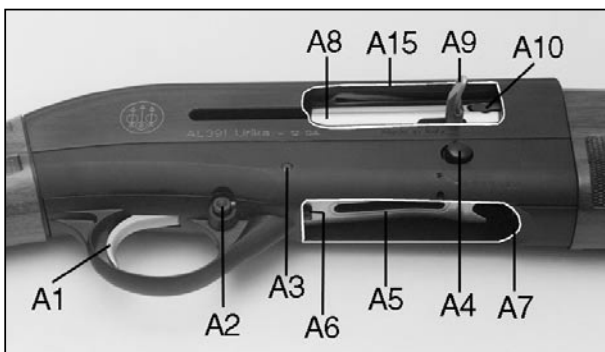
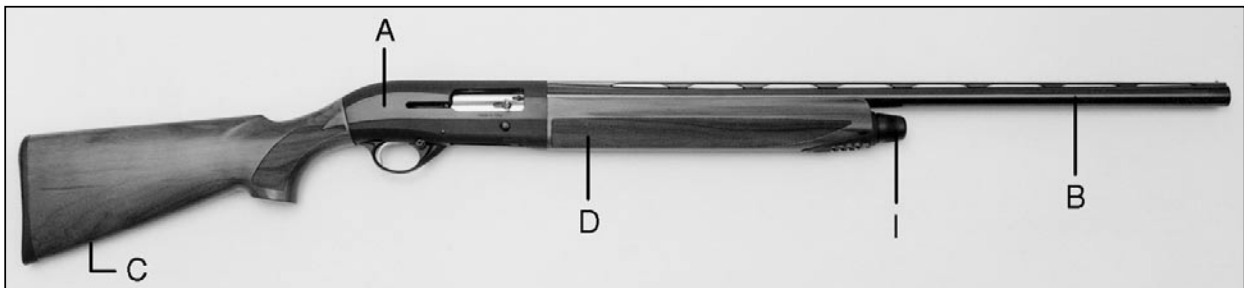


**12. LEAD WARNING.**

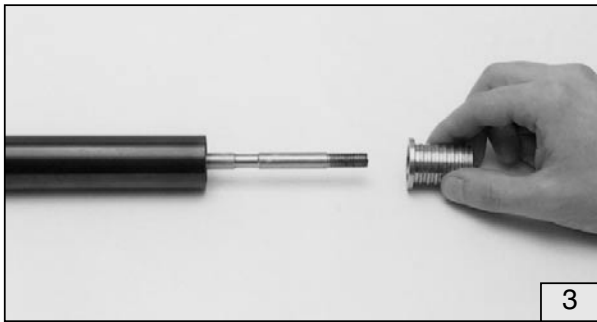
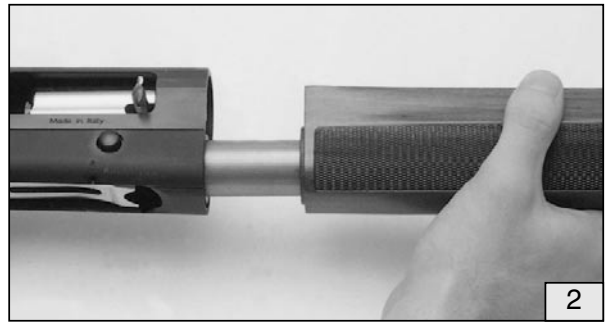
Discharging firearms in poorly ventilated areas, cleaning firearms or handling ammunition may result in exposure to lead and other substances known to cause birth defects, reproductive harm, and other serious physical injury. Have adequate ventilation at all times. Wash hands thoroughly after exposure.

# NOMENCLATURE

<b>A Receiver</b>	<b>B2 Gas cylinder</b>
A1 Trigger	B3 Piston
A2 Reversible safety button	B4 Exhaust valve assembly
A3 Trigger plate retaining pin	B5 Valve assembly locking nut and counter-nut
A4 Breech bolt release-button	<b>C Stock</b>
A5 Carrier	C1 Interchangeable butt plate
A6 Carrier stop push-button	C2 Stock swivel
A7 Loading gate	C3 Drop/cast spacers
A8 Breech bolt	<b>D Fore-end</b>
A9 Cocking handle	D1 Fore-end flange with exhaust port
A10 Extractor	<b>E Magazine tube</b>
A11 Breech bolt slide	<b>F Magazine tube cap with shaft</b>
A12 Connecting rod	<b>G Operating rod with sleeve</b>
A13 Locking block	<b>H Front swivel</b>
A14 Firing pin	<b>I Fore-end cap</b>
A15 Ejection port	<b>L 1-round magazine capacity reducer plug</b>
A16 Cut-off	<b>M Valve hook wrenches</b>
<b>B Barrel</b>	
B1 Barrel tang	







# DESCRIPTION

The AL391 Urika/Teknys semi-automatic shotgun, 12 and 20 gauge, comes with the following features:

## STREAMLINED RECEIVER DESIGN

The skilfully rounded shape of the receiver promotes instinctive and quick target acquisition. The matted anti-glare black-finish of the upper and lower parts of the receiver highlight the bright finish of the sides to confer to the Beretta AL391 Urika/Teknys a new appearance and distinctive character.

## GAS OPERATION SYSTEM WITH EXHAUST VALVE

The unique gas operation system, with gas cylinder and self cleaning piston, is provided with a self-cleaning exhaust valve which automatically expels the excess gas of the most powerful cartridges: The result is that the shotgun, without any adjustment, fires everything from the light 24 gr. (7/8 oz.) loads to the powerful 57 gr. (2 oz.) 3" Magnum 12 ga. shotshells.

The exhaust valve assembly remains attached to the gas cylinder, thus allowing easy and quick disassembly and reassembly of the shotgun.

## RECOIL DAMPER

The elastic recoil damper reduces stress from the impact of the breech bolt on the receiver and absorbs part of the vibrations normally transmitted to the shooter.

## TRIGGER PLATE

The high strength fiber-glass reinforced technopolymer trigger plate offers many advantages: Self-cleaning property, high absorption of vibrations and more comfort to the touch in cold weather conditions. The large opening of the trigger guard allows the use of gloves.

## CUT-OFF DEVICE

The cut-off control is positioned on the left side of the receiver: It can be engaged when the breech bolt is positioned in the closed position with the use of one hand. If the cut-off is accidentally left engaged, automatic reloading after the first shot will disengage it.

## REVERSIBLE SAFETY BUTTON

The cross-bolt safety button can be assembled for standard right-hand use or reversed for left-hand use.

## STOCK

The stock is designed to accept either a plastic butt-plate or a rubber recoil pad without any adjustment. By assembling rubber recoil pads of different thickness, one can modify the length of pull.

## X-TRA WOOD STOCK

The AL391 Teknys boasts a semi-gloss X-Tra Wood finish on stock and fore-end. This unique finish, featuring strong grain lines, enhances the elegant wood of the stock and the fore-end.

The X-Tra Wood finish is 50% more weatherproof than traditional varnishing.

## GEL•TEK RECOIL PAD

The AL391 Teknys is supplied with the Beretta Gel•Tek recoil pad. Its advanced technology construction consists of a soft yet scratch resistant and durable polymer shell and a recoil-absorbing silicone gel core. This non-toxic and inert gel distributes the recoil effect over the entire pad surface, reducing the felt recoil to the shooter. The gel is unaltered by time and temperature.

## STOCK DROP AND CAST SPACERS

The design of the fiber-glass reinforced technopolymer receiver - stock spacer and of the stock metal plate allows one to adjust the stock drop and cast by simply modifying their assembly position. Different stock drop and cast dimensions can be obtained using the extra set of spacers supplied.

## ACCESSORIES

The AL391 Urika/Teknys is supplied with a modern design case and a complement of accessories: 1-round magazine capacity reducer plug, spare recoil pad, stock drop and cast spacers, grip cap (wood stock field models only), fiber optic luminous insert for Truglo® front sight (AL391 Teknys), stock swivels (field models only), 25 ml. Beretta Gun Oil, valve hook wrenches and, for Mobilchoke® versions, a set of 5 choke tubes with special spanner.

**NOTICE:** The AL391 Urika/Teknys barrels are not interchangeable with those of former models (AL 390, A 390 ST, A 304 etc.)

# TECHNICAL FEATURES AND DATA

<b>Gauge</b>	12, 20
<b>Barrel chamber</b>	2 ¾" and 3"
<b>Operation</b>	semi-automatic, gas operation with exhaust valve mounted on the barrel
<b>Locking system</b>	elevated locking block
<b>Receiver</b>	light alloy with recoil damper
<b>Barrel</b>	steel, chrome-plated bore and chamber
<b>Rib</b>	ventilated
<b>Front sight</b>	metal bead; Truglo® luminous front sight; special front sight for competition models
<b>Safety</b>	cross bolt, reversible for left-handed shooters
<b>Magazine</b>	3 rounds (plugged to 2)
<b>Stock, fore-end</b>	selected walnut, checkered, X-Tra Wood or high strength fiber-glass reinforced technopolymer. Adjustable drop. Cast-off or cast-on
<b>Length of pull</b>	362÷376 mm (14.25"-14.80") (field) 365÷380 mm (14.37"-14.96") (competition)
<b>Weight (approx.) *</b>	From 3.000 Kg. (6.6 lbs.) to 3.300 Kg. (7.3 lbs.) (12 ga. field versions) From 2.700 Kg. (6.0 lbs.) to 3.000 Kg. (6.6 lbs.) (20 ga.) From 3.300 Kg. (7.3 lbs.) to 3.500 Kg. (7.7 lbs.) (12 ga. competition versions)

(\*) Weights are approximate, dependent on wood density and barrel length.

**NOTICE:** The numbers noted below refer to the photographs on pages 9, 32, 33, 34, 35.

## OPERATION

### ASSEMBLING THE BARREL

The Beretta AL391 Urika/Teknys semi-automatic shotgun is packed from the factory with the barrel separate from the stock / receiver / fore-end assembly.

**WARNING:** Beretta assumes no responsibility for any injury or property damage resulting from improper or careless handling, intentional or accidental discharge of the firearm.

**WARNING:** All assembly, disassembly and maintenance procedures should be carried out with the firearm unloaded (magazine tube empty, receiver empty and cartridge chamber empty). Check that the firearm is unloaded by looking through the ejection port, the loading gate and the chamber.

**WARNING:** During the assembly, disassembly and maintenance procedures, never point a firearm at someone or at hard and flat surfaces. Treat the firearm as if it were loaded. (See points 1, 2 and 4 of the BASIC SAFETY RULES).

Assemble the barrel to the stock / receiver / fore-end assembly as follows:

**CAUTION:** If, for any reason, the breech bolt is open and the fore-end is separated from stock / receiver assembly, avoid pressing the breech bolt release button and be careful to keep your fingers away from the ejection port. Should the breech bolt release button be pressed in this condition, the breech bolt would slam forward and would stop only when the cocking handle hits the forward rim of the ejection port. This could damage both the handle and receiver.

- Check the barrel. The bore and chamber must be clean and free from obstructions.
- Unscrew (counterclockwise) the fore-end cap from the stock / receiver / fore-end assembly. **(Fig. 1)**
- Pull the fore-end off the magazine tube. **(Fig. 2)**
- Remove the piston. **(Fig. 3)**
- Check that the carrier stop push button is completely depressed. If not, depress it completely. **(Fig. 4)**
- Pull the cocking handle backward to bring the breech bolt in the OPEN position. **(Fig. 5)**

**CAUTION:** Should the breech bolt release button be pressed in this condition, the breech bolt would slam forward and would stop only when the cocking handle hits the forward rim of the ejection port. This could damage both the handle and receiver.

- Insert the piston into the gas cylinder. **(Fig. 6)**
- Partially slide the barrel tang into the receiver, taking care that the piston does not drop out of the gas cylinder and that the magazine tube cap shaft enters the piston hole as well as that of the gas cylinder and the valve assembly. **(Fig. 7)**
- Slide the barrel tang home into the receiver. **(Fig. 8)**
- Slide the fore-end into place over the gas cylinder, valve assembly and magazine tube. Check that the fore-end is perfectly centered on the receiver face. The fore-end is correctly assembled when there is no space left between the parts. **(Fig. 9)**
- Place the front swivel ring (if desired and supplied) on the fore-end flange and completely tighten the fore-end cap. **(Fig. 10)**
- Close the breech bolt by depressing the breech bolt release button, keeping your fingers away from the ejection port. **(Fig. 11)**

**CAUTION:** While depressing the breech bolt release button to close the breech bolt, make sure that the cut-off is not inadvertently engaged. Should this occur, the breech bolt would be kept OPEN by the cut-off lever. In this case, always keeping your fingers away from the ejection port, close the breech bolt by operating the cut-off. **(Fig. 12)**

- Keeping the breech bolt retracted approximately 2 cm (1 inch), depress the trigger to lower the hammer. **(Fig. 13)**

**WARNING:** Do not store firearms in places which are or could be accessible by children or other persons whose unfamiliarity with firearms might lead to unsafe use. Always store your firearms securely and unloaded, separate from ammunition. (See point 3 of the BASIC SAFETY RULES).

## AMMUNITION

**WARNING:** Beretta assumes no responsibility for physical injury or property damage resulting from the use of defective, improper, hand-loaded, reloaded or remanufactured ammunition. Serious damage and injury, and even death, could result from the use of incorrect ammunition, from firing against bore obstructions and from propellant overloads.

The Beretta AL391 Urika/Teknys semi-automatic shotgun features a 3" (76 mm) chamber. You will find the markings for the gauge and chamber length for your shotgun on the side of the barrel. Every gun has been tested with special proof test ammunition.

**WARNING:** Never use cartridges that do not correspond to the markings on the side of the barrel.

**WARNING:** Use cartridges whose length corresponds or it is inferior to the chamber length indicated on the side of the barrel.

**WARNING:** To avoid use of improper ammunition, check markings on the cartridge box and on the cartridge itself to ensure that the correct gauge and length of shell is used for your firearm.

## STEEL SHOT

The use of steel shot cartridges is not recommended in AL391 Urika/Teknys shotguns with fixed chokes. Beretta "SP" (Steel Proof) Mobilchoke® tubes are designed for use with factory steel shot cartridges loaded to standard specifications. The best results with Beretta "SP" choke tubes are obtained using open chokes (CL, IC, M). Use of tighter constrictions (IM, F) with steel shot does not increase pattern density and will distort normal pattern density associated with lead shot (i.e. "blown pattern").

**Fixed Chokes & Beretta's Mobilchoke® Designations**

Standard Markings	American Designation	Choke Tube Compatibility with Steel Shot	Rim Notches	Extra Long Tube
0 (*)	F (full)	SP (1)	I	•
00(**)	IM (Improved Modified)	SP (1)	II	•
000(***)	M (Modified)	SP	III	•
0000(****)	IC (Improved Cylinder)	SP	IIII	•
C0000(C****)	CL (Cylinder)	SP	IIIII	•
SK(Skeet Beretta)(2)	SK (Skeet)	SP	No Notches	•

(1) Not recommended. (2) Special Beretta skeet choke with negative value.

Mobilchoke® is a registered trademark of Fabbrica d'Armi Pietro Beretta S.p.A.

## LOADING THE FIREARM

**WARNING:** Before loading the firearm, practice the following loading procedures without the use of ammunition. Never handle a loaded firearm until you are fully familiar with the loading procedures. Before loading the shotgun, make sure that the safety is engaged. Always point the firearm in a safe direction. (See points 1, 2 and 4 of the BASIC SAFETY RULES). Always check the barrel prior to loading to ensure that it is clean and free from obstructions.

**WARNING:** The shooter and bystanders must always wear eye and hearing protection. Particles of shot, lead, powder, lubricant, etc. may cause injury to persons. Hearing protection reduces the risk of hearing damage caused by exposure to shooting noise.

**WARNING:** Always keep your fingers away from the trigger and keep the trigger free from any contact when you do not intend to fire.

- Check that the carrier stop push button is completely depressed. If not, depress it completely.
- Retract the breech bolt by means of the cocking handle until it hooks into the OPEN position. **(Fig. 14)**
- Engage the safety by pushing the safety button until the red ring disappears. **(Fig. 15)**

**WARNING:** When the safety button shows the red ring, the firearm is in the FIRE position.

**WARNING:** The manual safety is merely a mechanical device and is in no way a substitute for the Basic Safety Rules of firearm handling.

**NOTICE:** The safety can be engaged only when the hammer is cocked.

- Insert the first round into the cartridge chamber through the ejection port. **(Fig. 16)**
- Depress the breech bolt release button to lock the breech bolt, keeping fingers away from the ejection port. **(Fig. 17)**

**WARNING:** The firearm is now loaded and, once the safety is disengaged, ready to fire. Always keep your fingers away from the trigger and keep the trigger free from any contact when you do not intend to fire. Never point the firearm at something that is not safe to shoot. (See points 1, 2 and 4 of the BASIC SAFETY RULES).

**NOTICE:** The manufacturer assumes no responsibility for any injury or property damage resulting from improper or careless handling, intentional or accidental discharge of the firearm.

**CAUTION:** Should the breech bolt remain open, check that the cut-off is not inadvertently engaged. If it is, always keeping your fingers away from the ejection port, close the breech bolt by operating the cut-off button. **(Fig. 12)**

- Insert through the loading gate the other rounds by placing each round on the carrier and pressing it down and forward into the magazine tube until it engages the stop tooth. **(Fig. 18)**
- To fire, disengage the safety and pull the trigger.

**WARNING:** If the gun does not fire on a live cartridge when the trigger is pulled, activate the safety, wait one minute, then unload the firearm as described in the chapter “Unloading the firearm”.

- When the last round has been fired, the breech bolt remains open, thus signalling that the magazine is empty. **(Fig. 19)**
- Engage the safety and, if required, reload the firearm as indicated.

### USE OF THE CUT-OFF DEVICE

The cut-off device allows one to extract a live round from the cartridge chamber and lock the breech bolt open for safety or to replace the round in the chamber, without feeding a new round from the magazine.

**WARNING:** The firearm is now loaded with a cartridge in the chamber and the safety is engaged. Never point a firearm at something that is not safe to shoot. (See points 1, 2 and 4 of the BASIC SAFETY RULES).

- Make sure that the safety is engaged.
- Engage the cut-off by depressing the cut-off lever (round side). **(Fig. 20)**
- Retract the breech bolt by means of the cocking handle to extract the live round from the cartridge chamber and eject it through the ejection port. At the end of its travel, the breech bolt is hooked into the OPEN position by the carrier which is locked by the cut-off device. Feeding from magazine is blocked. **(Fig. 21)**
- Under safety conditions, insert the extracted cartridge or another cartridge into the cartridge chamber.
- Keeping fingers away from the ejection port, depress the cut-off lever to close the breech bolt. **(Fig. 12)**

**WARNING:** The firearm is loaded and, once the safety is disengaged, ready to fire again. Make sure that the safety is fully engaged. Never point a firearm at something that is not safe to shoot. (See points 1, 2 and 4 of the BASIC SAFETY RULES).

- To fire, disengage the safety and pull the trigger.

**NOTICE:** If the firearm is to function properly, it is recommended that the cut-off be used as described above. In particular, it must be remembered that the breech bolt, when held OPEN by the cut-off, can be closed only by operating the cut-off lever.



## UNLOADING THE FIREARM

**WARNING:** The firearm is loaded and ready to fire. Always keep your fingers away from the trigger and keep the trigger free from any contact when you do not intend to fire. Never point a firearm at someone or at hard and flat surfaces. (See points 1, 2 and 4 of the BASIC SAFETY RULES).

- Pointing the firearm in a safe direction, check that safety is engaged (red ring covered).
- Engage the cut-off (**Fig. 20**) and retract the breech bolt to extract and eject the chambered live round. (**Fig. 21**)
- Keeping fingers away from the ejection port, depress the cut-off lever to close the breech bolt. (**Fig. 12**)
- Pressing down the carrier and at the same time pushing against the cartridge in the magazine, depress the breech bolt release button to ease exit of the shells from the magazine tube. (**Fig. 22**)
- Check to ensure the magazine tube and receiver are empty. Disengage the safety. Be careful where you point the firearm, even though it might not be loaded.
- Keeping the breech bolt retracted approximately 2 cm (1 inch), to allow a visual check of the cartridge chamber to ensure it is empty, depress the trigger to lower the hammer. (**Fig. 13**)

## DISASSEMBLY

**WARNING:** Check the firearm is unloaded (cartridge chamber empty, receiver empty, magazine tube empty). Check that the firearm is unloaded by looking through the ejection port, the loading gate and the chamber. If the shotgun is not unloaded, unload it as described in the chapter “Unloading the firearm”. Lower the hammer on the unloaded gun by pulling the trigger.

**WARNING:** Never point a firearm at someone or at hard and flat surfaces. Treat the firearm as if it were loaded. (See points 1, 2 and 4 of the BASIC SAFETY RULES).

## BARREL

- Check that the carrier stop push button is completely depressed. If not, depress it completely.
- Retract the breech bolt until it hooks into the OPEN position. (**Fig. 14**)
- Unscrew (counterclockwise) the fore-end cap from the firearm and remove the front swivel, if mounted. (**Fig. 10**)
- With one hand hold down the barrel and with the other hand slide the fore-end off the magazine tube. (**Fig. 9**)
- Grasping the barrel and holding the piston inside the gas cylinder with the right thumb to prevent dropping it, slide the barrel assembly forward off the stock / receiver assembly. (**Fig. 7**)
- Slide the piston off the gas cylinder. (**Fig. 6**)

## BREECH BOLT

- Holding the cocking handle with the index or middle finger of the left hand, depress the breech bolt release button and allow the breech bolt to slide slowly forward until it stops. **(Fig. 23)**
- Extract the cocking handle from the breech bolt slide. **(Fig. 24)**
- Holding the stock / receiver assembly on a table with the ejection port facing upward, slide the operating rod sleeve forward off the magazine tube to extract the breech bolt assembly from the receiver. **(Fig. 25)**

The breech bolt assembly, no longer held by the operating rod, will divide into:  
**(Fig. 26)**

- breech bolt with firing pin, locking block, extractor, springs and pins;
- breech bolt slide with connecting rod and pin.

## TRIGGER PLATE

- Engage the safety (the hammer is cocked).
- Depress the carrier stop push-button. **(Fig. 4)**
- Push out the trigger plate retaining pin by pressing it with a drift punch or other similar object. **(Fig. 27)**
- Keeping the breech bolt release button pressed, extract the trigger plate by pulling on the trigger guard with a forward and downward movement. **(Fig. 28)**

**CAUTION:** Further disassembly of the firearm is not recommended, unless carried out by a competent gunsmith.

**NOTICE:** Wholesalers, dealers or gunsmiths (unless they are a Repair Station authorized by the Manufacturer and/or by its Local Official Distributors) are not authorized to make any Warranty repair or adjustment on behalf of the Manufacturer.

## BERETTA MOBILCHOKE® TUBES

Mobilchoke® screw-in choke tubes are made of high-grade steel for corrosion resistance and durability. They are designed to withstand the rigors of non-toxic steel shot. Mobilchoke® tubes are fully interchangeable among all Beretta Semi-automatic, Over and Under and Side-by-Side Mobilchoke® shotguns.

Extra long Mobilchoke® tubes are also available and are designed to fit both single-barrel and double-barrel shotguns. The knurled extension on the tube allows for easy removal and replacement by hand, without tools.

Mobilchoke® is a registered trademark of Fabbrica d'Armi Pietro Beretta S.p.A.

## REMOVAL OF CHOKE TUBE

**WARNING:** Check the firearm is unloaded (cartridge chamber empty, receiver empty, magazine tube empty). Check that the firearm is unloaded by looking through the ejection port, the loading gate and the chamber. If not, unload the firearm by operating as described in the chapter “Unloading the shotgun”. Lower the hammer on the unloaded gun by pulling the trigger.

**WARNING:** Never look into the muzzle or change tube on a loaded gun, even with safety engaged.

- Unscrew (counterclockwise) the choke using the supplied spanner (**Fig. 39**).
- Manually unscrew the extra-long choke.
- Remove the choke from the muzzle (**Fig. 40**).

## CLEANING OF CHOKE TUBE

**WARNING:** Check the firearm is unloaded (cartridge chamber empty, receiver empty, magazine tube empty). Check that the firearm is unloaded by looking through the ejection port, the loading gate and the chamber. If not, unload the firearm by operating as described in the chapter “Unloading the shotgun”. Lower the hammer on the unloaded gun by pulling the trigger.

**WARNING:** Never look into the muzzle or change tube on a loaded gun, even with safety engaged.

- Carefully clean the choke housing. If necessary, use a cotton patch coated with Beretta Gun Oil. Dry the choke housing using a soft patch.
- Check the choke to make sure it is perfectly clean inside and outside.
- Apply a thin coat of Beretta Gun Oil to the thread of the barrel and of the choke tube.

## INSTALLATION OF CHOKE TUBE

**WARNING:** Check the firearm is unloaded (cartridge chamber empty, receiver empty, magazine tube empty). Check that the firearm is unloaded by looking through the ejection port, the loading gate and the chamber. If not, unload the firearm by operating as described in the chapter “Unloading the shotgun”. Lower the hammer on the unloaded gun by pulling the trigger.

**WARNING:** Never look into the muzzle or change tube on a loaded gun, even with safety engaged.

**WARNING:** Check the choke to make sure it is not damaged.

- Check the choke to make sure it is perfectly clean inside and outside.
- Apply a thin coat of Beretta Gun Oil to the thread of the barrel and of the choke tube.
- Insert the desired choke into the choke housing.

- Carefully hand screw the choke into the barrel clockwise. Using the Beretta spanner tighten the choke until it is fully bottomed into its recess in the barrel.

**NOTICE:** To tighten the extra long tube, it is sufficient to hand-tighten it until seated firmly.

- Remove the spanner after tightening.

**WARNING:** Periodically check, under safe conditions (firearm unloaded with cartridge chamber empty, receiver empty, magazine tube empty and breech bolt in OPEN position) whether the choke is fully and tightly set into the barrel. If necessary, firmly tighten the choke, using the Beretta spanner, until it can be tightened no more. This tightening is needed to avoid damage to the barrel and to avoid propelling the choke out of the muzzle when the gun is fired, which may cause damage to the gun or injury to persons.

**WARNING:** Choke tube must be kept correctly tightened in the barrel at all times, even during storage and cleaning. Cleaning barrel with no choke tube in place can push dirt into the barrel thread, causing improper choke installation, rusting, or barrel obstruction.

**WARNING:** Never shoot choke barrel without using choke tube. Shooting without choke tube is very dangerous as debris could be trapped by the thread and create barrel obstructions. It may also cause erratic shot pattern and can damage the barrel's internal screw thread irreparably. Do not alter or modify existing fixed choke Beretta barrel for the use of interchangeable choke tubes. The resulting wall thickness would be too thin to safely contain the pressure levels generated by shooting.

## ROUTINE MAINTENANCE

When combustion residues, grease or dirt particles have accumulated in the action, clean and lubricate the firearm.

Cleaning and lubrication of the shotgun after use is the best guarantee for protection of parts against corrosion deriving from combustion residues and from use of the firearm in humid or saline environments.

**At the end of the hunting or shooting day, perform the Routine Maintenance as indicated.**

**WARNING:** Check that the firearm is unloaded (cartridge chamber empty, receiver empty, magazine tube empty). Check that the firearm is unloaded by looking through the ejection port, the loading gate and the chamber. If the shotgun is not unloaded, unload it as described in the chapter "Unloading the firearm". Lower the hammer on the unloaded gun by pulling the trigger.

**WARNING:** Never point a firearm at someone or at hard and flat surfaces. Treat the firearm as if it were loaded. (See points 1, 2 and 4 of the BASIC SAFETY RULES).

**WARNING:** Excess oil and grease obstructing the bore even partially are very dangerous when firing and may cause damages to the shotgun and serious injury to the shooter and bystanders. Never spray or apply oil to the shotshells. Use lubricants properly: you are responsible for the proper care and maintenance of your firearm.

## BARREL

- After use, thoroughly clean the barrel bore by passing a swab through it to remove combustion residues. If necessary, use a cleaning rod with bronze brush and/or a patch soaked in a bore cleaning solvent.
- Thoroughly clean the barrel tang locking shoulder.
- Pull a clean soft patch through the barrel bore.
- Lightly lubricate the barrel bore by pulling through it a soft clean patch treated with Beretta gun oil.
- Check the barrel and the cartridge chamber to ensure that they are clean and free from obstructions.

**CAUTION:** Do not apply excess oil: accumulation of oil attracts dirt which can plug the barrel and interfere with the functioning and reliability of the gun.

## GAS CYLINDER, PISTON, MAGAZINE TUBE CAP SHAFT, EXHAUST VALVE ASSEMBLY

**CAUTION:** Magnum cartridges and particularly Super Magnum (3") shotshells produce a high amount of combustion gases. The particular composition of some Super Magnum shotshells' powder can generate a strong deposit of combustion residues. The parts of the shotgun which, coming into contact with the gases, are more affected by the combustion residues are the gas cylinder (inside) and the piston with its bushing.

- Check that the piston slides freely inside the gas cylinder.
- Carefully clean the inner side of the gas cylinder with a bronze brush sprayed with Beretta gun oil.
- When all combustion residues are removed, clean the inside of the gas cylinder with a soft cloth.
- Carefully clean the piston and check that the piston bushing can move freely in its housing.
- If necessary, also clean the exhaust valve and the magazine tube cap shaft.

**CAUTION:** Do not oil these parts.

**Every 500-1000 rounds (according to the type of ammunition used) and in any case at the end of the hunting or shooting season, before storing the shotgun, complete the Routine Maintenance with the following extra operations.**

## FORE-END FLANGE

- Carefully clean the fore-end flange exhaust valve port with a soft brush sprayed with Beretta gun oil. Carefully dry the flange with a soft cloth.

## BREECH BOLT ASSEMBLY

- Thoroughly clean the parts with a small brush and Beretta gun oil.
- Carefully dry with a soft cloth and lightly oil the parts with Beretta gun oil.

## TRIGGER PLATE

- Thoroughly clean the parts with a soft cloth.
- Lightly oil the metal parts and the trigger plate retaining pin.

## RECEIVER

- Maintain as described for the breech bolt assembly. Lightly oil the slide rails of the breech bolt inside the receiver.

## MAGAZINE TUBE

- Clean the outside of the magazine tube with a soft cloth sprayed with Beretta gun oil.
- Carefully dry with a soft cloth and lightly oil the parts.

**WARNING:** Do not attempt to make repairs to any firearm without proper knowledge or training. Do not alter parts or use substitute parts not made by Beretta. Any alterations or adjustments that may be necessary to the operating mechanism should be performed by the Manufacturer or by its Local Official Distributor.

**Every 3000-5000 rounds (according to the type of ammunition used) and in any case at the end of the hunting or shooting season, before storing the gun, in addition to the Routine Maintenance, perform the Special Maintenance as described later in this manual.**

## REASSEMBLY

**WARNING:** Check that the firearm is unloaded (cartridge chamber empty, receiver empty, magazine tube empty). Check that the firearm is unloaded by looking through the ejection port, the loading gate and the chamber. If the shotgun is not unloaded, unload it as described in the chapter "Unloading the firearm". Lower the hammer on the unloaded gun by pulling the trigger.

**WARNING:** Never point a firearm at someone or at hard and flat surfaces. Treat the firearm as if it were loaded. (See points 1, 2 and 4 of the BASIC SAFETY RULES).

## TRIGGER PLATE

- Operate in the reverse order to what is described in the chapter “Disassembly” making sure that the hammer is cocked, the safety engaged and the carrier stop push-button depressed. **(Fig. 28)**
- Insert the trigger plate retaining pin, ensuring that the trigger plate hole is centered on the receiver hole.

## BREECH BOLT

- Reassemble the breech bolt slide with connecting rod to the breech bolt. **(Fig. 36)**
- Insert the operating rod into the breech bolt slide slot. **(Fig. 37)**
- Depress the carrier stop push-button. **(Fig. 4)**
- Holding the stock/receiver assembly on a table with the ejection port facing upward, slide the operating rod sleeve on the magazine tube (the breech bolt rests on the operating rod) and partially insert the breech bolt inside the receiver. **(Fig. 25)**
- Holding the stock/receiver vertically, slide the operating rod sleeve downward, compressing the recoil spring until the breech bolt hooks into the OPEN position. **(Fig. 38)**

**NOTICE:** To carry out the described operation with ease, the head of the breech bolt connecting rod must rest in the recoil spring guide housing. This will easily occur when the connecting rod is perfectly coaxial to the breech bolt and centered in the cocking handle slideway of the receiver.

- Insert the cocking handle into the breech bolt slide and push it until it clicks home. **(Fig. 24)**

## BARREL

- Check the barrel. The bore and cartridge chamber must be clean and free from obstructions.
- Insert the piston into the gas cylinder. **(Fig. 6)**
- Check that the breech bolt is in the OPEN position.

**CAUTION:** Should the breech bolt release button be pressed in this condition, the breech bolt would slam forward and would stop only when the cocking handle hits the forward rim of the ejection port. This could damage both the handle and the receiver.

- Partially slide the barrel tang into the receiver, taking care that the piston does not drop out of the gas cylinder and that the magazine tube cap shaft enters the piston hole as well as that of the gas cylinder and the valve assembly. **(Fig. 7)**
- Slide the barrel tang home into the receiver. **(Fig. 8)**
- Slide the fore-end into place over the gas cylinder, valve assembly and magazine tube. Check that the fore-end is perfectly centered on the receiver face. The fore-end is correctly assembled when there is no space left between the parts. **(Fig. 9)**

- Place the front swivel ring (if desired and supplied) on the fore-end flange and completely tighten the fore-end cap. **(Fig. 10)**
- Close the breech bolt by depressing the breech bolt release button, keeping your fingers away from the ejection port. **(Fig. 11)**

**CAUTION:** While depressing the breech bolt release button to close the breech bolt, make sure that the cut-off is not inadvertently engaged. Should this occur, the breech bolt would be kept OPEN by the cut-off lever. In this case, always keeping your fingers away from the ejection port, close the breech bolt by operating the cut-off. **(Fig. 12)**

- Keeping the breech bolt retracted approximately 2 cm (1 inch), depress the trigger to lower the hammer. **(Fig. 13)**

**WARNING:** Do not store firearms in places which are or could be accessible by children or other persons whose unfamiliarity with firearms might lead to unsafe use. Always store your firearms securely and unloaded, separate from ammunition. (See point 3 of the BASIC SAFETY RULES).

**CAUTION:** It is recommended to store the firearm disassembled (barrel separate from the stock/receiver/fore-end assembly) in the supplied case. Before storage, always check the conditions of the gun and its case. Make sure that they are perfectly dry. Moisture and water drops could cause damage to the shotgun.

## SPECIAL MAINTENANCE

**Every 3000-5000 rounds (according to the type of ammunition used) and in any case at the end of the hunting season, before storing the shotgun, in addition to the Routine Maintenance, also perform the following Special Maintenance operations.**

**WARNING:** Check the firearm is unloaded (cartridge chamber empty, receiver empty, magazine tube empty). Check that the firearm is unloaded by looking through the ejection port, the loading gate and the chamber. If the shotgun is not unloaded, unload it as described in the chapter “Unloading the firearm”. Lower the hammer on the unloaded gun by pulling the trigger.

**WARNING:** Never point a firearm at someone or at hard and flat surfaces. Treat the firearm as if it were loaded. (See points 1, 2 and 4 of the BASIC SAFETY RULES).

### EXHAUST VALVE ASSEMBLY

**CAUTION:** Use only the supplied hook wrenches to screw and unscrew the valve assembly locking nut and counter-nut. These spanners are designed and have the right dimensions to produce the correct driving torque when a force of medium intensity is applied. Never attempt to use different wrenches which could produce an excessive driving torque. Do not apply excessive force when using the supplied spanners.



**CAUTION:** Before starting the disassembly of the exhaust valve assembly, carefully observe the position of the components parts. This will be of great help during the reassembly operations.

## DISASSEMBLY AND CLEANING

- Remove the barrel from the shotgun.
- Unscrew the valve assembly counter-nut using the supplied hook wrench, operating counterclockwise. **(Fig. 29)**
- Unscrew the valve assembly nut using the supplied wrench. **(Fig. 30)**
- Slide from the valve shaft the spring, the valve and the valve centering ring. **(Fig. 31)**
- Slide from the gas cylinder the valve shaft. **(Fig. 32)**
- Thoroughly clean the parts with Beretta gun oil. If necessary, use a bronze brush.

**CAUTION:** Be careful not to damage the threaded surfaces with excessive rubbing.

- Carefully dry with a soft cloth.
- Lightly oil the parts with Beretta gun oil.

**CAUTION:** Do not apply excess oil: accumulation of oil attracts dirt which can plug the barrel and interfere with the functioning and reliability of the gun.

## REASSEMBLY

- Insert the valve shaft into the gas cylinder, letting the shaft lugs enter the cylinder recesses. **(Fig. 33)**
- Place the valve centering ring, the valve and the valve spring around the valve shaft .
- Make sure that the valve is assembled with the outside recess turned to contain the first coil of the spring. **(Fig. 34)**
- Manually screw the valve nut on the valve shaft until tight.
- Using the supplied hook wrench, tighten the valve nut against the valve centering ring.
- Manually screw the valve counter-nut on the valve shaft until tight against the valve nut.
- Keeping the valve nut tight using one of the two hook wrenches, tighten the counter-nut against the nut with the other wrench. **(Fig. 35)**

## MAGAZINE CAPACITY

The magazine tube capacity of the AL391 Urika/Teknys (which has a three-round capacity) has been limited to two rounds by the application of a plug in order to comply with the sporting gun laws in force in many countries.

This plug, which is factory mounted, reduces the capacity of the AL391 Urika/Teknys to no more than three rounds (two in the magazine, one in the chamber).

In some areas, shooting is allowed only with shotguns having a capacity of no more than two rounds.

To use the AL391 Urika/Teknys in these areas, it will be necessary to limit the magazine capacity to only one round.

It is possible to increase the magazine capacity from two to three rounds in the countries where it is allowed.

**NOTICE:** These operations must be carried out by a competent gunsmith.

**NOTICE:** Wholesalers, dealers or gunsmiths (unless they are a Repair Station authorized by the Manufacturer and/or by its Local Official Distributors) are not authorized to make any Warranty repair or adjustment on behalf of the Manufacturer.

## STOCK DROP AND CAST MODIFICATION

The Beretta AL391 Urika/Teknys semi-automatic shotgun is factory set with a heel drop of 55 or 60 mm (2.16" or 2.36") (field, sporting, skeet models), of 40 mm. (1.57") (trap models) and cast-off (right-handed shooters).

The components which determine the drop and the cast are: (See drawing next page)

- ① Receiver-stock spacer made of technopolymer, fiber-glass reinforced.
- ② Stock metal plate.

Both the spacer ① and the plate ② are designed to secure two different drops with cast-off or with cast-on (for left handed shooters) depending on how they are assembled.

Other measures of stock drop can be obtained using the supplied extra set of spacers.

### CHANGING THE STOCK DROP AND CAST SPACERS

**NOTICE:** The "DX" mark on the spacer and on the plate means "cast-off", the "SX" mark means "cast-on". The stock drop measures are in millimetres. The stock drop and cast of the spacer ① must always correspond to those of the metal plate ②.

**NOTICE:** Stock drop and cast modification must be carried out by a competent gunsmith.

### NECESSARY TOOLS

- Screwdriver.
- Hexagonal tube spanner (13 mm).
- Torque wrench (suggested).

**WARNING:** Check that the firearm is unloaded (cartridge chamber empty, receiver empty, magazine tube empty). Check that the firearm is unloaded by looking through the ejection port, the loading gate and the chamber. If the shotgun is not unloaded, unload it as described in the chapter “Unloading the firearm”. Lower the hammer on the unloaded gun by pulling the trigger.

**WARNING:** Never point a firearm at someone or at hard and flat surfaces. Treat the firearm as if it were loaded. (See points 1, 2 and 4 of the BASIC SAFETY RULES).

## REMOVING THE RECOIL PAD

### In case of conventional recoil pad:

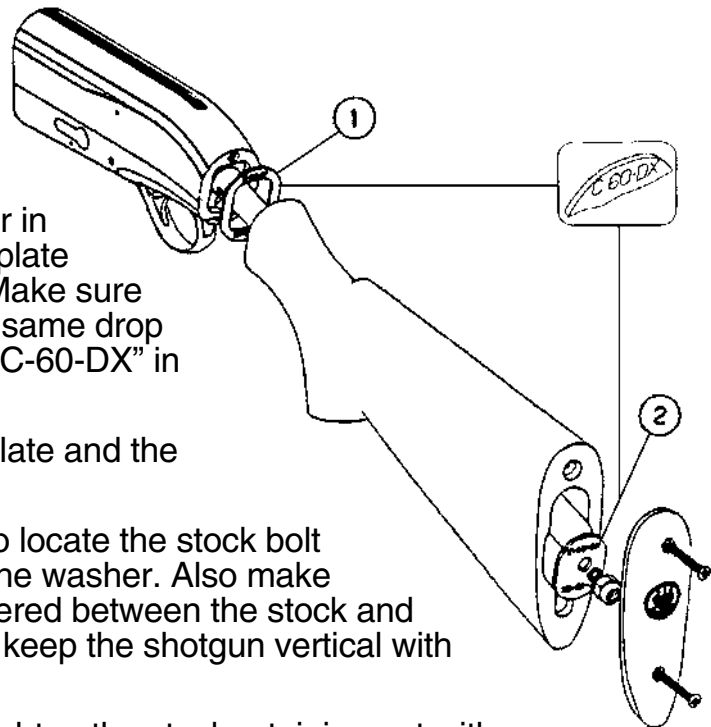
With a Phillips-head screwdriver unscrew and remove the retaining screws.

### In case of Gel•Tek recoil pad:

- With a flathead screwdriver (approx. 4 mm/0.2”), pull out retaining clasp of the Gel•Tek recoil pad. **(Fig. 41)**
- Remove the Gel•Tek recoil pad. **(Fig. 42)**

## STOCK DROP AND CAST MODIFICATION

- Disassemble the stock using the spanner and take off the spacers.
- Put the spacer ① around the stock bolt tube. Make sure that the spacer shows on the top the drop and cast wanted (“C-60-DX” in the drawing).
- Put the rear plate ② and the washer in the back hole of the stock until the plate reaches its own seat in the stock. Make sure that the plate shows on the top the same drop and cast of the spacer on the top (“C-60-DX” in the drawing).
- Use the screwdriver to center the plate and the washer.
- Assemble the stock, making sure to locate the stock bolt tube through the rear plate ② and the washer. Also make sure that the front spacer ① is centered between the stock and the receiver. (During this operation keep the shotgun vertical with the barrel down).
- Using the spanner, screw on and tighten the stock retaining nut with a torque of about 1,6/1,8 kgm (11.6/13.0 Ftlb) (Kg meter). A torque wrench is useful for this purpose.
- Screw on the recoil pad.



**WARNING:** The improper observance of this procedure could cause damage to the shotgun and/or injury to the bystanders.

## REASSEMBLING THE GEL•TEK RECOIL PAD

- With a flathead screwdriver (approx. 4 mm/0.2”), pull out retaining clasp of the Gel•Tek recoil pad. **(Fig. 42)**
- Place the pad on the stock and make sure that all bushings are placed in the proper holes. **(Fig. 41)**
- While securely pushing the pad against the stock, push retaining clasp back, until it disappears in the pad assembly. Be sure that the pad fits flush to the stock without movement. **(Fig. 43)**

## REPLACEMENT OF RECOIL PAD

The standard plastic butt-plate, rubber recoil pad, or Gel•Tek can be replaced with other Beretta recoil pads of different thickness and material (optional) without any adjustment. By assembling recoil pads of different thickness it is possible to modify the length of pull.

**NOTICE:** This operation must be carried out by a competent gunsmith.

## REPLACING THE GEL•TEK PAD WITH A CONVENTIONAL RECOIL PAD

- With a flathead screwdriver (approx. 4 mm/0.2”), pull out retaining clasp of the Gel•Tek recoil pad. **(Fig. 41)**
- Remove the Gel•Tek recoil pad. **(Fig. 42)**
- Unscrew and remove the retaining screws and their bushings from the buttstock, using a Phillips-head screwdriver.
- Pressing the conventional recoil pad firmly against the buttstock, insert the screws through the recoil pad and into the buttstock’s pre-drilled holes and tighten them with a Phillips-head screwdriver. It is advisable to oil the screwdriver head in order to facilitate its entry into the rubber material of the pad.
- Tighten the screws.

## REPLACING THE CONVENTIONAL RECOIL PAD WITH A GEL•TEK PAD

- Unscrew and remove the retaining screws with a Phillips-head screwdriver and detach the recoil pad from the buttstock. It is advisable to oil the screwdriver head in order to facilitate its entry into the rubber material of the pad.
- With a flathead screwdriver (approx. 4 mm/0.2”), pull out retaining clasp of the Gel•Tek recoil pad. **(Fig. 44)**
- Insert bushings in their lodgings in the stock and securely tighten all screws using a properly sized Phillips-head screwdriver. **(Fig. 42)**
- Place the pad on the stock, and make sure that all bushings are placed in the proper holes. **(Fig. 41)**
- While securely pushing the pad against the stock, push retaining clasp back, until it disappears in the pad assembly. Be sure that the pad fits flush to the stock without movement. **(Fig. 43)**

## REVERSIBLE SAFETY BUTTON

**WARNING:** Check that the firearm is unloaded (cartridge chamber empty, receiver empty, magazine tube empty). Check that the firearm is unloaded by looking through the ejection port, the loading gate and the chamber. If the shotgun is not unloaded, unload it as described in the chapter “Unloading the firearm”. Lower the hammer on the unloaded gun by pulling the trigger.

**WARNING:** Never point a firearm at someone or at hard and flat surfaces. Treat the firearm as if it were loaded. (See points 1, 2 and 4 of the BASIC SAFETY RULES).

The safety button is factory assembled to be engaged by pushing it from the left to the right side of the receiver and disengaged in the opposite direction with the index finger of the right hand (right-handed shooters).

By reversing the safety button, the safety is engaged by pushing from the right to the left side of the receiver and is disengaged in the opposite way by using the index finger of the left hand (left-handed shooters).

To invert the safety button:

Cock the hammer. Keeping the safety plunger depressed with a drift punch, push the safety out of its housing (from the right to the left side of the firearm).

**CAUTION:** The safety plunger spring, when mounted, is in a compressed condition. Take care not to lose the plunger and its spring.

Reverse the safety and insert it into its housing from the left to the right side of the firearm and click it into position, keeping the safety plunger depressed.

**NOTICE:** This operation must be carried out by a competent gunsmith.

## REPLACEMENT OF TRUGLO® FRONT SIGHT LUMINOUS INSERT (AL 391 Teknys)

To replace the fiber optic luminous insert with the one of diverse color supplied, proceed as follows:

- Disengage the luminous insert from the front ring by lightly pressing downwards. Extract the insert by running it in reverse so that it completely protrudes from the rear ring.
- Push the luminous insert provided into the rear ring. Press downwards and slide the front part of the insert towards the front ring until a distinctive click is felt.
- Check that the luminous insert is firmly fixed.

# WARRANTY AND EXTENSION OF THE WARRANTY REPAIR PERIOD

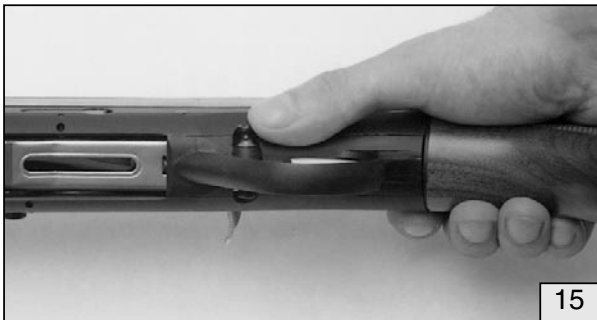
The Warranty and extension of the Warranty repair period is packed with your new Beretta firearm. Please refer to the WARRANTY and the instructions given on it in case Warranty service is required.

**NOTICE:** Wholesalers, dealers or gunsmiths (unless they are a Repair Station authorized by the Manufacturer and/or by its Local Official Distributors) are not authorized to make any Warranty repair or adjustment on behalf of the Manufacturer.

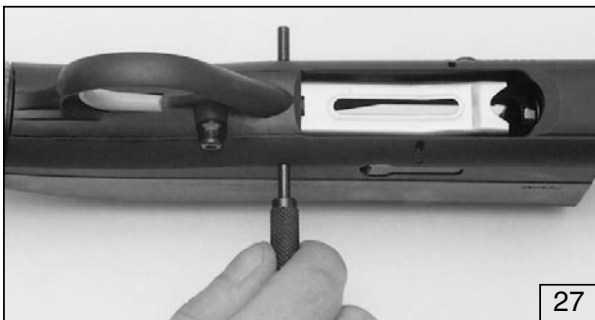
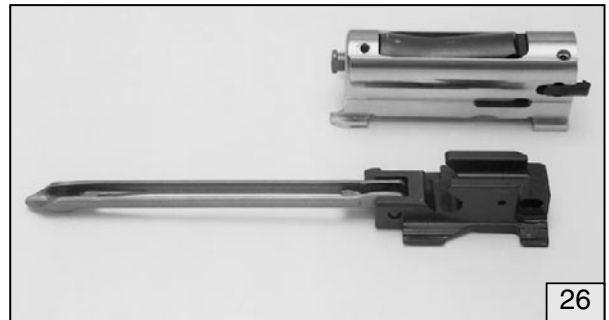
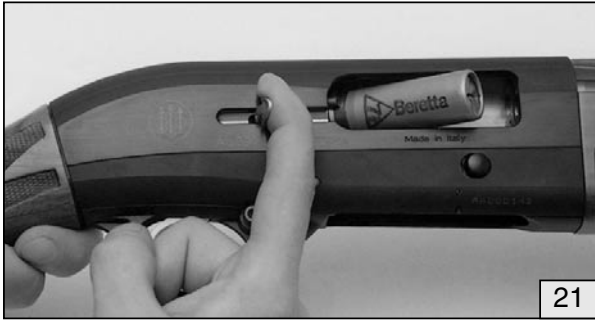
**NOTICE:** The Warranty is effective only for the original retail purchaser of the firearm.

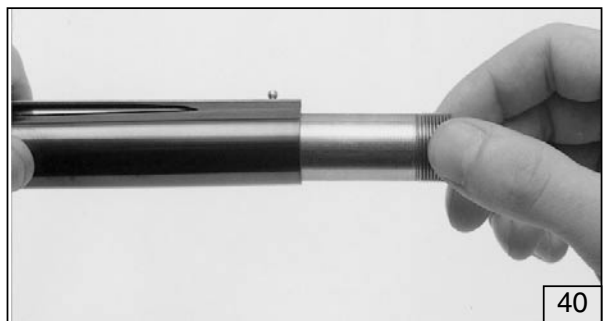
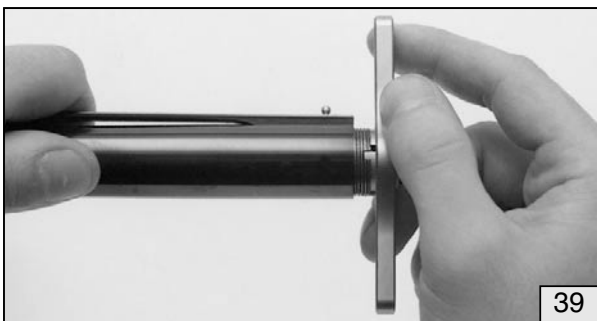
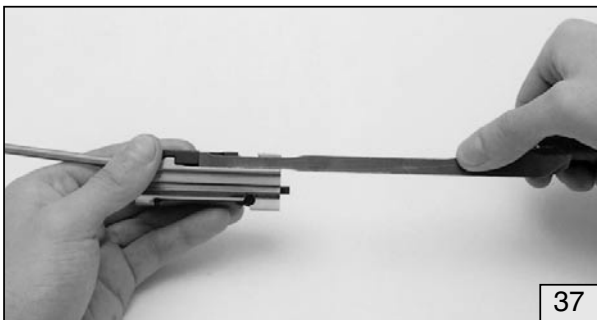
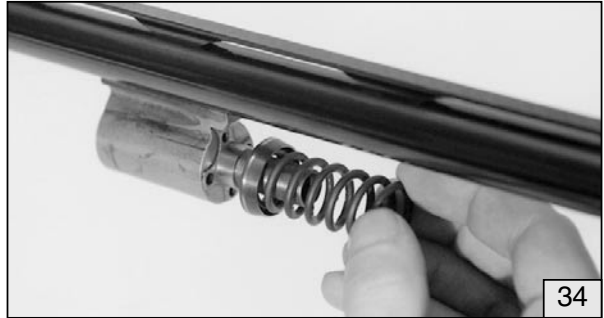
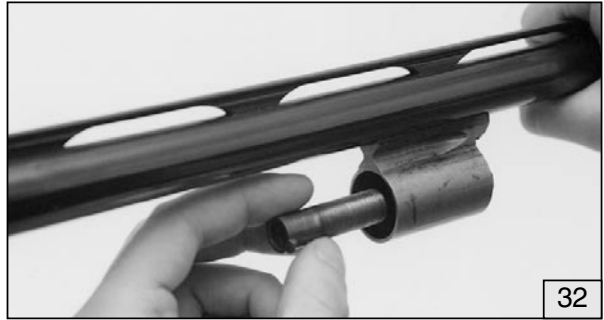
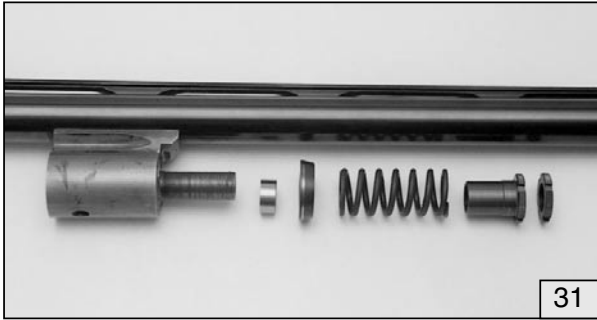


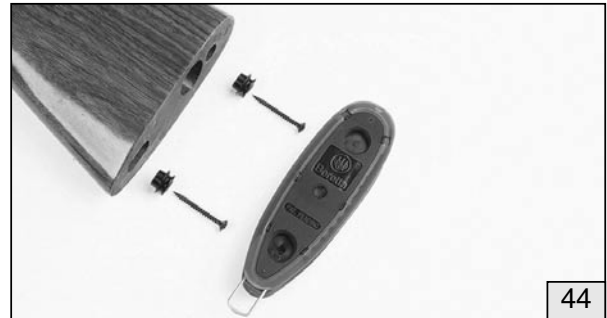
The photographs from n° 1 to n° 10 are on page 9.









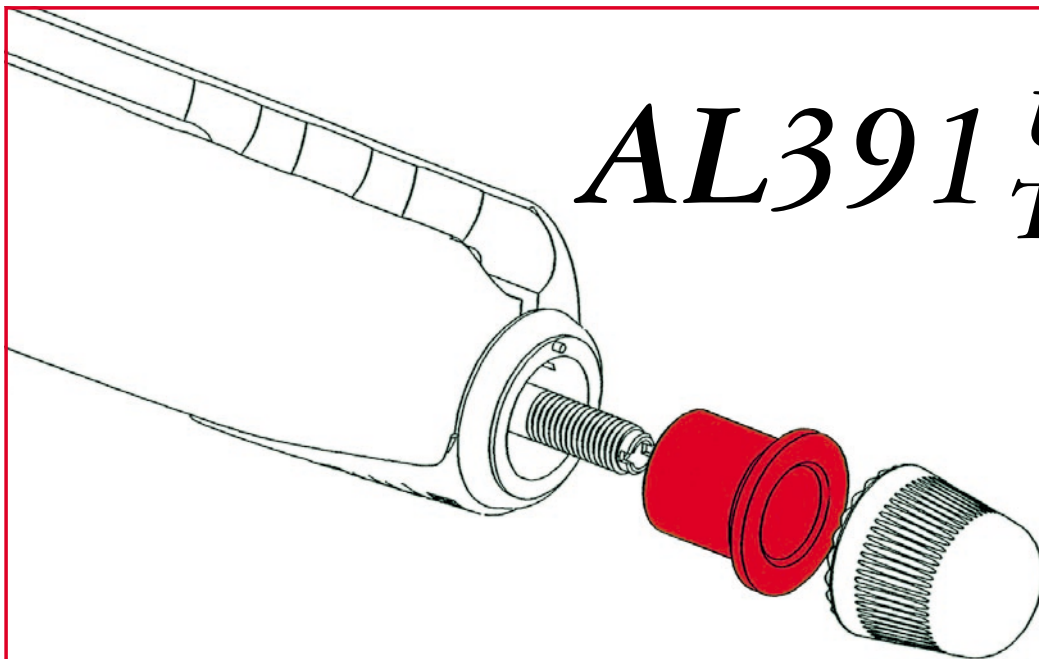


Le illustrazioni e descrizioni di questo opuscolo si intendono fornite a titolo indicativo. La Casa si riserva pertanto il diritto di apportare ai suoi modelli, in qualsiasi momento e senza preavviso, quelle modifiche che ritenesse utili per migliorarli o per qualsiasi esigenza di carattere costruttivo e commerciale.

The illustrations and descriptions given in this brochure are intended as a general guide only, and must not be taken as binding. The Company, therefore, reserves the right to make, at any moment and without notice, any changes it thinks necessary to improve its models or to meet any requirements of manufacturing or commercial nature.

Les illustrations et les descriptions contenues dans ce prospectus ne sont données qu'à titre indicatif. La Maison se réserve le droit de modifier, à tout moment et sans préavis, ses modèles pour les améliorer ou pour n'importe quelle exigence de caractère constructif et commercial.

# AL391 *Urika Teknys*



## AVVERTENZA

ALLA CONSEGNA IL FUCILE AL391 URIKA/TEKNYS È DOTATO DI UNA BUSSOLA ROSSA DI SERVIZIO CHE HA LO SCOPO DI CENTRARE IL TAPPO E L'ASTINA QUANDO L'ARMA È MONTATA SENZA LA CANNA. SI RACCOMANDA:

- 1 - DI RIMUOVERE LA BUSSOLA ROSSA DI SERVIZIO QUANDO SI MONTA LA CANNA.
- 2 - DI UTILIZZARE LA BUSSOLA ROSSA DI SERVIZIO QUANDO SI RIMONTA IL FUCILE SENZA LA CANNA PER METTERLO IN VALIGETTA.

## ATTENTION

ON DELIVERY THE AL391 URIKA/TEKNYS SHOTGUN IS PROVIDED WITH A SPARE RED BUSH WHICH IS USED IN ORDER TO FIT THE CAP WITH THE FORE-END WHEN THE SHOTGUN IS MOUNTED WITHOUT THE BARREL. DO NOT FORGET TO:

- 1 - REMOVE THE SPARE RED BUSH WHEN YOU ARE MOUNTING THE BARREL.
- 2 - USE THE SPARE RED BUSH WHEN YOU REMOUNT THE SHOTGUN WITHOUT THE BARREL IN ORDER TO PUT IT INTO THE CASE.

## PRECAUTION D'USAGE

LE FUSIL SEMI-AUTOMATIQUE AL391 URIKA/TEKNYS EST LIVRÉ AVEC UN MANCHON ROUGE DE SERVICE QUI PERMET DE CENTRER LE BOUCHON ET LE DEVANT BOIS QUAND L'ARME EST EN CONFIGURATION DE TRANSPORT DANS SA MALLETTE, C'EST À DIRE SANS QUE LE CANON SOIT MONTÉ. NOUS RECOMMANDONS DONC DE:

- 1 - ENLEVER LE MANCHON ROUGE DE SERVICE POUR MONTER LE CANON.
- 2 - UTILISER LE MANCHON ROUGE DE SERVICE POUR METTRE L'ARME AVEC SON DEVANT BOIS EN CONFIGURATION DE TRANSPORT DANS SA MALLETTE, C'EST À DIRE LE CANON DEMONTÉ.



Fabbrica d'Armi Pietro Beretta S.p.A.  
Via Pietro Beretta, 18  
25063 GARDONE VAL TROMPIA (Brescia) Italia  
Tel. (030) 8341.1 - info@beretta.com  
www.beretta.com

