



# LIMA<sup>®</sup>

LIMA320™ LASER GRIP MODULE

## ELECTRO-OPTICS



### OWNERS MANUAL & SAFETY INSTRUCTIONS

## SIG SAUER<sup>®</sup>



**READ THE INSTRUCTIONS AND WARNINGS IN THIS MANUAL CAREFULLY  
BEFORE INSTALLING ON A FIREARM; DO NOT DISCARD THIS MANUAL.**

This instruction manual should always accompany this product and be transferred with it upon ownership, or when the firearm is loaned or presented to another person.

## TABLE OF CONTENTS

Introduction . . . . .	3
Key Features . . . . .	3
Basic Rules of Safe Firearms Handling . . . . .	4
Contents . . . . .	6
Installation . . . . .	8
Battery Installation . . . . .	13
Operation . . . . .	14
Zeroing (Aligning) The Laser . . . . .	15
Cleaning . . . . .	16
Troubleshooting . . . . .	16
Specifications . . . . .	17
SIG SAUER® Electro-Optics Infinite Guarantee™ . . . . .	18
SIG SAUER Electronic & Tritium Component Limited 5-Year Warranty . . .	19

This manual is available in the following languages: French, Spanish, German, Italian, Portuguese, Russian, Afrikaans, Swedish, and Norwegian. Please visit [sigsauer.com](http://sigsauer.com) for Owners Manual downloads.

## INTRODUCTION

Congratulations on the purchase of your LIMA320™ Laser Grip Module. The LIMA320 is the only truly integrated laser sight with momentary activation. The Compact Medium size grip module can be used on any P250® pistol and the P320® Compact, Carry and Full-Size pistols chambered in 9mm, .40 and .357 calibers. The laser sight features excellent runtime and quick battery replacement without having to disassemble your pistol. The LIMA320 will NOT fit on any P320 with an external, manual lever safety mechanism.

The LIMA320 is covered by the SIG SAUER Electro-Optics Infinite Guarantee and Electronics & Tritium Component Limited 5-Year Warranty.

## FEATURES

- Fully integrated, compact medium size laser grip module with momentary activation
- Latest generation, direct red or green lasers for unmatched runtime
- Bottom mounted battery compartment allows for easy access and battery swap without firearm disassembly
- Compatible with Compact, Carry and Full-Size slides chambered in 9 mm, .357 and .40 caliber
- IPX-4 waterproof
- Designed and assembled in the USA

## THE BASIC RULES OF SAFE FIREARMS HANDLING

1. ALWAYS treat every firearm as if it were loaded.
2. ALWAYS be sure the barrel is clear of any obstruction.
3. ALWAYS be sure of your backstop, what lies beyond, and the safety of bystanders before you shoot.
4. ALWAYS use clean, dry, original factory-made ammunition of the proper type and caliber for your firearm.
5. ALWAYS wear ear protection and safety glasses when shooting.
6. ALWAYS carry your firearm so that you can control the direction of the muzzle if you fall or stumble.
7. NEVER shoot at a flat surface or water.
8. DO NOT leave an unattended firearm loaded. Firearms and ammunition should be stored separately, locked if possible, beyond the reach of children, careless adults, and unauthorized users.
9. NEVER allow your firearm to be used by anyone who has not read and understood this operator's manual.
10. DO NOT point any firearm, loaded or unloaded, at any undesired target.
11. NEVER fire your firearm near an animal unless it is trained to accept the noise: an animal's startled reaction could injure it or cause an accident.

12. NEVER drink alcoholic beverages or take drugs before or during shooting, as your vision and judgment could be seriously impaired, making your firearm handling unsafe.
13. DO NOT look into the laser.
14. DO NOT point the laser at highly reflective surfaces.
15. DO NOT point the laser at or near another person's eyes.
16. DO NOT point the laser at any person, animal, or vehicle including boats, trains and aircraft
17. BEFORE installing the laser grip module on a firearm, always ensure that the firearm is unloaded.
18. BEFORE adjusting the windage and elevation adjustments, or changing the battery, always ensure that the firearm is unloaded.

## CONTENTS:

- LIMA320 Compact, Medium size Laser Grip Module with Red or Green Class 3R Laser
- CR 1/3N Battery
- Adjustment Tool
- Lens Cleaning Swabs (2)
- Class 3R Laser Safety Warning labels

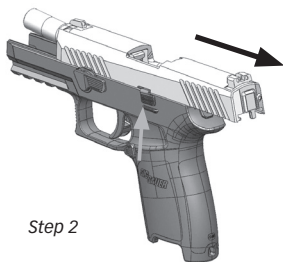
**! WARNING – DISASSEMBLY**

Do not attempt to disassemble your pistol beyond the point explained in this manual. Further disassembly should only be done at the factory. Some of the components require special skills, tools and fixtures for disassembly.

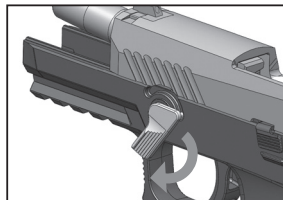
**DO NOT DISASSEMBLE BEYOND INSTRUCTIONS**

## INSTALLATION

1. After reviewing the Safe Handling section, unload the pistol.
2. Retract the slide to the stop and lock open by engaging the slide catch lever.
3. Verify visually and physically that there is no round in the chamber.
4. Rotate the takedown lever clockwise until the takedown lever can no longer rotate (due to engaging the stop that is incorporated into the frame).



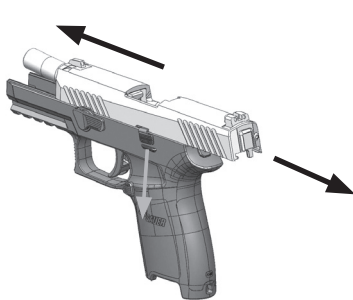
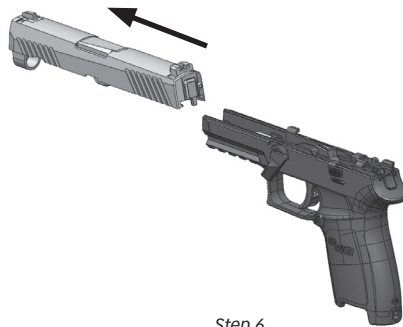
Step 2



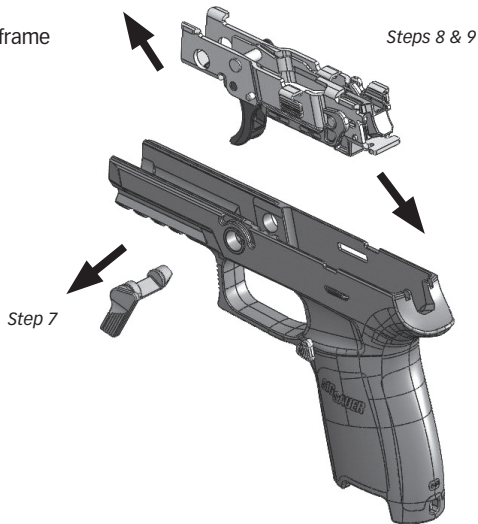
Step 4



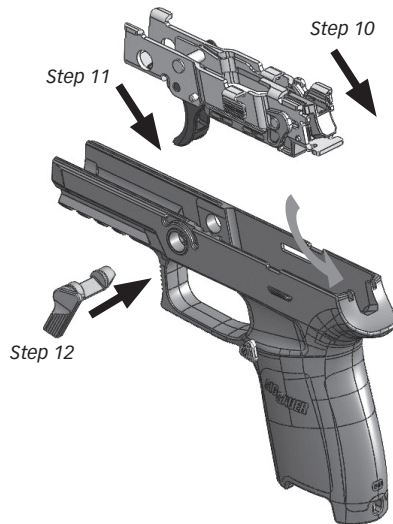
5. Retract the slide slightly to disengage the slide catch lever. Allow the slide to move forward in a controlled fashion. Note – if you have an earlier version of the P320 you may need a different slide catch lever. Please contact SIG SAUER customer service and one will be shipped to you.
6. Move the complete slide assembly (slide, barrel, recoil spring and guide) forward and off the frame.

*Step 5**Step 6*

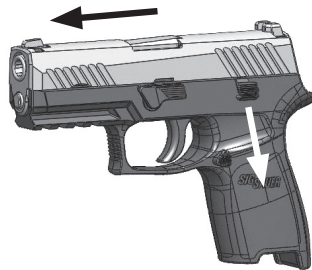
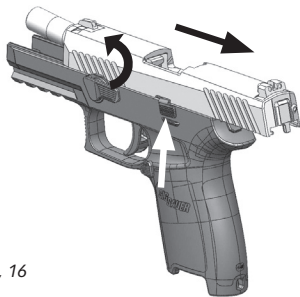
7. Remove the takedown lever (turn and pull simultaneously).
8. Push the frame assembly forward.
9. Pull up on the frame rails and remove to rotate the frame assembly out from the grip module.



10. Insert the frame assembly locking tab into the mating slot inside the rear of the grip module.
11. Press down on the frame rails, rotating the frame assembly into position.
12. Insert the takedown lever (turn and push simultaneously) through the corresponding hole on the left side of the grip module/frame assembly, locking the frame assembly in place.



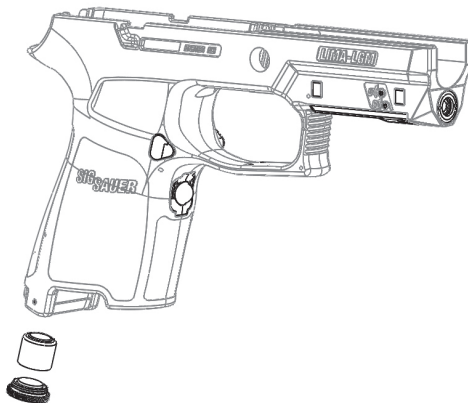
13. Guide the slide onto the frame rails from the front. Note – you may need to press the slide against a firm surface to properly seat the slide onto the laser grip module.
14. Retract the slide fully to the rear. Engage the slide catch lever to lock the slide in the open position.
15. Rotate the takedown lever counter-clockwise until horizontal.
16. Depress the slide catch lever to release the slide.



Steps 14, 15, 16

## BATTERY INSTALLATION

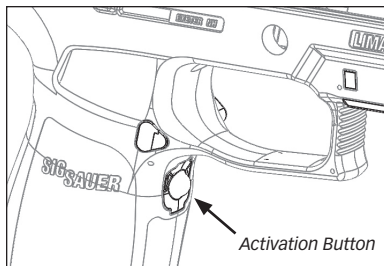
1. Remove the battery cap at the bottom of the grip module by rotating the cap counter-clockwise.
2. Insert the CR 1/3N battery positive terminal in first.
3. Install and tighten the battery cap by rotating the cap clockwise until finger tight (**CAREFUL NOT TO STRIP THREADS**).



## OPERATION

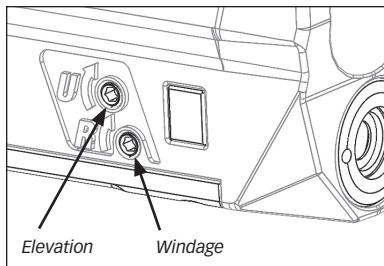
The LIMA320 was installed with momentary activation. By gripping the pistol the activation button below the trigger guard will turn the laser on. With practice the operator can control the amount of pressure to activate or not activate the laser sight.

The LIMA320 has a Low Battery indicator mode. If the laser flashes 3 times in one second, then your battery is running low. Please replace the battery. The Low Battery indicator flashes three times immediately after activating the laser if the battery is too low.



## ZEROING (ALIGNING) THE LASER

Windage and elevation screws are located on the right side of the grip module just below the muzzle. Using the supplied adjustment tool, adjust the elevation (upper adjustment) and windage (lower adjustment) to align with the iron sights.



## CLEANING

With heavy use the laser may appear dim. Using the supplied cotton swabs, wipe the laser aperture clean for best performance.

## TROUBLESHOOTING

### **Laser appears dim:**

Replace the battery and clean the laser aperture.

### **Laser will not turn on or stay on:**

Contact SIG SAUER for a replacement.

### **Laser will not maintain point of aim:**

Adjust the windage and elevation adjustments multiple turns in each direction. Rezero the laser. If the laser will still not maintain point of aim during live fire contact SIG SAUER for a replacement.

### **Laser is flashing 3 times:**

This is your low battery indicator. Please replace the 1/3N battery.



## SPECIFICATIONS

LIMA320	
Dimensions	7.25" L x 4" H x 1.5" W
Weight	4 ounces
Visible Laser Wavelength	Red 635 nm; Green 520 nm
Laser Class	IEC Class 3R
Battery	CR 1/3N Lithium
Runtime	Red > 4 hours; Green > 2 hours

	<b>LASER RADIATION</b> <b>AVOID DIRECT EYE EXPOSURE</b>
	 <b>Maximum Output &lt; 5mW</b> <b>Laser Diode 510-700nm</b> <b>CLASS IIIa LASER PRODUCT</b>
<b>Complies with</b> <b>21CFR 1040.10</b>	



### **SIG SAUER Electro-Optics Infinite Guarantee™**

SIG SAUER has manufactured the most rugged, dependable high-performance firearms for over two centuries. Our heritage of design, engineering and precision-manufactured quality predates the existence of any other optics company worldwide. We understand the importance of quality in the line of fire, at the shooting range or on your next hunt. SIG SAUER Electro-Optics had to earn the right to wear that badge and the Infinite Guarantee has your back, forever. Period.

We will repair or replace your SIG SAUER product in the event it becomes damaged or defective, at no charge to you. If we cannot repair your product, we will replace it with a product in perfect working order of equal or better physical condition. It doesn't matter how it happened, whose fault it was, or where you purchased it.

### **SIG SAUER Infinite Guarantee™**

- Unlimited Lifetime Guarantee
- Fully Transferable
- No Warranty Card Required
- No Receipt Required
- No Time Limit Applies
- No Charge

If you ever have a problem, no matter the cause, we promise to take care of you when it counts. Please note that our Infinite Guarantee does not provide coverage for intentional damage, misuse, cosmetic damage that does not affect the performance of the optic, loss, theft or unauthorized repair or modification. Excludes electronic components.



### **SIG SAUER Electronic & Tritium Component Limited 5-Year Warranty**

For components not included under the SIG SAUER® Infinite Guarantee™, this warranty covers any defects in materials and workmanship in the electronic and Tritium components of illuminated riflescopes/sights, pistol sights, electronic sights, flashlights, lasers, binoculars, spotting scopes, and rangefinders. This warranty lasts for five years from the date of manufacture. If, during that five-year period, these products are found to have electronic or Tritium component defects in materials or workmanship, SIG SAUER will repair your product, at no charge to you. If we cannot repair your product, we will replace it with a product in perfect working order of equal or better physical condition.





**SIGSAUER**<sup>®</sup>  
NEVER SETTLE

**FOR PRODUCT SERVICE ON THIS MODEL, PLEASE CALL 603-610-3000**

27100 SW Parkway Ave., Wilsonville, OR 97070 USA

P/N 7401279-01 R00

[sigsauger.com](http://sigsauger.com)