

INSTRUCTION MANUAL

CHIAPPA
firearms

Mfour-22, M4-22Upper



NASGW



OFFICIAL SPONSOR

ATTENTION: BEFORE REMOVING THIS FIREARM FROM ITS PACKAGE READ & UNDERSTAND WARNINGS, INSTRUCTIONS AND PRECAUTIONS IN THIS USER'S MANUAL

INDEX

WARNINGS	3
SAFETY RULES	4
IDENTIFYING MARKINGS.....	5
AMMUNITION	6
MODEL RANGE	7
SAFETY FEATURES	9
BREAK-IN PERIOD	10
LOADING	10
SIGHT ADJUSTMENT	12
SHOOTING/FIRING.....	13
UNLOADING.....	14
ASSEMBLY.....	14
DISASSEMBLY (FIELD STRIPPING).....	15
CLEANING	15
ORDINARY & EXTRAORDINARY MAINTENANCE	17
TROUBLESHOOTING TIPS.....	18
WARRANTY CONDITIONS.....	19
MFOUR STANDARD EXPLODED VIEW & PARTS LIST	22
MFOUR "PRO" EXPLODED VIEW & PARTS LIST	25

WARNINGS

The manufacturer is not responsible for damage to objects caused by misuse of the gun or for injuries to persons or animals, or in case of death, caused voluntarily or involuntarily by the gun user.

The manufacturer is not responsible for injuries caused by poor maintenance, misuse of the gun, unauthorized or improper modifications.

The manufacturer declines responsibility for the indirect consequences of any injuries and / or death of persons or animals, damage to objects caused by use of the gun or by primer explosion, by bullet's ricochet, or unsafe loading practices and / or procedure.

Read the entire manual and learn the proper use of the gun without live ammunition. It is important that you understand the proper use of this product.

The life of the people close to you may depend on your safe behaviour.

If the manual is not clear, please contact the dealer where you bought the gun or call the distributor or the manufacturer by using the contact information provided within this manual.

The manufacturer declines any responsibility for misuse of the firearm. In case of alteration of the firearm, The manufacturer declines any civil and penal responsibility and will not refund any damage.

QUALITY INSPECTION: Every firearm is thoroughly inspected by the manufacturer, for function and cosmetic blemish, prior to shipment.

To guarantee the gun is safe, all guns produced in the Italian facility are sent to the National Proof House of Gardone Val Trompia – BRESCIA – ITALY for proof testing, in compliance with Italian law. The Proof House tests the firearm with heavy loads then checks the barrel, chamber and headspace to make certain the firearm is safe for use with standard factory ammunition. The National Proof House will put their markings on the gun, certifying the gun is qualified and can be sold.

Guns produced in our US facility are scrupulously tested in our premises.

Warning!

Discharging firearms in poorly ventilated areas, cleaning firearms, or handling ammunition may result in exposure to lead or other substances known to the State of California to cause birth defects, reproductive harm, and other serious physical injury. Have adequate ventilation at all times. Wash hands thoroughly after exposure.

ANY LEGAL DISPUTE WILL BE UNDER THE JURISDICTION OF A COURT IN THE STATE OF OHIO – USA, OR IN THE COURT OF BRESCIA – ITALY, AT OUR DISCRETION.

SAFETY RULES

1. Read the instructions carefully before use. Reading the manual and careful examination of the gun are fundamental to avoid any kind of problem.
2. Be aware that you are handling a firearm; therefore your knowledge and behaviour may affect your life and those of the people close to you.
3. Guns and ammunitions must be kept in separate places.
4. ALWAYS keep guns and ammunitions out of reach of children.
5. Store the gun in a clean, dry and airy place after use to avoid rust in mechanical parts that may cause serious problems in functioning after a period of inactivity.
6. The gun must ALWAYS be stored unloaded, ALWAYS check that the chamber is empty.
7. Keep away from open flame or heating sources.
8. Never leave a loaded gun unattended.
9. Never leave the weapon loaded, it could fall and cause injury and death. Always point the gun in a safe direction, and handle it as though it were loaded. This is especially important when loading and unloading the gun, and when handing it to someone else. Never take someone's word that it is unloaded. Always make sure the gun is unloaded before laying it down or handing it to someone else.
10. After use, clean and lubricate the inside of the barrel with appropriate oil. Grease or oil build up can cause excessive pressure and result in serious personal injuries. Before using the gun again, inspect the barrel and chamber to make certain that there are no obstructions in the bore. Remove any oil residue with rod and dry patch before shooting.
11. Accumulation of rust in the barrel can cause excessive pressures resulting in serious injury and may cause the explosion of the barrel. A rusted, pitted or eroded barrel should be replaced.
12. Before shooting ALWAYS check to ensure that the barrel is free of obstructions.
13. Never force a jammed action, this act could cause explosion of the round and consequent injury.
14. Use exclusively factory loaded ammunition of the caliber specified on the firearm barrel. Use of different calibers may cause serious personal injuries to you and to people close to you.
15. In case of misfire, manually extract the cartridge from the chamber. If firearm fails to fire when trigger is pulled, as a result of slow primer ignition (hangfire), keep muzzle pointed downrange for a minimum of 30 seconds. If the round does not fire, remove the magazine, clear the weapon and examine the ejected, unfired cartridge. If the indent from the firing pin is off center, light or absent, take the gun to a competent gunsmith. If the indent appears normal compared to other rounds, assume a faulty round, separate from other cartridges, reload and continue shooting.
16. Do not attempt to re-use unexploded ammunitions.
17. NEVER modify any parts of your gun. Any alteration may cause serious personal injury and voids the warranty.
18. Only a qualified gunsmith may service the gun for repair or serious maintenance.
19. Pay great attention during transportation and use. Mechanical safety devices can fail. Developing intelligent, good safety habits is the best way to prevent accidents.
20. Never rest your finger on the trigger until the very moment you wish to shoot. Always keep the safety on until you are ready to safely shoot at an intended target (see safety features).
Note: Safety devices on guns are extras and are not a substitute for your proper and safe handling practices.
21. ALWAYS keep the gun unloaded when transporting it from home to the shooting areas. Carefully check that cartridge chamber is empty.
22. When you walk around with the gun in a shooting area, ALWAYS keep the muzzle pointed in a safe direction.
23. NEVER run with a loaded gun, don't cross any obstacle (fences or water courses, etc.) or walk where there is any possibility of slipping or falling without having your firearm unloaded and in safety position.
24. When selecting a place to shoot, always be absolutely sure of your target and the area behind it before you touch the trigger, making sure there is an adequate backstop which

will stop and contain bullets. A bullet can travel through or past your target with a range up to 1 1/2 miles. If you have any doubt, do not shoot.

25. Never shoot against a solid surface or in a pool of water, the projectiles could ricochet and shoot toward any direction. Don't shoot up into the sky.
26. Keep all bystanders behind you, standing beside a shooter is not a safe position. Make sure all other shooters and bystanders are well away from the ejection port.
27. Do not smoke while handling, loading or shooting any ammunition, especially black powder. Keep black powder in a closed container at all times, reclosing the container after each and every use.
28. Never drink alcoholic beverages or take any drugs before or during shooting, as this not only constitutes criminal disregard for your safety and that of others, but will seriously impair your judgment and vision. Never use a gun while you are taking medication unless you have checked with your doctor to ensure your fitness to handle the gun safely.
29. Always wear and encourage others near you to wear proper ear protection when shooting, especially on a range since the noise from your gun, and other guns close to you, could result in permanent hearing loss.
30. Always wear protective shooting glasses to protect your eyes from injury by gun powder, gas, lubricant, dirt or metallic particles, carbon residue, sparks or other debris.
31. Wash hands thoroughly after shooting and handling firearms to remove any unwanted residues.
32. NEVER leave the loaded firearm or the loaded magazine in the sun
33. By replica firearms there is no modern safety. In this case you must pay even more attention to safety rules.

REMEMBER: No mechanical safety device is infallible.

The user is responsible for injuries or damages caused to him or to other persons.

COMPLETE KNOWLEDGE OF YOUR FIREARM CAN MAKE THE DIFFERENCE.

IDENTIFYING MARKINGS

Every gun we produce has a serial number that is marked on the receiver/frame. Close to the serial number you will also find the manufacturers information with the model name and caliber marked either on the frame or the slide as required by law.

These markings must not be removed from the firearm for any reason.

AMMUNITION

ATTENTION: For best performance of the M4-22 we recommend the use of quality .22 LR ammunition high velocity

Please allow 100-150 rounds for initial "Break-In" period

NOTICE

WE SPECIFICALLY DISCLAIM RESPONSIBILITY FOR ANY DAMAGE OR INJURY WHATSOEVER OCCURRING IN CONNECTION WITH, OR AS THE RESULT OF, THE USE OF FAULTY, OR NONSTANDARD, OR "REMANUFACTURED" OR HANDLOADED (RELOADED) AMMUNITION, OR OF CARTRIDGES OTHER THAN THOSE FOR WHICH THE FIREARM WAS ORIGINALLY CHAMBERED.

- Death, serious injury, and damage can result from the use of wrong ammunition, bore obstructions, powder overloads, or incorrect cartridge components.
- Use only ammunition specifically recommended for your firearm (the caliber is specified on the barrel/cylinder/frame).
- Always use cartridges whose length is equal or inferior to that indicated on the barrel.
- Use only high quality, original factory manufactured ammunition whose pressure cannot be higher than the one stated by S.A.A.M.I. or C.I.P.
- Your gun has been designed for ammunition of a specific caliber – do not alter the barrel, chamber, caliber for which your gun was designed.
- Be sure you never mix ammunition.
- Firearms may be severely damaged, and serious injury to the shooter or others may result from any condition causing excessive pressure inside the chamber or barrel during firing. Excessive pressure can be caused by obstruction in the barrel, propellant powder overloads, or by the use of incorrect or defectively assembled cartridges. In addition, the use of a dirty, corroded or damaged cartridge can lead to a burst cartridge case and consequent damage to the firearm and personal injury from the sudden escape of high-pressure propellant gas within the firearm's mechanism.

Immediately stop shooting and check the barrel for a possible obstruction whenever:

- You have difficulty in, or feel unusual resistance in chambering a cartridge
- A cartridge misfires (does not go off)
- The mechanism fails to extract a fired cartridge case
- Unburned grains of propellant powder are discovered spilled in the mechanism
- A shot sounds weak or abnormal

In such cases it is possible that a bullet is lodged part way down the barrel. Firing a subsequent bullet into the obstructed barrel can damage the firearm and cause serious injury to the shooter or bystanders.

Bullets can become lodged in the barrel:

- If the cartridge has been improperly loaded without propellant powder, or if the powder fails to ignite. Ignition of the cartridge primer alone will push the bullet out of the cartridge case, but usually does not generate sufficient energy to expel the bullet completely from the barrel.
- If the bullet is not properly seated tightly in the cartridge case. When such a cartridge is extracted from the chamber without being fired, the bullet may be left behind in the bore at the point where the rifling begins. Subsequent chambering of another cartridge may push the first bullet further into the bore.

- If there is any reason to suspect that a bullet is obstructing the barrel, immediately unload the firearm and look through the bore. It is not sufficient to merely look in the chamber. A bullet may be lodged some distance down the barrel where it cannot easily be seen. If a bullet is in the bore, do not attempt to shoot it out by using another cartridge, or by blowing it out with a blank or one from which the bullet has been removed. Such techniques can generate excessive pressure, damage the firearm and cause serious personal injury. If the bullet can be easily removed with a wood or brass dowel, (using hand pressure only, never "hammer" a bullet lodged in the bore) clean any unburned powder grains from the bore, chamber and mechanism before resuming shooting. If the bullet cannot be dislodged by tapping it with a cleaning rod, take the firearm to a gunsmith.
- Dirt, corrosion, or other foreign matter on a cartridge can impede complete chambering and may cause the cartridge case to burst upon firing. The same is true of cartridges which are damaged or deformed.
- Don't oil cartridges, and be sure to wipe the chamber clean of any oil preservative before commencing to shoot. Oil interferes with the friction between cartridge case and chamber wall that is necessary for safe functioning, and subjects the firearm to stress similar to that imposed by excessive pressure.
- Use lubricants liberally on the moving parts of your firearm. Avoid excessive spraying of any aerosol gun care product, especially where it may get on ammunition. All lubricants, and aerosol spray lubricants in particular, can penetrate cartridge primers and cause misfires. Some highly penetrative lubricants can also migrate inside cartridge cases and cause deterioration of the propellant powder; on firing, the powder may not ignite. If only the primer ignites, there is a danger that the bullet may become lodged in the barrel.

The use of reloaded or improper ammunition voids the warranty.

MODEL RANGE

EUROPE	USA	EUROPE	FAMILY	Availabil
CODE	CODE	DESCRIPTION		
500.077	CF500.077	MFOUR-22 cal .22LR 28rd TAN, 2 mag	mfour	ALL
	CF500.098	MFOUR-22 CARBINE TAN 10 RDS	mfour	ALL
500.062	-	M-FOUR rifle .22LR 16" 5rd, 2 magaz BL	mfour	Europe
500.065	CF500.069	M-FOUR rifle .22LR 16" 10rd, 2 magaz BL	mfour	ALL
500.066	CF500.063	M-FOUR rifle .22LR 16" 28rd, 2 magaz BL	mfour	ALL
500.090	CF500.090	MFOUR-22 PRO RIFLE SH .22LR 28rds	mfour	ALL
500.091	CF500.091	MFOUR-22 PRO RIFLE SH.22LR 10rds	mfour	ALL
500.088	CF500.088	MFOUR-22 PRO RIFLE LO .22LR 28rds	mfour	ALL
500.089	CF500.089	MFOUR-22 PRO RIFLE LO .22LR 10rds	mfour	ALL
500.061	-	M4 UPPER RECEIVER 16", .22LR, 5rds BL	M4	Europe
500.067	CF500.058	M-4 UPPER RECEIVER, .22LR 16" 10rd BL	M4	ALL
500.068	CF500.059	M-4 UPPER RECEIVER .22LR 16" 28rd BL	M4	ALL
500.093	500.093	M4-22 UPPER PRO 22LR SH 28rd	M4	ALL
500.094	500.094	M4-22 UPPER PRO 22LR SH 10rounds	M4	ALL
500.095	500.095	M4-22 UPPER PRO 22lr LO 28rds	M4	ALL
500.096	500.096	M4-22 UPPER PRO.22LR LO10rd BL,2mag	M4	ALL
500.071	CF500.071	M-FOUR PISTOL.22LR 6" 28rd, 2 mag. BL	M4PST	ALL
	CF500.072	MFOUR PISTOL CAL .22LR USA 10 SHOT	M4PST	USA only

EUROPE	USA	CALIBER	Barrel length		Total length		Weight	
CODE	CODE		in	cm	in	cm	Kg	lbs
500.077	CF500.077	.22LR	16"	40,6	34"1/4	87	2,5	5,5
	CF500.098	.22LR	16"	40,6	34"1/4	87	2,5	5,5
500.062	-	.22LR	16"	40,6	34"1/4	87	2,5	5,5
500.065	CF500.069	.22LR	16"	40,6	34"1/4	87	2,5	5,5
500.066	CF500.063	.22LR	16"	40,6	34"1/4	87	2,5	5,5
500.090	CF500.090	.22LR	16"	40,6	34,25	87	2,63	5,8
500.091	CF500.091	.22LR	16"	40,6	34,25	87	2,63	5,8
500.088	CF500.088	.22LR	16"	40,6	34,25	87	2,63	5,8
500.089	CF500.089	.22LR	16"	40,6	34,25	87	2,63	5,8
500.061	-	.22LR	16"	40,6	23"5/8	60	1,67	3,68
500.067	CF500.058	.22LR	16"	40,6	23"5/8	60	1,67	3,68
500.068	CF500.059	.22LR	16"	40,6	23"5/8	60	1,67	3,68
500.093	500.093	.22LR	16"	40,6	23,625	60	1,81	4
500.094	500.094	.22LR	16"	40,6	23,625	60	1,81	4
500.095	500.095	.22LR	16"	40,6	23,625	60	1,81	4
500.096	500.096	.22LR	16"	40,6	23,625	60	1,81	4
500.071	CF500.071	.22LR	6"	15,5	14"1/4	36	1,8	3,9
	CF500.072	.22LR	6"	15,5	14"1/4	36	1,8	3,9

EUROPE	USA	Finish	Shots	Front sight	Rear sight	NOTES
CODE	CODE	Stock/Grips				
500.077	CF500.077	Tan	28	adj in elevation	adj	
	CF500.098	Tan	28	adj in elevation	adj	
500.062	-	Black Polymer	5	adj in elevation	adj	
500.065	CF500.069	Black Polymer	10	adj in elevation	adj	
500.066	CF500.063	Black Polymer	28	adj in elevation	adj	
500.090	CF500.090	Black Polymer	28	none	none	Collapsable stock
500.091	CF500.091	Black Polymer	10	none	none	Collapsable stock
500.088	CF500.088	Black Polymer	28	none	none	Collapsable stock
500.089	CF500.089	Black Polymer	10	none	none	Collapsable stock
500.061	-	Black Polymer	5	adj in elevation	none	
500.067	CF500.058	Black Polymer	10	adj in elevation	none	
500.068	CF500.059	Black Polymer	28	adj in elevation	none	
500.093	500.093	Black Polymer	28	none	none	
500.094	500.094	Black Polymer	10	none	none	
500.095	500.095	Black Polymer	28	none	none	
500.096	500.096	Black Polymer	10	none	none	
500.071	CF500.071	Black Polymer	28	adj in elevation	adj	
	CF500.072	Black Polymer	10	adj in elevation	adj	

SAFETY FEATURES

NEVER ASSUME THE GUN IS UNLOADED. You can never be sure a gun is unloaded unless you check that the charger is not in place/ the cartridge chamber / magazine tube / cylinder is completely empty.

Never rely solely on mechanical features alone - always be extremely careful, use safe gun handling practices, and avoid situations which could lead to an accident.

This firearm is equipped with several safety features which, if properly employed, can minimize the danger of accidental discharge.

Manual Safety

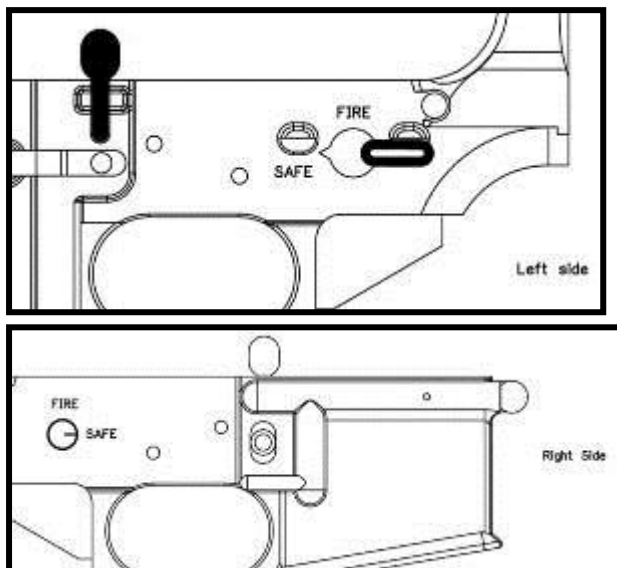
WARNING: Always leave the manual safety engaged (on "SAFE") until you intend to fire.

Manual Safety

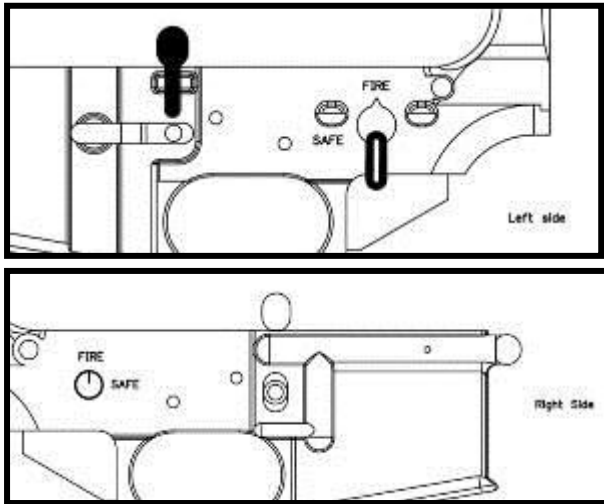
SafePosition - turn the safety lever to the left, so that it will indicate "SAFE" (picture A).

FirePosition - turn the safety lever to the right so the word "FIRE" is visible (picture B).

On the right side of the firearm you also have an indicator for the position of the manual safety (see pictures).



PICTURE "A"



PICTURE "B"

Never rely solely on mechanical features alone- always be extremely careful, use safe gun handling practices, and avoid situations which could lead to an accident.

Functional Inspection:

1. Bolt movement: Remove the magazine and retract the bolt by pulling back the charging handle. Release the charging handle to return the bolt fully forward into battery.
2. Bolt catch: Insert the empty magazine, retract the bolt by pulling back the charging handle. The bolt locks back in rearmost position.
3. Decocking: Make sure that the firearm is unloaded (chamber cleared, barrel clear of any obstructions, magazine empty). Make sure the muzzle is pointed in a safe direction. Pull the trigger. The hammer drops in decocked position.

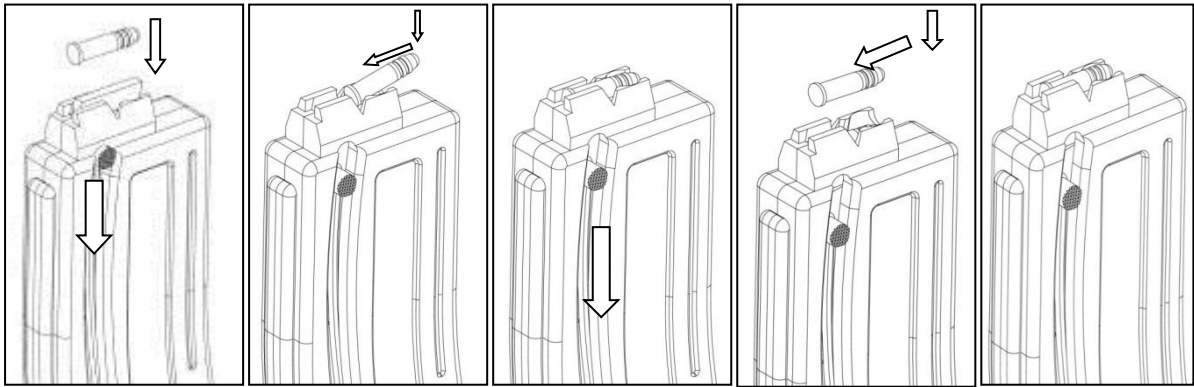
BREAK-IN PERIOD

Before firing the gun for the first time, Field Strip and clean the firearm following proper procedures. For proper Break-in of the firearm shoot 100-150 rounds of High-velocity, quality Factory Ammunition, cleaning and lubricating the gun every 200-300 rounds.

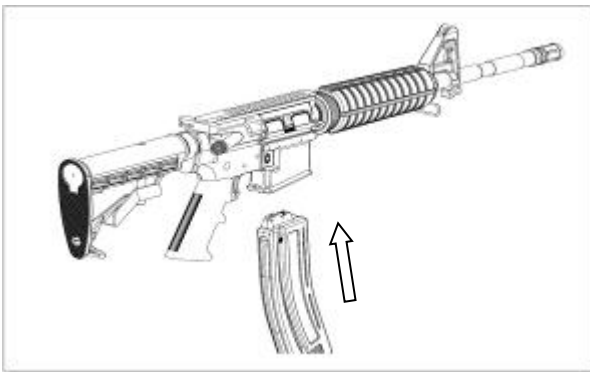
LOADING

Warning: Keep muzzle pointed in safe direction and follow all safety procedures at all times. Practice these steps with an unloaded gun or dummy ammo until you are completely familiar and comfortable with the procedures. Use live ammo only when you are prepared to shoot. Always use clean, dry, high quality ammunition (of the proper caliber) that meets industry performance standards.

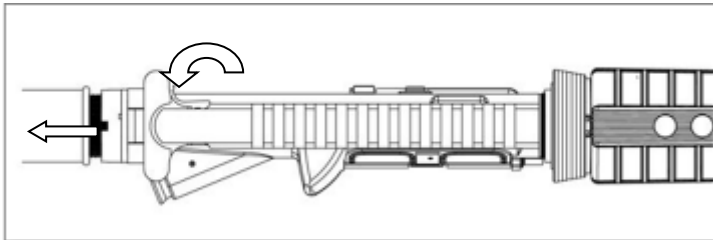
1. Press magazine release and remove empty magazine.
2. Use the side-mounted button to push the follower down. Insert the cartridge under the magazine lips, at the same time pushing down the follower. Do not use excessive force. The follower must be pushed just enough to allow one cartridge at a time to be placed into the magazine.

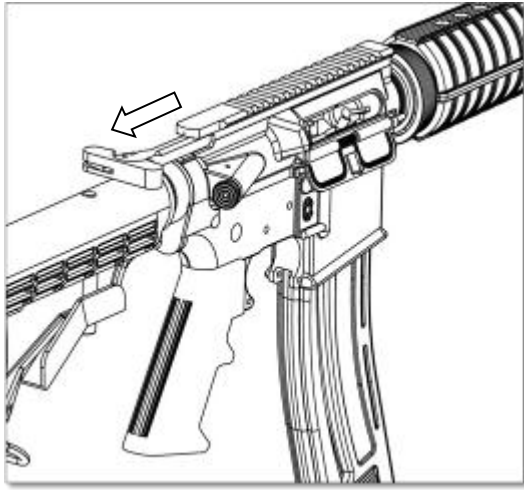


3. Insert the loaded magazine until the magazine catch locks it in position.



4. To load the chamber with the first cartridge, pick up the firearm with your shooting hand and point the muzzle in a safe direction.
5. Use your other hand to retract and release the bolt with the help of the charging handle. As the bolt travels forward it inserts the first round into the chamber. The hammer is now cocked. Leave the safety in the safe position until you are ready to fire.





Warning: Never put your hand in front of the muzzle.
Always load a round into the chamber by feeding it from the magazine.

COLT M4/M16 cal. 22LR are designed so that they are able to fire when the magazine is removed. Therefore, if the magazine is removed from the firearm and there is a loaded round in the chamber, it will fire if the trigger is pulled. After inserting a magazine, always test to make sure it is locked in place by applying some removal pressure to the magazine.

Your firearm is now ready to fire. Keep your finger off the trigger and **out of the trigger guard until you are ready to fire.**

SIGHT ADJUSTMENT

Setting of the dual aperture rear sight

The dual aperture rear sight can be adjusted for two target ranges by flipping it forward or backward.

Short Range - The larger aperture is used for 0 - 200 yards range (0-200 meters).

Normal Range - The smaller aperture is used for over 200 yards (200 meters) range.

Setting of the rear sight

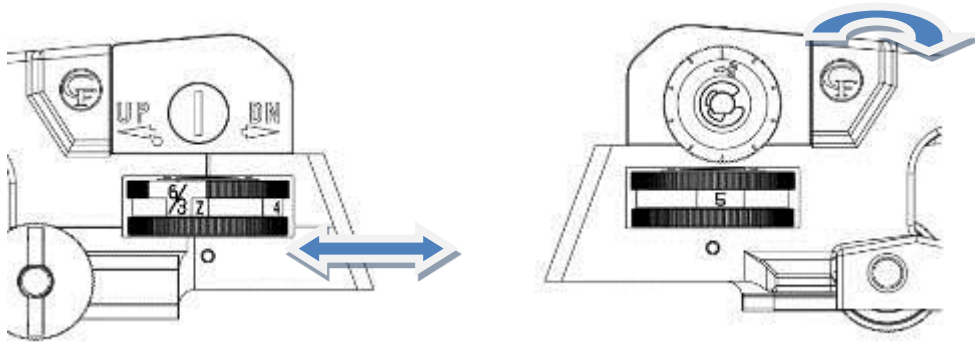
The elevation is adjusted using the elevation knob below the rear sight. Turning the knob adjusts elevation up or down. Amount of adjustment is defined by a click when the knob is turned.

The windage is adjusted using the windage knob on the side of the rear sight. Turning the knob adjusts for windage left or right. Amount of adjustment is defined by a click when the knob is turned.

Note: Because this is a replica, the markings on the elevation and windage knobs are not set for .22 LR ammunition.

Mounting an optical sight

To mount an optical sight, the carry handle can be removed by losing the nuts on the left side of the carry handle. This will provide a mil-standard rail for mounting of optics.

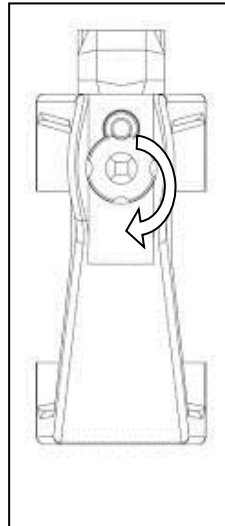
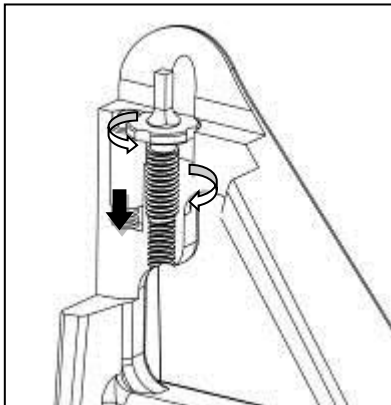


Setting of the front sight post

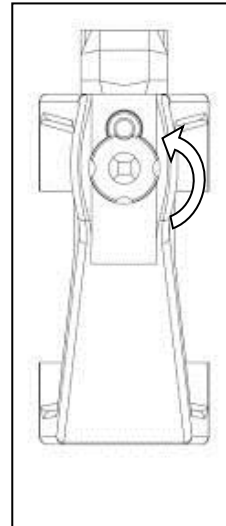
The **elevation** is adjusted by pushing in the front sight post detent near the front sight post and simultaneously turning the front sight post in desired position. The front sight post must be engaged in one of the 4 detents.

NOTE: Adjustment of the front sight post is for initial zeroing of the rifle. For all future elevation adjustments use the rear sight.

By the "Mfour-22 Pistol" version the front sight is mounted directly on the handle, and the elevation adjustment can be made simply by screwing or unscrewing the sight.



DOWN



UP

SHOOTING/FIRING

Grasp firearm with one hand on forearm and other hand on grip with index finger resting along outside of trigger guard. Raise firearm and pull buttstock firmly into shoulder.

Aim at a safe target. Push the manual safety to the fire position. Squeeze the trigger slowly and maintain the pressure until the round is fired.

Your firearm loads immediately after firing.

You may continue to fire by pulling and fully releasing the trigger until the magazine is empty. If you wish to stop, release trigger, remove finger from trigger guard, and set safety selector to "SAFE" position. Remove cartridges as explained under section "Unloading"

If you decide not to fire after the hammer has been cocked or if you decide to suspend firing, keep the firearm pointed in a safe direction.

Remove your finger from within the trigger guard.

Place the manual safety in the "SAFE" position and remove the magazine.

Pull charging handle rearward to eject any remaining cartridge(s).

Make sure that the firearm is unloaded (magazine removed, chamber and barrel cleared)

You must be certain there is no cartridge in the chamber or obstructions in the barrel. Remember that any time you release the bolt while a magazine containing cartridges is in the firearm, you will have reloaded the firearm and it will be capable of firing.

Release the upper from the back removing the back locking pin, then pull the trigger while gently accompanying the hammer (in order not to blank fire)

Keep the firearm pointed in a safe direction when decocking. Failure to do this can result in serious injury or death.

UNLOADING

1. Point the muzzle in a safe direction.
2. Remove the magazine.
3. Ensure that the chamber is empty by pulling back the charging handle to visually inspect the chamber (fig. 9). Keep firearm pointed in a safe direction.
4. Retract the charging handle so that the bolt moves into battery.
5. Push the manual safety to the "fire" position
6. Squeeze trigger to decock the firearm. The firearm may now be carried safely.

Keep the firearm pointed in a safe direction when unloading. failure to do this can result in serious injury or death.

Remember to always unload the magazines: they should NEVER be left loaded for any length of time.

Warning: If your firearm gives any indication that it is not performing properly or the operation of your firearm has changed "the way it feels or sounds", stop firing. Make sure the firearm is pointed in a safe direction, unload the firearm and have it inspected and test fired by a qualified gunsmith.

1. If a cartridge fails to fire, wait 30 seconds while keeping the muzzle pointed in a safe direction. Keep your finger off the trigger and out of the trigger guard.
2. Place the manual safety in the "SAFE" position
3. Remove the magazine.
4. Grasp the bolt with the charging handle and briskly pull it fully rearward to eject the misfired round.
5. Check the barrel chamber and bore visually for any obstructions. Never look down the barrel from the muzzle end. You must be certain there are no cartridges in the chamber or obstructions in the barrel.

Remember that any time you release the bolt while a magazine containing cartridges is in the firearm, you will have reloaded the firearm and it will be capable of firing.

Note: the forward assist plunger is not in function. In case of feeding failures, retract the charging handle to extract the damaged round.

Warning: Never try to use a misfired cartridge again.

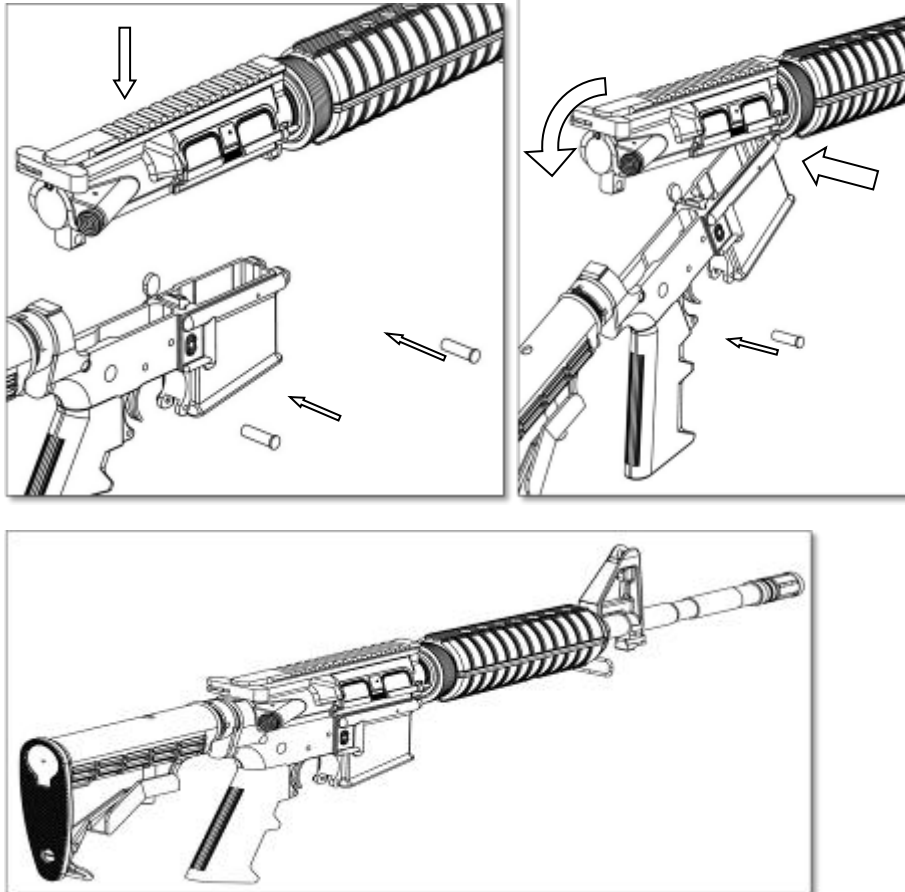
ASSEMBLY

Disassemble the upper part of your weapon pushing the two pins (manually or with the special key). Remove the original charger.

Mount our M4-22 conversion kit leaning it on the front thrust bridge first, fix the front blocking pin, then lean the upper onto the lower part. Please make sure the hammer is cocked, or the upper cannot be pushed down onto the lower part. Insert the back locking pin.

Mount the charger simply pushing it in place till you hear a click.

UPPER RECEIVER M4-22



NOTE : there are several “M16” models on sale, which have a different front and rear pin. You can use the special adaptors supplied by all major parts suppliers.

Make sure that the breech bolt is completely inside its housing and does not protrude. The bolt must also be pushed down completely, with the openings into the corresponding notches.

DO NOT BLANK SHOOT

DISASSEMBLY (FIELD STRIPPING)

Always follow the disassembly instructions exactly. Never do anything beyond what you are specifically instructed to do in this manual. Never alter or modify the parts in your firearm.

Prior to disassembly, place the manual safety in the safe position, take out the magazine and check that the firearm is not loaded.

Remove the charger pushing the charger button.

Push the rear receiver pin out of the gun to the right. Do not use excessive force. Push the front receiver pin and disassemble the upper part pushing it upwards.

CLEANING

Attention: Careful and detailed cleaning of this firearm is essential to guarantee its safety and proper function.

This product should be cleaned after every use and when exposed to dirt, sand, etc. When not in use, clean at least twice per year. A careful and scrupulous ordinary clearing of the firearms is essential to guarantee its safety and long life. We recommend to clean the weapon at least after shooting 200 to 300 shots.

- Every time you use your gun it is advised to clean it in order to remove all corroding agents (humidity, powder or lead residues etc.) which can in time alter a few parts.
- In order to perform a standard clearing, it is sufficient to utilize a good solvent, cleaning oil, a little brush.
- For a deeper cleaning, please turn to your local gunsmith

Warning: always run the cleaning rods from the chamber end

- Verify gun is ON SAFE.
- Remove charger and clean the retaining lips
- Visually inspect to verify that no ammo remains anywhere in the rifle.
- Remove receiver pins and disassemble the lower and upper parts.
- Thoroughly clean the bolt assembly area with a brush and cloth.
- Remove the sliding block and clean the ejector, breech block, bolt, battery (inside) and barrel breech.
- Clean the barrel with bore solvent utilizing a flexible cleaning rod inserted through breech end of barrel (where bullet seats). Dry the barrel with cleaning patches; always begin at the chamber. Repeat until barrel is clean.
- Apply a thin coat of oil to all metal parts.
- Reassemble firearm and check for proper function.

ORDINARY & EXTRAORDINARY MAINTENANCE

- Before any sort of maintenance, make sure the firearm is unloaded.
- By “ordinary maintenance” we refer to measures the user should take to keep the gun in good working conditions.
- An “Extraordinary maintenance” implies the replacement of broken parts and therefore disassembling the gun. In this case only authorized personnel or a qualified gunsmith should operate.
- Also a long period of heavy use or inactivity requires an extraordinary maintenance; your gun should be taken to a qualified gunsmith to have the action disassembled for professional cleaning and lubrication.
- Your gunsmith will advise the best lubricant for the good maintenance of your revolver.
- Do not leave oil residues when cleaning and lubricating your firearm.
- Make sure that the mechanism of the weapon is easy; if it starts to stiffen, or if corrosion is starting on some essential parts, you should bring your gun to competent, professional personnel.
- Do not use pure silicon or lanolin.
- In the following pages you will find exploded views with a list of all parts
- When ordering parts, it's important to specify date of purchase, serial number, model, caliber and item reference of the part/s needed.
- If the gun has a problem that you cannot fix, DO NOT FIRE it but send it to an authorized center for a check-up. If you try to fix it personally, you may put in serious danger yourself and the people near you.
- Always pay great attention and handle the gun very carefully, in order to avoid terrible accidents which may change your life and that of others.

VERY IMPORTANT:

NEVER LEAVE MAGAZINES LOADED FOR ANY LENGTH OF TIME!

If you leave the magazine loaded, it may deteriorate and become useless.

The spring will wear, the lips may be damaged, and the frame of the magazine may swell causing the assembly and disassembly extremely difficult.

Unloading the magazine immediately after using the gun is a practice of safety and good maintenance.

TROUBLESHOOTING TIPS

PROBLEM	CAUSE	SOLUTION
Last Round Bolt Stop Failure	Bolt travel not sufficient	Use ammunition slightly faster, remember the gun is tuned to shoot ammo 325 m/sec
	Too high velocity in recoil	Use ammunition slightly less powerful, too much velocity may compromise the correct functioning of the bolt stop
	Dirt / Debris in Action	If you have been shooting for a while or using ammunition with excessive fouling, it may be necessary to clean the firearm.
The bolt doesn't cycle correctly or is stuck	Not enough pressure to cycle	Use Higher Velocity Ammo, remember the gun is tuned to shoot ammo 1050 fps (325 m/sec) or greater.
	Dirt / Debris in Action – in breech cycle	Disassemble, clean carefully and oil the upper
	Ammunition too short or too long for chamber.	Check the ammunition / Consider different types of ammunition
Fail to Fire (DNF)	Bolt not completely closed	Carefully clean the breech bolt and barrel & chamber area
	Ammunition with rim out of tolerance	Change type or brand of ammunition
	Weak hammer spring	Contact our service center
	Firing pin damaged or broken	Contact our service center to obtain a new firing pin
Failure to Extract Empty Shell	Dirty chamber	Clean cartridge chamber with cleaning brush
	Damaged Chamber	Contact a professional gunsmith to polish the chamber
	Damaged Extractor	Contact our service center to obtain a new extractor
	Weak Extractor Spring	Contact our service center to obtain a new extractor spring
The empty shell does not eject (stove pipe)	Ammunition with rim out of tolerance	Change type or brand of ammunition
	Not enough pressure to cycle	Use Higher Velocity Ammo, remember the gun is tuned to shoot ammo 1050 fps (325 m/sec) or greater.
The bolt stays completely open	Damaged ejector	Replace magazine
	Dirty chamber	Clean cartridge chamber with cleaning brush
	Damaged chamber	Contact a professional gunsmith to polish the chamber
	Damaged extractor	Contact our service center to obtain a new extractor
	Weak extractor spring	Contact our service center to obtain a new extractor spring
	Dirt / Debris in Action	Disassemble and carefully clean the gun
	Weak recoil spring	Contact our service center to obtain a new spring.
Ammunition does not chamber	Incorrect Ammunition	Check the ammunition and change type if necessary
Magazine is stuck	Dirt / Debris in action or chamber	Disassemble and carefully clean the gun
	Magazine not properly seated	Check the magazine for correct fit and operation.
	Bullet crimp / design	Check the ammunition and change type if necessary
	Dirt / Debris buildup	Clean the magazine thoroughly
	Ammunition is too long	Change type of ammunition
The gun fires with safety "On"	Mechanical Issue	Do not attempt to use the gun, contact our service center immediately to arrange shipment of the gun
The gun shoots low	Rear sight needs adjustment	Lift the rear sight to raise the point of impact or vice versa to lower it.
Shooting left or right (Windage)	Rear sight needs adjustment	Move the rear sight the opposite direction of error (If POI "Point of Impact" is left of center, move the rear sight to the right)

WARRANTY CONDITIONS

The manufacturer guarantees that our products are scrupulously checked against defects in materials, workmanship and aesthetical and functioning problems.

In case you find a defect in one of our products, you should immediately contact the DEALER/SHOP/GUNSMITH where you have bought your gun. The seller will indicate the conditions for the repair, which will be either made directly by them or through our assistance.

ATTENTION: end users are not allowed to ship any gun directly to the manufacturer for repair, either under guarantee or against payment. Transportation of weapons is strictly regulated and the documents which are required can solely be issued by companies with specific authorization.

1. The manufacturer guarantees, for a year after the purchase date, the free substitution of parts for defects which have been found out during use: wear of parts which shouldn't be subject to wear, or excessive wear of parts subject to wear. The customer will have to give evidence of the purchase date with a bill or other valid proof.
2. In case the defect under cover of guarantee is not repairable, The manufacturer will provide for a free substitution of the weapon.

THE MANUFACTURER RESERVES THE RIGHT OF DEFINING THE TYPE OF DEFECT OF THE FIREARM, AND THEREFORE TO STATE WHETHER THE DEFECT IS COVERED BY GUARANTEE

The manufacturer's decision will be fair but final.

The manufacturer will be allowed a timing of 60 days for repair under guarantee, and 90 days for free substitution.

We strongly recommend that you keep the receipt or proof of purchase for any The manufacturer product

Should the manufacturer become aware of a defect of a product during the guarantee period, the defective part will be replaced free of charge.

The guarantee does not cover parts subject to wear and corrosion

ATTENTION: delivery expenses to and from the service center are not covered by the guarantee and will be charged to the customer.

THE GUARANTEE IS VOID IN CASE:

- Inadequate ammunition has been used (any ammunition but those commonly on sale, reloaded ammunition, different from caliber and specification indicated on the firearm barrel)
- The firearm failed to be provided proper maintenance and cleaning
- The firearm has been modified without our prior consent
- Unauthorized, inadequate or incorrect repairs have been carried out
- Non original spare parts were used
- Parts subject to wear and corrosion
- Damage (improper use of the gun by the user)
- Expired guarantee

In the above cases the repair, if carried out, will be charged to the customer

In case, for any valid reason, you do not have the possibility to obtain repair under guarantee at the shop where you bought the firearm, you may contact us directly; we will indicate a local dealer to support you with the repair file:

USA - Phone: +1-937-835-5000

CANADA (Murray Charlton) – Phone +1-778.426.3884

e-mail: murray.mdcent@gmail.com

REST OF THE WORLD - Phone: +39/030/9749065

e-mail: info@chiappafirearms.com

**This instruction manual must always follow the firearm,
also in case of change of ownership**

Procedure for the use of warranty

REGISTER your firearm in the proper section of our website:
<http://www.chiappafirearms.com/registration>

CONTACT the gunshop where the product was bought, or the Chiappa Firearms facility for USA, Canada or Rest of the World as indicated above. You will receive an NDR number and the instructions to return the gun.

FILL IN the attached form, which will accompany the return firearm. Don't forget to include the NDR number, a description of the defect and a copy of the proof of the purchase indicating the purchase date.

SHIP the weapon to the gun shop (or to the service center) in its original packing, according to the instructions you have received.

ATTENTION: the returned firearm must be protected with adequate packaging; any damages occurred during transportation and handling will be the customer's responsibility

REPAIR UNDER GUARANTEE

NdR NDR : _____

**Please write in the above box
the Repair Authorization Number**

1. Customer data:

- Name: _____
- Address : _____
- Town : _____
- ZIP Code : _____
- Phone : _____ Available from ____ to ____
- Fax : _____
- Email address: _____

2. Product information:

- Model : _____
- Serial number : _____

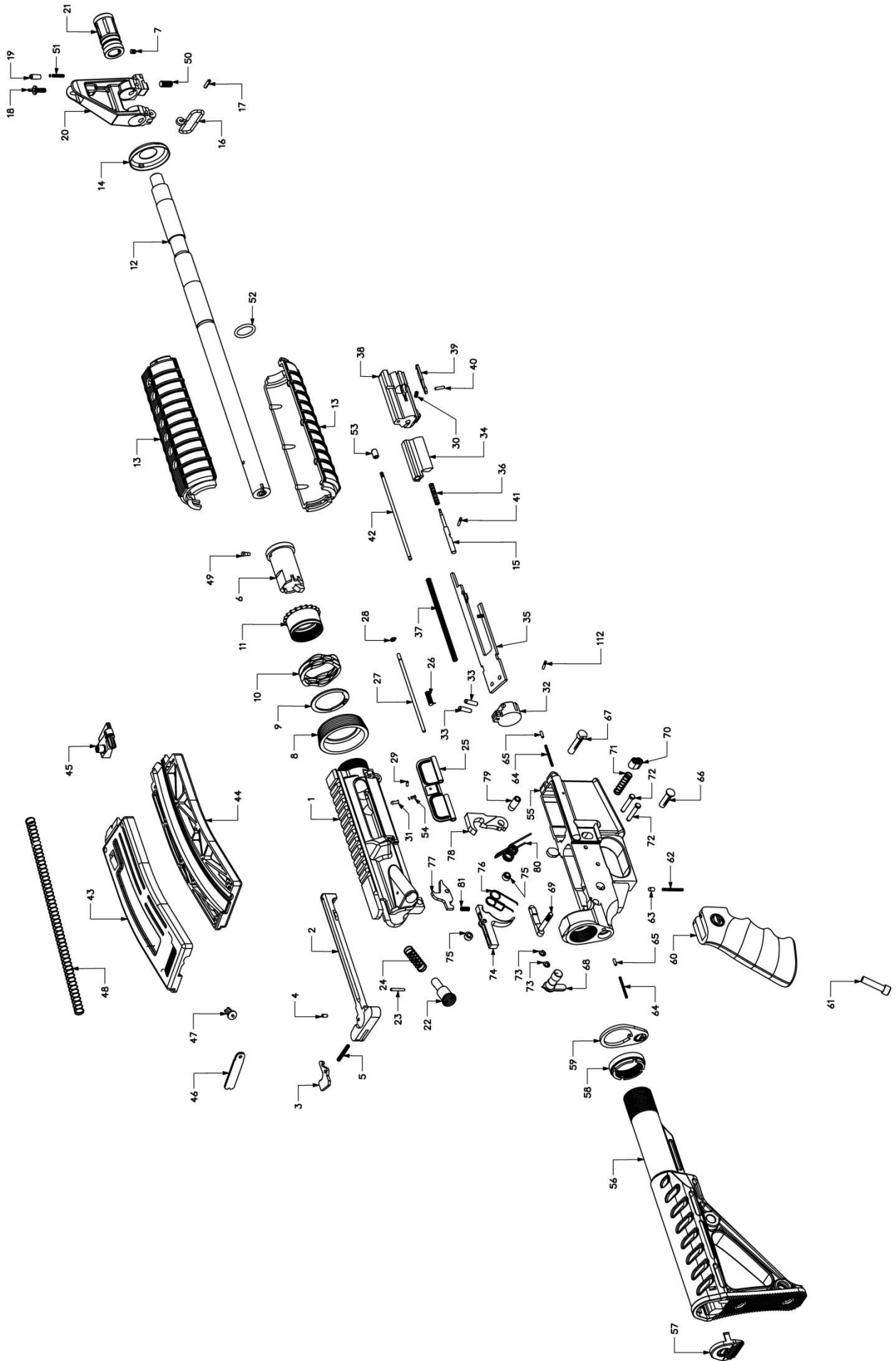
3. Gun Shop - dealer:

- Purchase date : _____
- Dealer name : _____
- Dealer address: _____

4. Description of defect:

Documents to attach: Proof of purchase with date

Mfour Standard Exploded View & Parts list



M4 UPPER PARTS LIST

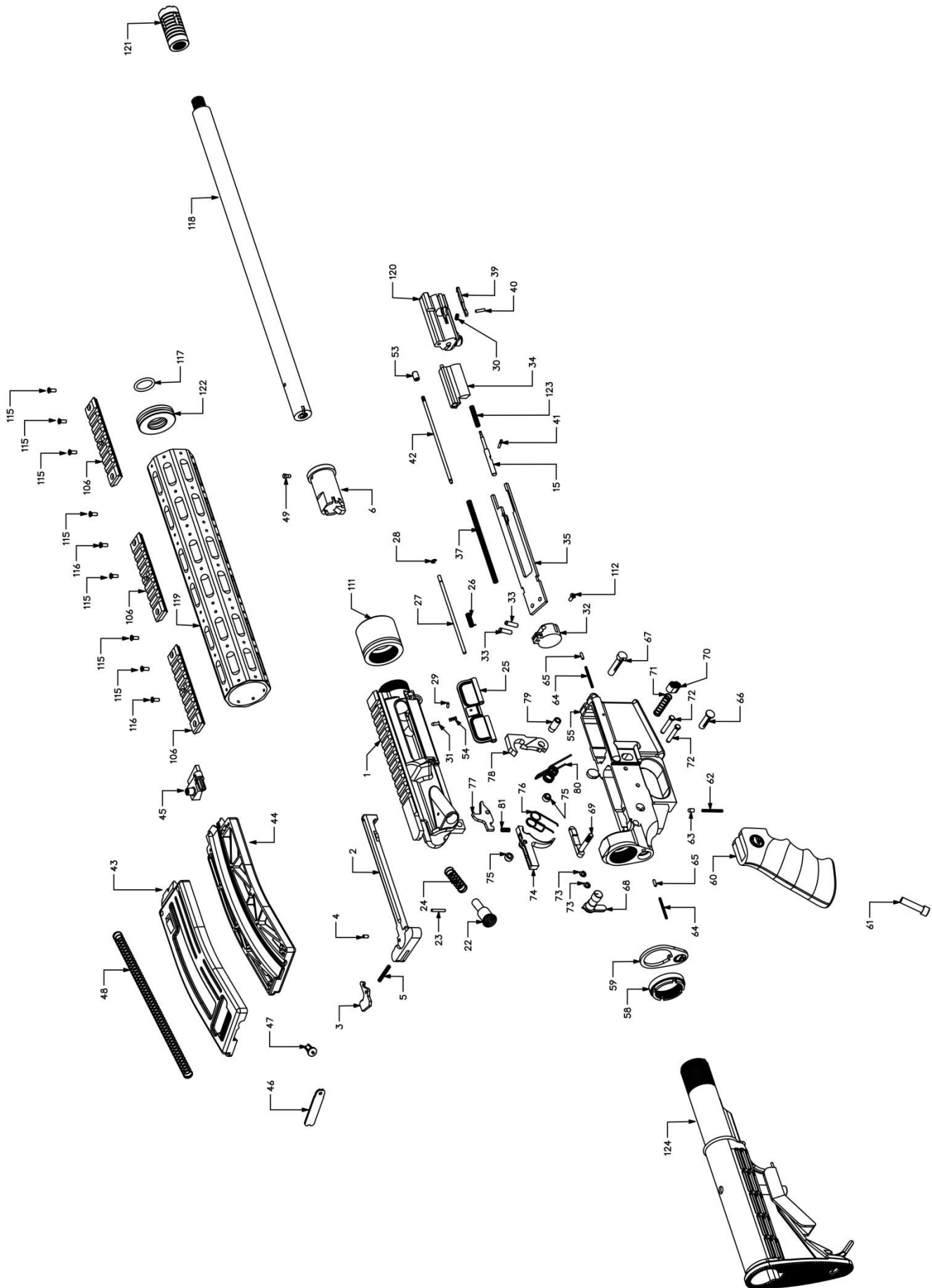
REF.	CODE	DESCRIPTION	Standard	PRO	REF.	CODE	DESCRIPTION	Standard	PRO
1	750.104	UPPER frame for M4-22 MilSpec Upper	1	1	35	760.131	Bolt guide bar	1	1
2	740.310	CHARGING HANDLE Mfour-22	1	1	36	720.068	Spiral spring 4,6x19x0,70	1	1
3	760.129	CHARGING HANDLE LATCH M4	1	1	37	720.113	Spiral spring 5x104x0,6	1	1
4	130.093	Coiled spring pin 3x6	1	1	38	740.314	Bolt M4-22	1	1
5	720.031	Spiral spring 3,4x25x0,4	1	1	39	760.128	Extractor M4-22	1	1
6	740.311	Barrel extension M4	1	1	40	130.090	Coiled spring pin 2.5x10	1	1
7	104.000	Allen set screw M4X6 flat point	1	1	41	730.846	Firing pin pivot M4-22	1	1
8	750.107	Delta ring M4	1	1	42	730.828	Bolt spring rod M4-22	1	1
9	140.016	Snap ring dia. 35	1	1	43	750.108	Magazine right half M4-22	1	1
10	270.052	Weld spring M4	1	1	44	750.109	Magazine left half M4-22	1	1
11	740.312	Barrel nut M4	1	1	45	750.102	Magazine follower M4-22	1	1
12	710.283	Barrel liner 16" black	1	1	46	750.103	Magazine floor plate M4-22	1	1
13	750.106	Hand guard M4	2	1	47	750.110	Mag floor plate pin M4-22	1	1
14	760.130	Hand guard cap M4	1	1	48	720.114	Magazine spring 9,8X275X0,6 M4-22	1	1
15	730.829	Firing pin M4	1	1	49	730.862	Barrel - receiver holding pin M4-22	1	1
16	721.134	Front sling swivel M4-22	1	1	50	104.017	ALLEN SCREW M4X12	1	1
17	130.091	Coiled spring pin 3x12	1	1	51	720.107	Spiral spring 2.9x16x0.4	1	1
18	730.833	M4-22 Front sight	1	1	52	160.014	OR 2.62X17.13	1	1
19	730.832	Front sight detent pin M4-22	1	1	53	730.836	Forend head M4-22	1	1
20	740.313	Font sight M4-22	1	1	54	720.009	Spiral spring 3x7.5x0.3	1	1
21	730.834	Flash hider M4-22	1	1	106	750.147	Picatinny mfour-22	1	8/12
22	750.105	Forward assist plunger M4-22	1	1	111	730.916	Nut for forend - Mfour	1	1
23	130.092	Coiled spring pin 2.5x16	1	1	112	130.005	ROLL 2X9,8	1	1
24	720.115	Spiral spring 10x35x0.6	1	1	115	101.006	Self-threading TSP torx screw M3x8	1	20/28
25	740.309	Ejection port cover M4-22	1	1	116	101.007	Self-threading TSP torx screw M3x12	1	4/8
26	721.133	Ejection port cover spring M4-22	1	1	117	160.029	O-Ring 3.53x19	1	1
27	730.830	Ejection port cover pin M4-22	1	1	118	710.334	Barrel M4-22 black parker.16", PRO serie	1	1
28	140.001	Snap ring 2,3 shaft 3	1	1	119	730.995	Hand Guard Mfour PRO - 7.8"	1	1
29	130.007	Roller 2x7,8	1	1	119	730.996	Hand Guard Mfour PRO - 11.8"	1	1
30	720.060	Spiral spring 3,3x7x0,4	1	1	120	731.001	Bolt M4 PRO-SERIES	1	1
31	730.831	Ejection port cover latch M4-22	1	1	121	731.003	Muzzle brake M4-22 PRO-SERIES	1	1
32	740.308	Bolt block M4-22	1	1	122	731.005	Middle nut for Mfour forend	1	1
33	130.014	Coiled spring pin light duty 4x16	2	2	123	720.000	Spiral spring 3,8x41x0,3	1	1
34	770.488	Bolt spring balancing guide M4-22	1	1				1	1

M-four Carbine PARTS LIST (LOWER)

CODE	DESCRIPTION	Black		Tan		REF.	CODE	DESCRIPTION	Black		Tan		REF.
		1	1	1	1				2	2	1	1	
750.142	UPPER frame for Mfour-22 carbine+pistol	1	1	1	1	1	730.897	TRIGGER SLEEVE	2	2	2	2	75
750.120	LOWER MFOUR-22	1	1	1	1	55	721.141	TRIGGER SPRING	1	1	1	1	76
750.121	STOCK MFOUR-22	1				56	760.139	PAWL	1	1	1	1	77
750.121T	Stock mfour-22 TAN		1			56	770.512	HAMMER FOR MFOUR CARBINE	1	1	1	1	78
750.122	STOCK PLUG	1				57	730.896	HAMMER BUSH	1	1	1	1	79
750.122T	Stock plate mfour-22 TAN		1			57	721.142	HAMMER SPRING	1	1	1	1	80
750.137	STOCK RING NUT	1	1	1	1	58	720.007	Spiral spring 4X9X0,4	1	1	1	1	81
750.139	TUBE LOCK	1	1	1	1	59	750.126	HANDLE BASE	1	1	1	1	82
750.123	GRIP	1				60	730.894	SIDE BOLT	2	2	2	2	83
750.123T	Stock grip mfour-22 TAN		1			60	750.131	THUMB KNOB	2	2	2	2	84
100.005	ALLEN KEY 1/4"	1	1	1	1	61	750.135	CLAMPING BAR	2	2	2	2	85
720.118	SAFETY CLICK SPRING	1	1	1	1	62	750.133	ELEVATION KNOB - UPPER PART	1	1	1	1	86
730.902	SAFETY PIN	1	1	1	1	63	750.132	ELEVATION KNOB - LOWER PART	1	1	1	1	87
720.117	CLICK SPRING FOR LOWER/UPPER	2	2	2	2	64	130.001	Coiled spring pin light duty 1,5x8	1	1	1	1	88
730.898	CLICK SPRING HINGE FOR LOWER/UPPER	2	2	2	2	65	130.096	PIN 2X16	1	1	1	1	89
730.901	REAR FIXING PIN	1	1	1	1	66	750.128	REAR SIGHT	1	1	1	1	90
730.900	FRONT FIXING PIN	1	1	1	1	67	730.892	WINDAGE SCREW	1	1	1	1	91
750.136	SAFETY LEVER	1	1	1	1	68	750.134	LEAF	1	1	1	1	92
750.140	MAGAZINE CATCH	1	1	1	1	69	721.140	mfour diopter special blade spring	1	1	1	1	93
750.138	MAGAZINE BUTTON	1	1	1	1	70	720.008	Spiral spring 2.7x10x0.3	1	1	1	1	94
720.119	MAGAZINE BUTTON SPRING	1	1	1	1	71	130.008	Sphere dia.3	2	2	2	2	95
730.899	HAMMER TRIGGER SPRING	2	2	2	2	72	750.130	REAR SIGHT KNOB	1	1	1	1	97
140.017	SEEGER D4	3	3	3	3	73	104.019	Grub nut M4x3	1	1	1	1	99
770.513	TRIGGER	1	1	1	1	74	130.005	ROLL 2X9,8	1	1	1	1	112

PARTS 2 TO 62 : SEE UPPER PARTS LIST

Mfour "PRO" Exploded View & Parts list



Mfour PRO and PISTOL PARTS LIST

CODE	DESCRIPTION	Mfour PRO	PISTOL	REF	CODE	DESCRIPTION	Mfour PRO	PISTOL	REF
750.142	UPPER frame for Mfour-22 carbine+pistol	1	1	1	760.128	Extractor M4-22	1	1	39
740.310	CHARGING HANDLE Mfour-22	1	1	2	130.090	Coiled spring pin 2.5x10	1	1	40
760.129	CHARGING HANDLE LATCH M4	1	1	3	730.846	Firing pin pivot M4-22	1	1	41
130.093	Coiled spring pin 3x6	1	1	4	730.828	Bolt spring rod M4-22	1	1	42
720.031	Spiral spring 3,4x25x0,4	1	1	5	750.108	Magazine right half M4-22	1	1	43
740.311	Barrel extension M4	1	1	6	750.109	Magazine left half M4-22	1	1	44
104.000	Allen set screw M4X6 flat point			7	750.102	Magazine follower M4-22	1	1	45
730.829	Firing pin M4	1	1	15	750.103	Magazine floor plate M4-22	1	1	46
730.834	Flash hider M4-22			21	750.110	Mag floor plate pin M4-22	1	1	47
750.105	Forward assist plunger M4-22	1	1	22	720.114	Magazine spring 9,8X275X0,6 M4-22	1	1	48
130.092	Coiled spring pin 2.5x16	1	1	23	730.862	Barrel - receiver holding pin M4-22		1	49
720.115	Spiral spring 10x35x0.6	1	1	24	720.107	Spiral spring 2.9x16x0.4		1	51
740.309	Ejection port cover M4-22	1	1	25	730.836	Forend head M4-22	1	1	53
721.133	Ejection port cover spring M4-22	1	1	26	720.009	Spiral spring 3x7.5x0.3	1	2	54
730.830	Ejection port cover pin M4-22	1	1	27	750.120	LOWER MFOUR-22	1	1	55
140.001	Snap ring 2,3 shaft 3	1	1	28	750.123	GRIP	1	1	60
130.007	Roller 2x7,8	1	1	29	100.005	ALLEN KEY 1/4"	1	1	61
720.060	Spiral spring 3,3x7x0,4	1	1	30	720.118	SAFETY CLICK SPRING	1	1	62
730.831	Ejection port cover latch M4-22	1	1	31	730.902	SAFETY PIN	1	1	63
740.308	Bolt block M4-22	1	1	32	720.117	CLICK SPRING FOR LOWER/UPPER	2	2	64
130.014	Coiled spring pin light duty 4x16	2	2	33	730.898	CLICK SPRING HINGE FOR LOWER/UPPER	2	2	65
770.488	Bolt spring balancing guide M4-22	1		34	730.901	REAR FIXING PIN	1	1	66
760.131	Bolt guide bar	1	1	35	730.900	FRONT FIXING PIN	1	1	67
720.068	Spiral spring 4,6x19x0,70			36	750.136	SAFETY LEVER	1	1	68
720.113	Spiral spring 5x104x0,6	1	1	37	750.140	MAGAZINE CATCH	1	1	69
740.314	Bolt M4-22		1	38					

Mfour PRO and PISTOL PARTS LIST

<u>CODE</u>	<u>DESCRIPTION</u>	<u>Mfour PRO</u>	<u>PISTOL</u>	<u>QTY</u>	<u>CODE</u>	<u>DESCRIPTION</u>	<u>Mfour PRO</u>	<u>PISTOL</u>	<u>QTY</u>
750.138	MAGAZINE BUTTON	1	1	70	130.008	Sphere dia.3		2	95
720.119	MAGAZINE BUTTON SPRING	1	1	71	750.130	REAR SIGHT KNOB		1	97
730.899	HAMMER TRIGGER SPRING	2	2	72	104.019	Grub nut M4x3		1	99
140.017	SEEGER D4	2	3	73	730.913	Front sight Mfour-22 PISTOL		1	100
770.513	TRIGGER	1	1	74	720.013	Spiral spring 5.2x10x0.4		1	101
730.897	TRIGGER SLEEVE	2	2	75	750.143	PLUG FOR M422 PISTOL		1	102
721.141	TRIGGER SPRING	1	1	76	710.301	.22 rifled tube 6" mfour		1	104
760.139	PAWL	1	1	77	730.915	Forend Mfour Pistol		1	105
770.512	HAMMER FOR MFOUR CARBINE	1	1	78	750.147	Picatinny mfour-22	8/12	4	106
730.896	HAMMER BUSH	1	1	79	730.918	Blowback tube MFOUR PISTOL		1	109
721.142	HAMMER SPRING	1	1	80	770.530	BOLT SPRING BALANCING GUIDE		1	110
720.007	Spiral spring 4X9X0,4	1	1	81	730.916	Nut for forend - Mfour	1	1	111
750.146	Handle base mfour-22 pistol		1	82	130.005	ROLL 2X9,8	1	1	112
730.894	SIDE BOLT		2	83	130.025	Pin 4x8		1	114
750.131	THUMB KNOB		2	84	101.006	Self-threading TSP torx screw M3x8	20/28	8	115
750.135	CLAMPING BAR		2	85	101.007	Self-threading TSP torx screw M3x12	4/8	4	116
750.133	ELEVATION KNOB - UPPER PART		1	86	160.029	O-Ring 3.53x19	1		117
750.132	ELEVATION KNOB - LOWER PART		1	87	710.334	Barrel M4-22 black parker.16", PRO serie	1		118
130.001	Coiled spring pin light duty 1,5x8		1	88	730.995	Hand Guard Mfour PRO - 7.8"	0/1		119
130.096	PIN 2X16		1	89	730.996	Hand Guard Mfour PRO - 11.8"	1/0		119
750.128	REAR SIGHT		1	90	731.001	Bolt M4 PRO-SERIES	1		120
730.892	WINDAGE SCREW		1	91	731.003	Muzzle brake M4-22 PRO-SERIES	1		121
750.148	Leaf dioptre/handle mfour-22 PISTOL		1	92	731.005	Middle nut for Mfour forend	1/0		122
721.140	mfour diopter special blade spring		1	93	720.000	Spiral spring 3,8x41x0,3	1		123
720.008	Spiral spring 2.7x10x0.3		1	94	750.229	6-POS Collapsible stock mfour-22 PRO	1/0		124



www.chiappafirearms.com

Brescia, Italy   Dayton, OH

Via Milano, 2 • 25020 Azzano Mella • Brescia, Italy • +39.030.97.49.065

1415 Stanley Ave • Dayton, OH • USA • +1.937.835.5000

info@chiappafirearms.com