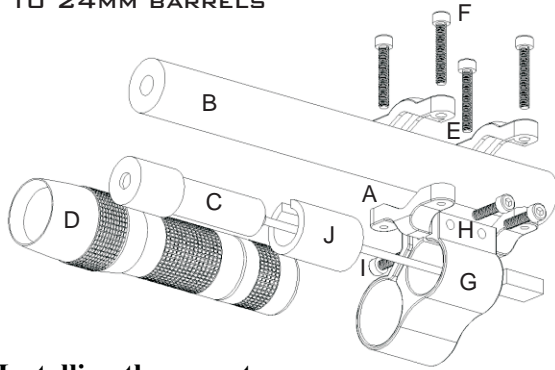


MT61178 BARREL MOUNT FOR ONE 1" LIGHT/LASER AND ONE 7/8" LIGHT/LASER. FITS 12MM TO 24MM BARRELS



MT61178 LIGHT AND LASER BARREL MOUNT

MT61178 WILL FIT ONE 1" LIGHT/LASER AND ONE 7/8" LIGHT/LASER AT THE SAME TIME. FITS 12MM TO 24MM BARRELS

Installing the mount

1. Hold the I piece (A) of the mount on the bottom of the barrel (B) where you want to mount the laser sight (C) and flashlight (D).
2. Place the two short pieces (E) of the mount above the I piece (A) and screw the top pieces (E) to the I piece (A) with the appropriate length screws (F) for your barrel.
3. Insert the 7/8" laser sight (C) and 1" flashlight (D) into the main mounting piece (G) as shown. The laser sight and flashlight can be facing either direction depending on which side you want the flashlight to be on when mounted to the barrel.
4. Place the main mounting piece (G) onto the I piece (A) on the bottom of the barrel and line up the screw holes.
5. Screw in the side of the mount with two holes (H) first, then screw in the other side (I).

Removing the flashlight

1. Unscrew only the flashlight side of the mount (I) that has only one screw.
2. When unscrewed, the flashlight can be removed without affecting the aiming of the laser sight.

Removing the laser sight

1. Unscrew the two screws on the mount on the laser sight side of the mount (H).
2. The laser sight can be removed and replaced later without affecting the aiming of the laser sight by lining up the lines on the mount (G) and laser sight.