



KEL-TEC P-3AT PISTOL

KEL-TEC CNC INDUSTRIES INC.

**1475 COX ROAD
COCOA FL 32926
321-631-0068
www.kel-tec.com**

"THE USE OF A LOCKING DEVICE OR SAFETY LOCK IS ONLY ONE ASPECT OF RESPONSIBLE FIREARM STORAGE. FIREARMS SHOULD BE STORED UNLOADED AND LOCKED IN A LOCATION THAT IS BOTH SEPARATE FROM THEIR AMMUNITION AND INACCESSIBLE TO CHILDREN AND OTHER UNAUTHORIZED PERSONS."



OWNED



MADE



PARTS ©



**SAFETY, INSTRUCTION,
AND PARTS MANUAL**

KEL-TEC P-3AT PISTOL SAFETY, INSTRUCTION, & PARTS MANUAL

STATEMENT OF LIABILITY

This pistol may be classified as a dangerous weapon and is surrendered by KEL-TEC CNC INDUSTRIES INC. with the understanding that the purchaser assumes all liability resulting from unsafe handling or any action that constitutes a violation of any applicable laws or regulations. Firearms can cause serious injury and death. Safety must be the prime consideration of anyone who handles firearms. Always treat a firearm as though it were loaded. Always keep the muzzle pointed in a safe direction.

In owning a firearm, you are responsible for the firearms's safety and security. Always secure firearms from children.

**READ THESE INSTRUCTIONS,
AND WARNINGS CAREFULLY,
BE SURE YOU UNDERSTAND
THESE INSTRUCTIONS AND WARNINGS
BEFORE USING THIS FIREARM.**

This SAFETY, INSTRUCTION, & PARTS MANUAL should always accompany this firearm and be transferred with it upon change of ownership or when the firearm is loaned or presented to another person. A copy of the SAFETY, INSTRUCTION, & PARTS MANUAL is available FREE upon request, or on our website at www.kel-tec.com.

REV:0705

SAFETY INSTRUCTIONS AND WARNINGS

READ AND CAREFULLY FOLLOW THESE WARNINGS AND INSTRUCTIONS.

These warnings and instructions are provided to assure the safe functioning of the handgun. Failure to heed them may result in improper functioning and serious injury.

KEL-TEC firearms are designed to function reliably with proper care and knowledgeable use. Do not use your firearm unless you fully understand these instructions, and the safe operation of your firearm.

Only safe gun-handling habits will ensure the safe use of your firearm. This is your responsibility. Accidents are the result of violating the rules of safe gun handling and common sense.

Before handling any firearm, understand its operation.

Always treat every gun as if it were loaded.

Never accept or pick-up a firearm without checking the magazine, and the chamber to assure the weapon is empty. Do not trust the extractor to clear the chamber, look and feel.

Always make sure the muzzle is pointed in a safe direction at all times. Never point a firearm at anyone or anything you do not intend to shoot.

Make sure your "audience" is always 5 or more feet in back of you, not next to you when firing.

Keep your firearm unloaded when not in use.

Never keep a loaded firearm in the home, car, boat, or RV.

Never store a firearm with a cartridge in the chamber.

Never store firearms and ammunition together, keep them locked up and away from children.

Never touch the trigger when working the slide.

Never alter any components of your firearm.

Always use only clean, dry original factory ammunition.

Never take medications, drugs, or alcohol when handling firearms.

Never load or unload a firearm without assuring the muzzle is pointed in a safe direction.

Never load a firearm except immediately before shooting.

SAFE GUN HANDLING IS YOUR RESPONSIBILITY

SAFETY INSTRUCTIONS AND WARNINGS

AMMUNITION: The P-3AT Pistol is designed and chambered for the **.380 Auto** cartridge. Do not use any other ammunition. The P-3AT will accept +P ammunition, however not with continuous use.

Only use commercially manufactured ammunition, clean, dry, and in good condition.

Never use nonstandard, reloaded or damaged cartridges.

Never use ammunition where the pressure levels exceed industry standards. KEL-TEC pistols are manufactured from high quality materials. They will provide extended service life. However, all warranties, expressed or implied, are voided and KEL-TEC will not be liable for property damage or personal injury and consequential damages, if faulty ammunition is used in KEL-TEC center fire pistols.

Never discharge a firearm without proper shooting glasses and hearing protection.

Never shoot at any water surface or any surface where a ricochet can occur.

Never shoot until you are sure of your backstop and what lies beyond it.

If the gun does not discharge after pulling the trigger, do not change its direction for at least 30 seconds, the round could be a "hangfire". If the gun sounds different or does not operate, unload and make sure the barrel is clear before continued firing.

Do not allow a firearm to be used by individuals who do not understand its safe operation and the rules of safe gun-handling.

Be sure all accessories, such as holsters and grips are compatible with the firearm and that the accessories do not interfere with safe operation.

When transporting your firearm, be sure your firearm is unloaded and that the action is open.

If you do not understand how to operate any of our products or have any questions about their safe handling, please write, call, or e-mail us.

Always be aware of other people so that they cannot accidentally walk into the line of fire. When firing on a target range, be alert and follow the range officer's commands. Never cross obstacles such as fences or streams with a loaded firearm.

INTRODUCTION

The P-3AT is a semi-automatic, locked breech pistol, chambered for the .380 Auto cartridge.

The firing mechanism is of double action only. The magazine has a 6 round capacity. The KEL-TEC P-3AT is the lightest .380 Auto pistol ever made. Thanks to its locking dynamics and superior ergonomics, perceived recoil and practical accuracy are comparable to much larger guns.

The P-3AT is mainly intended for police officers as a secondary weapon, or for concealed carry by licensed citizens. The small grip size and light trigger pull make the P-3AT ideal for female shooters.

From the very beginning of the design and development, computers have been used exclusively. All machined components are also made on modern high speed computerized equipment. Equally advanced quality control equipment and test procedures ensure a firearm with uncompromising quality in materials and workmanship.

CONSTRUCTION

The P-3AT has six main component groups: barrel, slide, frame, firing mechanism, grip, and magazine.

The barrel is made of SAE 4140 ordnance steel, heat treated to 48 HRC.

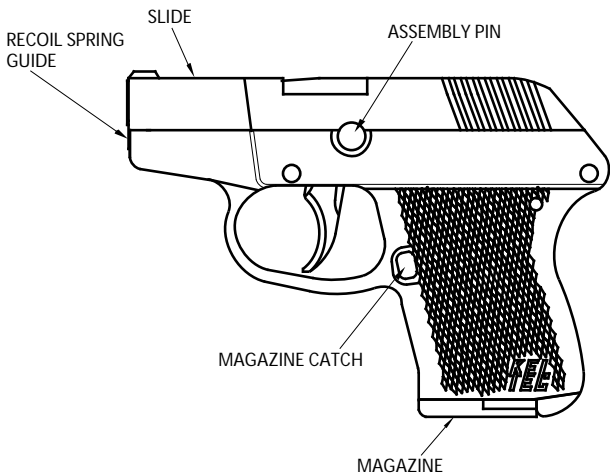
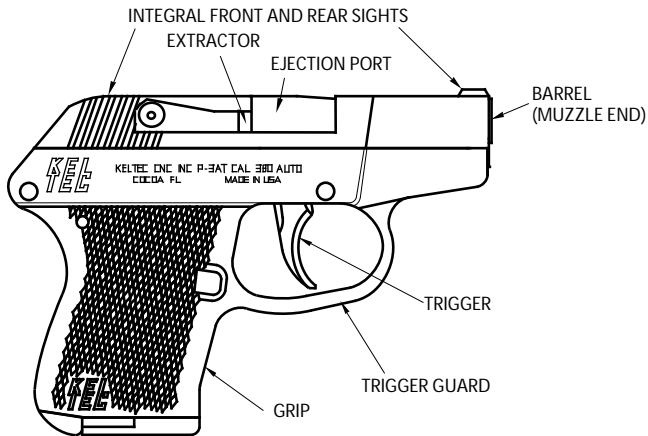
The slide is also 4140 steel, and contains the firing pin and the extractor.

The rectangular frame is machined from a solid 7075-T6 aluminum extrusion and houses the firing mechanism.

The trigger connects via a transfer bar to the hammer. The hammer is driven by a novel free floating extension spring. The light weight firing pin transmits the energy of the hammer to ignite the primer. After firing, the hammer block holds the hammer away from the firing pin, providing a mechanical safety. The functioning of the mechanism greatly surpasses all applicable SAAMI safety standards.

The grip is made of the ultra high impact polymer Dupont ST-8018. The grip also forms the magazine well and the trigger guard.

The P-3AT is normally supplied with a 6 round single column steel magazine.

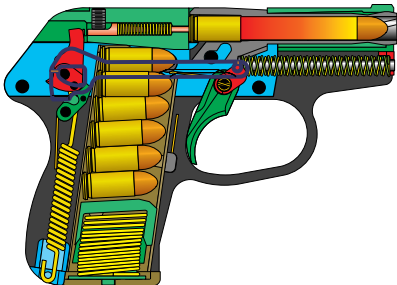


Functioning

When the P-3AT's trigger is pulled, the trigger axis is rotated forward together with the trigger bar which engages the hammer and then the hammer block. After about 85 degrees rotation, the trigger bar disengages, holding the hammer block forward of the hammer, which then rotates forward to strike the firing pin.



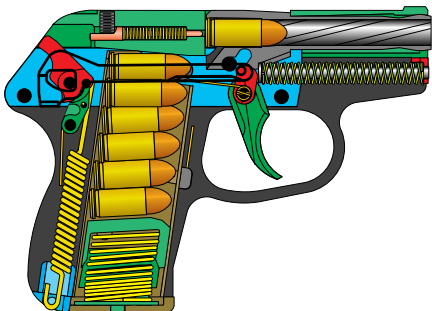
The ignited powder gas drives the bullet forward through the barrel and simultaneously drives the slide and barrel backwards. After about 1/4" (6 mm) the barrel is unlocked by the assembly pin and releases the slide to travel back extracting the case. On its way back, the slide is gradually slowed down by the recoil springs.



Close to the rear position, the empty case hits the ejector, and is thrown out of the gun. The recoil springs drive the slide forward again. The top cartridge in the magazine is picked up by the breech face and pushed into the barrel. Close to battery the barrel is cammed up, positively locking into the slide.



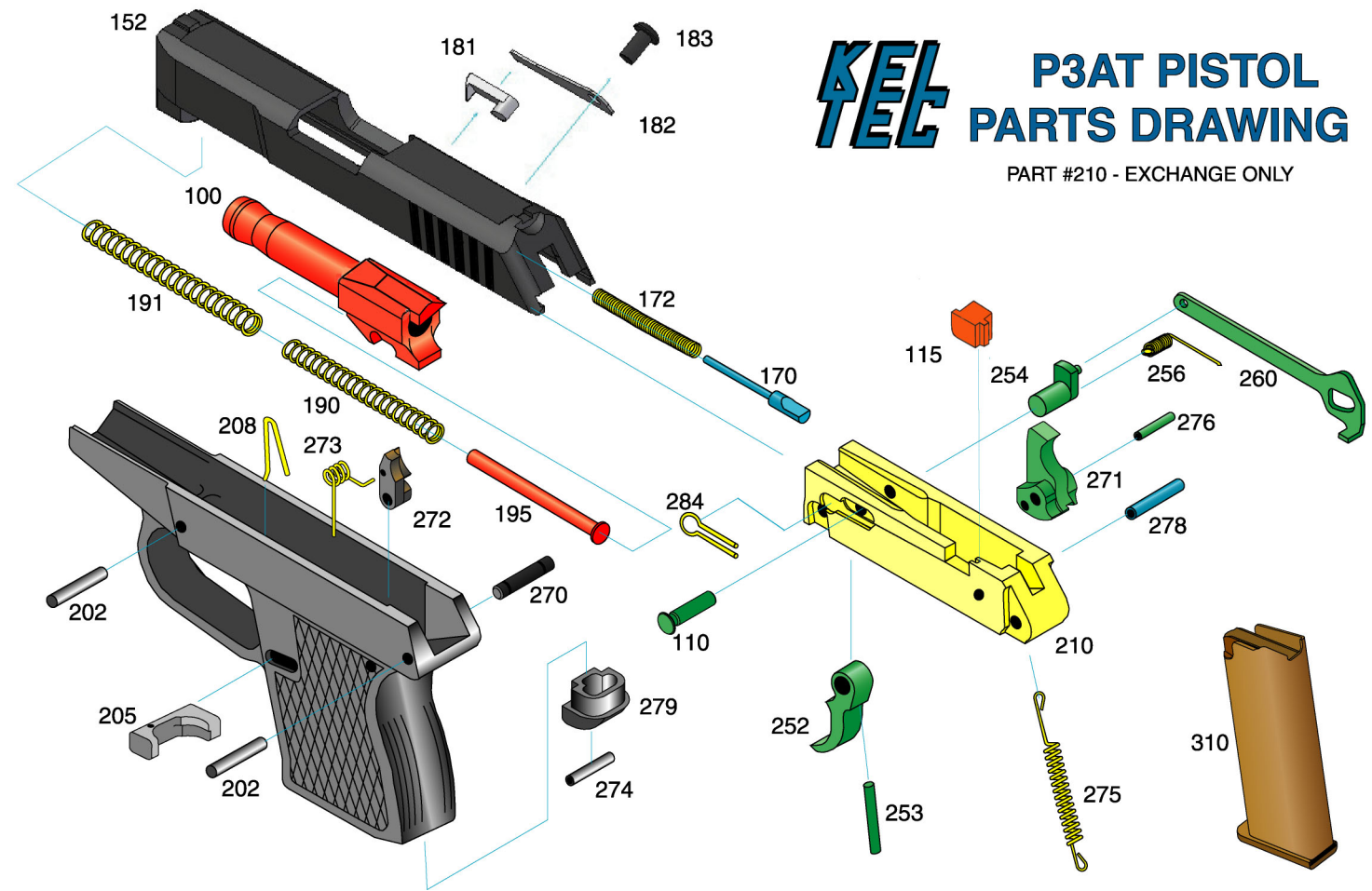
During the rear recoil motion, the hammer is disengaged and follows the slide acting like an extra recoil spring. As the slide moves forward, the hammer rotates with it until the hammer block reengages the hammer holding it away from the firing pin. When the trigger is released the trigger bar moves backwards and behind the hammer catch. The P-3AT is then ready for the next shot.





P3AT PISTOL PARTS DRAWING

PART #210 - EXCHANGE ONLY



100 BARREL
 110 ASSEMBLY PIN
 115 EJECTOR
 152 SLIDE
 170 FIRING PIN
 172 FIRING PIN SPRING

181 EXTRACTOR
 182 EXTRACTOR SPRING
 183 BUTTONHEAD
 190 RECOIL SPRING INSIDE
 191 RECOIL SPRING OUTSIDE
 195 RECOIL SPRING GUIDE

202 FRAME PIN (2)
 205 MAGAZINE CATCH
 208 MAG CATCH SPRING
 210 FRAME
 252 TRIGGER
 253 TRIGGER PIN
 254 TRIGGER AXIS

256 TRIGGER SPRING
 260 TRIGGER BAR
 270 HAMMER BLOCK AXIS
 271 HAMMER
 272 HAMMER BLOCK
 273 HAMMER BLOCK SPRING
 274 HAMMER SPRING PIN

275 HAMMER SPRING
 276 HAMMER PIN
 278 HAMMER AXIS
 279 HAMMER SPING CATCH
 284 ASSEMBLY PIN SPRING
 310 MAGAZINE

INSTRUCTION FOR USE

Loading

To load, fill the magazine by pressing a cartridge downward on the forward portion of the magazine follower (or downward on the case of the previously loaded cartridge) and sliding the cartridge fully under the lips of the magazine until the cartridge is all the way back in the magazine.

Repeat the steps above for the number of cartridges you wish to load, up to the magazine capacity. Do not attempt to load your magazine with more than the specified number of rounds because doing so can cause a feeding malfunction.

A firm tap on the back of the magazine to align the rounds is a good habit with any magazine.



Hold the pistol in one hand with the muzzle pointing in a safe direction and with your finger off the trigger and outside the trigger guard. Insert the loaded magazine into the grip until it is locked in place. Check to assure magazine is secure. Pull the slide back and release. This strips a round from the magazine and seats it in the barrel chamber. At all times keep your hands away from the muzzle.

If you wish to restore the magazine in your pistol to full capacity, press the magazine catch and remove the magazine to load the missing round. **Never load rounds directly into the chamber.** Remember to keep your pistol pointed in a safe direction under all conditions and always keep your finger off the trigger and outside the trigger guard.

INSTRUCTION FOR USE

Firing

With the muzzle pointed in a safe direction and your finger outside the trigger guard, take aim at a safe target, put finger inside trigger guard and squeeze trigger until round is fired. Release trigger and you are ready to fire another round. Upon firing, the slide moves rearward extracting and ejecting the fired round and returns to forward position, feeding another round. This sequence can be repeated until the last round has been fired. Hold the P-3AT pistol firmly when shooting. If the pistol is not held firmly, a misfeed could occur. This is referred to as the weak wrist condition.



Unloading

To unload the P-3AT remove the magazine and briskly pull the slide back to extract the round in the chamber. Do not obstruct the ejector port and keep fingers away from trigger and muzzle. Visually inspect the chamber to make sure it is empty. Push the remaining cartridges in the magazine forward and out.



SAFETY

To achieve highest operator safety, combined with ease of handling, the pistol is "DOUBLE ACTION ONLY". It has no manual safety and the hammer is never fully cocked.

The hammer is of a novel design. Compared to a conventional hammer, the pistol is very light and consequently, operates at high velocities. It is driven by a special free floating extension spring. Furthermore, the hammer's mass is concentrated around its axis giving an inertia in the critical direction of the firing pin close to zero.

In its ready position the hammer is securely held by the hammer block. Only by deliberately pulling the trigger can the hammer block be disengaged. The tilting action of the barrel excludes firing unless the breech is fully locked. A direct blow to the hammer is impossible, as it is enclosed by the slide and grip. The hammer's energy is transmitted to the primer through a low mass firing pin.

MALFUNCTIONING

Proper function of your P-3AT is directly related to maintenance and care, and to the ammunition you use. As with any firearm, a break-in period may be required (50-100 rounds). During this break-in period, some failure to feed and failure to eject or extract malfunctions may occur. Some of the more common types of malfunctions which may occur are as follows:

Misfire: Failure of the cartridge to ignite when the hammer falls. Keep the firearm pointed in a safe direction, wait 30 seconds, operate the slide manually and continue shooting.

Failure to Feed: This occurs when a cartridge has been fed from a magazine but not fully chambered. If this occurs, keep the firearm pointed in a safe direction, remove that cartridge, operate the slide manually and continue shooting. If necessary change the magazine. The most common causes are dirt or foreign objects impeding the magazine follower. Improperly crimped cartridges are another cause.

Failure to eject or extract: A fired case is not fully extracted from the chamber or ejected from the pistol. Again, keep the firearm pointed in a safe direction, clear the gun by operating the slide, remove the case and continue. If necessary change the magazine. The most common causes are a damaged extractor, ejector or ammunition. Improperly loaded or sized cartridges can cause this also. If any of the above problems are not solved by cleaning or by use of other brands of ammunition, stop firing, unload and return the pistol to our service department.

Disassembly

Unload your P-3AT. Pull the assembly pin from the pistol, making sure you keep pressure on the grip surrounding the assembly pin to prevent the assembly pin spring from dislodging. Push the barrel back. While holding the slide, slowly pull it forward off the frame. Remove the recoil spring, barrel, and ejector. No further disassembly is recommended. Do not rotate the firing pin screw, it is factory adjusted. CAUTION: Once the slide is removed, the Ejector (part #115) will easily fall out.



Assembly

Make certain that the barrel and recoil springs are well centered when putting them back in the slide. Insert the Ejector and push the slide onto the frame. While holding the slide back, allow the barrel to slide forward. Look into the assembly pin hole and align that hole with the cut in the barrel. Insert the assembly pin at a slight angle in order to push the assembly pin spring down, and then push the pin completely in. Work the slide a few times to check the action. Do not dry fire your P-3AT. As with any gun, dry firing should be avoided.



MAINTENANCE

Your pistol is a precision instrument and to insure reliable function, it is necessary to follow a routine maintenance procedure. After firing your pistol, be sure to unload it following the procedure outlined in the section entitled "Unloading" before any cleaning or maintenance procedure.

Your pistol should be cleaned by brushing the barrel bore and chamber with a good powder removing solvent and bore brush. Wipe the areas clean with patches or a swab. Using a small brush dipped in solvent, remove all deposits from around the breech of the barrel, chamber, extractor, and adjacent areas which have been subjected to the action of powder or primer residue. Remove any residue on the frame with light brushing and a solvent. After cleaning the entire gun, use cloth to apply a light coating of high quality gun oil to all external surfaces and wipe clean.

For a more detailed cleaning, the pistol should be disassembled as described in the section "Disassembly"

SERVICE

Should your pistol require adjustment, refinishing, or repair, it should be returned to the factory, unloaded.

In shipping the pistol, be sure to adhere to the following rules:

Individuals who wish to return the handgun for service can do so by shipping it prepaid to the address below. No return authorization number is required.

Include a letter of instruction, full name, address, telephone number, and the gun's serial number. This will insure prompt service and handling. Once your pistol has been received, anything other than warranty work will receive a quotation. You will be notified of full charges and no work will commence before receiving your approval of our quotation.

All quotations are payable by money orders, Visa, & MasterCard only. No COD's or personal checks will be accepted. Please return your Pistol to:

KEL-TEC CNC, INC
SERVICE DEPT.
1475 COX ROAD
COCOA, FL 32926

WARRANTY

This warranty is granted by Kel-Tec CNC Industries, Inc. , Cocoa, FL
This lifetime warranty is effective from the date of purchase and applies to the original owner of a Kel-Tec pistol.

Kel-Tec handguns are warranted to be free from defects in material and workmanship. Any such defects of which Kel-Tec receives written notice by the original owner, will be remedied by Kel-Tec without charge within a reasonable time after such notification and delivery of the handgun as provided below.

Warranty claims (in writing) and the gun concerned should be delivered(transportation charges prepaid) to:

Kel-Tec CNC Inc.
Service Dept.
1475 Cox Road
Cocoa, FL 32926

No return authorization number is required. In addition, a copy of a bill of sale in the owner's name, or a copy of ATF Form 4473, indicating date of purchase must be included.

In order to expedite service, warranty claims should state the model and serial number of the gun concerned and a description of the difficulty experienced. It is recommended that shipments be insured by the owner, since Kel-Tec will accept no responsibility for loss or damage in transit.

Transportation and insurance charges for return to owner will be paid by Kel-Tec if the claim is covered by the warranty.

Under no circumstances shall Kel-Tec be responsible for incidental or consequential damages with respect to economic loss or injury or property damage, whether as a result of breach of express or implied warranty, negligence or otherwise. Some states do not allow the exclusion or limitation or incidental or consequential damages, so the above limitation or exclusion may not apply to you.

Kel-Tec will not be responsible for defects resulting from careless handling, unauthorized adjustments or modifications, defective or improper ammunition, corrosion, neglect, abuse, ordinary wear and tear, or unreasonable use. Blued, parkerized and hard chrome finishes, are not covered under warranty for ordinary wear and tear. All warranties will be limited to repair and replacement ONLY.

PISTOL PARTS LIST (SEE ILLUSTRATION ON CENTERFOLD)

100 BARREL	252 TRIGGER
110 ASSEMBLY PIN	253 TRIGGER PIN
115 EJECTOR	254 TRIGGER AXIS
152 SLIDE	256 TRIGGER SPRING
170 FIRING PIN	260 TRIGGER BAR
172 FIRING PIN SPRING	270 HAMMER BLOCK AXIS
174 FIRING PIN SCREW	271 HAMMER
180 EXTRACTOR	272 HAMMER BLOCK
182 EXTRACTOR SPRING	273 HAMMER BLOCK SPRING
184 EXTRACTOR PIN	274 HAMMER SPRING PIN
190 RECOIL SPRING, INSIDE	275 HAMMER SPRING
191 RECOIL SPRING, OUTSIDE	276 HAMMER PIN
195 RECOIL SPRING GUIDE	278 HAMMER AXIS
202 FRAME PINS	279 HAMMER SPRING CATCH
205 MAGAZINE CATCH	284 ASSEMBLY SPRING
208 MAGAZINE CATCH SPRING	300 GRIP
210 FRAME(EXCHANGE ONLY)	310 MAGAZINE
	400 HARD CASE
	410 MANUAL(FREE)

These items are included with the purchase of the P-3AT pistol:

- 1-P-3AT Pistol
- 1-Magazine
- 1-Zippered Soft Case
- 1-Manual
- 1-Shipping Carton
- 1-Lock