



OWNER'S MANUAL

702 PLINKSTER®

.22 CAL
SEMI-AUTOMATIC RIFLE
WITH DETACHABLE
MAGAZINE

IMPORTANT "SAFETY WARNINGS" — NOTE THE SYMBOL



These safety warnings are for your protection as well as the safety of others. Disregarding information in this manual may result in serious injury or death.



Be certain this owner's manual is available for reference and is kept with this firearm if transferred to another party. If this manual is lost or misplaced, contact the Product Service Center for a free replacement copy.



After performing any work on your firearm such as cleaning, adjustments, disassembly or installation of any accessory, the firearm should be re-checked for proper functioning before firing live ammunition.



Firearms are complex mechanisms. Any modification, alteration, or improper fitting of parts may result in a dangerous malfunction, damage to the firearm and injury to the shooter and/or other persons. The firearm's owner must accept full responsibility for the correct reassembly and functioning of the firearm after any disassembly or replacement of parts.



If you do not understand any of the material in this manual or have any questions, contact a qualified gunsmith or Mossberg International directly.



Do not attempt to load or use any firearm until you read and understand the information contained in its owner's manual. Before handling your firearm, you should learn how it operates and how to maintain it. This includes knowing its basic parts, how the manual safety and other safety features operate, how to safely open and close the action and how to safely load and unload ammunition from the firearm. Improper use and handling is dangerous and could cause serious injury or death to you or those around you. All users of the firearm must become thoroughly familiar with the instructions in this manual.

distributed by

MOSSBERG INTERNATIONAL, INC.

P.O. BOX 455 • 7 GRASSO AVENUE, NORTH HAVEN, CT 06473

PHONE (203) 230-5331 FAX (203) 230-5418

www.mossbergintl.com

Safety and safe firearms handling is everyone's responsibility.



As the owner of a firearm, you must undertake the full-time responsibility of safe firearms handling for your own safety and the safety of those around you:

- Keep all firearms and ammunition out of the reach of children.
- Store your firearms and ammunition separately.
- Never store a loaded firearm.
- Never leave a loaded firearm unattended.
- Never transport a loaded firearm in a vehicle.
- Unload your rifle when you have stopped shooting and when you have to climb a tree, fence, cross a slippery surface or have to transport it in a vehicle.
- Do not load your rifle before you are in a place where it is safe to shoot, and keep your finger off the trigger until you are ready to shoot.
- Never shoot at water, rocks or any hard surfaces. Bullets may glance off such surfaces and cause injuries.
- Do not use alcohol or drugs before or while handling firearms.
- Do not touch the trigger while the safety button is being engaged or disengaged.



Always point the muzzle of your firearm in a safe direction, regardless of whether the firearm is loaded or unloaded. You should become thoroughly familiar with the function and operation of this firearm and the instructions supplied with it.



Always treat every firearm as if it were loaded. Give your firearm to someone with the action open, and the safety button pushed fully to the right to the "ON" (SAFE) position, after you verify the firearm is unloaded. Insist on the same procedure when receiving a firearm from someone else. Learn the location of all the safety features of your firearm and how they operate.



Wear eye and ear protection when shooting. Shooting without proper ear protection can cause hearing damage. The use of eye protection during any type of shooting is important to protect your vision.



When using a firearm with mounted optics, maintain an adequate distance between the rear of the scope and your face at all times. Be certain the scope installation does not interfere with access to, or the proper functioning of the safety.



We specifically disclaim any responsibility for damage or injury whatsoever occurring in connection with, or as a result of, the use of faulty, or non-SAAMI standard, or "remanufactured" or hand-loaded (reloaded) ammunition. Additionally, we disclaim any responsibility for damage or injury which results from any modifications or changes that are not a part of the firearm as delivered from the factory.



Learn to clean your firearm thoroughly and make certain no oil, grease or other materials are blocking the barrel. Obstructions of any kind can cause damage to the firearm resulting in personal injury.

Practice proper firearm maintenance and safety. Make sure all exposed metal surfaces are coated with a thin film of oil, especially after being exposed to damp weather. (See proper section of this manual for cleaning instructions.) Do not plug the barrel or store in a fabric-lined case, which will absorb lubricants from the firearm. Before using after storage, follow complete instructions stated in this manual for familiarization with the firearm. A thorough inspection should be performed before going into the field. Have your firearm periodically checked by a qualified gunsmith.

TABLE OF CONTENTS

	Page
General Information and Mechanical Characteristics	4
Mechanical Safety	5
Magazine Installation	6
Loading and Unloading the Magazine and Rifle	8
Firing the Rifle	10, 11
Disassembly for Cleaning and Lubrication	11
Cleaning and Lubrication	13, 14
To Re-assemble the Rifle	14
Function Testing	15
Precautions and Care with your Rifle	15
Sight Adjustment	16
Service Instructions	17
Warranty Information	18
Exploded View	19
Parts List	19
<i>Basic Rules of Safe Firearms Handling</i>	Back Cover

GENERAL INFORMATION AND MECHANICAL CHARACTERISTICS

The Plinkster™ is designed to operate with .22 long rifle cartridges of sub-sonic, standard, high or hyper velocities only.

When the rifle leaves the factory, its metal parts are protected by a coat of very adherent oil. This coating, especially inside of the barrel, must be removed before using the rifle. The oil on the outside surfaces should also be removed when the packing box has been open because the oil is very sticky and it easily retains dust and other solid impurities from the air.

The rifle is designed to fire semi-automatically. Finger pressure must be relieved from the trigger before an additional shot can be fired.



WARNING

Because this rifle can be used as a single shot, it will fire whether or not a magazine is in the rifle if a cartridge is chambered.

RIFLE WILL FIRE WITH MAGAZINE OUT.

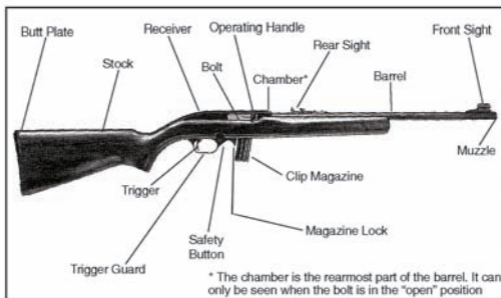


Fig. 1



Read and understand this entire manual and its safety warnings before firing the rifle.

MECHANICAL SAFETY

The safety button is located at the front of the trigger guard (Fig. 2) and must be manually moved to the desired position by the shooter.



The safety is set in the "ON" (SAFE) position by pushing the button from the left side (side opposite the ejection port) so that it moves all the way to the right. The button must always be pushed fully to the right until it moves no further to be in the "ON" (SAFE) position.



The safety mechanism cannot be engaged unless the hammer is cocked.



Fig. 2



Remember, a firearm's manual safety is a mechanical device which can never replace safe firearm handling practices.



Never rely on any mechanical mechanism or safety device to prevent the dangers of careless handling or pointing a firearm in an unsafe direction.

Moving the safety button fully to the left will put the safety in the "OFF" (FIRE) position.



The safety button is designed to function only as described above and should not be reversed. Do not attempt to remove or reverse the button. Doing so will result in an unsafe condition which can cause serious injury or death.

The safety button is marked with a red ring for training purposes as a reminder that moving it to the left with red showing is the "FIRE" position, moving it all the way to the right with red not showing is the "SAFE" position. The safety button can only be engaged when the hammer is cocked.

MAGAZINE INSTALLATION

Familiarize yourself with the rifle by installing and removing an unloaded clip magazine and by learning to keep the bolt in the open position.



Ensure the safety button is fully to the right to the "ON" (SAFE) position and visually and physically check the chamber and the receiver area to be certain the firearm is unloaded.

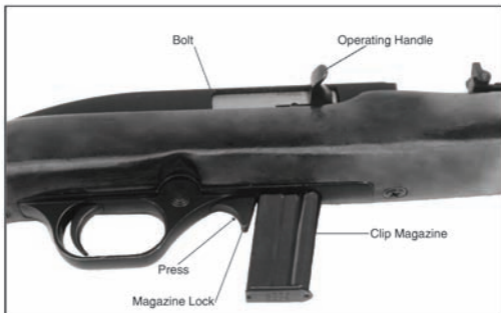


Fig. 3

TO INSTALL CLIP MAGAZINE

Insert the unloaded clip magazine with the red cartridge follower end first and the long flat portion of the clip to the rear of the magazine opening. Push the magazine into place until it snaps into its locked position. (Fig. 3)

TO REMOVE CLIP MAGAZINE

Press the magazine lock forward toward muzzle and pull the magazine from the stock with your free hand. (Fig. 3)

NOTE: It is easier to remove the magazine from the rifle if the bolt is locked at its most rearward position by its operating handle.



WARNING

Removal of the magazine will not unload the rifle! After you remove the magazine always visually and physically inspect the chamber and receiver to ensure the rifle is completely unloaded!

RIFLE WILL FIRE WITH MAGAZINE OUT.

KEEPING THE BOLT IN THE "OPEN" POSITION

If the magazine is not installed, pull the operating handle fully rearward then push the handle inward. To release the bolt, pull the end of the operating handle to the rear and outward to release.

If an empty magazine is installed, the magazine follower will keep the bolt in an open position. (Fig. 4) To remove the magazine, pull the operating handle fully rearward (Fig. 5) and push the handle inward to lock the bolt rearward. (Fig. 6) Then remove the magazine by pressing the magazine lock in.



Fig. 4



Fig. 5



Fig. 6

TO LOAD AND UNLOAD MAGAZINE AND RIFLE

The 702 Plinkster™ includes a 10-shot capacity magazine. The rifle operates with .22 LR cartridges of sub-sonic, standard, high, or hyper velocities only.

The magazine should be loaded before installing it to the rifle. Remove it from rifle as described in the previous section.

Load the magazine by inserting one cartridge at a time, pressing against the plastic follower and rearwards until it is fixed between the lips of the magazine. Repeat the operation until the magazine is full, or until the desired number of cartridges have been loaded. The magazine should be loaded with .22 Long Rifle cartridges only (Fig. 7). For best performance we recommend using Hi-Velocity ammunition.



Fig. 7



Before installing the magazine to the rifle, point the rifle in a safe direction, pull the operating handle fully rearward, release it, and let the bolt return to its most forward position. Move the safety button fully to the right to the "ON" (SAFE) position.

Insert the loaded magazine into the magazine opening until it snaps into its locked position.

Point the rifle in a safe direction and ensure the safety button is still positioned fully to the right at the "ON" (SAFE) position. Using the operating handle, pull the bolt to its most rearward position, release it, and let the bolt return freely to its forward position. The bolt will push one cartridge from the magazine to the chamber.

The rifle is now loaded.



Do not touch the trigger until you are ready to fire.



Removing the magazine does not unload the rifle! The rifle will fire if a cartridge is chambered, whether or not a magazine is in the rifle.



Discharging firearms in poorly ventilated areas, cleaning firearms, or handling ammunition may result in exposure to lead and other substances known to cause birth defects, reproductive harm, and other serious physical injury. Have adequate ventilation at all times. Wash hands thoroughly after exposure.

With the rifle pointed in a safe direction and held in the proper firing position, move the safety to its "OFF" (FIRE) position. Pulling the trigger through its full travel to the rear, will fire the rifle.



Should the round fail to fire, keep the rifle pointed in a safe direction, remove the magazine (as it may still have loaded rounds), pull the operating handle fully rearward, extracting and ejecting the misfired round. Move the safety button fully to the right to the "ON" (SAFE) position. Segregate the misfired round from other ammunition. Do not attempt to refire a misfired round.



If at any time during firing, the sound of any given round is noticeably louder or softer than previous rounds fired, STOP! Do not load or fire additional rounds. Keep the rifle pointed in a safe direction, remove the magazine (as it may still have loaded rounds), pull the operating handle fully rearward and lock the action open. Visually and physically verify that the chamber is empty. Move the safety button fully to the right to the "ON" (SAFE) position. After unloading, inspect your firearm for possible damage or obstructions in the chamber or bore.

The pressure generated by the powder combustion will push the bolt to its rearward position, extracting and ejecting the fired cartridge case. Upon reaching its most rearward position, the hammer will be cocked again and the bolt recoil spring will push the bolt forward, taking a new cartridge from the clip magazine and chambering it. The rifle will again be ready to fire. This cycle will be repeated every time the trigger is pulled until there are no cartridges in the magazine.

As the rifle was designed to fire semi-automatic only, it is mandatory to relieve pressure on the trigger after each shot in order to allow the disconnecter to again connect the trigger to the firing mechanism.

After the last shot has been fired, the clip magazine follower is designed to keep the bolt in the open position. (Fig. 4)



Move the safety button fully to the right to the "ON" (SAFE) position and visually and physically inspect the chamber and magazine to ensure that there are no live rounds present.

If the magazine is withdrawn from the rifle, the bolt will close; however, it is easier to remove the magazine from the rifle if the bolt is locked at its most rearward position by its operating handle.



Before inserting a new loaded magazine in the rifle move the safety button fully to the right to the "ON" (SAFE) position

If the bolt is locked in its open position by the operating handle, to chamber a cartridge, insert a loaded magazine, pull the operating handle to the rear and outward and let the bolt move freely forward.



The rifle is now loaded.

To interrupt shooting and unload the rifle, keep the rifle pointed in a safe direction, move the safety button fully to the right to the "ON" (SAFE) position, remove the magazine and pull the bolt to its most rearward position, extracting and ejecting the round in the chamber. Push the operating handle inward to hold the bolt open.

To uncock the hammer, remove the magazine and visually and physically inspect that there are no cartridges in the chamber or action. Pull the bolt back to its middle rearward course, pull the trigger and release the bolt while still keeping pressure on the trigger. The bolt will close with an uncocked hammer. In this situation the mechanical safety cannot be engaged.

If desired or necessary, the rifle can be single loaded with a cartridge directly into the chamber. Pull the bolt rearwards and lock it to the receiver using the operating handle. Move the safety button fully to the right to the "ON" (SAFE) position and keeping the barrel pointed in a safe direction, insert a cartridge directly into the chamber and close the bolt. It will be easier to single load the rifle if the magazine is removed from the rifle.



The rifle is now loaded and will fire when the trigger is pulled with the safety in the "OFF" (FIRE) position whether or not the magazine is in the rifle.

As a safety procedure, every time shooting is interrupted or the rifle is unloaded, move the safety button fully to the right to the "ON" (SAFE) position, and move the bolt to the open position and locked to the receiver by operating handle.

DISASSEMBLY FOR CLEANING AND LUBRICATION



Remove magazine. Pull the operating handle fully rearward to extract and eject any cartridge that might be in the chamber. Push the operating handle in to lock the bolt in the open position. Move the safety button fully to the right to the "ON" (SAFE) position. Visually and physically inspect the chamber and inside the receiver to be certain the rifle is unloaded. Wear eye protection during disassembly and cleaning.

Using a No. 2 Phillips screwdriver, remove the two screws located at the front and back of the trigger guard and pull the barrel/receiver assembly away from the stock.

With a pin punch or similar tool, remove the two pins located at the side of the receiver. (Fig. 8) Be careful not to damage the black finish on the parts.



Fig. 8

Pull the trigger housing assembly out of the receiver. Carefully release the bolt operating handle and **slowly** allow the bolt to move forward until it stops. Observe the orientation of the red buffer to the receiver then remove the red buffer from behind the bolt.

Lay the rifle over your right hand with the ejection port upwards and the barrel pointing to the left. Using the thumb and forefinger of your left hand hold the bolt lever and pull it backwards until you can introduce the forefinger of your right hand in between the bolt and the barrel. (Fig. 9)



Fig. 9

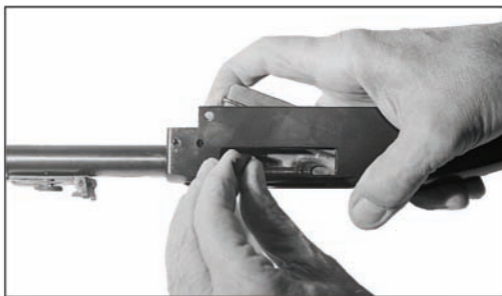


Fig. 10

With the forefinger of your right hand pull the bolt out of the receiver until the bolt lever can be removed through the ejection port (Fig. 10). Now you can pull the bolt completely out of the receiver. Remove the bolt spring and its guide rod. Left handed shooters should invert hands position as described above.

No other disassembly should be done by the shooter. If service is required, contact a qualified gunsmith or the factory authorized service center.

CLEANING AND LUBRICATION

NOTE: Semi-automatic firearms require more frequent cleaning than those manually operated.

With proper care, your Mossberg Int'l.[™] 702[™] Plinkster[™] will provide you with years of dependable service. Your firearm should be inspected and cleaned periodically to insure that it remains in good condition. Clean your firearm as soon as possible after use. This is especially important if your firearm has been exposed to moisture.

Follow the instructions and use the equipment provided in a quality firearm cleaning kit.

All metal parts should be cleaned with an appropriate firearm cleaning solvent and lightly lubricated with gun oil. Over lubrication should be avoided. Use only lubricants specifically designed for firearms. Avoid the use of abrasives, which may damage the metal finish.

Normal use requires only that the mechanisms be free of excessive shooting residue. Very little lubrication other than a light oiling of external surfaces is needed to prevent rust.

If the rifle is to be stored for a long period of time it should be thoroughly cleaned and oiled. Do not plug the barrel or store the firearm in a case that will absorb lubricants.

THE TRIGGER HOUSING ASSEMBLY, BOLT ASSEMBLY AND RECEIVER

In the trigger housing, special attention should be given to the bolt sliding surfaces and to the feeding ramp. The bolt and the receiver must be carefully cleaned and free of any solid residues. Solid residues in the bolt/receiver areas may prevent the bolt from closing properly and a misfire may result.

THE BARREL

As it is not possible to clean the barrel from breech to muzzle, be very careful while introducing the cleaning rod into the barrel muzzle, thus avoiding any damage to the barrel crown.

Use a .22 caliber brass cleaning brush, moistened with solvent, scrubbing the barrel several times.

Use a .22 caliber cleaning rod with a clean cloth patch to wipe the bore dry. Repeat several times, using a new patch each time, until the barrel is clean and shows no signs of residue.

Final wipe with a quality gun oil moistened patch. Do not over-lubricate, a light film is recommended.



Make sure the barrel is free of obstructions and excessive lubricant after cleaning as they can create dangerous obstructions, resulting in damage to the firearm and serious personal injury.

TO REASSEMBLE THE RIFLE

Assemble the bolt spring and then its guide rod into the existing hole in the bolt. Adjust the guide rod point into its lodgement in the receiver, and using the forefinger of the right hand, push the bolt partially rearwards and introduce it into the receiver. Before completely introducing the bolt into the receiver, assemble the operating handle to the bolt.

Reassemble the plastic buffer to the rear of the receiver.

Pull the bolt to its most rearward position and lock the operating handle to the receiver.

Reassemble the trigger housing assembly into the receiver, front part first. Align the front holes and insert the front pin. Lower the rear part of the trigger housing assembly into the receiver, align the rear holes and insert the rear pin.

If any difficulty is found when lowering the rear part of the trigger housing assembly into the receiver, press the ejector to align it with its corresponding slot in the bolt.

Reassemble the metal parts into the stock, insert the two take down screws and tighten them.

Check to ensure the rifle is functioning properly.

FUNCTION TESTING



AFTER PERFORMING ANY WORK ON YOUR FIREARM SUCH AS CLEANING, DISASSEMBLY OR INSTALLATION OF AN ACCESSORY:

- a. Keep the muzzle pointed in a safe direction, remove the magazine and pull the operating handle fully rearward to open the action, and visually and physically check the chamber and inside the receiver to be certain the rifle is unloaded.
- b. Move the safety button fully to the right to the "ON" (SAFE) position.

Close the action and leave the safety in the "ON" (SAFE) position. Pull the trigger rearward fully. The hammer should not fall (No Fire).

Remove your finger from the trigger. Move the safety to the "OFF" (FIRE) position. The hammer should not fall (No Fire).

Leave the safety in the "OFF" (FIRE) position.

Pull the trigger rearward. The hammer should fall (FIRE).

Open the action by pulling the operating handle fully rearward and push the operating handle in to lock the bolt in the open position. Move the safety button fully to the right to the "ON" (SAFE) position.



IF YOUR FIREARM DOES NOT PERFORM AS DESCRIBED IN ANY OF THE ABOVE STEPS, CONTACT THE PRODUCT SERVICE CENTER IMMEDIATELY. DO NOT ATTEMPT TO USE THE FIREARM.

PRECAUTIONS AND CARE WITH YOUR RIFLE

When you store your rifle, make sure that the magazine and the chamber are empty. Keep the bolt closed and the hammer down in order to relieve pressure on their springs.

Handling leaves moisture prints that can cause metal parts to rust. Abrupt changes in temperature cause condensation and moisture. Wipe the barrel and other metal parts with light oil after handling. The receiver and trigger guard will not rust as they are made of aluminum die castings. However, their painted surface must be well cared for in order to avoid scratches.

SIGHT ADJUSTMENT



BEFORE MAKING ANY SIGHT ADJUSTMENTS:

- a. Keep the muzzle pointed in a safe direction, remove the magazine and pull the operating handle fully rearward to open the action, and visually and physically check the chamber and inside the receiver to be certain the rifle is unloaded.
- b. Move the safety button fully to the right to the "ON" (SAFE) position.

Elevation adjustment: To raise the point of impact, raise the rear sight by turning the top adjustment screw clockwise. To lower the point of impact, lower the rear sight by turning the top adjustment screw counter-clockwise.

Windage adjustment: To move the point of impact to the right, turn the side adjustment screw clockwise. To shift the point of impact to the left, turn the side adjustment screw counter-clockwise.

Remember: Move the rear sight in the same direction you would like the shot to move. For example, if the point of impact is low and left from the point of aim, move the rear sight upward and to the right. (Fig. 11)

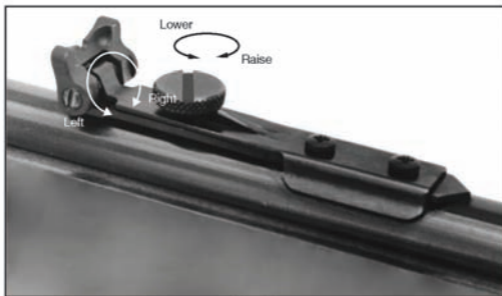


Fig. 11

SERVICE INSTRUCTIONS

Should your firearm, or any component of your firearm require service, ship your entire firearm (please do not send components only), via your chosen carrier, postage paid (we do not accept C.O.D. shipments), following these instructions:



- **Make absolutely certain your firearm is unloaded.**
- **Do not send ammunition with your firearm.**
- Remove all accessories from your firearm such as scopes, slings, mounts, etc.
- Ship your firearm in a suitable container, packaging it securely to prevent parts from shifting and/or harm during shipping.
- Include a note with a clear description of the service you wish us to perform, your complete return shipping address (no P.O. boxes please), your daytime telephone number and your e-mail address (if available). It is advisable to place your correspondence inside your shipping container when shipping.

SHIPPING ADDRESS

Product Service Center
Maverick Arms, Inc.
1001 Industrial Blvd.
Eagle Pass, TX 78853
Attention: Repair

If you have any questions, please call the Product Service Center at (800) 363-3555.

TO ORDER PARTS FROM US

To order parts from the Product Service Center, you can fax, phone, mail, or e-mail your order to us at one of the below numbers/addresses.

Fax Number: (830) 773-5893

Phone Number: (800) 363-3555

E-mail Address: service@mossberg.com

Mailing Address: Product Service Center
Maverick Arms, Inc.
1001 Industrial Blvd.
Eagle Pass, TX 78853
Attention: Order Department

Please provide your name, address, city, state, zip, your daytime phone number and e-mail address. We'll need Model #, Serial #, Gauge/Caliber, Finish, Part # and Part Name. We have a \$7.50 (U.S.) minimum parts order charge. We accept most major credit cards, personal checks, money orders, and bank drafts.

Service outside of the U.S.A.

For Mossberg International firearm parts and service requirements outside of the United States, customers are requested to contact the closest Mossberg International stocking dealer/distributor.

MOSSBERG INTERNATIONAL WARRANTY

702™ .22 CALIBER SEMI-AUTOMATIC RIFLE

ONE (1) YEAR LIMITED WARRANTY

Limited Warranty: Mossberg International, Inc. ("Mossberg") warrants to you, the original retail purchaser of a new Mossberg Int'l™ 702™ Plinkster™ .22-caliber semi-automatic rifle (the "Mossberg firearm"), that the Mossberg firearm will be free of defects in material or manufacture for a period of one (1) year from the date of your purchase of the new Mossberg firearm (the "Warranty Period") in the United States or Canada. This is the only express warranty on the Mossberg firearm. MOSSBERG MAKES NO OTHER WARRANTIES OF ANY KIND OR CONDITIONS, INCLUDING, BUT NOT LIMITED TO ANY IMPLIED WARRANTY OF MERCHANTABILITY OR FITNESS FOR A PARTICULAR PURPOSE. This Limited Warranty gives you specific legal rights, and you may have other rights that vary from State to State.

Purchaser's Remedy: During the Warranty Period, Mossberg will, at its sole option, (1) repair the Mossberg firearm or any part thereof that, upon examination and testing by Mossberg, does not conform to the Limited Warranty without charge to you for parts or labor, or (2) replace the Mossberg firearm with a new or similar model. THIS REMEDY SHALL BE YOUR EXCLUSIVE AND SOLE REMEDY FOR ANY BREACH OF WARRANTY. MOSSBERG SHALL NOT BE RESPONSIBLE FOR ANY OTHER EXPENSES, LOSSES OR INCONVENIENCE THAT YOU MAY SUSTAIN AS A RESULT OF THE PURCHASE, USE, MALFUNCTION OR DEFECTIVE CONDITION OF THE MOSSBERG FIREARM. Mossberg reserves the right to inspect, examine and/or test the Mossberg firearm to assess any claim made under the Limited Warranty.

EXCLUSIONS: THIS WARRANTY DOES NOT COVER THE COSMETIC APPEARANCE OF THE MOSSBERG FIREARM OR ANY DAMAGE CAUSED BY:

- (1) NORMAL WEAR AND TEAR;
- (2) FAILURE TO PERFORM PROPER CARE AND MAINTENANCE;
- (3) ACCIDENTS, ABUSE OR NEGLIGENCE;
- (4) BARREL OR BORE OBSTRUCTIONS;
- (5) FAILURE TO FOLLOW THE INSTRUCTIONS AND WARNINGS THAT ACCOMPANY THE MOSSBERG FIREARM; OR
- (6) THE USE OF DEFECTIVE, NON-SAAMI STANDARD, REMANUFACTURED, HAND-LOADED, AND/OR RELOADED AMMUNITION.

IN ADDITION, ANY UNAUTHORIZED REPAIRS, ALTERATIONS OR MODIFICATIONS TO THE MOSSBERG FIREARM WILL AUTOMATICALLY VOID THE LIMITED WARRANTY.

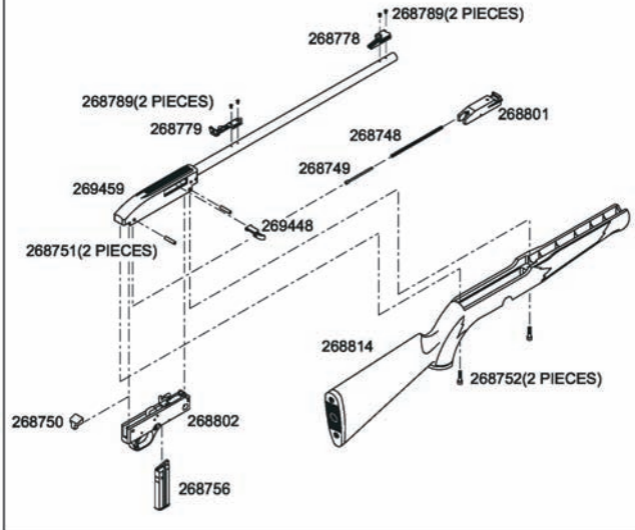
LIMITATION OF DAMAGES: EXCEPT WHERE PROHIBITED BY LAW, MOSSBERG WILL NOT BE LIABLE FOR ANY LOSS OR DAMAGE WHATSOEVER ARISING FROM THE USE OF THIS MOSSBERG FIREARM, WHETHER DIRECT, INDIRECT, SPECIAL, INCIDENTAL, CONSEQUENTIAL OR PUNITIVE, REGARDLESS OF THE LEGAL THEORY ASSERTED, INCLUDING CONTRACT, WARRANTY, NEGLIGENCE, OR STRICT LIABILITY. SOME JURISDICTIONS DO NOT ALLOW LIMITATIONS ON HOW LONG AN IMPLIED WARRANTY LASTS, OR THE EXCLUSION OF INCIDENTAL OR CONSEQUENTIAL DAMAGES, SO THE ABOVE LIMITATIONS MAY NOT APPLY TO YOU.

Warranty Service: To obtain service under this Limited Warranty, you must follow the instructions found in the "Service Instructions" section of the Owner's Manual and return the Mossberg firearm to the authorized Product Service Center. You are responsible for all shipping costs to the Product Service Center. Mossberg will not accept COD shipments of any Mossberg firearm for service. After repair or replacement, the Mossberg firearm or a similar model will be returned to you, return postage paid by Mossberg. If we replace the Mossberg firearm, we will keep the firearm that you returned to Mossberg.

Modification of Warranty: No agent, representative, distributor, or authorized dealer of Mossberg firearms has any authority to modify the terms or conditions of the Limited Warranty in any way. The Limited Warranty may only be modified in writing by an authorized officer of Mossberg.

THIS LIMITED WARRANTY IS EFFECTIVE JANUARY 1, 2003.

EXPLODED VIEW



PARTS LIST

Item No.	Description	Item No.	Description
268814	Stock assembly - black synthetic	268751	Pin \varnothing 5.0 x 26.0 mm (2 pieces)
269462	Stock assembly Mossy Oak® New Break-Up® camo pattern	268779	Rear sight assembly
268752	Take down screw (2 pieces)	268789	Rear sight screw (2 pieces)
*269459	Receiver and barrel assembly	268778	Front sight assembly
269448	Operating handle	268789	Front sight screw (2 pieces)
*268801	Bolt assembly	*268802	Trigger guard assembly
268748	Bolt recoil spring	268756	Magazine Assembly
268749	Bolt recoil spring guide		
268750	Bolt plastic buffer		

Items marked with an asterisk (*) are reserved for qualified gunsmiths only.

FIREARMS SAFETY DEPENDS ON YOU. MAKE NO MISTAKE ABOUT IT!

From the time an individual picks up a firearm, that individual shooter becomes a part of a system over which he has complete control. He is the only part of the system that can make a gun safe – or unsafe. Hunting and target shooting are among the safest of all sports. This booklet is intended to make them even safer – by re-emphasizing and reaffirming the basics of safe gun handling and storage and by reminding each individual shooter that he or she is the key to firearms safety. You can help meet this responsibility by enrolling in hunter safety or shooting safety courses. You must constantly stress safety when handling firearms, especially to children and non-shooters. Newcomers in particular must be closely supervised when handling firearms with which they may not be acquainted. Don't be timid when it comes to gun safety. If you observe anyone violating any safety precautions, you have an obligation to suggest safer handling practices, such as those in this booklet. Please read these rules carefully and follow the safety procedures outlined. Firearms safety is up to you. Make no mistake about it.

- 1. ALWAYS KEEP THE MUZZLE POINTED IN A SAFE DIRECTION**
- 2. FIREARMS SHOULD BE UNLOADED WHEN NOT ACTUALLY IN USE**
- 3. DON'T RELY ON YOUR GUN'S "SAFETY"**
- 4. BE SURE OF YOUR TARGET AND WHAT'S BEYOND IT**
- 5. USE CORRECT AMMUNITION**
- 6. IF YOUR GUN FAILS TO FIRE WHEN THE TRIGGER IS PULLED, HANDLE WITH CARE**
- 7. ALWAYS WEAR EYE AND EAR PROTECTION WHEN SHOOTING**
- 8. BE SURE THE BARREL IS CLEAR OF OBSTRUCTIONS BEFORE SHOOTING**
- 9. DO NOT ALTER OR MODIFY YOUR GUN, AND HAVE GUNS SERVICED REGULARLY**
- 10. LEARN THE MECHANICAL AND HANDLING CHARACTERISTICS OF THE FIREARM YOU ARE USING**

*Courtesy of
Sporting Arms and Ammunition Manufacturers' Institute, Inc.*