

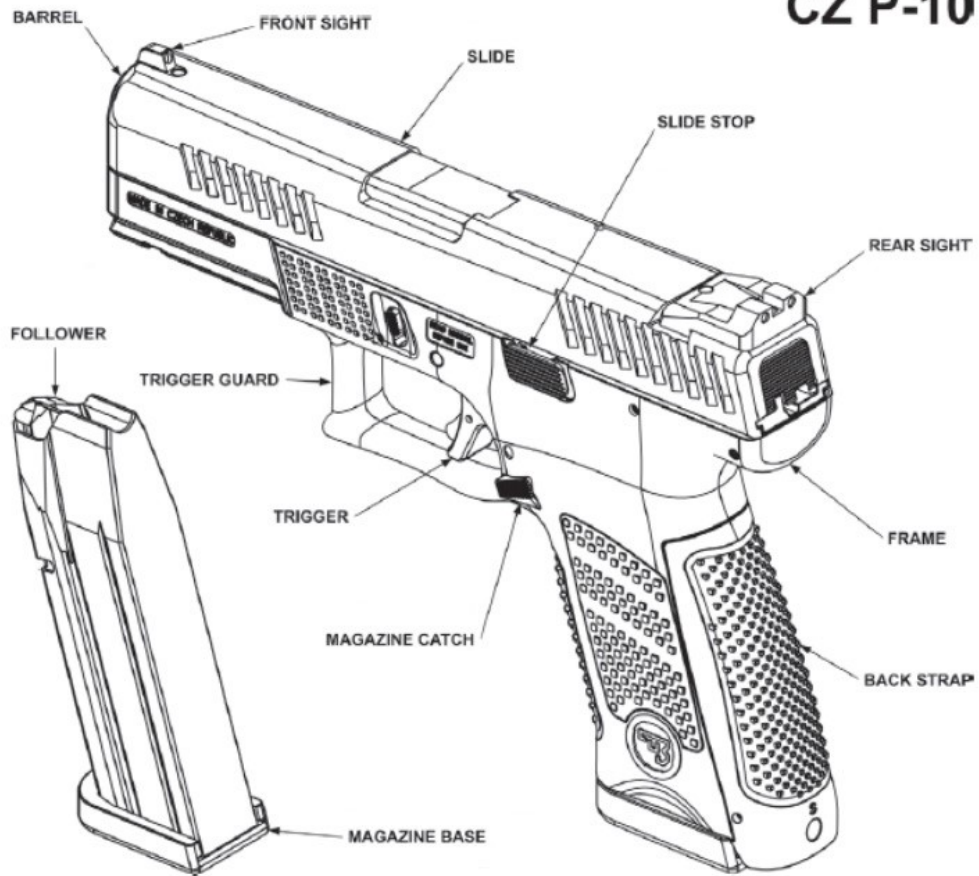


# CZ P-10

Instruction Manual

1

# CZ P-10



2



3



**Before handling the firearm read this manual carefully and observe the following safety instructions.**

Improper and careless handling of the firearm could result in unintentional discharge and could cause injury, death or damage to property. The same consequences can be caused by unauthorized modifications or adjustments, corrosion, or use of non-standard or damaged ammunition. In these cases the manufacturer shall not be responsible in any manner whatsoever for the resultant consequences. Before leaving the factory this firearm was tested, carefully inspected, and packed. CZ cannot accept responsibility for product handling while in transit, or upon leaving the factory. Therefore, please examine this firearm carefully at the time of purchase to ensure that it is unloaded and undamaged.

This instruction manual should always accompany this firearm even in the case of the loan or sale.

**CONTENTS**

<b>SAFETY INSTRUCTIONS</b> .....	2
<b>PISTOL DESCRIPTION AND TERMINOLOGY</b> .....	3
Safety Features.....	3
<b>TECHNICAL SPECIFICATIONS</b> .....	4
<b>OPERATING INSTRUCTIONS</b> .....	5
Ammunition.....	5
Removal of the Magazine.....	5
Magazine Loading.....	5
Pistol Loading.....	5
Reloading During Shooting.....	5
Unloading the Pistol.....	5
Sight Adjustment.....	5
Changing the Back Strap Inserts.....	5
<b>MAINTENANCE INSTRUCTIONS</b> .....	6
Stripping for Cleaning - Disassembly.....	6
Magazine Disassembly.....	6
<b>CLEANING THE PISTOL</b> .....	7
Cleaning the Barrel Bore and the Cartridge Chamber.....	7
Cleaning of Other Pistol Parts.....	7
Preserving.....	7
Waste Management.....	7
<b>TROUBLESHOOTING, CAUSES AND REMEDIES</b> .....	8
<b>WARRANTY INFORMATION</b> .....	9
<b>PARTS DIAGRAM</b> .....	10
<b>LIST OF PARTS</b> .....	11
<b>MAINTENANCE NOTES</b> .....	12
<b>LIST OF ILLUSTRATIONS</b> .....	12

**SAFETY INSTRUCTIONS**

Always follow the safety instructions for your safety and the safety of others.

1. Always handle your pistol as if it were loaded.
2. Never point your pistol at anything you do not intend to shoot.
3. Never take anyone's word that a gun is unloaded.
4. Always make sure that your pistol is not loaded before laying it down, or handing it to another person.
5. Always keep your pistol empty, except when you intend to shoot.
6. Never abuse your pistol by using it for any purpose other than shooting.
7. Never leave the pistol cocked and ready to fire unattended.
8. Before loading your pistol, be sure that the barrel bore, chamber, and action are clean and clear of obstructions. After shooting, clean the dirtied pistol as soon as possible.
9. Do not shoot the pistol unless you are certain about the ammunition you are using. Do not use unmarked, hand-loaded, or ammunition from an unknown source; ammunition with a cracked, deformed or dented case or with a damaged bullet. Reloading is an expert activity and incorrectly reloaded ammunition may be extremely dangerous. It may result in heavy damage or destruction of the pistol and serious injury or death of the shooter or other persons. Always use only clean, dry, original high quality commercially-manufactured ammunition, which is appropriate to the caliber of your pistol.
10. Never drink alcoholic beverages or take drugs before or during shooting.
11. Always wear safety glasses and ear protection when shooting.
12. Always keep clear and keep others clear of the ejection port.
13. Never squeeze the trigger or put your finger in the trigger guard until you are aiming at a target and ready to shoot.
14. Always be absolutely sure of your target, and the area behind it, before you squeeze the trigger. A bullet could travel through or past your target up to several hundred meters.
15. Never shoot at a hard surface such as rock, or a liquid surface such as water.
16. Never fire your pistol near an animal unless it is trained to accept the noise.
17. Never indulge in "horseplay" while holding your pistol.
18. Failure to fire: In case of failure to fire hold the firearm keeping it pointed towards the target, or a safe open area and wait 30 seconds. If a hangfire (slow ignition) has occurred, the cartridge will fire within 30 seconds. If the cartridge does not fire, eject the cartridge and examine it. If the firing pin indent on the cartridge is light, or non-existent, have the firearm examined by a competent gunsmith.
19. Always make sure your pistol is not loaded before cleaning, storing or travelling. Remove any unused ammunition from the pistol and store it in compliance with the law.
20. Always keep and store your pistol and ammunition in separate locked receptacles out of reach and sight of children and untrained people. Always protect the ammunition from sources of heat and open flame.
21. Never alter any parts of your pistol as the safety and proper function of your pistol could be seriously compromised.
22. Always be aware that corrosion, use of damaged ammunition, dropping the pistol on hard surfaces or other "coarse treatment" could cause damage you may not see. If something like this happens allow the pistol to be examined and tested by a competent gunsmith.

## PISTOL DESCRIPTION AND TERMINOLOGY

The names of basic pistol parts used in this Instruction Manual are presented in Fig. 1 on the inside front cover. Nomenclature of all specific parts is presented in the section List of Parts.

The CZ P-10 is a semi-automatic handgun incorporating short recoil, designed for aimed shooting up to 50 m distances. The pistol utilizes the locked breech principle. It is fitted with a partially-precocked DA trigger mechanism and the firing pin is blocked with an internal safety. The frame is made from fiber-reinforced polymer material.

Characteristic features of the CZ P-10 are:

- Comfortable grip and balance in either hand
- Good results at instinctive shooting (without aiming)
- Low trigger pull weight
- High accuracy of fire
- Long service life
- High reliability, even with various types of cartridges
- Sights adapted for aiming under reduced visibility conditions
- Slide hold-open after firing the last cartridge in the magazine
- Highly suited for daily carry
- The standard pistol version is provided with an ambidextrous slide stop
- The frame dustcover is equipped with a rail for optional accessories
- Possibility of increasing the magazine capacity by easy replacement of the magazine bottom

Standard pistols are supplied with these items:

- 2 magazines\*
- Set of interchangeable back strap inserts
- Maintenance and cleaning instruments (cleaning brush and cleaning rod)
- Owner's manual
- Padlock

\*Some special packages may have additional magazines and/or other equipment

### Comments:

The P-10 uses a partially-precocked DA trigger mechanism. Before firing, the striker rests in a partially-cocked position. When the trigger is pulled, it is further cocked and finally released. After each firing, the shooter must ease pressure on the trigger until it resets for the next shot.

### Safety Features

#### *Trigger guard*

Helps prevent unintentional contact with the trigger, for example when the pistol is dropped.

#### *Firing pin block*

Prevents the firing pin from contacting the primer when the trigger is not pulled.

#### *Trigger safety*

Prevents unwanted movement of the trigger. Unless the trigger safety is deactivated, the trigger cannot be pulled, thus the pistol cannot be fired.

#### *Drop safety*

Incorporating many features and accomplished through design, the firearm minimizes the risk of unwanted firing during improper handling, especially when a loaded pistol falls or is dropped.

## TECHNICAL SPECIFICATIONS

Model	P-10 S	P-10 C	P-10 F
Action	Striker Fired	Striker Fired	Striker Fired
Frame	Polymer with removable stainless steel inserts	Polymer with removable stainless steel inserts	Polymer with removable stainless steel inserts
Slide	Steel with nitride finish	Steel with nitride finish	Steel with nitride finish
Caliber	9mm	9mm	9mm
Overall Length	6.6 in	7.4 in	8 in
Height	4.6 in	5.2 in	5.85 in
Width	1.25 in	1.25 in	1.25 in
Sight Distance	6 in	6.42 in	7 in
Barrel Length	3.5 in	4 in	4.5 in
Barrel Rifling	6 Groove, 1 twist in 10 inches	6 Groove, 1 twist in 10 inches	6 Groove, 1 twist in 10 inches
Barrel Material	Steel with nitride finish	Steel with nitride finish	Steel with nitride finish
Magazine Capacity	12	15	19
Weight Unloaded	24.4 oz	26.3 oz	28.2 oz

## OPERATING INSTRUCTIONS

### Ammunition

Always use factory-loaded ammunition which is in compliance with standards applicable for ammunition manufacturers and is approved by the CIP (Permanent International Commission for Firearms Testing) or SAAMI (Sporting Arms and Ammunition Manufacturers' Institute Inc. of the United States). The use of other cartridges could damage the handgun or cause injury to the shooter. When using factory-loaded ammunition with standard speed, the use of firearms produced by Česká zbrojovka a.s. is safe. Check the ammunition you are going to use to make sure that it corresponds to the caliber of your firearm. Commercially produced ammunition is clearly marked with the caliber on the bottom or around the bottom of each cartridge case.

### Removal of the Magazine

The pistol is equipped with a magazine catch. Grip the pistol in your hand and using your thumb depress the magazine catch (Fig. 2, inside front cover). The magazine disengages and falls out of the frame.

### Magazine Loading

With the open end uppermost, grasp the magazine in one hand. Place a cartridge on the magazine follower. Press the cartridge down and back until it touches the rear flat edge of the magazine (Fig. 3, inside front cover). Place the next cartridge on top of the previous cartridge and press down and back. We recommend that when some cartridges are already loaded in the magazine, depress them slightly with the thumb of the hand which holds the magazine. The number of cartridges can be checked through the inspection holes. Do not try to exceed the magazine capacity - doing so can cause a feeding failure.

### Pistol Loading

Always make sure the pistol is pointed in a safe direction when loading! Insert a loaded magazine and ensure that it has engaged the magazine catch. Hold the pistol by the grip with one hand, and with the thumb and index finger grasp the serrated finger grips on both sides of the slide. Retract the slide to the stop and allow it to snap forward (Fig. 4, inside front cover). This procedure precocks the firing mechanism and inserts a cartridge into the chamber. The pistol is now ready to fire.

### Reloading During Shooting

When the last cartridge has been fired the slide will stay to the rear. Remove the emptied magazine and replace it with a loaded one. Thumb down the slide stop with the shooting hand (Fig. 5, inside rear cover), or with the other hand draw back the slide and allow it to snap forward. The pistol is again loaded and ready to fire.

### Unloading the Pistol

ALWAYS MAKE SURE THE PISTOL IS POINTED IN A SAFE DIRECTION! Remove the magazine and draw back the slide to verify the last cartridge has been extracted from the chamber and ejected. Let the slide snap fully forward and depress the trigger (dry fire).

### Sight Adjustment

The pistol sights were sighted in at the manufacturing plant at a distance of 15 m so that the mean point of impact approximately conforms to the point of aim. Windage correction can be carried out by the drifting of the rear sight in the dovetail and then secured in its position by screw. Elevation correction is carried out by exchanging the front sight for higher or lower sizes and by securing with a screw.

### Changing the Back Strap Inserts

Each pistol is supplied with a set of changeable back strap inserts, which enables the rear part of the grip to be adjusted according to the individual needs of the user. In order to change the back strap inserts it is necessary to remove the back strap pin (Fig. 6, inside rear cover).

**MAINTENANCE INSTRUCTIONS****Stripping for Cleaning - Disassembly**

POINT YOUR PISTOL IN A SAFE DIRECTION!

Remove the magazine. The pistol must not be disassembled with the magazine inserted!

Make sure that there is no cartridge in the chamber!

Pull the trigger and make sure that it remains in the rear position.

Grasp the frame with your palm, use the fingers of the same hand to grasp the rear part of the slide from the top. Use your fingers to move the slide back by no more than 5 mm (Fig. 7, inside rear cover).

Use the fingers of your other hand to push the disassembly plate downwards until it stops. (Fig. 8, inside rear cover).

Release the pressure on the slide and remove it from the frame (Fig. 9, inside rear cover)

Remove the recoil spring from the slide and finally the barrel.

**Reassembly**

Ensure trigger is in the rear (pulled) position

Ensure barrel is fully seated in the slide and the recoil spring is properly installed and oriented

Align the rear of the slide with the front of the rails in the frame

Grasping the slide serrations, pull fully rearward on the slide, resulting in its capture on the frame

Cycle the pistol manually several times to ensure that the slide is properly installed

**CAUTION:** If barrel is not fully seated into the slide or if pressure is applied to the barrel hood as the pistol is reassembled, improper assembly can occur. If this happens, draw the slide rearward slightly to align the rear of the slide and the rear of the frame, pull the trigger and draw the slide forward to remove it from the frame. Reassemble with barrel fully locked into slide, taking care not to push it out of full lockup.

**Magazine Disassembly**

Depending on magazine base design there are several disassembly methods possible.

- If there is a hole in the magazine base, use an instrument to depress the base lock through the hole in the magazine base and slide the base slightly forward.
- If the rear part of the magazine is fitted with a sliding base lock, move it into disassembly position and slide the base slightly forward.

In either case, cover the base with your thumb to hold the spring and use the other hand to slide the base completely out of its guiding rails. Be careful during the disassembly as the spring could fly out, or even cause an injury.

**CAUTION:** No further disassembly of your pistol is recommended. Any adjustment or repair should be entrusted to a competent gunsmith!



**CLEANING THE PISTOL**

When to clean the pistol:

- As soon as possible after each use
- If the firearm gets wet
- At least once a year in a temperate climate
- As often as once a month in a tropical climate, or other demanding environment

**Cleaning the Barrel Bore and the Cartridge Chamber**

If the pistol has not been fired or if only a few cartridges have been fired, clean the barrel bore and cartridge chamber with a clean patch attached to the cleaning rod. Repeat the cleaning, changing patches, until the last patch comes out clean.

When the barrel bore is very dirty, apply a quality firearms CLP (Cleaner, Lubricant, Protectant) using a cleaning brush. Let the solvent act for about 10 minutes (this time may vary depending on the degree of fouling). Then thoroughly scrub out the barrel bore. Subsequently, dry the barrel bore and cartridge chamber with a clean patch and check that all powder residues or fouling have been removed. If necessary repeat this procedure. The cleaning rod and the brush must be inserted into the barrel bore from the chamber, to prevent wear or damage to the muzzle. Pass the brush all the way through the barrel bore before reversing the movement. If you change directions with the brush in the barrel, the brush could stick.

**Cleaning of Other Pistol Parts**

Other parts of the pistol (including the external surfaces of the barrel) should be cleaned with a cleaning brush and a dry cloth. A quality CLP can be used for proper cleaning. Never use an agent specifically designed for barrel bore cleaning! These solutions could remain in the joints, and after some time could cause corrosion. Check that cloth particles or brush bristles have not become lodged in any part of the pistol.

**Preserving**

When the barrel's bore, chamber, and all other accessible parts of the firearm are clean and dry, apply a thin film of CLP via a cloth. Place several drops of oil:

- Around the exterior of the barrel 1/4" back from the muzzle
- At the locking surface where the front of the barrel hood locks into the slide when the firearm is in battery (above the chamber on the barrel)
- On each of the rails within the frame, located on the frame inserts

Remove all excess oil from the exterior of the firearm.

Before shooting, always wipe the barrel bore dry. For use in extremely low temperatures, remove the oil from all accessible parts of the firearm or apply a lubricant prepared especially for these conditions.

The application of thick preserving agents such as grease should only occur for long-term storage in demanding climate environments, and before any use of the pistol it must be thoroughly removed from all parts of the firearm.

**Waste Management**

When used properly, the materials used in the product and packaging have no adverse effects on human health or the environment. When disposing of the product or its packaging, metal parts (steel and non-ferrous metals), plastics, wood, paper and cardboard should be stored separately in collecting containers intended specifically for that purpose.

**TROUBLESHOOTING, CAUSES AND REMEDIES**

If your pistol is properly used and maintained, malfunctions will rarely occur. However, if such a situation does occur, please observe the following instructions.

CAUTION - If a malfunction occurs, the possibility of unintentional discharge is substantially increased. For this reason, carefully observe the Safety Instructions already mentioned above. Keep the pistol pointed in a safe direction, do not turn the pistol against your body or anyone else's! Do not place your hands in front of the barrel! If you use your pistol for self-defense, or in law enforcement, please acquire so-called "dummy cartridges" and practice fast clearing of malfunctions as described below.

Malfunction	Possible Cause	Remedy
A cartridge did not feed properly into the chamber or the slide has not fully locked with the barrel	Magazine is not fully inserted or is damaged.  The pistol or cartridges are fouled (dirty) or too heavily greased.	Insert magazine properly or change magazine.  Clean the pistol and cartridges and wipe them dry or as case may be slightly lubricate.
Misfire	Defective cartridge.  Firing pin hole fouled (dirty) or improper lubrication agent used under low temperature conditions.	Pull the trigger again. If a discharge is not initiated, follow the Safety Instructions according to point 18 (page 2).  Disassemble and clean the firing pin or use a low temperature lubricant.
A shot sounds "weak" combined with failure to eject the cartridge case	The cartridge has been activated but no powder load was inside the cartridge case.	Unload the pistol and check that the bullet is not lodged in the barrel. A subsequent shot could cause damage to the barrel.
The spent case has not been ejected	Cartridge chamber, extractor or ammunition dirty, or unsuitable lubricant in low temperature environment.	Clean and wipe the pistol dry or lubricate lightly with a suitable agent. Use new and clean ammunition.
Pistol did not reassemble properly	Barrel was not in full lockup when assembled, barrel lug is hung up on disassembly plate	Draw slide rearward until the rear of the slide and the rear of the frame are even, pull the trigger, remove slide from frame. Reassemble with barrel fully locked into slide.

If you cannot clear away any malfunction in the manner described above or the pistol is damaged due to rough handling or a fall, entrust the pistol to a competent gunsmith for inspection and repair.

## Limited Five Year Warranty

All CZ-USA firearms are warranted to be free from defects in material and workmanship for one (1) year on wooden parts and surface treatment and five (5) years on other parts. This warranty is granted by CZ-USA, P.O. Box 171073, Kansas City, KS 66117-0073 to the original purchaser of the firearm. **Under no circumstances shall CZ-USA be responsible for incidental or consequential damages with respect to economic loss or injury to property, whether as a result of breach of expressed or implied warranty, negligence or otherwise.** Some states do not allow the exclusion of incidental or consequential damages, so above limitation may not apply to you. CZ-USA will not be responsible for the results of careless handling; unauthorized adjustments; defective, low quality, reloaded or improper ammunition; corrosion; neglect; ordinary wear and tear or unreasonable use. Furthermore, the liability of CZ-USA under this warranty shall be limited solely to the obligation to replace or repair the firearm and to pay the related transportation charge from the facility of CZ-USA. This warranty gives you specific legal rights, and you may also have other rights which vary from state to state.

**PLEASE NOTE:** Handguns and long guns are classified as FIREARMS or DANGEROUS WEAPONS. Guns are surrendered to CZ-USA with the express understanding that it assumes no responsibility for pre-sale handling under local laws and restrictions.

**YOUR SALES RECEIPT SERVES AS YOUR PROOF OF OWNERSHIP FOR WARRANTY PURPOSES. A COPY OF THIS WILL BE REQUIRED IN THE EVENT WARRANTY REPAIR WORK IS NEEDED IN THE FUTURE.**

The following service centers are available depending on the CZ firearm you need repaired:

***CZ-USA Warranty Center***

For **CZ** brand **Pistols, Rifles, Air Guns** and **Shotguns WITH THE EXCEPTION OF SAFARI CLASSICS RIFLES, CUSTOM RIFLES, 75 SP-01 SHADOW, CUSTOM PISTOLS, VZ58 AND VZ61 SKORPION**, please call 1-800-955-4486 or email [warranty@cz-usa.com](mailto:warranty@cz-usa.com)

***Triple River/Safari Classics Warranty Center***

For all **SAFARI CLASSICS/CUSTOM RIFLES** please call 1-660-438-2004 or email [tripleriver@embarqmail.com](mailto:tripleriver@embarqmail.com)

***Dan Wesson Warranty Center***

For all **DAN WESSON** brand pistols and revolvers please call 1-607-336-1174 or email [dwservice@cz-usa.com](mailto:dwservice@cz-usa.com)

***75 SP-01 Shadow/Custom Shop Warranty Center***

For service on a **75 SP-01 SHADOW** or **CZ CUSTOM PISTOL** please call 1-480-969-1311 or email [rob@czcustom.com](mailto:rob@czcustom.com)

If you qualify for a warranty/custom/paid repair work, the service center will issue a **Return Authorization** number.

The **Return Authorization** number must appear on the package in **BOLD** lettering.

Include a copy of your original sales receipt or ATF Form 4473. In lieu of the previously mentioned items, the warranty period will be based on the original date of sale from CZ-USA to the FFL dealer.

Include a detailed explanation of the issue along with your name, phone number, email and a physical address. **(NO P.O. BOXES PLEASE)**

The firearm must be unloaded and properly packaged.

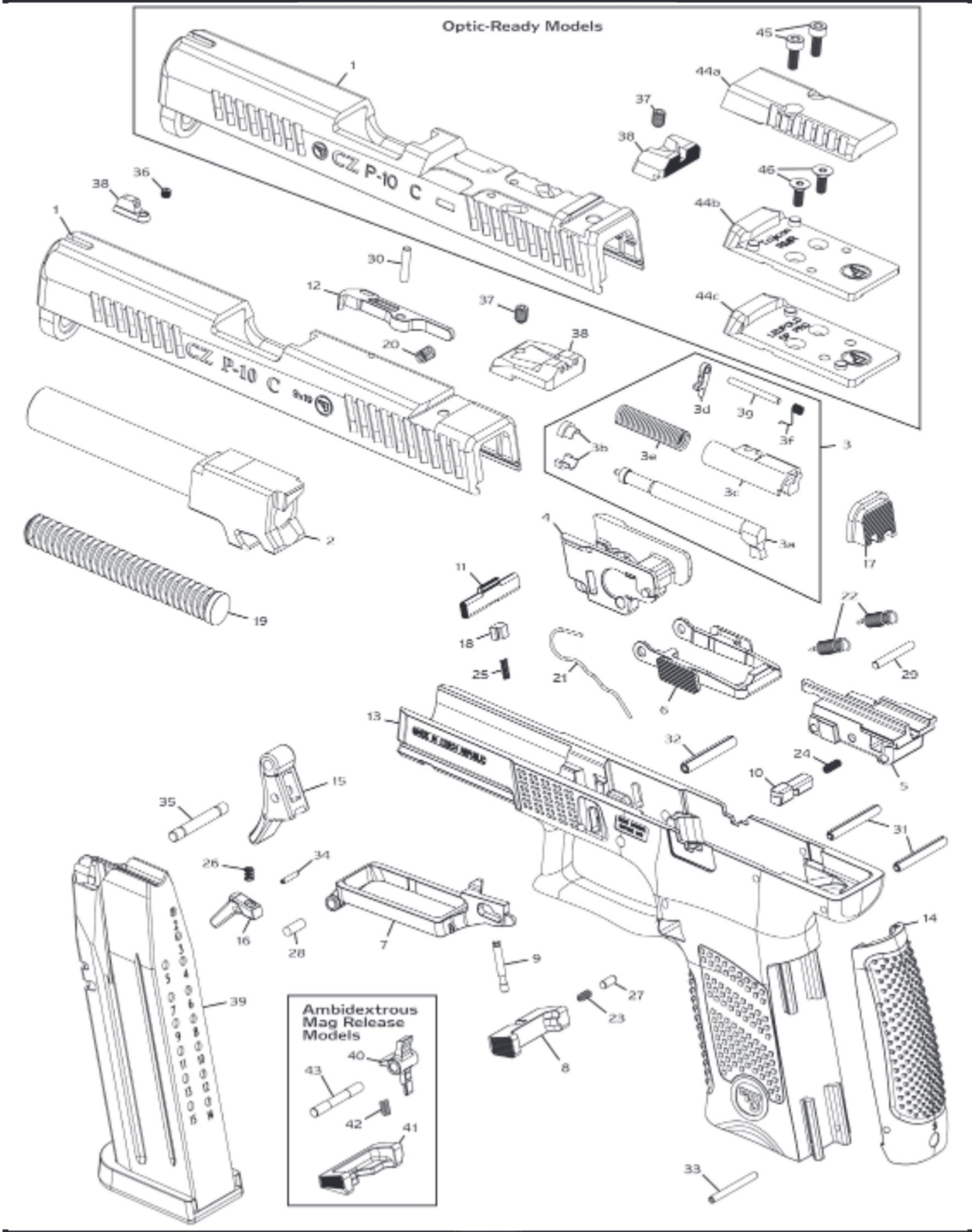
The firearm must be sent through a carrier that can provide a tracking number. CZ-USA will not be held responsible for packages lost or damaged in transit.

**FAILURE TO COMPLY WITH THESE REQUIREMENTS WILL RESULT IN THE REFUSAL OF YOUR PACKAGE.**

For your record-keeping purposes:

Model \_\_\_\_\_ Purchase Date \_\_\_\_\_  
 Caliber \_\_\_\_\_ Dealer Sold By \_\_\_\_\_  
 Serial Number \_\_\_\_\_

INSTRUCTION MANUAL



**LIST OF PARTS**

1. Slide \*
2. Barrel \*
3. Firing pin assembly
  - 3a) Firing pin
  - 3b) Spring holder (2x)
  - 3c) Firing pin case
  - 3d) Automatic safety
  - 3e) Main spring
  - 3f) Automatic safety spring
  - 3g) Automatic safety pin
4. Insert - front \*
5. Insert - rear
6. Slide stop
7. Trigger bar
8. Magazine catch \*
9. Magazine catch plug \*
10. Trigger bar disconnecter \*
11. Disassembly plate
12. Extractor
13. Frame
14. Backstrap
  - 14a) Back strap "S" \*
  - 14b) Back strap "M" \*
  - 14c) Back strap "L" \*
15. Trigger
16. Trigger safety
17. Slide cover
18. Disassembly plate retainer
19. Recoil spring \*
20. Extractor spring
21. Slide stop spring
22. Trigger bar spring (2x)
23. Magazine catch spring \*
24. Trigger bar disconnecter spring
25. Disassembly plate spring
26. Trigger safety spring
27. Magazine catch pin \*
28. Trigger bar pin
29. Trigger bar spring pin
30. Extractor pin
31. Insert - rear coiled pin (2x)
32. Insert - front coiled pin
33. Interchangeable back strap pin
34. Trigger safety pin
35. Front insert pin
36. Front sight screw \*
37. Rear sight screw \*
38. Set of sights \*
39. Magazine \*
40. Magazine catch \*
41. Magazine catch button \*
42. Magazine catch spring \*
43. Magazine catch pin \*
44. Optic plate \*
  - 44a) Blank optic plate \*
  - 44b) RMR optic plate \*
  - 44c) Deltapoint optic plate \*
45. Blank optic plate screw \*
46. Optic plate screw \*

The parts marked \* differ according to versions, or as case may be in some versions are entirely missing.

The Company, reserves the right to make any changes it thinks necessary to improve its models or to meet any requirements of manufacturing or commercial nature.

**Maintenance Notes**

---

---

---

---

---

---

---

---

---

---

---

---

---

---

---

---

---

---

---

---

---

---

---

---

---

---

---

---

---

---

**LIST OF ILLUSTRATIONS**

1. The names of basic parts (inside front cover)
2. Removal of the magazine (inside front cover)
3. Magazine loading (inside front cover)
4. Pistol loading
5. Releasing the slide from "fire readiness" by pressing the slide stop
6. Replacement of the back strap
7. Setting the slide into disassembly position
8. Pushing the disassembly plate
9. Removing the slide





CZ-USA  
P.O. Box 171073  
Kansas City, KS 66117  
800-955-4486  
info@cz-usa.com