



# OWNERS MANUAL

FOR 500<sup>®</sup> AND 590<sup>®</sup>  
SHOCKWAVE<sup>®</sup> AND  
COMPACT CRUISER<sup>®</sup>  
PUMP ACTION FIREARMS

**IMPORTANT “SAFETY WARNINGS” - NOTE THE SYMBOL **

**THESE SAFETY WARNINGS ARE FOR YOUR PROTECTION AS WELL AS THE SAFETY OF OTHERS. DISREGARDING INFORMATION IN THIS MANUAL COULD CAUSE SERIOUS INJURY OR DEATH TO YOU OR THOSE AROUND YOU.**



Be certain this owner's manual is available for reference and is kept with this firearm if transferred to another party. If this manual is lost or misplaced, contact the Product Service Center for a free replacement copy or visit [www.mossberg.com](http://www.mossberg.com).



After performing any work on your firearm such as cleaning, adjustments, disassembly or installation of any accessory, the firearm should be re-checked for proper functioning before firing live ammunition.



Firearms are complex mechanisms. Any modification, alteration, or improper fitting of parts may result in a dangerous malfunction, damage to the firearm, and could cause serious injury or death to you or those around you. The firearm's owner must accept full responsibility for the correct reassembly and functioning of the firearm after any disassembly or replacement of parts.



If you do not understand any of the material in this manual or have any questions, contact the Product Service Center or a qualified gunsmith.



Do not attempt to load, handle or use your firearm until you read and understand the information contained in this owner's manual. Before handling your firearm, you should learn how it operates and how to maintain it. This includes knowing its basic parts, how the manual safety and other safety features operate, how to safely open and close the action and how to safely load and unload ammunition from the firearm. Improper use and handling is dangerous and could cause serious injury or death to you or those around you. All users of the firearm must become thoroughly familiar with the instructions in this manual.

---

## O.F. MOSSBERG & SONS, INC.

P.O. BOX 497 • 7 GRASSO AVENUE, NORTH HAVEN, CONNECTICUT 06473

PHONE (800) 363-3555

[www.mossberg.com](http://www.mossberg.com)

*Safety and safe firearms handling is everyone's responsibility.*

---



As the owner of a firearm, you must undertake the full-time responsibility of safe firearms handling for your own safety and the safety of those around you:

- Keep all firearms and ammunition out of the reach of children.
- Store your firearms and ammunition separately.
- Never store a loaded firearm.
- Never leave a loaded firearm unattended.
- Never transport a loaded firearm in a vehicle.
- Unload your firearm when you have stopped shooting and when you have to climb a tree, fence, cross a slippery surface or have to transport it in a vehicle.
- The safety should remain fully in the “ON” (SAFE) position and the firearm unloaded at all times until you are in a place where it is safe to shoot, keeping your finger off the trigger and outside of the trigger guard until you are aiming at the intended target and have decided to fire.
- Never shoot at water, rocks or any hard surface. Shots may glance off such surfaces and cause injuries.
- Do not use alcohol or drugs before or while handling firearms.
- Do not touch the trigger while the safety is being engaged or disengaged.



Always point the muzzle of your firearm in a safe direction, regardless of whether the firearm is loaded or unloaded. You should become thoroughly familiar with the function and operation of this firearm and the instructions supplied with it.



Always treat every firearm as if it is loaded. Give your firearm to someone with the action open (bolt fully rearward), and the safety fully in the “ON” (SAFE) position, after you verify the firearm is unloaded. Insist on the same procedure when receiving a firearm from someone else. Learn the location of all the safety features of your firearm and how they operate.



Always wear eye and ear protection when shooting. Shooting without proper ear protection can cause hearing damage. The use of eye protection during any type of shooting is important to protect your vision.



When using a firearm with mounted optics, maintain an adequate distance between the rear of the scope and your face at all times. Be certain the scope installation does not interfere with access to, or the proper functioning of the safety.



**We specifically disclaim any responsibility for damage or injury whatsoever occurring in connection with, or as a result of, the use of faulty, or non-SAAMI standard, or “remanufactured”, or hand-loaded (reloaded) ammunition. Additionally, we disclaim any responsibility for damage or injury which results from any modifications or changes that are not a part of the firearm as delivered from the factory.**



Learn to clean your firearm thoroughly and make certain no oil, grease or other materials are blocking the barrel. Obstructions of any kind can cause damage to the firearm and could cause serious injury or death to you or those around you.

Practice proper firearm maintenance and safety. Make sure all exposed metal surfaces are coated with a thin film of oil, especially after being exposed to damp weather. (See “Cleaning and Lubrication” section of this manual) Do not plug the barrel or store in a fabric-lined case, which will absorb lubricants from the firearm. Before using after storage, follow complete instructions stated in this manual for re-familiarization with the firearm. A thorough inspection and function test should be performed before going into the field. Have your firearm periodically checked by a qualified gunsmith.



**A note about the warnings and information contained in this manual:**

**We strongly suggest that you check with your local licensed retailer or state police for additional information concerning firearms ownership, or hunting or target shooting rules that may be required by local law or regulation. Since such rules and regulations are subject to change, local authorities are in the best position to advise you on such matters.**

**TABLE OF CONTENTS**

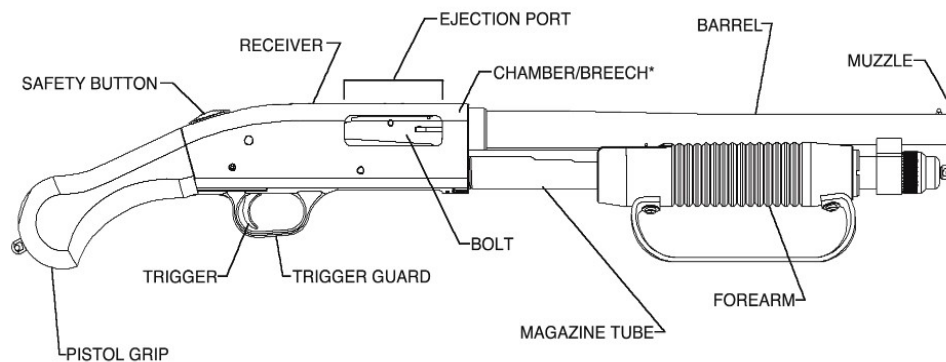
	Page
GENERAL INFORMATION AND MECHANICAL CHARACTERISTICS.....	4
MECHANICAL SAFETY.....	5
ACTION RELEASE CONTROL.....	6
BARREL ASSEMBLY.....	6-7
MAGAZINE CAPACITY.....	8
LOADING.....	8-9
FIRING.....	9
UNLOADING.....	10
DISASSEMBLY.....	10-14
CLEANING AND LUBRICATION.....	15-16
ASSEMBLY.....	16-19
FUNCTION TESTING.....	20
COMPACT CRUISER®.....	21
500® AND 590® SHOCKWAVE®.....	22
SERVICE INSTRUCTIONS.....	23
WARRANTY INFORMATION.....	24
PARTS LIST, COMPACT CRUISER®.....	28
EXPLODED VIEW, COMPACT CRUISER®.....	29
PARTS LIST, SHOCKWAVE.....	30
EXPLODED VIEW, SHOCKWAVE®.....	31
THE BASIC RULES OF FIREARM HANDLING.....	BACK COVER



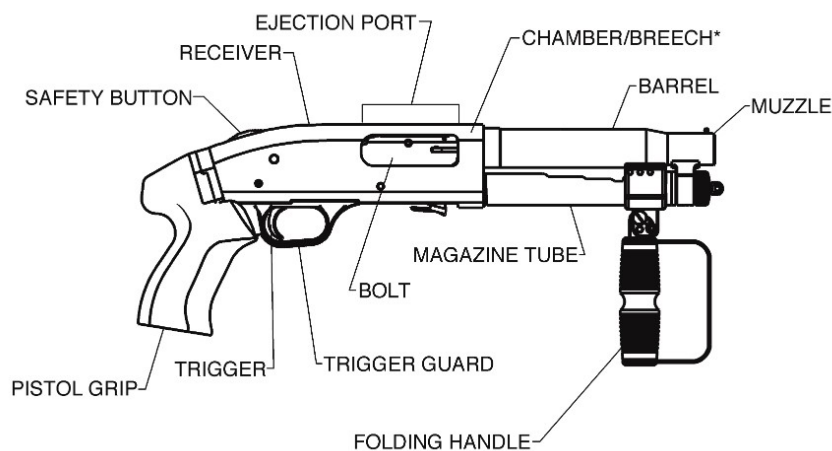
**WARNING:** This product can expose you to chemicals, including lead, which are known to the State of California to cause cancer and birth defects or other reproductive harm. For more information go to [www.P65Warnings.ca.gov](http://www.P65Warnings.ca.gov).



## GENERAL INFORMATION AND MECHANICAL CHARACTERISTICS



**Fig. 1A**  
(SHOCKWAVE®)



**Fig. 1B**  
(COMPACT CRUISER®)

\*The chamber is the rearmost part of the inside of the barrel. The breech is the rear face of the barrel. They can only be seen when the bolt is in the "open" position.



Read and understand this entire manual and its safety warnings before firing the firearm.

## MECHANICAL SAFETY

The safety button is located on the top rear portion of the receiver (Fig. 2) and must be manually moved to the desired position by the shooter.



Remember, a firearm's manual safety is a mechanical device which can never replace safe firearm handling practices.



Because any mechanical device can fail, never rely on any mechanism or safety device to prevent the dangers of careless handling or pointing a firearm in an unsafe direction.

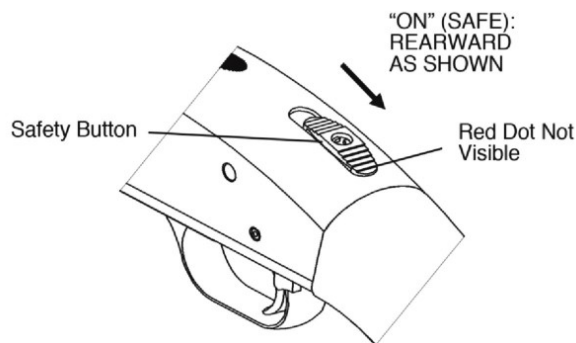


Fig. 2

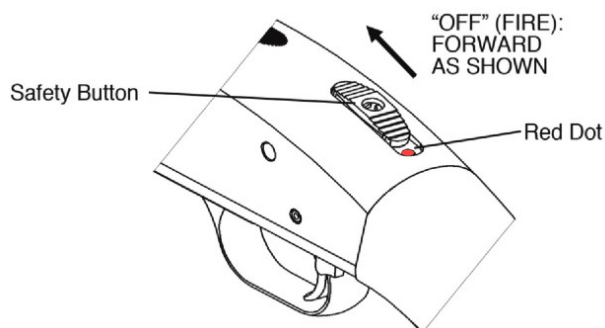


Fig. 3



The safety is set in the "ON" (SAFE) position by moving the safety button fully rearward into the safety detent. The button will now cover the red dot (Fig. 2). The red dot is a training aid used only to show the direction of the "ON" (SAFE) position and should not be used as an indicator that the safety is "ON" or "OFF."



The safety is set in the "OFF" (FIRE) position by moving the safety button to the forward position. The red dot will now be visible (Fig. 3).



The safety should remain fully rearward in the "ON" (SAFE) position and the firearm unloaded at all times until you are in a place where it is safe to shoot, keeping your finger off the trigger and outside of the trigger guard until you are aiming at the intended target and have decided to fire.



## ACTION RELEASE CONTROL

The action lock lever is located on the left side of the trigger housing just rearward of the trigger guard. The action lock lever allows the action to be unlocked and opened for inspection of the chamber and action or unloading without pulling the trigger. The action may be opened by depressing the lever and pulling the forearm rearward (Fig. 4).

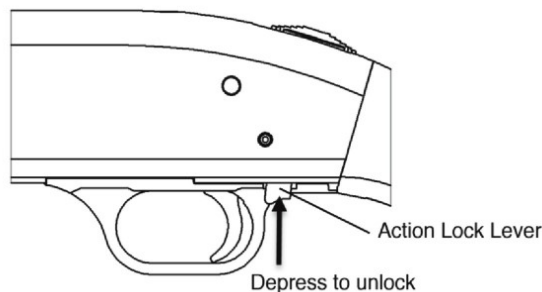


Fig. 4

## BARREL ASSEMBLY



Barrels are **not** interchangeable between model numbers, gauge, or capacity. **500<sup>®</sup>**, **505<sup>™</sup>**, **510<sup>™</sup>**, **535<sup>™</sup>**, **590<sup>®</sup>**, **HS410<sup>™</sup>** and **835<sup>®</sup>** barrels are interchangeable only with barrels of the same model, gauge and capacity. Right and left hand model barrels are not interchangeable.

**CAUTION:** Never close the action or pull the trigger while the barrel is removed as damage could result to the firearm.



Visually and physically inspect the chamber and bore of the barrel to make certain it is unloaded and that it is free of any obstructions, excessive oil or grease. If you are unable to remove all obstructions, bring the firearm to a qualified gunsmith or send it to the authorized Product Service Center. Obstructions of any kind can cause damage to the firearm and could cause serious injury or death to you or those around you.



Move the safety button fully rearward to the “ON” (SAFE) position.

**CAUTION:** Wear eye protection to protect your eyes from spring loaded components.

**All Models:** Depress the action lock lever and move the forearm rearward until the front of the bolt is in the middle of the ejection port (Fig. 5).

**590<sup>®</sup> Models:** Unscrew the magazine cap by turning it counterclockwise.

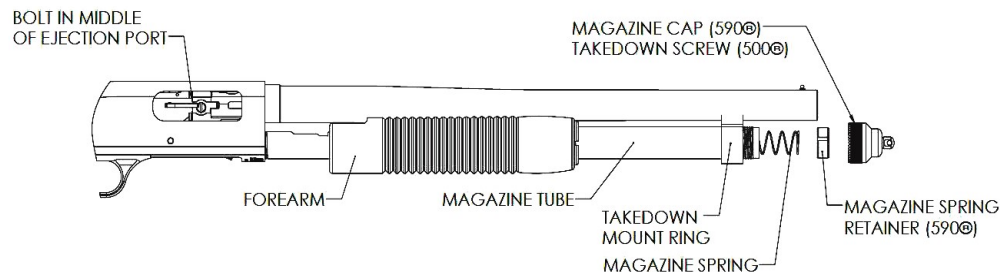
Slide the barrel takedown mount hole over the magazine tube while guiding the barrel into the receiver (Fig. 5).

Gently rotate the barrel back and forth while pushing the barrel into the receiver.



Slide the barrel into the receiver and tighten the magazine cap, finger tight only. DO NOT use pliers or a wrench to tighten magazine cap.

**CAUTION:** The **590® Model** magazine spring retainers and springs are under significant spring pressure. Use caution to prevent injury to yourself or others around you.

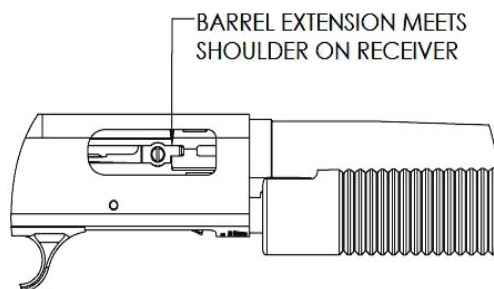


**Fig. 5**

**500® Models:** Slide the barrel into the receiver and tighten the takedown screw, finger tight only. DO NOT use pliers or a wrench to tighten the takedown screw. A little space between the magazine tube and the takedown mount is normal.



**WARNING (All Models):** Check to be certain that the barrel is fully seated into the receiver by looking through the ejection port. The barrel extension must rest firmly against the corresponding shoulder in the top of the receiver (Fig. 6).



**Fig. 6**

## MAGAZINE CAPACITY

**500® Models:** Total ammunition capacity (including one in the chamber) is six (6) 2-3/4" shotshells. Depending upon ammunition tolerance variations, total capacity may be reduced by one round when using 3" shotshells.

**590® Models:** Total ammunition capacity (including one in the chamber) is six (6) 2-3/4" shotshells. Depending upon ammunition tolerance variations, total capacity may be reduced by one round when using 3" shotshells.

**Compact Cruiser® Models:** Total ammunition capacity (including one in the chamber) is three (3) 2-3/4" shotshells or four (4) 2-3/4" shotshells depending on model configuration. Depending upon ammunition tolerance variations, total capacity may be reduced by one round when using 3" shotshells.

## LOADING



Before loading, move the safety button fully rearward to the "ON" (SAFE) position.



During loading, never allow fingers or any objects to contact the trigger. Keep the muzzle pointed in a safe direction at all times.

Depress the action lock lever and open the action by pulling the forearm completely rearward.



Do not load firearm until ready to use! Unload firearm when shooting has been completed! The safety button should always be fully rearward in the "ON" (SAFE) position whether or not the firearm is loaded.



Inspect the chamber and bore of the barrel for any obstruction, excessive oil or grease. (The chamber is the rear portion of the barrel which contains the cartridge.) Obstructions of any kind can cause damage to the firearm and could cause serious injury or death to you or those around you.



Check to be certain that the ammunition selected is the same type of cartridge as designated on the left side of the barrel.

**590® Models** are designed for factory loaded 12 gauge, 20 gauge, or .410 bore (depending on model configuration) 2-3/4" and 3" shotshells (2-1/2" .410 bore).

**500® Models** are designed for factory loaded 12 gauge, 20 gauge, or .410 (depending on model configuration) 2-3/4" and 3" shotshells (2-1/2" .410 bore).

If you wish to load the firearm with the maximum number of shotshells, or fire single shots, load the first shell through the ejection port (Fig. 7). The shell can be inserted directly into the chamber or placed on top of the elevator. Close the action by moving the forearm completely forward. Be sure to leave the safety button fully rearward in the "ON" (SAFE) position until you are ready to shoot.

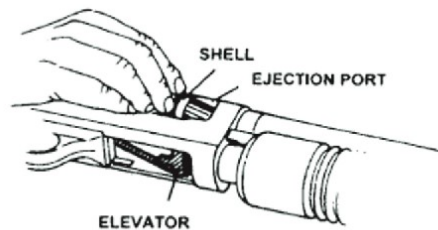


Fig. 7





The firearm is now loaded and will fire if the safety button is moved to the "OFF" (FIRE) position and the trigger is pulled. Keep the muzzle pointed in a safe direction at all times.

### LOADING THE MAGAZINE

Load the magazine tube by turning the firearm so that the trigger guard is facing up and the action is closed. Push the front end of the shell into the magazine tube until the rim of the shell snaps past the cartridge stop (Fig. 8). Never attempt to exceed the magazine capacity.



Fig. 8

### FIRING



Use of this product, including discharging firearms in poorly ventilated areas, cleaning firearms, or handling ammunition, can result in exposure to chemicals, including lead, which are known to the state of California to cause serious physical injury, including cancer, birth defects or other reproductive harm. For more information, go to [www.P65Warnings.ca.gov](http://www.P65Warnings.ca.gov).

Have adequate ventilation at all times and wash hands thoroughly after exposure.

With the firearm pointed in a safe direction and held in the proper firing position, move the safety button fully forward to the "OFF" (FIRE) position. Pulling the trigger through its full travel to the rear will cause the firearm to fire. Ensure muzzle is pointed in a safe direction before placing finger on trigger.



Should any shotshell fail to fire, keep the muzzle pointed in a safe direction for at least thirty (30) seconds in case the shotshell is a "hangfire" (delayed firing of the shotshell after being struck by the firing pin.) Move the safety button fully rearward to the "ON" (SAFE) position. Pull the forearm fully rearward so that the action is in the open position extracting and ejecting the misfired shotshell. Segregate the misfired shotshell from other ammunition. Do not attempt to refire a misfired shotshell.



If at any time during firing, the sound of any shotshell is noticeably louder or softer than previous shotshells fired, STOP! Do not load or fire additional shotshells. Move the safety button fully rearward to the "ON" (SAFE) position. Keep the muzzle pointed in a safe direction and, while keeping the ejection port and loading port opening of the firearm turned away from your face (to protect your eyes in the event a defective shotshell explodes), visually and physically verify that the chamber is empty. Safely unload your firearm and inspect it for possible damage or obstructions in the chamber or bore. Firing the firearm with a bore obstruction can cause damage to the firearm and may result in serious personal injury to the shooter and/or others nearby.

### CYCLING THE ACTION

To eject a shotshell case, pull the forearm completely rearward. The spent case or unfired shotshell will eject out of the receiver through the ejection port. The action lock lever will need to be depressed for unfired shotshell ejection.



Be sure that all observers are clear of the path of ejection. Empty cases are thrown out with significant force and could cause injury.



To chamber a live shotshell from the magazine, push the forearm fully forward.



Remember: when the magazine tube is loaded and the action is cycled, a live shotshell will be chambered! Always keep the safety button fully rearward in the “ON” (SAFE) position until you have actually decided to fire.

## UNLOADING



Move the safety button fully rearward to the “ON” (SAFE) position and keep the muzzle pointed in a safe direction while unloading the firearm.

Depress the action lock lever and pull the forearm rearward, slowly, until the live shotshell is completely withdrawn and visible in the ejection port. Remove shotshell by hand.

Pull forearm completely rearward to release the next shotshell onto the elevator.

Turn the firearm so that the ejection port faces downward to allow the released shotshell to drop out through the ejection port.

Push the forearm completely forward, closing the bolt **without** a shell being chambered.

Turn the firearm over so that the trigger guard is positioned upward and the firearm remains pointed in a safe direction.

Insert your thumb into the opening in the bottom of the receiver and depress the cartridge stop on the right side to release shotshells one at a time (Fig. 9). Repeat until all shotshells are removed from the magazine tube.

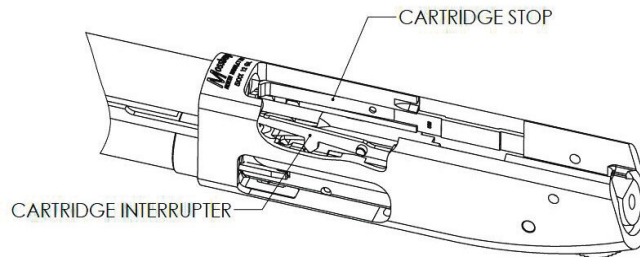


Fig. 9



Depress the action lock lever and pull the forearm completely rearward. Visually and physically inspect chamber, elevator and magazine tube to be certain the firearm is completely unloaded.

Leave the action in the open, rearward position and the safety button fully rearward in the “ON” (SAFE) position.

## DISASSEMBLY



Move the safety button fully rearward to the “ON” (SAFE) position and visually and physically check the chamber, elevator, and magazine tube to be certain the firearm is unloaded before disassembling the firearm. Wear eye protection during disassembly and cleaning to protect your eyes from oil splatter or spring loaded components.

Depress the action lock lever and open the action by sliding the forearm fully rearward.

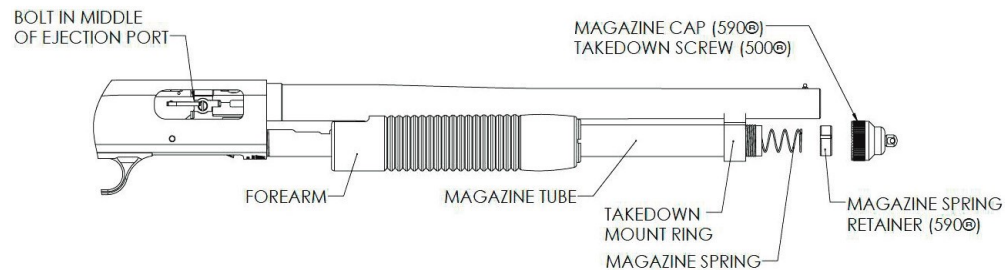
Move the forearm slowly forward from the fully rearward position until the front of the bolt is in the middle of the ejection port.



**590® Models:** Unscrew the magazine cap by turning it counterclockwise (Fig. 10).

**CAUTION:** The **590® Model** magazine spring retainers and springs are under significant spring pressure. Use caution to prevent injury to yourself or others around you.

**500® Models:** Loosen the takedown screw by turning it counterclockwise until the screw threads are completely disengaged from the end of the magazine tube (Fig. 10).



**Fig. 10**

Remove the barrel from the receiver with a gentle back-and-forth rotational movement while pulling the barrel out of the receiver assembly.

#### **PISTOL GRIP REMOVAL FOR CLEANING OR MAINTENANCE**



**BEFORE PERFORMING ANY DISASSEMBLY OR ASSEMBLY PROCEDURE:**

- Move the safety button fully rearward to the "ON" (SAFE) position and keep muzzle pointed in a safe direction.
- Open the action, visually and physically check chamber, elevator and magazine tube to be certain the firearm is unloaded.

Begin by using a 1/4" allen head wrench, loosen the Socket Head Cap Screw from the pistol grip as seen in Figure 11.

Pull the pistol grip off the receiver as seen in Figure 12.

The firearm can now be disassembled for cleaning or maintenance.



**Fig. 11**



**Fig. 12**



## RAPTOR GRIP REMOVAL



### BEFORE PERFORMING ANY DISASSEMBLY OR ASSEMBLY PROCEDURE:

- a. Move the safety button fully rearward to the “ON” (SAFE) position and keep muzzle pointed in a safe direction.
- b. Open the action, visually and physically check chamber, elevator and magazine tube to be certain the firearm is unloaded.

Using a slotted screwdriver, remove the plug from the rear of the Raptor Grip as seen in Figure 13.

Using a 1/4” allen head wrench, loosen the socket head cap screw from the Raptor Grip as seen in Figure 14.

Pull the Raptor Grip off the receiver as seen in Figure 15.



Fig. 13



Fig. 14



Fig. 15



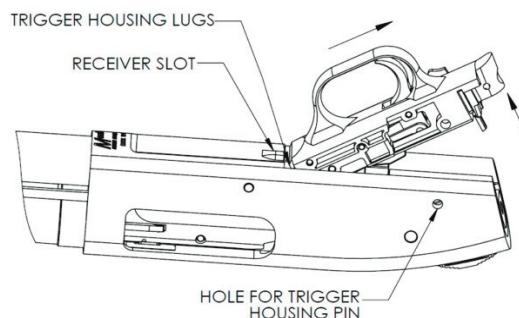


## TRIGGER HOUSING ASSEMBLY REMOVAL

Position the firearm on a clean surface with the trigger guard upward. With a punch (no greater than 3/16" [4.76 mm] diameter), push out the small diameter trigger housing retainer pin located on the side of the receiver, approximately a 1/2" (12.7 mm) below the rear of the trigger guard (Fig. 16).

Remove the trigger housing assembly by lifting the rear portion upward first.

The trigger housing assembly is a complex assembly and must not be disassembled. Disassembly should only be performed at an authorized Product Service Center or by a qualified gunsmith.



**Fig. 16**



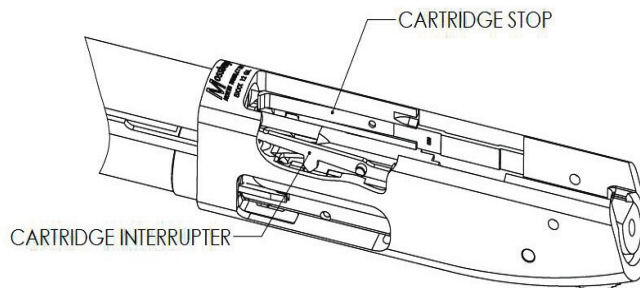
Do not pull the trigger and allow the hammer to fall when the trigger housing assembly is removed from the receiver. To do so may result in personal injury and/or damage to the assembly.

**CAUTION:** Before performing any further disassembly, take time to study how the internal components are arranged inside the receiver.

## DISASSEMBLY OF INTERNAL RECEIVER COMPONENTS

**CAUTION:** Pay special attention to the position of the bolt, bolt slide and action slide bar assembly during this portion of the disassembly, as the parts must be in the same relationship during reassembly.

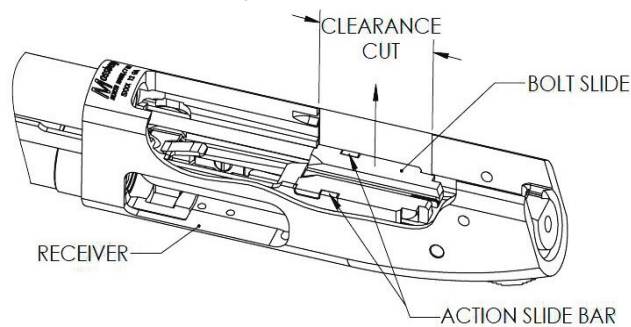
Remove the cartridge interrupter and cartridge stop from the receiver. (It may be necessary to tap the sides of the receiver lightly to release these parts) (Fig. 17).



**Fig. 17**



Move the forearm/action slide assembly rearward so that the bolt assembly and bolt slide are three quarters of the way rearward. When the bottom of the bolt slide is aligned with the clearance cuts in the sides of the receiver, lift the bolt slide upward and out of the receiver (Fig. 18).

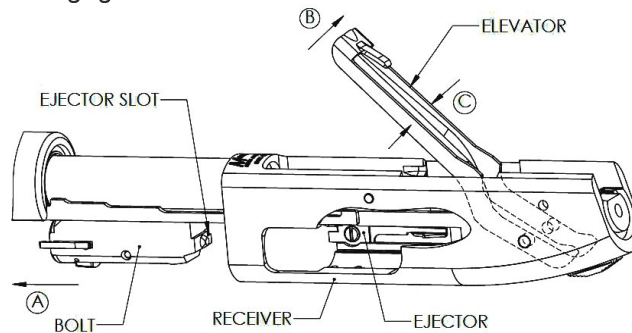


**Fig. 18**

Remove the bolt assembly by sliding it forward and out of the receiver assembly through the barrel opening at the front of the receiver (Fig. 19-A).

**NOTE:** The safety button must be fully rearward in the "ON" (SAFE) position to remove the elevator assembly.

Pivot the front portion of the elevator upward out of the receiver (Fig. 19-B). Squeeze the two arms which form the open end of the elevator assembly together sufficiently to disengage and remove the elevator from the receiver (Fig. 19-C).



**Fig. 19**

Remove the forearm/action slide assembly by sliding it forward and off the magazine tube.



**CAUTION:** Field disassembly is now complete! The firearm should not be disassembled further for routine cleaning or maintenance. Further disassembly should only be performed by an Authorized Product Service Center or by a qualified gunsmith.



## CLEANING AND LUBRICATION

With proper maintenance and care, your Mossberg® firearm will provide you with years of dependable service. Your firearm should be inspected and cleaned periodically to ensure that it remains in good condition. Clean your firearm as soon as possible after use. This is especially important if your firearm has been exposed to moisture. For maximum performance and continued satisfaction with your firearm, periodic cleaning and lubrication are essential.

Follow the instructions and equipment provided with a quality gun cleaning kit.



Always be sure that the safety button is fully rearward in the “ON” (SAFE) position and that the firearm is unloaded by visually and physically checking the chamber, elevator, and magazine tube before cleaning your firearm. Wear eye protection during cleaning to protect your eyes from oil splatter and spring loaded components.

Normal use requires only that the mechanisms be free of excessive shooting residue. Very little lubrication other than a light oiling of internal and external surfaces to prevent rust is needed.

To ensure optimum performance, Mossberg® recommends thorough cleaning of your firearm after every 200 rounds. However, unusually dusty, dirty, or harsh weather conditions, or use of ammunition which leaves significant powder residue may require more frequent cleaning.

If the firearm is to be stored for a long period of time, it should be thoroughly cleaned and oiled. Do not plug the barrel or store in a fabric-lined case that will absorb lubricant from the firearm, as this may result in corrosion to the unprotected metal surfaces.

Over-lubrication should be avoided during below freezing conditions. Many lubricants thicken in low temperatures which could affect the operation of the firearm. Exposure to unfavorable weather or moisture from condensation requires additional care to prevent corrosion to the firearm.

### BARREL CLEANING

Scrub bore and chamber with solvent and follow with cleaning patches until barrel is clean. A final pass with a lightly oiled patch will provide a protective coating. A stiff brass bristle brush is useful for removing stubborn deposits.



Be sure not to leave cleaning patches or excessive oil or grease in the bore as they can create dangerous obstructions. Obstructions of any kind can cause damage to the firearm and could cause serious injury or death to you or those around you.

### ACTION CLEANING

Clean all components of the action including the bolt, bolt slide and action slide bars to remove accumulated residue. An evaporating solvent should be used. Action parts will remain cleaner longer if lubrication is used sparingly.

### RECEIVER CLEANING

Clean the inside of receiver with a rag or soft brush, giving special attention to the tracks which guide the bolt and bolt slide. Place a few drops of light oil in these tracks when clean. Care should be taken when cleaning the exterior surfaces of the receiver to prevent cosmetic damage. Never use a brush with metal bristles, as this could remove the protective coating on the receiver.





## TRIGGER HOUSING CLEANING

Brush loose residue from trigger housing with a soft bristle brush. Never use a brush with metal bristles, as this could remove the protective coating on the trigger housing.



**Do not pull the trigger and allow the hammer to fall when the trigger housing assembly is removed from the receiver. To do so may result in personal injury and/or damage to the assembly.**

## ASSEMBLY

### ASSEMBLY OF INTERNAL RECEIVER COMPONENTS

Place the receiver with the trigger housing opening upward on a clean surface.

Check to be certain that the safety button on the top rear of the receiver is fully rearward in the "ON" (SAFE) position. Slide the forearm assembly onto the magazine tube while guiding the action slide bars into the corresponding cuts in the front of the receiver (Fig. 20).

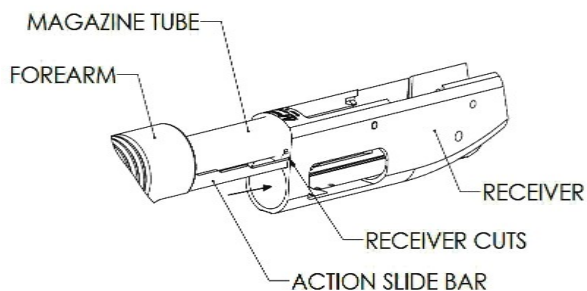


Fig. 20

Assemble the elevator by squeezing the arms together sufficiently to position them in the receiver so that the studs on the elevator fit into the corresponding (1/4" [6.4 mm]) diameter holes in the receiver (Fig. 21).

Pivot the elevator so that the forward portion of the elevator is even with the outside edge of the cavity in the receiver.

Insert the rear of the bolt assembly, with its bolt lock downwards toward the front inside top of the receiver, into the barrel opening of the receiver. Depress the ejector (located in the side of the receiver opposite the ejection port) to allow the bolt assembly to slide fully rearward into the receiver.

The ejector must fit into the corresponding slot in the bolt (Fig. 21).

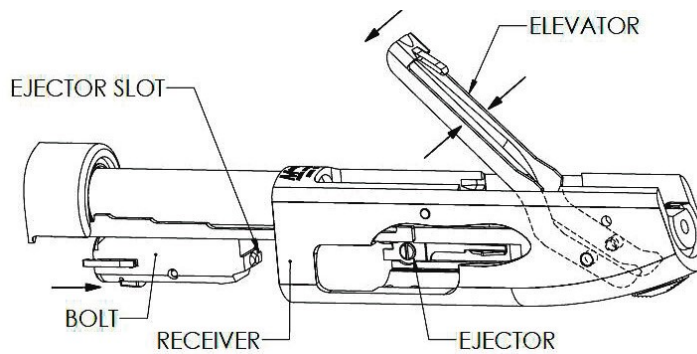


Fig. 21





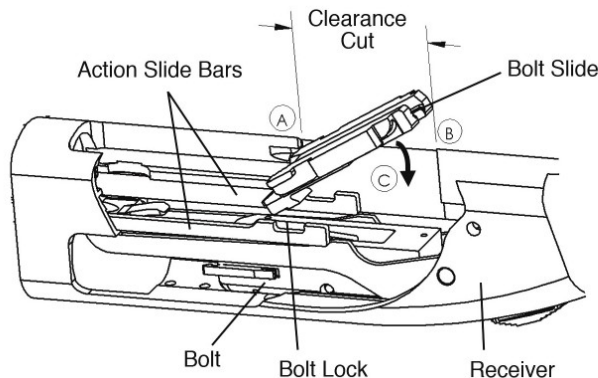


Position action slide bars so the notch on the bar is even with the cuts on the inside receiver walls (Fig. 22-A).

Push the elevator down until it rests against the bolt. Position the rear of the bolt assembly even with the rear of the clearance cuts in the sides of the receiver (Fig. 22-B).

The bolt slide should be positioned with the slotted side facing up, with notch to the rear (Fig. 22).

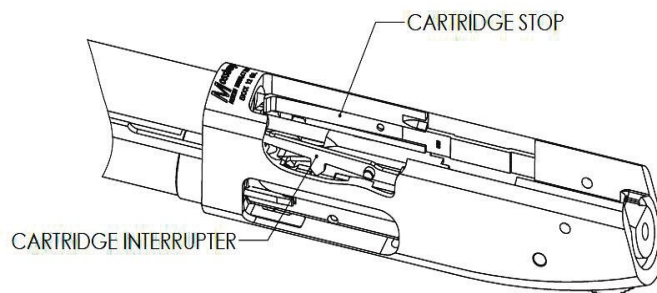
Assemble the bolt slide, lowering the front of the bolt slide first. The bolt slide protrusion fits into the corresponding cut on the bottom of the bolt lock, while the two protrusions on each side of the bolt slide fit into each action slide bar slot (Fig. 22-C).



**Fig. 22**

Position the cartridge stop and cartridge interrupter in their proper places on the inside walls of the receiver (Fig. 23).

The hooks must face inward toward the center of the cavity away from the receiver walls.



**Fig. 23**

### TRIGGER HOUSING ASSEMBLY INSTALLATION

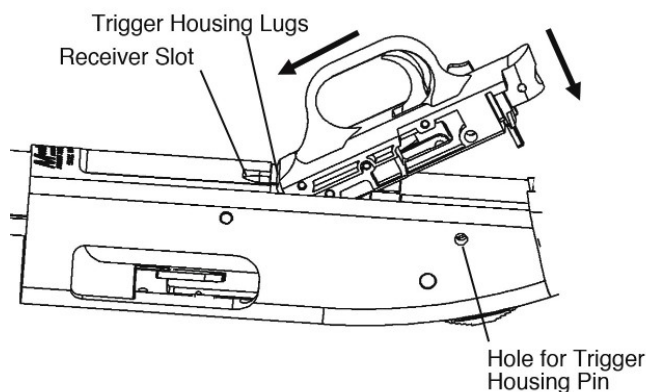
**NOTE:** Hammer must be in the fully-cocked position to allow the trigger housing to be inserted in the receiver.

Hold the cartridge stop and cartridge interrupter in place firmly against the receiver walls with one hand and grasp the trigger housing assembly with the other.

Insert the lugs on each side of the front corner of the trigger housing into the slots on each side of the receiver, then ease the rear of the housing assembly down and into position (Fig. 24). **DO NOT FORCE!**



Align the trigger pin hole in the housing assembly with those in the receiver. Insert the trigger housing pin and push in fully until flush with the side of the receiver (Fig. 24).



**Fig. 24**

**NOTE:** If the trigger housing does not fit into place easily, check that all internal trigger housing pins are flush with the side of the housing and that the cartridge interrupter and cartridge stop are positioned properly.

### **PISTOL GRIP INSTALLATION**



#### **BEFORE PERFORMING ANY DISASSEMBLY OR ASSEMBLY PROCEDURE:**

- a. Move the safety button fully rearward to the "ON" (SAFE) position and keep muzzle pointed in a safe direction.
- b. Open the action, visually and physically check chamber, elevator and magazine tube to be certain the firearm is unloaded.

Re-assemble the firearm as instructed in the Assembly section of this Owner's Manual.

Place the pistol grip against the receiver as seen in Figure 25.

With a 1/4" allen head wrench attach the pistol grip to the receiver by tightening the Socket Head Cap Screw as seen in Figure 26.



**Fig. 25**

**Fig. 26**



## RAPTOR GRIP INSTALLATION



### BEFORE PERFORMING ANY DISASSEMBLY OR ASSEMBLY PROCEDURE:

- a. Move the safety button fully rearward to the “ON” (SAFE) position and keep muzzle pointed in a safe direction.
- b. Open the action, visually and physically check chamber, elevator and magazine tube to be certain the firearm is unloaded.

Place the Raptor Grip against the receiver as seen in Figure 27.

With a 1/4” allen head wrench attach the Raptor Grip to the receiver by tightening the socket head cap screw as seen in Figure 28.

Insert the plug into the rear of the Raptor Grip as seen in Figure 29 until it is flush with the grip.



Fig. 27



Fig. 28



Fig. 29





## FUNCTION TESTING



AFTER PERFORMING ANY WORK ON YOUR FIREARM SUCH AS CLEANING, DISASSEMBLY OR INSTALLATION OF ANY ACCESSORY, CHECK YOUR FIREARM FOR PROPER FUNCTIONING BEFORE FIRING ANY LIVE AMMUNITION.

- a. Move the safety button fully rearward to the “ON” (SAFE) position and keep muzzle pointed in a safe direction.
- b. Open the action, visually and physically check chamber, elevator and magazine tube to be certain the firearm is unloaded.



KEEP THE MUZZLE POINTED IN A SAFE DIRECTION AT ALL TIMES THROUGHOUT THE FOLLOWING STEPS! FAILURE TO DO SO COULD RESULT IN SERIOUS INJURY OR DEATH IF THE FIREARM HAS NOT BEEN PROPERLY UNLOADED AND FIRES WHILE YOU ARE TESTING ITS FUNCTION!

Depress and hold the action lock lever. Open and close the action several times to check for free movement of the action assembly.

Close the action by moving the forearm fully forward and leave the safety button in the “ON” (SAFE) position. Pull the trigger rearward fully. The hammer should not fall (No Fire).

Remove your finger from the trigger. Move the safety button to the “OFF” (FIRE) position. The hammer should not fall (No Fire).

Leave the safety button in the “OFF” (FIRE) position.

Pull the trigger rearward. The hammer should fall (Fire).

Open the action by moving the forearm fully rearward. Move the safety button fully rearward to the “ON” (SAFE) position.



IF YOUR FIREARM DOES NOT PERFORM AS DESCRIBED IN ANY OF THE ABOVE STEPS, CONTACT THE FACTORY AUTHORIZED PRODUCT SERVICE CENTER IMMEDIATELY. DO NOT ATTEMPT TO USE THE FIREARM.



Firearms are complicated mechanisms. Any modification, alteration, or improper fitting of parts may result in a dangerous malfunction, damage to the firearm and could cause serious injury or death to you or those around you. The firearm’s owner must accept full responsibility for the correct reassembly and functioning of the firearm after any disassembly or replacement of parts.





## COMPACT CRUISER®



Do not use the folding handle alone to carry your firearm. The weight of the firearm may allow the action to close and point the firearm in an unsafe direction.



Before use, ensure that the folding handle is in the extended position (perpendicular to the barrel). Extend the handle by first depressing the spring loaded button on the right side of the grip and then rotate the handle into position (Figures 30 and 31).



Before use, ensure that the user's hand is firmly gripping the extended folding handle, with fingers wrapped around the handle and **inside** the fabric strap. Failure to keep hand inside the fabric strap can result in loss of grip and may result in personal injury.



Upon firing, recoil force will cause the firearm to move rearward and upward. Never hold the firearm at eye level and attempt to sight down the barrel. To avoid possible injury, firmly grip the extended folding handle, with fingers wrapped around the handle and inside the fabric strap and one hand on the pistol grip. Pistol grip models are designed to be held at waist level when firing.



**WARNING: SHOTGUN BARRELS LESS THAN 18"- ALL NFA RULES APPLY.** Shotguns and Firearms with smooth bore barrels that are less than 18" in length and have an overall length of less than 26" are restricted and classified under the National Firearms Act. Before making a Short Barreled Shotgun (SBS) or Any Other Weapon (AOW), a non-licensee or FFL who has not paid the Special Occupation Tax (SOT) is required to register any NFA firearm via an ATF Form 1 (5320.1) and pay the required \$200.00 tax (SBS) or a \$5.00 tax (AOW) prior to acquisition of the parts required to assemble such firearm.

This firearm, as delivered from the factory, is equipped with a pistol grip only. Replacing the pistol grip with a buttstock will change this firearm's NFA classification, and may result in a violation of NFA regulations unless the proper ATF forms are completed, and the tax is paid.

For more information about the National Firearms Act, visit [www.atf.gov](http://www.atf.gov).

For more information about the firearms that fall under the purview of the National Firearms Act, visit [www.atf.gov/firearms/firearms-guide-identification-firearms-within-purview-national-firearms-act](http://www.atf.gov/firearms/firearms-guide-identification-firearms-within-purview-national-firearms-act).



Fig. 30



Fig. 31





## 500® AND 590® SHOCKWAVE®



Do not use the fabric strap alone to carry your firearm. The weight of the firearm may allow the action to close and point the firearm in an unsafe direction.



Before use, ensure that the user's hand is firmly gripping the forearm, with fingers **inside** the fabric strap. Failure to keep hand inside the fabric strap can result in loss of grip and may result in personal injury.



Upon firing, recoil force will cause the firearm to move rearward and upward. Never hold the firearm at eye level and attempt to sight down the barrel. To avoid possible injury, firmly grip the forearm with fingers **inside** the fabric strap and one hand on the Raptor Grip. Raptor Grip models are designed to be held at waist level when firing.



**THIS FIREARM, AS DELIVERED FROM THE FACTORY, IS EQUIPPED WITH A SHOCKWAVE TECHNOLOGIES RAPTOR GRIP ONLY. REPLACING THE SHOCKWAVE TECHNOLOGIES RAPTOR GRIP WITH A BUTTSTOCK OR OTHER PISTOL GRIP MAY CHANGE THIS FIREARM'S ATF CLASSIFICATION, AND MAY RESULT IN A VIOLATION OF NFA REGULATIONS UNLESS THE PROPER ATF FORMS ARE COMPLETED, AND THE TAX IS PAID. ALSO, CHECK WITH YOUR LOCAL LICENSED RETAILER OR STATE POLICE FOR ADDITIONAL RESTRICTIONS THAT MAY BE IMPOSED BY STATE OR LOCAL LAW OR REGULATION ON FIREARMS OF THIS TYPE.**



Fig. 32



## SERVICE INSTRUCTIONS

Should your firearm or any component of your firearm require service, ship your entire firearm (please do not send components only), via your chosen carrier, postage paid (we do not accept C.O.D. shipments), following these instructions:

### Repairs in the U.S.

For faster repair service, please start the process by filling out our Service Request Form online at <http://www.mossberg.com/service> prior to shipping your firearm.



- **Make absolutely certain your firearm is unloaded.**
- **Do not send ammunition with your firearm.**
- Remove all accessories from your firearm such as scopes, slings, mounts, etc.
- Ship your firearm in a suitable container, packaging it securely to prevent parts from shifting and/or damage during shipping.
- Include a note with a clear description of the service you wish us to perform, your complete return shipping address (no P.O. boxes please), your daytime telephone number and your e-mail address (if available).
- It is advisable to place your correspondence inside your shipping container when shipping.

### SHIPPING ADDRESS

Mossberg Product Service Center  
1001 Industrial Blvd.  
Eagle Pass, TX 78852

If you have any service related questions, please contact the Product Service Center at (800) 363-3555 or [service@mossberg.com](mailto:service@mossberg.com)

### TO ORDER PARTS

To order parts from the Product Service Center, you can fax, phone, email, or mail your order to one of the below numbers/addresses.

Fax Number: (203) 230-5420  
Phone Number: (800) 363-3555  
E-mail Address: [service@mossberg.com](mailto:service@mossberg.com)  
Mailing Address: Mossberg Product Service Center  
1001 Industrial Blvd.  
Eagle Pass, TX 78852  
Attn: Order Department

Please provide your name, address, city, state, zip, your daytime phone number and e-mail (if available). The Product Service Center will need the Model #, Serial #, Gauge/Caliber, Finish, Item #, and Part Name. There is a \$7.50 (U.S.) minimum parts order charge. Most major credit cards, money orders, and bank drafts are accepted.

### Service outside of the U.S.A.

For Mossberg firearm parts and service requirements outside of the United States, customers are requested to contact the closest Mossberg stocking dealer/distributor.



**MOSSBERG® WARRANTY  
MOSSBERG 500® AND 590®  
TEN (10) YEAR LIMITED WARRANTY**

**Limited Warranty:** O.F. Mossberg & Sons, Inc. (“Mossberg”) warrants to you, the original retail purchaser of a new Mossberg 500® AND 590® firearm (the “Mossberg firearm”), that the Mossberg firearm will be free of defects in material or manufacture for a period of ten (10) years from the date of your purchase of the new Mossberg firearm (the “Warranty Period”) in the United States or Canada. This is the only express warranty on the Mossberg firearm. MOSSBERG MAKES NO OTHER WARRANTIES OF ANY KIND OR CONDITIONS, INCLUDING, BUT NOT LIMITED TO ANY IMPLIED WARRANTY OF MERCHANTABILITY OR FITNESS FOR A PARTICULAR PURPOSE. This Limited Warranty gives you specific legal rights, and you may have other rights that vary from State to State.

**Purchaser’s Remedy:** During the Warranty Period, Mossberg will, at its sole option, (1) repair the Mossberg firearm or any part thereof that, upon examination and testing by Mossberg, does not conform to the Limited Warranty without charge to you for parts or labor, or (2) replace the Mossberg firearm with a new or similar model. THIS REMEDY SHALL BE YOUR EXCLUSIVE AND SOLE REMEDY FOR ANY BREACH OF WARRANTY. MOSSBERG SHALL NOT BE RESPONSIBLE FOR ANY OTHER EXPENSES, LOSSES OR INCONVENIENCE THAT YOU MAY SUSTAIN AS A RESULT OF THE PURCHASE, USE, MALFUNCTION OR DEFECTIVE CONDITION OF THE MOSSBERG FIREARM. Mossberg reserves the right to inspect, examine and/or test the Mossberg firearm to assess any claim made under the Limited Warranty.

**EXCLUSIONS:** THIS WARRANTY DOES NOT COVER THE COSMETIC APPEARANCE OF THE MOSSBERG FIREARM OR ANY DAMAGE CAUSED BY:

- (1)
- (2) NORMAL WEAR AND TEAR;
- (3) FAILURE TO PERFORM PROPER CARE AND MAINTENANCE;
- (4) ACCIDENTS, ABUSE OR NEGLIGENCE;
- (5) BARREL OR BORE OBSTRUCTIONS;  
FAILURE TO FOLLOW THE INSTRUCTIONS AND WARNINGS THAT ACCOMPANY THE
- (6) MOSSBERG FIREARM; OR  
THE USE OF DEFECTIVE, NON-SAAMI STANDARD, REMANUFACTURED, HANDLOADED, AND/OR RELOADED AMMUNITION.

IN ADDITION, ANY UNAUTHORIZED REPAIRS, ALTERATIONS OR MODIFICATIONS TO THE MOSSBERG FIREARM WILL AUTOMATICALLY VOID THE LIMITED WARRANTY.

**LIMITATION OF DAMAGES:** EXCEPT WHERE PROHIBITED BY LAW, MOSSBERG WILL NOT BE LIABLE FOR ANY LOSS OR DAMAGE WHATSOEVER ARISING FROM THE USE OF THIS MOSSBERG FIREARM, WHETHER DIRECT, INDIRECT, SPECIAL, INCIDENTAL, CONSEQUENTIAL OR PUNITIVE, REGARDLESS OF THE LEGAL THEORY ASSERTED, INCLUDING CONTRACT, WARRANTY, NEGLIGENCE, OR STRICT LIABILITY. SOME JURISDICTIONS DO NOT ALLOW LIMITATIONS ON HOW LONG AN IMPLIED WARRANTY LASTS, OR THE EXCLUSION OF INCIDENTAL OR CONSEQUENTIAL DAMAGES, SO THE ABOVE LIMITATIONS MAY NOT APPLY TO YOU.

**Warranty Service:** To obtain service under this Limited Warranty, you must follow the instructions found in the “Service Instructions” section of the Owner’s Manual and return the Mossberg firearm to the authorized Product Service Center. You are responsible for all shipping costs to the Product Service Center. Mossberg will not accept COD shipments of any Mossberg firearm for service. After repair or replacement, the Mossberg firearm or a similar model will be returned to you, return postage paid by Mossberg. If we replace the Mossberg firearm, we will keep the firearm that you returned to Mossberg.

**Modification of Warranty:** No agent, representative, distributor, or authorized dealer of Mossberg firearms has any authority to modify the terms or conditions of the Limited Warranty in any way. The Limited Warranty may only be modified in writing by an authorized officer of Mossberg.

**THIS LIMITED WARRANTY IS EFFECTIVE SEPTEMBER 1, 2017.**







**NOTES**





**NOTES**

A large, empty rectangular box with a double-line border, intended for handwritten notes.



**NOTES**

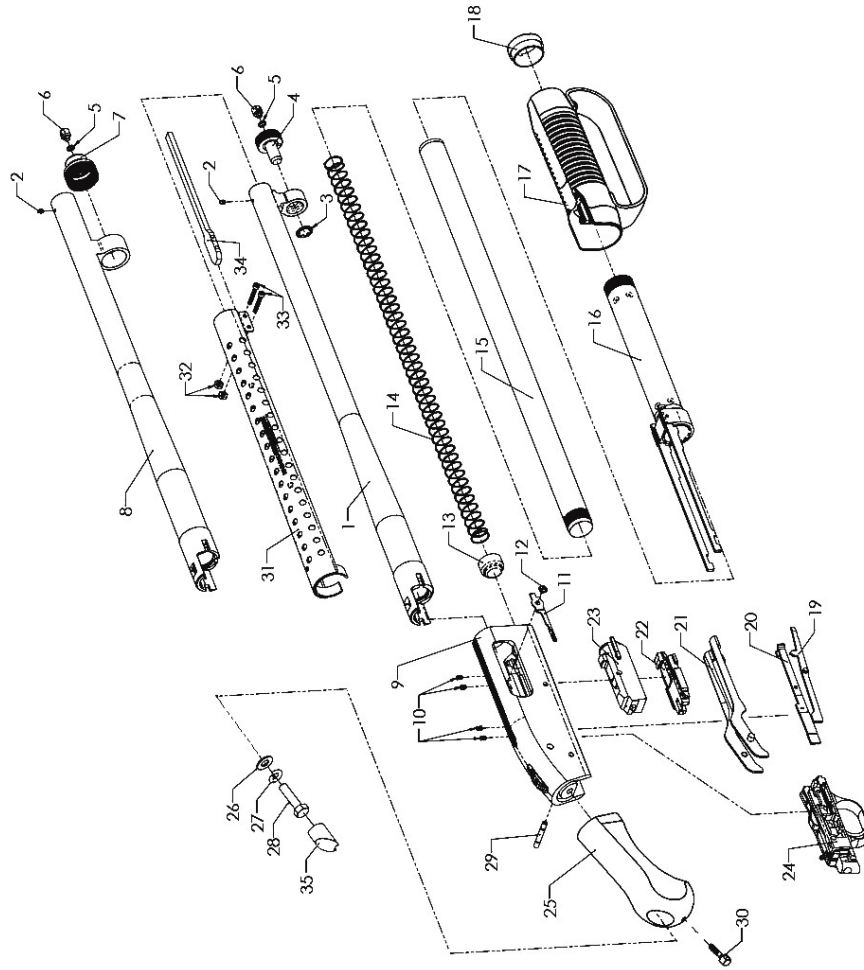
**SEE FOLLOWING PAGES  
FOR PARTS LISTS AND  
EXPLODED VIEWS.**

<b>EXPLODED VIEW PARTS LIST, COMPACT CRUISER®</b>		
<b>ITEM NO.</b>	<b>DESCRIPTION</b>	<b>ITEM NO. DESCRIPTION</b>
1	BARREL ASSEMBLY (MODEL 500®)	14 MAGAZINE TUBE
2	FRONT SIGHT	15 ACTION SLIDE ASSEMBLY
3	RETAINING RING	16 CARTRIDGE INTERRUPTER
4	TAKEDOWN SCREW (MODEL 500®)	17 CARTRIDGE STOP
5	RETAINING WASHER	18 ELEVATOR
6	FRONT SWIVEL STUD	19 BOLT SLIDE
7	MAGAZINE CAP (MODEL 590®)	*20 BOLT ASSEMBLY
8	BARREL ASSEMBLY (MODEL 590®)	*21 TRIGGER HOUSING ASSEMBLY
*9	RECEIVER	22 PISTOL GRIP
10	EJECTOR	23 FLAT WASHER
11	EJECTOR SCREW	24 LOCK WASHER
12	MAGAZINE FOLLOWER	25 BOLT, PISTOL GRIP
13	MAGAZINE SPRING	26 TRIGGER HOUSING PIN
*RESTRICTED ITEM		



EXPLODED VIEW PARTS LIST, SHOCKWAVE®		
ITEM NO.	DESCRIPTION	ITEM NO. DESCRIPTION
1	BARREL ASSEMBLY (MODEL 500®)	19 CARTRIDGE INTERRUPTER
2	FRONT SIGHT	20 CARTRIDGE STOP
3	RETAINING RING	21 ELEVATOR
4	TAKEDOWN SCREW (MODEL 500®)	22 BOLT SLIDE
5	RETAINING WASHER	*23 BOLT ASSEMBLY
6	FRONT SWIVEL STUD	*24 TRIGGER HOUSING ASSEMBLY
7	MAGAZINE CAP (MODEL 590®)	25 PISTOL GRIP
8	BARREL ASSEMBLY (MODEL 590®)	26 FLAT WASHER
*9	RECEIVER	27 LOCK WASHER
10		28 BOLT, PISTOL GRIP
11	EJECTOR	29 TRIGGER HOUSING PIN
12	EJECTOR SCREW	30 REAR SWIVEL STUD
13	MAGAZINE FOLLOWER	31 HEAT SHIELD
14	MAGAZINE SPRING	32 HEAT SHIELD NUTS
15	MAGAZINE TUBE	33 HEAT SHIELD SCREWS
16	ACTION SLIDE ASSEMBLY	34 HEAT SHIELD SPACER
17	CORNCOB FOREARM	35 PISTOL GRIP PLUG
18	ACTION SLIDE TUBE NUT	
*RESTRICTED ITEM		

# EXPLODED VIEW, 500® 590® SHOCKWAVE®



## **FIREARMS SAFETY DEPENDS ON YOU. MAKE NO MISTAKE ABOUT IT!**

From the time an individual picks up a firearm, that individual shooter becomes a part of a system over which he or she has complete control. He or she is the only part of the system that can make a gun safe – or unsafe. Hunting and target shooting are among the safest of all sports. This booklet is intended to make them even safer – by re-emphasizing and reaffirming the basics of safe gun handling and storage and by reminding each individual shooter that he or she is the key to firearms safety. You can help meet this responsibility by enrolling in hunter safety or shooting safety courses. You must constantly stress safety when handling firearms, especially to children and non-shooters. Newcomers in particular must be closely supervised when handling firearms with which they may not be acquainted. Don't be timid when it comes to gun safety. If you observe anyone violating any safety precautions, you have an obligation to suggest safer handling practices, such as those in this booklet. Please read these rules carefully and follow the safety procedures outlined. Firearms safety is up to you. Make no mistake about it.

- 1. ALWAYS KEEP THE MUZZLE POINTED IN A SAFE DIRECTION**
- 2. FIREARMS SHOULD BE UNLOADED WHEN NOT ACTUALLY IN USE**
- 3. DON'T RELY ON YOUR GUN'S "SAFETY"**
- 4. BE SURE OF YOUR TARGET AND WHAT'S BEYOND IT**
- 5. USE CORRECT AMMUNITION**
- 6. IF YOUR GUN FAILS TO FIRE WHEN THE TRIGGER IS PULLED, HANDLE WITH CARE**
- 7. ALWAYS WEAR EYE AND EAR PROTECTION WHEN SHOOTING**
- 8. BE SURE THE BARREL IS CLEAR OF OBSTRUCTIONS BEFORE SHOOTING**
- 9. DO NOT ALTER OR MODIFY YOUR GUN, AND HAVE GUNS SERVICED REGULARLY**
- 10. LEARN THE MECHANICAL AND HANDLING CHARACTERISTICS OF THE FIREARM YOU ARE USING**

*Courtesy of  
Sporting Arms and Ammunition Manufacturers' Institute, Inc.*