

SPRINGFIELD ARMORY®

SAINT®

OPERATION & SAFETY MANUAL

IMPORTANT SAFETY INFORMATION INSIDE

Read this manual before handling this firearm. Keep this manual with your firearm and review it before each use.

Do not allow others to handle or fire your firearm until they have read this manual.

Transfer this manual with the firearm upon ownership change.

THIS MANUAL IS FOR SAINT® FIREARMS ONLY.

Be a responsible firearm owner. Use it safely, store it securely, and always transfer a firearm responsibly and legally.

DOWNLOAD THIS MANUAL ON OUR WEBSITE: WWW.SPRINGFIELD-ARMORY.COM

Always check website for updated versions of operation & safety manuals

CONTENTS

Read and Understand this Manual.....	3
Know Your Firearm.....	4
Stabilizing Brace.....	6
Collapsible Stock	7
Safety Rules	8
Safety Device.....	14
Determining Firearm is Unloaded/Safe.....	15
Ammunition.....	16
Loading/ Preparing To Fire	18
Firing	19
Unloading.....	21
Malfunction Warning	22
Field Strip	24

NOTE: The information in this manual applies to all SAINT® models regardless of caliber unless otherwise noted.

Reassembly	32
SAINT ATC - Upper Handguard Removal	34
ATC Field Strip.....	35
Detailed Maintenance/Points of Lubrication	36
Accu-Tite™ System	37
Adjustable Gas Block	38
Rapid Takedown System (RTS™)	40
Folding Brace.....	42
Parts Diagram	44
Sight Adjustment.....	66
Cable Lock	67
Limited Warranty	68

If you have any questions concerning information in this manual, call Springfield's Consumer Safety Department at: (309) 944-5631 for assistance.

BEFORE LOADING AND FIRING THIS FIREARM, READ AND UNDERSTAND THE INFORMATION IN THIS MANUAL.

This is an auto loading firearm. It is immediately loaded and ready to fire again after each shot until all cartridges loaded in magazine have been fired. The firearm is able to fire both with and without the magazine in place. **REMOVING THE MAGAZINE DOES NOT UNLOAD THE FIREARM NOR DOES IT ENGAGE A SAFETY. THE FIREARM IS NOT UNLOADED UNTIL THE MAGAZINE IS REMOVED AND THE CHAMBER IS EMPTY.**

ABOUT YOUR OWNER'S MANUAL

This is an instruction booklet on how to operate this firearm with some basic safe handling rules. It does not attempt to provide information about using a firearm to defend yourself, how to hunt, or for competitive or target shooting. It is important to receive training from a competent firearms instructor prior to engaging in any of these activities. The National Rifle Association, your local or state authorities, or your firearm dealer may provide information regarding available instructors or training courses. If you have a license to carry concealed, never do so without prior instruction from a certified instructor. Using a firearm for self defense is a complex subject with dangers and risks for which you must be properly trained. Every safety rule has a reason behind it - read the rules carefully and understand why each is important for safety.

It is recommended that every person receive instructions from a competent firearms instructor before handling this or any other firearm.

Know and obey all firearms laws and regulations, which may vary from city to city and state to state. Do not give a firearm to someone who is not allowed to own a firearm or who may use it for a criminal purpose.

⚠ WARNING Altering your SAINT® firearm in any way could violate local, state or federal laws/regulations.

Used firearms

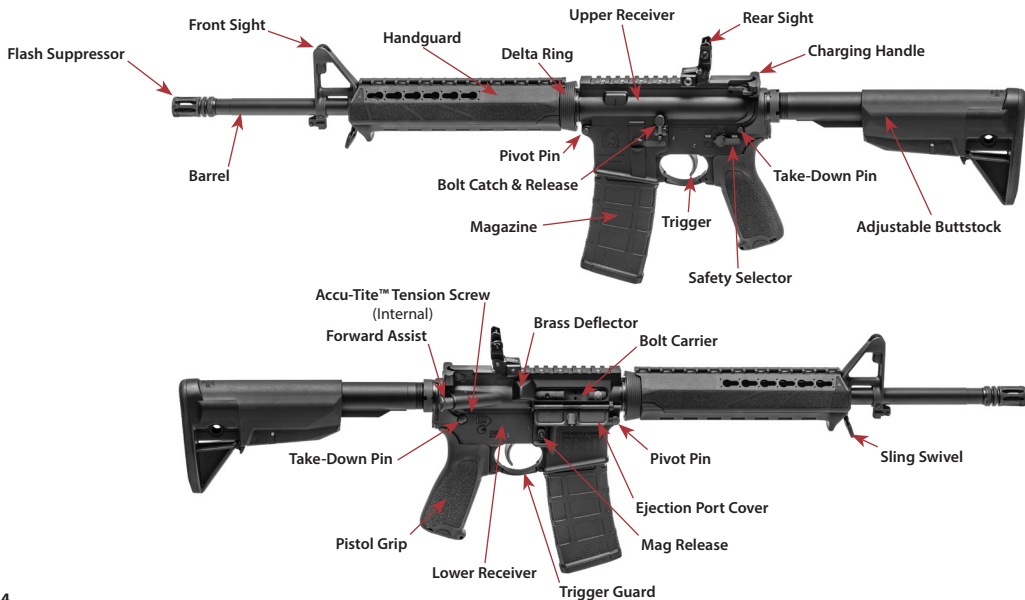
If you purchased this firearm as a used firearm, have it inspected and tested by a competent gunsmith before you use it. Guns are sometimes altered and may require repair before they can be used safely.

Store firearms safely in the home

Store firearms unloaded, locked and in a secure place. Obey firearm storage laws. Store firearms and ammunition separately. Because your children may be in other homes where firearms are stored, you should show them what to do if they see or find a firearm by showing them the Eddie Eagle video available from the NRA by calling (703) 267-1000.

OBEY ALL FIREARMS LAWS WHEN BUYING AND SELLING FIREARMS. NEVER BUY A GUN INTENDING TO TRANSFER IT TO SOMEONE WHO IS PROHIBITED FROM OWNING FIREARMS. NEVER, EVER BE A "STRAW PURCHASER."

KNOW YOUR FIREARM



KNOW YOUR FIREARM



SAINT® PISTOL

Your SAINT® Pistol operates in the same manner as the SAINT rifles. It's designed to be fired as a pistol and is configured with the SB Tactical Stabilizing Brace that makes one handed firing more accurate and stable. The components are the same or similar to the rifle although some are considerably shorter, such as the barrel and forend. **BE EXTREMELY AWARE OF THE MUZZLE.**



The SAINT® firearm, like all firearms, is a dangerous firearm if not handled properly. Never cover the muzzle with any part of your body.

STABILIZING BRACE

The SB Tactical SBX-K stabilizing brace attached to the SAINT® Pistol is designed to be used by inserting the hand through the brace, taking hold of the pistol grip and adjusting the Velcro strap for a stable, comfortable fit around the forearm (See Fig.1 & 2). The arm may then be extended to fire the pistol in the normal manner.

The Bureau of Alcohol, Tobacco, Firearms and Explosives (ATF) classifies braces such as the SB Tactical SBX-K pistol stabilizing brace as legal accessories to assist users in stabilizing a handgun while shooting with a single hand. The device is not considered a shoulder stock and therefore may be attached to a handgun as described by the manufacturer without being subject to the National Firearms Act.

WARNING: *Do not alter the stabilizing brace. ATF advises that the firearm would be redesigned as a rifle with a barrel under 16" under the NFA by:*

- *Configuring the brace so as to permanently affix it to the end of a buffer tube (thereby creating a length that has no other purpose than to facilitate its use as a stock),*
- *Removing the arm-strap, or*
- *Otherwise undermining its ability to be used as a brace, and then shooting the firearm from the shoulder.*

– ATF to SB Tactical, March 21, 2017.



Fig. 1

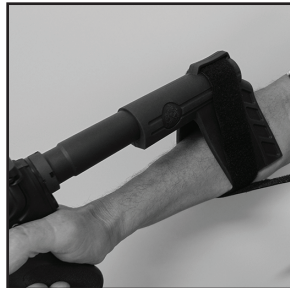


Fig. 2

COLLAPSIBLE STOCK ADJUSTMENT

Your SAINT® rifle may be equipped with an adjustable buttstock. If so, follow the procedure below to adjust the stock to one of six positions.

1. Remove magazine and unload firearm (See Page 21). Rotate the safety selector to the “SAFE” position (see page 14).

NOTE: On SAINT® models with GI trigger system, the safety selector can only be rotated when hammer is cocked.

2. **POINT GUN IN SAFE DIRECTION WHILE KEEPING FINGER OFF THE TRIGGER.**
3. Depress the latch lever (Figure 7) and slide the stock to the desired length, then ensure the latch is engaged by moving the stock back and forth.

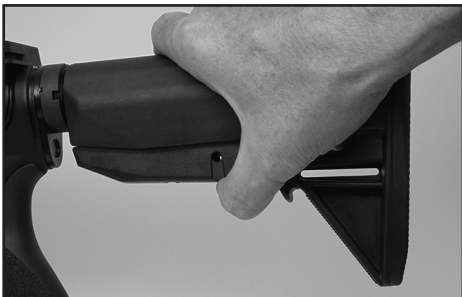


Figure 7 (Collapsed)



Figure 7 (Fully Extended)

SAFETY RULES

READ AND UNDERSTAND THESE SAFETY RULES

Be A Safe Shooter.

ACCIDENT (*ak' si dent*) N. 1. An unintentional or unexpected happening that is undesirable or unfortunate, especially one resulting in injury, damage, harm or loss.

Don't be the cause of an accident.

A responsible firearm owner is safety minded and always handles firearms in a safe manner by following the basic rules of safe shooting and by using common sense in the handling of a firearm.

Store firearms unloaded, locked, and in a secure place. Keep keys for locks separate from lock and in a secure place away from children. Keep firearms out of reach of children. You are responsible for children's safety.

Be A Responsible Gun Owner.

- **Treat all firearms as if they are loaded at all times.**
- Never point a firearm at any person or thing you do not intend to shoot.
- Keep your finger off the trigger until you are on target and have made the DECISION to fire.

- Be sure you have positively identified your target.
- **ALWAYS KEEP THE MUZZLE POINTED IN A SAFE DIRECTION.**
- **Do not drop your firearm.** Make sure you maintain control of your firearm at all times. **If it falls, it may fire.** If you do drop it, unload it and examine it to be sure it works correctly. Do not attempt to fire it again until you have completed this safety check.
- Never put your hand over the muzzle of the firearm.
- Keep your finger(s) off the trigger and out of the trigger guard until you are actually aiming at your target, and made the decision to fire.
- Under no circumstances should the owner/purchaser of this firearm allow it to come into possession of or be handled by small children or a mentally handicapped individual.
- **DO NOT COVER THE EJECTION PORT WITH YOUR HANDS WHEN LOADING/UNLOADING YOUR FIREARM.**

TREAT EVERY GUN AS IF IT IS LOADED ... ALL THE TIME.

BE A RESPONSIBLE FIREARM OWNER!

- Never rely on a firearm's "safety features" to protect you from unsafe firearm handling. A safety is only a mechanical device, not a substitute for common sense.
- Keep your finger off the trigger until you are on target and have made the DECISION to fire.
- Be sure of your target and backstop before you shoot. Ask yourself what your bullet will hit if it misses or goes through the target.
- Before shooting, be sure the barrel is clear of obstructions, including excessive oil and grease.
- Do not let water, snow, mud or other materials enter the barrel.
- Do not pull a firearm toward you by the muzzle.
- Always hold your firearm so you control the direction of its muzzle in case you fall or stumble.
- **ALWAYS KEEP THE MUZZLE POINTED IN A SAFE DIRECTION.**
- If anything does get into the barrel, remove cartridges, and clean bore immediately before attempting to shoot. Obstructed barrels can burst and injure you and/or bystanders.
- Maintain possession of your firearm at all times when you are on the firing range or during target practice. **DO NOT ALLOW OTHERS TO HANDLE YOUR FIREARM UNLESS THAT PERSON IS BEING INSTRUCTED OR TRAINED.**



The SAINT® firearm, like all firearms, is a dangerous firearm if not handled properly.

BE A SAFE FIREARM OWNER!

- **ALWAYS KEEP THE MUZZLE POINTED IN A SAFE DIRECTION.**
- Firearms and alcohol or drugs do not mix. Do not take them before or during shooting activities. Your vision, coordination and judgment could be impaired, making firearm handling unsafe.
- When taking medication, seek a doctor's advice to be sure you can operate and handle your firearm safely.
- Receive training from a competent firearms instructor before using any firearm.
- Before attempting to shoot, practice operations by using snap caps (dummy rounds). Become familiar with the safety features, trigger control, and handling of the firearm.
- Make sure you maintain control of your firearm at all times.
- **Always keep and carry your firearm with an empty chamber until you intend to shoot, so your firearm cannot be fired unintentionally.**
- Firearms should be unloaded when not in use. This means both the chamber and magazine are empty.
- When transferring a firearm by hand, always open the action and check to assure that it is unloaded prior to handing it over to someone.
- Never take anyone's word that a firearm is unloaded. When receiving a firearm, always open the action and check that it is unloaded.

BE A SAFE FIREARM OWNER!

- **Do not try to change your firearm's trigger pull, because alterations of trigger pull usually affect the fit of critical parts and might cause accidental firing.**
- Never use a firearm that jams or fails to function properly. Should this occur, return it to Springfield, Inc. for warranty/repair.
- If your shot sounds weak or underpowered, it could mean a bullet is in the chamber/bore. The gun should be immediately unloaded and the chamber/bore checked for obstructions before refiring.
- **DO NOT "HORSEPLAY"** with a firearm. Your firearm cannot think, but you can. Firearm safety depends on you.

IMPORTANT WARNING

There is no safe way to discharge a firearm in a home or apartment. Bullets will go through walls, floors, furniture, and appliances and still cause serious injury or death to persons in the house, next-door, or outside. Accidental discharges indoors ALWAYS result in property damage or personal injury.



WARNING: When you squeeze the trigger, you must expect the firearm to fire. You must take full responsibility for firing it. Your care can avoid accidental discharge and thereby avoid accidental injury and death.

READ THESE RULES!

- Load firearm only when on range preparing to fire. Unload it before leaving range.
- **Treat every firearm as if it is loaded ... all the time!**
- Load and unload with the firearm muzzle pointed in a safe direction.
- Be certain firearm is unloaded before cleaning.
- Completely unload your firearm before storing, travelling, standing it against an object, laying it down, entering a house, car, truck, boat, RV/camper, building, or handing it to someone.
- **Never leave a loaded firearm unattended.**
- Tragedy may result if a child finds your firearm and plays with it. Keep every firearm secure. Children do not understand firearms can kill.
- Store firearms and ammunition separately. Both should be placed beyond children's reach.
- Obey all laws regarding the storage and security of firearms in the home.
- Know and obey the laws regarding the transportation and carrying of firearms.
- **Old or reloaded ammunition may cause damage to the firearm and/or injure you or others. Use only clean, dry, original, high-quality, commercially manufactured ammunition. Using reloaded ammunition may void the warranty.**
- **ALWAYS REMEMBER, REMOVING THE MAGAZINE DOES NOT UNLOAD THE RIFLE NOR DOES IT ENGAGE A SAFETY.**
- **ALWAYS REMEMBER, THE FIREARM IS NOT UNLOADED UNTIL THE MAGAZINE IS REMOVED AND THE CHAMBER IS EMPTY.**
- **ALWAYS REMEMBER, THIS FIREARM IS ABLE TO FIRE WITH OR WITHOUT THE MAGAZINE IN PLACE.**

TREAT EVERY FIREARM AS IF IT IS LOADED ... ALL THE TIME!

- Many ammunition identifications sound similar. Make sure you use the right caliber/size ammunition in your firearm.
- If firearm fails to fire when the trigger is pulled, keep it pointed at the target for at least 30 seconds. Remove the magazine before opening the action. Remove the cartridge from the chamber. Sometimes slow primer ignition will cause a “hang fire” and the cartridge will go off after a short pause.
- When group firing, always appoint someone to maintain safety control. Obey his/her commands immediately and completely.
- While shooter is loading, firing, and unloading, spectators need to remain behind shooter.
- **Always wear protective glasses when shooting.**
- **Always wear hearing protection when shooting.**
- Never shoot at hard flat surfaces or water; bullets will ricochet unpredictably.
- **Do not alter or modify your firearm.**
- Have your firearm serviced regularly by a qualified gunsmith.
- Discharging firearms in poorly ventilated areas, cleaning firearms, or handling ammunition may result in exposure to lead and other substances known to cause birth defects, reproductive harm, cancer and other serious physical injury. Have adequate ventilation at all times. Wash hands thoroughly after firing your firearm, after cleaning your firearm, or whenever you have handled ammunition.
- Always use quality ammunition.
- **ALWAYS KEEP THE MUZZLE POINTED IN A SAFE DIRECTION.**



Safety and instruction manuals are available from Springfield, Inc.



Always wear eye and ear protection when using any firearm.

SAFETY DEVICE

The SAINT® is equipped with a safety selector located just above and to the rear of the trigger. Any time the firearm is loaded the safety selector should be moved to the “SAFE” position (Figure 14-1). To fire simply rotate the safety selector to the “FIRE” position (Figure 14-2). Return to the “SAFE” position after firing.

NOTE: On SAINT® models with GI trigger system, the safety selector can only be rotated when hammer is cocked.



Figure 14-1



Figure 14-2

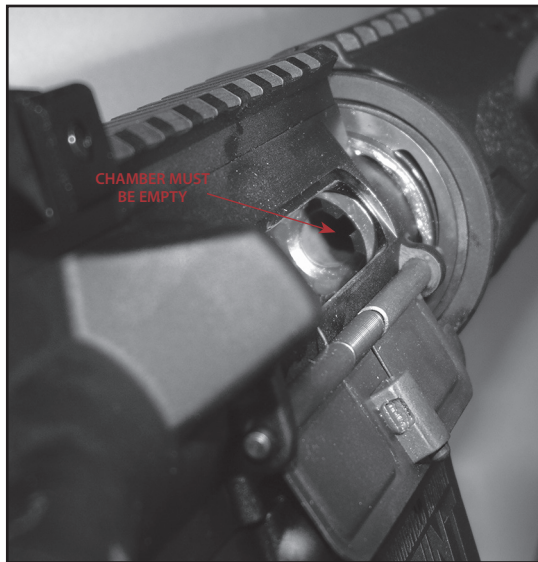
DETERMINE FIREARM IS UNLOADED/SAFE

Always make sure firearm is unloaded before handling.

1. **POINT FIREARM IN SAFE DIRECTION WHILE KEEPING YOUR FINGER OFF OF THE TRIGGER.**
2. Press magazine release button to remove magazine.
3. With finger off trigger fully retract charging handle.
4. From above right and rear, carefully inspect chamber to make sure it is empty.
5. Slowly lower charging handle.

When chamber is empty, rotate the safety selector to "SAFE" (see page 14) and close the ejection port cover.

 **Caution:** Do not cover the ejection port with your hand when firing your rifle.



Firearm is not empty or unloaded until the magazine is removed and the chamber is empty. To properly clear a firearm, remove the magazine, then pull charging handle back and check the chamber.

AMMUNITION

SAINT® firearms are offered in several caliber options. Locate the cartridge designation, for caliber, marked on the firearm's barrel. This information indicates the correct ammunition that must be used in your firearm (FIGURE 16-1). May be visible under forend on some models (FIGURE 16-2).

SAINT firearms are direct impingement gas operated firearms and as such rely on the amount of pressure of the gassed developed when the cartridge is fired.

SAINT firearms chambered in .300AAC Blackout are designed to operate with both subsonic and supersonic ammunition under the proper conditions:

Supersonic ammunition will operate equally well when fired with or without a sound suppressor. Most subsonic ammunition is designed to be fired suppressed and may not function reliably in semi-auto firearms without a sound suppressor.

The SAINT is designed to reliably function with subsonic ammunition when a sound suppressor is attached. Firing subsonic ammunition without a sound suppressor may not reliably function in the SAINT.


NOTE: If your SAINT® rifle/pistol is chambered in 5.56 NATO, it will fire both 5.56 NATO and .223 Remington ammunition.

You are responsible for selecting ammunition that meets industry standards and is appropriate in type and caliber for this firearm (See Page 12).

Never mix ammunition.

 **Warning!** Never use ammunition not specifically designated for use in your firearm. Failure to use the correct type or caliber of ammunition may cause the firearm to jam, or fail to fire, or may generate excessive pressure which can damage or even rupture your firearm, causing personal injury or death to the shooter or bystanders.

 **Warning!** Always inspect your ammunition before using it. Never use dirty, corroded or damaged ammunition. A burst cartridge may result, causing damage to the firearm and personal injury or death to the shooter or bystanders.

 **Warning!** In some cases, a round of ammunition not specified on your firearm and not listed as alternate ammunition in this manual, may fit into the chamber. Firing this ammunition may cause a rupture resulting in damage to the firearm and personal injury or death to the shooter or bystanders. For more information regarding usage of caliber combination, refer to: www.SAAMI.org

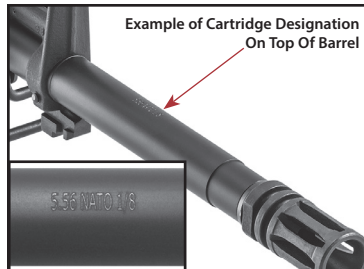


Figure 16-1

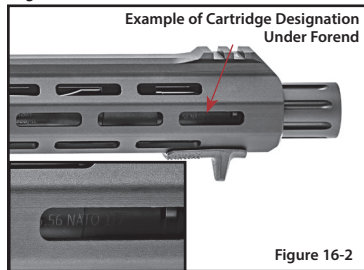


Figure 16-2

AMMUNITION

A firearm and ammunition are a system and must work together. There are different types of ammunition for different types of firearms. Your firearm has been designed for ammunition of a specific type and a specific gauge or caliber. It is important to select the proper ammunition for your firearm.

Different combinations of bullet velocity, bullet weight and firearm weight can have major impact on felt recoil; high felt recoil can be uncomfortable to some shooters.

CAUTION: Use of ammunition manufactured with corrosive primers in this firearm is not recommended and will cause oxidation to develop on any metal parts of the firearm. To prevent such oxidation, the residue from corrosive primers must be completely removed from all metal parts after each time ammunition with corrosive primers is used in this firearm. Conventional oil or solvent-based firearm cleaners WILL NOT dissolve the residue from corrosive

primers. Residue from corrosive primers MUST be completely dissolved with a water-based cleaner. After the corrosive residue has been completely dissolved from all metal parts, remove any excess water-based cleaner from the firearm. Finally, lubricate the firearm as instructed in the Safety and Instruction Manual. Failure to follow these instructions will cause damage to the firearm and may affect the ability of the firearm to function properly.

Check with the ammunition manufacturer or a qualified gunsmith if you are unsure whether the particular ammunition you plan to use in this firearm has been manufactured with corrosive primers. If in doubt, follow all the instructions above to prevent oxidation caused by ammunition manufactured with corrosive primers.

Ammunition manufactured by SAAMI member companies does not have corrosive primers.

LOADING/PREPARING TO FIRE



Always wear eye and ear protection when using any firearm.

1. Place the **EMPTY** magazine in the magazine well, located in bottom of firearm. Make sure the magazine is **EMPTY** or you will inadvertently load the firearm. Push firmly enough on bottom of magazine to make sure it is properly seated. A distinctive “click” will confirm the magazine has been properly inserted. Pull the charging handle completely to the rear until the bolt carrier locks back. Return the charging handle to the latched position and rotate the safety selector to “SAFE” (see page 14).
2. Depress magazine release and remove magazine (Figure 18-1).

NOTE: Alternative method without using an empty magazine. Depress lower position of bolt stop while retracting charging handle to lock bolt carrier to the rear.

3. Ensure that you are using the proper caliber ammunition for your firearm. Place rim of first cartridge on top of follower (Figure 18-2) then push the cartridge down on the follower until the lips capture the round (Figure 18-3). Load successive rounds by pushing cartridge down on previously loaded cartridge. Use only clean, dry, original, high quality, commercially manufactured ammunition. Using reloaded ammunition may void warranty.
4. **POINT FIREARM IN A SAFE DIRECTION AND KEEP FINGER OFF TRIGGER.** Re-insert **LOADED** magazine into magazine well, located in bottom of firearm. Push firmly

enough on bottom of magazine to make sure it is properly seated.



Caution: Do not slam or forcefully jam magazine into magazine well.

5. Charge the firearm by firmly pulling the charging handle to the rear and releasing it. The bolt carrier group will thrust forward and load a cartridge into the chamber. Or depress bolt catch to release BCG forward.
6. Rotate the safety selector to “SAFE” (see pg 14) if not there already.
7. **The firearm is now loaded and ready to fire.**



Caution: Never load cartridge by hand directly into the chamber.

WARNING: Never touch the trigger when loading or unloading the firearm.



Figure 18-1



Figure 18-2



Figure 18-3

FIRING



Always wear eye and ear protection when using any firearm.

If you have never fired a firearm before, follow the sequence of operations shown here without ammunition or with snap caps.

Then load only **one** cartridge into the magazine for your first live ammunition firing.

1. **POINT FIREARM IN A SAFE DIRECTION WHILE KEEPING YOUR FINGER OFF OF THE TRIGGER.**
2. Load cartridge into chamber from magazine following the procedure described on page 18. Rotate safety selector to "SAFE" (see page 14) if not there already.
3. Grasp grip of firearm firmly. **(Place buttstock against shoulder.)**

CAUTION: THE FIREARM IS NOW READY TO FIRE. BE PREPARED FOR NOISE AND RECOIL WHEN FIREARM FIRES.

4. Aim firearm at target by aligning sights. Rotate safety selector to "Fire" (see page 14).



Safety and instruction manuals are available from Springfield, Inc.

Point firearm in a safe direction at all times.

5. Now lightly place finger on trigger, and slowly squeeze trigger to fire the firearm. Spent cartridge is expelled up and to the right.

NOTE: This is an auto loading firearm. It is immediately loaded and ready to fire again after each shot until all cartridges loaded in magazine have been fired. The firearm is able to fire both with and without the magazine in place.

6. Rifle will automatically be ready to fire again after each shot until all cartridges loaded in magazine have been fired.

REMOVING THE MAGAZINE DOES NOT UNLOAD THIS FIREARM NOR DOES IT ENGAGE A SAFETY. THIS FIREARM IS NOT UNLOADED UNTIL THE MAGAZINE IS REMOVED AND THE CHAMBER IS EMPTY.



WARNING: Loading the SAINT® by manually inserting a round in the chamber is improper and could cause accidental discharge, possible damage to the firearm or personal injury. Always load the firearm using the magazine. When loading the firearm, always point the muzzle in a safe direction.

FIRING

POINT FIREARM IN SAFE DIRECTION WHILE KEEPING YOUR FINGER OFF OF THE TRIGGER.

7. When last cartridge has been fired, the bolt catch is automatically engaged and the bolt carrier group is locked open: (See Figure 20)
8. Put safety selector on "SAFE" (see page 14).
9. Press magazine release button to remove magazine.
10. From above right and rear, carefully inspect chamber to make sure it is empty.



CAUTION: Do not cover the ejection port with your hand when firing your rifle/pistol.

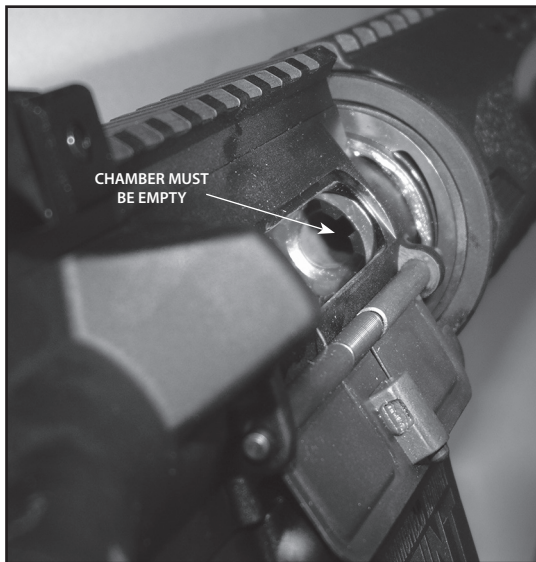



Figure 20



Firearm is not empty or unloaded until the magazine is removed and the chamber is empty. To properly clear a firearm, remove the magazine, then pull charging handle back and check the chamber.

UNLOADING

1. Rotate safety selector to "SAFE" position (see page 14).
2. While pointing the muzzle in a safe direction, remove the magazine by depressing the magazine release and pulling the magazine out (Figure 21-1).
3. With your finger off trigger fully retract charging handle, ejecting cartridge.
4. Release/lower charging handle.
5. Press lower position of bolt catch (Figure 21-2). Retract charging handle to lock back to rearward position.
6. Push charging handle in closed position.
7. Re-inspect chamber to insure firearm is unloaded. Insert chamber flag, retract charging handle and slowly lower. Push charging handle in closed position.

 **CAUTION:** Step 3 is a crucial part of the unloading process. Do not depend on the fact that no casing was ejected on clearing. There could still be a live round in the chamber for any number of reasons. Make certain that you inspect the chamber to make sure that it is clear.



WARNING

Never touch the trigger when loading or unloading the firearm.



Figure 21-1



Figure 21-2

MALFUNCTION WARNING!

If cartridge hangs up, jams or binds when being chambered from magazine into chamber, do not attempt to force it into the chamber by pushing.

DO NOT COVER THE EJECTION PORT WITH YOUR HANDS WHEN LOADING/UNLOADING YOUR FIREARM.

1. What to do:

- **Point firearm in a safe direction while keeping your finger off of the trigger.**
- Remove magazine.
- Pull back on charging handle and allow cartridge to fall from firearm.
- Do not cover the ejection port with your hands when loading / unloading your firearm.
- If cartridge does not fall free, pull charging handle back and lock it in the rear position.
- Carefully dislodge cartridge.
- If cartridge cannot be removed, lock bolt carrier back, carefully store your firearm and magazines and take it to a competent gunsmith or call Springfield Armory® customer service.

2. Most failures to feed or chamber a cartridge are the result of a damaged magazine, improper firearm handling or defective ammunition.

3. Whatever the cause, a jammed cartridge can be a dangerous situation.

If you have any questions concerning information in this manual, call Springfield's Consumer Safety Department at 800-680-6866 for assistance.



Always wear eye and ear protection when using any firearm.



Safety and instruction manuals are available from Springfield, Inc.



WARNING

**Always have firearm pointed in a safe direction.
Failure to obey safety information may result in injury to you or others.**

TO ELIMINATE MALFUNCTIONS

- First try changing type/brand of ammunition and/or magazine.
- If changing to another type/brand of ammunition and/or magazine does not at once result in smooth feeding of cartridges from magazine to chamber, the following steps should be taken:
 - Magazine should be removed first. Check chamber to be sure it and magazine well are clear of cartridges.
 - Thoroughly clean magazine, paying particular attention to removing accumulated residue.
 - Thoroughly clean breech mechanism of firearm. Use a bristle brush and solvent to remove residue and fouling from breech face, extractor, chamber and feed ramp. (See **Detailed Maintenance and Cleaning** section for detailed instruction).
- Check that magazine spring tension is adequate; the spring should hold the follower tightly against the lips of the magazine.
- Check that magazine lips are free of nicks and burrs and are not deformed.
- Remove excess oil and solvent from all cleaned components, load magazine and try firearm again.



WARNING An obstructed, cracked or damaged barrel should never be used and the firearm should be returned to Springfield for inspection.

FIELD STRIPPING & CLEANING

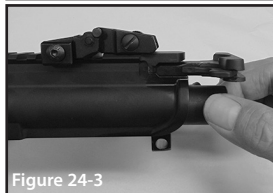
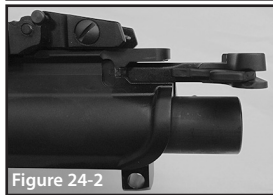
NOTE: FIELD STRIPPING PROCEDURES ON THE SAINT® ARE THE SAME REGARDLESS OF CALIBER with the exception of the SAINT PDW which requires a different technique (see page 25).

Before performing any cleaning or maintenance, make sure the firearm is completely unloaded (this includes the magazine and chamber).

ALWAYS REMEMBER THE FIREARM IS ABLE TO FIRE WITH OR WITHOUT THE MAGAZINE IN PLACE.

1. **Always use proper eye protection when cleaning firearms.**
2. **POINT GUN IN SAFE DIRECTION WHILE KEEPING FINGER OFF THE TRIGGER.**
3. Remove magazine and unload firearm.
4. Fully retract the charging handle then release to completely close the bolt.
5. Rotate safety selector to "SAFE" position (See Page 14).
6. Depress the take down pin located just above and to the rear of the safety/selector on the left side of the receiver.
7. From the right side of the receiver pull the pin outward until the mechanical stop prevents further movement.
8. The lower receiver can now pivot downward and away from the upper receiver. Rotate the rifle/pistol until the upper and lower receivers are both at a 45 degree angle (Figure 24-1).
9. Unlatch and retract the charging handle approximately 1" exposing the rear of the bolt carrier (Figure 24-2). Grasp the rear of the carrier and pull it rearward until free of the receiver (Figure 24-3).

24 The rifle is now field stripped for routine cleaning.



FIELD STRIPPING & CLEANING THE SAINT® PDW

The SAINT PDW, because of its unique design, requires a slightly different field stripping procedure. Note that the buffer is not contained by a buffer retainer as are most other SAINT models. The PDW does not require this feature.

Always use proper eye protection when cleaning firearms. POINT GUN IN SAFE DIRECTION WHILE KEEPING FINGER OFF THE TRIGGER.

1. Remove magazine and unload firearm (see page 21).
2. Extend the brace to its rearward most position.
3. Fully retract the charging handle then release to completely close the bolt.
4. Rotate safety selector to "SAFE" position (see page 14).
5. Depress the take down pin located just above and to the rear of the safety selector on the left side of the receiver (see page 29). From the right side of the receiver pull the pin outward until the mechanical stop prevents further movement (see page 29).
6. Grasp the upper and lower receivers to prevent separation (Figure 25-1).
7. Depress the pivot pin located just below the bottom rear of the forend (see page 29) on the left side of the receiver. From the right side of the receiver, pull the pin outward until the mechanical stop prevents further movement (see page 29).
8. Carefully lift the upper receiver from the lower with an upward and forward motion, understanding that, the buffer spring is under slight pressure and remove the upper receiver assembly (Figure 25-2).
9. Remove the buffer and spring from the lower receiver, noting the orientation of the buffer. (Figure 25-3)
10. Remove the charging handle and bolt carrier from the upper receiver as described on page 24.

The PDW is now field stripped for routine cleaning.

Reassembly is the reverse of the above procedure.



Figure 25-1



Figure 25-2



Figure 25-3

FIELD STRIPPING & CLEANING

BOLT CARRIER GROUP (BCG) CAN BE EASILY DISASSEMBLED FOR MORE DETAILED CLEANING IF NEEDED.

10. Press the bolt into the carrier until it is fully seated (Figure 26-1).
11. Remove the firing pin retaining pin, the firing pin can now be withdrawn rearward from the carrier (Figure 26-2).
12. Remove the bolt cam pin by rotating the pin 90 degrees and remove. The bolt can now be removed from the front of the carrier (Figure 26-3).

NOTE: We do not advise extractor removal unless you are experiencing extractor issues.

13. If extractor removal is desired, use a suitable punch to press the extractor pin from the bolt. Maintain control of the extractor spring, extractor insert and O-ring (Figure 26-4).

BCG disassembly is now complete.

Clean all parts with a quality powder solvent, rinse, dry and inspect. Lightly lubricate the bolt, wipe away any excess lubricant.

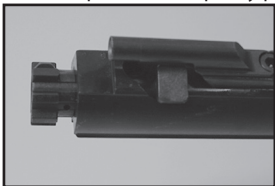


Figure 26-1

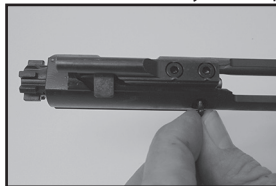


Figure 26-2

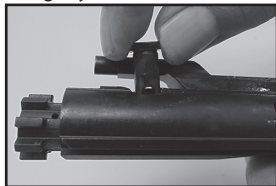


Figure 26-3

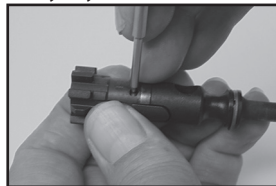


Figure 26-4



If you decide to disassemble your Springfield Armory® firearm, do so properly. Improper disassembly and/or assembly will create unsafe conditions that could result in injury or death, or a firearm that simply will not work. Don't take chances. Do not attempt to disassemble this or any other firearm until you have received training and instructions from a competent gunsmith.

FIELD STRIPPING & CLEANING

REASSEMBLY OF THE BOLT CARRIER GROUP (BCG)

14. Verify that the three bolt rings are installed so that the gaps **do not line up**, but are evenly spaced about 120 degrees (Figure 27-1).
15. Insert the bolt into the carrier with the extractor located on the right side of the carrier (Figure 27-2).
16. Insert the cam pin and rotate 90 degrees and reinstall the firing pin (Figure 27-3).
17. Install the firing pin retaining pin from the left side of the carrier (Figure 27-4). Confirm that the firing pin is retained. BCG reassembly is now complete.



WARNING

Make certain to re-install the cam pin in the BCG. The firearm can fire without cam pin and this creates a catastrophic **EXTREMELY** hazardous condition, that could cause property damage, personal injury or death.

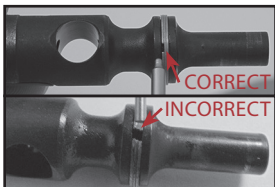


Figure 27-1



Figure 27-2

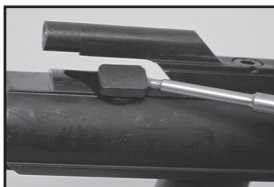


Figure 27-3

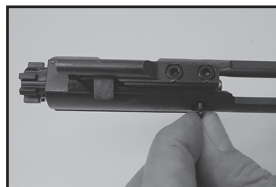


Figure 27-4



WARNING

If you decide to disassemble your Springfield Armory® firearm, do so properly. Improper disassembly and/or assembly will create unsafe conditions that could result in injury or death, or a firearm that simply will not work. Don't take chances. Do not attempt to disassemble this or any other firearm until you have received training and instructions from a competent gunsmith.

FIELD STRIPPING & CLEANING

18. Clean the barrel bore and chamber with a quality bore solvent following the manufacturer's instructions.
19. Use a quality powder solvent to clean the carrier way (tunnel) of the upper receiver and lightly lubricate.
It's not necessary or recommended to remove the trigger action components from the lower receiver to clean.
20. Brush or wipe away excessive fouling. Using a quality aerosol cleaning product is a simple method to clean the lower receiver. Follow the manufacturer's instructions.
21. Lightly oil all exposed metal surfaces of the BCG, upper receiver carrier way and trigger action components of the lower receiver. Wipe away any excessive lubricant.
22. Retract the charging handle about 3". Reinstall the BCG (the bolt must be fully forward in the carrier). Push the BCG fully forward, the rear of the carrier must be flush with the rear of the upper receiver. Close the receiver, press the take-down pin home. The rifle is now ready for service.



Make certain to re-install the cam pin in the BCG. The firearm can fire without cam pin and this creates a catastrophic **EXTREMELY** hazardous condition, that could cause property damage, personal injury or death.



If you decide to disassemble your Springfield Armory® firearm, do so properly. Improper disassembly and/or assembly will create unsafe conditions that could result in injury or death, or a firearm that simply will not work. Don't take chances. Do not attempt to disassemble this or any other firearm until you have received training and instructions from a competent gunsmith.

FIELD STRIPPING & CLEANING

AN ALTERNATE METHOD CAN BE USED TO COMPLETELY SEPARATE THE UPPER FROM THE LOWER RECEIVER.

1. **Always use proper eye protection when cleaning firearms.**
2. **POINT GUN IN SAFE DIRECTION WHILE KEEPING FINGER OFF THE TRIGGER.**
3. Remove magazine and unload firearm.
4. Fully retract the charging handle then release to completely close the bolt.
5. Rotate safety selector to "SAFE" position (See Page 14).
6. Depress the take down pin located just above and to the rear of the safety selector on the left side of the receiver (Figure 29-1).
7. Depress the pivot pin located just below the delta ring (Figure 29-1) on the left side of the receiver. From the right side of the receiver pull the pin outward until the mechanical stop prevents further movement (Figure 29-2).
8. The two receivers can now be separated.



Figure 29-1



Figure 29-2



If you decide to disassemble your Springfield Armory® firearm, do so properly. Improper disassembly and/or assembly will create unsafe conditions that could result in injury or death, or a firearm that simply will not work. Don't take chances. Do not attempt to disassemble this or any other firearm until you have received training and instructions from a competent gunsmith.

FIELD STRIPPING & CLEANING

HANDGUARD/FOREND REMOVAL

NOTE: HANDGUARD/FOREND REMOVAL IS NOT NECESSARY FOR ROUTINE CLEANING.

1. **POINT GUN IN SAFE DIRECTION WHILE KEEPING FINGER OFF THE TRIGGER.**
2. Remove magazine and unload firearm. Rotate the safety selector to the "SAFE" position.
3. Retract the delta ring which will allow removal of the upper or lower section of the handguard/forend (Figure 30-1). Repeat procedure for the remaining handguard/forend sections.

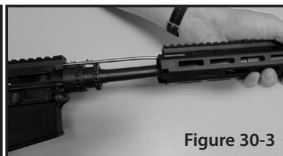


FREE FLOAT HANDGUARD/FOREND REMOVAL

NOTE: HANDGUARD/FOREND REMOVAL IS NOT NECESSARY FOR ROUTINE CLEANING.

SAINT® models with free float handguard/forend use Springfield Armory®'s patent pending free float handguard/forend system. The system consist of a unique barrel nut, handguard/forend, two locking tabs and four 8/32 T-20 Torx screws.

1. **POINT GUN IN SAFE DIRECTION WHILE KEEPING FINGER OFF THE TRIGGER.**
2. Remove magazine and unload firearm. Rotate the safety selector to the "SAFE" position.
3. Remove the four T-20 Torx screws with the proper tool and remove the tab (Figure 30-2). The handguard/forend can now be removed by sliding the handguard/forend forward and off the barrel nut (Figure 30-3). Reassembly is reverse of the above steps. Align top rail of receiver and handguard/forend. Tighten tab screws to 40-45 in-lb.



If you decide to disassemble your Springfield Armory® firearm, do so properly. Improper disassembly and/or assembly will create unsafe conditions that could result in injury or death, or a firearm that simply will not work. Don't take chances. Do not attempt to disassemble this or any other firearm until you have received training and instructions from a competent gunsmith.

FIELD STRIPPING & CLEANING

REMOVING THE BUFFER AND SPRING

ALL MODELS EXCEPT FOR PDW (SEE PAGE 25)

1. **Routine cleaning does not usually require removal of the buffer and buffer spring.**
2. **POINT GUN IN SAFE DIRECTION WHILE KEEPING FINGER OFF THE TRIGGER.**
3. Remove magazine and unload firearm. Rotate the safety selector to the “SAFE” position.
4. Separate the upper and lower receivers as described on page 22.
5. Slightly depress the buffer (Figure 31-1) noting that it is under spring tension, depress the buffer retainer and allow the buffer and spring to be removed from the receiver extension (Figure 31-2).
6. Inspect and clean the buffer, spring and receiver extension bore as needed with powder solvent. Wipe dry and lightly lubricate the buffer and bore of tube. Wipe away any excess lube.

Field stripping and cleaning is now complete.

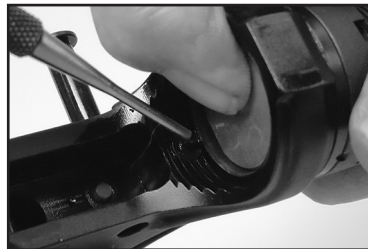


Figure 31-1

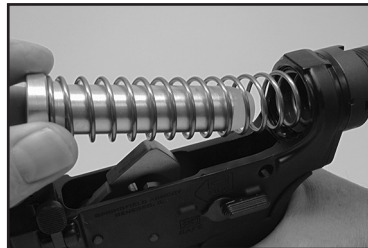


Figure 31-2



If you decide to disassemble your Springfield Armory® firearm, do so properly. Improper disassembly and/or assembly will create unsafe conditions that could result in injury or death, or a firearm that simply will not work. Don't take chances. Do not attempt to disassemble this or any other firearm until you have received training and instructions from a competent gunsmith.

REASSEMBLY

NOTE: REASSEMBLY PROCEDURES ON THE SAINT® ARE THE SAME REGARDLESS OF CALIBER.



Caution: Never allow live ammunition in the area while you are maintaining your firearms.

Reassembly is achieved by reversing the order of the disassembly steps. Some items to keep in mind during the reassembly are:

1. When reinstalling the buffer and buffer spring, push the buffer fully into the buffer tube, passing the buffer detent to ensure that it is fully captured by the detent.
2. **DO NOT FORGET THE CAM PIN.** The rifle may chamber a round and fire without the cam pin, but that shot could lead to catastrophic failure of the weapon.



WARNING

Make certain to re-install the cam pin in the BCG. The firearm can fire without cam pin and this creates a catastrophic **EXTREMELY** hazardous condition, that could cause property damage, personal injury or death.

SAINT ATC

The Springfield ATC rifle is configured with a unique lower receiver system that incorporates an integral handguard system and a fully free-floating barrel group. The upper handguard is removable.

Always make sure firearm is unloaded before handling.

UPPER HANDGUARD REMOVAL

POINT FIREARM IN A SAFE DIRECTION WHILE KEEPING YOUR FINGER OFF THE TRIGGER.

1. Unload the firearm (see page 21).
2. Using an 1/8" hex key loosen the handguard tensioning screw that is accessible from the bottom of the handguard 1/2 turn (Figure 34-1).
3. Retract the tab on the bottom of the handguard to unlock the upper handguard and slide the handguard forward off the receiver (Figure 34-2).
4. Installation is the reverse of the above procedures.
5. Tighten the tensioning screw as desired. **DO NOT OVER TIGHTEN.**



Figure 34-1



Figure 34-2

FIELD STRIPPING SAINT ATC

NOTE: The SAINT ATC, because of its unique design, requires a slightly different field stripping procedure.

Field stripping the ATC is the same as the SAINT (see page 24) with the following exceptions:

There are two tensioning screws in the bottom of the lower receiver they must be loosened 1/2 turn, with an 1/8" hex key before the take down pins can be manipulated (Figure 35-1).

The rear screw is accessed through the pistol grip (Figure 35-2).

Upon reassembly, these screws should be "snugged" to tension the upper receiver. Do not over tighten, maximum torque is 15-25 in lb.


 **WARNING** If you decide to disassemble your Springfield Armory® firearm, do so properly. Improper disassembly and or assembly will create unsafe conditions that could result in injury or death, or a firearm that simply will not work. Don't take chances. Do not attempt to disassemble this or any other firearm until you have received training and instructions from a competent gunsmith.



Figure 35-1



Figure 35-2

DETAILED MAINTENANCE

Detailed maintenance should be performed every 2,000 rounds.

1. Check to make sure firearm is not loaded.
2. Field strip the firearm as detailed on page 24.
3. Scrub the bolt (including the extractor) with a nylon brush dipped in solvent. Pay particular attention to removing build up of any type in the extractor groove. Wipe away any remaining solvent with a rag or cloth.
4. Scrub the bolt carrier, firing pin and the interior of the upper receiver with a nylon brush dipped in cleaning solvent.
5. Clean the firing pin hole and firing pin cavity of the bolt with a pipe cleaner.
6. Wipe away any remaining solvent thoroughly with a rag.
7. Apply a moderate coat of lubricant to the cavity on the carrier into which the bolt is installed.

LUBRICATION POINTS

1. Bolt carrier body and cam pin, especially along the runners on the bottom of the carrier and the bosses on the rear. Place two drops of lubrication into cam pin slot.
2. Inside of the upper receiver.
3. Outside of the long, thin section of the charging handle.
4. Take down pins.

ACCU-TITE™ SYSTEM



Always wear eye and ear protection when using any firearm.

Your SAINT® rifle/pistol is equipped with an Accu-Tite™ system, a nylon tip tension screw located in the lower receiver. The Accu-Tite™ is designed to adjust the tension between the upper and lower receivers. Adjusting the tension controls unwanted movement or play between the upper and lower receivers to achieve the full accuracy potential of your firearm.

To adjust the Accu-Tite™ tension you first need to remove your pistol grip.

1. Using a 3/16 Allen wrench, unscrew the pistol grip screw located inside the pistol grip (Figure 37-1). Pull pistol grip away from the lower receiver. Note the orientation of the safety spring and safety plunger (Figure 37-2).

CAUTION: When the pistol grip screw is removed, the selector spring and selector plunger may fall free. These parts are the detent for the safety selector, be careful not to lose them.

2. The Accu-Tite™ tension screw is located on the bottom of the lower receiver.

NOTE: The Accu-Tite™ tension screw has been applied with thread locker at the factory.

Using 1/8 Allen Wrench, adjust the screw to your desired tension (Figure 37-3). Depending on how tight you set the screw, the take down pin may be difficult or impossible to move.

NOTE: The upper and lower receiver assemblies must be together to properly adjust the tension. Once you have set your desired tension, carefully reassemble your pistol grip.

CAUTION: Make sure you align the pistol grip screw properly. Misalignment could cause damage to your lower receiver.

CAUTION: Make sure you align the safety spring and safety plunger properly. These parts are the detent to your safety selector. Make sure safety selector operates properly before firing the firearm.



Figure 37-1



Figure 37-2

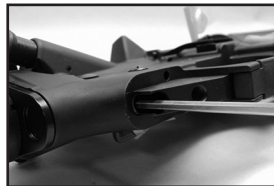


Figure 37-3

SAINT® ADJUSTABLE GAS BLOCK

Some SAINT® firearms are equipped with Springfield Armory's MultiMode adjustable gas block. The MultiMode gas block operates in 3 different modes **NOTE: Some models are only designed to be used with Modes 1 and 3. Mode 2 NOT recommended for sound suppressor usage:**

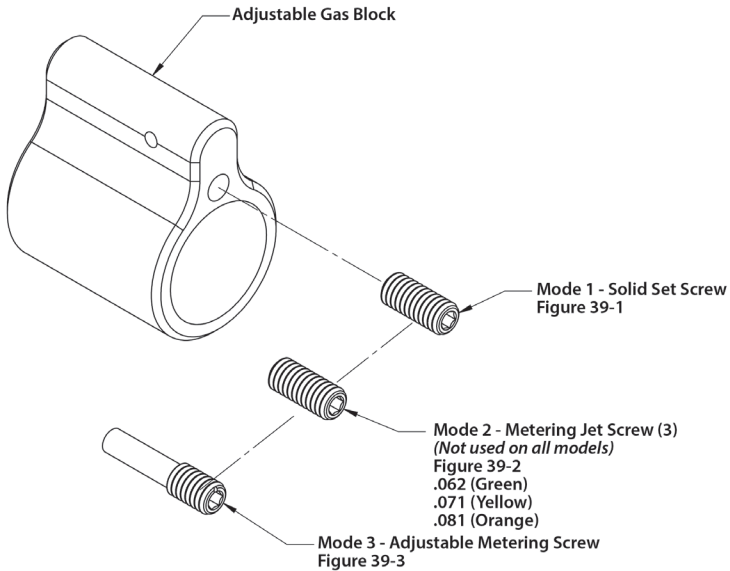
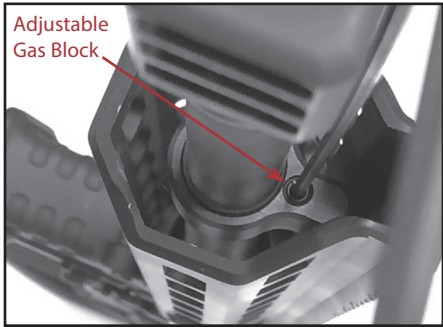
MODE 1 (Figure 39-1) a solid set screw, as configured from the factory, is non-adjustable and works just like any other standard gas block.

MODE 2 (Figure 39-2) is a system of three metering jet screws with various sized orifices to bleed off unnecessary gas pressure if firing full power NATO spec ammunition or any ammunition that operates at higher pressures than .223 Remington ammunition. Three different size metering jet screws are provided to regulate any additional gas and vent it from the front of the gas block. **CAUTION: When using this mode hot gases will expel forward from the gas block. DO NOT cover the metering jet screw orifice with any part of your body while firing.** With the supplied hex "T" wrench remove the factory installed 8-32 plug. Start out with the largest metering jet screw and go progressively smaller testing the function. If the ammunition you are using fails to function properly or will not consistently lock the BCG

to the rear on the last shot fired then change to the next smaller metering jet screw until normal function is achieved. If the BCG fails to lock on the last shot fired with the smallest metering jet screw, either reinstall the unvented plug or use mode 3 to adjust.

MODE 3 (Figure 39-3) uses an adjustable metering screw that is infinitely adjustable to regulate gas flow to the BCG. To adjust, use the supplied hex "T" handle wrench and remove the factory installed plug from the front of the gas block. Insert the needle valve until it bottoms out in the block. Unscrew ½ turn and load magazine with one round and fire. Rifle will more than likely not function at this setting. Load one round into magazine and unscrew an additional ½ turn and repeat. Continue this procedure until the rifle extracts, ejects, and locks the BCG to the rear. Open the valve an additional ¼ turn and the adjustment is complete.

Verify proper function with any mode chosen. If the metering jet screw or adjustable metering screw become lost or otherwise unavailable, a simple 8-32 set screw available at any hardware store can be installed and the gas block will work in mode one as a standard non-adjustable gas block.



SAINT. RAPID TAKEDOWN SYSTEM (RTS™)

Some SAINT models are equipped with a Rapid Takedown System™.

NOTE: If your SAINT model is equipped with a folding brace, folder must be in the unfolded position to fire.

NOTE: Never allow the bolt carrier to slam forward with barrel removed as doing so can damage the mechanism.

DISASSEMBLE

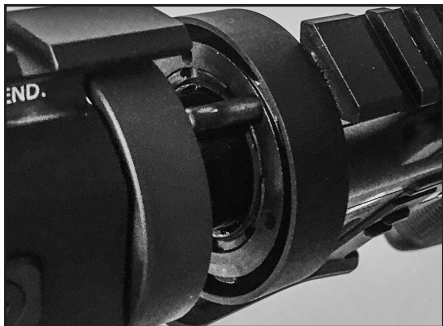
POINT FIREARM IN A SAFE DIRECTION WHILE KEEPING YOUR FINGER OFF THE TRIGGER

Remove magazine and unload firearm (see page 21).

1. Grasp forend and pull-down locking tab (Figure 40-1).
2. Rotate forend 1/8 turn to the right, release tab, retract charging handle approximately one inch (or lock back the bolt carrier to the rear) (Figure 40-2) and remove barrel assembly by sliding forward and out of the upper receiver (Figure 40-3).



WARNING *DO NOT* attempt to fire when barrel assembly is not properly aligned (Figure 40-4).



REASSEMBLY

1. Insert the gas tube into upper receiver and install the barrel extension into the upper receiver (Figure 41-1)
2. Press barrel assembly rearward to compress bolt carrier and then rotate the forend to the left with enough force to align the rail on the forend to the rail on the receiver (Figure 41-2).

NOTE: If these steps are difficult, retract the bolt carrier slightly.

Figure 41-1



Figure 41-2

SAINT. FOLDING BRACE

Some SAINT models are equipped with a Law Tactical folder.

WARNING: DO NOT ATTEMPT TO FIRE IN FOLDED POSITION!

To avoid accidental firing in the folded position, the **SAFETY** should **ALWAYS BE ENGAGED BEFORE FOLDING** the mechanism and should **REMAIN ENGAGED** until mechanism is unfolded (closed).

ALWAYS CLOSE THE LAW TACTICAL FOLDER (UNFOLD) BEFORE FIRING!

To Fold the Brace/Adaptor

WARNING: DO NOT ATTEMPT TO FIRE WHEN IN FOLDED POSITION!

Point firearm in a safe direction while keeping your finger off the trigger.

Make sure your safety selector is in the SAFE position.

Remove magazine and unloaded firearm. (see page 21)

To operate the folding brace, the bolt carrier group must be forward (closed).

Press the unlocking button (Figure 42-1) and fold the receiver extension to the left until it is parallel to the receiver (Figure 42-2).



Figure 42-1



Figure 42-2

To Unfold the Brace

Point firearm in a safe direction while keeping your finger off the trigger.

To close (unfold), simply rotate the receiver extension back to the normal closed position, it will snap into the locking position (Figure 43-1).

WARNING: ALWAYS CLOSE THE LAW TACTICAL FOLDER (UNFOLD) BEFORE FIRING!



Figure 43-1

MAINTENANCE

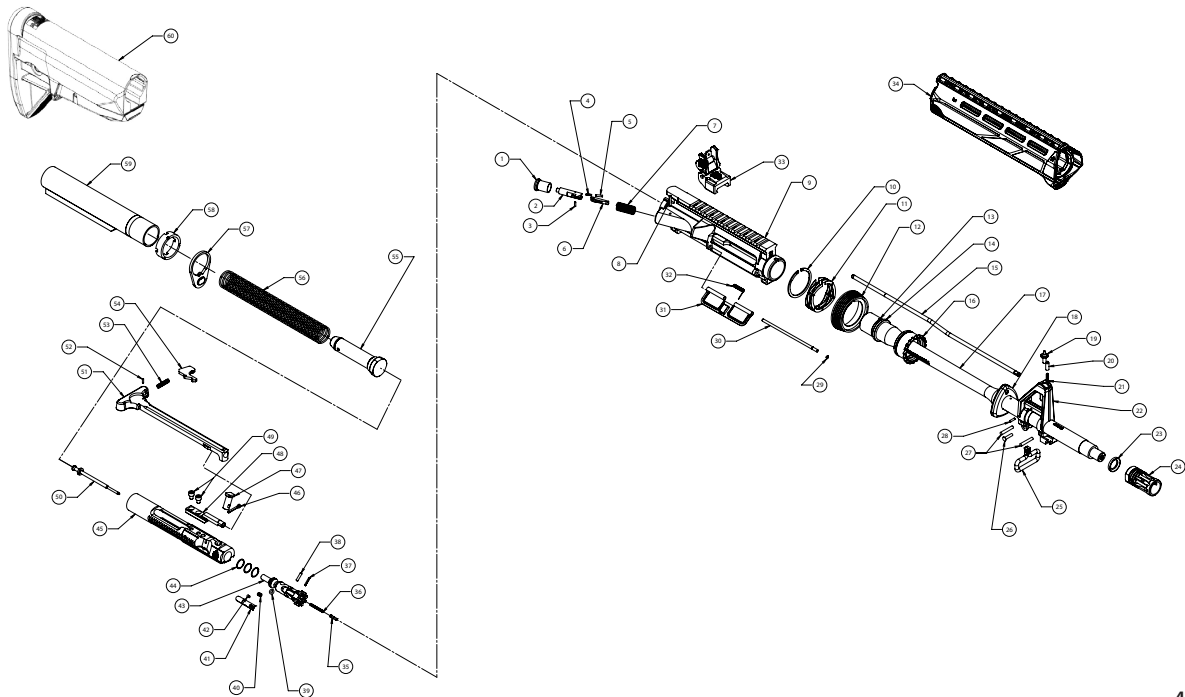
Hinge Tension: A 1/8 Allen Wrench can be used to increase hinge tension by tightening the Hinge Screw (10). Do not remove during installation or general maintenance.

O-rings: Regularly check the Bolt Carrier Extension O-rings for wear or damage. If any wear or damage is visible, the O-rings should be replaced. If the adapter is accidentally fired while folded, the O-rings should be replaced to prevent further damage to the adapter. O-rings are available from SA or Law Tactical.

Lubrication: Regularly lubricating the locking latch and lug is recommended. Cleaning and lubrication of the exterior housing is also recommended.

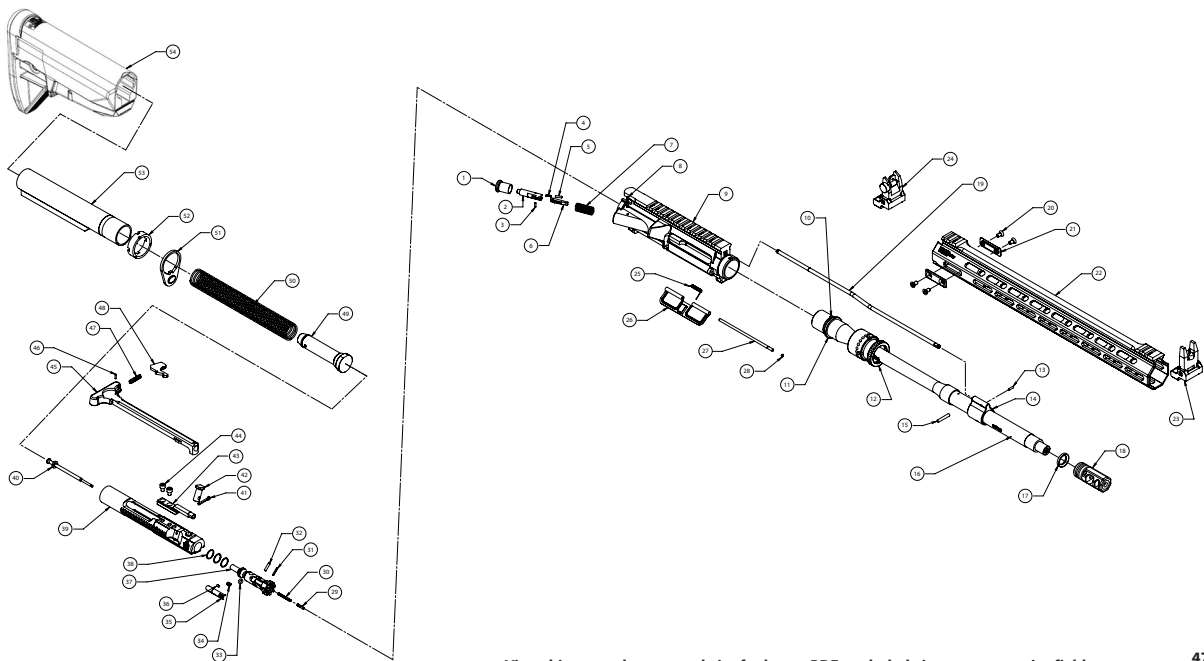
SAINT® UPPER RECEIVER PARTS LIST

- | | | | | | |
|----|--|----|-------------------------------|----|--------------------------------|
| 1 | Forward Assist Plunger Cap | 21 | Front Sight Detent Spring | 41 | Extractor |
| 2 | Forward Assist Plunger | 22 | Front Sight Base | 42 | Extractor Spring Insert |
| 3 | Forward Assist Plunger Pawl Spring Pin | 23 | Crush Washer | 43 | Bolt |
| 4 | Forward Assist Pawl Spring | 24 | Flash Suppressor | 44 | Bolt Gas Ring |
| 5 | Forward Assist Pawl Detent | 25 | Front Sling Swivel | 45 | Bolt Carrier |
| 6 | Forward Assist Pawl | 26 | Front Sling Swivel Rivet | 46 | Firing Pin Retaining Pin |
| 7 | Forward Assist Spring | 27 | Front Sight Taper Pin | 47 | Cam Pin |
| 8 | Forward Assist Spring Pin | 28 | Gas Tube Roll Pin | 48 | Bolt Carrier Key |
| 9 | Upper Receiver | 29 | Ejection Port Cover Snap Ring | 49 | Bolt Carrier Key Screw |
| 10 | Handguard Snap Ring | 30 | Ejection Port Cover Pin | 50 | Firing Pin |
| 11 | Weld Spring | 31 | Ejection Port Cover Assembly | 51 | Charging Handle |
| 12 | Delta Ring | 32 | Ejection Port Cover Spring | 52 | Charging Handle Latch Roll Pin |
| 13 | Barrel Extension Pin | 33 | Flip Up Rear Sight Assembly | 53 | Charging Handle Latch Spring |
| 14 | Barrel Extension | 34 | Handguard | 54 | Charging Handle Latch |
| 15 | Mid Length Gas Tube | 35 | Ejector | 55 | Buffer Assembly H Style |
| 16 | Barrel Nut | 36 | Ejector Spring | 56 | Buffer Spring |
| 17 | Barrel | 37 | Ejector Roll Pin | 57 | Receiver End Plate (Collar) |
| 18 | Handguard Cap Triangle | 38 | Extractor Pin | 58 | Receiver, Extension Castle Nut |
| 19 | Front Sight Post | 39 | Extractor O-Ring | 59 | Receiver Extension Tube |
| 20 | Front Sight Detent | 40 | Extractor Spring | 60 | Buttstock |



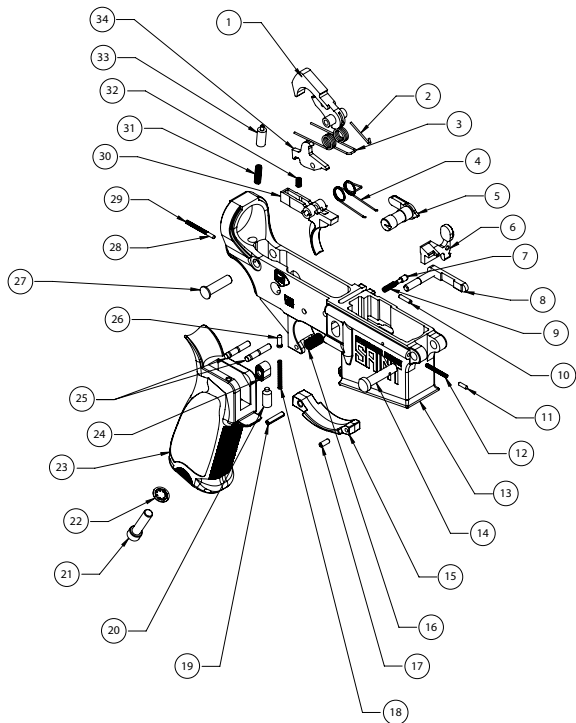
SAINT® VICTOR™ UPPER RECEIVER WITH FREE FLOAT HANDGUARD PARTS LIST (5.56 & .308)

- | | | | | | |
|-------|--|----|--|----|--------------------------------|
| 1 | Forward Assist Plunger Cap | 19 | Mid Length Gas Tube | 37 | Bolt |
| 2 | Forward Assist Plunger | 20 | 8-32 5/16 Flat Torx Screw | 38 | Bolt Gas Ring |
| 3 | Forward Assist Plunger Pawl Spring Pin | 21 | Handguard Anchoring Plate | 39 | Bolt Carrier |
| 4 | Forward Assist Pawl Spring | 22 | Patent Pending AR Free Float Handguard | 40 | Firing Pin |
| 5 | Forward Assist Pawl Detent | 23 | Flip Up Front Sight Assembly | 41 | Firing Pin Retaining Pin |
| 6 | Forward Assist Pawl | 24 | Flip Up Rear Sight Assembly | 42 | Cam Pin |
| 7 | Forward Assist Spring | 25 | Ejection Port Cover Spring | 43 | Bolt Carrier Key |
| 8 | Forward Assist Spring Pin | 26 | Ejection Port Cover | 44 | Bolt Carrier Key Screw |
| 9 | Upper Receiver | 27 | Ejection Port Cover Pin | 45 | Charging Handle |
| 10 | Barrel Extension Pin | 28 | Ejection Port Cover Snap Ring | 46 | Charging Handle Latch Roll Pin |
| 11 | Barrel Extension | 29 | Bolt Ejector | 47 | Charging Handle Latch Spring |
| 12 | Springfield Armory® Free Floating Handguard Barrel Nut | 30 | Bolt Ejector Spring | 48 | Charging Handle Latch |
| 13 | Gas Tube Roll Pin | 31 | Bolt Ejector Roll Pin | 49 | Buffer Assembly H Style |
| 14 | AR Low Profile Gas Block | 32 | Bolt Extractor Pin | 50 | Buffer Spring |
| 15 | Front Sight Taper Pin | 33 | AR Extractor O-Ring | 51 | Receiver End Plate (Collar) |
| 16 | Barrel | 34 | Bolt Extractor Spring | 52 | Receiver Extension Castle Nut |
| 17 | Crush Washer | 35 | Bolt Extractor | 53 | Receiver Extension Tube |
| 46 18 | SA Muzzle Brake | 36 | Bolt Extractor Spring Insert | 54 | Buttstock |



SAINT® LOWER RECEIVER PARTS LIST (5.56 & .308)

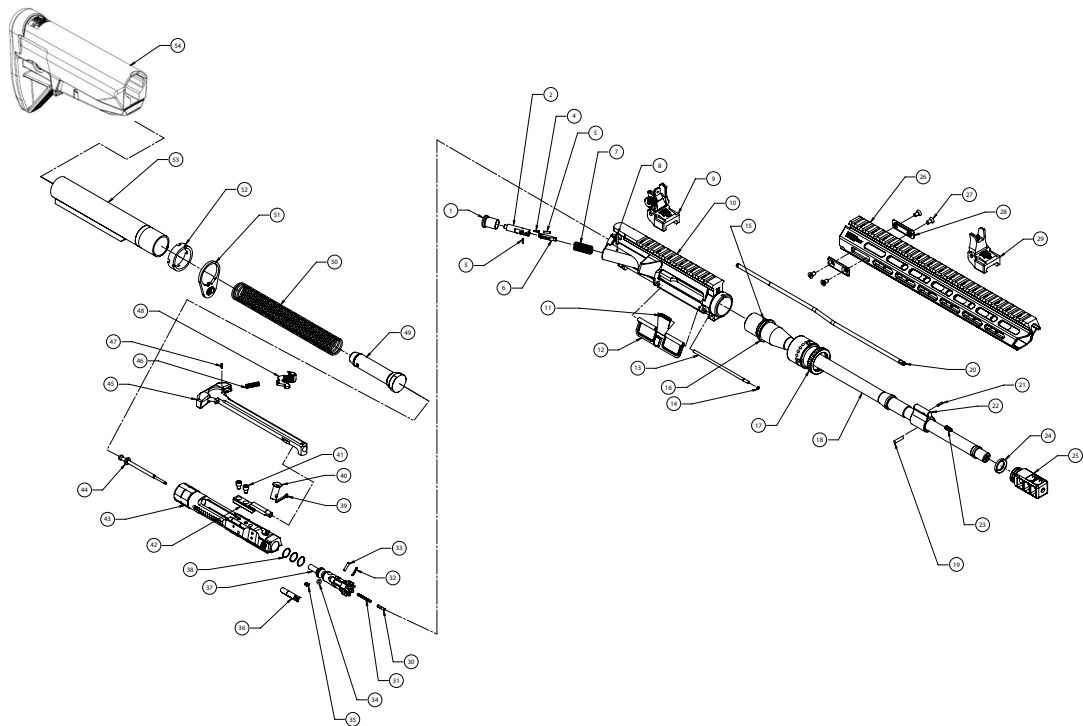
- | | | |
|-----------------------------|----------------------------------|----------------------------|
| 1 Hammer | 13 Lower Receiver | 25 Hammer & Trigger Pin |
| 2 Hammer Pin Spring | 14 Pivot Pin | 26 Safety Selector Detent |
| 3 Hammer Spring | 15 Trigger Guard | 27 Take-Down Pin |
| 4 Trigger Springs | 16 Magazine Catch Spring | 28 Take-Down Detent |
| 5 Safety Selector | 17 Trigger Guard Set Screw/Pin | 29 Take-Down Detent Spring |
| 6 Bolt Catch | 18 Safety Selector Detent Spring | 30 Trigger |
| 7 Bolt Catch Plunger | 19 Trigger Guard Pivot Roll Pin | 31 Buffer Retainer Spring |
| 8 Magazine Catch | 20 Accu-Tite™ Tension Screw | 32 Disconnecter Spring |
| 9 Bolt Catch Plunger Spring | 21 Pistol Grip Screw | 33 Buffer Retainer |
| 10 Bolt Catch Pin | 22 Pistol Grip Screw Lock Washer | 34 Disconnecter |
| 11 Take-Down Detent | 23 Pistol Grip | |
| 12 Take-Down Detent Spring | 24 Magazine Catch Button | |



View this manual on our website
for larger PDF exploded view at
www.springfield-armory.com

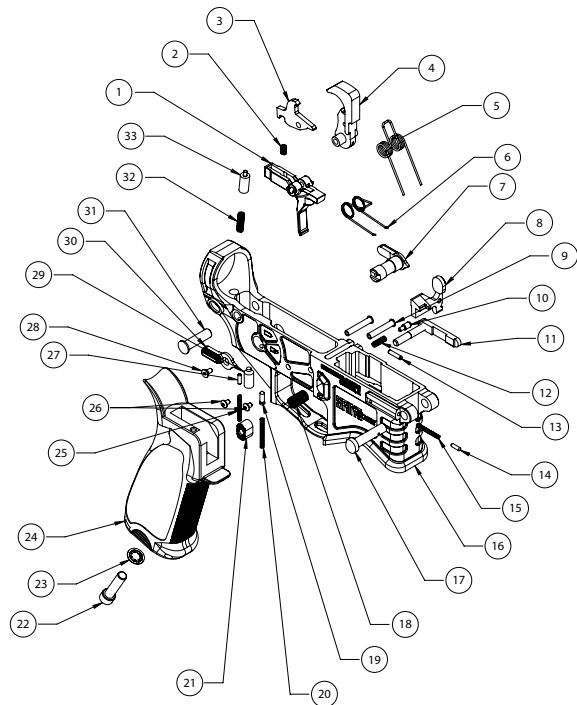
SAINT® EDGE UPPER RECEIVER PARTS LIST

- | | | | | | |
|----|--|----|-------------------------------------|----|--------------------------------|
| 1 | Plunger Cap | 19 | Gas Block Taper Pin | 38 | Bolt Gas Ring |
| 2 | Forward Assist Plunger | 20 | Mid-Length Gas Tube | 39 | Firing Pin Retaining Pin |
| 3 | Pawl Spring Pin | 21 | Gas Tube Roll Pin | 40 | Cam Pin |
| 4 | Pawl Spring | 22 | AR Low Profile Adjustable Gas Block | 41 | Bolt Carrier Key Screw |
| 5 | Pawl Detent | 23 | Gas Block Adjustable Screw | 42 | Bolt Carrier Key |
| 6 | Forward Assist Pawl | 24 | Crush Washer | 43 | Bolt Carrier |
| 7 | Forward Assist Spring | 25 | Lightweight Square Compensator | 44 | Firing Pin |
| 8 | Forward Assist Spring Pin | 26 | EDGE Free Float Handguard | 45 | SA Charging Handle |
| 9 | Flip Up Rear Sight Assembly | 27 | 8-32 5/16 Flat Torx Screw (4) | 46 | Charging Handle Latch Spring |
| 10 | Upper Receiver | 28 | Handguard Anchoring Plate (2) | 47 | Charging Handle Latch Roll Pin |
| 11 | Ejection Port Cover Spring | 29 | Flip Up Front Sight Assembly | 48 | SA Charging Handle Latch |
| 12 | Ejection Port Cover Assembly | 30 | Bolt Ejector | 49 | Buffer Assembly H Style |
| 13 | Ejection Port Cover Pin | 31 | Bolt Ejector Spring | 50 | Buffer Spring |
| 14 | Ejection Port Cover Snap Ring | 32 | Bolt Ejector Roll Pin | 51 | Receiver End Plate For QD Stud |
| 15 | Barrel Extension Pin | 33 | Bolt Extractor Pin | 52 | Receiver Extension Castle Nut |
| 16 | Barrel Extension, M4 | 34 | AR Extractor O-Ring | 53 | Receiver Extension Tube |
| 17 | Springfield Armory Free Float Handguard Barrel Nut | 35 | Bolt Extractor Spring | 54 | Butt Stock |
| 18 | SA AR15 Barrel, 16" W/ Extension | 36 | Bolt Extractor | | |
| | | 37 | Bolt | | |



SAINT® EDGE LOWER RECEIVER PARTS LIST

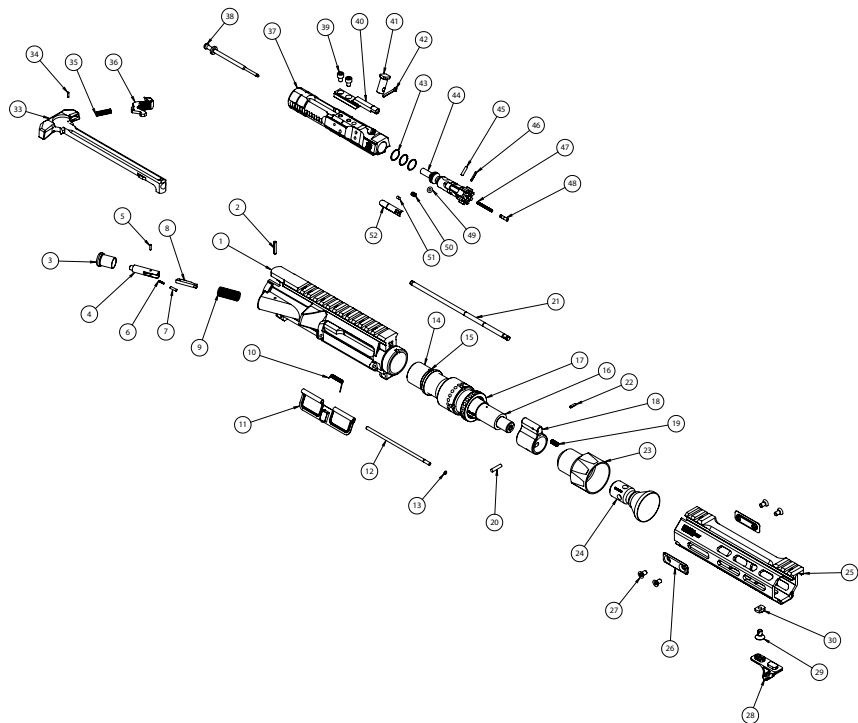
- | | | | | | |
|----|---------------------------------------|----|-------------------------------|----|--|
| 1 | AR Drop In Trigger System | 12 | Bolt Catch Plunger Spring | 23 | Pistol Grip Screw Lock Washer |
| 2 | Disconnecter Spring | 13 | Bolt Catch Pin | 24 | Pistol Grip Mod3 |
| 3 | Disconnecter | 14 | Takedown Detent | 25 | Takedown Detent Spring |
| 4 | Hammer | 15 | Takedown Detent Spring | 26 | Hammer/Trigger Pin Screw Antiwalk |
| 5 | Hammer Spring | 16 | Lower Receiver | 27 | Takedown Detent |
| 6 | Trigger Spring | 17 | Pivot Pin | 28 | Ambi Safety Selector Screw |
| 7 | 90 Degree Ambi Safety Selector (left) | 18 | Magazine Catch Spring | 29 | Nylon Tip Tension Set Screw |
| 8 | Bolt Catch | 19 | Safety Selector Detent | 30 | 90 Degree Ambi Safety Selector (right) |
| 9 | Hammer/Trigger Pin Antiwalk | 20 | Safety Selector Detent Spring | 31 | Takedown Pin |
| 10 | Bolt Catch Plunger | 21 | Magazine Catch Button | 32 | Buffer Retainer Spring |
| 11 | Magazine Catch | 22 | Pistol Grip Screw | 33 | Buffer Retainer |



View this manual on our website for larger PDF exploded view at www.springfield-armory.com

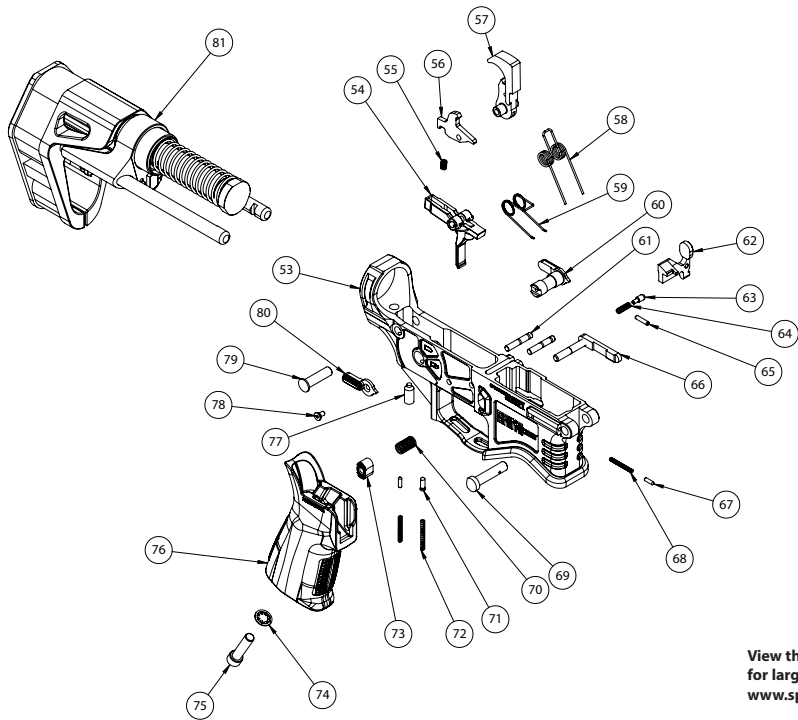
SAINT® EDGE PDW UPPER RECEIVER PARTS LIST

- | | | | | | |
|----|-------------------------------|----|----------------------------------|----|---------------------------------|
| 1 | Upper Receiver | 18 | AR Low Profile Adj Gas Block 750 | 37 | PDW Bolt Carrier Group Assembly |
| 2 | Forward Assist Spring pin | 19 | Solid Jet Set Screw | 38 | Firing Pin |
| 3 | Plunger Cap | 20 | Gas Block Taper Pin | 39 | Bolt Carrier Key Screw |
| 4 | Forward Assist Plunger | 21 | PDW Gas Tube | 40 | Bolt Carrier Key |
| 5 | Pawl Spring Pin | 22 | Gas Tube Roll Pin | 41 | Cam Pin |
| 6 | Pawl Spring | 23 | SA .5 Muzzle Brake Shroud | 42 | Firing Pin Retaining Pin |
| 7 | Pawl Detent | 24 | SA .5 Muzzle Brake Cone | 43 | Bolt Gas Ring |
| 8 | Forward Assist Pawl | 25 | SAINT Edge PDW Forend | 44 | Bolt |
| 9 | Forward Assist Spring | 26 | Forend Anchoring Plate | 45 | Bolt Extractor Pin |
| 10 | Ejection Port Cover Spring | 27 | 8 - 32 5/16 Flat Torx Screw | 46 | Bolt Ejector Roll Pin |
| 11 | Ejection Port Cover Assembly | 28 | SAINT Edge Safety Stop | 47 | Bolt Ejector Spring |
| 12 | Ejection Port Cover Pin | 29 | Safety Stop Screw, .375 | 48 | Bolt Ejector |
| 13 | Ejection Port Cover Snap Ring | 30 | M-Lok T Nut | 49 | AR Extractor O-Ring |
| 14 | Barrel Extension, M4 | 33 | Charging Handle | 50 | Bolt Extractor Spring |
| 15 | Barrel Extension Pin | 34 | Charging Handle Latch Roll Pin | 51 | Bolt Extractor Spring Insert |
| 16 | AR 5.5 LE 5.56 Edge Barrel | 35 | AR Charging Handle Spring | 52 | Bolt Extractor |
| 17 | Barrel Nut | 36 | Edge Charging Handle Latch | | |



SAINT® EDGE PDW LOWER RECEIVER PARTS LIST

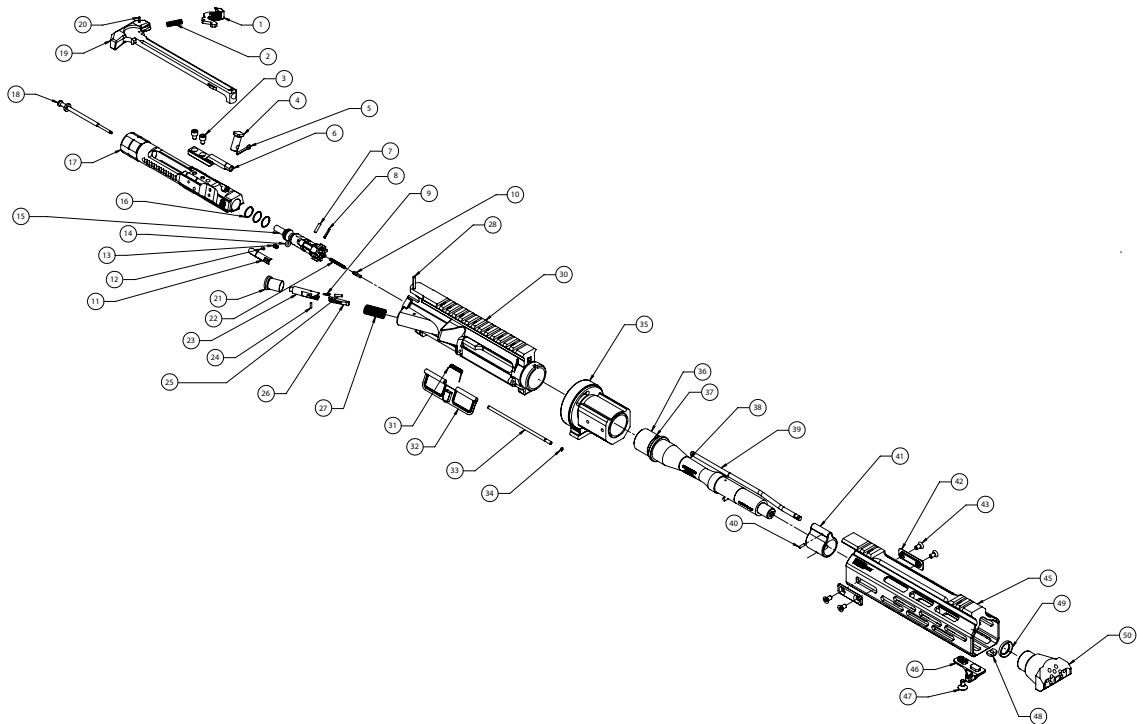
- | | | |
|-----------------------------------|----------------------------------|----------------------------------|
| 53 Lower Billet Receiver w/ No QD | 63 Bolt Catch Plunger | 73 Magazine Catch Button |
| 54 Straight Trigger | 64 Bolt Catch Plunger Spring | 74 Pistol Grip Screw Lock Washer |
| 55 Disconnecter Spring | 65 Bolt Catch Pin | 75 Pistol Grip Screw |
| 56 Disconnecter | 66 Magazine Catch | 76 Pistol Grip CQG Reptilia |
| 57 Hammer | 67 Takedown Detent | 77 Nylon Tip Tension Set Screw |
| 58 Hammer Spring | 68 Takedown Detent Spring | 78 Ambi Safety Selector Screw |
| 59 Trigger Spring | 69 Pivot Pin | 79 Takedown Pin |
| 60 Left Side Ambi Safety | 70 Magazine Catch Spring | 80 RT Ambi Safety Select Lever |
| 61 Hammer & Trigger Pin | 71 Safety Selector Detent | 81 Maxim SCW PDW Pistol Brace |
| 62 Bolt Catch | 72 Safety Selector Detent Spring | |



View this manual on our website
for larger PDF exploded view at
www.springfield-armory.com

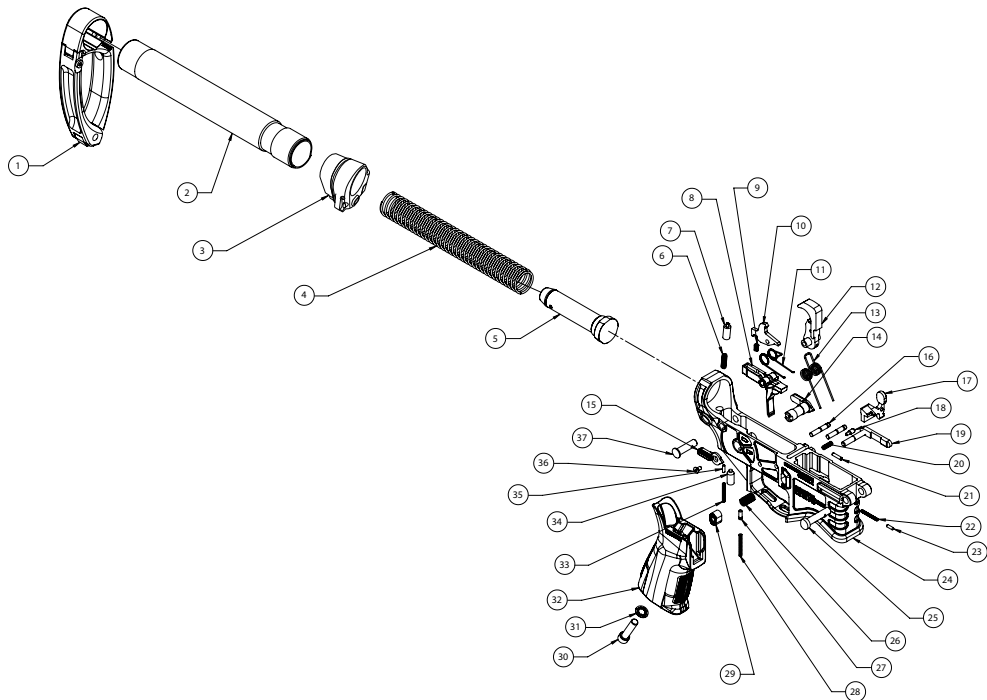
SAINT® EDGE EVAC UPPER RECEIVER PARTS LIST

- | | | | | | |
|----|--------------------------------------|----|-------------------------------|----|----------------------------------|
| 1 | Edge Charging Handle Latch | 18 | Firing Pin | 35 | Rapid Takedown System™ Mechanism |
| 2 | Charging Handle Spring | 19 | Charging Handle | 36 | Barrel Extension, M4 |
| 3 | Bolt Carrier Key Screw | 20 | 1/16 x 1/4 Roll Pin | 37 | Barrel Extension Pin |
| 4 | Cam Pin | 21 | Plunger Cap | 38 | 7.5" Barrel Assembly |
| 5 | Firing Pin Retaining Pin | 22 | Bolt Ejector Spring | 39 | Pistol Gas Tube |
| 6 | Bolt Carrier Key | 23 | Forward Assist Plunger | 40 | Gas Tube Roll Pin |
| 7 | Bolt Extractor Pin | 24 | Pawl Spring Pin | 41 | .750 AR Low Profile Gas Block |
| 8 | Bolt Ejector Roll Pin | 25 | Pawl Detent | 42 | SA Locking Tab |
| 9 | Pawl Spring | 26 | Forward Assist Pawl | 43 | 8 - 32 5/16 Flat Torx Screw |
| 10 | Bolt Ejector | 27 | Forward Assist Spring | 45 | Edge QD Pistol Forend |
| 11 | Bolt Extractor | 28 | Forward Assist Spring Pin | 46 | Edge Safety Stop |
| 12 | Bolt Extractor Spring Insert | 30 | Upper Receiver | 47 | Safety Stop Screw |
| 13 | Bolt Extractor Spring | 31 | Ejection Port Cover Spring | 48 | M-Lock T Nut |
| 14 | AR Extractor O-Ring | 32 | Ejection Port Cover | 49 | Crush Washer |
| 15 | Bolt | 33 | Ejection Port Cover Pin | 50 | EVAC Blast Diverter |
| 16 | Bolt Gas Ring | 34 | Ejection Port Cover Snap Ring | | |
| 17 | Sport Bolt Carrier Assembly Engraved | | | | |



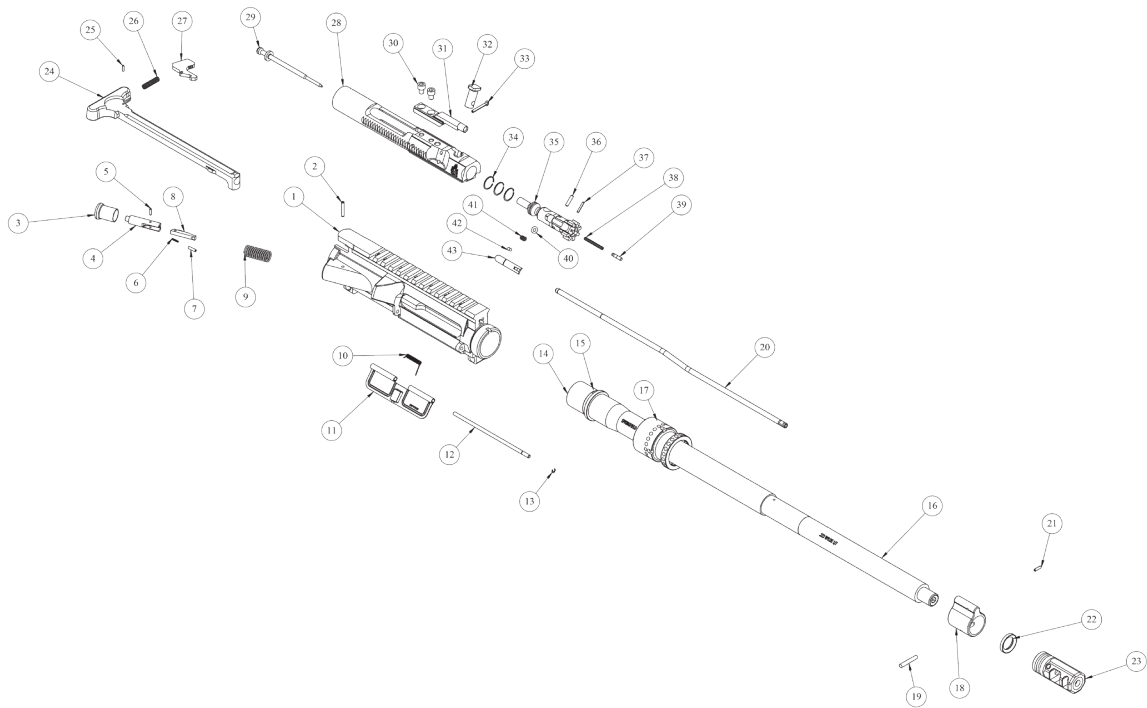
SAINT® EDGE EVAC LOWER RECEIVER PARTS LIST

- | | | |
|---|---------------------------------------|----------------------------------|
| 1 Gear Head Works™ Tailhook Mod 1 Brace | 14 45° Left Side Ambi Safety Selector | 27 Safety Selector Detent |
| 2 Receiver Extension Tube | 15 Right Side Ambi Safety Lever | 28 Safety Selector Detent Spring |
| 3 Law Tactical Folding Brace Adapter | 16 Hammer & Trigger Pin | 29 Magazine Catch Button |
| 4 Buffer Spring | 17 Bolt Catch | 30 Pistol Grip Screw |
| 5 Buffer Body | 18 Bolt Catch Plunger | 31 Pistol Grip Screw Lock Washer |
| 6 Buffer Retainer Spring | 19 Magazine Catch | 32 Pistol Grip CQG Reptilia |
| 7 Buffer Retainer | 20 Bolt Catch Plunger Spring | 33 Takedown Detent Spring |
| 8 Straight Trigger | 21 Bolt Catch Pin | 34 Nylon Tip Tension Set Screw |
| 9 Disconnecter Spring | 22 Takedown Detent Spring | 35 Takedown Detent |
| 10 Disconnecter | 23 Takedown Detent | 36 Ambi Safety Selector Screw |
| 11 Trigger Spring | 24 Lower Receiver | 37 Takedown Pin |
| 12 Hammer | 25 Pivot Pin | |
| 13 Hammer Spring | 26 Magazine Catch Spring | |



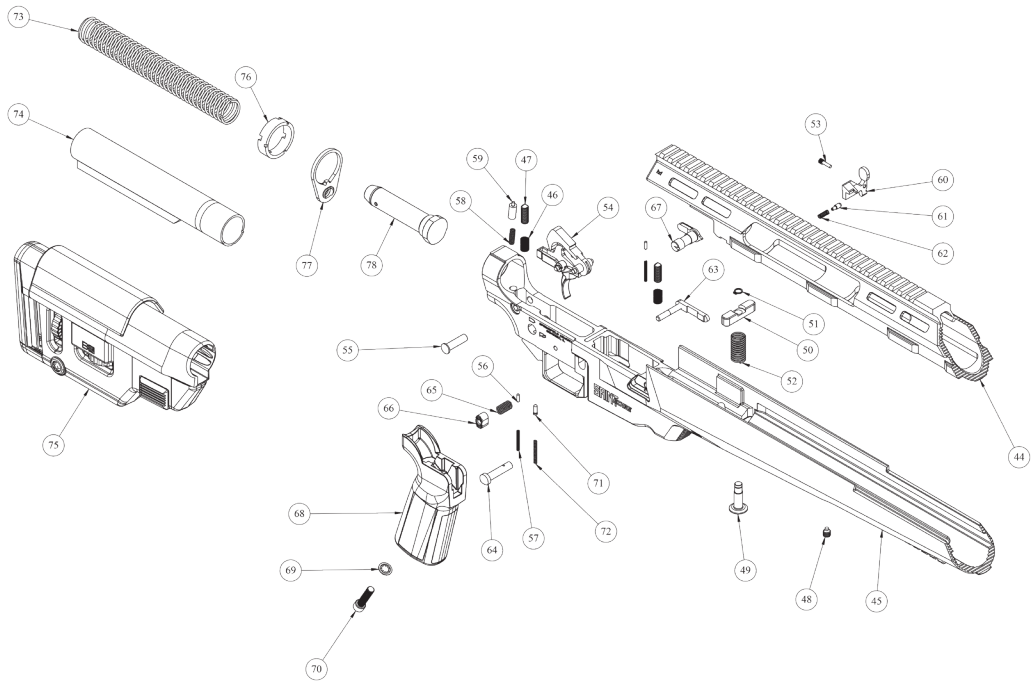
SAINT® EDGE ATC UPPER RECEIVER PARTS LIST

- | | | | | | |
|----|---------------------------------|----|-------------------------------|----|------------------------------|
| 1 | ATC Upper Receiver | 18 | .750 AR Low Profile Gas Block | 34 | Bolt Gas Ring |
| 2 | Forward Assist Spring Pin | 19 | Front Sight Taper Pin | 35 | Bolt |
| 3 | Plunger Cap | 20 | Mid Length Gas Tube | 36 | Bolt Extractor Pin |
| 4 | Forward Assist Plunger | 21 | Gas Tube Roll Pin | 37 | Bolt Ejector Roll Pin |
| 5 | Pawl Spring Pin | 22 | Crush Washer | 38 | Bolt Ejector Spring |
| 6 | Pawl Spring | 23 | Muzzle Brake | 39 | Bolt Ejector |
| 7 | Pawl Detent | 24 | Charging Handle | 40 | AR Extractor O-Ring |
| 8 | Forward Assist Pawl | 25 | 1/16 x 1/4 Roll Pin | 41 | Bolt Extractor Spring |
| 9 | Forward Assist Spring | 26 | Charging Handle Latch Spring | 42 | Bolt Extractor Spring Insert |
| 10 | Ejection Port Cover Spring | 27 | Charging Handle Latch | 43 | Bolt Extractor |
| 11 | Ejection Port Cover | 28 | Bolt Carrier | | |
| 12 | Ejection Port Cover Pin | 29 | Firing Pin | | |
| 13 | Ejection Port Cover Snap Ring | 30 | Bolt Carrier Key Screw | | |
| 14 | Barrel Extension, M4 | 31 | Bolt Carrier Key | | |
| 15 | Barrel Extension Pin | 32 | Cam Pin | | |
| 16 | SAINT 18" Barrel | 33 | Firing Pin Retaining Pin | | |
| 17 | Free Float Handguard Barrel Nut | | | | |



SAINT® EDGE ATC LOWER RECEIVER PARTS LIST

- | | | |
|---|----------------------------------|-----------------------------------|
| 44 Precision Chassis Handguard | 57 Takedown Detent Spring | 70 Pistol Grip Screw |
| 45 Springfield Armory Precision Chassis | 58 Buffer Retainer Spring | 71 Safety Selector Detent |
| 46 1/4-28 SS Helicoil | 59 Buffer Retainer | 72 Safety Selector Detent Spring |
| 47 Cone Point Set Screw | 60 Bolt Catch | 73 Buffer Spring |
| 48 Nylon Tip Set Screw | 61 Bolt Catch Plunger | 74 Receiver Extension Tube |
| 49 Latch Pull | 62 Bolt Catch Plunger Spring | 75 B5 Precision Stock |
| 50 Latch | 63 Magazine Catch | 76 Receiver Extension Castle Nut |
| 51 1/4" C-Cup | 64 Pivot Pin | 77 Receiver End Plate For QD Stud |
| 52 Latch Spring | 65 Magazine Catch Spring | 78 Buffer Assembly H Style |
| 53 Bolt Catch Threaded Pin | 66 Magazine Catch Button | |
| 54 AR Bowed Trigger System | 67 Safety Selector | |
| 55 Takedown Pin | 68 B5 Type Pistol Grip | |
| 56 Takedown Detent | 69 Pistol Grip Screw Lock Washer | |



SIGHT ADJUSTMENT

Your SAINT® rifle is equipped with adjustable sights. The rear sight adjusts the bullet impact horizontally (windage) and the front sight changes bullet impact vertically (elevation).

The rear sight has an adjustment knob on the right side of the sight (Figure 62-1). Turning the knob “clockwise” moves the bullet impact to the right. Counter clockwise moves the impact to the left. As the knob is rotated you will hear and feel distinctive “clicks”. Each click moves the bullet impact 1/2” at 100 yards.

There are two apertures on the rear sight. Flip the aperture up or down to change (Figure 62-2). The small aperture is for normal shooting, the large aperture is for fast close quarter’s target acquisition.

The front sight is adjusted by turning the sight post. Clockwise rotation raises the bullet impact and counter rotation lowers the impact. The tip of a bullet can be used (or sight adjustment tool) to press the detent and rotate the sight post (Figure 62-3). Each 1/4 turn of the sight post moves the bullet impact 2” at 100 yards.



Figure 62-1

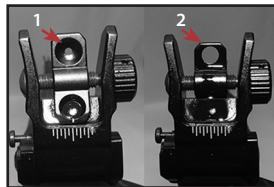


Figure 62-2



Figure 62-3

CABLE LOCK

- Step 1 - Point gun in safe direction while keeping your finger off the trigger.
- Step 2 - Press magazine release and remove magazine.
- Step 3 - Pull charging handle fully to the rear and lock open.
- Step 4 - Check to see that no cartridge is in the chamber.
- Step 5 - Insert cable through the ejection port and out magazine well.
- Step 6 - Lock cable into cable lock.
- Step 7 - Grasp charging handle and ease forward.



CAUTION: GUNS SHOULD ALWAYS BE LOCKED AND STORED IN COMPLETE COMPLIANCE WITH ALL APPLICABLE LAWS AND REGULATIONS.

Store key separately away from lock and out of reach of children. Springfield Armory® firearm boxes are also designed for an exterior lock. (Not Included)

This cable lock is supplied as an aid to your security measures.

SPRINGFIELD ARMORY® LIMITED WARRANTY

SPRINGFIELD ARMORY® LIMITED WARRANTY

This Limited Warranty is issued by Springfield, Inc., d/b/a Springfield Armory, an Illinois corporation (“Springfield” or “we” or “us” or “our”) to “You” the original retail purchaser (also “YOUR”) of a Springfield product (the “Product”). This Limited Warranty gives You specific legal rights, and You may also have other rights which vary from state to state.

WHO AND WHAT IS COVERED BY THIS WARRANTY?

Springfield, Inc. warrants to You, the original retail purchaser of the Product, that the Product You purchased will be free of defects in workmanship or material, subject to the terms of this document.

HOW LONG WILL THIS WARRANTY LAST?

This Warranty will be in effect during the time that YOU, the original retail purchaser, own the product. Proof of original purchase required.

WHAT DO YOU HAVE TO DO FOR WARRANTY SERVICE?

You must take 3 steps to get warranty service. Notify us by phone, email, fax, or mail. If You discover a defect in material or workmanship, You must notify us by telephone, email, fax or mail at once of the Warranty Service Contact Points. Warranty Service Contact Points:

Telephone: 800-680-6866

Email: warranty@springfieldwarranty.com

Fax: 309-944-3676

Mail: Springfield Armory
420 West Main Street
Geneseo, Illinois 61254
Attn: Warranty Service

Write a brief description of the defect. Please write down a brief description of the defect and how YOU experienced or discovered the defect. Follow the return instructions you receive from Springfield. Once we receive Your notification for warranty notice at one of our Warranty Service Contact Points, we will provide You with a shipping coupon (so that we can pay for the shipping) and instructions on how to return Your Product for service. You must follow the shipping instructions once You receive them.

WHAT WILL SPRINGFIELD DO IF YOU DISCOVER A DEFECT?

If, during YOUR ownership of the Product, one or more parts of the Product fail due to defects in materials or workmanship, Springfield will provide, free of charge, a new, repaired or reconditioned (decided at our discretion) Product. That new, repaired or reconditioned Product will be warranted for the remainder of YOUR ownership of the Product under these terms and conditions.

WHAT IS NOT COVERED BY THIS LIMITED WARRANTY?

This Limited Warranty does not cover any damage or condition determined by Springfield to be caused by: unauthorized repairs, disassembly, adjustments or modifications, carelessness, negligence, misuse, or unsafe handling, normal wear and tear, failure to properly or reasonably store, use, or maintain the product, hand-loaded, reloaded, re-manufactured, or defective ammunition.



The SAINT®, like all firearms, is a dangerous weapon if not handled properly.

LIMITATION OF LIABILITY AND DISCLAIMERS

This limited warranty is provided in lieu of any and all express warranties. All implied warranties, including implied warranties of merchantability, non-infringement and fitness for a particular purpose, are limited in duration to the duration of the warranty period (the original purchaser's (your) ownership of the product) and no warranties, hether express or implied, will apply after such period.

Some states do not allow limitations on the duration of an implied warranty, so the above limitation may not apply to you. Springfield's responsibility for malfunctions and defects in the product is limited to the terms set forth in this limited warranty. The preceding limited warranty constitutes springfield's only obligation to you and represents your exclusive remedy against springfield. In no event will springfield be liable for incidental, special or consequential damages, regardless of whether your claims are based on breach of contract, tort (including negligence and strict liability) or other theories, including, without limitation, any liability for economic loss, bodily injury, property damage or for any damage that may result from your use or ownership of the product, whether foreseeable or not. Some states do not allow the exclusion or limitation of incidental or consequential damages or certain other exclusions contained in warranties, so the above limitations or exclusions may not apply to you. The limitations set forth in this limited warranty shall not apply to the extent that they are prohibited by law.

No person or entity is authorized to give any other warranty or to assume any other obligation on behalf of Springfield. Any provision of this Limited Warranty prohibited or unenforceable in any jurisdiction shall be ineffective only to the extent of such prohibition and shall not invalidate any of the remaining provisions of this Limited Warranty.

GOVERNING LAW/VENUE/CONSENT TO JURISDICTION

This Limited Warranty will be governed and construed in accordance with the law of the State of Illinois, without regard to Illinois' conflict of law rules. Any litigation between SPRINGFIELD and YOU or YOUR heirs, representatives or assigns shall be filed before a court of competent jurisdiction and venue in the 14th Judicial District of the State of Illinois. YOU HEREBY CONSENT TO THE IN PERSONAM JURISDICTION AND VENUE OF THE ILLINOIS COURTS, AND THAT SERVICE OF THE PROCESS MAY BE MADE UPON YOU AS PROVIDED BY ILLINOIS LAW.

KEEP THIS CARD FOR YOUR RECORDS

Serial Number _____

Date Of Purchase _____

Place Of Purchase _____



ACTIVATE YOUR WARRANTY ONLINE AT:

www.springfieldwarranty.com/StartWarranty.asp

And recieve a coupon for specific discounted items on our webstore.
Magazines, shirts, hats, range bags and much more.

SPRINGFIELD ARMORY®

420 WEST MAIN STREET, GENESEO, IL 61254 • 800-680-6866



Safety and instruction manuals are available from
Springfield, Inc.



Always wear eye and ear protection when using any firearm.

DOWNLOAD THIS MANUAL ON OUR WEBSITE: WWW.SPRINGFIELD-ARMORY.COM

Always check website for updated versions of operation & safety manuals