



# HENRY®

Made In America, Or Not Made At All

HenryUSA™

# Pump Action .22

*Instruction Manual For All H003 Series Rifles*



**Important:**

Study this instruction manual carefully before you handle this firearm.

**Made in America**



IS A REGISTERED TRADEMARK  
OF THE HENRY REPEATING ARMS COMPANY

TEL. **201-858-4400** | FAX. **201-858-4435**

WEBSITE. **[www.henryusa.com](http://www.henryusa.com)**

**WARNING: BEFORE USING FIREARM, READ AND FOLLOW THESE INSTRUCTIONS.**

If there is anything you do not understand,  
get help from someone qualified to teach the safe handling of firearms.

## THE HENRY GUARANTEE

Thank you very much for spending your hard earned money to purchase a Henry. I certainly appreciate it and welcome you to the Henry family. As an owner of a Henry, you are backed by our lifetime warranty and my personal guarantee for 100% satisfaction. I will do what it takes to make certain you are happy with your purchase.

Sincerely,

*Anthony Imperato*

**Henry Repeating Arms**

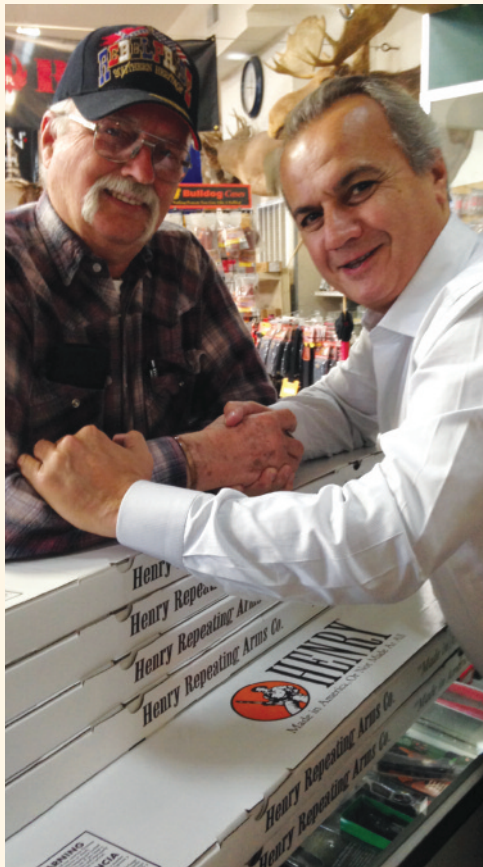
Telephone: 201.858.4400

Web: [www.henryusa.com](http://www.henryusa.com)

*We are confident that you'll enjoy and be proud to own any of our Henry firearms, well known for their reliability, accuracy, handsome looks and smooth action.*

*Our goal has and always will be to manufacture a line of classic, well-crafted firearms that every enthusiast would find readily affordable.*

*We take great pride in manufacturing our shotguns in the United States, hence our corporate motto "Made in America, or Not Made at All".*



# HENRY<sup>®</sup>



**Made In America,  
Or Not Made At All**

Use the space below to record information about your new firearm.

Serial Number \_\_\_\_\_

Caliber \_\_\_\_\_

Purchase Price \_\_\_\_\_

Purchased From \_\_\_\_\_

Date of Purchase \_\_\_\_\_

Henry Repeating Arms Company  
59 East 1st Street  
Bayonne, NJ 07002

If you have any questions or comments regarding your new Henry firearm, please feel free to write or call us.

## **SIMPLE LIMITED LIFETIME WARRANTY ON ALL HENRY FIREARMS**

It is our promise to you that as long as you own your Henry firearm, it will be free from defects in material and workmanship from the manufacturer. If you have a problem with your Henry firearm, we will fix it at no charge to you. Henry Repeating Arms shall repair, send replacement parts or replace the firearm with a valid warranty claim. If a complete replacement is necessary, the original firearm will not be returned. Henry RAC will provide repairs or replacement at no charge, but will not offer cash, credit, or refund.

**WE RESERVE THE RIGHT TO REFUSE SERVICE ON FIREARMS THAT HAVE BEEN ALTERED, ADDED TO, OR SUBSTANTIALLY CHANGED.** Removal of metal from the barrel, or modifications of the firing mechanism and/or operating parts, may lead to a refusal of service on such firearms. There will be a charge for parts and labor to return the firearm to original specifications.

**DO NOT, UNDER ANY CIRCUMSTANCES, ALTER THE TRIGGER, "SAFETY" OR OTHER PARTS OF FIRING MECHANISM OF THIS OR ANY OTHER FIREARM. FAILURE TO OBEY THIS WARNING MAY RESULT IN INJURY OR DEATH.**

**NOTICE:** Henry RAC shall not be responsible for injury, death, or damage to property resulting from either intentional or accidental discharge of this firearm, or from its function when used for purposes or subjected to treatment for which it is not designed.

Whether or not you are experienced in the safe handling of firearms, we urge you to read this entire instruction manual carefully. You must follow the safety instructions for your safety and the safety of others. Should you have any questions concerning the instructions in this manual, please call us at 201-858-4400.

**WARNING:** If you have little or no experience in the safe handling and operation of a firearm, we strongly urge you to take a firearms safety course from an NRA Certified Instructor or someone with equivalent qualifications before using this or any other firearm. You can contact the NRA Firearms Education and Safety Division at 703-267-1470 for the name of an instructor in your area, or contact your firearms dealer, law enforcement agency or local sportsman's club for training

## Table of Contents

<b>Cautions</b>	
Handling Cautions	4
Range Cautions	4
Loading/Unloading Cautions	4
Shooting Cautions	5
Malfunction Cautions	6
Cleaning & Storage Cautions	6
Storage	6
Ammunition	7
Specs	7
<b>Operating Instructions</b>	
How to use Safety	8
How to Load Your Henry	8
How To Operate Your Henry	9
How to Unload Your Henry	10
Sights	10
How To Clean Your Henry	11
<b>Maintenance</b>	
Gun Parts	13
Service and Repair	13

---

## CAUTIONS:

### GENERAL HANDLING CAUTIONS

**ALWAYS HANDLE YOUR FIREARM AS IF IT WERE LOADED** so that you never fire it accidentally when you think it is unloaded.

**NEVER POINT YOUR FIREARM AT ANYTHING YOU DO NOT INTEND TO SHOOT** so that if it fires accidentally, injury, death, or damage to property will be avoided.

**NEVER TAKE ANYONE'S WORD THAT A GUN IS UNLOADED.** Check for yourself with fingers off the trigger and gun pointed in a safe direction so that you never fire the gun accidentally when you think it is unloaded.

**ALWAYS CHECK TO MAKE SURE YOUR FIREARM IS NOT LOADED WHEN HANDING IT TO ANOTHER PERSON.**

**ALWAYS KEEP AND CARRY YOUR FIREARM EMPTY WITH THE HAMMER IN THE "SAFE" POSITION** except when you intend to shoot, so that your firearm cannot be fired when you do not intend to fire it.

**ALWAYS BE AWARE OF POSSIBLE RISK FROM DROPPING YOUR FIREARM.** Some parts of the mechanism could be damaged. You may not see the damage, but it is severe. The firearm may discharge and cause injury, death, or damage to property. If your firearm has been dropped, have it examined by a competent gunsmith before using it again.

**NEVER LEAVE A FIREARM COCKED AND READY TO FIRE,** as this condition is extremely dangerous and the firearm could easily be accidentally discharged, causing injury, death, or damage to property.

**NEVER LEAVE A LOADED FIREARM UNATTENDED.** Someone, especially a child, may fire it and cause injury, death, or damage to property.

**ALWAYS INSTRUCT CHILDREN TO RESPECT FIREARMS.** If you teach your children to shoot or get them trained by a qualified instructor, be certain they know how to use the firearm properly and always supervise them closely. Always stress safety so that your children will not fire a rifle when or where it is unsafe to do so.

### RANGE CAUTIONS

Always be sure your backstop is adequate to stop and contain bullets before beginning target practice so that you do not hit anything outside the range shooting area. Think! What will you HIT if you Miss the target?

**ALWAYS PUT A KNOWLEDGEABLE AND RESPONSIBLE PERSON IN CHARGE TO MAINTAIN SAFETY CONTROL WHEN A GROUP IS FIRING ON A RANGE.** Obey his commands so that discipline is maintained to reduce the possibility of accidents.

**ALWAYS CARRY YOUR FIREARM EMPTY WITH THE ACTION OPEN WHILE ON A RANGE** until preparing to fire and keep it pointing towards the backstop when loading, firing, and unloading to eliminate the risk of injury, death or damage to property.

### LOADING/UNLOADING CAUTIONS

**ALWAYS BE SURE BARREL, BORE, CHAMBER, AND ACTION ARE CLEAN AND CLEAR OF OBSTRUCTIONS.** Clean a fouled firearm immediately so that it will function correctly and safely.

---

**ALWAYS USE ONLY CLEAN, DRY, HIGH-QUALITY, COMMERCIALY MANUFACTURED AMMUNITION IN GOOD CONDITION AND APPROPRIATE TO THE CALIBER OF YOUR FIREARM.** Gun and ammunition manufacturers design their products within exacting engineering safety limits. Handloads and remanufactured ammunition are sometimes outside those limits and could blow up the chamber, bolt and receiver of any firearm and cause injury, death or damage to property.

## **SHOOTING CAUTIONS**

**NEVER DRINK ALCOHOLIC BEVERAGES OR TAKE DRUGS BEFORE OR DURING SHOOTING** as your vision, coordination, and judgement could be seriously impaired, making your gun handling unsafe.

**ALWAYS SEEK A DOCTOR'S ADVICE IF YOU ARE TAKING MEDICATION** to be sure you are fit to shoot and handle your firearm safely.

**ALWAYS WEAR AND ENCOURAGE OTHERS TO WEAR EAR PROTECTION WHEN SHOOTING**, especially on a range. Without ear protection, the noise of even one shot from your rifle and from other guns close to you could leave a "ringing" in the ears for some time after firing and the cumulative long term effect could be permanent hearing loss.

**ALWAYS WEAR AND ENCOURAGE OTHERS TO WEAR PROTECTIVE SHOOTING GLASSES.** Flying particles could damage eyes and cause blindness. Protective shooting glasses can prevent such an injury.

**ALWAYS KEEP THE HAMMER IN THE "SAFE" POSITION UNTIL YOU ARE READY TO FIRE.** This will minimize the risk of an accidental discharge.

**ALWAYS KEEP CLEAR AND KEEP OTHERS CLEAR OF THE EJECTION PORT.** Spent cartridges are ejected with enough force to cause injury. The ejection port must also be unobstructed by your hand to insure safe ejection of spent rounds. Never place fingers in ejection port - they could be burned by hot metal or injured by the bolt moving forward.

**NEVER PUT YOUR FINGER INSIDE THE TRIGGER GUARD UNTIL YOU ARE AIMING AT A TARGET AND READY TO SHOOT.** This will prevent you from firing the firearm when it is pointing in an unsafe direction.

**ALWAYS BE ABSOLUTELY SURE OF YOUR TARGET AND THE AREA BEHIND IT BEFORE YOU SQUEEZE THE TRIGGER.** A bullet could travel through or past your target for up to 1 1/2 miles. If in doubt, don't shoot! Think! What will you HIT if you MISS the target?

**NEVER SHOOT AT A HARD SURFACE SUCH AS ROCK OR A LIQUID SURFACE SUCH AS WATER.** A bullet may ricochet and travel in any direction to strike you or an object you cannot see, causing injury, death or damage to property.

**NEVER DISCHARGE A FIREARM NEAR FLAMMABLE MATERIAL.** Flame and sparks erupt from the firearm when discharged. They could start a fire or cause flammable liquids and gasses to explode.

**NEVER FIRE YOUR FIREARM NEAR AN ANIMAL** unless it is trained to accept the noise - an animal's startled reaction could injure it or cause an accident.



---

NEVER INDULGE IN "HORSEPLAY" WHILE HANDLING YOUR FIREARM because doing so could cause an accidental discharge.

NEVER WALK, CLIMB, OR FOLLOW A COMPANION WITH YOUR FIREARM COCKED AND READY TO FIRE to eliminate risk of accidental discharge. When hunting, hold your firearm so that you can always control the direction of the muzzle.

## MALFUNCTION CAUTIONS

**FAILURE TO FIRE:** IF THE FIREARM FAILS TO FIRE DO NOT PUT IT DOWN OR OPEN THE ACTION. ALWAYS HOLD THE FIREARM, KEEPING IT POINTED IN A SAFE DIRECTION AND WAIT 30 SECONDS. IF A HANGFIRE (SLOW IGNITION) HAS OCCURRED, THE ROUND WILL FIRE WITHIN 30 SECONDS. If the round does not fire, remove the ammunition, eject the round and examine the cartridge. If the firing pin indent on the rim is light or non-existent, have the firearm examined by a competent gunsmith before firing again. If the firing pin indent on the rim appears normal (in comparison with similar previously fired rounds) assume you have faulty ammunition. Segregate the misfired round from other live firearm ammunition and empty cases, reload, and carry on firing.

**Note:** Dispose of misfired rounds in accordance with ammunition manufacturer's instructions.

NEVER USE YOUR FIREARM IF IT FAILS TO FUNCTION PROPERLY, AND NEVER FORCE A JAMMED ACTION. Forcing the action could make the round explode, causing serious injury, possible death, or severe damage to your firearm or other property.

## CLEANING AND STORAGE CAUTIONS

ALWAYS CHECK TO MAKE SURE YOUR FIREARM IS NOT LOADED BEFORE CLEANING, STORING, TRAVELING, LAYING IT DOWN, OR HANDING IT TO ANOTHER PERSON so that it cannot be fired when it is unsafe to do so.

ALWAYS KEEP AND STORE YOUR FIREARM AND AMMUNITION IN SEPARATE, LOCKED LOCATIONS, OUT OF REACH AND SIGHT OF CHILDREN AND UNTRAINED PEOPLE to minimize the risk of rifle and ammunition being easily available for loading and firing by unauthorized persons.

## STORAGE

**CAUTION:** ALWAYS UNLOAD YOUR FIREARM FOR STORAGE AND STORE AMMUNITION SEPARATELY. Keep and store your firearm and ammunition securely locked and in separate locations out of reach and sight of children. Children are naturally curious and do not always understand the real danger of guns.

**NOTE:** Do not store your firearm in an air-tight container, and do not seal or attempt to seal the barrel to exclude dust, as the internal steel surface is more likely to rust or corrode by doing this.

**WARNING:** When you squeeze the trigger, you must expect the gun to fire and you must take full responsibility for firing it. Your care can avoid accidental discharge and you will thereby avoid accidental injury, death and property damage.



## AMMUNITION SELECTION

Henry RAC Firearms are designed to function with a variety of brands and types of factory-manufactured ammunition in the appropriate caliber but not all ammunition produces the same result. Henry RAC recommends that after you read and understand this manual, you go to the range and fire different ammunition which is appropriate to the caliber of your firearm. Once you find the ammunition which functions best, keep using it. Especially when cutting-edge reliability and accuracy are vital to you. When sighting your rifle, shoot a group to determine point of impact on the target. Then make incremental adjustments to center the point of impact on the target bullseye.

**WARNING:** DISCHARGING FIREARMS IN POORLY VENTILATED AREAS, CLEANING FIREARMS OR HANDLING AMMUNITION MAY RESULT IN EXPOSURE TO LEAD, A SUBSTANCE KNOWN TO CAUSE BIRTH DEFECTS, REPRODUCTIVE HARM AND OTHER SERIOUS PHYSICAL INJURY. HAVE ADEQUATE VENTILATION AT ALL TIMES. WASH HANDS THOROUGHLY AFTER EXPOSURE.

**CAUTION:** Always keep the muzzle pointed in a safe direction.

**EXTREMELY IMPORTANT:** YOU MUST BECOME THOROUGHLY FAMILIAR WITH KNOWING HOW TO PLACE THE HAMMER INTO THE SAFETY POSITION AND THE TRIGGER IS IMMOVABLE. YOU MUST PRACTICE THIS PROCEDURE SEVERAL TIMES WITH AN UNLOADED RIFLE TO BECOME THOROUGHLY FAMILIAR WITH IT.

**YOU MUST BECOME FAMILIAR WITH THE FOLLOWING PROCEDURE. DO NOT ATTEMPT TO OPERATE THIS FIREARM UNLESS YOU KNOW HOW TO PLACE THE HAMMER IN THE SAFETY POSITION.**

**Note:** Whenever you need to unlock the forearm in order to pull it back and open the action, pull back on the grooved release button at the right front of the trigger guard. This will enable you to pull the forearm back and open the action.



## SPECS

### ACTION TYPE

PUMP ACTION

### CALIBER

.22 S/L/LR, .22 MAG

### CAPACITY

.22 S/L/LR - 16 LR/21S

### .22 MAG

12 ROUNDS

### BARREL LENGTH/TYPE

OCTAGON BLUED STEEL

H003T - 20"

H003TM - 20.5"

### RATE OF TWIST

.22 AND .22 MAG - 1:16

### OVERALL LENGTH

.22 S/L/LR - 38.5"

.22 MAG - 39"

### WEIGHT

6 LBS

### RECEIVER FINISH

BLACK

### REAR SIGHT

FULLY ADJ. SEMI-BUCKHORN W/

DIAMOND INSERT

### FRONT SIGHT

BRASS BEAD

### SCOPEABILITY

3/8" GROOVED RECEIVER

### STOCK

AMERICAN WALNUT STRAIGHT GRIP

### BUTTPLATE/PAD

BLACK

### LENGTH OF PULL

14"

### SAFETY

1/4 COCK

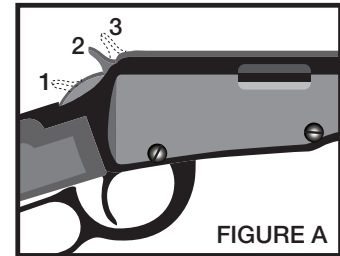
### HANDING

L/R



## HOW TO PLACE THE HAMMER IN THE SAFETY POSITION

There are two ways to set the hammer into the Safety position. Always keep the gun pointed in a safe direction. With the hammer in the fired (down) position (#3 Figure A), cock the hammer back slightly, about a 1/16th to a 1/8th of an inch, until you feel and hear the hammer click into the Safety position (#2 Figure A). The hammer and trigger will now be locked into the Safety position and, if you pull the trigger to fire, the trigger should not move and the hammer should not fall.



The second way to set the safety is to cock the hammer all the way by pulling the forearm back, thus opening the action and pushing the hammer back into the fully-cocked position (#1 Figure A). Then push the forearm fully forward closing the action. **Warning:** This causes a round to be loaded into the chamber and the gun is now ready to fire! Now firmly hold the hammer back with your thumb. While holding the hammer, apply just enough pressure on the trigger to release the hammer from the full cock position. Remove your finger from the trigger very quickly and slowly lower the hammer into the Safety position. The hammer will now be locked into the Safety position and if you pull the trigger to fire the hammer should not fall. **The trick** to setting the Safety this way is to remove your finger very quickly from the trigger when dropping the hammer into the Safety position.

**WARNING:** When the chamber is loaded, never place the hammer in the fired (down) position (#3 Figure A).

**WARNING:** The safety is designed to secure the hammer, holding it from contacting the firing pin. However, this mechanism will not necessarily prevent the accidental discharge of this firearm as a result of jarring, abuse or mishandling.

## HOW TO LOAD YOUR HENRY PUMP ACTION RIFLE

Prior to loading your rifle, make certain that the rifle is not already loaded. Point the muzzle in a safe direction and pull the forearm back to open the action. If a cartridge ejects, proceed with directions on how to unload the magazine tube and empty and clear the chamber. We recommend that you always load a completely unloaded firearm and clear the firearm of any cartridges prior to loading.

Assuming that you are now handling an unloaded firearm, make certain that the barrel, receiver and chamber are free from any grease, oil debris or any other obstruction. Make certain that the ammunition you are about to use is .22 rimfire caliber. Make certain that you are using name-brand, top quality ammunition.



---

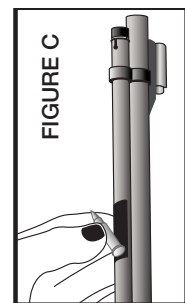
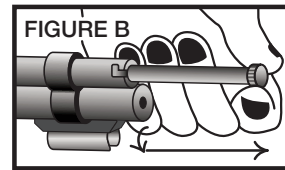
With your new Henry Pump Action .22, you can use .22 Long Rifle, .22 Long or .22 Short. The capacity for .22 Long Rifle is 15 rounds, .22 Long 15-17 rounds, and for .22 Short it is 21 rounds. **WARNING:** You cannot use .22 Magnum rounds in a .22LR or vice versa.

To load the magazine tube, first place the hammer in the Safety Position. To place the hammer into the Safety Position, first point the muzzle in a safe direction. Next, cock the hammer by pulling the forearm back then pushing it forward. Then, firmly hold the hammer back with your thumb.

**Important:** Now, while holding the hammer back with your thumb, apply just a little bit of pressure on the trigger to release the hammer from the full-cock position (Figure A-1) and immediately and simultaneously remove your finger from the trigger. Slowly and carefully allow the hammer to lower into the Safety position. (Figure A-2)

### You are now ready to load.

Twist the inner magazine tube by disengaging the magazine button (Figure B) and pulling the tube out until the orange colored follower is visible through and clears the loading port in the outer magazine tube. With the muzzle pointed upward, insert the rimmed end of the cartridges into the magazine (Figure C) and allow them to slide down towards the action. Do not exceed the capacity of the magazine. Next, push the inner magazine tube back down into position and lock into place. Please be careful when pushing the inner magazine tube in, as it is under spring tension.



The rifle is now ready for operation.

## HOW TO OPERATE YOUR HENRY PUMP ACTION .22 RIFLE

The rifle chamber can now be loaded by pulling the forearm back completely and then pushing it back to a closed position. **Important: The rifle is now set to fire.** The hammer has been moved from the Safety position to the Full-Cock position. Always place the hammer back into the Safety position until you are ready to fire. When ready to fire, take the hammer from the Safety position. Remove your finger off the trigger, firmly grip the hammer with your thumb and draw the hammer back into Full-Cock position.

You are now ready to fire. Take aim, make certain that you are firing in a safe environment, that neither you or any other person is in danger and, when on target, squeeze the trigger.

To chamber the next round, pull the forearm back completely and push it back to the closed position. This process will eject the fired cartridge case from the chamber and transfer a new cartridge from the magazine to the chamber. Important: This leaves the hammer in a full-cocked, ready to fire position. If you are not ready to fire, go into the Safety Position.

When through firing, always place the hammer in the Safety Position. Always unload your gun when you have finished shooting, making certain that the magazine and chamber are empty, before putting your gun away.

---

## HOW TO UNLOAD THE MAGAZINE AND CHAMBER OF YOUR PUMP ACTION RIFLE

To unload the magazine and chamber of a loaded Henry Pump Action Rifle, make sure that the hammer is resting in the Safety position. With the rifle pointing upward or in a safe direction, completely withdraw the inner magazine tube from the gun. Tip the rifle downward, allowing the cartridges to slide out into a suitable container. Replace the inner magazine tube. Very carefully, open the action to eject the chamber round, if any. **Cycle the action multiple times to insure and to be positive that no live rounds remain in the chamber. It is best to do a final visual inspection of the chamber area.**

## SIGHTING YOUR RIFLE

Before making any sight adjustments, check the tubular magazine and the chamber to make sure your gun is completely unloaded. Place the hammer in the safe position.

When sighting your rifle, shoot a group to determine point of impact on the target. Then make incremental adjustments to center the point of impact on the target bullseye.

### Elevation: Up or down adjustments

To shoot higher, move rear sight up. To shoot lower, move rear sight down. There is a secondary adjustment in the white diamond insert of the rear sight. Loosen the screw to the right of the white diamond, raise or lower as needed to correct elevation, then re-tighten the screw.

To adjust for elevation, use your fingertips to gently lift the rear sight notch blade up just enough to free the notched elevator slide so that it can be carefully moved forward or rearward. Move the notched elevator slide forward to shoot lower or rearward to shoot higher.

### Windage: Horizontal Adjustment

If you are shooting to the right of the target, move the rear sight to the left to correct the point of impact. If you are shooting to the left, move the rear sight to the right to correct the point of impact.

The base of the rear sight is dove-tailed into a groove on the barrel. To make horizontal adjustments, the entire dove-tailed base must be moved right or left in its' slot on the barrel. Current models will have a screw on the front of the rear sight assembly. This screw must first be loosened, prior to attempting adjustment. To do this, carefully use a softwood, fiber or plastic dowel, slightly pointed but having a flat point appropriate in size to properly engage the left or right end of the sight base where it slides in the groove on the barrel. Gently tap the dowel with a light hammer and be very careful not to mar or damage the barrel or sight base. To help you determine how far you have moved the sight, right or left, a soft pencil can be used. The front edge of the rear sight base comes to a point where it rests on the barrel. At the point of the sight base, lightly make a small mark with the pencil and carry it straight down to make a small adjoining mark on the barrel. This will show you how far to the right or left you have moved the sight base. When your adjustments are completed, the marks can easily be wiped off with a lightly-oiled, soft cloth. It should also be remembered that if you change the brand or type of .22 ammunition you are using, sighting adjustments are a normal expectation.

---

## HOW TO CLEAN YOUR HENRY PUMP ACTION RIFLE

Make certain to clean your rifle after firing. We suggest that you purchase a current, name brand, top quality rifle cleaning kit. Make sure that the rifle is empty, and open the action. Using a cleaning rod with a lightly-oiled patch, run the rod from the muzzle end of the barrel down toward the breech area, cleaning the bore and chamber. Use a cleaning swab to remove all debris from the chamber area as well as the face of the bolt. It is important to make certain that there is no debris in the chamber area or on the face of the bolt. The balance of the bolt assembly and action are maintenance free.

**IMPORTANT** – PLEASE NOTE THAT THE RIFLE DOES NOT COME APART FOR CLEANING AND THAT THERE IS NO REASON TO TAKE IT APART FOR CLEANING. WARNING! DO NOT USE ABRASIVES SUCH AS GUN SCRUBBER. USE ONLY MILD SOLVENTS OR GUN OILS SUCH AS BREAKFREE, KLEENBORE FORMULA 3, OUTER SOLVENTS OR HOPPES #10.

## MAINTENANCE

Be sure that your gun is unloaded before attempting to clean.

The gun owner is responsible for periodic inspection and proper maintenance by a qualified gunsmith to ensure that this firearm remains in proper adjustment and that worn parts are replaced.

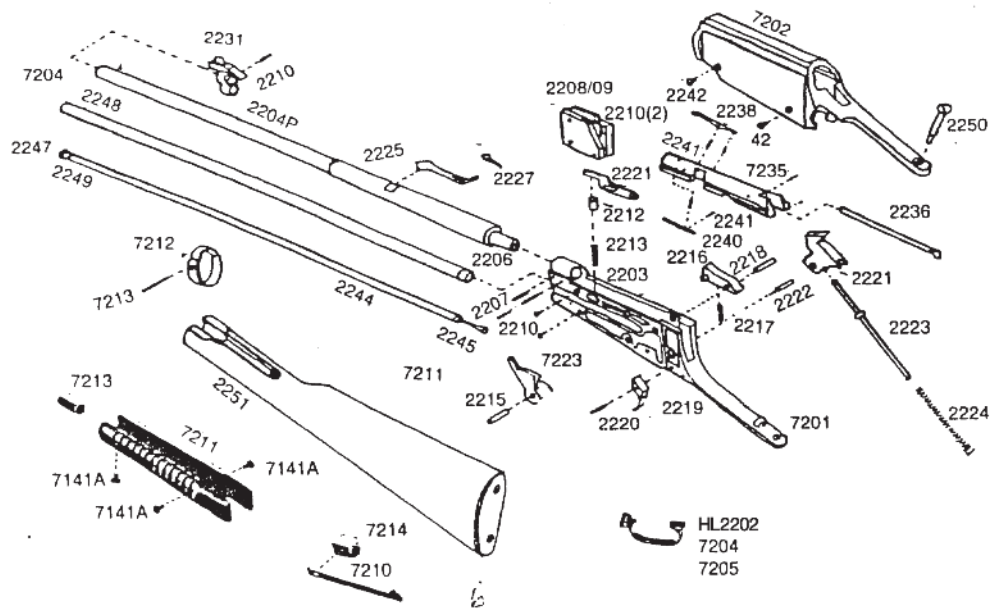
**Remember:** Rust is neglect - Make sure all exposed metal surfaces are coated with a film of oil. After being subjected to damp weather, thoroughly wipe the bore and wipe off the exposed metal surfaces. Then apply a new film of oil to the blued metal surfaces. If exposed to a soaking rain, snow or salt spray a more thorough cleaning and oiling may be necessary, requiring removal of the trigger guard and breech bolt assemblies.

Between seasons, apply a coat of quality gun oil to the bore and blued-metal parts and store in a dry place. Do not plug the barrel or store in a case made of fabric or material which will absorb the lubricant from the gun or retain humidity.

Make certain to thoroughly clean your firearm when finished firing. We suggest that you purchase a name brand, top quality rifle cleaning kit.

Replacement parts are available through the Henry Repeating Arms Company Parts Department. In the following pages you will find a parts diagram and price list. Please be sure to include the catalog number and Serial number of your gun when ordering parts.

## ILLUSTRATION OF PARTS



## LIST OF PARTS

<b>7201</b>	Receiver	<b>7204</b>	Trigger Guard Screw	<b>2240</b>	Ejector
<b>7202</b>	Cover	<b>7205</b>	Trigger Guard Pin	<b>2240</b>	EX-EJ Pin
<b>HL2202</b>	Carrier Level Axle	<b>2221</b>	Hammer	<b>2242</b>	Frame Screw
<b>7204P</b>	Barrel	<b>2222</b>	Hammer Pin	<b>2244</b>	Inner Mag Tube
<b>7206</b>	Cylinder Pin	<b>2223</b>	Hammer Guide	<b>2245</b>	Spring Guide
<b>7207</b>	Taper Pin	<b>2224</b>	Hammer Spring	<b>2246</b>	Spring
<b>7208/09</b>	Carrier	<b>7207</b>	Disconnect	<b>2247</b>	Mag Button
<b>7210</b>	Carrier Screw	<b>7208</b>	Disconnect Spring	<b>2248</b>	Outer Mag Tube
<b>7211</b>	Carrier Feed Lever	<b>7209</b>	Disconnect Pin	<b>2249</b>	Stud Pin
<b>7212</b>	Carrier Feed Lever Tube	<b>2225</b>	Rear Sight	<b>2250</b>	Stock Screw
<b>7213</b>	Carrier Feed Lever Spring	<b>2227</b>	Slide	<b>7251</b>	Stock
<b>7223</b>	Action Lever	<b>7212</b>	Barrel Band	<b>2254</b>	Trig Pin
<b>7215</b>	Lever Pin	<b>7213</b>	Barrel Band Pin	<b>7210</b>	Operating Slide
<b>7216</b>	Locking Bar	<b>2231</b>	Front Sight	<b>7211</b>	Forearm
<b>7217</b>	Lock Bar Spring	<b>7235</b>	Bolt	<b>7214</b>	Bushing Guide
<b>7218</b>	Lock Bar Pin	<b>2236</b>	Firing Pin	<b>7215</b>	Sleeve
<b>7219</b>	Trigger	<b>2237</b>	Firing Pin Spring	<b>7141</b>	Forearm Screw
<b>7220</b>	Trigger Spring	<b>2238</b>	Extractor	<b>7141A</b>	Washer
<b>7203</b>	Trigger Guard	<b>2239</b>	EX-EJ Spring		

**⚠ WARNING:** This product can expose you to chemicals including lead, which is known to the State of California to cause cancer and birth defects or other reproductive harm. For more information go to [www.P65Warnings.ca.gov/product](http://www.P65Warnings.ca.gov/product).

---

## GUN PARTS

An illustration and list of part names are included in this manual. Please note that not all parts are available for sale. Those parts which are available should be installed by a licensed gunsmith. When ordering parts, please give part name and part number.

**Important:** If you make unauthorized adjustments or use unauthorized parts, Henry Repeating Arms Company will not assume responsibility for the proper functioning of the firearm.

THIS GUN IS MANUFACTURED TO PERFORM PROPERLY WITH THE ORIGINAL PARTS AS DESIGNED. IT IS YOUR DUTY TO MAKE SURE ANY PARTS YOU BUY ARE INSTALLED CORRECTLY AND THAT NEITHER REPLACEMENTS NOR ORIGINALS ARE ALTERED OR CHANGED. THIS IS WHY WE SAY TAKE IT TO A LICENSED GUNSMITH STATION. YOUR GUN IS A COMPLEX TOOL WITH MANY PARTS THAT MUST RELATE CORRECTLY TO OTHER PARTS. PUTTING A GUN TOGETHER WRONG OR WITH MODIFIED PARTS CAN RESULT IN A DAMAGED GUN, DANGER, AND INJURY OR DEATH TO YOU AND OTHERS THROUGH MALFUNCTION. ALWAYS LET A QUALIFIED GUNSMITH WORK ON YOUR GUN AND CHECK ANY WORK YOU THINK WAS NOT PERFORMED BY A GUNSMITH.

## SERVICING AND REPAIR

If you believe that your Henry firearm requires repair or adjustment, we suggest that you first contact our Customer Service by visiting the "Contact Us" page on our website, or by phone at 201.858.4400. It may be a problem that we can resolve by phone or by sending a replacement part. For international customers please visit the "Contact Us" page on our website for instructions.

In the unlikely event that your firearm requires adjustments or repair, please make certain that it is unloaded and send it to us at the following address:

HRAC

**Att: Repair Dept.**

59 East 1st Street

Bayonne, New Jersey 07002

Enclose an explanation of the problem in as much detail as possible.

Make certain to include your complete name, address, phone number and serial number. Make sure your firearm is packaged to prevent it from being damaged. The package should be insured to protect against LOSS OR THEFT.

DO NOT INCLUDE "HENRY REPEATING ARMS" IN THE ADDRESS ON THE PACKAGE, IN ORDER TO PREVENT AN INQUISITIVE THIEF FROM BEING ATTRACTED TO IT BY SUCH INFORMATION.

YOU CAN USE THE ORIGINAL BOX FOR RETURN, HOWEVER, YOU SHOULD MAKE SURE IT IS WRAPPED IN A BROWN OR OTHER COLORED PAPER AS TO NOT INDICATE THAT THE BOX CONTAINS A FIREARM. THIS HELPS TO MAINTAIN THE CONFIDENTIALITY OF YOUR RIFLE TO ENSURE IT GETS BACK TO US SAFELY.

## NEW PRODUCTS FROM HENRY

Henry Repeating Arms Company will endeavor to introduce and manufacture other fine firearms, all made in America, of high quality and at affordable prices.

Telephone: **201-858-4400** • Fax: **201-858-4435** • Website: **www.henryusa.com**



---

## SOCIALIZE WITH HENRY AND HENRY OWNERS

Keep up to date with new inventions and products from Henry as well as meet other Henry owners around the country by joining the conversation and liking our social media accounts:

 [www.facebook.com/henryrepeating](http://www.facebook.com/henryrepeating)

 @Henry\_Rifles

 @HenryRifles

 [www.youtube.com/c/HenryriflesUSA](http://www.youtube.com/c/HenryriflesUSA)

Be the first to know about new products and events by subscribing to our e-mail list: [www.henryusa.com/maillinglist](http://www.henryusa.com/maillinglist)

## HENRY CUSTOMER PHOTOS

You may already be famous, but if not, we invite you to send a photo with your Henry for a possible website appearance to: [info@henryusa.com](mailto:info@henryusa.com)

## HENRY ACCESSORIES

Made in America, just like our rifles! Find apparel, slings, scope mounts, gun cases, display cases and more at [www.henrypride.com](http://www.henrypride.com)

# History and Thank You



**Benjamin Tyler Henry.**  
His invention: The Henry Rifle.

Thank you for purchasing your new Henry Firearm. We are proud to have crafted this firearm for you in the great tradition of the Henry Repeating Rifle which dates back to 1860 when the first effective, lever-action repeating rifle was developed by Benjamin Tyler Henry. The lever action is America's unique contribution to international firearms design; We go to great lengths to provide the highest quality of design and craftsmanship for each and every one of our American-Made firearms. You are now a part of the Henry family, and we are thankful to have your support. Your new Shotgun should provide you and your family with many years of safe enjoyment and pride of ownership.

It is imperative that these cautions and operating instructions be thoroughly studied and understood before using your new firearm, in order to ensure proper and safe gun handling. Failure to follow these cautions, warnings and operating instructions could result in damage to your gun or to other property or could result in injury or death to yourself or to others.