

SIGSAUER®



P365® PISTOLS

OPERATOR'S MANUAL: HANDLING & SAFETY INSTRUCTIONS



READ THE INSTRUCTIONS AND WARNINGS IN THIS MANUAL CAREFULLY BEFORE USING THIS FIREARM.
DO NOT DISCARD THIS MANUAL.

THIS MANUAL SHOULD ALWAYS ACCOMPANY THIS FIREARM AND BE TRANSFERRED WITH IT UPON
CHANGE IN OWNERSHIP, OR WHEN THE FIREARM IS PRESENTED TO ANOTHER PERSON.



WARNINGS

1.0 SAFETY WARNINGS

READ THIS ENTIRE MANUAL THOROUGHLY AND CAREFULLY PRIOR TO USING THIS FIREARM.

The warnings in this operators manual are extremely important. By understanding the dangers inherent in the use of any firearm, and by taking the precautions described in this manual, you can experience a high level of safety in the use of your firearm. Failure to heed any of these warnings may result in serious injury or death to you or others, as well as severe damage to the firearm or other property.

WARNINGS in this manual identify a clear danger to the person performing that procedure. Warnings are identified by a red banner with the word **WARNING** in white, bold, uppercase letters and a **WARNING** icon. Failure to comply with a **WARNING** can result in serious injury or death to you or a bystander.



WARNING

CAUTIONS in this manual identify a risk of damage to the firearm being maintained. **CAUTIONS** are identified by a black banner with the word **CAUTION** in white, bold, uppercase letters.

CAUTION



WARNINGS

SIG SAUER

As a valued SIG SAUER customer, we encourage you to visit sigsauer.com. There you will find links to product information and updates, merchandise promotions, and educational videos that will be of interest to you as an owner of SIG SAUER products.

SIG SAUER firearms are designed to function reliably with proper care and knowledgeable use. You must understand the safe operation and use of your SIG SAUER firearm. Read and follow these instructions carefully. Do not use the firearm unless you fully understand these instructions and the safe operation of your firearm. Failure to heed any of these instructions may result in serious injury or death to you or others, as well as severe damage to the firearm or other property.

Your firearm comes equipped with effective, well-designed safety features. However, never rely completely on any safety mechanism. Safety mechanisms are designed to augment, not replace safe handling practices. Careless and improper handling of any firearm can result in an unintentional discharge.

Only your safe firearm handling habits will ensure the safe use of your firearm. Like all mechanical devices, the safety mechanisms are subject to breakage or malfunction and can be negatively affected by wear, abuse, dirt, corrosion, incorrect assembly, improper adjustment or repair, or lack of maintenance. Moreover, there is no such thing as a safety mechanism that is “childproof” or that can completely prevent accidental discharge from improper usage, carelessness, “horseplay”, or abusive handling.

The best safety is proper and applied training in safe firearm handling. Always handle your firearm as though you expect the safeties not to work.



WARNINGS

1.0 SAFETY WARNINGS - CONTINUED

Do not load a cartridge into the chamber until you are ready to use the firearm. If your firearm is equipped with a manual safety, keep the safety ON until you are actually ready to use the firearm. Always move the safety fully to its engaged position and visually check it. The safety is not ON unless it is completely ON.

ABUSIVE HANDLING

SIG SAUER firearms incorporate effective mechanical safeties. However, like any mechanical device, exposure to abusive conditions may have a negative effect on these safety mechanisms and cause them to fail to work as designed. Do not subject your SIG SAUER firearm to any type of abusive handling. This includes the firearm being dropped, impact to the firearm, or the firearm being struck by another object. Make sure you always maintain control of your firearm at all times. If your firearm does suffer an abusive event such as previously described, do not attempt to use the firearm. Keep the firearm pointed in a safe direction, unload and clear the firearm of all ammunition immediately, and have it inspected by a certified SIG SAUER armorer or gunsmith prior to using the firearm.

A safe direction is defined as an area in which, if the firearm were to discharge, no property damage would occur and no personal injury would result.

As previously noted, if your SIG SAUER firearm does suffer an abusive event, unload it immediately and have it inspected by a certified SIG SAUER Armorer prior to using the firearm. If your firearm suffers an abusive event during a life-threatening/self-defense situation, you must apply immediate action by;



WARNINGS

SIG SAUER

1. Pulling the slide completely rearward to eject the chambered cartridge.
2. Releasing the slide to chamber a new cartridge and resetting the trigger mechanism. (Do not ride the slide forward)
3. The firearm is now returned to proper operational condition.

Intentional or repetitive abusive handling of any SIG SAUER firearm will void the manufacturer's warranty and could render the firearm unsafe.

REPLACEMENT PARTS

Do not attempt to disassemble your SIG SAUER firearm beyond the point explained in this manual. Disassembly beyond the instructions in this manual is restricted to a certified SIG SAUER armorer or professional gunsmith. Failure to comply with these restrictions will void your warranty.

Warnings and instructions about the use of some SIG SAUER replacement parts, assemblies, and accessories may be described in literature accompanying the specific products. Read and carefully follow those instructions. Such warnings and instructions are provided to assure the safe functioning of the firearm. Failure to heed them may result in improper functioning, damage to the firearm, and serious injury or death to you or others.

ALTERATIONS

This SIG SAUER firearm was designed to function properly in its original condition. Unauthorized alterations can make it unsafe. Do not alter any part or add or substitute any parts or accessories not manufactured by SIG SAUER for this pistol. The addition of any parts or accessories beyond the user level of maintenance described in this manual is not authorized.



WARNINGS

1.0 SAFETY WARNINGS - CONTINUED

ACCESSORIES

It is your responsibility to ensure that all accessories, such as holsters and firearm-mounted lights, are compatible with this firearm and that the accessories do not interfere with the safe operation and handling of the firearm. If you are lawfully carrying the firearm concealed, you must ensure that the holster you choose is made for your particular firearm and designed for the type of carry in which you intend to engage.

TRANSPORTING

When transporting your firearm, be sure the firearm is unloaded and cleared of all ammunition. It is your responsibility to familiarize yourself with the laws of any state you will be traveling through with your firearm.

STORAGE

The only safe way to store your firearm is unloaded, cleared of all ammunition, and secure. Safe and secure storage is one of your most important responsibilities. Store your unloaded firearm separate from your ammunition and in places inaccessible to children or unauthorized persons.

CHAMBER SAFETY FLAG

Every SIG SAUER firearm is shipped with a chamber safety flag. The chamber safety flag prevents the chambering of a round when installed and provides a readily visible indication that the firearm's chamber is empty. The chamber safety flag is to be installed in the firearm's chamber at all times when the firearm is not in use. Many public ranges require chamber safety flags be installed when the firing line is cold.



WARNINGS

SIG SAUER

LIABILITY

PISTOLS are classified as FIREARMS and are sold by SIG SAUER with the specific understanding that we shall not be responsible in any manner whatsoever for malfunctioning of the firearm, physical injury, or property damage resulting in whole or in part from:

- Criminal or negligent discharge
- Improper, careless, or abusive handling
- Unauthorized modifications or parts replacement
- Defective, improper, hand-loaded, or reloaded ammunition
- Corrosion
- Neglect
- Other influences beyond our direct and immediate control

This limitation applies regardless of whether liability is asserted on the basis of contract, negligence, or strict liability (including any failure to warn). Under no circumstance shall SIG SAUER, Inc. be liable for incidental or consequential damages such as loss of use of property, commercial loss, and loss of earnings or profits.



WARNINGS

BASIC RULES OF SAFE FIREARMS HANDLING

1. ALWAYS treat every firearm as if it were loaded.
2. ALWAYS be sure the barrel is clear of any obstruction.
3. ALWAYS be sure of your backstop, what lies beyond, and the safety of bystanders before you shoot.
4. ALWAYS use clean, dry, original factory-made ammunition of the proper type and caliber for your firearm.
5. ALWAYS wear ear protection and safety glasses when shooting.
6. ALWAYS carry your firearm so that you can control the direction of the muzzle if you fall or stumble.
7. NEVER shoot at a flat surface or water.
8. DO NOT leave a loaded firearm unattended. Firearms and ammunition should be stored separately, locked if possible, beyond the reach of children, careless adults, or unauthorized users.
9. NEVER allow your firearm to be used by anyone who has not read and understood this operators manual.
10. DO NOT point any firearm, loaded or unloaded, at any undesired or unsafe target.
11. NEVER discharge your firearm near an animal unless the animal is trained to accept the noise. An animal's startled reaction could injure it or cause an accident.
12. NEVER drink alcoholic beverages or use drugs before or during shooting, as your vision and judgment could be seriously impaired, making your firearm handling unsafe.



WARNINGS

SIG SAUER

1.1 EYE AND EAR PROTECTION



Always wear safety glasses that meet the requirements of American National Standards Institute (ANSI) z87.1 and ear plugs and “ earmuff”-type protectors whenever you are shooting. Always make certain that persons close to you are similarly protected. Unprotected eyes may be injured by powder, gas, carbon residue, lubricant, metallic particles, or similar debris that may emanate occasionally from any firearm in normal use. Without ear protection, repeated exposure to shooting noise may lead to cumulative, permanent hearing loss.

1.2 AMMUNITION

Use only high-quality, original, factory-manufactured ammunition. Do not use cartridges that are dirty, wet, corroded, bent, or damaged. Do not oil cartridges. Do not spray aerosol-type lubricants, preservative, or cleaners directly onto cartridges or where excess spray may flow into contact with cartridges. Lubricant or other foreign matter on cartridges can cause potentially dangerous ammunition malfunctions. Use only ammunition of the caliber for which your firearm is chambered. The proper caliber is permanently engraved on your firearm; never attempt to use ammunition of any other caliber.

The use of reloaded, “re-manufactured” hand-loaded, or other nonstandard ammunition voids all warranties. Reloading is a science and improperly loaded ammunition can be extremely dangerous.



WARNINGS

1.2 AMMUNITION - CONTINUED

Severe damage to the firearm and serious injury or death to the shooter or to others may result. Always use ammunition that complies with the industry performance standards established by the Sporting Arms and Ammunition Manufacturers' Institute, Inc. (SAAMI) or ammunition manufactured to U.S. military specifications.

SIG SAUER, Inc. specifically disclaims responsibility for any damage or injury whatsoever occurring in connection with, or as a result of, the use in any SIG SAUER firearm of faulty, nonstandard, "re-manufactured" hand-loaded (reloaded) ammunition, or cartridges other than those for which the firearm was originally chambered.

Firearms may be severely damaged and serious injury or death to the shooter or to others may result from any condition causing excessive pressure inside the chamber or barrel during firing. Excessive pressure can be caused by obstructions in the barrel, propellant powder overloads, the use of incorrect cartridges, or defectively assembled cartridges. In addition, the use of a dirty, corroded, or damaged cartridge can lead to a burst cartridge case and consequent damage to the firearm and personal injury from the sudden escape of high-pressure propellant gas within the firearm's mechanism.

OBSTRUCTED BORE

Immediately stop shooting, keep the pistol pointed in a safe direction whenever:

- You have difficulty in, or feel unusual resistance in, chambering a cartridge;
- A cartridge misfires (does not go off);
- The mechanism fails to extract a fired cartridge case;
- Unburned grains of propellant powder are discovered spilled in the mechanism;
- A shot sounds weak or abnormal. It is possible that a bullet is lodged part way down the barrel.



WARNINGS

SIG SAUER

- Firing a subsequent bullet into the obstructed barrel can damage the firearm and cause serious injury to the shooter or to bystanders.

Bullets can become lodged in the barrel when:

- The cartridge has been improperly loaded without propellant powder, or if the powder fails to ignite (ignition of the cartridge primer alone will push the bullet out of the cartridge case, but usually does not generate sufficient energy to expel the bullet completely from the barrel);
- The bullet is not properly seated in the cartridge case. When such a cartridge is extracted from the chamber without being fired, the bullet may be left behind in the bore at the point where the rifling begins. Subsequent chambering of another cartridge may push the first bullet further into the bore.

If there is any reason to suspect that a bullet is obstructing the barrel, immediately unload and clear the firearm. Field strip the pistol and look through the bore of the barrel. It is not sufficient to merely look in the chamber. A bullet may be lodged some distance down the barrel where it cannot easily be seen.

If a bullet is in the bore, do not attempt to shoot it out by using another cartridge or by blowing it out with a blank or a cartridge from which the bullet has been removed. Such techniques can generate excessive pressure, damage the firearm, and cause serious personal injury or death.

If the bullet can be removed by tapping it with a cleaning rod, clean any unburned powder grains from the bore, chamber, and mechanism, before resuming shooting. If the bullet cannot be dislodged by tapping it with a cleaning rod, take the firearm to a gunsmith or certified SIG SAUER Armorer.



WARNINGS

1.2 AMMUNITION - CONTINUED

Dirt, corrosion, or other foreign matter on a cartridge can impede chambering and may cause the cartridge case to burst upon firing. A damaged or deformed cartridge may also impede chambering or cause the cartridge case to burst upon firing.

Do not lubricate cartridges, and be sure to wipe the chamber clean of any oil or preservative before shooting. Oil interferes with the friction between cartridge case and chamber wall that is necessary for safe functioning, and subjects the firearm to stress similar to that imposed by excessive pressure.

Use lubricants sparingly on the moving parts of your firearm. Avoid excessive spraying of any aerosol gun care product, especially where it might get on ammunition. All lubricants and aerosol spray lubricants in particular can penetrate cartridge primers and cause misfires. Some highly penetrative lubricants can also migrate inside cartridge cases and cause deterioration of the propellant powder; on firing, the powder might not ignite. If only the primer ignites, there is danger that the bullet may become lodged in the barrel.

Death, serious injury, and damage to the firearm can result from the use of wrong ammunition, bore obstructions, powder overloads, or incorrect cartridge components. Always wear shooting glasses and hearing protectors.



WARNINGS

SIG SAUER



WARNING: CANCER AND REPRODUCTIVE HARM—www.P65warnings.ca.gov



DISCHARGING FIREARMS IN POORLY VENTILATED AREAS, CLEANING FIREARMS, OR HANDLING AMMUNITION MAY RESULT IN EXPOSURE TO LEAD AND OTHER SUBSTANCES KNOWN TO THE STATE OF CALIFORNIA TO CAUSE BIRTH DEFECTS, REPRODUCTIVE HARM, AND OTHER SERIOUS PHYSICAL INJURY. MAINTAIN ADEQUATE VENTILATION AT ALL TIMES. WASH HANDS THOROUGHLY AFTER EXPOSURE. SHOOTING OR CLEANING FIREARMS MAY EXPOSE YOU TO LEAD



WARNINGS

1.3 STATE-BY-STATE WARNINGS

Certain states require, by law, that their own specified warning notices, in larger than-normal type be conspicuously included by the manufacturer, distributor, or retail dealer with firearms sold in that state. SIG SAUER sells its products in compliance with applicable laws and regulations. Because our products may be sold in these states, we include the following:



CALIFORNIA: WARNING

Firearms must be handled responsibly and securely stored to prevent access by children and other unauthorized users. California has strict laws pertaining to firearms, and you may be fined or imprisoned if you fail to comply with them. Visit the Web site of the California Attorney General at <https://oag.ca.gov/firearms> for information on firearm laws applicable to you and how you can comply. Prevent child access by always keeping guns locked away and unloaded when not in use. If you keep a loaded firearm where a child obtains and improperly uses it, you may be fined or sent to prison."

If you or someone you know is contemplating suicide, please call the National Suicide Prevention Lifeline at 1-800-273 TALK (8255).



ADVERTENCIA

Las armas de fuego deben manipularse de manera responsable y segura para evitar el acceso de niños y otros usuarios no autorizados. California tiene leyes estrictas relacionadas con armas de fuego, y usted puede ser multado o encarcelado si no las cumple. Visite el sitio web del fiscal general de California en <https://oag.ca.gov/firearms> para obtener información sobre las leyes de armas de fuego que son aplicables y cómo puede cumplirlas. Evite el acceso de niños manteniendo siempre las armas bloqueadas y descargadas cuando no estén en uso. Si mantiene un arma de fuego cargada donde un niño puede obtener y la usa indebidamente, se le puede multar o enviar a prisión.

Si usted o alguien que conoce está contemplando el suicidio, llame a la Línea Nacional de Prevención del Suicidio al 1-800-273 TALK (8255).



WARNINGS

SIG SAUER

CONNECTICUT:

"UNLAWFUL STORAGE OF A LOADED FIREARM MAY RESULT IN IMPRISONMENT OR FINE."

FLORIDA:

"IT IS UNLAWFUL, AND PUNISHABLE BY IMPRISONMENT AND FINE, FOR ANY ADULT TO STORE OR LEAVE A FIREARM IN ANY PLACE WITHIN THE REACH OR EASY ACCESS OF A MINOR UNDER 18 YEARS OF AGE OR TO KNOWINGLY SELL OR OTHERWISE TRANSFER OWNERSHIP OR POSSESSION OF A FIREARM TO A MINOR OR A PERSON OF UNSOUND MIND."

MAINE:

"ENDANGERING THE WELFARE OF A CHILD IS A CRIME. IF YOU LEAVE A FIREARM AND AMMUNITION WITHIN EASY ACCESS OF A CHILD, YOU MAY BE SUBJECT TO FINE, IMPRISONMENT OR BOTH. KEEP FIREARMS AND AMMUNITION SEPARATE. KEEP FIREARMS AND AMMUNITION LOCKED UP. USE TRIGGER LOCKS."

MARYLAND:

"WARNING: CHILDREN CAN OPERATE FIREARMS WHICH MAY CAUSE DEATH OR SERIOUS INJURY. IT IS A CRIME TO STORE OR LEAVE A LOADED FIREARM IN ANY LOCATION WHERE AN INDIVIDUAL KNEW OR SHOULD HAVE KNOWN THAT AN UNSUPERVISED MINOR WOULD GAIN ACCESS TO THE FIREARM. STORE YOUR FIREARM RESPONSIBLY!"



WARNINGS

MASSACHUSETTS:

“WARNING FROM THE MASSACHUSETTS ATTORNEY GENERAL: This handgun is not equipped with a device that fully blocks use by unauthorized users. More than 200,000 firearms like this one are stolen from their owners every year in the United States. In addition, there are more than a thousand suicides each year by younger children and teenagers who get access to firearms. Hundreds more die from accidental discharge. It is likely that many more children sustain serious wounds, or inflict such wounds accidentally on others. In order to limit the chance of such misuse, it is imperative that you keep this weapon locked in a secure place and take other steps necessary to limit the possibility of theft or accident. Failure to take reasonable preventative steps may result in innocent lives being lost, and in some circumstances may result in your liability for these deaths.”



WARNINGS

SIG SAUER

MASSACHUSETTS: - Continued

“IT IS UNLAWFUL TO STORE OR KEEP A FIREARM, PISTOL, SHOTGUN OR MACHINE GUN IN ANY PLACE UNLESS THAT WEAPON IS EQUIPPED WITH A TAMPER RESISTANT SAFETY DEVICE OR IS STORED OR KEPT IN A SECURELY LOCKED CONTAINER.”

NEW JERSEY:

“IT IS A CRIMINAL OFFENSE TO LEAVE A LOADED FIREARM WITHIN EASY ACCESS OF A MINOR.”

NEW YORK CITY, NY:

“THE USE OF A LOCKING DEVICE OR SAFETY LOCK IS ONLY ONE ASPECT OF RESPONSIBLE FIREARMS STORAGE. FOR INCREASED SAFETY, FIREARMS SHOULD BE STORED UNLOADED AND LOCKED IN A LOCATION THAT IS BOTH SEPARATE FROM THEIR AMMUNITION AND INACCESSIBLE TO CHILDREN AND OTHER UNAUTHORIZED PERSONS.”



WARNINGS

NORTH CAROLINA:

Any person who resides in the same premises as a minor, owns or possesses a firearm, and stores or leaves the firearm (i) in a condition that the firearm can be discharged and (ii) in a manner that the person knew or should have known that an unsupervised minor would be able to gain access to the firearm, is guilty of a Class 1 misdemeanor if a minor gains access to the firearm without the lawful permission of the minor's parents or a person having charge of the minor and the minor:

- (1) Possesses it in violation of G.S. 14-269.2(b)
- (2) Exhibits it in a public place in a careless, angry, or threatening manner;
- (3) Causes personal injury or death with it not in self defense; or
- (4) Uses it in the commission of a crime.

TEXAS:

"IT IS UNLAWFUL TO STORE, TRANSPORT, OR ABANDON AN UNSECURED FIREARM IN A PLACE WHERE CHILDREN ARE LIKELY TO BE AND CAN OBTAIN ACCESS TO THE FIREARM."

WISCONSIN:

"IF YOU LEAVE A LOADED FIREARM WITHIN THE REACH OR EASY ACCESS OF A CHILD YOU MAY BE FINED OR IMPRISONED OR BOTH IF THE CHILD IMPROPERLY DISCHARGES, POSSESSES, OR EXHIBITS THE FIREARM."

Please check with your licensed retailer, state police, or local police for additional warnings, which may be required by local law or regulation. Such regulations change constantly, and local authorities are in the best position to advise you on such legal matters.



WARNINGS

SIG SAUER

1.4 LOCKING DEVICES



All firearms are originally shipped with a key-operated locking device, except for Custom Works firearms that are shipped with a lockable case.

Although it can help provide secure storage for your unloaded firearm, any locking device can fail.

All firearms are designed to fire if they are loaded and the trigger is pressed.

Therefore, never install the locking device inside the trigger guard or in any way that makes it possible to press the trigger! Do not leave the keys in the lock.

The ultimate responsibility for secure storage of any firearm must depend upon its owner and his or her individual circumstances.

Firearms should be stored unloaded, in a secure location, separate from their ammunition.

To maximize effectiveness and reduce the chances of malfunction or damage to a firearm, ALWAYS refer to the locking device's manufacturer directions for installation and removal of the device.



WARNINGS

1.5 SAFETY INFORMATION

This operator's manual is designed to assist you in learning how to use and care for your SIG SAUER® firearm properly.

Only when you are certain that you fully understand this manual and can properly carry out its instructions, should you practice loading and firing your firearm with live ammunition. Having a firearm in your possession is a full-time job; you cannot guess and you cannot forget. You must know how to use your firearm safely.

If you have any doubts about your ability to handle or use this firearm safely, you should seek supervised instruction.

The SIG SAUER Academy provides all levels of firearms safety and skill training, from beginner to expert.

For more information contact:

SIG SAUER[®]
ACADEMY

sigsaueracademy.com • (603) 610-3400
Epping, New Hampshire

SAFETY MUST BE THE FIRST AND CONSTANT CONSIDERATION OF EVERY PERSON WHO HANDLES FIREARMS AND AMMUNITION.

For more information about safety, responsible firearms ownership, and shooting sports, contact:
National Rifle Association (NRA) of America
11250 Waples Mill Road, Fairfax, VA 22030-7400 • 1-800-672-3888
nra.com

THIS PAGE INTENTIONALLY LEFT BLANK



Contents

1.0 Safety Warnings	2
1.1 Eye And Ear Protection.	9
1.2 Ammunition.	9
1.3 State-By-State Warnings.	14
1.4 Locking Devices	19
1.5 Safety Information	20
2.0 Mechanical Characteristics.	24
2.1 Description of Firearm	24
2.2 Main Components and Operator Controls (Standard Controls)	26
2.3 Main Components and Operator Controls (P365 SAS/P365 SAS-C)	28
3.0 Handling	30
3.1 Preparation Instructions	30
3.2 Manual Safety–Equipped Pistols.	31
3.3 Loading the Magazine	32
3.4 Loading the Pistol	34
3.5 Reloading During Shooting.	38
4.0 Firing	40
4.1 Stoppages And Malfunctions.	41
4.2 Minimizing Stoppages	43
4.3 Firing the Pistol.	44
5.0 Unloading the Pistol	45
5.1 Unloading the Pistol (Magazine Not Empty)	46
5.2 Unloading the Pistol (Magazine Empty, Slide Open).	49
6.0 Troubleshooting Guide	52
7.0 Maintenance	54
7.1 Pistol Disassembly	55
7.2 Magazine Disassembly.	58
7.3 Cleaning and Lubrication.	62
7.4 Pistol Assembly.	68

7.5 Magazine Assembly	74
7.6 Function Verification	77
8.0 Pistol Adjustments	81
8.1 Torque Specifications.	82
8.2 Sight Plate Removal and Installation.	83
8.3 Optic Filler Plate Removal and Installation.	85
8.4 RomeoZero Red Dot Optic Installation and Removal	87
8.5 Magazine Catch Removal and Installation	90
8.6 Fire Control Unit (FCU) Removal and installation	93
9.0 Sights.	98
9.1 Windage (Left/Right) Adjustments	100
9.2 Elevation (Up/Down) Adjustments	101
9.3 Bullseye® Sight (SAS only)	102
10.0 Storage and Transportation.	103
11.0 Service and Parts Policy	106
12.0 Shipping Firearms for Repair	108
13.0 P365 Parts Diagram	110
13.1 P365 XSERIES Parts Diagram	111
13.2 P365 XL Parts Diagram	112
13.3 P365 SAS Parts Diagram	113
13.4 P365 Spectre Comp Slide Parts Diagram	114
13.5 Optional Magazines.	115
14.0 Technical Specifications.	116
14.1 Specifications by Model.	116
SIG SAUER® Firearms Limited Lifetime Warranty	118
SIG SAUER® Limited Lifetime FCU Warranty	120



2.0 MECHANICAL CHARACTERISTICS

2.1 DESCRIPTION OF FIREARM

2.1.1 GENERAL

The SIG SAUER P365 pistol is a modern handgun incorporating the latest technical advances in firearm design for military, law enforcement, and sporting use. The P365 is offered in .380 and 9mm. The P365 is a mechanically locked, short-recoil-operated, striker-fired pistol with semi-automatic reloading. Firing takes place with each press of the trigger until the magazine is empty. The slide remains open after the last round has been fired from the magazine.

2.1.2 PRINCIPAL FEATURES

The striker safety lock and disconnect safety ensure safe carrying of the firearm and provide instant readiness without actuating a manual safety unless so equipped.

Distinctive high-contrast sights, in conjunction with the ergonomically correct grip, ensure rapid target acquisition and engagement, even under poor lighting conditions.

You can easily reconfigure the magazine catch for left hand or right hand operation.

The P365 grip module has a feature enabling the attachment of SIG SAUER tactical accessories.

The closed design of the pistol helps keep dirt and other debris from entering the pistol, reducing the likelihood of a malfunction in harsh environmental conditions.

All P365 models, except P365 SAS, are offered with optional ambidextrous manual safeties.

Optional 12 and 15-round magazines are available for all P365 models.

P365 - .380



P365 - 9mm



P365 - SAS



P365XL



P365X



P365 - SPECTRE COMP





2.2 MAIN COMPONENTS AND OPERATOR CONTROLS (STANDARD CONTROLS)

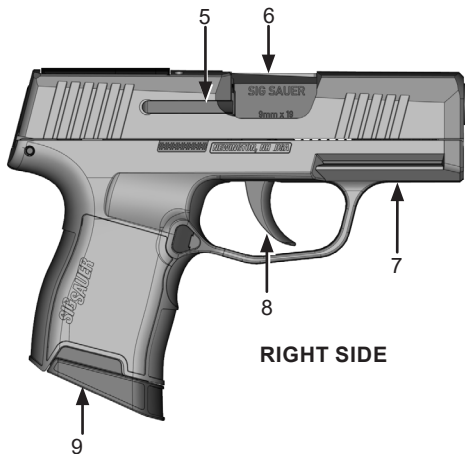
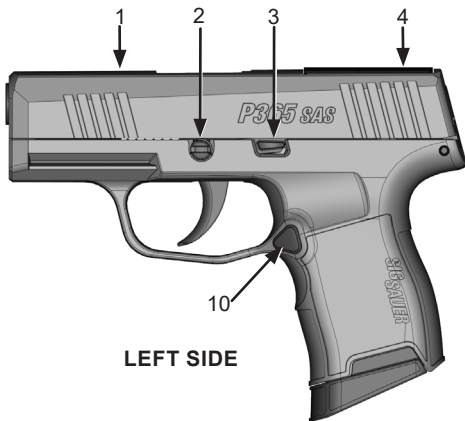


TABLE 1. OPERATOR CONTROLS AND FEATURES

1	Front Sight	The means of aiming the pistol.
2	Slide	Houses extractor,striker assembly, and sights.
3	Takedown Lever	Allows the slide to be removed from the frame.
4	Slide Catch Lever	Locks slide to rear upon firing of last cartridge. Can be used to manually lock slide to rear for maintenance.
5	Rear Sight	The means of aiming the pistol.
6	Extractor	Pulls spent casings or cartridges out of the chamber of the barrel.
7	Barrel	Houses cartridge for firing and directs projectile.
8	Grip Module	Supports frame assembly and magazine
9	Trigger	When pressed actuates the internal components to fire the pistol.
10	Magazine	Holds and positions cartridges in place for feeding.
11	Magazine Catch	Locks magazine into grip module. Releases magazine when pressed. Reversible



2.3 MAIN COMPONENTS AND OPERATOR CONTROLS (P365 SAS/P365 SAS-C)



1	Slide	Houses extractor,striker assembly, and sights..
2	Takedown Lever (Flat)	Allows the slide to be removed from the frame.
3	Slide Catch Lever (Flat)	Locks slide to rear upon firing of last cartridge. Can be used to manually lock slide to rear for maintenance.
4	Sight	The means of aiming the pistol.
5	Grip Module	Supports frame assembly and magazine
6	Extractor	Pulls spent casings or cartridges out of chamber.
7	Barrel	Houses cartridge for firing and directs projectile.
8	Trigger	When pressed actuates the internal components to release the hammer.
9	Magazine	Holds and positions cartridges in place for feeding.
10	Magazine Catch	Locks magazine into grip module. Releases magazine when pressed. Reversible



3.0 HANDLING

3.1 PREPARATION INSTRUCTIONS



WARNING



BEFORE LOADING, ALWAYS CLEAN ALL GREASE AND OIL FROM THE BORE AND CHAMBER, AND VERIFY THAT NO OBSTRUCTION IS IN THE BARREL. ANY FOREIGN MATTER IN THE BARREL COULD RESULT IN A BULGED OR BURST BARREL OR OTHER DAMAGE TO THE FIREARM, AND COULD CAUSE SERIOUS INJURY TO THE SHOOTER OR TO OTHERS.

Prior to firing the pistol for the first time, we strongly suggest that you perform an initial cleaning and lubrication of the pistol after you unpack it. Any fouling present will have been from final range firing at the factory prior to shipping. Refer to section, (“7.0 Maintenance” on page 54) for instructions on cleaning and lubricating the pistol. If you have the pistol and ammunition, and have read and understood all of the instructions in this manual, you are now ready to use the pistol.

3.2 MANUAL SAFETY—EQUIPPED PISTOLS

The SIG P365, P365 XSERIES AND P365 XL are offered with an optional ambidextrous manual safety. The manual safety mechanically blocks the sear assembly, preventing release of the striker.

To engage the manual safety, rotate the manual safety lever upward. The manual safety is ambidextrous. Pressing up on the lever from either side will rotate the opposite lever upward engaging the manual safety. The slide can be manipulated with the manual safety engaged.



ENGAGE MANUAL SAFETY



DISENGAGE MANUAL SAFETY



3.3 LOADING THE MAGAZINE

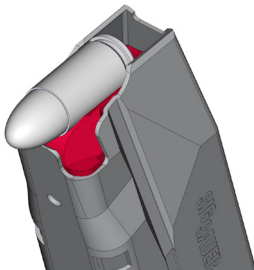
CAUTION

DO NOT ATTEMPT TO INSERT MORE CARTRIDGES THAN THE MAGAZINE'S DESIGNED CAPACITY.

NOTE

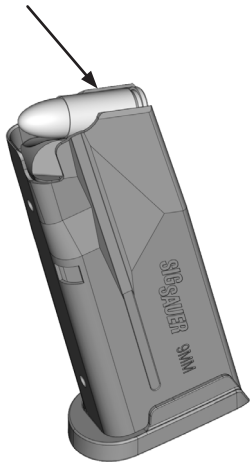
Ensure that the magazine is the proper type and caliber for the pistol.

1. Press down on magazine follower with cartridge case rim. Ensure that bullet is facing front of magazine.

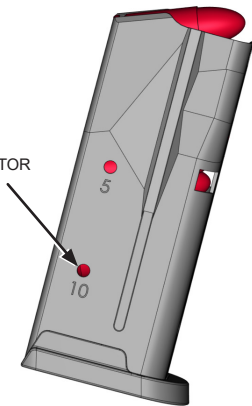


2. Push cartridge to the rear and under magazine lips.
3. Repeat until magazine holds desired number of cartridges or is full. Do not attempt to insert more cartridges than magazine's designed capacity.

MAGAZINE LIPS



CAPACITY INDICATOR WINDOW

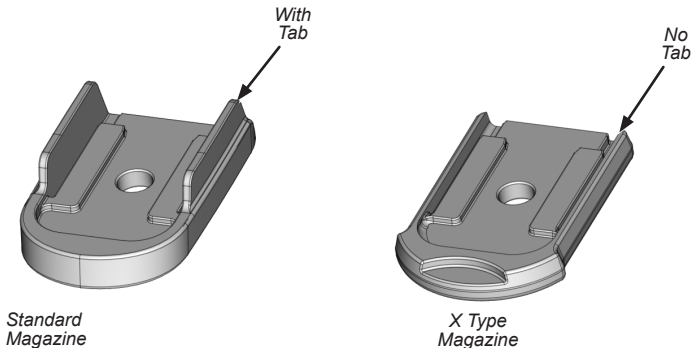




3.4 LOADING THE PISTOL

NOTE

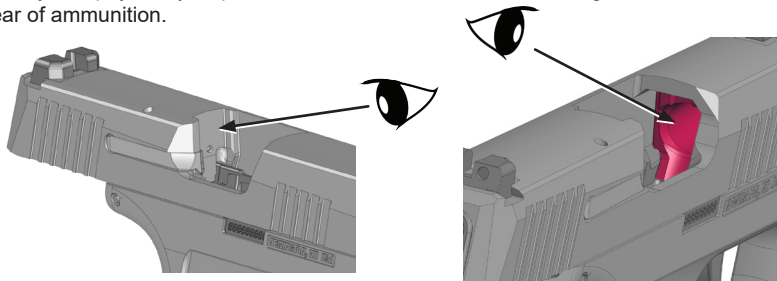
Magazines for XSERIES models must have floor plates without tabs. Magazines for standard P365 and SAS models have tabs on top of the floorplate. XSERIES floor plates will function in all P365 models. Standard floor plates will not lock in XSERIES grip assemblies.



1. Point pistol in a safe direction. Engage manual safety if so equipped.
2. Fully retract slide and lock it to the rear by pushing up on the slide catch lever.



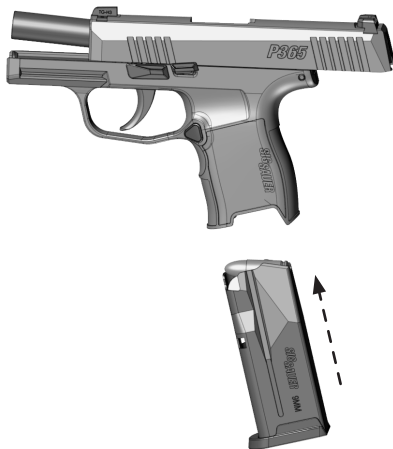
3. Visually and physically inspect the chamber, breech face, and magazine well to ensure that it is clear of ammunition.





3.4 LOADING THE PISTOL – CONTINUED

4. Insert a loaded magazine, pushing it up into the grip module until it locks in place. You should hear an audible click.



5. Release the slide by either:
- Pressing down on slide catch lever, releasing slide forward and chambering a cartridge.
 - Pulling back slightly on slide and then releasing it to chamber a cartridge.

CAUTION

DO NOT RIDE THE SLIDE FORWARD. FAILURE TO PROPERLY COMPLETE STEP 5B MAY INDUCE A STOPPAGE.



WARNING

LOADED PISTOL



THE PISTOL IS NOW LOADED AND READY TO FIRE.



3.5 RELOADING DURING SHOOTING

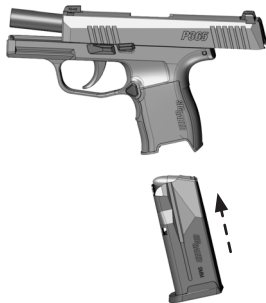
NOTE

When the last round in the magazine is expended, the slide will be locked to the rear by slide catch lever.

1. Press magazine catch to release empty magazine.



2. Insert a loaded magazine, pushing it up into the magazine well until it locks in place. You should hear an audible click.



3. Release slide by either:
 - a. Pressing down slide catch lever.
 - b. Pulling back and releasing slide.





4.0 FIRING



WARNING LOADED PISTOL



KEEP FINGER OUT OF TRIGGER GUARD AND OFF TRIGGER UNTIL YOU ARE ACTUALLY READY TO FIRE THE PISTOL.

Keep the muzzle pointed in a safe direction and your finger off of the trigger and out of the trigger guard when cycling the slide of any pistol.

Never discharge any firearm with your finger, hand, face, or other part of your body over or adjacent to the ejection port, or in any position where you may be struck by the reciprocating movement of the slide. Both the ejection of empty cartridge cases and the movement of the slide are part of the normal operating cycle of firearms and pose no safety hazard to the shooter if the firearm is held in a normal grip and fired at arm's length.

Never allow other persons to stand beside you where they might be struck by an ejected cartridge case. The case is hot and may be ejected with sufficient force to cause a burn, cut, or other injury. Wear safety glasses to protect your eyes. Make certain that there is a clear, unobstructed path for safe ejection of the fired case. Remember, the case might bounce off a hard object nearby and strike you or someone else.

4.1 STOPPAGES AND MALFUNCTIONS



WARNING STOPPAGE



STOP SHOOTING IMMEDIATELY! UNLOAD AND CLEAR THE FIREARM.

A stoppage is defined as an interruption in the pistols cycle of function that can be cleared by the operator applying immediate action. Immediate action are the steps taken by the operator to place the pistol back in service without investigating the cause of the stoppage. When practical, always stop shooting and investigate the cause of a stoppage in the manner outlined below.

If while shooting, your firearm develops a stoppage, or a discharged round sounds or feels unusual, stop shooting immediately. It may be dangerous to continue. Do not try one more shot. Keep the firearm pointed in a safe direction and unload and clear the firearm immediately by removing the magazine, locking the slide to the rear and clearing any expended or live ammunition from the firearm, visually and physically checking the chamber, breech face, and magazine well.

With the firearm unloaded and cleared, perform an additional visual inspection of the firearm and the ammunition. If you suspect a bore obstruction, refer to section, (“1.2 Ammunition” on page 9). If damage to the firearm is found upon inspection, the stoppage persists or a malfunction (defined as a failure of a part rendering the firearm inoperable and requiring the service of an authorized SIG SAUER Armorer) is suspected, take the firearm and ammunition to a certified SIG SAUER Armorer for service.



4.1 STOPPAGES AND MALFUNCTIONS – CONTINUED



WARNING COOK-OFF



IF YOUR PISTOL STOPS FIRING WITH A LIVE ROUND IN THE CHAMBER OF A HOT BARREL (A MISFIRE OR STOPPAGE), REMOVE THE ROUND IMMEDIATELY. IF YOU CANNOT REMOVE THE ROUND WITHIN 10 SECONDS, REMOVE THE MAGAZINE AND WAIT AT LEAST 15 MINUTES WITH THE PISTOL POINTING IN A SAFE DIRECTION. THIS WAY, NEITHER THE USER NOR ANY OTHER PERSON WOULD BE INJURED BY THE POSSIBILITY OF A ROUND “COOKING-OFF” (A ROUND DETONATING DUE TO THE HEAT OF THE BARREL). KEEP YOUR FACE AWAY FROM THE EJECTION PORT WHILE CLEARING A HOT CHAMBER.

4.2 MINIMIZING STOPPAGES

- You can help minimize most stoppages by cleaning and lubricating the pistol (see section, “7.0 Maintenance” on page 54).
- Cleaning and lubricating your pistol after each range session will reduce the chances of a stoppage due to dirt and residue buildup.
- Perform maintenance if the firearm is exposed to extreme environmental conditions (rain, snow, freezing temperatures, etc.).
- Periodically inspect the pistol if it is to be stored for extended periods of time without use.
- Most stoppages are directly related to the magazine. Perform maintenance of your magazines as well as the firearm (see section, “7.2 Magazine Disassembly” on page 58).
- A good practice is to mark the magazines so you can identify a magazine that is related to a stoppage.



4.3 FIRING THE PISTOL



WARNING EJECTION



THE SLIDE OPENS AND SHUTS QUICKLY WHILE FIRING. KEEP FACE AND HANDS AWAY FROM IT. HOT BRASS, UNBURNT POWDER, AND GAS IS EJECTED QUICKLY AND CAN BURN YOU. ALWAYS WEAR SAFETY GLASSES AND HEARING PROTECTION.



1. Aim pistol at a safe target and disengage manual safety if so equipped.
2. Press trigger rearward to discharge.
3. Keep pistol aimed at target and continue to fire as desired or until magazine is empty.
4. Engage manual safety if so equipped.
5. To unload and clear proceed to section, ("5.0 Unloading the Pistol" on page 45).

5.0 UNLOADING THE PISTOL

When there is a cartridge in the chamber, the cartridge will discharge if trigger is pressed. It is absolutely essential for you to know how to completely unload the pistol. "Completely" means removing the magazine and ejecting the chambered cartridge.



WARNING UNLOAD/CLEAR



REMOVING THE MAGAZINE FROM THE PISTOL DOES NOT PREVENT IT FROM BEING FIRED. PISTOL WILL FIRE A CHAMBERED CARTRIDGE EVEN WITH MAGAZINE REMOVED.

1. Always make sure that the muzzle is pointed in a safe direction. Remember to clear the chamber after you have removed the magazine.
2. Never assume that any firearm is unloaded until you have personally checked it, visually and physically.
3. After every range session, make a final check to be certain that the firearm is unloaded before leaving the range.



5.1 UNLOADING THE PISTOL (MAGAZINE NOT EMPTY)

1. Keep muzzle pointed in a safe direction and engage manual safety if so equipped.
2. Press magazine catch and remove magazine.



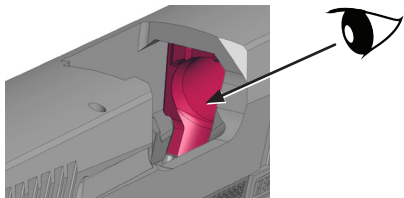
3. Pull slide completely to rear while watching for ejection of a live cartridge. Push up on slide catch lever, locking slide open.





5.1 UNLOADING THE PISTOL (MAGAZINE NOT EMPTY) – CONTINUED

4. Visually and physically check the chamber, breech face, and magazine well to ensure that pistol is completely free of ammunition.



5. Press slide catch lever, causing slide to close.
6. Unload magazine.



5.2 UNLOADING THE PISTOL (MAGAZINE EMPTY, SLIDE OPEN)

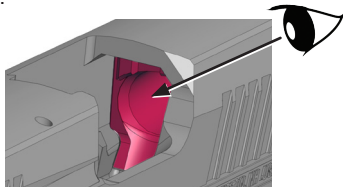
1. Keep muzzle pointed in a safe direction and engage manual safety if so equipped.
2. Press magazine catch and remove magazine.



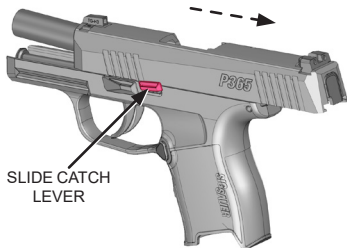


5.2 UNLOADING THE PISTOL (MAGAZINE EMPTY, SLIDE OPEN) – CONTINUED

3. Visually and physically check chamber, breech face, and magazine well to ensure that pistol is completely free of ammunition.



4. Press slide catch lever, causing slide to close.



THIS PAGE INTENTIONALLY LEFT BLANK



6.0 TROUBLESHOOTING GUIDE

Stoppage	Cause	Correction
<i>Failure to Feed</i>		
No cartridge fed into chamber. Cartridge partially still in magazine	Magazine not properly inserted or is deformed or dirty	Correctly insert magazine or replace magazine
	Damaged/broken magazine spring	Replace magazine
	Relaxed grip/shooter induced	Increase grip on pistol
<i>Failure to Chamber</i>		
Cartridge is free from magazine but not fully seated into chamber.	Dirty chamber	Clean chamber
	Damaged ammunition	Replace ammunition
	Weak or broken recoil spring guide assembly	Return to SIG SAUER for repair
	Relaxed grip/shooter induced	Increase grip on pistol
<i>Failure to Fire</i>		
Trigger is pressed but no detonation	Faulty ammunition	Replace ammunition
	Slide not fully locked forward	Pull slide to rear and release
	Damaged/broken striker assembly	Return to SIG SAUER for repair

Stoppage	Cause	Correction
<i>Failure to Extract</i>		
Expended case remains in chamber	Dirty chamber	Clean chamber/bore
	Broken extractor or extractor spring	Return to SIG SAUER for repair
<i>Failure to Eject</i>		
Expended case remains in ejection port	Damaged/broken ejector/slide catch lever	Return to SIG SAUER for repair



7.0 MAINTENANCE



WARNING UNLOAD/CLEAR



VERIFY THAT THE MAGAZINE IS REMOVED, VISUALLY AND PHYSICALLY CONFIRM THAT THE PISTOL IS UNLOADED AND CLEARED BEFORE ATTEMPTING DISASSEMBLY OR PERFORMING ANY MAINTENANCE STEPS. FAILURE TO ENSURE THAT THE FIREARM IS UNLOADED AND CLEARED COULD RESULT IN UNINTENTIONAL DISCHARGE, CAUSING SEVERE INJURY, DEATH, OR PROPERTY DAMAGE.

7.1 PISTOL DISASSEMBLY

1. Unload/clear pistol (see section, 5.0 “Unloading the Pistol”).
2. Lock slide to rear by pulling slide rearward and pushing up on slide catch lever.



3. Rotate takedown lever clockwise until it stops (P365 SAS requires screwdriver or similar tool).





7.1 PISTOL DISASSEMBLY – CONTINUED

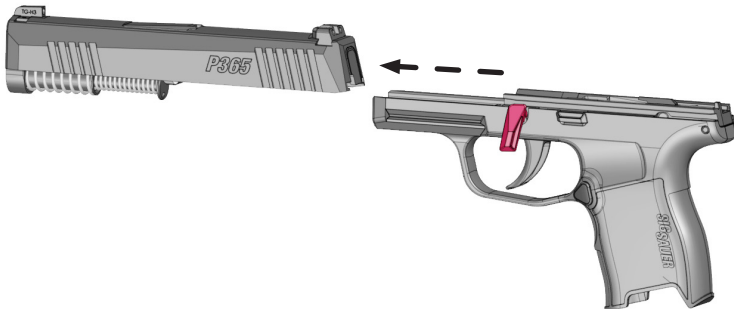


WARNING PARTS UNDER SPRING TENSION

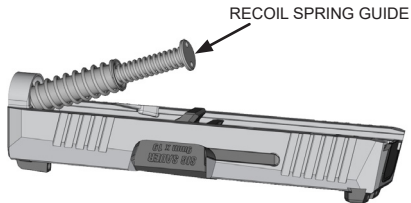


SLIDE IS UNDER SPRING TENSION. MAINTAIN POSITIVE CONTROL DURING SLIDE REMOVAL TO PREVENT DAMAGE OR INJURY. WEAR EYE PROTECTION

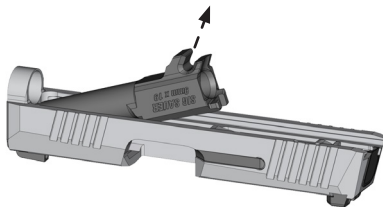
4. Pull slide slightly rearward to disengage slide catch lever, and then pull slide forward and off frame.



5. With slide positioned upside down push recoil spring guide slightly forward to release it from barrel lug.



6. Grasp barrel lug and lift barrel from slide.



NOTE

This level of disassembly is sufficient to allow a thorough cleaning after firing. No further disassembly of the P365 pistol is authorized.



7.2 MAGAZINE DISASSEMBLY

10-Round, 12-Round XSERIES, and 15-Round Magazines

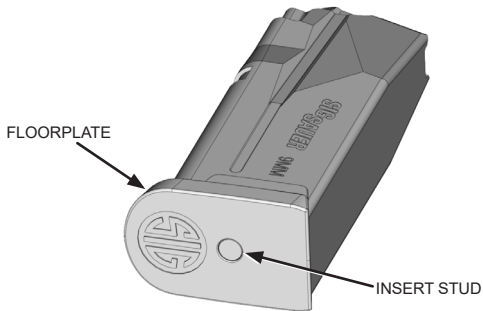


WARNING PARTS UNDER SPRING TENSION

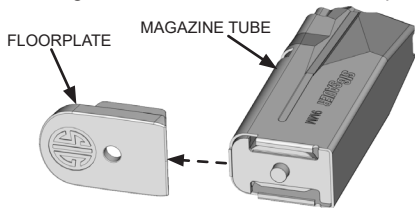


THE MAGAZINE SPRING IS COMPRESSED. UNCONTROLLED RELEASE CAN CAUSE INJURY. WEAR EYE PROTECTION.

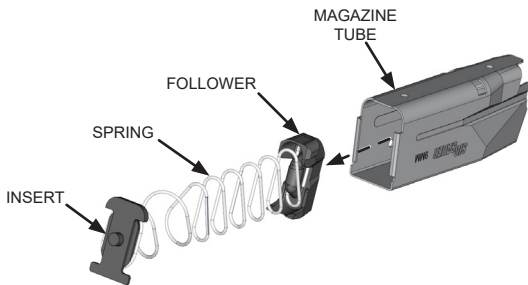
1. Using a punch or similar tool, press in on the insert stud until it is free from the floorplate.



2. Slide floorplate from magazine tube. Maintain control of spring loaded insert.



3. Remove insert, magazine spring, and follower from magazine tube.

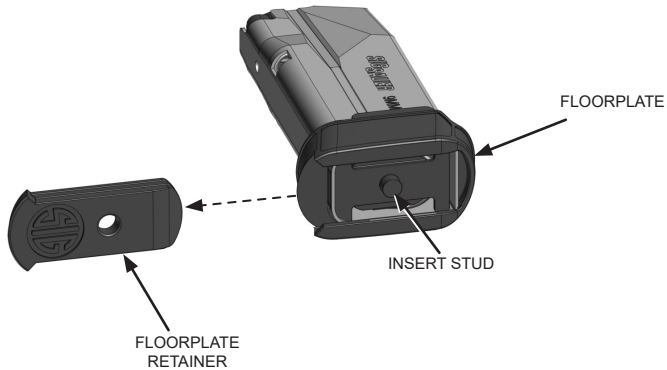




7.2 MAGAZINE DISASSEMBLY – CONTINUED

12-Round Extended Magazine

1. Using a punch or similar tool, press in on insert stud until it is free from floorplate retainer.
2. Slide floorplate retainer from floorplate.



3. Remove floor plate, insert, magazine spring, and follower from magazine tube..





7.3 CLEANING AND LUBRICATION



WARNING CLEANING



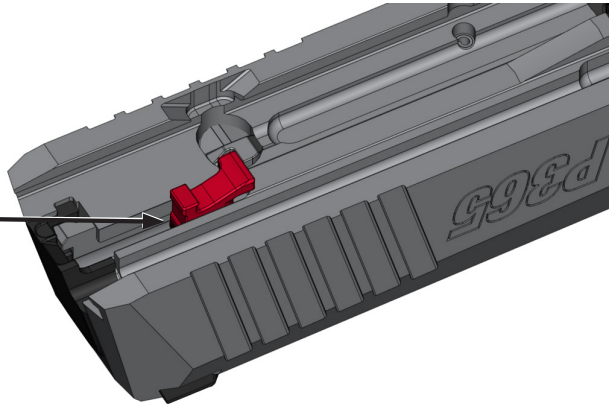
READ AND FOLLOW THE MANUFACTURER'S WARNINGS BEFORE USING SOLVENTS OR CLEANERS. WEAR EYE PROTECTION.

CAUTION

NEVER CLEAN THE BARREL FROM THE MUZZLE END; DO NOT USE A STEEL WIRE BRUSH, AS IT CAN DAMAGE THE SMOOTH SURFACE OF THE BARREL. USE A SUITABLE CLEANING ROD AND BRONZE BRUSH OF THE CORRECT CALIBER. SOLVENTS CAN BE HARMFUL TO THE SURFACE FINISH OF THE PISTOL. AVOID OVER-LUBRICATION OF COMPONENTS.

NOTE

Do not lubricate the striker or allow lubricant to flow into the striker channel of the slide. This may cause a light strike to the cartridge, resulting in a failure to fire.





7.3 CLEANING AND LUBRICATION – CONTINUED

Materials Required

- Cleaning patches
- Wipe rag
- Bore brush of the proper caliber
- Cleaning rod
- CLP (Cleaning, Lubricant, Protective)
- Lubricant, Low Temperature when applicable
- Brush, Cleaning

The following instructions are for normal environmental conditions. Clean and lubricate before or after every day the pistol is fired or at a minimum of every 500 rounds.

Slide Assembly

1. Remove all of the old lubricant before you reapply.
2. Clean the slide assembly with a cloth. You can use a soft brush and CLP to clean excessive dirt and carbon buildup. Ensure that the extractor, rail slots, and breech face are free of dirt and residue.
3. Apply a light coat of CLP to the frame rail slots of the slide.
4. Lightly lubricate all external parts.
5. Do not lubricate the striker assembly or allow lubricant to flow into the striker channel.

Barrel

1. Soak a patch with CLP and push it through the bore from the chamber end and out past the muzzle.
2. Allow the CLP to soak for several minutes to loosen residue and soften carbon deposits.
3. Wipe the exterior of the barrel with a cloth soaked in CLP.
4. Repeat step 1.
5. Use the bore brush and a cleaning rod to scrub heavy deposits from the bore.
6. Repeat step 1.
7. Push dry patches through the bore until they come out clean.
8. Clean residue from feed ramp with a soft brush and CLP.
9. If the pistol is to be stored for a period of time, lightly lubricate the bore and chamber.
10. Always remove any lubricant from the bore and chamber prior to firing the pistol.

Recoil Spring Guide Assembly

Do not disassemble the P365 recoil spring guide assembly. It is serviced as a single unit. You should replace it at 2,500-round intervals.

1. Clean the recoil spring guide assembly with CLP and a soft brush.
2. After cleaning, apply a light coat of CLP.



7.3 CLEANING AND LUBRICATION – CONTINUED

Frame/Grip Module Assembly

1. Using a soft cloth, wipe the frame and grip module assembly.
2. Use cotton swabs to clean difficult-to-reach areas. Pay special attention to the frame rails.
3. Lubricate the frame rails with a light coat of CLP.
4. Apply CLP to accessible functioning parts.
5. Using a soft cloth, clean the magazine well of any dirt, dust, or residue.

Magazine

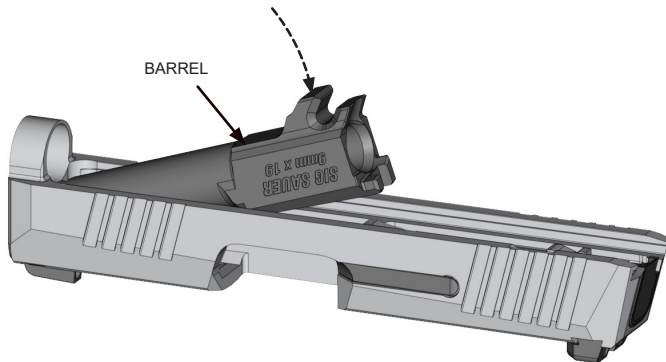
1. Wipe the magazine tube and follower with a cloth. Clean the magazine tube and follower with a soft brush and CLP.
2. Use a cloth to clean the magazine spring, floorplate, and base plate.
3. Apply a light coat of CLP to the spring and outside of magazine tube.

THIS PAGE INTENTIONALLY LEFT BLANK



7.4 PISTOL ASSEMBLY

1. Turn slide upside down, and insert barrel into slide.

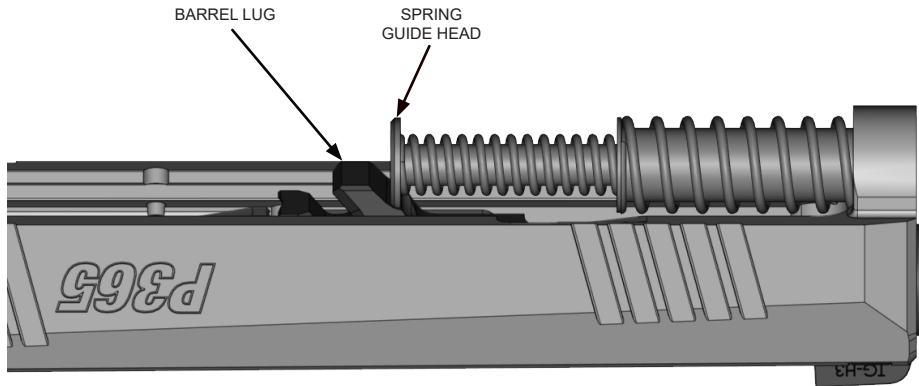


WARNING PARTS UNDER SPRING TENSION



THE RECOIL SPRING AND GUIDE ARE UNDER SPRING TENSION. USE CAUTION TO PREVENT INJURY. WEAR EYE PROTECTION.

2. Insert larger outer spring of recoil spring guide assembly into slide. Seat spring guide head centered on barrel lug.



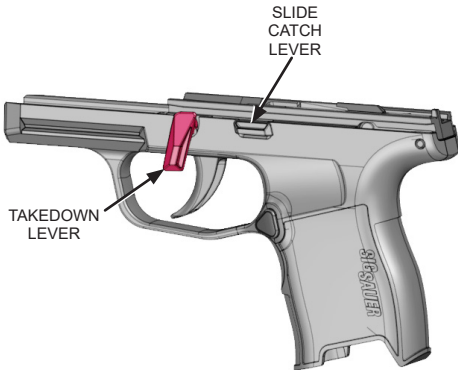


7.4 PISTOL ASSEMBLY – CONTINUED

NOTE

Before attempting step 3, you might need to initially raise slide catch lever to allow rotation of the takedown lever.

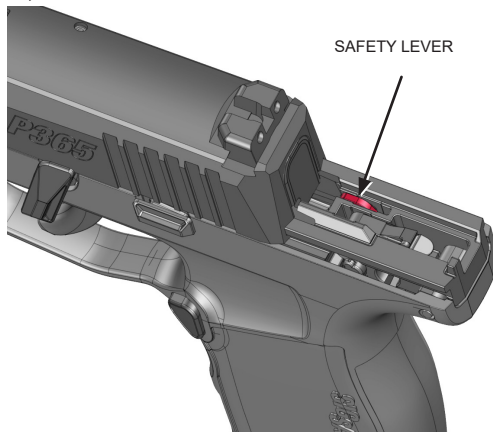
3. Rotate takedown lever clockwise until it stops and hold takedown lever in place.



NOTE

Before you attempt step 4, ensure that the safety lever is pushed down so as not to interfere with slide installation.

4. Continue to hold takedown lever and push slide onto frame rails until it stops at the fully retracted position, then release takedown lever.



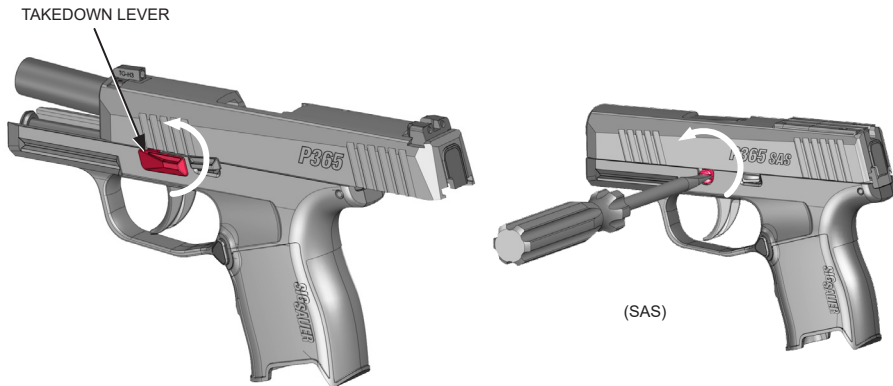


7.4 PISTOL ASSEMBLY – CONTINUED

5. Lock slide in place by pulling slide rearward and pushing up on slide catch lever.



6. Rotate takedown lever counterclockwise until it stops (P365 SAS requires screwdriver or similar tool).



7. Press down on slide catch lever to release slide fully forward.
8. Conduct a safety/function check (see section, “7.6 Function Verification” on page 77).



7.5 MAGAZINE ASSEMBLY



WARNING PARTS UNDER SPRING TENSION



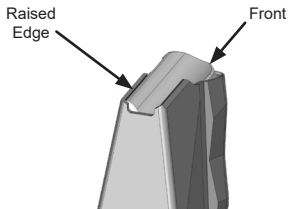
THE MAGAZINE SPRING IS COMPRESSED DURING ASSEMBLY. GUARD THE MAGAZINE INSERT AND MAGAZINE SPRING WITH YOUR THUMB TO CONTROL MAGAZINE SPRING TENSION. UNCONTROLLED RELEASE CAN CAUSE INJURY. WEAR EYE PROTECTION.

10-Round, 12-Round XSERIES, and 15-Round Magazines

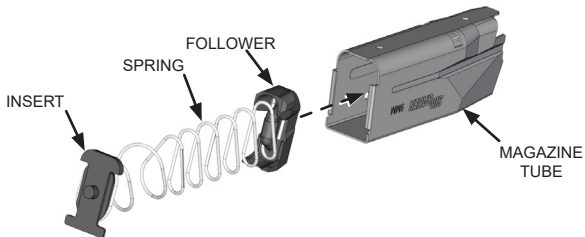
1. Assemble follower to the magazine spring.

NOTE

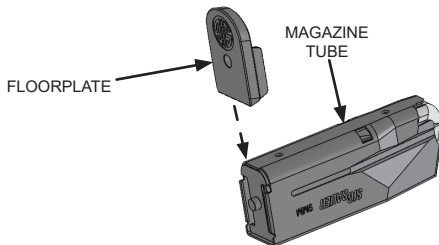
Ensure follower is correctly installed with raised edge along left side of the magazine to avoid feed stoppages



2. Assemble insert to magazine spring.
3. Insert follower into magazine tube and compress spring.



4. Press insert and slide floorplate onto magazine tube until stud on insert snaps into floorplate.

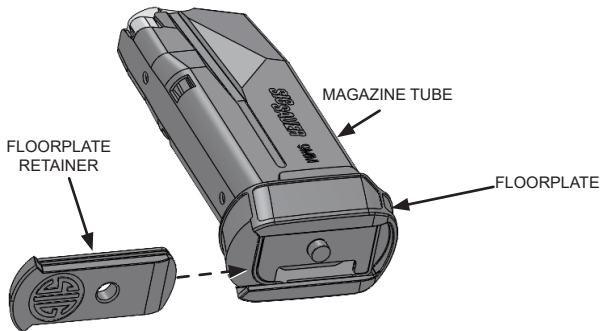




7.5 MAGAZINE ASSEMBLY – CONTINUED

Optional 12-Round Magazine

1. Assemble follower to magazine spring.
2. Assemble insert to magazine spring.
3. Insert follower into magazine tube and compress spring.
4. Push floorplate onto magazine tube.
5. Slide floorplate retainer into floorplate until stud of insert snaps into place, securing floorplate to magazine tube.



7.6 FUNCTION VERIFICATION

The function check is performed on the assembled pistol to verify functionality. It should be performed after the completion of repairs and after each cleaning and assembly of the pistol.



WARNING UNLOAD/CLEAR



VERIFY THAT THE MAGAZINE IS REMOVED. VISUALLY AND PHYSICALLY CONFIRM THAT THE PISTOL IS UNLOADED AND CLEARED BEFORE ATTEMPTING DISASSEMBLY OR PERFORMING ANY MAINTENANCE STEPS. FAILURE TO ENSURE THAT THE FIREARM IS UNLOADED AND CLEARED COULD RESULT IN UNINTENTIONAL DISCHARGE, CAUSING SEVERE INJURY OR DEATH, OR PROPERTY DAMAGE.

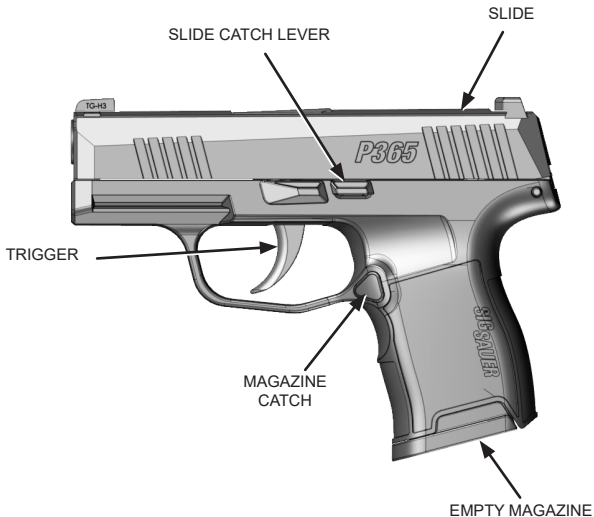
SHOULD THE P365 FAIL ANY OF THE PROCEDURES ASSOCIATED WITH THE FUNCTION VERIFICATION, CONTACT SIG SAUER CUSTOMER SERVICE AT (603) 610-3000 EXT. 1

1. Ensure that magazine is removed and pistol is unloaded and cleared (see section, “5.0 Unloading the Pistol” on page 45).
2. Insert an empty magazine into magazine well. You should hear an audible click and magazine catch should hold magazine in place.
3. Grasp slide and pull it completely to the rear. Follower of the magazine should push up slide catch lever, locking slide to the rear.
4. Press magazine catch. Magazine must fall free of pistol under its own weight.



7.6 FUNCTION VERIFICATION – CONTINUED

5. Press slide catch lever to release slide to its forward position.



IF YOUR PISTOL IS NOT EQUIPPED WITH A MANUAL SAFETY, SKIP TO STEP 9

6. If pistol is equipped with a manual safety, push up on manual safety lever to engage safety.
7. With pistol pointed in a safe direction, press trigger. The striker should NOT be released.
8. Release trigger.
9. Press down on manual safety lever to disengage safety.





7.6 FUNCTION VERIFICATION – CONTINUED

10. Press trigger to rear and HOLD. Striker should release and you should hear and feel a loud audible click.
11. With trigger still pressed to rear, pull slide completely to rear and release.
12. Release trigger. You should hear and feel a light audible click as striker resets.
13. Press trigger. Striker should release and you should hear and feel a loud audible click.

CAUTION

NEVER USE A FIREARM OR MAGAZINE THAT SHOWS SIGNS OF DAMAGE OR FAILS A FUNCTION CHECK. VERIFY THE MAGAZINE IS THE CORRECT MODEL AND CALIBER FOR THE PISTOL. IF THE CONDITION OR FUNCTION OF THE PISTOL OR MAGAZINE IS SUSPECT, RETURN THE PISTOL OR MAGAZINE TO SIG SAUER FOR EVALUATION. VERIFY THE CONDITION AND FUNCTION.

8.0 PISTOL ADJUSTMENTS

GENERAL INFORMATION

The P365 pistol is designed for both right-hand and left-hand operation and a variety of hand sizes. The slide catch lever can be operated from either side. The magazine catch may be repositioned to either side based on shooter preference. The grip module may be replaced by the shooter, providing a range of ergonomically correct grip configurations.



WARNING UNLOAD/CLEAR



VERIFY THE MAGAZINE IS REMOVED, VISUALLY AND PHYSICALLY CONFIRM THE PISTOL IS UNLOADED AND CLEARED BEFORE ATTEMPTING DISASSEMBLY OR PERFORMING ANY MAINTENANCE STEPS. FAILURE TO ENSURE THE FIREARM IS UNLOADED AND CLEARED COULD RESULT IN UNINTENTIONAL DISCHARGE, CAUSING SEVERE INJURY OR DEATH, OR PROPERTY DAMAGE.



8.1 TORQUE SPECIFICATIONS

NOTE

Torque values will be listed as in-lbf for inch pounds of force and ft-lbf for foot pounds of force. If there is no Nylok® patch present on the fastener, use specified Loctite®.

NOMENCLATURE	PAGE	QTY	in-lbf	nm	THREAD LOCKER REQUIRED OR EQUIVALENT
Sight Plate Screws	84	2	8	1.02	LOCTITE 243
Optic Filler Plate Screws	86	2	8	1.02	LOCTITE 243
RomeoZero Mounting Screws	89	2	9	1.02	LOCTITE 243

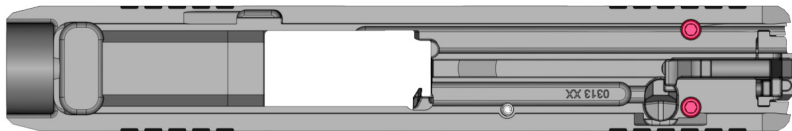
NOTE

Fasteners with Nylok patch are reusable. Do not remove Nylok patch if present. Fasteners with Loctite must have old Loctite removed and threads cleaned prior to applying new Loctite.

8.2 SIGHT PLATE REMOVAL AND INSTALLATION

8.2.1 SIGHT PLATE REMOVAL

1. Disassemble pistol (see section, “7.1 Pistol Disassembly” on page 55).
2. Use 5/64 in. hex drive bit to remove sight plate screws from the bottom of slide.



3. Remove sight plate and rear sight.



*Includes patented optic cut technology designed by ZEV Technologies. Patent number: RE47335

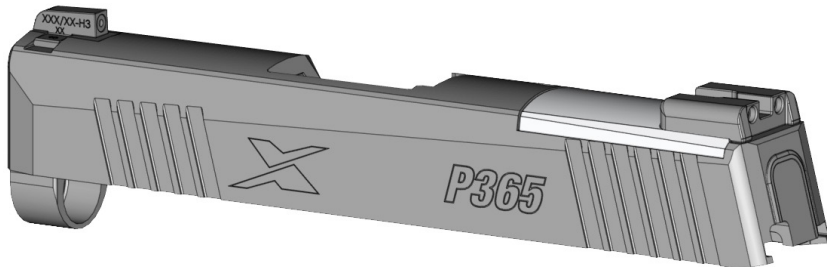


8.2.2 SIGHT PLATE INSTALLATION

NOTE

Sight plate screws are for securing the rear sight and sight plate only.

1. Align screw holes of rear sight with holes in slide and use a 5/64 in. hex drive bit to torque sight plate screws to 8 in-lbf.



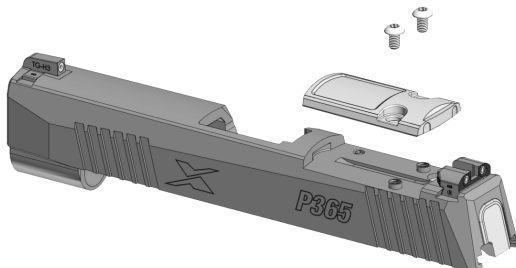
8.3 OPTIC FILLER PLATE REMOVAL AND INSTALLATION

8.3.1 OPTIC FILLER PLATE REMOVAL

1. Disassemble pistol (see section, “7.1 Pistol Disassembly” on page 55).
2. Use T10 drive bit to remove optic filler plate screws from top of slide.



3. Remove optic filler plate.



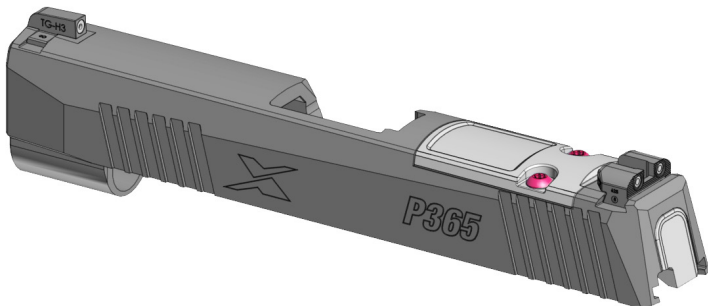


8.3.2 OPTIC FILLER PLATE INSTALLATION

NOTE

Optic filler plate screws are for securing the optic filler plate only.

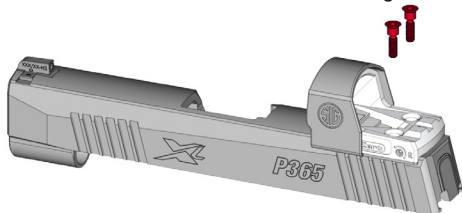
1. Place sight plate into its slot in slide.
2. Align screw holes of optic filler plate with holes in slide and use a T10 drive bit to torque sight plate screws to 8 in-lbf.



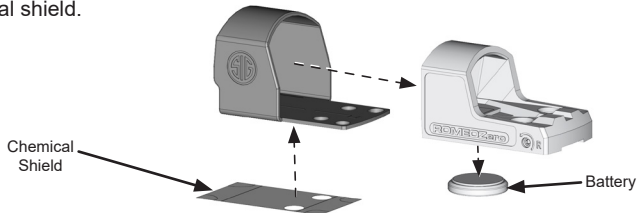
8.4 ROMEOZERO RED DOT OPTIC INSTALLATION AND REMOVAL

8.4.1 ROMEOZERO REMOVAL

1. Use 2 mm. hex drive bit to remove the RomeoZero mounting screws from top of the slide.



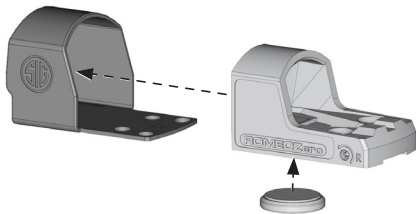
2. Remove the RomeoZero from slide and pull it out of shroud (if equipped), ensure to retain battery and Chemical shield.



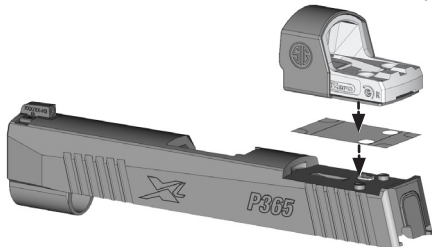


8.4.2 ROMEOZERO INSTALLATION

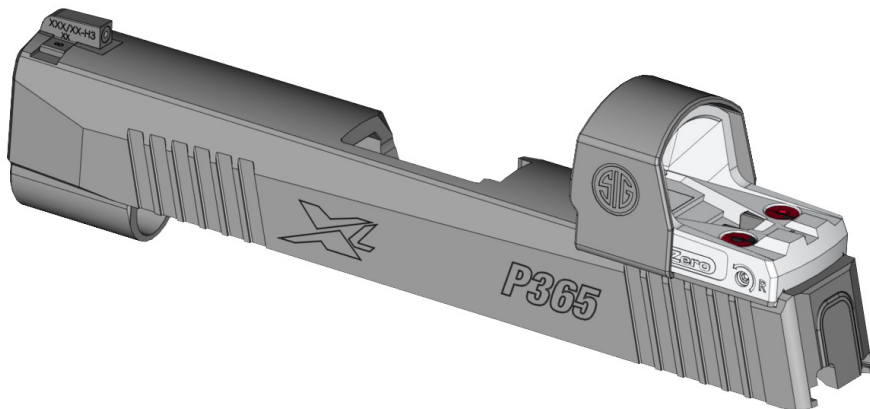
1. Insert battery into bottom of RomeoZero with positive (+) side facing slide. Hold in place then, insert both into shroud (if equipped).



2. Align holes of RomeoZero, shroud, chemical shield and slide, then place on slide.



3. Install RomeoZero screws with 2 mm hex wrench and torque to 9 in-lbf.
4. Refer to RomeoZero manual for sight adjustment and zero optic.





8.5 MAGAZINE CATCH REMOVAL AND INSTALLATION



WARNING UNLOAD/CLEAR



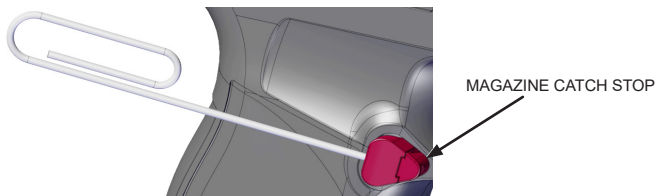
VERIFY THAT THE MAGAZINE IS REMOVED. VISUALLY AND PHYSICALLY CONFIRM THAT THE PISTOL IS UNLOADED AND CLEARED BEFORE ATTEMPTING DISASSEMBLY OR PERFORMING ANY MAINTENANCE STEPS. FAILURE TO ENSURE THAT THE FIREARM IS UNLOADED AND CLEARED COULD RESULT IN UNINTENTIONAL DISCHARGE, CAUSING SEVERE INJURY OR DEATH, OR PROPERTY DAMAGE.

NOTE

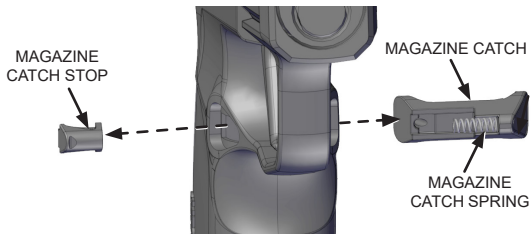
You can perform this procedure with or without the slide removed from the pistol.

1. Ensure that magazine is removed and pistol is unloaded and cleared (see section, “5.0 Unloading the Pistol” on page 45).
2. Press magazine catch until opposite side of magazine catch protrudes from grip module. You should see a small hole in back of the catch.

3. Press end of a small round pin such as a paper clip, into hole of magazine catch. This will release magazine catch stop.
4. Work magazine catch stop out of magazine catch with pin, using a back-and-forth motion.



5. Remove magazine catch stop, magazine catch, and magazine catch spring from grip module.



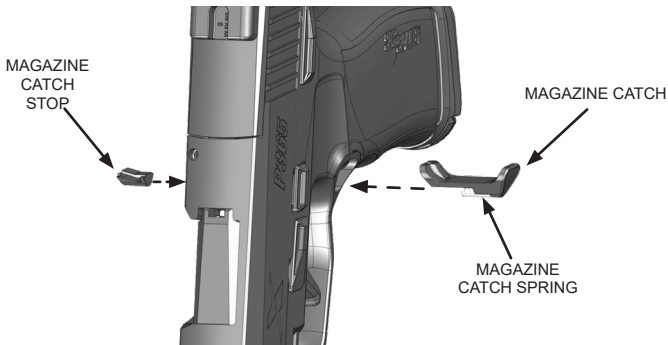


8.5 MAGAZINE CATCH REMOVAL AND INSTALLATION – CONTINUED

NOTE

Holding pistol with muzzle facing downward will aid in keeping magazine catch and spring in place for ease of installation.

6. Insert magazine catch and spring into the desired side of the grip module and completely depress magazine catch.
7. Insert magazine catch stop into magazine catch until it snaps into place. Release magazine catch.



8.6 FIRE CONTROL UNIT (FCU) REMOVAL AND INSTALLATION

8.6.1 FCU REMOVAL

NOTE

Removal of frame pin from the left side of the grip assembly prevents undue wear on frame retaining pin spring.

1. Push out frame pin out left of grip assembly with a 3/32 in. pin punch.





8.6.1 FCU REMOVAL – CONTINUED

2. Lift rear of frame and remove FCU from grip assembly.



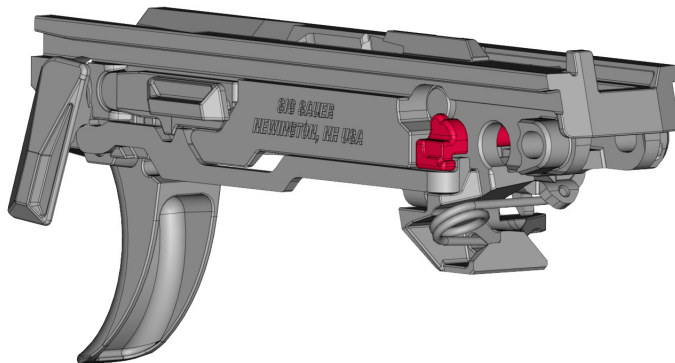
CAUTION

NO FURTHER DISASSEMBLY OF THE FIRE CONTROL UNIT (FCU) IS AUTHORIZED.

8.6.2 FCU INSTALLATION

CAUTION

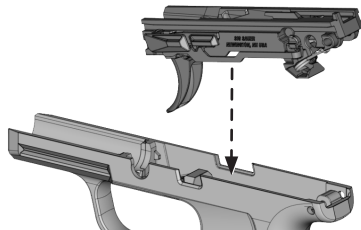
THE CUSTOM WORKS P365 (FCU) COMES SHIPPED WITH THE TAKEDOWN LEVER IN THE HORIZONTAL INSTALLED POSITION. USE CAUTION WHEN ROTATING THE TAKEDOWN LEVER FOR FCU INSTALLATION AS THE TAKEDOWN SAFETY LEVER PIN MAY WALK OUT CAUSING MISALIGNMENT OF COMPONENTS PROHIBITING PROPER INSTALLATION INTO YOUR GRIP MODULE.



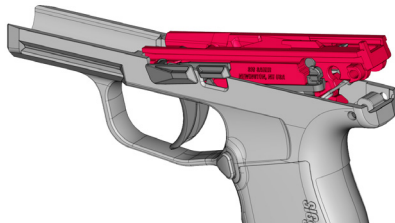


8.6.2 FCU INSTALLATION – CONTINUED

1. Angle FCU slightly forward and lower it into grip, lining up trigger into grip module.



2. Push front edge against stop just in front of trigger opening.



NOTE

Installing frame pin from left side of the grip assembly prevents undue wear on frame retaining pin spring.

3. Push down on rear of FCU to line it up with frame pin hole, then rotate the takedown lever to install position.
4. Install frame pin into left side of grip assembly.





9.0 SIGHTS



WARNING TRITIUM SIGHTS



SOME SIG SAUER PISTOLS COME EQUIPPED WITH SIGHTS THAT CONTAIN RADIOACTIVE MATERIAL FOR ILLUMINATION DURING LOW LIGHT CONDITIONS OR HOURS OF DARKNESS. THE SIGHTS ARE MARKED WITH THE LETTERS "SIG" AND "H3." THE RADIATION SOURCE IS HYDROGEN-3 (H3), COMMONLY KNOWN AS TRITIUM. THE ACTIVITY LEVEL OF TRITIUM IN SIG SAUER NIGHT SIGHTS RANGE FROM 12 MCI (MILLI-CURIES) TO 30 MCI. THE OPERATIONAL TEMPERATURE RANGE OF SIG SAUER TRITIUM SIGHTS IS $-30^{\circ}\text{C}/-22^{\circ}\text{F}$ TO $+60^{\circ}\text{C}/+140^{\circ}\text{F}$. THE BETA RADIATION EMITTED BY TRITIUM IS ONLY A HAZARD IF THE TRITIUM VIAL IS BROKEN AND IS INGESTED OR INHALED BY HUMANS. THE BODY DOES NOT EASILY RETAIN HYDROGEN OR TRITIUM AS A GAS. HOWEVER, THE OXIDE HTO, WHICH IS FORMED BY THE BURNING OF TRITIUM IS 10,000 TIMES MORE HAZARDOUS. FOR THIS REASON GREAT CARE SHOULD BE TAKEN TO AVOID FLAME IN THE PRESENCE OF DAMAGED TRITIUM SIGHTS. DISPOSAL OF TRITIUM SIGHTS MUST BE PERFORMED IN A CONTROLLED MANNER. IF YOU SUSPECT THAT THE SIGHT CONTAINING A TRITIUM VIAL HAS BROKEN, DO NOT ATTEMPT TO DISASSEMBLE THE SIGHT. FOLLOW THESE INSTRUCTIONS.

DAMAGED SIGHTS ONLY (SIGHTS REMOVED FROM FIREARM):

PLACE DAMAGED SIGHTS IN A SMALL ZIP LOCK BAG AND LABEL IT "DAMAGED TRITIUM SIGHT DO NOT OPEN," PLACE THE ZIP LOCK BAG IN A SHIPPING ENVELOPE MARKED "NIGHT SIGHT FOR DISPOSAL" AND SEND TO:

SIG SAUER, INC.
357 SIG SAUER DRIVE
JACKSONVILLE, AR 72076

SLIDE WITH DAMAGED SIGHTS:

CALL CUSTOMER SERVICE AT (603) 610-3000 EXT. 1 FOR INSTRUCTIONS AND RETURN AUTHORIZATION.

**WARNING TRITIUM SIGHTS**

DO NOT DISCARD TRITIUM SIGHTS IN THE TRASH
AFTER CONTACT WITH A SUSPECTED DAMAGED TRITIUM SIGHT, CAREFULLY WASH YOUR HANDS WITH SOAP AND WATER. DO NOT HANDLE DAMAGED SIGHTS IF YOU HAVE OPEN SKIN CUTS OR ABRASIONS. DO NOT EAT, DRINK, SMOKE OR APPLY COSMETICS IN THE PRESENCE OF A DEFECTIVE SIGHT VIAL.

GENERAL INFORMATION

SIG SAUER P365 pistols equipped with drift-adjustable X-RAY® sights have proven their worth under severe conditions. The sights consist of a rear sight and a front sight blade, designed and dimensioned to ensure rapid target acquisition, even when visibility is poor.

CAUTION

SIG SAUER SUGGESTS THAT FIXED-SIGHT CORRECTIONS SHOULD BE PERFORMED ONLY BY A CERTIFIED SIG SAUER ARMORER. OTHERWISE, THE PISTOL COULD BECOME DAMAGED.



9.1 WINDAGE (LEFT/RIGHT) ADJUSTMENTS



WARNING SIGHT ADJUSTMENT



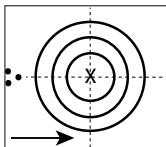
SIGHT CORRECTIONS SHOULD BE PERFORMED ONLY ON AN UNLOADED FIREARM. MANIPULATING THE SIGHTS ON A LOADED FIREARM COULD RESULT IN UNINTENTIONAL DISCHARGE, CAUSING SEVERE INJURY OR DEATH, OR PROPERTY DAMAGE. VISUALLY AND PHYSICALLY CONFIRM THAT THE PISTOL IS UNLOADED AND CLEARED BEFORE MAKING SIGHT ADJUSTMENTS. DO NOT ADJUST SIGHTS ON A LOADED FIREARM.

Change windage by moving the rear sight either to the left or right in its dovetail. When you do this, follow the rear sight rule: Move the rear sight in the direction you want the group to go. Moving the rear sight 0.016" in the dovetail changes the point of impact by approximately 3" at 25 yards.

XSERIES pistols feature drift adjustable front sights and non-adjustable rear sights.

NOTE

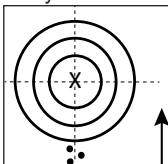
SIG SAUER has a Sight Adjustment Tool available that makes it easier to adjust and change fixed sights.



IMPACT LEFT OF POINT OF AIM

9.2 ELEVATION (UP/DOWN) ADJUSTMENTS

There are different height combinations available for the front and rear sights. The sights are numbered according to their height. You can change elevation by changing either the rear or front sight. There are multiple front and rear sight heights available. Each rear sight number change will move the impact of the bullet approximately 2" at 25 yards. Each front sight number change will move the impact of the bullet approximately 1" at 25 yards.



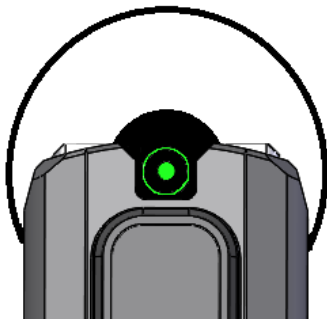
IMPACT BELOW POINT OF AIM

When changing sights, remember this rule: NUMBERS UP, GROUPS UP; NUMBERS DOWN, GROUPS DOWN. This is true for both front and rear sights.



9.3 BULLSEYE® SIGHT (SAS ONLY)

The P365 SAS features a Meprolight® Bullseye™ optical pistol sight. This sight is a fixed low profile sight that provides an illuminated circle and dot aperture in the shooters field of vision eliminating the need for a front sight. When aiming with the eye sight the shooter aligns the dot in the center of the circle at the desired point of impact.



EYE SIGHT PICTURE

10.0 STORAGE AND TRANSPORTATION

STORAGE



WARNING UNLOAD/CLEAR



YOU MUST UNLOAD AND CLEAR THE FIREARM PRIOR TO STORING THE PISTOL (SEE SECTION, “5.0 UNLOADING THE PISTOL” ON PAGE 45).

Never place or store any firearm in such a manner that it may be dislodged. Firearms should always be stored securely and unloaded, away from children and other unauthorized users. Use the locking device originally supplied with this firearm for storage. The use of a locking device or safety lock is only one aspect of responsible firearms storage. For increased safety, firearms should be stored unloaded and locked in a location that is both separate from their ammunition and inaccessible to children and any other unauthorized person.

Short-Term Storage (90 days or less)

1. Ensure that chamber and magazine do not contain live ammunition.
2. Clean bore and chamber.
3. Apply a light coat of CLP to chamber and bore.
4. Apply a light coat of CLP to all other metal surfaces for corrosion protection.



10.0 STORAGE AND TRANSPORTATION – CONTINUED

Long-Term Storage (90 days or longer)

1. Ensure that pistol is thoroughly cleaned.
2. Apply a heavy coat of CLP to chamber and bore.
3. Apply a heavy coat of CLP to all other metal surfaces for corrosion protection.
4. Wrap firearm with a waterproof material (MIL-B-121 or similar).
5. Place firearm in a corrosion resistant barrier bag (MIL-DTL-117 or similar).

Environmental Storage

Provide humidity control to limit the relative humidity to no greater than 40% relative humidity (RH) at 80°F (26.7°C). If personnel will be working in these areas, design to 68°F (20.0°C) dry bulb and 40% RH for indoor design heating conditions, and 75°F (23.9°C) dry bulb and 40% RH for indoor design cooling conditions.

TRANSPORTATION

**WARNING UNLOAD/CLEAR**

YOU MUST UNLOAD AND CLEAR THE FIREARM PRIOR TO TRANSPORTING THE PISTOL (SEE SECTION, “5.0 UNLOADING THE PISTOL” ON PAGE 45).

IT IS YOUR RESPONSIBILITY TO FAMILIARIZE YOURSELF WITH THE LAWS OF ANY STATE YOU ARE PLANNING TO TRAVEL THROUGH WITH YOUR FIREARM.

When transporting your firearm to and from shooting activities, keep it unloaded for your safety and for the safety of others. When storing your firearm for transportation, keep it separated from ammunition, under lock and key if possible, and out of the reach of children and other inexperienced or unauthorized persons.

If transporting the firearm in a vehicle, ensure that it is secured within the confines of the vehicle. Should the vehicle become involved in an accident, you do not want the firearm to become dislodged and move about the interior of the vehicle or be ejected from the vehicle.



11.0 SERVICE AND PARTS POLICY

PARTS POLICY



WARNING PARTS REPLACEMENT

IMPROPER FITTING OF PARTS MAY RESULT IN A DANGEROUS MALFUNCTION, DAMAGE TO THE FIREARM, AND SERIOUS INJURY TO THE SHOOTER AND OTHER PERSONS.

Our service department maintains a full complement of replacement parts. Even though most gunsmiths have the knowledge, training, and the ability to make necessary repairs to your firearm, the skill and workmanship of any particular gunsmith is totally beyond our control.

Should your firearm ever require service, we strongly recommend that you return it to SIG SAUER. A firearm is a precision instrument and some replacement parts will require individual fitting to ensure correct operation. A wrong part, improper fitting, or incorrect mechanical adjustment may result in an unsafe condition or dangerous malfunction, damage to the firearm, or cause possible serious injury to the shooter or others.

IF ANY PART IS ORDERED WITHOUT RETURNING THE FIREARM TO SIG SAUER, INC., the customer bears full responsibility for ensuring that the part supplied is correct for their particular firearm and is properly installed and fitted by a qualified gunsmith.

It is the purchaser's responsibility to be absolutely certain that any parts ordered from the factory are correctly fitted and installed. Firearms are complicated mechanisms, and the purchaser and installer of parts must accept full responsibility for the correct adjustment and functioning of the firearm after such installation.

SIG SAUER IS NOT RESPONSIBLE FOR THE FUNCTIONING OF ANY FIREARM IN WHICH REPLACEMENT PARTS ARE INSTALLED BY OTHERS.

SERVICE POLICY

If you have questions concerning the performance or servicing of your firearm, please write or call:

SIG SAUER, Inc.
Attention: Customer Service
18 Industrial Drive, Exeter, NH 03833
Phone: (603) 610-3000 ext. 1
Fax: (603) 766-7002

IF YOU DO NOT UNDERSTAND THE INSTRUCTIONS FOR OPERATING YOUR PISTOL, IT IS YOUR RESPONSIBILITY TO CALL OUR CUSTOMER SERVICE DEPARTMENT AT (603) 610-3000 EXT. 1 BEFORE USING YOUR FIREARM.



12.0 SHIPPING FIREARMS FOR REPAIR



WARNING DO NOT SHIP LOADED FIREARM



DO NOT SHIP A LOADED FIREARM. IF YOU NEED TO SHIP YOUR FIREARM TO SIG SAUER, DO NOT SHIP AMMUNITION, EITHER IN THE FIREARM OR SEPARATELY IN THE SHIPPING PACKAGE.

In the event that you need to return your firearm to the SIG SAUER service department, here's what you need to do:

1. Contact Customer Service at (603) 610-3000 ext. 1 for a return merchandise authorization (RMA) number, which will allow SIG SAUER to track the status of your return, from its receipt at SIG SAUER through its return to you. Please do not send your firearm until you obtain an RMA number.
2. Ensure that the chamber and magazine(s) are unloaded and that no ammunition is included with your returned firearm.
3. Package the firearm securely to prevent damage. Enclose a letter that includes your name, street address, daytime phone number, model and serial number, and a detailed description of the problem you have experienced or the work that you want performed. With the exception of extra magazines, do not include any other accessories such as scopes or mounts.

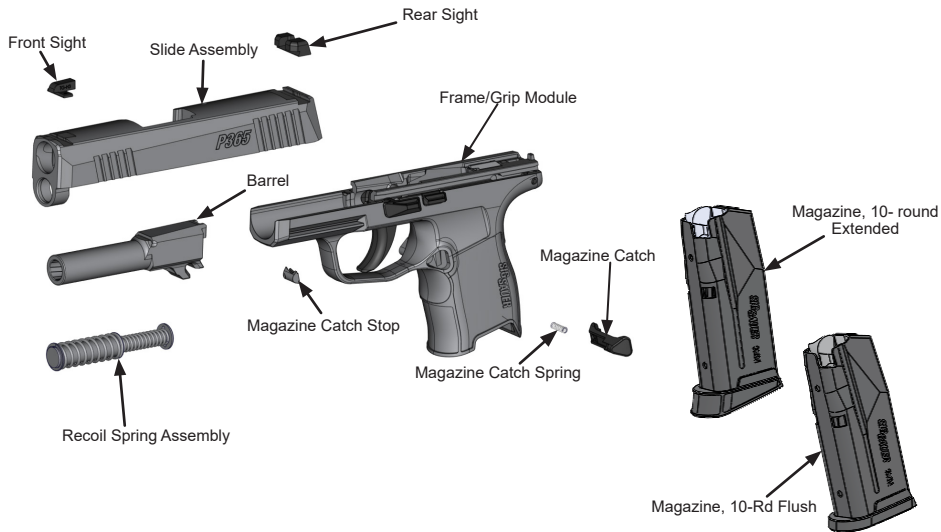
4. Generally, an individual may ship firearms to the manufacturer for repair or service. Some states and localities, however, prohibit this. If you live in such an area, the firearms must be shipped by and returned to a federally licensed firearms dealer.
5. Federal law prohibits persons who do not possess a Federal Firearms License (FFL) from shipping a firearm via the U.S. Postal Service. (Note: any shipment of firearms outside U.S. borders is subject to the export laws of the United States and to the valid laws of the specific country, which you must strictly follow; prior to exporting any firearm you should seek legal counsel.)
6. SIG SAUER is not responsible for any firearm until it is received, nor for damage incurred during shipment.
7. Ship your firearms insured and prepaid (we do not accept collect shipments) to:

SIG SAUER, Inc.
Attention: Service Department
18 Industrial Drive Exeter, NH 03833

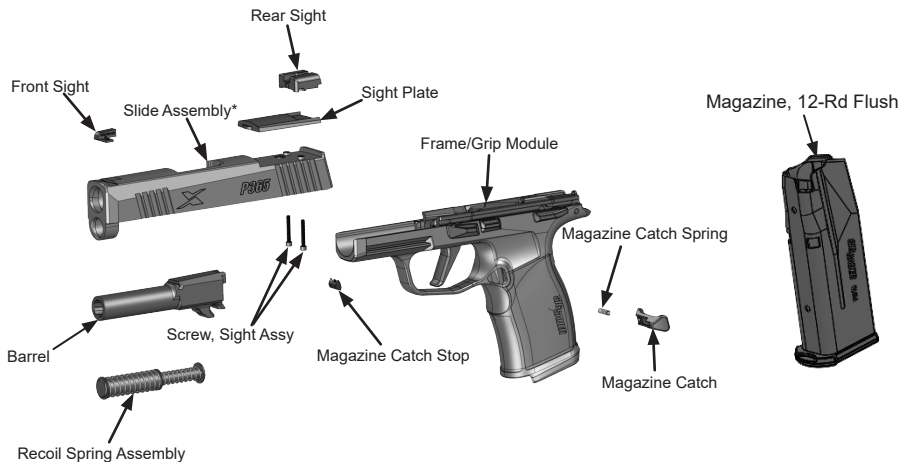
Don't forget to write your RMA number on the package. A copy of this instruction manual should always accompany this pistol and be transferred with it upon change of ownership.



13.0 P365 PARTS DIAGRAM



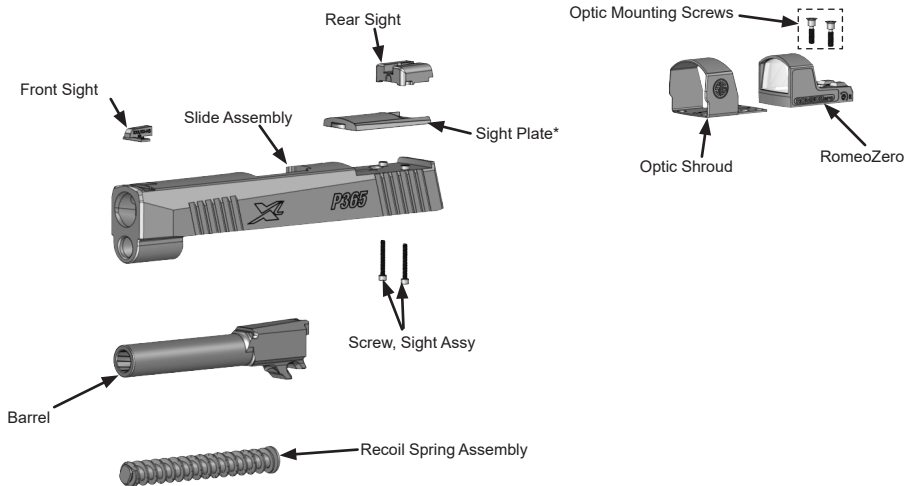
13.1 P365 XSERIES PARTS DIAGRAM



* INCLUDES PATENTED OPTIC CUT TECHNOLOGY DESIGNED BY ZEV TECHNOLOGIES™, PATENT NUMBER RE47335

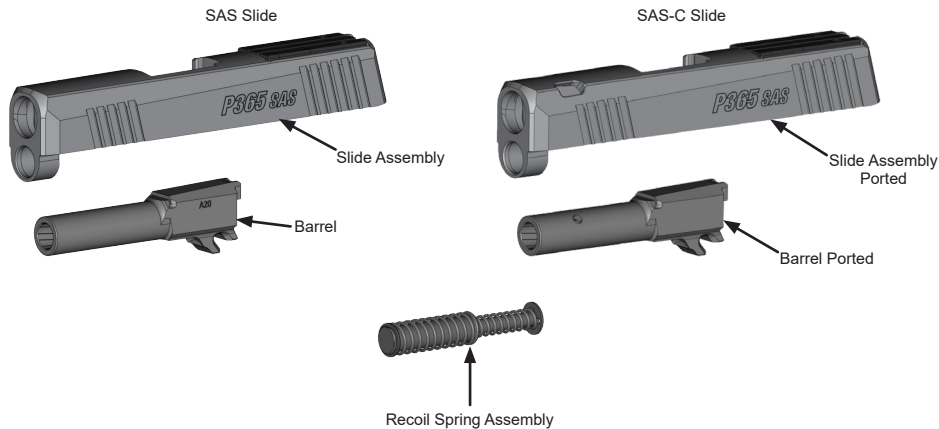


13.2 P365 XL PARTS DIAGRAM



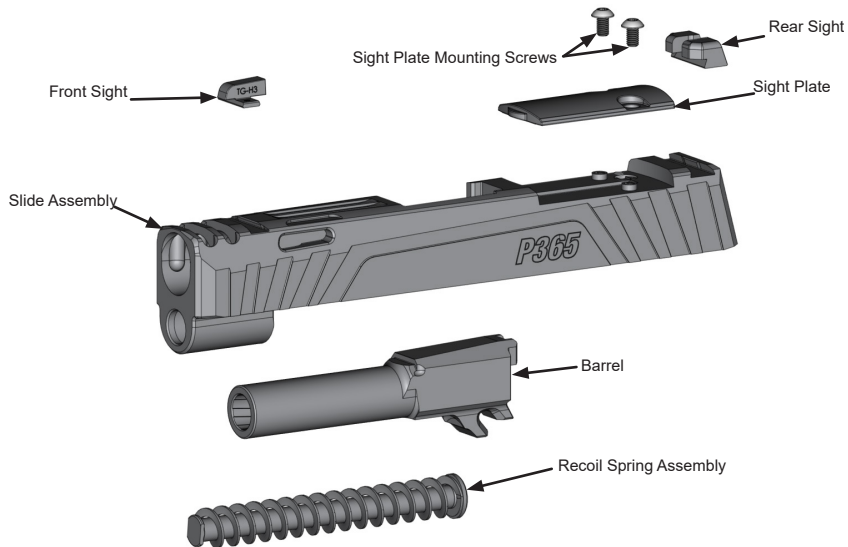
* INCLUDES PATENTED OPTIC CUT TECHNOLOGY DESIGNED BY ZEV TECHNOLOGIES™, PATENT NUMBER RE47335

13.3 P365 SAS PARTS DIAGRAM

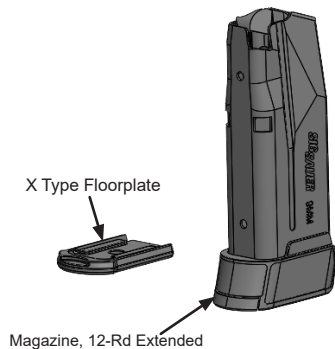
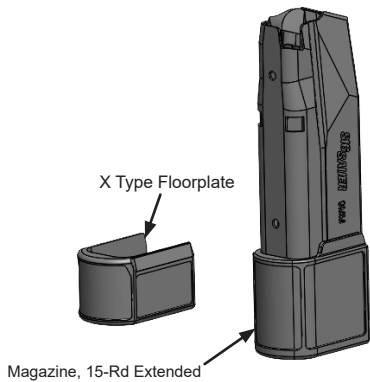




13.4 P365 SPECTRE COMP SLIDE PARTS DIAGRAM



13.5 OPTIONAL MAGAZINES





14.0 TECHNICAL SPECIFICATIONS

As a result of continuous improvement, the design and specification of this product is subject to change without notice. These specifications represent a new firearm. As parts break in, some specifications may change due to wear.

The following information applies to all P365 models.

- Striker-fired system
- Left hand or right hand operation (magazine catch can be repositioned to either side, optional ambidextrous manual safety)
- Glass reinforced grip module with integral accessory rail
- Grip modules feature stippled gripping surface for positive control
- High-strength stainless steel slide with front and rear cocking serrations

14.1 SPECIFICATIONS BY MODEL

Specification tables for each P365 model are available on-line at sigsauer.com.

Specifications are approximate and subject to change without notice.

THIS PAGE INTENTIONALLY LEFT BLANK



SIG SAUER® FIREARMS LIMITED LIFETIME WARRANTY

SIG SAUER warrants that the enclosed firearm was originally manufactured free of defects in material, workmanship, and mechanical function. For the lifetime of the original purchaser, SIG SAUER agrees to correct any defect in the firearm for the original purchaser by repair, adjustment, or replacement, at SIG SAUER's option, with the same or comparable quality components (or by replacing the firearm at SIG SAUER's option); provided however that a Return Merchandise Authorization (RMA) is first obtained by contacting SIG SAUER Customer Service, and the firearm is returned unloaded and freight prepaid to:

SIG SAUER
18 Industrial Drive,
Exeter, NH 03833.

This limited warranty is null and void if the firearm has been misused, damaged (by accident or otherwise), fired with handloaded, reloaded, or improper ammunition, fired with an obstruction in the barrel, damaged through failure to provide reasonable and necessary maintenance as described in the manual accompanying the firearm, or if unauthorized repair or any alteration, including of a cosmetic nature, has been performed on the firearm. This limited warranty does not apply to normal wear and tear of any parts.

Subject to the foregoing, this limited warranty confers the right to have the covered firearm or its parts repaired, adjusted, or replaced exclusively upon the original purchaser, which right is not transferable to any other person. This warranty does not apply to any accessory items attached or appurtenant to the firearm.

ANY WARRANTIES IMPLIED BY LAW, INCLUDING ANY IMPLIED WARRANTIES OF MERCHANTABILITY OR FITNESS FOR A PARTICULAR PURPOSE, ARE EXPRESSLY DISCLAIMED. REPAIR, ALTERATION, OR REPLACEMENT AS PROVIDED HEREIN IS YOUR EXCLUSIVE REMEDY FOR ANY DEFECTIVE PRODUCT. IN NO EVENT SHALL SIG SAUER OR ANY COMPANY AFFILIATED WITH SIG SAUER BE LIABLE FOR ANY SPECIAL, INCIDENTAL, OR CONSEQUENTIAL DAMAGES OF ANY KIND ARISING OUT OF THE PURCHASE OR USE OF THIS PRODUCT, WHETHER BASED UPON CONTRACT, TORT, STATUTE, OR OTHERWISE.

Some states do not allow the exclusion or limitation of implied warranties, or the exclusion or limitation of incidental or consequential damages, so some or all of the above limitations or exclusions may not apply to you. This warranty gives you specific legal rights, and you may also have other rights which vary from State to State.

THIS WARRANTY APPLIES TO U.S. COMMERCIAL CUSTOMERS ONLY, AND DOES NOT APPLY TO GOVERNMENT, MILITARY, LAW ENFORCEMENT, OR NON-US CUSTOMERS. NON-US CUSTOMERS SHOULD CONTACT THEIR LOCAL DEALER OR DISTRIBUTOR FOR APPLICABLE WARRANTY COVERAGE.



SIG SAUER® LIMITED LIFETIME FCU WARRANTY

SIG SAUER warrants that the enclosed Fire Control Unit (FCU) was originally manufactured free of defects in material, workmanship, and mechanical function. For the lifetime of the original purchaser, SIG SAUER agrees to correct any defect in the product for the original purchaser by repair, adjustment, or replacement, at SIG SAUER's option, with the same or comparable quality components (or by replacing at SIG SAUER's option; provided however that a Return Merchandise Authorization (RMA) is first obtained by contacting SIG SAUER Customer Service, and that the product is returned unloaded and freight prepaid to:

SIG SAUER
18 Industrial Drive,
Exeter, NH 03833.

Provided that an FCU is assembled using a factory SIG SAUER slide assembly, barrel, guide rod assembly, and grip module assembly, the resulting complete firearm will be covered by this limited warranty. Assembly of the FCU using aftermarket parts voids the application of this warranty to the completed firearm.

This limited warranty is null and void if the FCU has been misused; damaged (by accident or otherwise); fired with handloaded, reloaded, or improper ammunition; fired with an obstruction in the barrel; damaged through failure to provide reasonable and necessary maintenance as described in the accompanying owner's manual; or if unauthorized repair or any alteration, including of a cosmetic nature, has been performed on the FCU or firearm assembled from the FCU. This limited warranty does not apply to normal wear and tear of any parts. Subject to the foregoing, this limited warranty confers the right to have the covered firearm or its parts repaired, adjusted, or replaced exclusively upon the original purchaser, which right is not transferable to any other person. This warranty does not apply to any accessory items attached or appurtenant to the FCU or firearm assembled from the FCU.

ANY WARRANTIES IMPLIED BY LAW, INCLUDING ANY IMPLIED WARRANTIES OF MERCHANTABILITY OR FITNESS FOR A PARTICULAR PURPOSE, ARE EXPRESSLY DISCLAIMED. REPAIR, ALTERATION, OR REPLACEMENT AS PROVIDED HEREIN IS YOUR EXCLUSIVE REMEDY FOR ANY DEFECTIVE PRODUCT. IN NO EVENT SHALL SIG SAUER OR ANY COMPANY AFFILIATED WITH SIG SAUER BE LIABLE FOR ANY SPECIAL, INCIDENTAL, OR CONSEQUENTIAL DAMAGES OF ANY KIND ARISING OUT OF THE PURCHASE OR USE OF THIS PRODUCT, WHETHER BASED UPON CONTRACT, TORT, STATUTE, OR OTHERWISE.

Some states do not allow the exclusion or limitation of implied warranties, or the exclusion or limitation of incidental or consequential damages, so some or all of the above limitations or exclusions may not apply to you. This warranty gives you specific legal rights, and you may also have other rights which vary from State to State.

THIS WARRANTY APPLIES TO U.S. COMMERCIAL CUSTOMERS ONLY, AND DOES NOT APPLY TO GOVERNMENT, MILITARY, LAW ENFORCEMENT, OR NON-US CUSTOMERS. NON-US CUSTOMERS SHOULD CONTACT THEIR LOCAL DEALER OR DISTRIBUTOR FOR APPLICABLE WARRANTY COVERAGE.



NOTES:

NOTES:

SIG SAUER®

sigsauer.com

SIG SAUER, Inc.
72 Pease Boulevard, Newington, NH 03801 USA

All trademarks, service marks, trade names, trade dress, product names and logos appearing in this manual are the property of their respective owners. No trademark or service mark appearing in this manual may be used without written consent of the mark's owner.