



# REVOLVERS

INSTRUCTION MANUAL

## GENERAL SAFETY, OPERATING INSTRUCTIONS AND LIMITED WARRANTY

### READ CAREFULLY BEFORE USING YOUR FIREARM

**Important:** Keep this manual with your firearm.

The information contained in this manual is useful, both for beginners and experienced shooters. In addition to important information about the function, cleaning and care of the firearm, this manual contains instructions that may be very helpful in shooting safely.

**The most important rule of safe firearm handling is always keep the muzzle pointed in a safe direction!**



# REVOLVERS

TaurusUSA.com

f /TaurusUSA

t @taurususa

@TaurusUSA

# CONTENTS

Firearm Safety.....	6
Get To Know Your Revolver.....	12
Ammunition .....	26
Operating Instructions.....	30
Care and Maintenance.....	38
Exploded View.....	40
Taurus® Service.....	50
Limited Warranty .....	52



## WARNING

The safety warnings in this booklet are important. By understanding the dangers inherent in the use of any firearm, and by taking the precautions described herein, you can safely enjoy your Taurus® firearm. Failure to follow any of these warnings may result in serious injury to you or others, as well as severe damage to the firearm or other property.

**NOTES**

---

---




---

---

---

**SIGNAL WORDS AS DEFINED BY ANSI Z535.6 AND Z535.4 STANDARDS.**

*Intentionally left blank*

 <b>DANGER</b>	DANGER indicates a hazardous situation which, if not avoided, will result in death or serious injury.
 <b>WARNING</b>	WARNING indicates a hazardous situation which, if not avoided, could result in death or serious injury.
 <b>CAUTION</b>	CAUTION indicates a hazardous situation which, if not avoided, could result in minor or moderate injury.
<b>NOTICE</b>	NOTICE is used to address practices not related to physical injury.

## FIREARMS SAFETY



### WARNING

When a firearm discharges, the bullet or shot can strike a person, resulting in death or serious bodily injury.

The three basic keys to safe handling of firearms:

- 1. KEEP YOUR FINGER OFF THE TRIGGER UNTIL YOU ARE READY TO FIRE.** If you maintain good trigger discipline, it is extremely unlikely the firearm will fire.
- 2. KEEP THE MUZZLE POINTED IN A SAFE DIRECTION.** Even if the firearm discharges, if the muzzle is pointed in a safe direction, no one will be injured.
- 3. NEVER TRUST ANY SAFETY MECHANISM.** If you adopt the attitude that you will not trust any safety mechanism, you will be vigilant about keeping your finger off the trigger and keeping the muzzle pointed in a safe direction.



### WARNING - KNOW YOUR TARGET

Never fire at targets at close range. Ricochets can and do cause death or serious bodily injury. What constitutes "close range" depends on many factors including target material, bullet caliber and angle of impact.

**KNOW WHAT IS BEHIND YOUR TARGET.** Unless you are shooting into a bullet trap designed to capture the type of ammunition you are firing, projectiles may pass through the target and strike anyone or anything beyond. Bullets can travel miles.

**ALWAYS WEAR HEARING PROTECTION.** Firearms are loud. The sound they generate is greater indoors. Repeated exposure to loud noises can cause deafness. Hearing protection is rated by decibel reduction. Look for "dB" reduction of 30 or more when purchasing ear protection. Modern ear protection can allow normal hearing until the sound from the discharge reaches the ear. Layering hearing protection, for example, wearing 30db rated foam plugs inside of 20db rated ear muffs, significant protection can be achieved.

**ALWAYS WEAR EYE PROTECTION.** In normal operation, firearms emit hot high-velocity gases, particles and metal. These materials flying into your eye can cause blindness. Protect your vision with proper eye protection. Any eye protection may be better than none, but look for ANSI Z87.1-2003 certified eyewear for the best protection.

**NEVER HANDLE FIREARMS WHILE UNDER THE INFLUENCE OF DRUGS OR ALCOHOL.** Firearms are dangerous. Handling firearms while impaired by drugs or alcohol is foolhardy and may result in serious injury or death. This warning includes prescription drugs that contain a warning about using machinery or driving while taking the medication.

**MODIFIED FIREARMS ARE DANGEROUS, AND USE CAN RESULT IN SERIOUS INJURY OR DEATH.** "Trigger jobs," polishing original components or installing aftermarket parts can cause a firearm to function in ways different than intended. Some such work may also be illegal.

**DAMAGED FIREARMS ARE DANGEROUS, AND USE CAN RESULT IN SERIOUS INJURY OR DEATH.** Repairs should always be made by a qualified gunsmith or by a factory-authorized repair site. Work done by those unfamiliar with the design can cause a firearm to function in ways different than intended.

**NEVER ATTEMPT TO DISASSEMBLE OR CLEAN A LOADED FIREARM. DOING SO CAN RESULT IN SERIOUS BODILY INJURY OR DEATH.** How often have we heard "But it went off while I was cleaning it!" or, "I did not know it was loaded!" or, "It was jammed, and I tried to take it apart!"?

**IF A FIREARM GOES OFF, THERE WAS A ROUND OF AMMUNITION IN THE CHAMBER.** Period. "Clear" (or empty) the firearm of all ammunition before disassembling or cleaning.

As owner of your new Taurus® firearm, you are responsible for (1) keeping your finger off the trigger, (2) pointing the muzzle in a safe direction, (3) opening the cylinder by pressing the thumb piece and completely swinging out the cylinder (4) looking and feeling each chamber to confirm the revolver is empty.

## **FIREARMS SAFETY SYSTEMS**

Firearms safety is supported by a system. With your revolver, the system is made up of the following:

**You!** Your involvement in safety cannot be overemphasized. No safety component can keep your finger off the trigger and the muzzle pointed in a safe direction. Also, you are the key to never trusting any of the mechanical parts of the safety system.

**Revolver** Be sure the firearm is completely unloaded and contains no cartridges or cartridge cases. With the thumb of the right hand push the thumb piece forward. Then press on the cylinder to swing it to the left. Visually check that all seven (7) chambers are empty.

## **PISTOL AND REVOLVER SIZE AND SAFETY**

The selection of a revolver versus a pistol as well as the size, caliber and magazine capacity of a handgun are personal choices. There are many choices to be made, and there are advantages and disadvantages for each.

Generally speaking, smaller handguns may require more attention to be handled safely than medium or full-size handguns. This is because their small size makes it easier to point the muzzle at your hand or to “sweep” (swing the muzzle across your body) yourself or others in ordinary handling.

When loading the cylinder keep the muzzle pointed in a safe direction.

## **SAFE CARRY CONDITION**

“Safe Carry Condition” is the most ready-to-fire condition that the user feels is reasonable under the circumstances.

Generally, we believe Taurus revolvers should be carried with an empty chamber under the hammer. Under most circumstances, this provides the best balance of readiness and safety.

“Safe Carry Condition” is a judgment call and must be made by the user. Some users routinely face greater threats than others. User’s must be aware of their situation and circumstances. Errors in judgment can have dire and tragic outcomes if firearms are present.

## CARRYING FIREARMS

Carrying a firearm can be dangerous and puts great responsibility on the person in possession of the firearm. Carrying or handling a firearm makes it more difficult to maintain control over the muzzle and makes it more likely that the firearm may be dropped or bumped, resulting in the firearm discharging. There are advantages and disadvantages to various methods of carrying any firearm. Educate yourself and choose which carry method is best for you and those around you.

In almost all circumstances, it is safest to carry a handgun in a holster designed for that specific handgun. Carrying a handgun in a pocket or in a waistband is always a last choice. Carrying any handgun in a holster that fits the firearm should prevent it from accidentally falling and you from losing control of the muzzle. Generally, we believe Taurus revolvers should be carried with an empty chamber under the hammer. Under most circumstances, this provides the best balance of readiness and safety.



### WARNING - CARRYING

Do not carry your firearm in any way that might let it fall or be bumped. If a firearm falls or is bumped, it may fire.



### WARNING - HANDLING

If the trigger is held to the rear, the gun can fire if the hammer strikes the transfer bar. Note that it need not be any deliberate effort to pull the trigger. Any situation where the trigger attains its rearward position and permits the transfer bar to be interposed between the hammer and the firing pin can cause the cartridge under the firing pin to discharge. Never drop or strike the revolver. Cocked or uncocked. Carry and handle the revolver in such a manner that the hammer and trigger will not be struck.

**NEVER CARRY ANY REVOLVER WITH THE HAMMER COCKED OR THE TRIGGER HELD TO THE REAR**

## FIREARMS STORAGE AND GUN LOCKS

How you secure your firearms is a personal choice based on the unique circumstances in your home, business or vehicle and the laws of the state where your firearm is located. Any choice you make about securing your firearms will present advantages and disadvantages. It is up to you to weigh those advantages and disadvantages and choose which security method is best for you and those around you.



### WARNING - LOCKING

Never lock a firearm with a round of ammunition under the hammer. Unlocking a loaded firearm makes it more difficult to maintain trigger discipline and to keep the muzzle pointed in a safe direction.



### WARNING

Securing your firearm may inhibit access in a defensive situation and may result in injury or death.



### WARNING

Failure to secure a firearm may result in injury or death. Properly securing a firearm means storing your firearm unloaded, decocked and securely locked, with all ammunition in a separate location.

## SMALL FRAME FIXED SIGHTS REVOLVERS

Model	17C 17 C UL	410 PD	605 905	73	731 731 UL	85 85 Ti	85 UL 85 UL/Ti	650, 850 850 UL/Ti	651 851
<b>Caliber</b>	.17 HMR	.45LC/ 410GA	.357mag 9mm	.32 SW Long	.32 H&R Magnum	.38 Special	.38 Special	.357 (650) .38 (850)	.357 (651) .38 (851)
<b>Action</b>	DA/SA	DA/SA	DA/SA	DA/SA	DA/SA	DA/SA	DA/SA	DAO	DA/SA
<b>Capacity</b>	8	5	5	6	6	5	5	5	5
<b>Barrel Length</b>	2" / 4" / 5"	2"	2"	2" / 3"	2"	2"	2"	2"	2"
<b>Overall Length</b>	6.8" / 8.8" / 9.8"	7.8"	6.5"	6.75" 7.75"	6.25"	6.25" 7.75"	6.5"	6.5"	6.5"
<b>Weight</b>	19 oz. (UL-2") 24 oz. (2") 28.7 oz. (4") 31.6 oz. (5")	27.5 oz.	24 oz. 21 oz.	22 oz. 32 oz.	21 oz. 17 oz.	21 oz. 16 oz.	17 oz. 14.25 oz.	23.5 oz. 17.3 oz.	25 oz. (BL/SS) 16.8 (UL)
<b>Sights (Front)</b>	Serrated Ramp								
<b>Sights (Rear)</b>	Fixed								
<b>Grips</b>	Rubber								
<b>Finish</b>	Blue or Stainless								
	Blue								
	Stainless								

**12** Always keep the muzzle pointed in a safe direction and finger off the trigger.

Always keep the muzzle pointed in a safe direction and finger off the trigger. **13**

## SMALL FRAME FIXED SIGHTS REVOLVERS

Model	327	380 UL	851 UL/Ti	94
<b>Caliber</b>	.327 Fed. mag.	.380 ACP	.38	.22 LR
<b>Action</b>	DA/SA	DAO	DA/SA	DA/SA
<b>Capacity</b>	6	5	5	9
<b>Barrel Length</b>	2"	3"	2"	2" / 3" / 4" / 5"
<b>Overall Length</b>	7.75"	7.2"	6.5"	6.5" / 7.75" / 8.75" / 9.75"
<b>Weight</b>	24.7 oz.	16 oz.	15.5 oz.	24 oz. / 23.5 oz. / 25.5 oz. / 26.5 oz
<b>Sights (Front)</b>	Serrated Map			
<b>Sights (Rear)</b>	Adjustable for windage and elevation (except M865 BL/SS) Drift adjustable (M856 magnesium, M851 UL and M380 UL only)			
<b>Grips</b>	Rubber			
<b>Finish</b>	Blue, stainless or magnesium (M856)			

941	94 UL	941 UL
.22 Magnum	.22 LR	.22 Magnum
DA/SA	DA/SA	DA/SA
8	9	8
2" / 3" / 4"	2"	2"
6.75" / 7.75" / 8.75"	6.75"	6.75"
24 oz. / 25.5 oz. / 27.5 oz.	17 oz.	17 oz.
Serrated Map		
Adjustable for windage and elevation (except M865 BL/SS) Drift adjustable (M856 magnesium, M851 UL and M380 UL only)		
Rubber		
Blue, stainless or magnesium (M856)		

**14** Always keep the muzzle pointed in a safe direction and finger off the trigger.

Always keep the muzzle pointed in a safe direction and finger off the trigger. **15**



## COMPACT FRAME FIXED SIGHTS REVOLVERS

Model	410 410 UL	413	405	415 415 Ti	445 UL	450 450 (Ti/UL)	617 617 Ti	817 UL
<b>Caliber</b>	45 LC/ .410 GA	45 LC .410 GA (3")	.40 S&W	.41 Magnum	.44 Special	.45 Long Colt	.357 Magnum	.38 Special
<b>Action</b>	DA/SA	DA/SA	DA/SA	DA/SA	DA/SA	DA/SA	DA/SA	DA/SA
<b>Capacity</b>	5	5	5	5	5	5	7	7
<b>Barrel Length</b>	3" / 4" / 6.5"	3" / 4" / 6.5"	2" / 3" / 4"	2.5"	2"	2"	2"	2"
<b>Overall Length</b>	8.5" / 9.5" / 11.5"	9.5" / 10.5" / 12.5"	7" / 8" / 9"	7.5"	7"	7"	7"	7"
<b>Weight</b>	35 oz. (3") 24 oz. (3"UL)	38.8 oz. / 38 oz. 41 oz.	28.2 oz.	30 oz. 21 oz.	21.7 oz.	28.2 oz. 19.8 oz. (Ti) 21.7 oz. (UL)	30 oz. / 20 oz.	22 oz.
<b>Sights (Front)</b>	Fiber Optic	Fiber Optic	Serrated Ramp	Serrated Ramp	Serrated Ramp	Serrated Ramp	Fixed	Fixed
<b>Sights (Rear)</b>	Fixed	Fixed	Fixed	Fixed	Fixed	Fixed	Rubber	Rubber
<b>Grips</b>	Rubber	Rubber	Rubber	Rubber	Rubber	Rubber	Rubber	Rubber
<b>Finish</b>	Blue, matte stainless or titanium (415, 450 and 617 only)	Blue, matte stainless or titanium (415, 450 and 617 only)	Blue, matte stainless or titanium (415, 450 and 617 only)	Blue, matte stainless or titanium (415, 450 and 617 only)	Blue, matte stainless or titanium (415, 450 and 617 only)	Blue, matte stainless or titanium (415, 450 and 617 only)	Blue, matte stainless or titanium (415, 450 and 617 only)	Blue, matte stainless or titanium (415, 450 and 617 only)

**16** Always keep the muzzle pointed in a safe direction and finger off the trigger.

Always keep the muzzle pointed in a safe direction and finger off the trigger. **17**

## COMPACT FRAME ADJUSTABLE SIGHTS REVOLVERS

Model	17	44 C	425 425 Ti	455	460	627 627 Ti	970	DA/SA 971	990	991	992
<b>Caliber</b>	.17 HMR	.44 mag	.41 mag	.45 ACP	.45 Long Colt	.357 Mag	.22 LR	.22 Mag	.22 LR	.22 Mag	.22 LR .22 mag.
<b>Action</b>	DA/SA	DA/SA	DA/SA	DA/SA	DA/SA	DA/SA	DA/SA	DA/SA	DA/SA	DA/SA	DA/SA
<b>Capacity</b>	7	5	5	5	5	7	7	7	9	9	9
<b>Barrel Length</b>	4" / 6.5"	4"	4"	2" / 4" / 6.5"	4" / 6.5"	4" / 6.5"	6.5"	6.5"	4"	4"	4" / 6.5"
<b>Overall Length</b>	9" / 11.5"	9"	9"	6.75" 8.75" 10.75"	9" / 11.5"	9" / 11.5"	11.5"	11.5"	8.8"	8.8"	11.4"
<b>Weight</b>	37.7 oz. 45 oz.	34 oz.	34.7 oz. 24.2 oz.	24 oz. 29 oz. 41 oz.	24.8 oz. 40.8 oz.	34.7 oz. 40 oz.	45 oz.	45 oz.	38 oz.	38 oz.	55 oz.
<b>Sights (Front)</b>	Serrated Ramp										
<b>Sights (Rear)</b>	Adjustable										
<b>Grips</b>	Rubber										
<b>Finish</b>	Blue, matte stainless or titanium (425 and 627 only)										

**18** Always keep the muzzle pointed in a safe direction and finger off the trigger.

Always keep the muzzle pointed in a safe direction and finger off the trigger. **19**

## MEDIUM FRAME ADJUSTABLE SIGHTS REVOLVERS

Model	65	82	66	83	86	96
<b>Caliber</b>	.357 Magnum	.38 Special	.357 Magnum	.38 Special	.38 Special	.22 Long Rifle
<b>Action</b>	DA/SA	DA/SA	DA/SA	DA/SA	DA/SA	DA/SA
<b>Capacity</b>	6	6	7	6	6	6
<b>Barrel Length</b>	3" / 4"	3" / 4"	4" / 6"	3" / 4"	6"	6"
<b>Overall Length</b>	9.5" / 10.5"	8.25" / 9.25"	9.75" / 12"	8.75" / 9.75"	11.75"	11.75"
<b>Weight</b>	35 oz. 36.75 oz.	32.25 oz. 34.4 oz.	38 oz. 40.25 oz.	34.25 oz. 36 oz.	40 oz.	44 oz.

<b>Sights (Front)</b>	Fixed	Serrated Ramp
<b>Sights (Rear)</b>	Fixed	Micrometric click, adjustable for windage and elevation
<b>Grips</b>	Blue or Stainless	Rubber
<b>Finish</b>	Blue or Stainless	Rubber

## LARGE FRAME REVOLVERS

Model	608	44	30	218
<b>Caliber</b>	.357 Magnum	.44 Magnum	.30 Carbine	.218 Bee
<b>Action</b>	DA/SA	DA/SA	DA/SA	DA/SA
<b>Capacity</b>	8	6	8	8
<b>Barrel Length</b>	4" / 6.5" / 8.3/8"	4" / 6.5" / 8.3/8"	10"	10"
<b>Overall Length</b>	9.5" / 11.9" / 13.75"	9.4" / 11.85" / 13.75"	16"	16"
<b>Weight</b>	44 oz. / 51 oz. / 56 oz.	44.75 oz. / 52.5 oz. / 57.25 oz.	71 oz.	75.8 oz.

<b>Sights (Front)</b>	Serrated Ramp	Patridge Style
<b>Sights (Rear)</b>	Micrometric click, adjustable for windage and elevation	
<b>Grips</b>	Blue or Stainless	Rubber
<b>Finish</b>	Blue or Stainless	Stainless

## RAGING BULL STYLE LARGE FRAME REVOLVERS

Model	416	444	444 UL/Ti	454	513	513 UL
<b>Caliber</b>	.41 Magnum	.44 Magnum	.44 Magnum	.454 Casull	.410 ga 3" .45 Long Colt	.410 ga 3" .45 Long Colt
<b>Action</b>	DA/SA	DA/SA	DA/SA	DA/SA	DA/SA	DA/SA
<b>Capacity</b>	6	6	6	5	6	7
<b>Barrel Length</b>	6.5" 8.4"	6.5" 8.4"	2.25" 4"	2.25" 5" 6.5" 8.4"	3" 6.5"	3" 6.5"
<b>Overall Length</b>	12" 14"	12" 14"	8" 9.75"	7.5" 10.5" 12" 14"	10.2" 13.6"	10.2" 13.6"
<b>Overall Height</b>						
<b>Overall Width</b>						
<b>Weight</b>	53 oz. 63 oz.	54 oz. 63 oz.	27.3 oz. 28.3 oz.	48 oz. 51 oz. 53 oz. 63 oz.	62 oz. 73 oz.	41.5 oz. 47.5 oz.
<b>Sights (Front)</b>	Patridge style or fixed with fiber optic (444 UL/Ti only)			Fixed with fiber optic		
<b>Sights (Rear)</b>	Micrometric click, adjustable for windage and elevation or fixed. (444 UL/Ti only)			Fixed		
<b>Grips</b>	Rubber			Rubber		
<b>Finish</b>	Blue and Stainless			Blue and Stainless		

*Intentionally left blank*

## LOCKING DEVICE INSTALLATION INSTRUCTIONS

If your Taurus firearm is equipped with TSS (Taurus Security System) and comes with a key, please follow instructions below:

### WARNING - LOCKING DEVICES

- Always keep your firearm pointed in a safe direction, including when you are installing or removing your locking device.
- Always verify that your firearm is completely unloaded (see page 20) before installing your locking device.
- Do not install locking devices in the trigger guard; always keep your fingers and locking device outside the trigger guard during device installation and removal.
- Store firearms, ammunition and keys separately and securely, away from children and careless adults; do not store your firearm with the keys in the locking device.
- Do not attempt to work the action of your firearm with the locking device in place; this may damage your firearm.
- While locking devices are an important aid to security measures, they are not a substitute for safe firearm handling and proper storage. Remember that any mechanical device can be bypassed with enough time, knowledge, determination and equipment.

### LOCKING DEVICES MUST BE USED SAFELY AND RESPONSIBLY

The Taurus Revolver is equipped with the exclusive "Taurus Security System." The system is designed to preclude use of the revolver when the mechanism is engaged. It consists of an integral mechanism located in the frame or in the hammer (Fig. 1).

When properly engaged by use of the key, it prevents the functioning of the revolver. The engagement of the mechanism can only be done utilizing a special key that fits the activation pin.

#### Engagement (secure)

To engage the system, it is necessary to insert the key into the activation pin and turn it clockwise until a "click" is felt or heard (Fig. 2). In this position, the revolver's mechanism is locked and the pin protrudes above the surface of the frame or of the hammer (Fig. 3).

#### Disengagement (ready-to-fire)

To place the revolver in a firing condition, you must insert the key in the security mechanism pin and turn the key counter-clockwise (Fig. 4). In this position the top of the pin is in the same plane with the hammer or frame surface (Fig. 5). The revolver is now ready to fire.



If your Taurus firearm is not equipped with TSS (Taurus Security System) and comes with a cable lock, please follow instructions below:

### **WARNING - LOCKING DEVICES**

- Always keep your firearm pointed in a safe direction, including when you are installing or removing your locking device.
- Always verify that your firearm is completely unloaded (see page 20) before installing your locking device.
- Do not install locking devices in the trigger guard; always keep your fingers and locking device outside the trigger guard during device installation and removal.
- Store firearms, ammunition and keys separately and securely, away from children and careless adults; do not store your firearm with the keys in the locking device.
- Do not attempt to work the action of your firearm with the locking device in place; this may damage your firearm.
- While locking devices are an important aid to security measures, they are not a substitute for safe firearm handling and proper storage. Remember that any mechanical device can be bypassed with enough time, knowledge, determination and equipment.

### **LOCKING DEVICES MUST BE USED SAFELY AND RESPONSIBLY**

**It is important to use the locking device on your Taurus® firearm!**

Keep the muzzle pointed in a safe direction and your fingers outside the trigger guard at all times during installation of the locking device!

#### **To Install the Factory-Supplied Locking Device:**

1. Be sure the firearm is completely unloaded and contains no cartridges or cartridge cases.
2. Depress Thumb Piece. Completely swing out the cylinder.
3. Feed the cable portion of the cable lock through two opposite chambers in the cylinder (Figure 1).
4. To lock: With the key turned to the farthest clockwise position, insert the loose end of the cable into the lock. Turn the key counterclockwise and remove the key.
5. Once the lock is securely closed, pull firmly on the lock to test the connection and be sure it is locked. Do not leave or store your firearm with the key in the lock! Store your locked, unloaded firearm and the key in secure, separate locations, away from ammunition, children, and unauthorized adults.



### **WARNING**

Never leave your keys in the lock when the lock is installed on the firearm.

## AMMUNITION



### WARNING

Using the wrong ammunition in your revolver can result in serious bodily injury and damage to your revolver. Make certain the ammunition you load is the same caliber as is marked on the revolver.



### WARNING - AMMUNITION AND INDUSTRY STANDARDS

Use only clean, dry factory-loaded ammunition. Old, damaged, wet or oily ammunition may fire at pressures higher than industry standard, causing injury to you and bystanders or damage to your revolver.

Do not use reloaded ammunition in your revolver. Its firing pressures are unknown and may well exceed industry standard, causing injury to you and bystanders or damage to your revolver.

Odd sounds are signs of trouble. If a round "does not sound right" when it goes off, stop firing right away. A bullet may be stuck in the barrel. Firing the revolver in this condition may cause pressures higher than industry standard, causing injury to you and bystanders or damage to your revolver.

If you hear any odd sounds when firing your revolver, stop firing, and unload the revolver in accordance with the procedure in this manual. Once unloaded and all cylinders are empty and clear, with the cylinder open, inspect the bore. If you don't see light, there is something tucked in the bore. Do not fire the revolver again and take the revolver to a qualified gunsmith or contact the Taurus® Service Department at 800-327-3776.



### WARNING - LEAD AND HAZARDOUS CHEMICAL EXPOSURE

Discharging firearms in poorly ventilated areas, handling, and/or cleaning firearms or handling ammunition can expose you to chemicals including lead which is known to the state of California to cause cancer and birth defects or other reproductive harm. For more information, go to [www.P65Warnings.ca.gov](http://www.P65Warnings.ca.gov)

Have adequate ventilation at all times. Wash hands thoroughly after exposure with soap and water.

**SHOOTING OR CLEANING GUNS MAY EXPOSE YOU TO LEAD**



### WARNING

"+P" ammunition can be dangerous. There is a detailed discussion about "+P" and "+P+" ammunition on page 18 of this manual. Until you have read that information, do not fire any ammunition marked "+P" in your revolver.



### WARNING

Never fire ammunition marked "+P+" in your revolver. It does not comply with industry standards as to chamber pressures.



### WARNING

It is DANGEROUS to fire "+P+" ammunition in any Taurus® firearm, and doing so may result in serious bodily injury or death. The Sporting Arms and Ammunition Manufacturers Institute (SAAMI) does not recognize any "+P+" ammunition at all. These loads operate at unknown pressures.

There are only four calibers that can carry a "+P" rating from SAAMI. They are 38 Special +P, 9mm Luger +P, 38 Super Automatic and 45 Automatic +P. There are no other SAAMI approved "+P" loads. Any ammunition in any other caliber marked "+P" is not SAAMI compliant, may be dangerous and should not be used.

Only fire SAAMI rated Plus P ("+P") ammunition in Taurus® models designated by Taurus for +P use as below. **Firing +P ammunition in other Taurus products may be dangerous and can result in serious bodily injury or death.**

Model 85 small-frame revolver in 38 Special.

Model 856 revolver in 38 Special.

Model 850 small-frame revolver in 38 Special.

Model 851 small-frame revolver in 38 Special.

Model 85 Polymer small-frame revolver in 38 Special.

Model 82 medium-frame revolver in 38 Special.

Model 817 compact frame (tracker) revolver in 38 Special.

All firearms chambered in 38 Super Automatic.

All firearms chambered in 45 Automatic (ACP).

All firearms chambered in 9mm Luger.

## NOTICE

Even if your Taurus® firearm is rated for Plus-P ("+P") ammunition, such ammunition generates pressures significantly in excess of the pressures associated with standard ammunition. Such pressures may affect the useful life of the firearm or exceed the margin of safety built into many firearms. Unless you need +P ammunition, do not use it, particularly for practice.

## NOTICE

You can use .38 Special ammunition in all Taurus® revolvers chambered for .357 Magnum; .44 Special ammunition in Taurus revolvers chambered for .44 Magnum and .45 Long Colt in Taurus revolvers chambered for .454 Casull. It is important to note that these are the only caliber substitutions that will function. Attempting to substitute other calibers can damage your firearm and may result in accidental death or serious injury.

## FIREARMS ARE NOT ALL ALIKE

Many makes and models of firearms might LOOK nearly the same. However, they differ widely in design, operation, and in the location and function of various controls. You may access the Taurus® website at TaurusUSA.com to view and print manuals.



## WARNING - ANY GUN MAY FIRE IF DROPPED

If dropped or struck, the revolver may fire. Keep the cylinder empty unless actually firing!



## WARNING

If dropped or struck the firearm should be inspected by a trained armorer/gunsmith for a complete function check. While the firearm was dropped or struck, mechanisms, including automatic safeties, may not function as intended resulting in accidental death or serious injury.



## OPERATING INSTRUCTIONS

The Taurus revolver has a swing out type cylinder with various numbers of chambers, turning around a central axis which allows you to fire (five, six, seven, eight or nine) shots. When the cylinder is locked in position, the revolver is ready for firing. The shots may be fired by single action (by cocking the hammer and thereafter, pulling the trigger) or by double action (by merely pulling the trigger).

Concealed hammer models are double action only. Cocking the revolver in both single and double action causes the cylinder to advance, aligning in succession, each of the chambers with the barrel. The cadence of shooting is limited by the shooters skill in loading the cylinder and his ability in operating the gun.

### LOADING THE CYLINDER FOR .357 MAGNUM / .38 SPECIAL

With the thumb of the right hand, push the thumb piece forward and at the same time press the cylinder, swinging it out to the left. **ATTENTION:** On Model 30, Model 218, Model 416, Model 454, Model 444, Model 45, Model 513 and Model 513UL using the left thumb, press down the front latch simultaneously. Holding the gun with the muzzle pointing downward and the cylinder in its outermost position insert the cartridges.

Once loaded, the cylinder must be closed again to its original position in the frame. After this the locking must be checked. To unload the revolver, the process is the same as to load it, but after opening, the barrel is pointed upward.

Cartridges are then ejected by pressing sharply on the extractor rod. Be sure that all fired cartridges are ejected. The cylinder is now ready to be reloaded.

## TAURUS STELLAR CLIP

Certain models of Taurus revolvers utilize the Taurus Stellar Clip to hold "rimless" cartridges in place in the cylinder. The Stellar Clip must be loaded with fresh cartridges and placed into the revolver cylinder as a unit. To load cartridges, grasp the cartridge by the bullet end and gently push the cartridge into the clip. Repeat until all cartridge slots are filled.



**WARNING**

The Stellar Clip, when loaded, should be treated the same as ammunition. Do not throw, drop or toss a loaded Stellar Clip.

To remove the spent cases, keep the muzzle pointed in a safe direction and open the cylinder. Use the ejector rod to push the cases and clip. Remove the clip from the cylinder and remove the cases from the clip.



**CAUTION**

Spent cases will be hot and may have sharp edges. Exercise caution when removing the cases or injury may occur.

### SWAPPING THE CYLINDER

The model 992, has two cylinders, one for the .22LR caliber, and other for the .22 Mag. The exchange can be done easily according to user needs. For that, follow the instructions below.

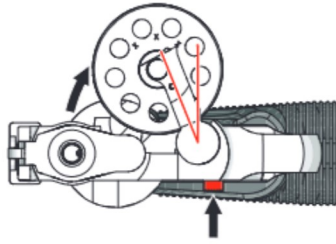
**NOTE:** For removal and placement, do not open the cylinder completely. Keep the opening angle according to the figure.

#### Removal

Keeping open the cylinder according to the figure, press the CYLINDER CATCH, and then remove the cylinder set.

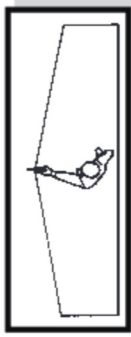
#### Placement

For placing the cylinder set, hold the CYLINDER CATCH pressed and put the new cylinder at the angle indicated by the figure.



### POSITION FOR TARGET SHOOTING

Take such a stance that your body faces the target at a 90 degree angle. Keep your feet 1 ft. to 1 1/2 ft. apart. Raise your arm so that it lines up naturally with the target. Your head should be turned as needed, so as to have a good sight picture. When you are in a correct position, aim the gun and squeeze the trigger.





#### AIMING

Align the front and rear sights carefully. The top of the front sight must be leveled with the top of the rear sight and set in the middle of the rear sight notch. The bullseye should rest on the top of the sights.

### SQUEEZE OF THE TRIGGER

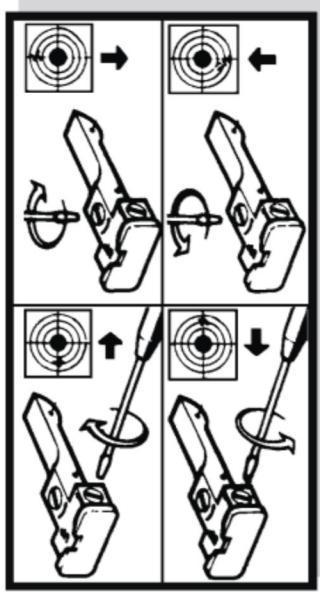
Squeeze the trigger carefully with your index-finger, keeping sight aligned with the target. If the trigger is jerked, the target will possibly be missed due to the movement of the gun. The pressure should be applied between the tip and the first joint of the finger. Press slowly and carefully. More speed will be gained with practice.

	
<b>! WARNING - FIRING</b>	
<p>When firing any revolver be sure all persons are a safe distance to the rear of the shooter. When fired, all revolvers discharge hot gas and particles through the clearance gap between the cylinder and rear of the barrel during normal use.</p> <p>When firing any revolver always be certain that nothing including your hands, fingers, and any body parts are not in the path of hot gases and particles which are discharged from the front and sides of the cylinder.</p>	
<b>HOT GASES EXIT BARREL/CYLINDER GAP</b>	

## ADJUSTING THE SIGHTS

### External Adjustable Sight Models Only

To adjust, make sure the firearm is unloaded and always keep the muzzle pointed in a safe direction. If possible, leave the cylinder open during adjustment. To raise the rear sight, turn the elevation adjusting screw counterclockwise. To lower the rear sight, turn the screw clockwise. When raising the sight the point of impact rises. Lowering the sight, the point is lowered. The rear sight can also be adjusted for windage. Turn the windage adjusting screw clockwise to move the notch to right side, and counter-clockwise to move the notch to left side.



### Integral Adjustable Sight Models Only

The sight blade may be adjusted from left to right only (windage).

To adjust, make sure the firearm is unloaded and always keep the muzzle pointed in a safe direction. If possible, leave the cylinder open during adjustment. Locate the adjustment screw on the top of the right side of the frame.

Turn the adjustment screw clockwise to move the notch to right side, and counter-clockwise to move the notch to left side.

## ADJUSTABLE HAMMER TENSION AND TRIGGER STOP

Taurus Silhouette Target revolvers are equipped with adjustable hammer tension and trigger stop. When adjusting, make sure the firearm is unloaded and always keep the muzzle pointed in a safe direction. If possible, leave the cylinder open during adjustment.

### ! WARNING

These are sensitive adjustments and should be made carefully and in small increments. Proper tools should always be used. If you are not comfortable with these adjustments or unfamiliar with them, do not attempt them. Improperly adjusting these settings can create a hazardous situation that can result in damage to the firearm, accidental death or serious injury.

### Hammer Tension Adjustment

### ! WARNING

The Hammer Tension setting is different for single-action and double-action shooting. Attempting to shoot double-action with the tension set for single can result in failure to fire, and may create a hazardous situation.

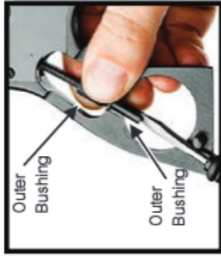
### ! WARNING

Some brands of ammunition and primers require harder firing pin impact than other brands. Caution should be exercised when adjusting the hammer tension so that the setting does not result in a firing pin strike too light to ignite the primer. This can create a failure to fire situation which may be hazardous.

**! WARNING**

It is possible to set the hammer tension too light to reliably fire the cartridge. This can result in a hazardous situation.

To adjust the hammer tension, remove the grip by loosening the single screw on the bottom of the grip and pulling it free from the frame. The adjustment knob is in the frame. Use a small, flat-bladed screw driver to hold the inner bushing and turn the outer bushing to adjust. Turn clockwise to loosen the tension and counter-clockwise to tighten. The tension can be checked by verifying that the firearm is unloaded, pointing the muzzle in a safe direction and "dry-firing" the revolver. When the hammer tension is adjusted, replace the grip and the grip screw.

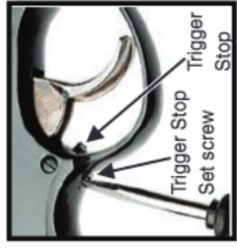


**Trigger Stop**

**! WARNING**

The trigger stop can be extended to a point that prevents the trigger from releasing the hammer to fire the cartridge. This can result in a failure to fire and create a hazardous situation.

To adjust the trigger stop, remove the grip by loosening the single screw on the bottom of the grip and pulling it free from the frame. Loosen the trigger stop set screw. Make sure the gun is unloaded, point the muzzle in a safe direction and cock the hammer back. This will bring the trigger to the single-action stop position. Using a needle-nose plier, gently move the trigger stop in or out to the desired position. Allow adequate travel for the trigger to release the hammer and fire the cartridge. Tighten the set screw and replace the grip and grip screw.



**! WARNING**

Under no circumstances should you attempt to fire the revolver with the grip removed. Attempting to do so may damage your firearm and may result in accidental death or serious injury.

## CARE AND MAINTENANCE



### WARNING

Before cleaning, (1) keep the muzzle pointed in a safe direction, (2) keep your finger off the trigger, (3) depress thumb piece and completely swing out the cylinder, (4) ensure the firearm is completely unloaded by looking and feeling each chamber.

1. The firearm may be cleaned and lubricated under normal conditions without the need of any disassembly. Do not disassemble the barrel.
2. In special conditions, such as repairs, when disassembly is necessary, it is recommended the firearm be returned to the factory or sent to a qualified gunsmith or to the importer.
3. In order to keep a gun in perfect condition it must be kept clean and covered with a slight film of good quality oil to prevent corrosion. This is especially necessary after use.
4. For normal cleaning of firearm not used or kept in storage for some time, it is necessary to rub it with a lightly oiled cloth. In the same way proceed with the bore of the barrel. The barrel should be clean and left free of debris. The excess oil must be removed, but a thin protecting film should remain. Also the dust should be removed from all crevices with a small, clean brush.
5. For cleaning after shooting, it is of special importance that all residues of powder be removed from barrel and other adjacent areas subject to such deposits, using an appropriate brush. If particles of lead are detected in barrel they must be scrubbed with a brass brush, drenched with oil. Once cleaned, lubrication should be done as above described. When shooting more than 200 rounds in a row, your firearm should be cleaned before further shooting.
6. Do not keep handguns in contact with materials that attract moisture or possess a certain degree of acidity, or in environments with great variation of temperature or of humidity. Avoid the use of holsters of cloth or of any other material that can retain moisture.
7. If the firearm is to be stored for a long period of time, extreme care should be taken with metal surfaces, in order to protect them against corrosion.

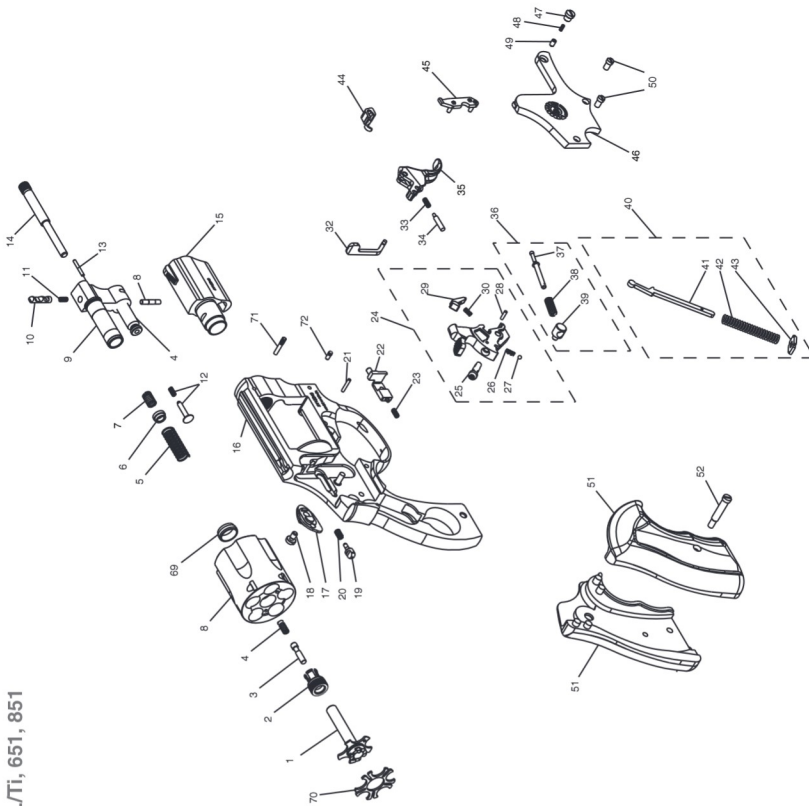
## TAURUS TOTAL TITANIUM AND ULTRALITE TITANIUM MODELS

These special instructions are necessary because of the way the revolver is manufactured and assembled.

1. The revolver's barrel has an internal stainless steel liner which is mounted in and surrounded by a titanium shroud. Because of this, the normal procedure of disassembling the barrel from the frame will either damage the frame and/or the barrel. Therefore, do not try to unscrew the barrel from the frame. In the event that service is required, return your revolver to our Customer Service Department.
  2. Normal care and cleaning procedures can be used on Titanium revolvers but under no circumstances should you use any abrasive material to clean the front face of the cylinder, or any other part of the revolver, as the use of such an abrasive material can remove the finish on the cylinder, which is a protective layer, and this can greatly reduce the service life of the cylinder and the revolver.
  3. These Taurus Titanium revolvers are designed to withstand the regular use of +P jacketed ammunition. However, we do not recommend that you utilize +P lead bullet ammunition as the typically light crimp on the lead bullets could cause some of them to unseat from the case, moving forward in the chamber, and possibly blocking the cylinder's rotation.
- If you have any questions concerning the care, cleaning and use of your Taurus Titanium revolver, do not hesitate to contact Taurus Customer Service at (305)624-1115.

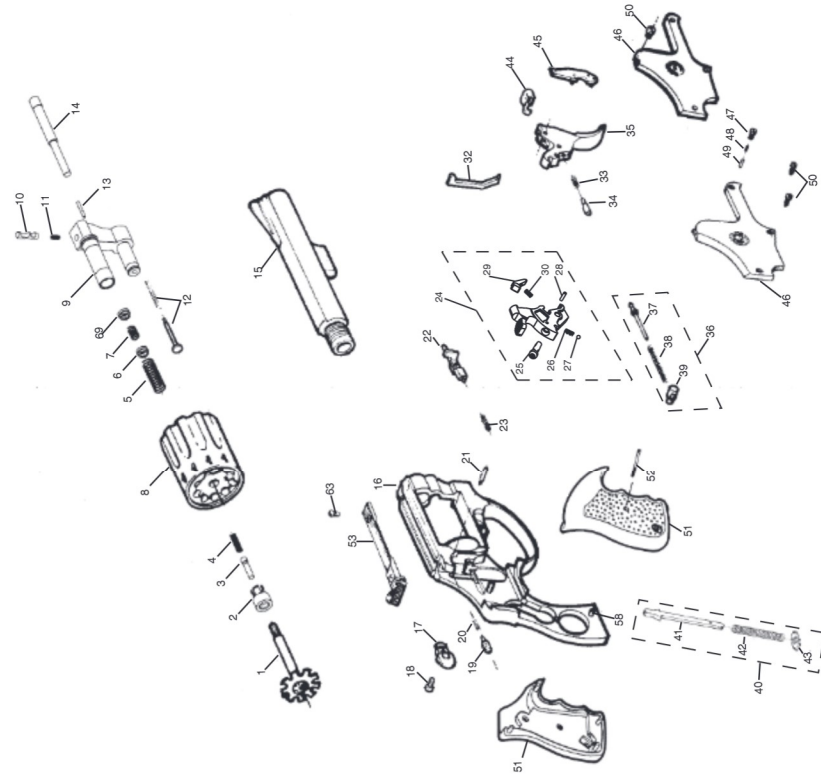
## EXPLODED VIEW

Models: 17C, 17 C UL, 410 PD, 605, 905, 73, 731 UL, 85 RB, 85 85ti, 85 UL, 85 UL/Ti, 650, 850, 850 UL/Ti, 651, 851



## EXPLODED VIEW

Models: 327, 380 UL, 851 UL/Ti, 94, 941, 94 UL, 941 UL

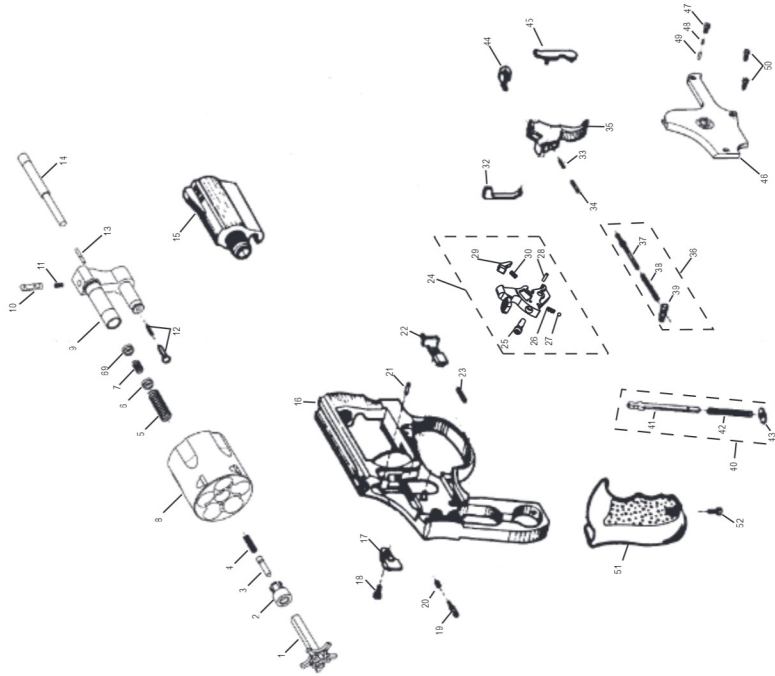


**42** Always keep the muzzle pointed in a safe direction and finger off the trigger.

Always keep the muzzle pointed in a safe direction and finger off the trigger. **43**

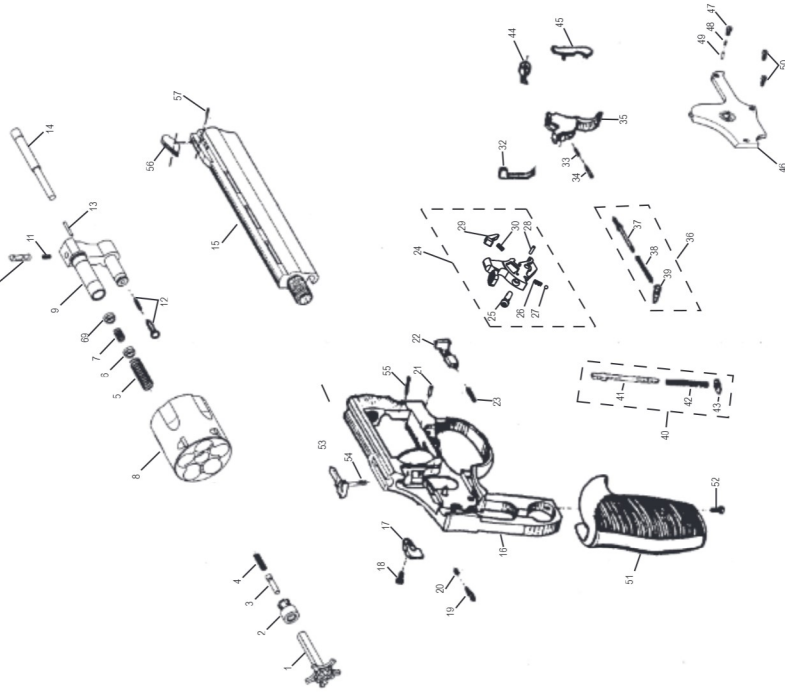
## EXPLODED VIEW

Models: 410 UL, 413, 405, 415, 415 Ti, 445 UL, 450, 450 (Ti/UL), 617, 617 Ti, 817 UL



## EXPLODED VIEW

Models: 17, 44 C, 425, 425 Ti, 455, 460, 590, 627, 627 Ti, 970, 971, 990, 991

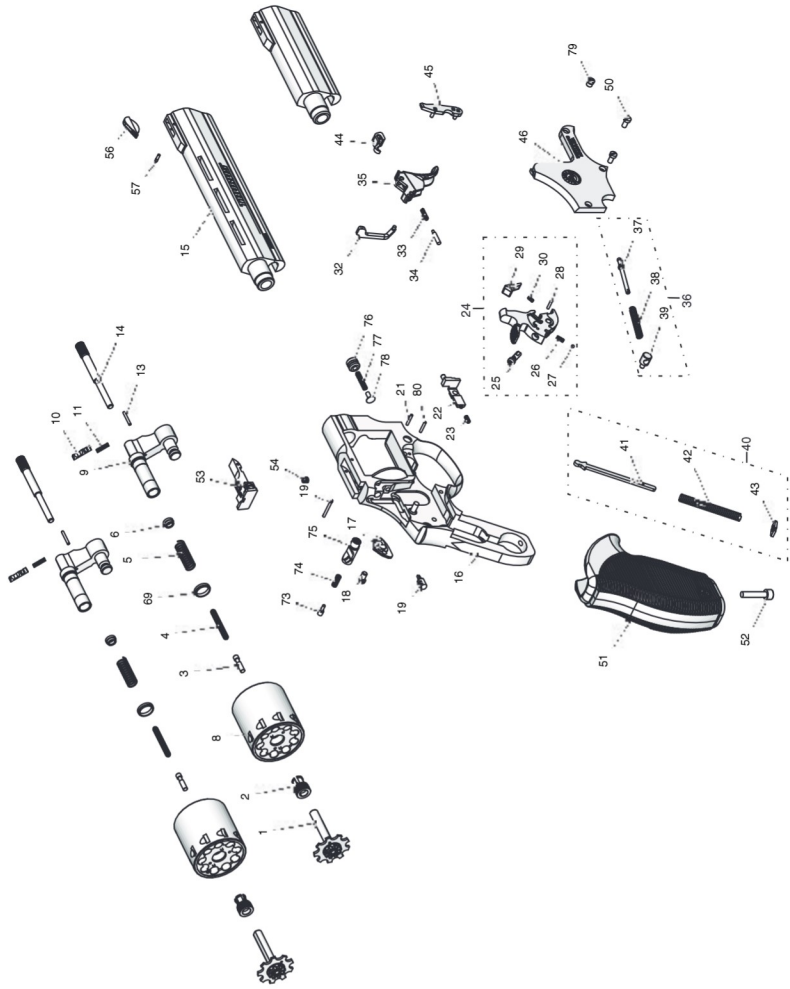


**4.4** Always keep the muzzle pointed in a safe direction and finger off the trigger.

Always keep the muzzle pointed in a safe direction and finger off the trigger. **4.5**

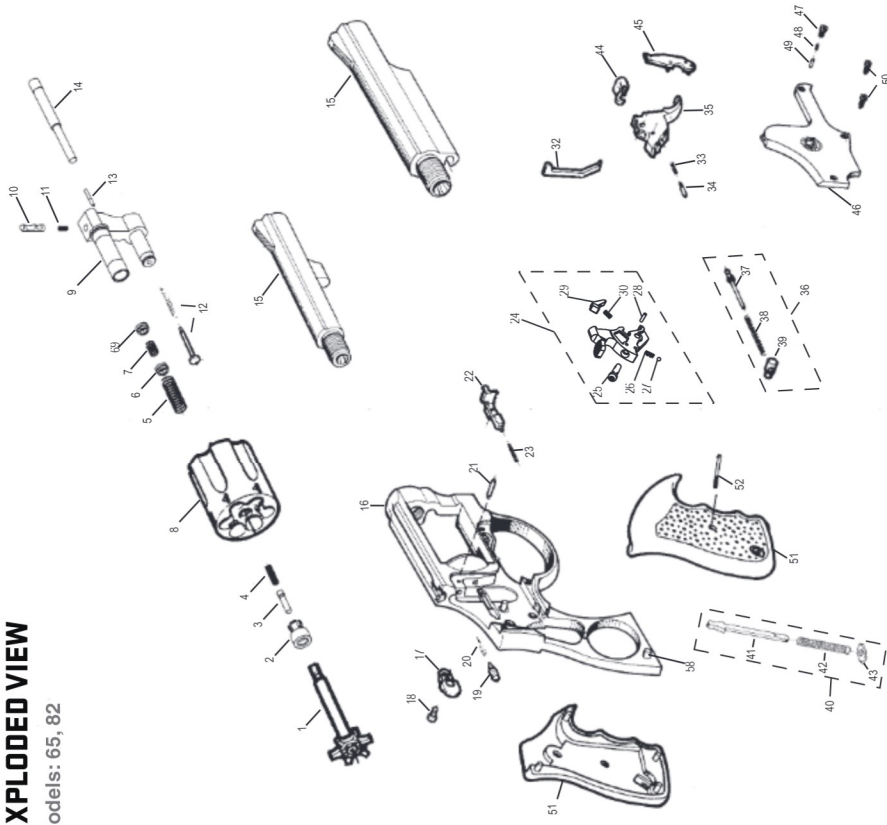
# EXPLODED VIEW

Model: 992



# EXPLODED VIEW

Models: 65, 82



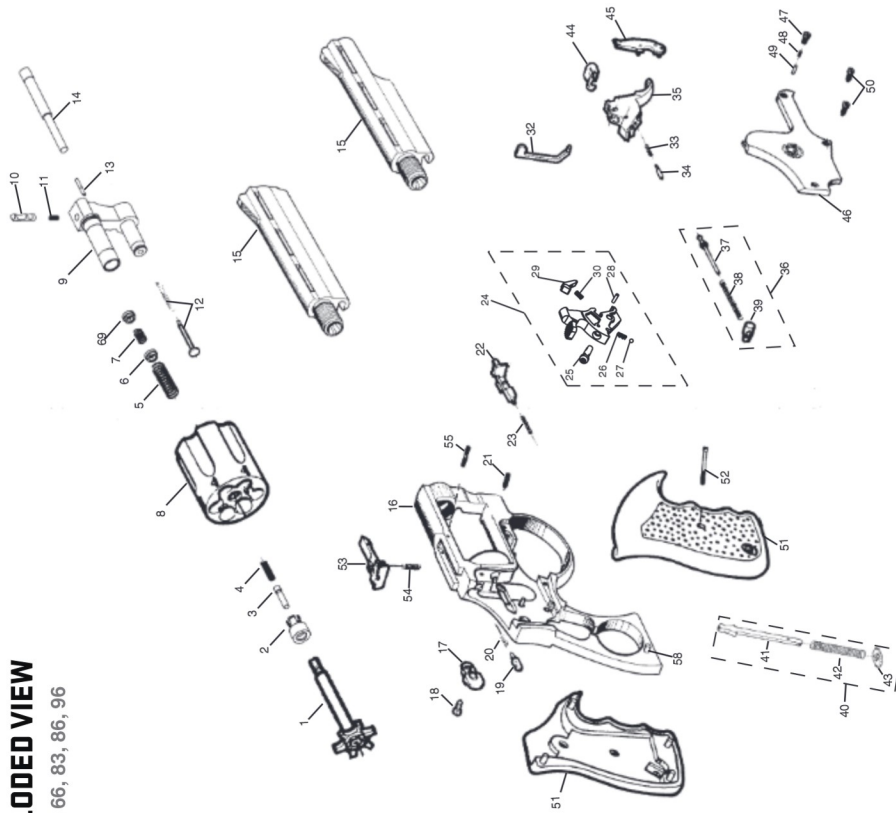
**46** Always keep the muzzle pointed in a safe direction and finger off the trigger.

Always keep the muzzle pointed in a safe direction and finger off the trigger. **47**



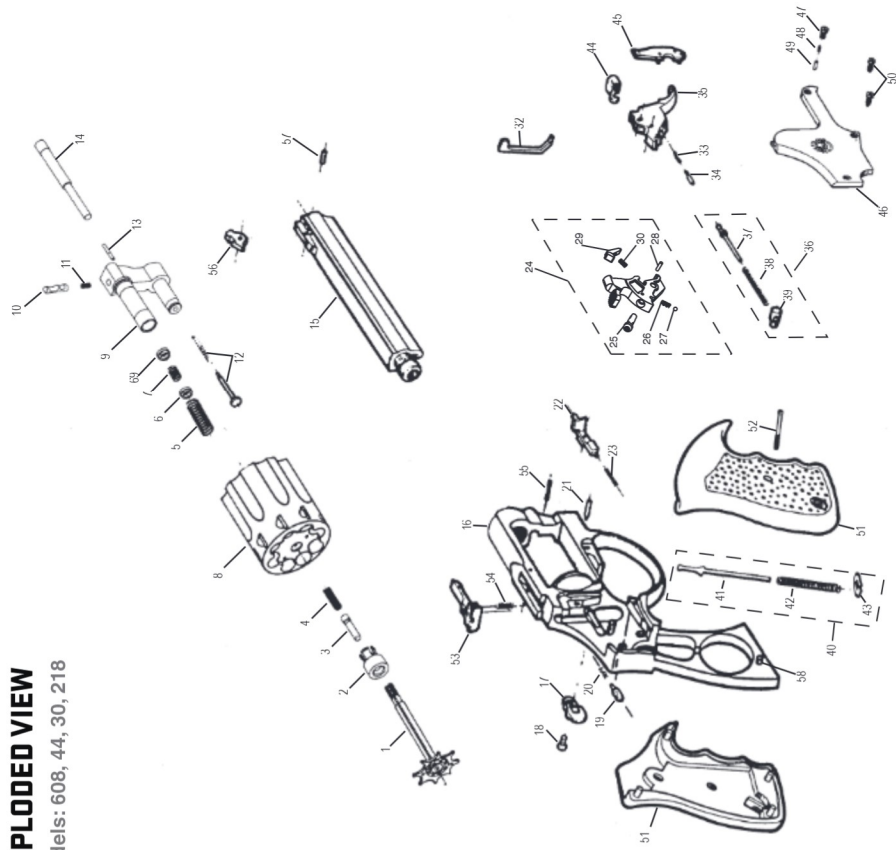
### EXPLODED VIEW

Model: 66, 83, 86, 96



### EXPLODED VIEW

Models: 608, 44, 30, 218

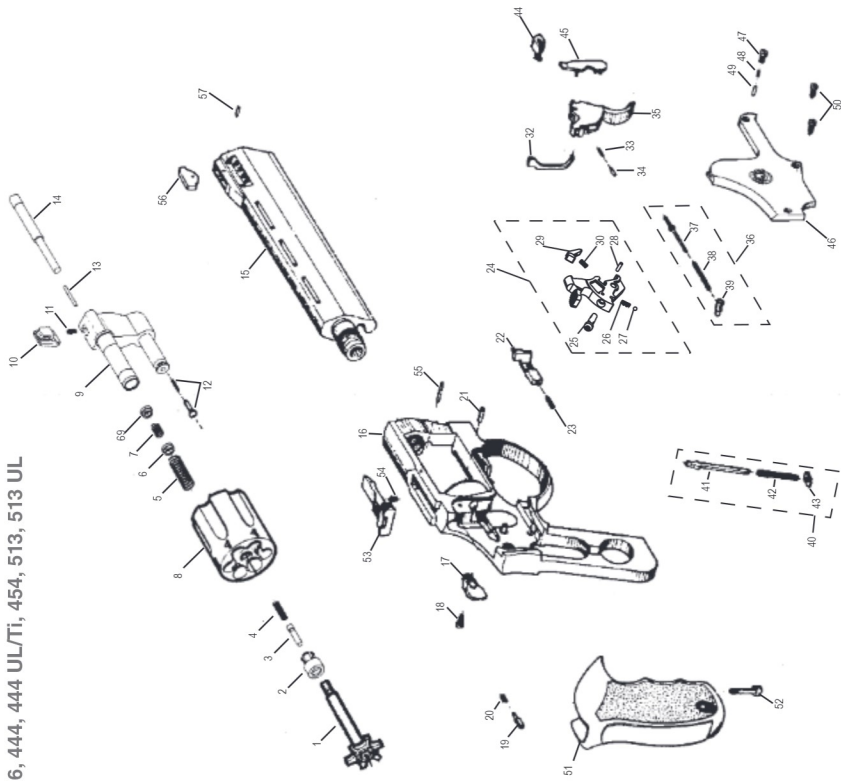


**48** Always keep the muzzle pointed in a safe direction and finger off the trigger.

Always keep the muzzle pointed in a safe direction and finger off the trigger. **49**

## EXPLODED VIEW

Model: 416, 444, 444 UL/TI, 454, 513, 513 UL



## PART LIST

1 EXTRACTOR	35 TRIGGER ASSEMBLY	77 CYLINDER STOP SPRING
2 CYLINDER RETAINING BUSHING	36 TRIGGER SPRING ASSY	78 CYLINDER STOP SPRING PIN
3 CENTER PIN	37 TRIGGER SPRING CENTER PIN	79 SIDE PLATE SCREW FRONT
4 CENTER PIN SPRING	38 TRIGGER SPRING	80 CYLINDER STOP SPRING
5 EXTRACTOR SPRING	39 TRIGGER SPRING SWIVEL	BUSHING PIN
6 EXTRACTOR ROD COLLAR	40 MAIN SPRING ASSEMBLY	
7 EXTRACTOR ROD SPRING	41 MAIN SPRING CENTER PIN	
8 CYLINDER	42 MAIN SPRING	
9 YOKE	43 MAIN SPRING PLATE	
10 FRONT LATCH	44 CYLINDER STOP	
11 FRONT LATCH SPRING	45 HAND	
12 CYLINDER STOP PLUNGER WITH SPRING	46 SIDE PLATE	
13 FRONT LATCH PIN	47 YOKE SCREW	
14 EXTRACTOR ROD	48 YOKE RETAINING PIN SPRING	
15 BARREL	49 YOKE RETAINING PIN	
16 FRAME	50 SIDE PLATE SCREW	
17 THUMB PIECE	51 RUBBER GRIP	
18 THUMB PIECE SCREW	52 GRIP SCREW	
19 FIRING PIN	53 REAR SIGHT ASSEMBLY	
20 FIRING PIN SPRING	54 REAR SIGHT SPRING	
21 FIRING PIN RETAINING PIN	55 REAR SIGHT PIN	
22 BOLT	56 FRONT SIGHT	
23 BOLT SPRING	57 FRONT SIGHT PIN	
24 HAMMER ASSEMBLY	58 STOCK PIN	
25 KEYLOCK	60 FIRING PIN BUSHING	
26 KEYLOCK SPRING	61 CENTER PIN BUSHING	
27 KEYLOCK BALL	63 REAR SIGHT SCREW	
28 KEYLOCK PIN	69 CYLINDER DISTANCE BUSHING	
29 SEAR	70 STELLAR CLIP	
30 SEAR SPRING	71 BARREL RETAINING PIN	
31 SEAR PIN	72 YOKE LOCKING PIN	
32 TRANSFER BAR	73 CYLINDER ASSY CATCH LOCK	
33 HAND SPRING	74 CYLINDER ASSY CATCH SPRING	
34 HAND PIN	75 CYLINDER ASSY CATCH	
	76 CYLINDER STOP SPRING	

**50** Always keep the muzzle pointed in a safe direction and finger off the trigger.

Always keep the muzzle pointed in a safe direction and finger off the trigger. **51**

## TAURUS SERVICE

Should your firearm require adjustment or repair contact our Customer Care department at 800-327-3776. Please follow these suggestions to expedite service in the United States to return any firearm to us for adjustment or repair.

1. Federal law permits you to return your firearm to the manufacturer for service via common carriers. However, state and local firearms laws vary greatly, you should consult your local prosecuting attorney regarding any restrictive laws in your jurisdiction regarding your shipment or receipt of firearms. With the above in mind, it is strongly recommended that any firearm sent to us for repair be sent through a federally licensed dealer.

2. All firearms must be shipped to us prepaid. **WE WILL NOT ACCEPT COLLECT SHIPMENTS.**

3. **Warranty Service:** If your product is covered under the Taurus® Limited Lifetime Warranty (<https://warranty.taurususa.com>) or was manufactured prior to January 1, 2017, you must contact Taurus to receive warranty service. You may contact Taurus by calling 800-327-3776, logging onto <https://taurususa.com>, or in writing: Taurus, Attn: Warranty Service, 100 Taurus Way, Bainbridge, GA 39817. Please include a description of the claimed defect, along with your name, address, telephone number, model and serial number of your firearm, proof of purchase, and date of purchase.

4. **FIREARMS MUST BE SHIPPED UNLOADED.** Double check the chambers of your firearm before shipping. If firearms are sent to Taurus in a loaded condition, we are required by law to notify the Federal authorities.

5. **DO NOT** include telescopic sights, custom grips, holsters, or other accessories with any firearm shipped to us.

## PARTS

Firearms require periodic maintenance, inspection, adjustment and repair. If your revolver has a malfunction, be safe. Stop firing, “clear” and unload the revolver and take it to a qualified gunsmith. Before shooting it again, contact our Customer Care department if you have any questions.

If water, sand, or other foreign matter gets in your revolver, field strip it (see pages 30-32) and thoroughly clean it. Failure to keep your firearm clean and in proper working order can be dangerous.

Our Customer Care department maintains a full stock of replacement parts for current Taurus firearms. Even though most gunsmiths have the knowledge, training and ability to make the necessary repairs to your firearm, the skill and workmanship of any particular gunsmith is totally beyond our control. Should your firearm require service, return it to our Customer Care department.

Remember, unauthorized adjustments or parts replacement can void your warranty. If you choose to have someone else do the required work, the purchaser and/or installer of parts must accept full responsibility for the correct adjustment and function of the firearm.



**Disclaimer and Limitation of Remedy.  
ANY IMPLIED WARRANTIES OF MERCHANTABILITY IMPARTED BY STATE LAW WILL BE LIMITED TO ONE (1) YEAR.**

Some States do not allow limitations on how long an implied warranty lasts, so the above-limitation may not apply to you.

**ANY AND ALL INCIDENTAL AND CONSEQUENTIAL DAMAGES ARE EXPRESSLY DISCLAIMED UNDER ALL CIRCUMSTANCES.**

Some States do not allow the exclusion or limitation of incidental or consequential damages, so the above limitation or exclusion may not apply to you. This **LIMITED LIFETIME WARRANTY** gives you specific legal rights, and you may also have other rights which vary from State to State.

Taurus will not be responsible for:

1. Defects or malfunctions resulting from careless handling, unauthorized adjustments or modifications.
2. Use of defective or improper ammunition, reloaded ammunition, corrosion, neglect, abuse, ordinary wear and tear or unreasonable use.
3. Criminal misuse, negligence or use under the influence of drugs or alcohol.

**How do you obtain warranty service?**

The warranty becomes effective only if activated by the original purchaser within thirty (30) days of the purchase date by registering online at: <https://warranty.taurususa.com> or by calling Taurus at 800-327-3776.

You must contact Taurus to receive warranty service. You may contact Taurus by calling 800-327-3776, logging onto <https://taurususa.com>, or in writing: Taurus, Attn: Warranty Service, 100 Taurus Way, Bainbridge, GA 39817. Please include a description of the claimed defect, along with your name, address, telephone number, model and serial number of your firearm, proof of purchase, and date of purchase.

**TAURUS® LIMITED LIFETIME WARRANTY**

Taurus hereby provides the following **LIMITED LIFETIME WARRANTY**, to the original purchaser of the enclosed Taurus® firearm subject to the terms and conditions set forth below. **THIS IS THE ONLY WARRANTY EXTENDED BY TAURUS COVERING THIS FIREARM.**

**What does the warranty cover and what is its duration?**

Taurus warrants to the original purchaser that the enclosed firearm was made free of defects in material, function, and workmanship. Taurus promises to remedy any defect in material, function or workmanship for the entire time that the original purchaser owns the firearm. This warranty covers the firearm's finish, grips, magazines, sights or accessories for the first year. Any claims of defect related to lasers must be directed to the manufacturer of the laser. This warranty terminates automatically upon the transfer of this firearm to any individual or entity other than the original purchaser.

## **IMPORTANT DO NOT DISCARD**

**KEEP THIS MANUAL WITH THE FIREARM  
UPON CHANGE OF OWNERSHIP.**

### **TAURUS ARMAS, S.A.**

Av. São Borja, 2181 – Prédio A  
São Leopoldo/Fazenda São Borja  
Rio Grande do Sul  
93.035-411  
Brasil

### **TAURUS INTERNATIONAL MANUFACTURING, INC.**

100 Taurus Way  
Bainbridge, GA 39817  
Telephone: 1-800-327-3776

**TAURUSUSA.COM**

**TAURUS.COM.BR**

045-0021-00 Rev. 4

