

MAPP 9MM/22TCM9R PISTOL

USER'S MANUAL



WARNING: READ THE INSTRUCTIONS AND SAFETY PRECAUTIONS IN THIS MANUAL CAREFULLY BEFORE USING THE FIREARM.



ROCK ISLAND ARMORY

USER'S MANUAL MAPP 9MM/22TCM9R PISTOL

SAFETY, INSTRUCTION AND PARTS MANUAL



As a responsible owner of this firearm, you must read the instructions and warnings in this manual carefully. Before using this firearm, make sure you understand thoroughly the contents of this manual.

This manual must always be in the firearm's carrying case whenever the owner/user brings it or when it transfers ownership. A copy of this manual is available upon request from:

*ARMSCOR PRECISION INTERNATIONAL
150 N Smart Way, Pahrump NV 89060
E-mail: support@armscor.com*

TABLE OF CONTENTS

1 Statement of Liability

1 State-By-State Warnings

2 Safety Precautions

HEALTH & SAFETY

3 Tech Specs

4 Basic Parts (MAP/MAPP PISTOLS)
 PARTS CODIFICATION (MAPP FS/ MAPPMS).....4
 PARTS CODIFICATION (MAPP MS 9R HC).....5

ABOUT THE FIREARM

Always Use The Safety 6

How To Load And Fire 7

Ammunition 7

How To Unload 8

Disassembly and Cleaning 8

Care & Maintenance 9

Cleaning & Maintenance 9

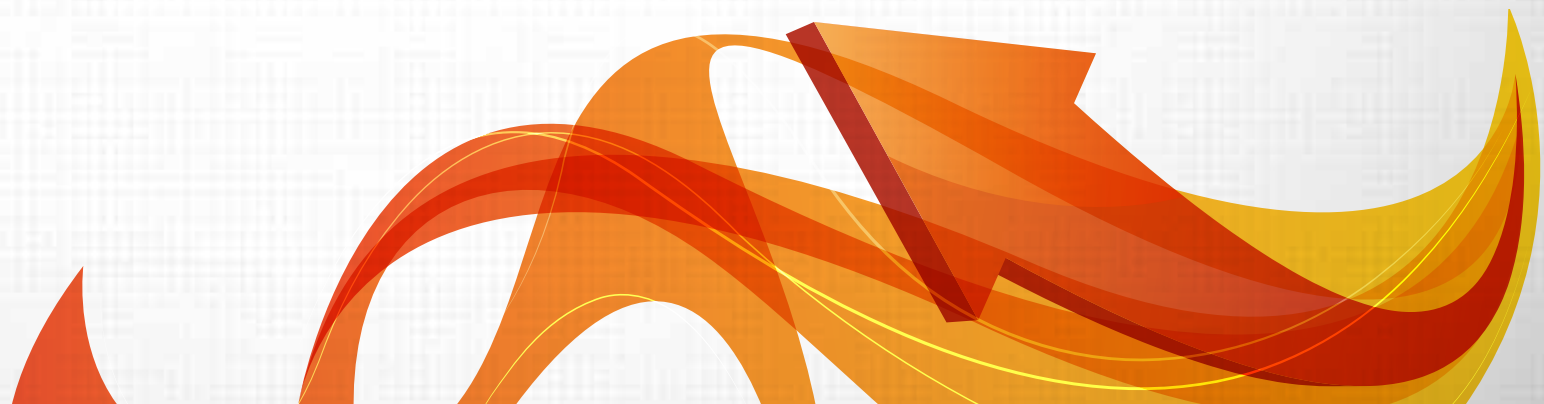
Storage and Transportation 10

Ordering Parts 11

Warranty 12

Notes 13

MAINTENANCE



STATEMENT OF LIABILITY

This pistol is classified as a firearm or dangerous weapon. It is expressly understood that we assume no liability for its resale or unsafe handling under local laws and regulations. Armscor assumes no responsibility for physical injury or property damage resulting from either intentional or accidental discharge, or for the function of the firearm subjected to influence beyond their control. Armscor will honor no claims which may result from careless handling, unauthorized adjustments, defective or improper ammunition, corrosion or neglect. Examine your firearm carefully at the time of purchase. It should be forwarded immediately to the factory or its sales agent if any adjustment of any kind of required.

State-By-State Warnings



CALIFORNIA STATE WARNING

CHILDREN ARE ATTRACTED TO AND CAN OPERATE FIREARMS THAT CAN CAUSE SEVERE INJURIES OR DEATH. PREVENT CHILD ACCESS BY ALWAYS KEEPING FIREARMS LOCKED AWAY AND UNLOADED WHEN NOT IN USE. IF YOU KEEP A LOADED FIREARM WHERE A CHILD OBTAINS AND IMPROPERLY USES IT, YOU MAY BE FINED OR SENT TO PRISON. IT IS UNLAWFUL TO USE A MAGAZINE WITH A CAPACITY OVER 10 ROUNDS.



MASSACHUSETTS STATE WARNING

IT IS UNLAWFUL TO CARRY ANY MAGAZINE OR BELT WHICH HOLDS MORE THAN TEN ROUNDS, UNLESS AUTHORITY IS GRANTED BY THE BOSTON POLICE COMMISSIONER. IT IS UNLAWFUL TO STORE OR KEEP A FIREARM, RIFLE, SHOTGUN OR MACHINE GUN IN ANY PLACE UNLESS THAT WEAPON IS EQUIPPED WITH A TAMPER RESISTANT SAFETY DEVICE OR IS STORED OR KEPT IN A SECURELY LOCKED CONTAINER.



NEW YORK STATE WARNING

IT IS UNLAWFUL TO CARRY ANY MAGAZINE OR BELT WHICH HOLDS MORE THAN SEVEN ROUNDS, UNLESS AUTHORITY IS GRANTED BY THE STATE OF NEW YORK. THE USE OF A LOCKING DEVICE OR SAFETY LOCK IS ONLY ONE ASPECT OF RESPONSIBLE FIREARMS STORAGE FOR INCREASED SAFETY, FIREARMS SHOULD BE STORED UNLOADED AND LOCKED IN A LOCATION THAT IS BOTH SEPARATED FROM THEIR AMMUNITION AND INACCESSIBLE TO CHILDREN AND OTHER UNAUTHORIZED PERSONS.

02 | SAFETY PRECAUTIONS

Safety must be the first and constant consideration of every person who handles firearms and ammunition. The person with a firearm in his possession has an important responsibility. He/she must know how to use his/her firearm safely:

1. Always keep the firearm holstered except when drawn for a definite purpose.
2. Always check the firearm for live ammunition when picked up, drawn from the holster, handed to, or received from another person.
3. Never point the firearm at anything you do not intend to shoot.
4. Never cock the hammer of the firearm unless you are ready to immediately shoot it. Do not even insert your finger in the trigger guard until you are ready to shoot.
5. Avoid dry firing even with dummy cartridges, unless the same is performed on a regular target range or at a known inanimate target.
6. When holding the firearm that is ready to fire, be absolutely certain that it is not pointed at any part of your body or at any person within your immediate vicinity.
7. Beware of obstructions in barrel. If, when firing, a weak or peculiar report is heard, cease firing and inspect the barrel for an obstruction. Remove magazine then check to insure there is no obstruction in barrel or chamber.
8. When a misfire or a "dud" is experienced keep the pistol pointed at the target for at least ten seconds before inspecting the firearm; a delayed firing may occur.
9. Remove magazine and pull slide back and engage to slide lock physically and visually confirmed chamber is empty.
10. When possible, wear shooting glasses and hearing protectors when firing.
11. Do not shoot at a hard surface, or water for the bullet can glance off and travel in unpredictable directions with considerable velocity.
12. Avoid drinking alcoholic beverages when handling the firearm.

WARNING:

DO NOT ATTEMPT TO USE ANY FIREARM WITHOUT HAVING A COMPLETE UNDERSTANDING OF ITS PARTICULAR CHARACTERISTICS AND SAFE USE.

WARNING:

YOU SHOULD NEVER DEPEND ON A SAFETY MECHANISM OR ANY OTHER MECHANICAL DEVICE TO JUSTIFY CARELESS AND IMPROPER HANDLING.

WARNING:

THIS FIREARM WAS MANUFACTURED TO PERFORM PROPERLY WITH THE ORIGINAL PARTS AS DESIGNED. PLEASE MAKE SURE ANY PARTS YOU BUY ARE INSTALLED CORRECTLY AND THAT NEITHER REPLACEMENTS NOR ORIGINALS ARE ALTERED OR CHANGED. PUTTING A FIREARM TOGETHER INCORRECTLY OR WITH MODIFIED PARTS CAN RESULT IN DAMAGED FIREARM, DANGER, AND INJURY OR DEATH. ANY MODIFICATIONS TO FIREARM WILL VOID FACTORY WARRANTY.

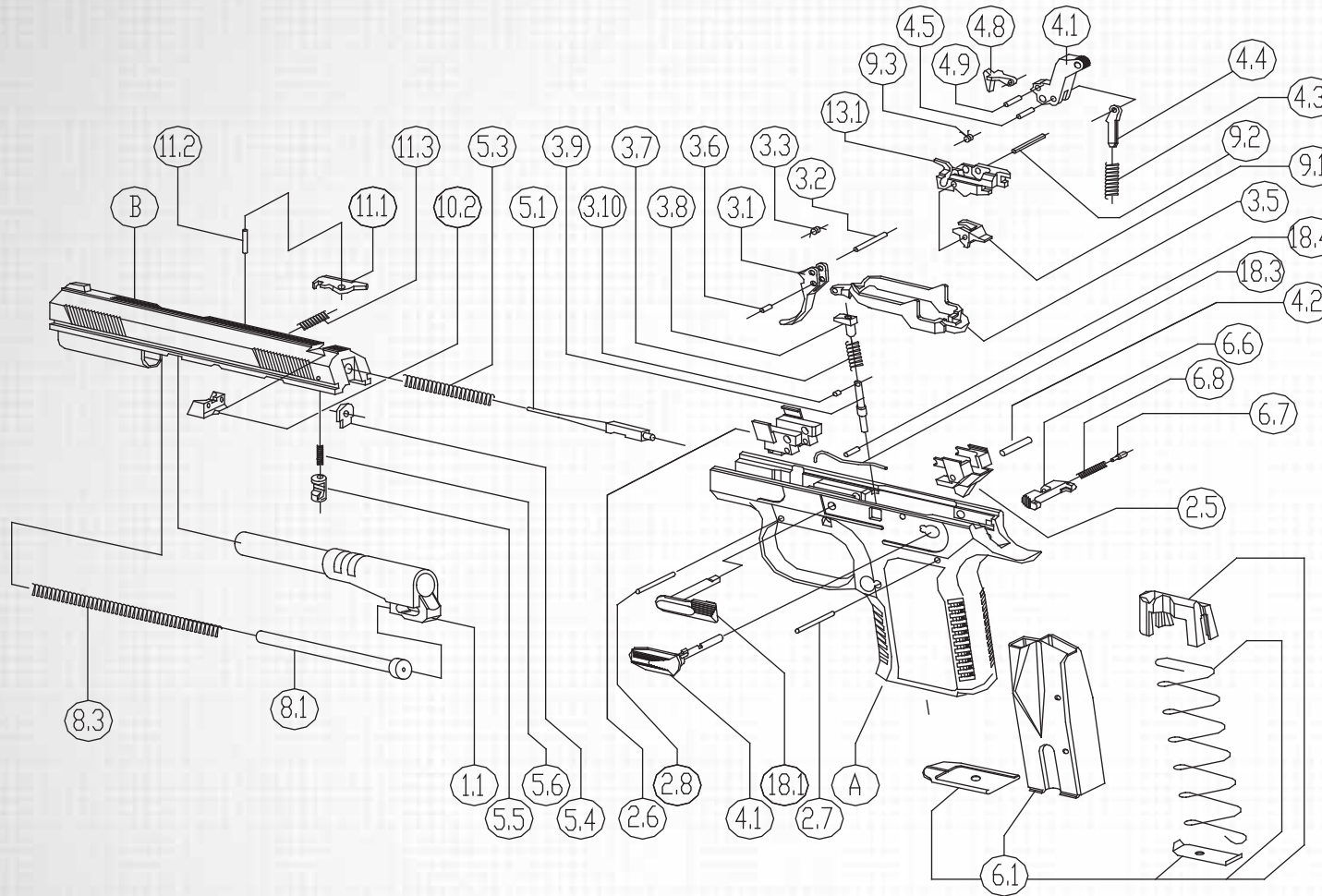
03 | TECH SPECS

Model	MAPP FS	MAPP MS	MAPP MS 9R HC
Caliber	9MM		22TCM9R
Action	Semi-Auto, Recoil Operated		
Magazine Capacity	10/16 Rounds		16 Rounds
Overall Width	38 mm.		
Overall Height	140 mm.		135 mm.
Overall Length	210 mm.		190 mm.
Barrel Length	117mm		93mm
Weight Empty (Approx.)	.85kg / 1.87lbs		.75kg / 1.65lbs
Front Sight	Integrated		
Rear Sight	Police Standard Snag Free		LPA MPS2 Adjustable Sight
Trigger Pull Double Action	6.5kg - 7.25kg / 14.33lbs -15.98lbs		
Trigger Pull Single Action	1.81kg - 3.17kg / 3.99lbs - 6.98lbs		
Rifling Twist	Right Hand Twist, 1 Turn in 400mm (16")		
No. of Grooves	6		
Finish	Parkerized		
Stock	Polymer		

Notes:
Specification is subject to change without prior notice.

04 | BASIC PARTS

MAPP FS/ MAPP MS



PARTS CODIFICATION

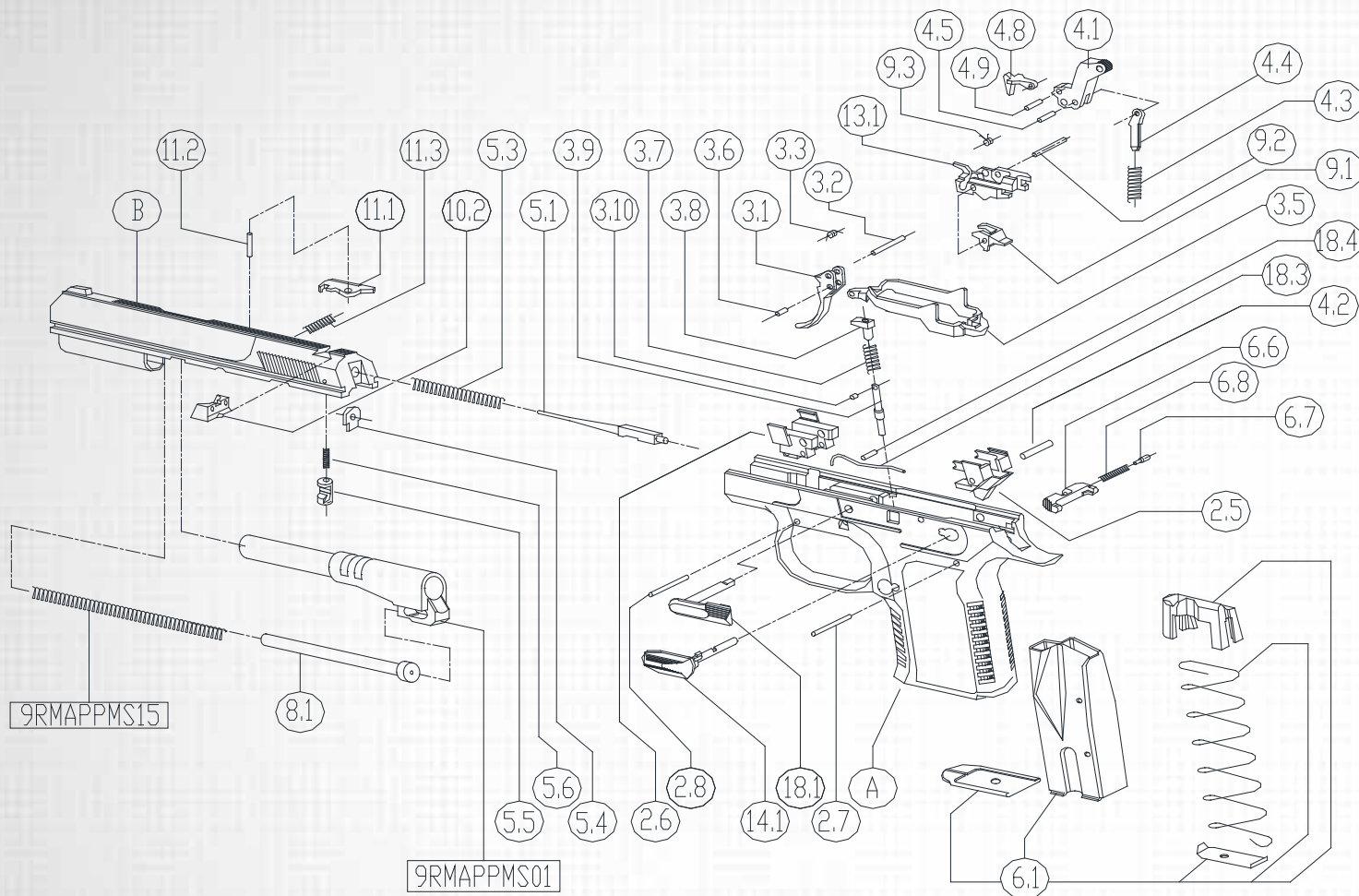
- | | |
|------------------------------|--------------------------------|
| 1.1 Barrel | 6.1 Magazine |
| 2.5 Rear Insert | 6.6 Magazine Catch |
| 2.6 Front Insert | 6.7 Magazine Catch Plunger |
| 2.7 Rear Insert Pin | 6.8 Magazine Catch Spring |
| 2.8 Front Insert Pin | 8.1 Recoil Spring Guide |
| 3.1 Trigger | 8.3 Recoil Spring |
| 3.2 Trigger Pin | 9.1 Sear |
| 3.3 Trigger Spring | 9.2 Sear Pin |
| 3.5 Trigger Bar | 9.3 Sear Spring |
| 3.6 Trigger Bar Pin | 10.2 Rear Sight |
| 3.7 Trigger Bar Spring Pin | 11.1 Extractor |
| 3.8 Trigger Bar Guide | 11.2 Extractor Pin |
| 3.9 Trigger Bar Plunger | 11.3 Extractor Spring |
| 3.10 Trigger Bar Plunger Pin | 13.1 Sear Housing |
| 4.1 Hammer | 14.1 Safety |
| 4.2 Hammer Pin | 18.1 Slide Stop Pin |
| 4.3 Hammer Spring | 18.3 Slide Stop Pin Spring |
| 4.4 Hammer Strut | 18.4 Slide Stop Pin Spring Pin |
| 4.5 Hammer Strut Pin | |
| 4.8 Interruptor | |
| 4.9 Interruptor Pin | |
| 5.1 Firing Pin | A. Frame |
| 5.3 Firing Pin Spring | B. Slide |
| 5.4 Firing Pin Retainer | |
| 5.5 Firing Pin Safety | |
| 5.6 Firing Pin Safety Spring | |

WARNING:

THIS GUN WAS MANUFACTURED TO PERFORM PROPERLY WITH THE ORIGINAL PARTS AS DESIGNED. PLEASE MAKE SURE ANY PARTS YOU BUY ARE INSTALLED CORRECTLY AND THAT NEITHER REPLACEMENTS NOR ORIGINALS ARE ALTERED OR CHANGED. YOUR GUN IS A COMPLEX TOOL WITH MANY PARTS THAT MUST RELATE CORRECTLY TO OTHER PARTS. PUTTING A GUN TOGETHER INCORRECTLY OR WITH MODIFIED PARTS CAN RESULT IN A DAMAGED GUN, DANGER, AND INJURY OR DEATH TO YOU AND OTHERS THROUGH MALFUNCTION. ALWAYS LET A QUALIFIED GUNSMITH WORK ON YOUR GUN OR AT LEAST CHECK ANY WORK NOT PERFORMED BY A GUNSMITH. WE THINK THIS IS A SMALL PRICE TO PAY FOR FIREARMS SAFETY.

05 | BASIC PARTS

MAPP MS 9R HC



PARTS CODIFICATION

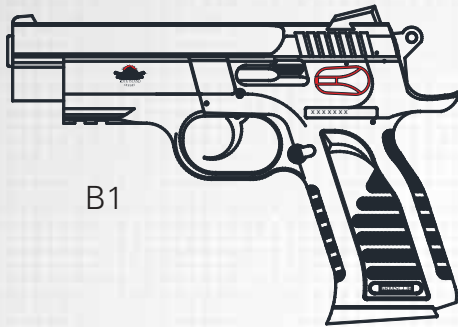
9RMAPPMS01 Barrel	6.8 Magazine Catch Spring
2.5 Rear Insert	8.1 Recoil Spring Guide
2.6 Front Insert	9RMAPPMS15 Recoil Spring
2.7 Rear Insert Pin	
	9.1 Sear
3.1 Trigger	9.2 Sear Pin
3.2 Trigger Pin	9.3 Sear Spring
3.3 Trigger Spring	
3.5 Trigger Bar	10.2 Sear Sight
3.6 Trigger Bar Pin	
3.7 Trigger Bar Spring	11.1 Extractor
3.8 Trigger Bar Guide	11.2 Extractor Pin
3.9 Trigger Bar Pluger	11.3 Extractor Spring
3.10 Trigger Bar Plunger Pin	13.1 Sear Housing
4.1 Hammer	14.1 Safety
4.2 Hammer Pin	
4.3 Hammer Spring	18.1 Slide Stop Pin
4.4 Hammer Strut	18.3 Slide Stop Pin Spring
4.5 Hammer Strut Pin	18.4 Slide Stop Pin Spring Pin
4.8 Interruptor	
4.9 Interruptor Pin	
	A. Frame
5.1 Firing Pin	
5.3 Firing Pin Spring	B. Slide
5.5 Firing Pin Safety	
5.6 Firing Pin Safety Spring	
6.1 Magazine	
6.6 Magazine Catch	
6.7 Magazine Catch Plunger	

WARNING:

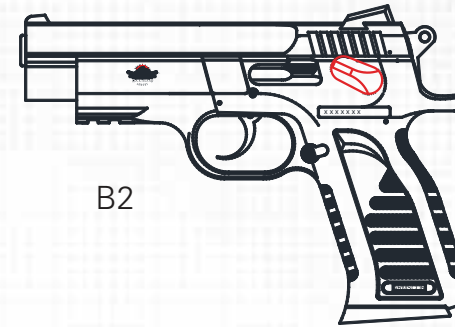
THIS GUN WAS MANUFACTURED TO PERFORM PROPERLY WITH THE ORIGINAL PARTS AS DESIGNED. PLEASE MAKE SURE ANY PARTS YOU BUY ARE INSTALLED CORRECTLY AND THAT NEITHER REPLACEMENTS NOR ORIGINALS ARE ALTERED OR CHANGED. YOUR GUN IS A COMPLEX TOOL WITH MANY PARTS THAT MUST RELATE CORRECTLY TO OTHER PARTS. PUTTING A GUN TOGETHER INCORRECTLY OR WITH MODIFIED PARTS CAN RESULT IN A DAMAGED GUN, DANGER, AND INJURY OR DEATH TO YOU AND OTHERS THROUGH MALFUNCTION. ALWAYS LET A QUALIFIED GUNSMITH WORK ON YOUR GUN OR AT LEAST CHECK ANY WORK NOT PERFORMED BY A GUNSMITH. WE THINK THIS IS A SMALL PRICE TO PAY FOR FIREARMS SAFETY.

06 | MAINTENANCE

1. ALWAYS USE THE SAFETY



OFF SAFE
The safety is "off safe" when you can see the red dot and the lever is pointing forward.



ON SAFE
To put the pistol "on safe" push the safety lever up so it covers the red dot.

The safety can be operated with the hammer cocked or uncocked and with the pistol loaded or unloaded. There is no magazine safety, so the pistol may be fired with the magazine removed.

All guns can be dangerous if improperly used. Keep the pistol "on safe" all the time, except at the actual moment of firing, to help protect against accidental firing and possible injury or death to yourself or others.

Your safety DOES:

- Lock the sear lever so the trigger cannot be pulled and the hammer falls. If hammer is back and safety is on, you can move the slide to safety check the chamber.

But your safety DOES NOT:

- Take the place of safe gun handling.
- Lessen your duty to use the pistol with great care.
- Provide foolproof protection against firing.

There is also an automatic internal firing pin block which stops the firing pin from traveling forward. The block is released only by pulling the trigger all the way to the rear, as in firing shot.

LOWERING THE HAMMER

EXTREME CAUTION REQUIRED! Both the manual safety and automatic internal firing pin block are "OFF SAFE" when you do this. THE PISTOL CAN FIRE IF YOU DO IT INCORRECTLY.

Point the pistol in a safe direction. Move the safety to the "OFF SAFE" position. Grasp the hammer very firmly and put a finger between the hammer and the firing pin. Then pull the trigger and slowly let the hammer move forward past the half-cock point. **RELEASE THE TRIGGER.** Then gently let the hammer down against the rear of the slide.

PUT THE MANUAL SAFETY "ON SAFE"

07 | MAINTENANCE

2. HOW TO LOAD AND FIRE



TO LOAD THE CHAMBER BE SURE YOUR FINGER IS OUT OF THE TRIGGER GUARD AND OFF THE TRIGGER.

While holding the pistol grip, grasp the serration as far back as possible on the slide and pull the slide rearward until it cannot travel any further. Release the slide and allow it to go forward into the closed position. It will automatically take a cartridge from the magazine and load it into the chamber (Make sure your fingers or hand is not in front of the barrel).



WARNING

*YOUR PISTOL IS LOADED AND READY TO FIRE!
PUSH THE SAFETY UP TO "ON SAFE" IMMEDIATELY!*

TO FIRE, PUT THE SAFETY DOWN (EXPOSING THE RED DOT) AND SQUEEZE THE TRIGGER. THE PISTOL WILL FIRE ONE SHOT WITH EVERY SQUEEZE OF THE TRIGGER UNTIL THE MAGAZINE IS EMPTY. WHEN THE MAGAZINE IS EMPTY THE SLIDE WILL STAY OPEN. YOU MAY REMOVE THE MAGAZINE AND RELOAD IT WHILE THE SLIDE IS OPEN. INSERT THE LOADED MAGAZINE INTO THE PISTOL THEN PRESS DOWN ON THE SLIDE STOP, WHICH LETS THE SLIDE CLOSE AND RELOAD THE CHAMBER OR PULL BACK SLIGHTLY ON THE SLIDE AND LET IT GO AND THE PISTOL WILL AUTOMATICALLY RELOAD THE CHAMBER AND BE READY TO FIRE.

CHOOSE YOUR TARGET CAREFULLY. BE SURE THERE IS A SAFE BACKSTOP.

THINK! WHAT WILL YOU HIT IF YOU MISS THE TARGET?

AMMUNITION

Because of the dangers of poor or lack of quality control standards among some companies and people who make reloaded ammunition, and the well-known fact that dangerous overloads and underloads (squib loads) sometimes occur, we recommend that only good quality factory ammunition be used in our product. If you prepare your own handloads, do not exceed recommended pressures in line with those generated by standard factory loads as manufactured by reputable companies. Do not use +P Ammo or High Velocity High Pressure Ammunition.

- Press the magazine release button and remove the magazine from the pistol.
- Load the cartridges into the magazine.
- Do not force the cartridge into the magazine! (do not overload)
- Push the magazine up into the pistol firmly until the magazine catch locks it in place (do not slam magazine into place)

08 | MAINTENANCE

3. HOW TO UNLOAD

BE SURE THE SAFETY IS "ON SAFE"

Press the magazine release button and remove the magazine from the pistol.

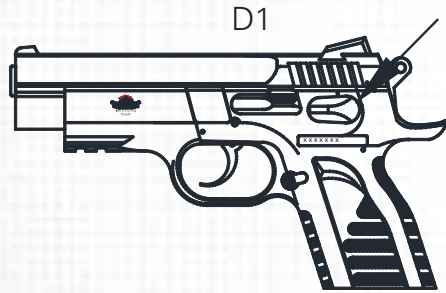
Simply removing the magazine does not unload the chamber. If a cartridge is still in the chamber, the pistol can fire even with the magazine removed.

To unload the chamber, point the pistol in a safe direction, keep your finger OUT of the trigger guard and OFF THE TRIGGER and move the safety to "OFF SAFE." **THE PISTOL CAN NOW FIRE IF YOU PULL THE TRIGGER, SO BE VERY CAREFUL** when you grip the pistol for the next step, be sure your finger is not inside the trigger guard. Pull the slide to the rear to remove any cartridge that may be in the chamber. **Always check the chamber to be sure the pistol is completely unloaded.** The magazine may be unloaded by pressing the cartridges forward and out with the thumb.

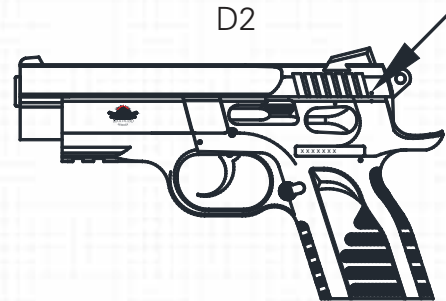
4. DISASSEMBLY AND CLEANING

Remove the magazine and clear the chamber to be sure the pistol is empty.

SLIDE STOP / TAKE DOWN LEVER



TAKE DOWN MARKS



- Field stripping, NO TOOLS. DO NOT pry or hammer on the pistol.
- Pull the hammer back to the full cock position.
- Identify the 2 take down marks behind the safety on the left sides of the slide and frame. Pull the slide back slightly to line up the 2 marks. (HINT. Use the rear sight for handy leverage when lining up the marks).
- Remove the slide stop-takedown lever by pushing on the end sticking out of the right side of the pistol and pulling on the lever with your other hand.
- Slide the barrel/slide assembly forward and off the frame.
- Hold the slide upside down, retract the recoil spring and remove the recoil spring and guide.
- Remove the barrel from the slide.
- NO FURTHER DISASSEMBLY of the pistol is recommended, unless performed by a qualified gunsmith. Remember that work done by others and unauthorized gunsmithing by non-factory personnel will void the warranty.
- To reassemble simply reverse this procedure.

09 | MAINTENANCE

CARE AND MAINTENANCE

hWith proper care, your MAP/MAPP PISTOL will provide you with years of dependable service. It should be inspected, cleaned and oiled periodically to ensure that it remains in good condition and functions safely and reliably. Under normal cleaning purposes, field stripping or dismounting of the slide and barrel assembly is sufficient.

CLEANING AND MAINTENANCE

1. Materials needed to clean this pistol are a pistol cleaning rod, cotton bore patches, brass bore brush, powder solvent, toothbrush and good quality gun oil.
2. Field strip the pistol as discussed in the instructions.
3. Using the bore brush with powder solvent, scrub the barrel bore and chamber to remove any powder and lead residue. After brushing, swab the bore with cotton patches soaked in solvent, then use a cotton patch with gun oil to coat and protect the bore from rust and corrosion.
4. Any powder fowling on the receiver or breech face of the slide can be easily cleaned with a toothbrush and powder solvent.
5. All external surfaces should be wiped down with a light coat of rust inhibitor. Avoid using too much oil as dust and debris can get trapped in the oil creating a gum that in time will cause misfires
6. Avoid prolonged contact of the blue steel parts with the powder solvent. Be sure to wipe away all excess solvent. Under certain conditions, powder solvent can dissolve blueing.



SCAN QR

SEE FULL VIDEO TUTORIALS ON OUR
WEBSITE

Notes:

If you have a Stainless Steel Model, you must oil and maintain it as if it were Blued Steel.

STORAGE AND TRANSPORTATION

When storing the firearm and ammunition, store in separate locations, store ammo in a cool, dry location.

When storing the gun for a prolonged period of time, It is necessary to oil it heavily with an acid-free lubricant. The external parts must be coated with an anti-rust oil or grease to prevent moisture causing the parts to rust and malfunction. Before usage, the pistol must be cleaned and wiped dry again as discussed previously.

WARNING:

CHILDREN ARE ATTRACTED TO AND CAN OPERATE FIREARMS THAT CAN CAUSE SEVERE INJURIES OR DEATH. PREVENT CHILD ACCESS BY ALWAYS KEEPING FIREARMS LOCKED AWAY AND UNLOADED WHEN NOT IN USE. IF YOU KEEP A LOADED FIREARM WHERE A CHILD OBTAINS AND IMPROPERLY USES IT, YOU MAY BE FINED OR SENT TO PRISON.

WARNING:

THE FIREARM SHOULD BE RE-STORED IN ROOMS WITH A DRY ATMOSPHERE AND WITH THE LEAST HUMIDITY. IT SHOULD NOT BE STORED ENCASED IN LEATHER OR ANYTHING THAT WILL ATTRACT AND HOLD MOISTURE, CAUSING IT TO RUST.

ORDERING PARTS

Visit RIA website to browse, learn more about and purchase parts and ammunition for all of your Rock Island Armory products.

 www.advancedtactical.com



WARRANTY REGISTRATION

Armcor's warranty covers its firearms and parts. We offer limited lifetime warranty on our products for their intended purpose. As with any product, abuse, gunsmithing by an unqualified person and normal wear and tear are excluded. Additionally, if the firearm was modified and/or repaired by an unqualified gunsmith without permission from Armcor, then the warranty will be void. If warranty work should be required, return the firearm to the address listed below. There is no refund for the shipping cost. Gunsmithing services are available by registered Armcor Gunsmithers. Please email the address below.

To register your firearm, please go to www.rockislandarmory.com/support-center/warranty/ and complete online warranty form. In comments section, write warranty registration and press submit. You can also go to www.rockislandarmory.com and press warranty section at the bottom.

For more information on warranty, visit www.rockislandarmory.com, or email support@armcor.com

Armcor Precision International
150 North Smart Way
Pahrump, NV 89060
Email: support@armcor.com

IMPORTANT WARRANTY INFORMATION

Our Rock Island Armory MAPP Pistols are warranted to function only with Factory Brass Cased Ammo and the Original Factory Magazine. Use of Handloads is not covered in Warranty of Repair for the function of the Firearm.

DUE TO THE FIT AND TIGHTNESS OF FIREARM, RIA RECOMMENDS A BREAK-IN PERIOD OF 500 ROUNDS.

THIS IS HOW YOU VOID YOUR WARRANTY

- * Refinishing your RIA firearm
- * Misuse, Mishandling, Dropping your RIA Firearm
- * Firing Remanufactured or Reloaded Ammunition
- * Not properly reassembling your RIA Firearm resulting in damage, ie reverse plugs!
- * Any addition of after market parts
- * Unauthorized repairs done by any other than Rock Island Armory

LIMITS ON WARRANTY (will not cover)

- * Finish, Holster wear, Scratches, Chemical damage
- * After Market Magazines
- * Damage to Factory Magazines
- * Sights not installed by Rock Island Armory
- * Recoil Springs

WE RESERVE THE RIGHT TO CHARGE FOR LABOR, PARTS AND SHIPPING TO RETURN YOUR RIA FIREARM BACK TO FACTORY SPECIFICATIONS IF IT HAS BEEN ALTERED.

NOTES



WWW.ROCKISLANDARMORY.COM

