

RIA TCM PISTOL CAL .22 TCM

USER'S MANUAL



WARNING: READ THE INSTRUCTIONS AND SAFETY PRECAUTIONS IN THIS MANUAL CAREFULLY BEFORE USING THE FIREARM.



ROCK ISLAND ARMORY

USER'S MANUAL RIA TCM PISTOL CAL .22 TCM

SAFETY, INSTRUCTION AND PARTS MANUAL



As a responsible owner of this firearm, you must read the instructions and warnings in this manual carefully. Before using this firearm, make sure you understand thoroughly the contents of this manual.

This manual must always be in the firearm's carrying case whenever the owner/user brings it or when it transfers ownership. A copy of this manual is available upon request from:

*ARMSCOR PRECISION INTERNATIONAL
150 N Smart Way, Pahrump NV 89060
E-mail: support@armscor.com*

TABLE OF CONTENTS

1	Basic Model Description
2	Statement of Liability
2	State-By-State Warnings
3	The Basic Rules Of Safe Firearm Handling
4	Carrying a Loaded 1911 Pistol
4	RIA TCM Mid Size Pistol
5	Safety Precautions
6	Recommended Ammunition

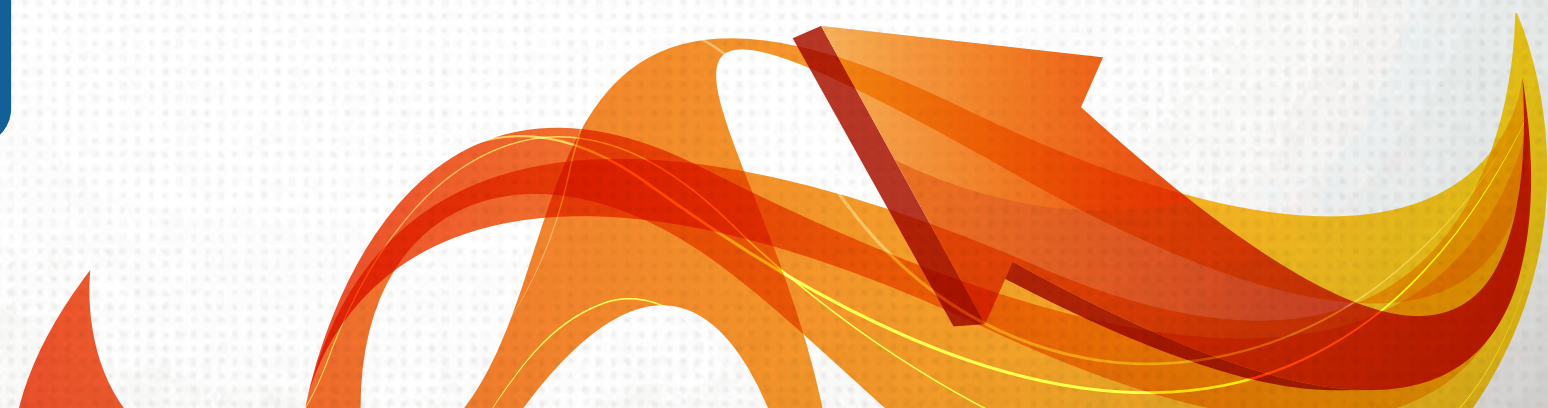
HEALTH & SAFETY

7	Tech Specs
8	Basic Parts (RIA TCM PISTOLS)
	1911 A2 TCM ORIGINAL SERIES.....8- 9
	1911 A1 TACT II SERIES.....10-11
	1911 A1 TACT TS SERIES.....12-13
	1911 A2 TACT TS SERIES.....14-15
16	Exploded Views
	TCM ROCK STANDARD FS HIGH CAP.....16
	TCM ROCK TARGET FS HIGH CAP.....17
	TCM ROCK ULTRA FS.....18
	TCM TAC ULTRA FS.....19
	TCM TAC ULTRA FS HIGH CAP.....20

ABOUT THE FIREARM

Operating Instructions	21
Basic Disassembly and Reassembly	22-23
Care and Maintenance	24
Maintenance and Break-In	25
Storage and Transportation	26
Ordering Parts	27
Warranty	28
Notes	29

MAINTENANCE



01 | STATEMENT OF LIABILITY

BASIC MODEL DESCRIPTION

The TCM pistol is built on a 1911 platform design and is chambered to handle the newly developed .22TCM cartridge. Other than this, there is actually no fundamental difference in the basic design and principle of operation between this and the original 1911 models.

The RIA TCM PISTOL is available in the full size (FS) and midsize (MS) 1911A1 and 1911A2 models. Later developed models use a full-length frame featuring a picatinny type rail on the dust cover for mounting of accessories.

(Note: For information on the MS model, see RIA TCM MIDSIZE PISTOL in this manual).

The TCM high capacity pistol utilizes a frame with a widened grip contour to accommodate a double column magazine with a capacity of 17 rounds arranged in staggered configuration. Like the TCM standard-magazine pistol, its design combines the best accepted principles of strength, safety, accuracy, mechanical reliability and ease of handling to meet the most exacting standards of shooting – combat, defense or competition.

All parts are made of high grade ordnance steel and heat-treated for strength and durability, precisely machined and heat treated to provide accuracy, toughness and rigidity.

The pistol uses a forged barrel and a frame and other action parts by precision investment casting, and CNC-machined to equally consistent dimensions to ensure mechanical efficiency and long life.

STATEMENT OF LIABILITY

This pistol is classified as a firearm or dangerous weapon. It is expressly understood that we assume no liability for its resale or unsafe handling under local laws and regulations. Armscor assumes no responsibility for physical injury or property damage resulting from either intentional or accidental discharge, or for the function of the firearm subjected to influence beyond their control. Armscor will honor no claims which may result from careless handling, unauthorized adjustments, defective or improper ammunition, corrosion or neglect. Examine your firearm carefully at the time of purchase. It should be forwarded immediately to the factory or its sales agent if any adjustment of any kind is required.

State-By-State Warnings



CALIFORNIA STATE WARNING

CHILDREN ARE ATTRACTED TO AND CAN OPERATE FIREARMS THAT CAN CAUSE SEVERE INJURIES OR DEATH. PREVENT CHILD ACCESS BY ALWAYS KEEPING FIREARMS LOCKED AWAY AND UNLOADED WHEN NOT IN USE. IF YOU KEEP A LOADED FIREARM WHERE A CHILD OBTAINS AND IMPROPERLY USES IT, YOU MAY BE FINED OR SENT TO PRISON. IT IS UNLAWFUL TO USE A MAGAZINE WITH A CAPACITY OVER 10 ROUNDS.



MASSACHUSETTS STATE WARNING

IT IS UNLAWFUL TO CARRY ANY MAGAZINE OR BELT WHICH HOLDS MORE THAN TEN ROUNDS, UNLESS AUTHORITY IS GRANTED BY THE BOSTON POLICE COMMISSIONER. IT IS UNLAWFUL TO STORE OR KEEP A FIREARM, RIFLE, SHOTGUN OR MACHINE GUN IN ANY PLACE UNLESS THAT WEAPON IS EQUIPPED WITH A TAMPER RESISTANT SAFETY DEVICE OR IS STORED OR KEPT IN A SECURELY LOCKED CONTAINER.



NEW YORK STATE WARNING

IT IS UNLAWFUL TO CARRY ANY MAGAZINE OR BELT WHICH HOLDS MORE THAN SEVEN ROUNDS, UNLESS AUTHORITY IS GRANTED BY THE STATE OF NEW YORK. THE USE OF A LOCKING DEVICE OR SAFETY LOCK IS ONLY ONE ASPECT OF RESPONSIBLE FIREARMS STORAGE FOR INCREASED SAFETY, FIREARMS SHOULD BE STORED UNLOADED AND LOCKED IN A LOCATION THAT IS BOTH SEPARATED FROM THEIR AMMUNITION AND INACCESSIBLE TO CHILDREN AND OTHER UNAUTHORIZED PERSONS.

03 | SAFETY PRECAUTIONS

Safety must be the first and constant consideration of every person who handles firearms and ammunition. The person with a firearm in his possession has an important responsibility. He/she must know how to use his/her firearm safely:

1. Always keep the firearm holstered except when drawn for a definite purpose.
2. Always check the firearm for live ammunition when picked up, drawn from the holster, handed to, or received from another person.
3. Never point the firearm at anything you do not intend to shoot.
4. Never cock the hammer of the firearm unless you are ready to immediately shoot it. Do not even insert your finger in the trigger guard until you are ready to shoot.
5. Avoid dry firing even with dummy cartridges, unless the same is performed on a regular target range or at a known inanimate target.
6. When holding the firearm that is ready to fire, be absolutely certain that it is not pointed at any part of your body or at any person within your immediate vicinity.
7. Beware of obstructions in barrel. If, when firing, a weak or peculiar report is heard, cease firing and inspect the barrel for an obstruction. Remove magazine then check to insure there is no obstruction in barrel or chamber.
8. When a misfire or a "dud" is experienced keep the pistol pointed at the target for at least ten seconds before inspecting the firearm; a delayed firing may occur.
9. Remove magazine and pull slide back and engage to slide lock physically and visually confirmed chamber is empty.
10. When possible, wear shooting glasses and hearing protectors when firing.
11. Do not shoot at a hard surface, or water for the bullet can glance off and travel in unpredictable directions with considerable velocity.
12. Avoid drinking alcoholic beverages when handling the firearm.

WARNING:

DO NOT ATTEMPT TO USE ANY FIREARM WITHOUT HAVING A COMPLETE UNDERSTANDING OF ITS PARTICULAR CHARACTERISTICS AND SAFE USE.

WARNING:

YOU SHOULD NEVER DEPEND ON A SAFETY MECHANISM OR ANY OTHER MECHANICAL DEVICE TO JUSTIFY CARELESS AND IMPROPER HANDLING.

WARNING:

THIS FIREARM WAS MANUFACTURED TO PERFORM PROPERLY WITH THE ORIGINAL PARTS AS DESIGNED. PLEASE MAKE SURE ANY PARTS YOU BUY ARE INSTALLED CORRECTLY AND THAT NEITHER REPLACEMENTS NOR ORIGINALS ARE ALTERED OR CHANGED. PUTTING A FIREARM TOGETHER INCORRECTLY OR WITH MODIFIED PARTS CAN RESULT IN DAMAGED FIREARM, DANGER, AND INJURY OR DEATH. ANY MODIFICATIONS TO FIREARM WILL VOID FACTORY WARRANTY.

RIA TCM MID SIZE PISTOL

The RIA TCM MS PISTOL is basically a shortened version of the original full-size TCM pistol. The overall length of the MS pistol is three-fourth inch shorter but with the same grip length giving the same firepower and good handling characteristics as with the full-size parent. The gun utilizes a 4 ¼" barrel but uses the same internal parts of the full size model. Added features include the extended ejector, use of the spring cap instead of the standard recoil spring plug and a full length recoil spring guide which acts as stabilizer, and a standard-length or a full-length frame.

Disassembly of the MS pistol is done by following the same procedure as that of the full size models (see basic disassembly and reassembly on pages 6-7 of this manual).

CARRYING A LOADED 1911 PISTOL

Handling, carrying or otherwise transporting a 1911 pistol with an unfired cartridge in the chamber ALWAYS INCREASES THE RISK of an unintended firing of the cartridge, with the resulting potential for personal INJURY and DEATH. If you choose to assume that increased risk, and are not intending to fire the pistol immediately, always engage the manual thumb safety which blocks both the fully cocked hammer and the sear, a condition known as "cocked and locked." Do not, under any circumstances, carry or otherwise transport a 1911 pistol with an unfired cartridge in the chamber and the hammer set in the half-cock notch or lowered to the full forward position. Both of those hammer positions are so unsafe when carrying a 1911 pistol with a loaded chamber that they must never be used. Even the act of manually lowering the hammer into either of those positions with a loaded chamber is so unsafe that it must never be done.

SAFETY FEATURES



TRIGGER GUARD - this is the metal loop around the trigger intended to deflect unwanted contact with the trigger and thereby help prevent unintended gun firing.



GRIP SAFETY - this safety blocks rearward movement of the trigger in order to prevent the gun firing unless the grip safety is first disengaged by the firm grasp of the shooting hand in normal shooting position, thereby allowing complete rearward trigger movement.



DISCONNECTOR - this device interrupts the activation of the sear by the trigger in order to prevent the sear from releasing the hammer to fire a chambered cartridge until the slide and barrel are locked together and the trigger is released and pulled again.



THUMB SAFETY - this is the manual safety located at the upper rear of the grip frame so the thumb of the shooting hand can be used to easily engage or disengage it, which can only happen when the hammer is fully cocked. When up and engaged, it blocks both the sear and hammer to prevent the gun firing. When engaged, this safety also blocks movement of the slide. The "cocked and locked" carry condition is achieved when the thumb safety is engaged.



HALF-COCK NOTCH - the half-cock notch in the hammer (often misleadingly called a safety notch) is intended to stop the hammer from reaching the firing pin in the unlikely event the full-cock notch fails to hold the hammer back. Should the hammer fall to the half-cock notch, the sear is then captured by the half-cock notch so that the sear can no longer be moved by the trigger until the malfunction is corrected. The half-cock notch IS NOT A SAFETY and must never be used as an alternative to engaging the thumb safety ("cocked and locked") when carrying the gun fully loaded.



INERTIA FIRING PIN - the firing pin, designed to be shorter than its housing, is held to the rear by a spring and is intended to protrude to hit a cartridge primer only when a sufficient hammer blow overcomes the spring force and the inertia of the firing pin.

06 | RECOMMENDED AMMUNITION



The RIA TCM PISTOL is chambered for cal .22TCM cartridges in the round nose configuration manufactured in accordance with industry standards. This pistol was tested on specially manufactured Armscor TCM hi-velocity jacketed soft point ammunition with exceptional performance. Non-standard or improperly loaded cartridges affect accuracy and cause mechanical feeding problem. Always check for the following possible defects before loading the ammunition into your pistol:

- (a) Poorly seated primers
- (b) Incorrect seating length
- (c) Lead deformation on the front & shoulder
- (d) Improper crimping
- (e) Damaged case rims



CAUTION

NEVER USE CARTRIDGES OF UNKNOWN CALIBER, ORIGIN AND LOAD. IT IS EXTREMELY DANGEROUS TO USE A CARTRIDGE WHOSE PRESSURE IS GREATER THAN INDUSTRY STANDARDS, AS THE FIREARM MAY BE DAMAGED, AND MAY RESULT IN DEATH OR SERIOUS INJURY TO THE SHOOTER OR OTHER PERSON.

07 | TECH SPECS

Model	TCM ROCK STD. FS HC	TCM ROCK TARGER FS HC	TCM ROCK STD. MS HC	TCM ROCK ULTRA FS	TCM ROCK ULTRA MS	TCMTAC ULTRA FS	TCMTAC ULTRA MS	TCMTAC ULTRA FS HC	TCMTAC ULTRA MS HC
Caliber	.22TCM								
Action	Semi-Auto Recoil Operated								
Magazine Capacity	10 Rounds(Standard magazine) / 17 Rounds(High capacity)								
Effective Range	92 Meters (100 yards)								
Overall Width	33mm / 1.31" (Single Stack) / 34mm / 1.36" (Double Stack)								
Overall Length	222mm / 8.75" (Full Size) / 203mm / 8" (Mid Size)								
Overall Height	140 mm / 5.5" (Rock FS/MS High Cap & Tac MS High Cap) / 146 mm / 5.75" (Tac FS High Cap)								
Barrel Length	27 mm / 5" (Full Size) / 108mm / 4.25" (Mid Size)								
Weight Empty (Approx.)	Rock FS - 1.20 kgs. (2.645 lbs.) Rock MS -1.02 kgs. (2.248 lbs.)	Tac FS - 1.12 kgs. (2.249 lbs.) Tac MS - 1.14 kgs. (2.513 lbs.)	Rock FS High Cap - 1.11 kgs. (2.448 lbs.) Rock MS High Cap - 1.05 kgs. (2.315 lbs.)	Tac FS High Cap - 1.34 kgs. (2.955 lbs.) Tac MS High Cap- 1.12 kgs. (2.470 lbs.)					
Trigger Pull	1.36 – 1.81 kg. (3.0 - 4.0lbs.)								
Front Sight	Fixed, Mounted on Dovetail Cut								
Rear Sight	Adjustable, Mounted on Dovetail Cut								
Rifling Twist	Right Hand Twist, 1 Turn in 400mm (16")								
No. Of Grooves	6								
Stock	Polymer Grip / G10								
Finish	Parkerized								

SPECIAL FEATURES
GI serrated flat-top slide or slant wide serrations and heavy chamfer on lowered ejection port, and tight rim clearance on breechface
With ballnose scallop on slide of 1911 models
Contoured and lightened forged barrel with extra deep upper locking lugs, oversized lower lug, TCM feed ramp and heat treated to 40-42 Rc
Heavy, long firing pin to ensure consistent ignition and to control primer flow
3.17 kg. (7 lbs.) Recoil spring for FS model
7.71 kg. (17 lbs.) Mainspring
Combat hammer with serrated non-slip spur and matching large oval opening for light weight and reduced lock time
Non-slip serrated and skeletonized steel MR3 type trigger
Hi-sweep beavertail grip safety which protects the hand from hammer bite and gives a better grip that allows the gun to sit lower in the hand for less felt recoil
Modified magazine feed lips & follower
Very tight barrel hood clearance at breechface
A long barrel link that will ensure the proper top lug engagement
Plastic carrying guncase with egg-crate type poly-foam for ultimate gun protection
One (1) magazine per gun
Additional one (1) 9mm barrel assembly per gun for combo models

Notes:
Specification and features subject to change without prior notice.

08 | BASIC PARTS

1911A2 TCM ORIGINAL SERIES BASIC PARTS LIST

PART NAME	MODEL		
	1911A2 FS STANDARD	1911A2 FSTARGET	1911A2 MS STD
	TCM ROCK STANDARD FS HIGH CAP	TCM ROCKTARGET FS HIGH CAP	TCM ROCK STANDARD MS HIGH CAP
	PART NUMBER		
Barrel	TCM01	TCM01	TCM01MS
Barrel Assembly (Combo Component Only)	(0901A)	(0901A)	(0901MSA)
Barrel Bushing	4502	4502	4502
Barrel Link	TCM03	TCM03	TCM03
Barrel Link Pin	4504	4504	4504
Slide	TCM05	TCM05T	TCM05MS
Slide Stop (STD)	0906	0906	0906
Slide Stop Plunger	4507	4507	4507
Plunger Spring	4508	4508	4508
Firing Pin	TCM09	TCM09	TCM09
Firing Pin Spring	TCM10	TCM10	TCM10
Firing Pin Stop	0911	0911A	0911
Extractor	0912	0912	0912
Front Sight	4513A	4513A	4513A
Rear Sight	4514ASF	4514T	4514ASF
Recoil Spring	TCM15	TCM15	TCM15MS
Recoil Spring Plug (Spring Cap)	4516	4516	(45RR01)
Recoil Spring Guide	4517	4517	4517MS
Frame	4518A2	4518A2	4518A2MS
Magazine Assembly	TCM19A2A	TCM19A2A	TCM19A2A
Magazine Release	4524A2	4524A2	4524A2
Magazine Release Lock	4525	4525	4525
Magazine Release Spring	4526	4526	4526
Grip Panel Right	4527A2	4527A2	4527A2
Grip Panel Left	4528A2	4528A2	4528A2
Grip Screw (Socket Head)	(4529A2SH)	(4529A2SH)	4529A2

09 | BASIC PARTS

PART NAME	MODEL		
	1911A2 FS STANDARD	1911A2 FSTARGET	1911A2 MS STD
	TCM ROCK STANDARD FS HIGH CAP	TCM ROCKTARGET FS HIGH CAP	TCM ROCK STANDARD MS HIGH CAP
	PART NUMBER		
Trigger Shoe	4530MR3	4530MR3	4530MR3
Trigger Adjusting Screw	4530SC	4530SC	4530SC
Trigger Stirrup	4531A2	4531A2	4531A2
Trigger Stirrup Pin	4532	4532	4532
Combat Hammer	4533C	4533C	4533C
Hammer Pin	4534	4534	4534
Hammer Strut	4535	4535	4535
Hammer Strut Pin	4536	4536	4536
Sear	4537	4537	4537
Sear Pin	4538	4538	4538
Sear Spring	4539	4539	4539
Disconnecter	4540B	4540B	4540B
Safety Lock / Thumb Safety	4541	4541	4541
Safety Lock Plunger	4542	4542	4542
Ejector	0943	0943	0943CS
Ejector Pin	4544	4544	4544
Beavertail Grip Safety, Hi-Sweep	4545HS	4545HS	4545HS
Mainspring, 17lbs	TCM46	TCM46	TCM46
Mainspring Cap	4547	4547	4547
Mainspring Cap Pin	4548	4548	4548
Mainspring Housing	4549P	4549P	4549P
Mainspring Housing Pin	4550	4550	4550
Mainspring Housing Pin Retainer	4551	4551	4551

10 | BASIC PARTS

1911A1 TACT II SERIES BASIC PARTS LIST

PART NAME	MODEL	
	1911A1 FSTACT II	1911 A1 MSTACT II
	TCM ROCK ULTRA FS	TCM ROCK ULTRA MS
	PART NUMBER	
Barrel	TCM01R	TCM01RMS
Barrel Assembly (Combo Component Only)	(0901RA)	(0901RA)
Barrel Bushing	4502	4502
Barrel Link	TCM03	TCM03
Barrel Link Pin	4504	4504
Slide	TCM05SW	TCM05MSSW
Slide Stop (STD)	0906	0906
Slide Stop Plunger	4507	4507
Plunger Spring	4508	4508
Firing Pin	TCM09	TCM09
Firing Pin Spring	TCM10	TCM10
Firing Pin Stop	0911	0911
Extractor	0912	0912
Front Sight	4513B	4513B
Front Sight Fiber Optic	4513C	4513C
Rear Sight	4514ASF	4514ASF
Recoil Spring	TCM15	TCM15MS
Recoil Spring Plug (Spring Cap)	(45RR01)	(45RR01)
Recoil Spring Guide	(4517A)	(4517MS)
Frame	4018T	4018TMS
Plunger Tube	4518PT	4518PT
Magazine Assembly	TCM19A	TCM19A
Magazine Release	4524	4524
Magazine Release Lock	4525	4525
Magazine Release Spring	4526	4526
Grip Panel Right	4527G10MW	4527G10MW

11 | BASIC PARTS

PART NAME	MODEL	
	1911A1 FSTACT II	1911 A1 MSTACT II
	TCM ROCK ULTRA FS	TCM ROCK ULTRA MS
	PART NUMBER	
Grip Panel Left	4528G10MW	4528G10MW
Grip Screw (Socket Head)	(4529SH)	(4529SH)
Grip Screw Bushing	4529GSB	4529GSB
Trigger Shoe	4530MR3	4530MR3
Trigger Adjusting Screw	4530SC	4530SC
Trigger Stirrup	4531	4531
Trigger Stirrup Pin	4532	4532
Combat Hammer	4533C	4533C
Hammer Pin	4534	4534
Hammer Strut	4535	4535
Hammer Strut Pin	4536	4536
Sear	4537	4537
Ambi Sear Pin	4538AS	4538AS
Sear Spring	4539	4539
Disconnecter	4540B	4540B
Ambi Safety Left	4541ASL	4541ASL
Ambi Safety Right	4541ASR	4541ASR
Safety Lock Plunger	4542	4542
Ejector	0943	0943CS
Ejector Pin	4544	4544
Beavertail Grip Safety, Hi-Sweep	4545HS	4545HS
Mainspring, 17 lbs.	TCM46	TCM46
Mainspring Cap	4547	4547
Mainspring Cap Pin	4548	4548
Mainspring Housing	4549P	4549P
Mainspring Housing Pin	4550	4550
Mainspring Housing Pin Retainer	4551	4551
Magazine Well	4549MW	4549MW

12 | BASIC PARTS

1911A1 TACT TS SERIES BASIC PARTS LIST

PART NAME	MODEL	
	1911A1 FSTACTTS	1911 A1 MSTACTTS
	TCMTAC ULTRA FS	TCMTAC ULTRA MS
	PART NUMBER	
Barrel	TCM01R	TCM01RMS
Barrel Assembly (Combo Component Only)	(0901RA)	(0901RA)
Barrel Bushing	4502	4502
Barrel Link	TCM03	TCM03
Barrel Link Pin	4504	4504
Slide	TCM050211SW	TCM052011MSSW
Slide Stop (STD)	0906	0906
Slide Stop Plunger	4507	4507
Plunger Spring	4508	4508
Firing Pin	TCM09	TCM09
Firing Pin Spring	TCM10	TCM10
Firing Pin Stop	0911	0911
Extractor	0912	0912
Front Sight	4513B	4513B
Front Sight Fiber Optic	4513C	4513C
Rear Sight	4514ASF	4514ASF
Recoil Spring	TCM15	TCM15MS
Recoil Spring Plug (Spring Cap)	(45RR01)	(45RR01)
Recoil Spring Guide	(4517A)	(4517MS)
Frame	40182011	40182011MS
Plunger Tube	4518PT	4518PT
Magazine Assembly	TCM19A	TCM19A
Magazine Release	4524	4524
Magazine Release Lock	4525	4525
Magazine Release Spring	4526	4526
Grip Panel Right	4527G10MW	4527G10MW

13 | BASIC PARTS

PART NAME	MODEL	
	1911A1 FSTACTTS	1911 A1 MSTACTTS
	TCM TAC ULTRA FS	TCM TAC ULTRA MS
	PART NUMBER	
Grip Panel Left	4528G10MW	4528G10MW
Grip Screw (Socket Head)	(4529SH)	(4529SH)
Grip Screw Bushing	4529GSB	4529GSB
Trigger Shoe	4530MR3	4530MR3
Trigger Adjusting Screw	4530SC	4530SC
Trigger Stirrup	4531	4531
Trigger Stirrup Pin	4532	4532
Combat Hammer	4533C	4533C
Hammer Pin	4534	4534
Hammer Strut	4535	4535
Hammer Strut Pin	4536	4536
Sear	4537	4537
Ambi Sear Pin	4538AS	4538AS
Sear Spring	4539	4539
Disconnecter	4540B	4540B
Ambi Safety Left	4541ASL	4541ASL
Ambi Safety Right	4541ASR	4541ASR
Safety Lock Plunger	4542	4542
Ejector	0943	0943CS
Ejector Pin	4544	4544
Beavertail Grip Safety, Hi-Sweep	4545HS	4545HS
Mainspring, 17 lbs.	TCM46	TCM46
Mainspring Cap	4547	4547
Mainspring Cap Pin	4548	4548
Mainspring Housing	4549P	4549P
Mainspring Housing Pin	4550	4550
Mainspring Housing Pin Retainer	4551	4551
Magazine Well	4549MW	4549MW

14 | BASIC PARTS

1911A2 TACT TS MODELS BASIC PARTS LIST

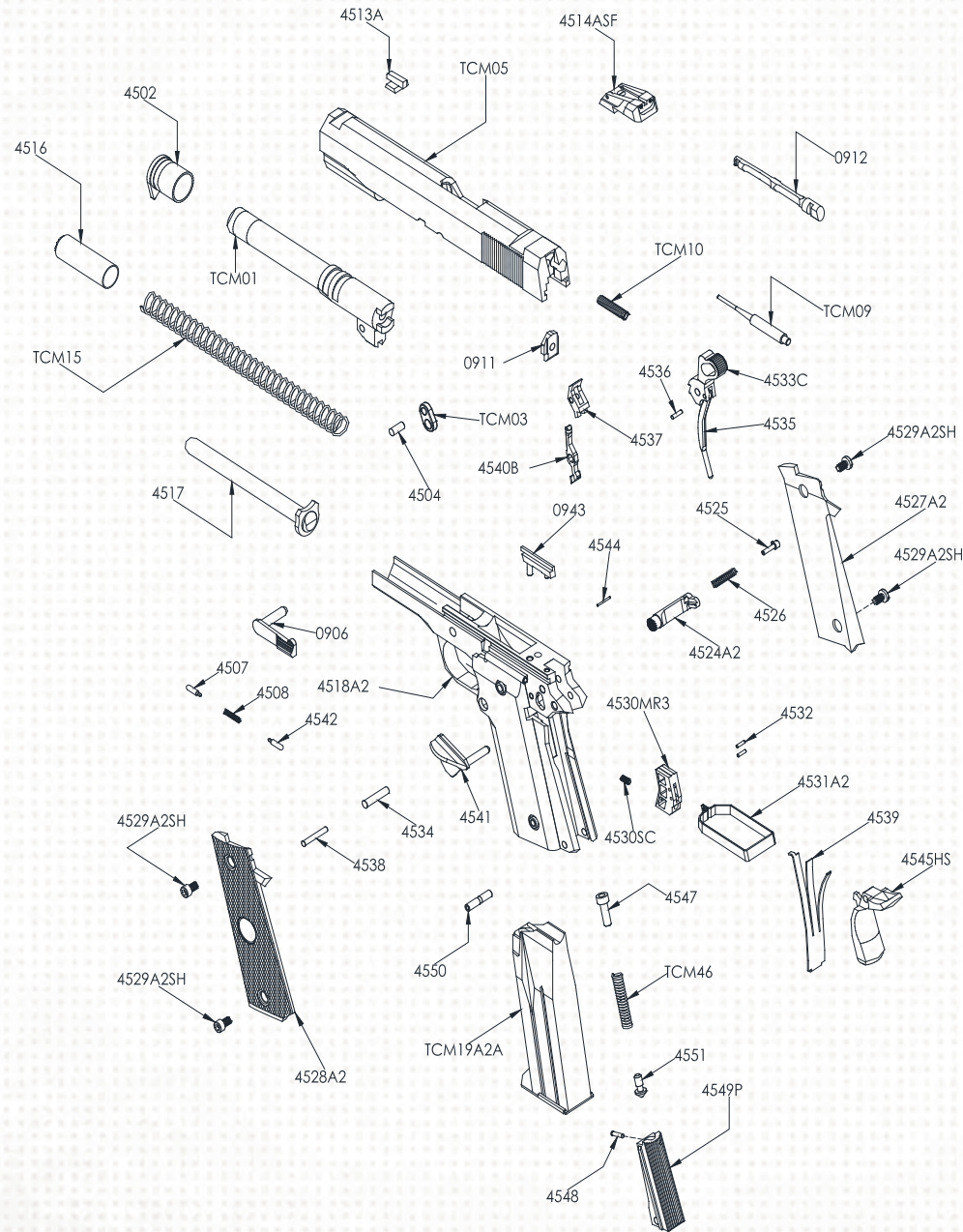
PART NAME	MODEL		
	FSTACTTS	MSTACTTS	6" TACTTS
	TCMTAC ULTRA FS HIGH	TCMTAC ULTRA MS HIGH CAP	TCMTAC ULTRA 6" HIGH CAP
	PART NUMBER		
Barrel	TCM01	TCM01MS	TCM016
Barrel Assembly (Combo Component Only)	(0901A)	(0901MSA)	0916A
Barrel Bushing	4502	4502	4502
Barrel Link	TCM03	TCM03	TCM03
Barrel Link Pin	4504	4504	4504
Slide	TCM052011SW	TCM052011MSSW	TCM05T20116
Slide Stop (STD)	0906	0906	0906
Slide Stop Plunger	4507	4507	4507
Plunger Spring	4508	4508	4508
Firing Pin	TCM09	TCM09	TCM09
Firing Pin Spring	TCM10	TCM10	TCM10
Firing Pin Stop	0911	0911A	0911
Extractor	0912	0912	0912
Front Sight	4513B	4513B	4513A(4513B)
Front Sight Fiber Optic	4513C	4513C	
Rear Sight	4514ASF	4514T	4514T
Recoil Spring	TCM15	TCM15MS	TCM15
Recoil Spring Plug (Spring Cap)	(45RR01)	(45RR01)	4516A6
Recoil Spring Guide	4517A	4517MS	4517C
Frame	4518A22011MW	4518A22011MS	4518A22011MW
Magazine Assembly	TCM19A2A	TCM19A2A	TCM19A2A
Magazine Release	4524A2	4524A2	4524A2
Magazine Release Lock	TCM01	TCM01MS	TCM016
Magazine Release Spring	(0901A)	(0901MSA)	09016A
Grip Panel Right	4502	4502	4502

15 | BASIC PARTS

PART NAME	MODEL		
	FSTACTTS	MSTACTTS	6" TACTTS
	TCMTAC ULTRA FS HIGH	TCMTAC ULTRA MS HIGH CAP	TCMTAC ULTRA 6" HIGH CAP
	PART NUMBER		
Grip Panel Left	4528A2G10MW	4528A2G10	4528A2G10MW
Grip Screw (Socket Head)	(4529A2SH)	(4529A2SH)	(4529A2SH)
Trigger Shoe	4530MR3	4530MR3	4530MR3
Trigger Adjusting Screw	4530SC	4530SC	4530SC
Trigger Stirrup	4531A2	4531A2	4531A2
Trigger Stirrup Pin	4532	4532	4532
Combat Hammer	4533C	4533C	4533C
Hammer Pin	4534	4534	4534
Hammer Strut	4535	4535	4535
Hammer Strut Pin	4536	4536	4536
Sear	4537	4537	4537
Ambi Sear Pin	4538AS	4538AS	4538AS
Sear Spring	4539	4539	4539
Disconnecter	4540B	4540B	4540B
Safety Lock / Thumb Safety			4541
Ambi Safety Left	4541ASL	4541ASL	
Ambi Safety Right	4541ASR	4541ASR	
Safety Lock Plunger	4542	4542	4542
Ejector	0943	0943	0943
Ejector Pin	4544	4544	4544
Beavertail Grip Safety, Hi-Sweep	4545HS	4545HS	4545HS
Mainspring, 17 lbs.	TCM46	TCM46	TCM46
Mainspring Cap	4547	4547	4547
Mainspring Cap Pin	4548	4548	4548
Mainspring Housing	4549P	4549P	4549P
Mainspring Housing Pin, STD / MW	(4550L)	4550	(4550L)
Mainspring Housing Pin Retainer	4551	4551	4551
Magazine Well	4549A2MW		4549A2MW

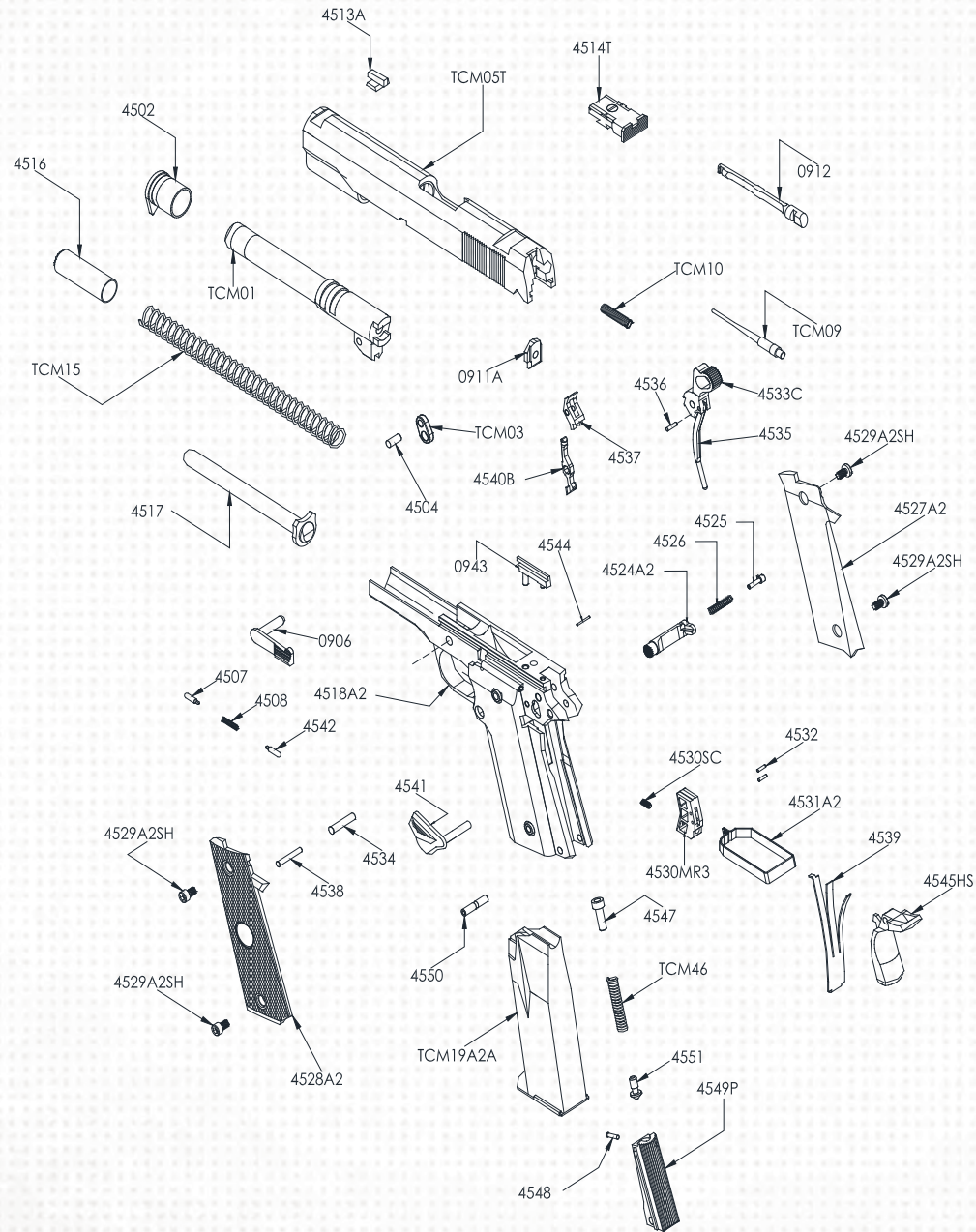
16 | EXPLODED VIEWS

TCM ROCK STANDARD FS HIGH CAP



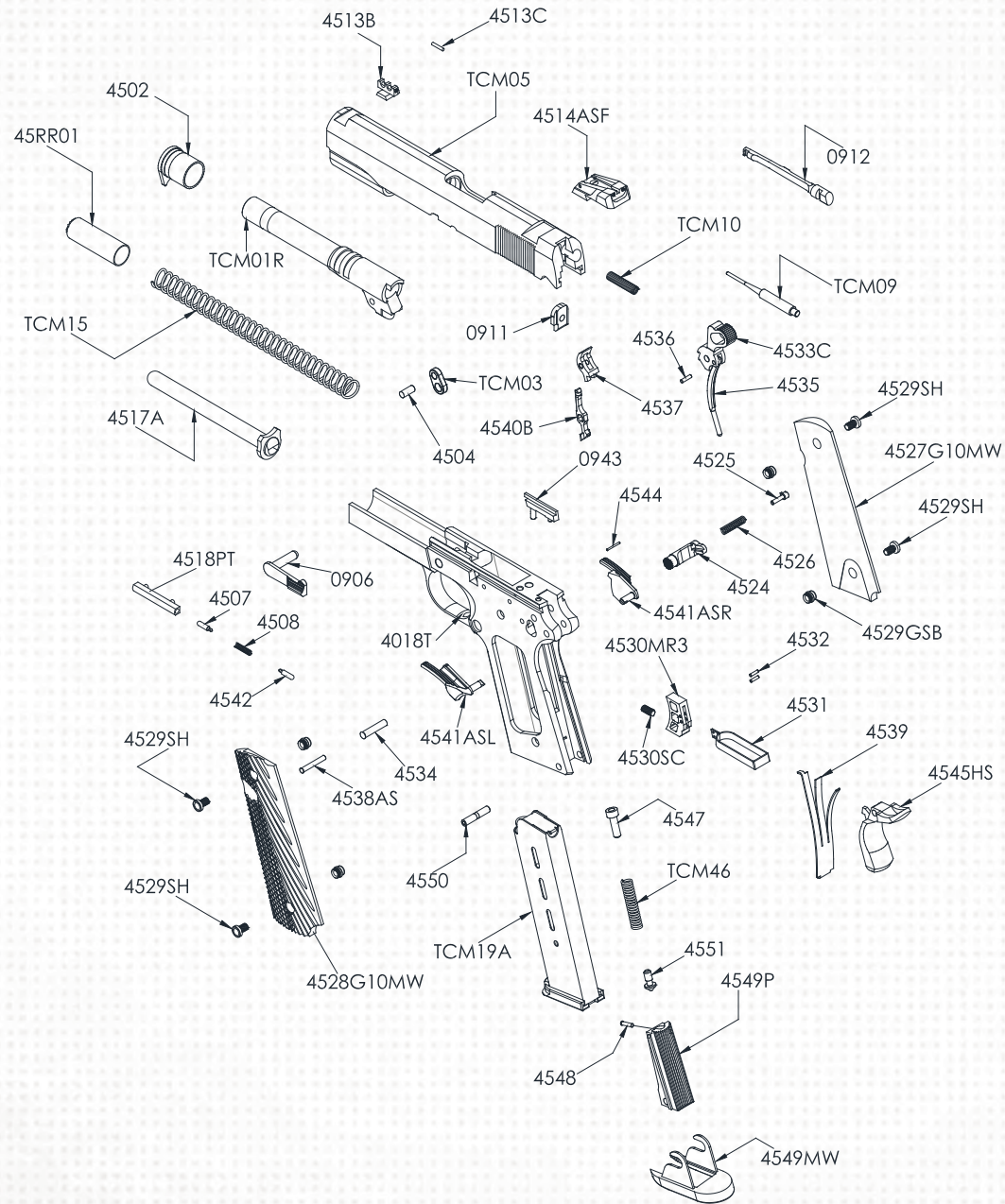
17 | EXPLODED VIEWS

TCM ROCK TARGET FS HIGH CAP



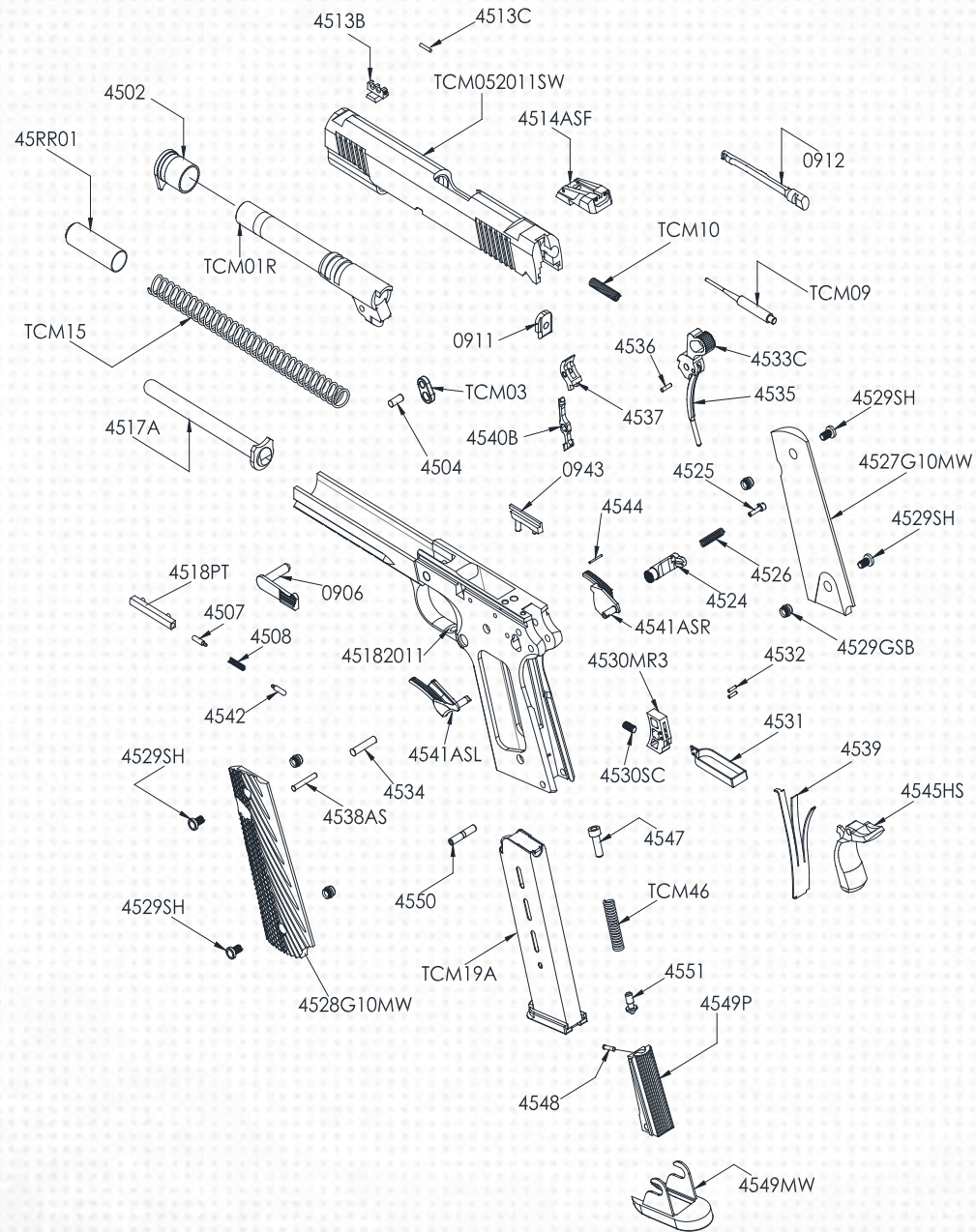
18 | EXPLODED VIEWS

TCM ROCK ULTRA FS



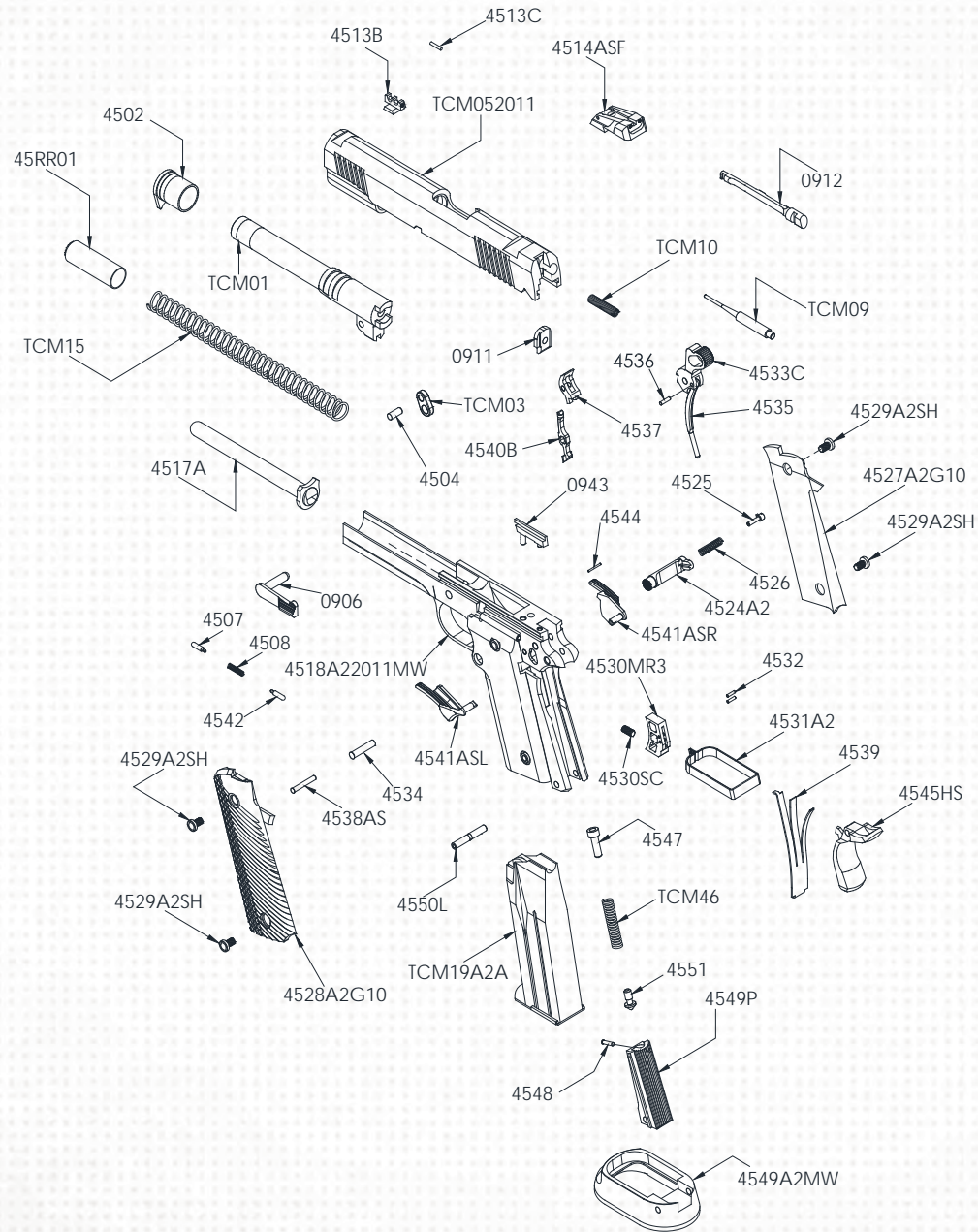
19 | EXPLODED VIEWS

TCM TAC ULTRA FS



20 | EXPLODED VIEWS

TCM TAC ULTRA FS HIGH CAP



21 | OPERATING INSTRUCTIONS

Before firing the gun for the first time, please run a .22 caliber brass bore brush through the bore and a 9mm brush in and out of the chamber to ensure there are no debris in the bore from packaging. Also use the two brushes during the initial break-in every 100 rounds, or when firing for accuracy to reduce copper fouling.

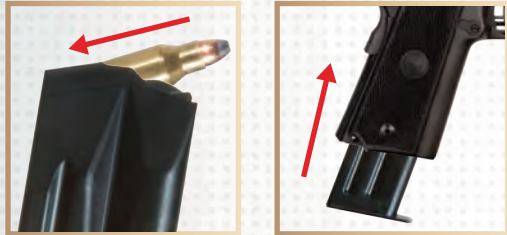
Basic gun safety should always be the main concern when shooting with this new pistol. The RIA TCM PISTOL is very easy to use, with all the basic features similar to the regular 1911 pistol. The main difference is in the ammunition which is a tamer round compared to its big brother, but for all the same reasons, has to be handled with equal care and safety.

Be sure to familiarize yourself with the pistol before you even enter a range or other shooting area.

Before you go to any range, always remember these golden rules of safety:

1. ALWAYS BE AWARE OF THE MUZZLE AND KEEP IT POINTED DOWN RANGE AT ALL TIMES! OBSERVE THE 180° RULE.
2. NEVER POINT A FIREARM AT ANYTHING YOU DON'T INTEND TO DESTROY!
3. ONLY CHAMBER A LOADED ROUND WHEN YOU ARE PREPARED AND READY TO FIRE!
4. ALWAYS ENGAGE THE THUMB SAFETY UPON LOADING THE PISTOL, AND WHEN THERE IS A LAPSE OF TIME BETWEEN THE SHOTS YOU ARE FIRING!
5. ALWAYS REMAIN CALM AND FOCUSED WHILE AT THE RANGE AND FIRING!

LOADING



To load the magazine, place the first cartridge in the front end of the magazine follower and push it down until it can be slid in under the feed lips of the magazine. Place the second cartridge on top of the first and force it down in the same way as the first one. Repeat this procedure until the magazine contains the number of cartridges you intend to load. (Note: Refer to the specification for the magazine capacity).

To load the pistol, insert the loaded magazine into the grip (handle) and push it up until the magazine release engages in its slot locking in place. Hold the pistol firmly with your firing hand. Grasp the slide on its serrated portion with your other hand and pull it to the rear as far as it will go. (Note: The hammer can be cocked first to make the slide easier to pull). Then, release the slide smartly. A cartridge is now loaded in the chamber and the pistol is ready to fire. Engage the safety and leave it there until you are ready to shoot.

FIRING



To fire the pistol, disengage the manual thumb safety, obtain the correct sight alignment and sight picture and squeeze the trigger. To fire successive shots, the trigger must be released and squeezed repeatedly.

Please understand that if firing in cold temperatures, the TCM will run sluggishly during the break-in. Always use a firm grip and locked wrists during the initial operation of the pistol.

When the last cartridge from the magazine has been fired, the slide remains to the rear. If you intend not to shoot or cease firing, remember you have a loaded gun in your hand. First, keep the gun pointed in a safe direction and keep your finger off the trigger. Then, unload the gun by following the unloading procedure below.

IMPORTANT: CAL. 22TCM IS A NECK RIFLE STYLE CARTRIDGE WHICH USES A SLOWER BURNING POWDER. WHEN FIRED, SOME POWDER RESIDUES ARE LEFT BEHIND. THUS, CLEANING THE GUN AFTER AROUND 300 ROUNDS FIRED IS HIGHLY RECOMMENDED AS KEEPING THE CHAMBER CLEAN IS MUCH MORE CRITICAL ON THIS TYPE OF AMMUNITION.

UNLOADING



To unload, press the magazine release and remove the magazine. If the slide is in the forward position, pull it to the rear and retain by pushing the slide stop up. Inspect the chamber to make sure that the pistol is clear and unloaded. If there is a shell or unfired cartridge in the chamber, manually remove it before pressing the slide stop down. Your gun is now unloaded.

22 | BASIC DISASSEMBLY & REASSEMBLY

A. BARREL AND SLIDE ASSEMBLY

1. Press the magazine release and withdraw the magazine. Pull the slide backwards and check the chamber to ensure that the pistol is unloaded and safe.
2. Press the recoil spring plug with your thumb and rotate the barrel bushing clockwise.
3. Gently allow the plug and recoil spring set to move forward. Do not remove the set as this will keep the recoil spring guide in place.
4. Pull the slide backwards until the shallow notch on its left aligns with the top rear of the slide stop. Remove the slide stop by pressing its pivot stud on the right side of the frame and pull out the slide stop on the left side of the frame.
5. Pull the slide directly forward of its guide rails in the frame. The barrel, barrel bushing, recoil spring, recoil spring guide and recoil spring plug will come out with it.
6. Remove the recoil spring guide and plug from the slide.
7. Rotate the barrel bushing to the left as far as it will go and withdraw it to the front.
8. Tilt the barrel link forward to withdraw the barrel through the front of the slide.
9. Remove the firing pin by pressing it with a pin while simultaneously pushing the firing pin stop downwards and out of the slide.
10. Using a pin (or the firing pin itself) pry the extractor by its groove out of the slide.

B. FRAME ASSEMBLY

1. Remove the pair of grip panels by unscrewing the grip screws with a screw driver of the correct size.
2. Cock the hammer. Hold the thumbpiece of the thumb safety firmly with your thumb and index finger and exert a steady pressure to pull it outward while twisting it back and forth. The thumb safety will thus come out of the frame.
3. Lower the hammer by gripping the frame as if for shooting, to compress the grip safety and press the trigger, while holding on to the hammer to ease it down.
4. With the pivot stud of the thumb safety, force the hammer pin out of the frame. This will permit the hammer and the hammer strut attached to it to be lifted out.
5. With the end of the hammer strut or a suitable punch, push the main spring housing pin out of the right side of the frame.
6. Withdraw the main spring housing assembly straight down out of its grooves in the frame.
7. Remove the grip safety and the three-leafed sear spring rearward from the frame.
8. Again, using the hammer strut, push the sear pin from right to left removing it out of the frame. This will permit the sear and the disconnect, which are both mounted on this pin, to be withdrawn out of the frame.
9. Partly push the magazine release in on the left side of the frame by as much as .075 in., and rotate the magazine release lock a quarter turn from right to left with a small screw driver. This enables the magazine release assembly to be removed out of the frame as a unit.
10. Remove the trigger assembly out of its recess cuts in the frame.
11. Push the combination slide and safety lock plungers and the spring between them out to the rear of the cast-in-frame plunger tube.
12. To dismantle the main spring housing assembly, force the main spring cap down with a punch and push the main spring cap pin out of its hole in the main spring housing. This will permit the main spring cap, the mainspring and the main spring housing pin retainer to be withdrawn from the housing.

REASSEMBLY

While reassembly of the dismantled pistol is done in the reverse order of disassembly, the following special instructions will be of assistance:

1. When the barrel and the slide assembly is to be mounted on the frame, hold both the slide and the frame with both rails of each part aligned, then slide the frame forward into the slide rails.
2. The disconnecter and sear are assembled together and it is important that they be in proper position. To do this, first mount the sear over the disconnecter (curved section inward, lugs pointing downward). Put the parts together into the frame by inserting the rounded head of the disconnecter in its hole in the frame so that the flat face of its lower end rests against the trigger stirrup. Slightly press the trigger so that the holes of the two parts will line up with that of the frame. Holding them this way, insert the sear pin from left side of the frame making sure that it passes through both the disconnecter and the sear.
3. In replacing the sear spring, make sure that its lower end is caught in the slot located at the bottom rear of the frame handle. The upper end of the left-hand leaf must press forward against the rear face of the left leaf of the sear. While retaining in this position, slide the main spring housing up in its grooves until its end is projecting only about one-eighth of an inch below the edge of the bottom of the frame.
4. Cock the hammer to replace the thumb safety.
5. Having replaced the hammer, the grip safety and the thumb safety, cock the hammer. Make sure that the hammer strut rests on the main spring cap. Then push the main spring housing up into the frame to its final position and retain the assembly by driving in the main spring housing pin.

24 | MAINTENANCE

CARE AND MAINTENANCE

With proper care, your RIA TCM PISTOL will provide you with years of dependable service. It should be inspected, cleaned and oiled periodically to ensure that it remains in good condition and functions safely and reliably. Doing the job requires no total disassembly of the mechanical parts in the frame assembly. Under normal cleaning purposes, field stripping or dismounting of the slide and barrel assembly is sufficient.

There are a few differences with regards to the bottle neck TCM cartridge that require the user to deal with some maintenance issues differently than they would a .45ACP or 9mm in order to gain the optimal reliability and longevity out of the pistol.

To clean the pistol after firing, first dismount the slide and barrel assembly. Scrub the barrel bore and chamber with a bore brush dipped in a gun cleaning solvent to remove lead residue and foreign matter left inside. Using an old toothbrush dipped in solvent, clean the areas around the slide's breech face to remove powder and primer residues. Other parts and areas to be cleaned are the frame and slide rails, firing pin, extractor claw and other adjacent areas.

After cleaning, wipe all surfaces with a clean dry cloth to remove all traces of the solvent and apply a light film of a light machine oil (5 wt.) or automotive oil immediately thereafter on the slide and frame rails, barrel locking lugs, lower link lug and barrel muzzle end. Never get oil on the breech face or extractor! Always wipe the breech face dry after oiling.

To clean the pistol thoroughly, disassemble all parts to the extent described above, taking care not to ruin or lose any part. Clean and inspect all parts, then dry and lubricate very lightly. Reassemble the pistol, dry the barrel chamber and bore, and check the gun for proper function before loading live ammunition.

When storing the gun for a prolonged period of time, it is necessary to oil it heavily with an acid-free lubricant. The external parts must be coated with an anti-rust oil or grease to prevent moisture from settling on the metal and seeping into the internal mechanism causing the parts to rust and malfunction. Before usage, the pistol must be cleaned and wiped dry again as discussed above.

CLEANING

To clean the pistol after firing, first dismount the slide and barrel assembly. Scrub the barrel bore and chamber with a bore brush dipped in a firearm cleaning solvent to remove firing residue and foreign matter left inside. Using an old toothbrush dipped in solvent, clean the areas around the slide's breech face to remove powder and primer residues. Other parts and areas to be cleaned are the frame and slide rails, firing pin, extractor claws and other adjacent areas. After cleaning, wipe all surfaces with a clean dry cloth to remove all traces of the solvent and apply a light film of oil immediately thereafter.

To clean the pistol thoroughly, disassemble all parts to the extent described above, taking care not to ruin or lose any part. Clean and inspect all parts then dry and lubricate very lightly. reassemble the pistol, dry the barrel chamber and bore, and check the firearm for proper function before loading live ammunition.



CAUTION

THE GUN SHOULD BE STORED IN ROOMS WITH DRY ATMOSPHERE AND WITH THE LEAST HUMIDITY. IT SHOULD NOT BE STORED ENCASED IN LEATHER OR ANYTHING THAT WILL ATTRACT AND HOLD MOISTURE CAUSING THE METAL PARTS TO RUST.



SCAN QR

SEE FULL VIDEO TUTORIALS ON OUR
WEBSITE

25 | MAINTENANCE

MAINTENANCE AND BREAK-IN

Congratulations on the purchase of your new 22TCM pistol! The 22TCM is in all ways a true 1911. There are a few differences with regards to the bottle neck TCM cartridge that require the user to deal with some maintenance issues differently than they would a 45ACP or 9mm in order to gain the optimal reliability and longevity out of the pistol.

Please follow these instructions to get the most out of your new TCM pistol:

- Before handling or firing your new TCM pistol, please read and familiarize yourself with the 1911-A2 manual enclosed. Remember, firearm safety is YOUR responsibility, so please be aware of your muzzle at ALL TIMES, and NEVER point your new pistol at anything you do not want to DESTROY!
- Before firing the gun for the first time, please run a .22CAL Brass bore brush through the bore and a 9mm brass brush in and out of the chamber to insure there are no debris in the bore from packaging. Also use the two brushes during initial break-in every 100 rounds, or when firing for accuracy to reduce copper fouling.
- Please understand that if firing in cold temperatures, the TCM will run sluggishly during break-in. Always use a FIRM GRIP and LOCKED WRISTS during the initial operation of the pistol.
- We recommend using a light machine oil (5wt.) or automotive oil on the pistol. Only lightly oil the slide and frame rails, barrel locking lugs, lower link lug, and barrel muzzle end, NEVER get oil on the breech face or extractor! ALWAYS wipe the breech face dry after oiling. NEVER use Gun Scrub or Carb cleaner on your TCM pistol! Simply clean by disassembling and wiping down the contact areas and using compressed air to blow out the powder residue.
- DO NOT FORGET to install the **12lb. recoil spring (FS 22TCM)/ 14lb. recoil spring (MS/CS 22TCM)** that comes with the 9mm conversion. The TCM has a **7lb. recoil spring (FS 22TCM) /9lb. recoil spring (MS/CS 22TCM)** and is noticeable lighter.
- This product is ONLY WARRANTEED when using factory TCM or original Micromag ammunition. Always use factory spec Ammunition loaded by Armscor. You can contact Armscor Precision International at **1-775-537-1444**.

Thanks again for your purchase, and if you should have any questions or concerns please contact Armscor Precision International at **1-775-537-1444**

STORAGE AND TRANSPORTATION

When storing the firearm and ammunition, store in separate locations, store ammo in a cool, dry location.

When storing the gun for a prolonged period of time, it is necessary to oil it heavily with an acid-free lubricant. The external parts must be coated with an anti-rust oil or grease to prevent moisture causing the parts to rust and malfunction. Before usage, the pistol must be cleaned and wiped dry again as discussed previously.

WARNING:

CHILDREN ARE ATTRACTED TO AND CAN OPERATE FIREARMS THAT CAN CAUSE SEVERE INJURIES OR DEATH. PREVENT CHILD ACCESS BY ALWAYS KEEPING FIREARMS LOCKED AWAY AND UNLOADED WHEN NOT IN USE. IF YOU KEEP A LOADED FIREARM WHERE A CHILD OBTAINS AND IMPROPERLY USES IT, YOU MAY BE FINED OR SENT TO PRISON.

WARNING:

THE FIREARM SHOULD BE RE-STORED IN ROOMS WITH A DRY ATMOSPHERE AND WITH THE LEAST HUMIDITY. IT SHOULD NOT BE STORED ENCASED IN LEATHER OR ANYTHING THAT WILL ATTRACT AND HOLD MOISTURE, CAUSING IT TO RUST.

ORDERING PARTS

Visit RIA website to browse, learn more about and purchase parts and ammunition for all of your Rock Island Armory products.

 www.advancedtactical.com



WARRANTY REGISTRATION

Arm Scor's warranty covers its firearms and parts. We offer limited lifetime warranty on our products for their intended purpose. As with any product, abuse, gunsmithing by an unqualified person and normal wear and tear are excluded. Additionally, if the firearm was modified and/or repaired by an unqualified gunsmith without permission from Arm Scor, then the warranty will be void. If warranty work should be required, return the firearm to the address listed below. There is no refund for the shipping cost. Gunsmithing services are available by registered Arm Scor Gunsmithers. Please email the address below.

To register your firearm, please go to www.rockislandarmory.com/support-center/warranty/ and complete online warranty form. In comments section, write warranty registration and press submit. You can also go to www.rockislandarmory.com and press warranty section at the bottom.

For more information on warranty, visit www.rockislandarmory.com, or email support@armscor.com

Arm Scor Precision International
150 North Smart Way
Pahrump, NV 89060
Email: support@armscor.com

IMPORTANT WARRANTY INFORMATION

Our Rock Island Armory 1911 Pistols are warranted to function only with Factory FMJ Brass Cased Ammo and the Original Factory Magazine. Use of Handloads is not covered in Warranty of Repair for the function of the Firearm.

DUE TO THE FIT AND TIGHTNESS OF FIREARM, RIA RECOMMENDS A BREAK-IN PERIOD OF 500 ROUNDS.

THIS IS HOW YOU VOID YOUR WARRANTY

- * Refinishing your RIA firearm
- * Misuse, Mishandling, Dropping your RIA Firearm
- * Firing Remanufactured or Reloaded Ammunition
- * Not properly reassembling your RIA Firearm resulting in damage, ie reverse plugs!
- * Any addition of after market parts
- * Unauthorized repairs done by any other than Rock Island Armory

LIMITS ON WARRANTY (will not cover)

- * Finish, Holster wear, Scratches, Chemical damage
- * After Market Magazines
- * Damage to Factory Magazines
- * Sights not installed by Rock Island Armory
- * Recoil Springs

WE RESERVE THE RIGHT TO CHARGE FOR LABOR, PARTS AND SHIPPING TO RETURN YOUR RIA FIREARM BACK TO FACTORY SPECIFICATIONS IF IT HAS BEEN ALTERED.

NOTES

NOTES

NOTES

NOTES



WWW.ROCKISLANDARMORY.COM

