



P17™

SAFETY, INSTRUCTION & PARTS MANUAL

⚠ WARNING: Read this manual carefully before loading or using the P17™.

TABLE OF CONTENTS

Safety Information and Warnings	2
Overview	5
I. Description	5
II. Safety	6
III. Nomenclature.....	7
IV. Specifications	8
A. Overall.....	8
B. Measurements	8
V. Ammunition	8
Operating Instructions	10
I. Loading Magazine and Chambering.....	10
II. Sights	11
III. Firing	12
IV. Unloading.....	14
Breakdown	15
I. Disassembly.....	15
II. Assembly.....	17
III. Proper Care	17
A. Maintenance	17
B. Lubrication	18
C. Troubleshooting	18
Customer Service	20
I. Service/Repair	20
II. Warranty.....	20
Exploded View and Parts	22
I. Grip Group	22
II. Slide Group	23

SAFETY INFORMATION AND WARNINGS

This manual explains the function and the handling of the P17 and warns of the potential dangers, including death or serious personal injury that can result from the unsafe use of the P17. This manual should always accompany the P17 and be transferred with it, as well as, if it is sold or loaned to another person.

Even if you are an experienced shooter, you must READ THIS ENTIRE MANUAL CAREFULLY before loading or firing the P17. This manual gives basic instructions on the proper handling and functioning of the P17. The safety of yourself and that of others will depend on you following the instructions and warnings in this manual. Always use safe firearms practices. If you are unfamiliar with firearms, take a course in the safe handling of firearms run by a qualified firearms instructor, your local gun club, or a similar qualified organization.

This manual contains several safety warnings and instructions preceded with **WARNING**, **CAUTION**, or **NOTICE**. These signal words are designed to draw your attention to important safety information.

WARNING indicates a hazardous situation which, if not avoided, could result in death or serious injury.

CAUTION indicates a hazardous situation which, if not avoided, could result in minor or moderate injury.

NOTICE addresses safety practices not related to personal injury.

WARNING Firearms can cause death or serious personal injury. Safety must be the prime consideration of anyone who handles firearms.

WARNING The P17 is designed to function reliably with proper care and knowledgeable use. Do not use your P17 unless you fully understand how to safely operate it.

WARNING It is your responsibility to use safe firearm handling habits. Accidents are the result of violating the rules of safe firearms handling as well as the warnings noted in this manual.

WARNING Always seek a doctor's advice if you are taking medication and/or are pregnant to be sure that you are able to shoot and handle a firearm safely. Never drink alcoholic beverages and/or take drugs before or while shooting. Your vision and judgment could be seriously impaired, making your firearm handling unsafe.

WARNING Always treat a firearm as though it were loaded.

⚠️ WARNING Always keep the muzzle pointed in a safe direction. Never point a firearm at anyone or anything you do not intend to shoot.

⚠️ WARNING Always keep your finger off the trigger and outside the trigger guard until you have made the decision to fire.

⚠️ WARNING Always wear hearing and eye protection when using your firearm.

⚠️ WARNING Never accept or pick up a firearm without checking the magazine and the chamber to make sure that it is unloaded.

⚠️ WARNING Do not trust the extractor to remove the cartridge from the chamber. Always check to confirm that it is empty.

⚠️ WARNING Always make sure the P17 is unloaded, on SAFE, and the action is open before handing it to another person.

⚠️ WARNING Never allow a firearm to be used by individuals who are not familiar with its safe operation and rules of firearm safety.

⚠️ WARNING Never alter or modify the P17 because this could cause it to malfunction, create a dangerous condition, and void the warranty.

⚠️ WARNING Be sure all accessories are compatible with the firearm, properly installed on the firearm, and that the accessories do not interfere with safe operation of the firearm. Follow the instructions provided by the accessory manufacturer to the extent those instructions are not inconsistent with the warnings and instructions contained in this manual.

⚠️ WARNING If the P17 is dropped or forcefully struck, it could be damaged and may not function properly. Have it inspected by Kel-Tec CNC Industries, Inc. before continued use.

⚠️ WARNING Never load a firearm except immediately before shooting. When transporting your firearm, be sure your firearm is unloaded, on SAFE, and the action is open.

⚠️ WARNING Never store or transport firearms and ammunition together, keep them locked up and away from children and other unauthorized persons.

⚠️ WARNING Always secure firearms from children. You are responsible for the firearm's safety and security.



Most ammunition contains lead in the projectile and/or primer. Discharging firearms in poorly ventilated areas, cleaning firearms, or handling ammunition may result in exposure to lead and other substances known to cause birth defects, reproductive harm, cancer, and other serious physical injury. Have adequate ventilation at all times. Wash hands thoroughly after exposure.

The P17 was tested, carefully inspected, and packaged before it left the factory. Kel-Tec CNC Industries, Inc. cannot control what happens to the P17 after it leaves the factory. Therefore, carefully examine the P17 when you acquire it to ensure that it is unloaded and undamaged. If you do not understand any of the warnings and instructions in this manual or have any problems operating the P17, contact Kel-Tec CNC Industries, Inc. at:

KEL-TEC CNC INDUSTRIES INC

1505 Cox Road

Cocoa, FL 32926

Telephone Number: 321-631-0068 Toll free: 1-800-515-9983

Hours: M-F 9am-6pm EST (excluding holidays)

Website: <https://www.keltecweapons.com>

Email: customerservice@keltecweapons.com

The current version of the instruction manual can also be downloaded at:

<https://www.keltecweapons.com>

OVERVIEW

I. DESCRIPTION

The P17 is a semi-automatic magazine fed pistol for .22 LR cartridges. It is designed to be a compact carry pistol and can also be used as an accurate low recoil target pistol. The single stack magazine holds 16 rounds plus 1 in the chamber. The pistol is molded to fit the contours of the hand and the handle has a “gator grip” pattern which adds control to the grip.



Figure 1

The lightweight slide helps reduce the total weight of the pistol to 10.9oz. It consists of an upper portion of steel that connects to the slide cover which is pulled to load a round in the chamber. Weight is reduced while recoil, reliability, and performance are not compromised. A picatinny-style accessory rail is integrated forward of the trigger guard to allow for the attachment of accessories, such as a flashlight or laser.

NOTICE Check with federal and local laws before attaching ANY type of extra grip to this rail.

The grip assembly, magazine, and slide cover are made of an impact-resistant glass-reinforced Nylon. The rear portion of the grip contains a steel frame which houses the firing mechanism, guides the slide, supports the magazine and ties the grip halves together. The pistol's serial number is engraved near this area shown in *Figure 2*, just above where the thumb would wrap around the rear of the grip.

The magazine body smoothly seats within the grip housing without give or play, but still allows the magazine to eject on its own weight. The magazine release lever is located at the bottom of the trigger guard and must be pressed downward on either side in order to release. If the magazine is not seated correctly in the pistol, then the magazine safety will not be engaged and the hammer will not be able to release, rendering the P17 unable to FIRE.

The construction of the slide, barrel, and trunnion are made of hardened steel. The rear of the slide is covered with an injection molded nylon cover that also houses the adjustable rear sight. A single extractor and the firing pin are housed under the slide cover. The front sight is fiber-optic and housed in plastic. The recoil spring and barrel are captive, held in place by the grip. A plastic buffer allows for dampening the slide forces while also acting as a slide takedown lever. The upper assembly includes the slide, barrel, barrel block, and recoil springs.

II. SAFETY



Figure 2

An ambidextrous safety lever is located just below the slide cover at the rear of the grip. LEVER DOWN is FIRE mode and a red dot will be visible just above the lever. LEVER UP is SAFE mode and the lever will cover the red dot. When the safety is activated, it blocks the sear bar from releasing which prevents the hammer from dropping.

To put the firearm in the SAFE position; visually verify that there is no round in the chamber, pull back the slide and release, then switch the safety lever up. A good safety practice is to not have the magazine in the P17 when pulling back the slide. This is the best way to put the P17 on SAFE to minimize the risk of accidentally chambering a round.

⚠ WARNING The safety lever **MUST** reach its intended position. If you do not completely disengage or engage the safety lever and instead stop the safety

midway, you may still be able to pull the trigger. The safety will not engage unless the hammer is fully cocked. The slide may need to be completely pulled back again in either of these scenarios to completely engage the safety.

The firing mechanism is hammer fired and of conventional single action type. The safety disconnects the trigger mechanism and fully blocks the sear so the hammer cannot drop.

WARNING Never completely rely on a mechanical safety as it can fail or become unintentionally disengaged. A mechanical safety is **NOT A SUBSTITUTE** for safe firearm handling practices.

III. NOMENCLATURE



1 – FRONT SIGHT
2 – SLIDE
3 – REAR SIGHT
4 – MUZZLE NUT
5 – ACCESSORY RAIL
6 – DISASSEMBLY LEVER
7 – TRIGGER
8 – MAGAZINE RELEASE
9 – MAGAZINE
10 – SAFETY LEVER

IV. SPECIFICATIONS: P17

Figure 3

A. Overall

Caliber	.22 LR
Operation	Straight blowback
Mode of Fire	Semi-automatic
Trigger System	Hammer fired, single-action
Magazine Capacity (Included)	16 rounds

B. Measurements

Weight

Pistol w/o Magazine	10.9 oz	308.6 g
Loaded Magazine (16 rounds)	2.8 oz	78.8 g

Dimensions

Overall Length	6.7 in	170.2 mm
Barrel Length	3.8 in	96.5 mm
Width (widest point)	1.25 in	31.8 mm
Height	5.3 in	134.6 mm
Rifling	1 in 14 in	1 in 356 mm

Force

Trigger Pull	4.0 lb	1.8 kg
--------------	--------	--------

Table 1

V. AMMUNITION

The P17 pistol has been designed and chambered to operate with standard .22 LR cartridges that are **HIGH VELOCITY AMMUNITION ONLY**. Use only US made, SAAMI spec, commercially manufactured, clean, dry, high-quality, and good condition ammunition. Never use non-standard, reloaded or damaged cartridges. Use only brass-cased ammunition. Any other ammunition is considered non-standard and use of it may cause functioning issues and void the warranty of the firearm.

Kel-Tec firearms are manufactured from high quality materials. They will provide extended service life. However, all warranties, expressed or implied, are voided and Kel-Tec will not be liable for property damage or personal injury and consequential damages, if faulty, non-standard, or reloaded ammunition is used in any Kel-Tec firearm.

The use of ammunition for self-loading firearms should fit these criteria and be suitable for the intended performance. **LOW POWER AMMO AND/OR LIGHT WEIGHT BULLETS MAY CAUSE FEEDING PROBLEMS DUE TO THE LACK OF ENERGY TO FULLY CYCLE THE SLIDE.** This is also the case if the grip is not held firmly.

Not all ammunition produces the same result, we recommend that once you find a brand that functions best, keep using it. Kel-Tec CNC Industries, Inc. does not recommend using hand loads, reloads, remanufactured ammunition, foreign or military surplus ammunition of unknown or questionable quality. The use of this type of ammunition will: void the warranty, be dangerous, and possibly cause death or serious injury if the ammunition is not made to the proper specifications.



Never use non-standard ammunition or cartridges with pressures or dimensions exceeding SAAMI standards, failure to follow this warning may result in serious injury or death and damage to your firearm.

OPERATING INSTRUCTIONS

I. LOADING MAGAZINES AND CHAMBERING

The P17 accepts a single stack magazine that holds 16 rounds. Failure to load the magazine properly can result in rim-lock which will lead to a failure to feed malfunction (FTFD, See Troubleshooting section pg. 18).

To load, fill the magazine by pressing a cartridge downward in the center of the magazine, with the rim situated within the rim window. Then slide the round back all the way before pushing another round down on top of it. Continue loading the magazine by pushing the round down, and then sliding the round back. After loading about 8 rounds lightly tap the back of the magazine against a flat surface, like a table, to help seat the rounds and keep the rims correctly arranged. Once roughly 10 rounds have been loaded, the magazine will become more difficult to load and tapping the back can be done after every round if necessary.



WARNING Always check that the ammunition is clean, undamaged, and the correct caliber for the pistol. Forcing substandard ammunition into the chamber could result in damage to property, injury, or death.

Insert the loaded magazine into the bottom of the grip of the firearm, then firmly slap the butt of the magazine until a “click” sound is heard to ensure it is fully seated.



Figure 4

To chamber, hold the firearm in your shooting hand with the safety lever on SAFE (lever up). keep the muzzle pointed in a safe direction and your finger outside the trigger guard, pointing forward. Grab the polymer slide cover and firmly pull the slide all the way back and release. Releasing the slide on its own power will allow the slide to properly chamber a round, while slowly guiding it closed may cause a malfunction.

A ROUND IS NOW CHAMBERED IN THE PISTOL. ENSURE SAFETY IS ENGAGED UNTIL THE FIREARM IS TO BE FIRED.

⚠ WARNING Always position the safety lever upward in the SAFE position when loading and unloading the firearm!

There is a manual slide lock lever on the left side of the pistol, just in front of the safety lever, which will release the slide. When chambering a round from the magazine, the slide **WILL NOT** lock back.

II. SIGHTS

The P17 sights come from the manufacturer with a general alignment. It is always best to accurately align and zero your sights. The rear sight screw adjusts for windage/horizontal alignment and the center sight screw adjusts for elevation/vertical alignment. To make horizontal adjustments, rotate the side slide cover screw clockwise for the shot group to shift right and the opposite for moving the group left.



Figure 5A



Figure 5B

Rotating each screw $\frac{1}{4}$ turn allows for approximately 1" adjustment at 30 yards. For changing the shot group placement in terms of elevation/vertical alignment, the same adjustment standards for windage/horizontal alignment apply. Turn the top center rear sight screw (S013) $\frac{1}{4}$ clockwise to move the sight downward and counterclockwise to move it upward. Moving the sight downward causes the shot group to go down and moving upwards causes it to go up.

CAUTION Springs and sliding parts can pinch skin and loose clothing.

III. FIRING

WARNING Never discharge a firearm without proper shooting glasses and ear protection.

WARNING Never shoot until you are sure of your backstop and what lies beyond it.

WARNING Never shoot at a hard surface, such as a rock, or a liquid surface, such as water, because a bullet may ricochet and travel in any direction, striking you or someone else.

WARNING When firing on a target range, be alert and follow the range officer's commands. Always be aware of other people so that they cannot accidentally walk into the line of fire. Make sure your "audience" is always at least 5 feet behind you, not next to you, when firing.

WARNING Always carry the P17 unloaded while on a range until preparing to fire. Always keep the P17 pointed towards the backstop and/or safe direction when loading, firing, and unloading it.

WARNING After firing several rounds, the exterior metal parts of the P17 get very hot and can cause severe burns if touched.

WARNING The P17 ejects spent cases outwards to the right side of the slide. Even after limited firing those cases are hot and can cause burns if contacting unprotected skin.

WARNING The P17 is a very short firearm. Make sure you have a firm grip of the handle and at no time extend fingers or body parts in the line of fire.

WARNING The P17 has a moving slide. During firing or inspection, make sure fingers or body parts are safe from the path of the slide or any moving mechanical parts.

Once all warnings are understood and implemented, prepare to fire:

1. Center the front sight in between the rear sight notch and align the dot as shown in *Figure 5A*. Take aim at the target while also taking notice of the target's backdrop.
2. Disengage the safety by sweeping the safety lever down with your thumb.
3. Place trigger finger into the trigger guard.
4. **WHEN THE TRIGGER IS PRESSED, THE P17 WILL FIRE.** Slowly squeeze the trigger until a round is fired. Upon firing, the slide moves rearward extracting and ejecting the empty case, and also returns to the forward position feeding another round automatically. Release the trigger and you are ready to fire another round.
5. To fire another round, squeeze the trigger. This sequence can be repeated until the last round has been fired. The slide will automatically lock back after the last round is fired. After the magazine is emptied, sweep the safety lever up to **SAFE** with your thumb.
6. To remove the empty magazine, grab the bottom of the magazine with your non-shooting hand, then press down on either side of the mag release with your thumb or index finger. Pull the magazine out. If you wish to continue firing, insert a loaded magazine, and slap the butt of the magazine to ensure it is fully seated. Then push down the slide release or pull back and release the slide to chamber another round.
7. When you are finished firing, place the firearm on **SAFE**, remove the magazine, and ensure the chamber is empty. Then pull the slide back and **SLOWLY** follow it forward. It is not recommended that you release the slide on its own force on an empty chamber, as this puts extra stress on the slide and barrel where they contact.

IV. UNLOADING

⚠️ WARNING Always make sure the muzzle is pointed in a safe direction when unloading.

1. Safely remove the magazine (step 6 in the Firing section on pg.13).
2. Turn the P17 to the side, visually and physically inspect the chamber, bolt, and magazine well to make sure no cartridges are left in the action.



Figure 6

BE EXTREMELY CAUTIOUS NOT TO MOVE THE SLIDE WHEN IT IS IN THE LOCKED POSITION. AN ACCIDENTAL RELEASE OF THE ACTION CAN CAUSE A SEVERE INJURY

3. Engage the safety (step 7 in the Firing section on pg.13).

BREAKDOWN

I. DISASSEMBLY

⚠ WARNING Never rely on your memory to determine whether the P17 is loaded or unloaded. Always open the action and then visually and physically (with your finger) check to make sure there is not a round in the chamber.

⚠ WARNING Always wear safety glasses when disassembling the P17 to protect your eyes from components that are under pressure, such as springs.

⚠ WARNING If the P17 has been fired, wait a sufficient amount of time for the components to cool before attempting disassembly. Failure to do so may result in burns.

NOTICE For disassembly, the P17 safety lever should be in the **SAFE** position and the firearm should be cleared following the unloading procedure on pg. 14. With the slide locked back, **REMOVE THE THREAD ADAPTER AND INSTALL THE STOCK MUZZLE NUT BEFORE PROCEEDING.**

1. Put the P17 on **SAFE** and pull back the slide and hold in place. Press the buffer downward and then pull the slide back in the furthest position. This will be close to the most rearward part of the frame that is visible. While continuing to hold the buffer down and the slide in the furthest position, lift the slide upward.



Figure 7

2. Now raise the slide by rotating upwards so that the bolt can clear the barrel trunnion (figure 8). Allow the slide to slowly go forward past the barrel thread.



Figure 8

3. This is as far as Kel-Tec CNC Industries, Inc. recommends field stripping the P17. From this point, the cleaning procedure can be implemented if necessary.

⚠️ WARNING Further disassembly should only be performed by a certified gunsmith or Kel-Tec CNC Industries, Inc. Attempting further disassembly may void your warranty.

II. ASSEMBLY

⚠️ WARNING Always wear safety glasses when reassembling the P17 to protect your eyes from springs.

Assembly is essentially disassembly in reverse; however, some steps warrant extra attention.

1. The hammer must be pulled all the way back to the cocked position in order for the slide to be able to fit. Once this is done, place the front of the slide over the barrel thread and slightly pull back so the slide cover clears the barrel trunnion and rests on the flat of the frame.
2. Grip the pistol and place your trigger finger on the buffer. Press the lever all the way down and hold. During this operation slightly pull back the slide and rotate downwards at this time so that the bolt can clear the frame. Align the rails in the frame with the slots on the bolt.
3. Now pull the slide slightly back, while still pressing the buffer, and SLOWLY follow it forward.

III. PROPER CARE

A. Maintenance

⚠️ WARNING Always wear safety glasses when cleaning the P17 to protect your eyes from cleaning materials.

⚠️ WARNING Always make sure that no ammunition is located in the area where you clean the P17. Cleaning solvents can affect the primer and powder in ammunition which cause it to malfunction. This could result in a bullet being pushed into the barrel of the P17 and getting stuck. Firing another round with a bullet stuck in the barrel could cause the barrel to burst and result in death or serious personal injury and/or damage to the P17.

⚠️ WARNING If the P17 has been fired, wait a sufficient amount of time for the components to cool before attempting disassembly. Failure to do so may result in burns.

Your P17 is a precision instrument and will provide a lifetime of faithful service if it is properly cleaned and maintained. It is recommended that you clean your P17 after every shooting session or more frequently if needed.


⚠️ WARNING Be sure to unload your P17 (see Unloading on pg. 10) before performing any cleaning or maintenance procedures.

NOTICE Only use commercially available gun solvent and gun oil or a cleaner-lubricant-preservative. Use of improper cleaning fluids could damage the P17 and void the warranty.

1. Disassemble the P17 (see Disassembly on pg.15).
2. Thoroughly clean all exterior sides of the bolt with solvent and brush.
3. Brush the barrel bore and chamber with a good powder removing solvent and bore brush. Wipe the areas clean with patches or a swab.
4. Using a small brush dipped in solvent, remove all deposits from around the breech of the barrel as well as all adjacent areas that have been subjected to powder or primer residue.
5. Clean the magazines with solvent and brush if needed.

B. Lubrication

After cleaning the entire gun, use a cloth to apply a light coating of high-quality gun oil to all interior and exterior metal surfaces and wipe clean. Manually cycle the action back and forth to check the function of the firearm. If any parts are damaged or badly worn or the firearm does not work correctly, the firearm should not be fired and should be returned to Kel-Tec for servicing immediately.

 **WARNING** Discharging a firearm with oil, grease, or any other material even partially obstructing the bore could result in serious injury, damage to your firearm, and death.

C. Troubleshooting

Proper functioning of your firearm is directly related to proper maintenance and care as well as the quality of ammunition you use. If in the unlikely circumstance your P17 malfunctions, we have included a list of several suggested remedies below.

Failure to Fire (FTFR):

Also known as a dud or misfire. This occurs when the round feeds correctly in the chamber, the trigger is pulled, but the primer in the round is not discharged. Point the barrel of the P17 in a safe direction and engage the safety if possible. If the hammer is down, the safety will not engage. For either scenario, wait at least 1 minute before fully cycling the action and ejecting the round.

- Remove the magazine, eject the round and set aside. Load the magazine and proceed to fire as normal. Fire one round to see if the failure repeats. If it does not, fire a couple more, and if they are without failure the FTFR round that was set aside is a faulty round and should be **DISPOSED OF PROPERLY**. If the FTFR continues to occur with successive rounds then it is likely that a thorough cleaning is required to ensure proper contact between the hammer and the firing pin.

Failure to Feed (FTFD):

This type of failure occurs when the cartridge does not fully seat in the chamber.

- It is most likely that the chamber, feed ramp, recoil spring and/or the magazine/spring need to be cleaned. Properly clean and lubricate the pistol.

Failure to Eject (FTEJ):

When an empty cartridge does not fully exit the pistol but leaves the chamber it is an FTEJ.

- Rotate the P17 and pull back the slide into the locked position. The cartridge should eject and a new round should enter the chamber. Proceed to fire and see if the problem repeats. If so, the chamber and bolt may need to be cleaned.

Failure to Extract (FTEX):

This failure occurs when the spent cartridge is not removed from the chamber.

- A faulty round could expand and get stuck in the chamber. The barrel could also be dirty and require cleaning. Additionally, check the extractor for visible damage and make sure that the spring is working.

In the case of malfunctions beyond the scope of the stated failures,

Contact Kel-Tec Service at: www.keltecweapons.com/contact

CUSTOMER SERVICE

I. SERVICE/ REPAIR



Always make sure the P17 is unloaded before sending it in for service.

If your P17 ever requires adjustment, refinishing or repair, it should be returned to Kel-Tec CNC Industries, Inc.'s service department. The unloaded firearm should be sent prepaid shipping charges to:

Kel-Tec CNC Industries, Inc.
ATTN: Service Department
1505 Cox Road
Cocoa, FL 32926

Contact your chosen carrier to determine its requirements for shipping firearms. In certain states, your firearm may have to be returned to you through a local, federally licensed firearms dealer. Be sure to securely package your firearm and insure it for its full value because Kel-Tec CNC Industries, Inc. is not responsible for firearms lost or damaged during shipment.

To ensure prompt service and handling, include a brief letter including your name, address, telephone number, the serial number of your P17, and what you would like to be done with it, or the issue that you would like addressed. No return authorization number is required. Once your firearm has been received, we will provide a quotation of all charges (unless the repairs are covered by the warranty) and will not begin work until we receive your approval. Charges for adjustments, refinishing, and repairs are payable by money order, Master Card, Visa or American Express. No COD or personal checks are accepted.

II. LIMITED LIFETIME WARRANTY

Subject to the terms, conditions and limitations outlined below, Kel-Tec CNC Industries, Inc. guarantees your P17 against defects in materials and workmanship for the lifetime of the original consumer purchaser.

To make a claim under this warranty, return your P17 pursuant to the instructions above and include a copy of a bill of sale in your name, or a copy of the 4473 form, showing that you are the original consumer purchaser. For repairs that are covered by the warranty, Kel-Tec CNC Industries, Inc. will pay the transportation and insurance charges to return your P17.

A. LIMITATIONS OF WARRANTY

The warranty will be void if any of the following occur:

(1) the instructions in the Instruction Manual are not followed;

(2) the P17 or any of its parts are altered or modified from their original state;

(3) damage is caused by misuse, abuse or improper maintenance; or

(4) the P17 is disassembled beyond the breakdown procedure listed in the Instruction Manual.

There are no warranties which extend beyond the description on the face hereof.

The sole and exclusive remedy pursuant to this warranty is the repair or replacement of the P17, at the sole discretion of Kel-Tec CNC Industries, Inc.

The implied warranties of merchantability and fitness for a particular purpose are expressly disclaimed.

All disclaimers and limitations of liability shall still apply even if the limited remedy of repair and replacement fails of its essential purpose.

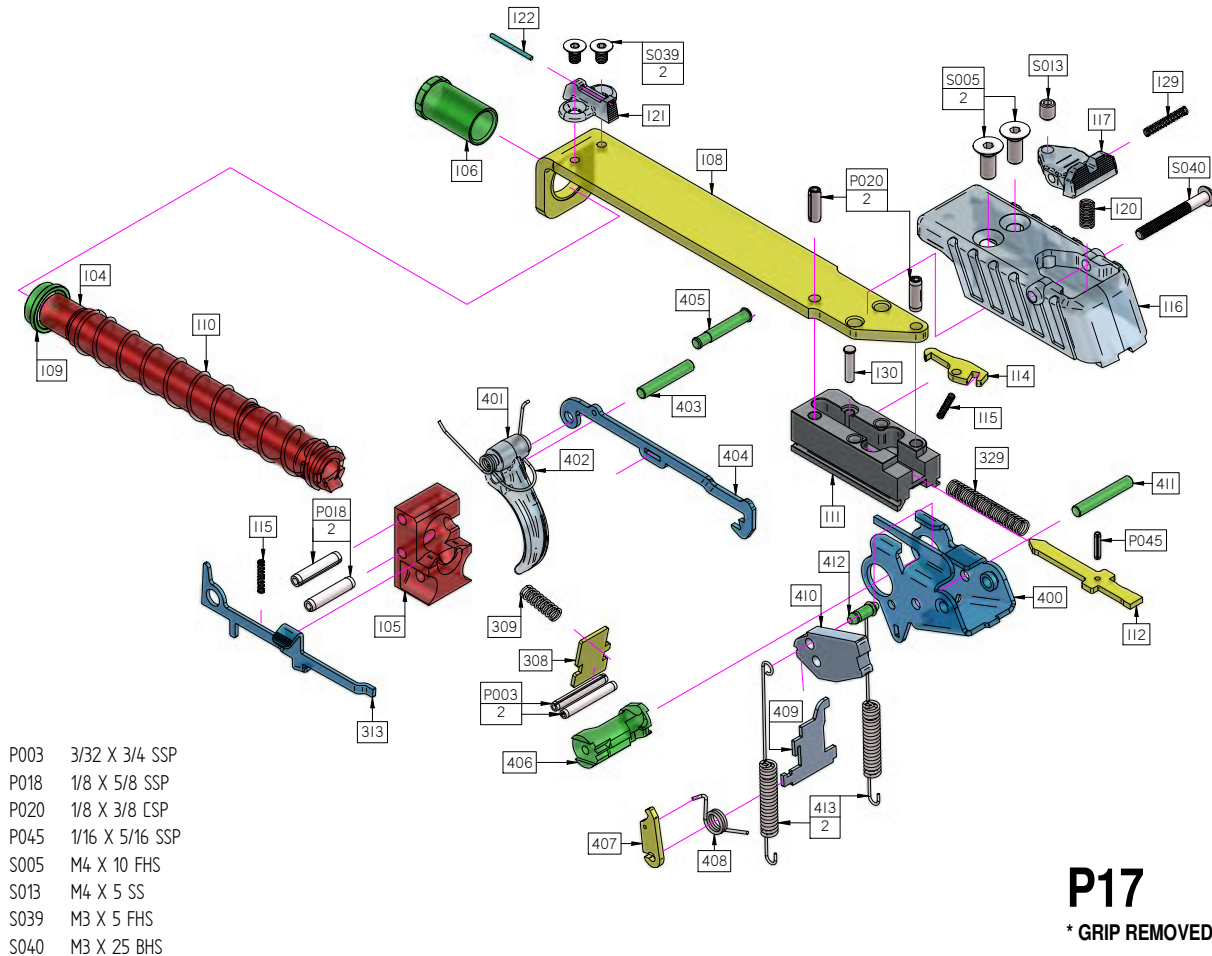
In States where permitted, Kel-Tec CNC Industries, Inc. assumes no liability for incidental or consequential damage or for incidental expenses.

Any action against Kel-Tec CNC Industries, Inc. based on an alleged breach of this warranty must be brought within one (1) year of the claimed breach.

Kel-Tec CNC Industries, Inc.'s liability for breach of warranty shall be limited to repair or replacement of the P17, at the sole discretion of Kel-Tec CNC Industries, Inc.

The P17 is a dangerous firearm. The purchaser assumes all liability resulting from unsafe handling or any action that constitutes a violation of any applicable laws or regulations. Kel-Tec will not be responsible for injuries or damages resulting from careless handling, unauthorized or unsafe adjustments or modifications, the use of non-standard, defective, or improper ammunition, the use of incompatible or improperly installed accessories, corrosion, neglect, fire damage, water damage, theft, abuse, ordinary wear and tear, or unreasonable use of the P17. Under no circumstances shall Kel-Tec be responsible for incidental or consequential damages with respect to economic loss or injury or property damage, whether as a result of breach of express or implied warranty, negligence or otherwise.

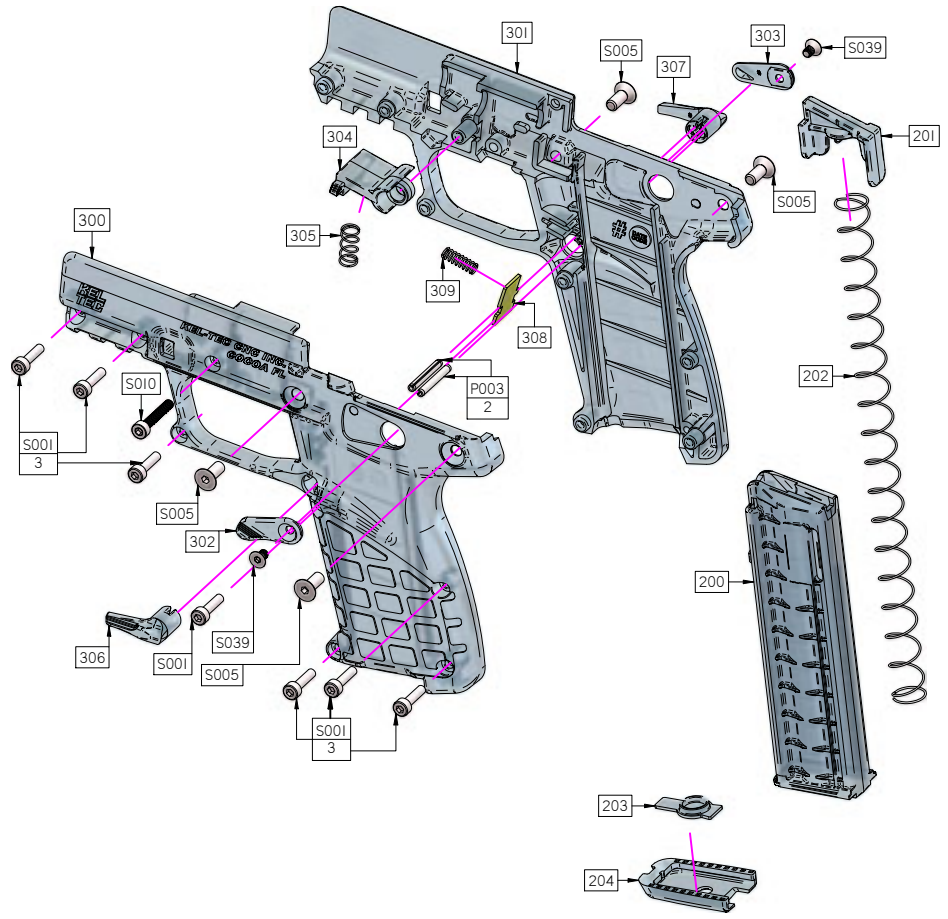
- 104 BARREL
- 105 TRUNNION
- 106 MUZZLE NUT
- 108 SLIDE
- 109 SLIDE BUSHING
- 110 RECOIL SPRING
- 111 BOLT
- 112 FIRING PIN
- 114 EXTRACTOR
- 115 EXTRACTOR SPRING
- 116 SLIDE COVER
- 117 REAR SIGHT
- 120 REAR SIGHT ELEVATION SPRING
- 121 FRONT SIGHT
- 122 FRONT SIGHT FIBER
- 129 WINDAGE SPRING
- 130 EXTRACTOR PIN
- 308 MAGAZINE CATCH
- 309 MAGAZINE CATCH SPRING
- 313 SLIDE STOP
- 329 FIRING PIN SPRING
- 400 FRAME
- 401 TRIGGER
- 402 TRIGGER SPRING
- 403 TRIGGER AXIS
- 404 TRIGGER BAR
- 405 TRIGGER BAR AXIS
- 406 SAFETY
- 407 SAFETY SNAP
- 408 SAFETY SNAP SPRING
- 409 SEAR
- 410 HAMMER
- 411 HAMMER AXIS
- 412 HAMMER SPRING AXIS
- 413 HAMMER SPRING



P17

* GRIP REMOVED

- 200 MAGAZINE BODY
- 201 MAGAZINE FOLLOWER
- 202 MAGAZINE SPRING
- 203 MAGAZINE LOCK PLATE
- 204 MAGAZINE BOTTOM PLATE
- 300 GRIP LEFT
- 301 GRIP RIGHT
- 302 SAFETY LEVER LEFT
- 303 SAFETY LEVER RIGHT
- 304 BUFFER
- 305 BUFFER SPRING
- 306 MAGAZINE RELEASE LEFT
- 307 MAGAZINE RELEASE RIGHT
- 308 MAGAZINE CATCH
- 309 MAGAZINE CATCH SPRING
- P003 3/32 X 3/4 SSP
- S001 M3 X 12 SHS
- S005 M4 X 10 FHS
- S010 M3 X 18 SHS
- S039 M3 X 5 FHS



KELTEC®



1505 Cox Rd Cocoa FL 32926
p: 800.515.9983 f: 321.631.1169
e: info@keltecweapons.com



KELTECWEAPONS.COM