

OPERATING INSTRUCTIONS

Kahr® Semi-Auto Double Action Only (DAO) Pistols



PREMIUM SERIES STEEL FRAME MODELS: T, K & MK
POLYMER FRAME MODELS: P & PM

S SERIES POLYMER FRAME MODELS: ST & S

VALUE SERIES POLYMER FRAME MODELS: CT, CW & CM

WARNING!

READ AND FULLY UNDERSTAND THIS MANUAL BEFORE REMOVING THIS FIREARM FROM ITS PACKAGE.

THIS PISTOL WILL FIRE IF THE TRIGGER IS PULLED!

IT SHOULD BE CONSIDERED LOADED AND READY TO FIRE UNTIL THE MAGAZINE HAS BEEN REMOVED AND THE CHAMBER HAS BEEN CHECKED TO VERIFY THAT THE FIREARM IS UNLOADED.

BE SURE TO READ AND FULLY UNDERSTAND ALL "IMPORTANT SAFETY INSTRUCTIONS" SHOWN IN RED TYPE. DISCHARGING FIREARMS IN POORLY VENTILATED AREAS, CLEANING FIREARMS, OR HANDLING AMMUNITION MAY RESULT IN EXPOSURE TO LEAD OR OTHER SUBSTANCES KNOWN TO THE STATE OF CALIFORNIA TO CAUSE BIRTH DEFECTS, REPRODUCTIVE HARM, AND OTHER SERIOUS PHYSICAL INJURY. HAVE ADEQUATE VENTILATION AT ALL TIMES. WASH HANDS THOROUGHLY AFTER EXPOSURE.

KAHR[®]
ARMS

Kahr Arms
Parts & Accessories Ordering
FAX: 570-685-2222

Website: WWW.KAHR.COM

Contents	Page
GENERAL INSTRUCTIONS	2
GENERAL DESCRIPTION	3
PRIMARY FEATURES	3
KAHR MODEL LEGEND	3
TECHNICAL DATA / PARTS LISTING (T, K, MK Series)	4
PARTS SCHEMATIC (T, K, MK Series)	5
TECHNICAL DATA / PARTS LISTING (P, PM Series)	6
PARTS SCHEMATIC (P, PM Series)	7
TECHNICAL DATA / PARTS LISTING (CT, CW, CM Series)	8
PARTS SCHEMATIC (CT, CW, CM Series)	9
TECHNICAL DATA / PARTS LISTING (P380 w/ LCI)	10
PARTS SCHEMATIC (P380 w/ LCI)	11
TECHNICAL DATA / PARTS LISTING (ST & S Series)	12
PARTS SCHEMATIC (ST & S Series)	13
HOW THE KAHR PISTOL FUNCTIONS	14
SIGHTS & SIGHT ADJUSTMENT	15
LOADING & FIRING	16
UNLOADING	17
BREAK-IN PERIOD	17
DISASSEMBLY & REASSEMBLY	17
MAGAZINE DISASSEMBLY, MAINTENANCE & REASSEMBLY	22
CHECKING SAFETY DEVICES	23
KAHR LOADED CHAMBER INDICATOR (LCI) MODEL	23
CLEANING & LUBRICATION	24
TRIGGER LOCK ASSEMBLY	24
NOTES ON RELIABILITY	25
WARRANTY & LIABILITY EXCLUSIONS	26
SHIPPING FIREARMS FOR SERVICE	26
SERVICE ASSISTANCE	27
WARRANTY STATEMENT	Back Cover

GENERAL INSTRUCTIONS

Always assume that the KAHR® Pistol or any other firearm is loaded and capable of being discharged until you, the handler, have personally verified that it isn't loaded. Until you have completed the unloading procedure as presented on page 17, the firearm should be considered loaded and capable of being fired.

Never transport a loaded firearm.

To reduce the possibility of an accidental discharge, do not place your finger on the Trigger until the firearm is pointed at the target and you intend to fire. When handling, carrying or holstering the pistol be sure that the Trigger cannot be snagged by a foreign object. This can discharge the pistol.

If you don't want the firearm to fire, keep your finger off the Trigger.

When firing, avoid obstructing the path of the slide. Failing to do so could result in injury.

Before using the KAHR® Pistol, completely read and fully understand the operating instructions and safety information in this manual. If you have difficulty understanding anything in this manual, call Kahr Technical Support at (508) 795-3919 or seek qualified instruction in the safe use of the KAHR® Pistol and other handguns.

Any firearm, including the KAHR® Pistol, is a dangerous device. All firearms must be safely stored to prevent access by unauthorized persons, especially children.

Always store ammunition separately from firearms.

This manual is applicable only to the KAHR® Pistol with which it was included. All instructions, warnings and precautions may not be applicable to any other make or model.

For all sales contracts with KAHR®, the place of jurisdiction shall be Pennsylvania, and Pennsylvania State Law shall be applicable.

KAHR, K9, K40, MK9, MK40, P40, P45, PM9, PM40, PM45, P380, CT9, CT40, CT45, CT380, CW9, CW40, CW45, CW380, CM40, CM45 are the registered trademarks of Kahr Arms and may not be used without permission.

**The Kahr Pistol is covered by
U.S. Patent: #6,401,379**

GENERAL DESCRIPTION

The KAHR® self-loading pistol, incorporates the key features most desired in a personal defensive handgun:

- Low overall weight
- Extremely compact size
- Outstanding quality of materials and workmanship

The KAHR® Pistol is a mechanically-locked, recoil operated pistol with an automatic striker block and a trigger-cocking (D/A Only) action.

When firing, each round is automatically loaded until the magazine is empty. The Slide is then held open by the Slide Stop Lever.

PRIMARY FEATURES

The KAHR® Pistol Trigger System allows the shooter to quickly bring the pistol into action.

The Striker is automatically held under partial tension after each round and is fully secured by a passive Striker Block until the Trigger is fully depressed.

The Slide Stop Lever and the Magazine Catch are easily operated with the shooting hand.

The KAHR® Pistol frame is uniquely designed to position the shooting hand as close to the center line of the bore as possible. This provides the benefit of greater control and a perceived reduction in felt recoil.

High quality materials and sophisticated computerized manufacturing technology employed in the construction of the KAHR® Pistol assure superior quality and unfailing reliability.

Technical specifications may be altered without notice.

KAHR® MODEL LEGEND

TP*: Polymer Frame, 3.965"-4.04" Barrel

KP: Polymer Frame, 3.54"-3.6" Barrel
2.53" Barrel (.380 ACP Models)

KPC: Polymer Frame, 3.1" Barrel

PM: Polymer Frame, 3.1"-3.24" Barrel

KT: Steel Frame, 3.965"-4.0" Barrel

K: Steel Frame, 3.465"-3.5" Barrel

M: Steel Frame, 3.0"-3.1" Barrel

CT: Polymer Frame, 4.0" Barrel
3.0" Barrel (.380 ACP Models)

CW: Polymer Frame, 3.565"-3.64" Barrel
2.58" Barrel (.380 ACP Models)

CM: Polymer Frame, 3.0"-3.14" Barrel

ST: Polymer Frame, 4.0" Barrel

S: Polymer Frame, 3.6" Barrel

* Discontinued

1st Three Numbers

454: .45 ACP

414: .40 S&W (with External Safety & LCI)*

404: .40 S&W

919: 9mm (with External Safety & LCI)*

909: 9mm

383: .380 ACP

382: .380 ACP (with LCI)

* Discontinued

4th Number

0: Carbon Steel, Black Oxide*

1: Carbon Steel, Nickel Finish*

2: Carbon Steel, Black T Finish*

3: Matte Stainless Steel

4: Blackened Stainless Steel

6: Polished Stainless Steel, Elite 98*

8: Polished Stainless Steel, Elite2003* & Elite 18

* Discontinued

Letters at end

A: Inventory management nomenclature that currently has no meaning and is no longer applicable.

N: Tritium Night Sights

Technical Data: T, K, MK Series

Operation:

Locked breech, modified "Browning-type" recoil lug

Safety Systems:

Trigger cocking (DA) only, passive striker block.

No magazine disconnect or external manual safeties.

Ammunition:

9mm (9x19 Para)

Trigger Weight:

Approx. 7 pounds

Sights:

Drift-adjustable, white bar-dot combat sights

Drift-adjustable, TruGlo® night sights (Night Sight Models)

Length O/A:

6.5" (T9) / 6.0" (K9®) / 5.3" (MK9®)

Barrel :

3.965", 1-10 RH twist, polygonal rifling (T9)

3.465", 1-10 RH twist, polygonal rifling (K9®)

3.0", 1-10 RH twist, polygonal rifling (MK9®)

Grips:

Checkered Hogue® Pau Ferro wood grips (T Series)

Wraparound textured Hogue® rubber grips (K Series)

Wraparound, textured nylon (MK Series)

Material:

Stainless steel

Finish:

Matte stainless steel, Blackened stainless steel

Polished stainless (Elite models)

Standard Equipment

- Protective Polymer Case, 3 Magazines, Trigger Lock

Parts List

Key #	Part Name
1.	Frame
2.	Barrel
3.	Slide
4.	Slide Back
5.	Recoil Spring
6.	Recoil Spring Guide
6a.	Recoil Spring Assembly (MK)
7.	Striker Block
8.	Striker Block Spring
9.	Trigger
10.	Trigger Spring
11.	Trigger Spacer
12.	Trigger Pivot Pin
13.	Trigger Bar
14.	Trigger Bar Spring
15.	Cocking Cam
16.	Cocking Cam Spring
17.	Magazine Catch Body
18.	Magazine Catch Spring
19.	Magazine Catch Lock Pin
20.	Striker
21.	Striker Spacer
22.	Striker Spring
23.	Striker Spring Guide
24.	Extractor
25.	Extractor Pin - Front
26.	Extractor Spring
27.	Extractor Pin - Back
28.	Slide Stop
29.	Slide Stop Spring
30.	Slide Stop Spring Screw
31.	Ejector
32.	Cocking Cam Pivot Pin
33.	Rear Sight
33a.	Rear Night Sight
34.	Front Sight
34a.	Front Night Sight
35.	Magazine Tube
36.	Magazine Spring
37.	Magazine Base Lock
38.	Magazine Base
39.	Magazine Follower
40.	Grip Screws (4)
41.	Grips (left & right)

Important Safety Information

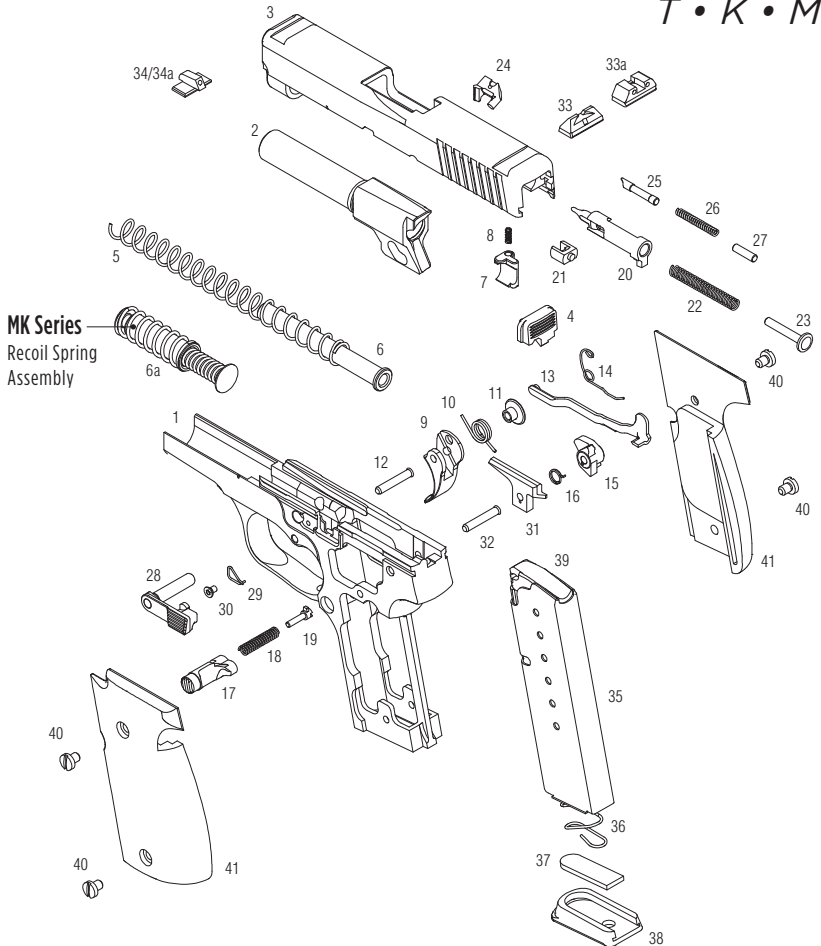
The following warning, required by the Massachusetts Attorney General pursuant to 940 CMR 16.06(1), must be included with every handgun sold in the Commonwealth of Massachusetts after January 15, 1998 unless the handgun has a passive use limitation device.

WARNING FROM THE MASSACHUSETTS ATTORNEY GENERAL:

This handgun is not equipped with a device that fully blocks use by unauthorized users. More than 200,000 firearms like this one are stolen from their owners every year in the United States. In addition there are more than a thousand suicides each year

PREMIUM SERIES STEEL FRAME MODELS

T • K • MK



by younger children and teenagers who get access to firearms. Hundreds more die from accidental discharge. It is likely that many more children sustain serious wounds or inflict such wounds accidentally on others. In order to limit the chance of such misuse, it is imperative that you keep this weapon locked in a secure place and take other steps necessary to limit

the possibility of theft or accident. Failure to take reasonable preventive steps may result in innocent lives being lost and, in some circumstances may result in your liability for these deaths."

Technical Data: P & PM Series

Operation:

Locked breech, modified "Browning-type" recoil lug

Safety Systems:

Trigger cocking (DA) only, passive striker block.
No magazine disconnect or external manual safeties.

Ammunition:

.380 ACP / 9mm (9x19 Para) / .40 S&W / .45 ACP

Trigger Weight:

Approx. 7 pounds

Sights:

Drift-adjustable, white bar-dot combat sights
Drift-adjustable, TruGlo® night sights (Night Sight Models)

Length O/A:

4.9" (P380®) / 5.8" (P9) / 5.42" (PM9®) / 6.1" (P40®) / 5.47" (PM40®) /
6.07" (P45®) / 5.79" (PM45®)

Barrel:

2.53", 1-16 RH twist, polygonal rifling (P380®)
3.565", 1-10 RH twist, polygonal rifling (P9)
3.1", 1-10 RH twist, polygonal rifling (PM9®)
3.6", 1-16 RH twist, polygonal rifling (P40®)
3.1", 1-16 RH twist, polygonal rifling (PM40®)
3.54", 1-16.38 RH twist, polygonal rifling (P45®)
3.24", 1-16.38 RH twist, polygonal rifling (PM45®)

Grip: Textured polymer

Slide Material: Stainless steel

Slide Finish:

Matte stainless steel, Blackened stainless steel, Cerakoted
stainless steel

Standard Equipment

• Protective Polymer Case, 3 magazines, Trigger Lock

Parts List

Key

Key #	Part Name
1.	Frame
2.	Barrel
3.	Slide
4.	Slide Back
5.	Recoil Spring (P)

Key

Part Name

5.	Recoil Spring (P380 Outer)
5a.	Recoil Spring (P380 Inner)
5.	Recoil Spring (PM)
6.	Recoil Spring Guide (P)
6.	Recoil Spring Guide (P380)
6.	Recoil Spring Guide Assembly (PM)
7.	Striker Block
8.	Striker Block Spring
9.	Trigger
10.	Trigger Spring
11.	Trigger Spacer
12.	Trigger Pivot Pin
13.	Trigger Bar
14.	Trigger Bar Spring
15.	Cocking Cam
16.	Cocking Cam Spring
17.	Magazine Catch Body
18.	Magazine Catch Leaf Spring
20.	Striker
21.	Striker Spacer
22.	Striker Spring
23.	Striker Spring Guide
24.	Extractor
25.	Extractor Pin - Front
26.	Extractor Spring
27.	Extractor Pin - Back
28.	Slide Stop
29.	Slide Stop Spring
30.	Slide Stop Spring Screw & Washer
31.	Ejector
32.	Cocking Cam Pivot Pin
33.	Rear Sight
33a.	Rear Night Sight
34.	Front Sight
34a.	Front Night Sight
35.	Magazine Tube
36.	Magazine Spring
37.	Magazine Base Lock
38.	Magazine Base
39.	Magazine Follower
40.	Side Panel
41.	Side Panel Screw
41a.	Side Panel Screws for P380 (2)

Important Safety Information

Caution:

Law enforcement, military personnel and certain individuals may choose, for self defense purposes, to disregard or override several of the following safety instructions. To assure safety under these special situations, proper initial combat oriented training with periodically scheduled retraining, which stresses safe tactical procedures, is strongly recommended.

Caution:

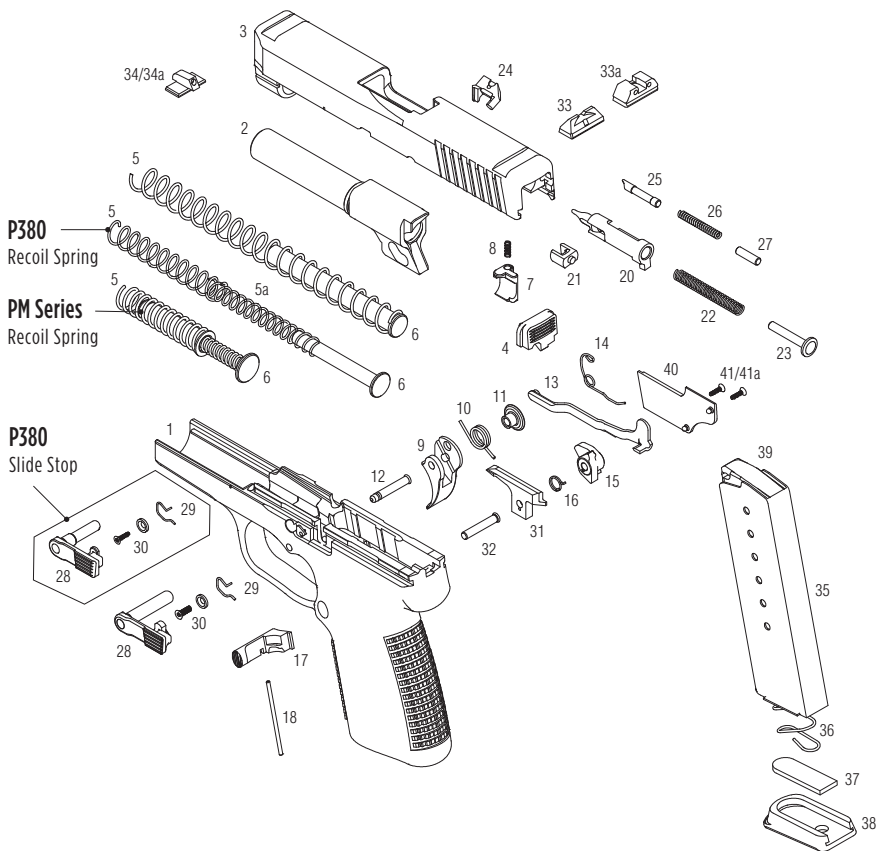
Failure to observe safety instructions in this manual can result in property damage, personal injury or death.

Caution:

Prior to loading and firing, carefully read and understand this instruction manual. It gives basic advice on the proper handling and functioning of the Kahr Pistol.

PREMIUM SERIES POLYMER FRAME MODELS

P • PM (Except P380 with LCI, see page 10)



Caution:

Your safety and the safety of your family and others depends on your safe and mature adoption, development and consistent employment of SAFE FIREARMS HANDLING PRACTICES.

If you are unfamiliar with firearms, seek further advice through safe handling courses run by your local gun clubs, approved instructor, or similar qualified organizations.

Warning:

It is possible that a live round may remain in the chamber when the Magazine has been removed or inserted. Any round in the chamber will discharge upon pulling the Trigger regardless of whether the Magazine is inserted or removed. Therefore, never leave the pistol unattended, even if the Magazine is removed and exercise extreme caution after removing the Magazine.

Technical Data: CT, CW, CM Series

Operation:

Locked breech, modified "Browning-type" recoil lug

Safety Systems:

Trigger cocking (DA) only, passive striker block.

No magazine disconnect or external manual safeties.

Ammunition:

.380 ACP / 9mm (9x19 Para) / .45 ACP

Trigger Weight:

Approx. 7 pounds

Sights:

Drift adjustable white bar-dot rear sight, pinned in polymer front sight / Drift adjustable white bar-dot rear sight, front Tritium night sight (Night Sight Models) / Drift adjustable white two-dot rear sight, pinned in polymer front sight (Custom Models)

Length O/A:

5.52" (CT380®) / 4.96" (CW380®) / 6.5" (CT9®) / 5.9" (CW9®) / 5.42" (CM9®) / 6.6" (CT45®) / 6.32" (CW45®) / 5.79" (CM45®)

Barrel:

3.0", 1-16 RH twist, conventional rifling (CT380®)

2.58", 1-16 RH twist, conventional rifling (CW380®)

4.0", 1-10 RH twist, conventional rifling (CT9®)

3.565", 1-10 RH twist, conventional rifling (CW9®)

3.1", 1-10 RH twist, conventional rifling (CM9®)

4.0", 1-16.38 RH twist, conventional rifling (CT45®)

3.64", 1-16.38 RH twist, conventional rifling (CW45®)

3.14", 1-16.38 RH twist, conventional rifling (CM45®)

Grip: Textured polymer

Slide Material: Stainless steel

Slide Finish:

Matte stainless steel, Cerakoted stainless steel

Standard Equipment

- Cardboard Case, 1 Magazine, Trigger Lock

Parts List

Key

1.	Frame
2.	Barrel
3.	Slide

Part Name

Key #	Part Name
4.	Slide Back
5.	Recoil Spring (CT & CW)
5.	Recoil Spring (CM)
5.	Recoil Spring (CT380 & CW380 Outer)
5a.	Recoil Spring (CT380 & CW380 Inner)
6.	Recoil Spring Guide (CT & CW)
6.	Recoil Spring Guide (CT380 & CW380)
6.	Recoil Spring Guide Assembly (CM)
7.	Striker Block
8.	Striker Block Spring
9.	Trigger
10.	Trigger Spring
11.	Trigger Spacer
12.	Trigger Pivot Pin
13.	Trigger Bar
14.	Trigger Bar Spring
15.	Cocking Cam
16.	Cocking Cam Spring
17.	Magazine Catch Body
18.	Magazine Catch Leaf Spring
20.	Striker
21.	Striker Spacer
22.	Striker Spring
23.	Striker Spring Guide
24.	Extractor
25.	Extractor Pin - Front
26.	Extractor Spring
27.	Extractor Pin - Back
28.	Slide Stop
29.	Slide Stop Spring
30.	Slide Stop Spring Screw & Washer
31.	Ejector
32.	Cocking Cam Pivot Pin
33.	Rear Sight
33a.	Rear White Two-Dot Sight (Custom Models)
34.	Polymer Front Sight
34a.	Front Tritium Night Sight
35.	Magazine Tube
36.	Magazine Spring
37.	Magazine Base Lock
38.	Magazine Base
39.	Magazine Follower
40.	Side Panel
41.	Side Panel Screw
41a.	Side Panel Screws for CT380 & CW380 (2)

Important Safety Information

You must personally verify that the chamber is empty before field-stripping the firearm for cleaning or any other reason. Keep trigger guard clear when operating the Slide.

Warning:

If the Kahr Pistol or any other firearm is carelessly or improperly handled, the user could cause an unintentional discharge which could result in death, serious injury, and/or property damage.

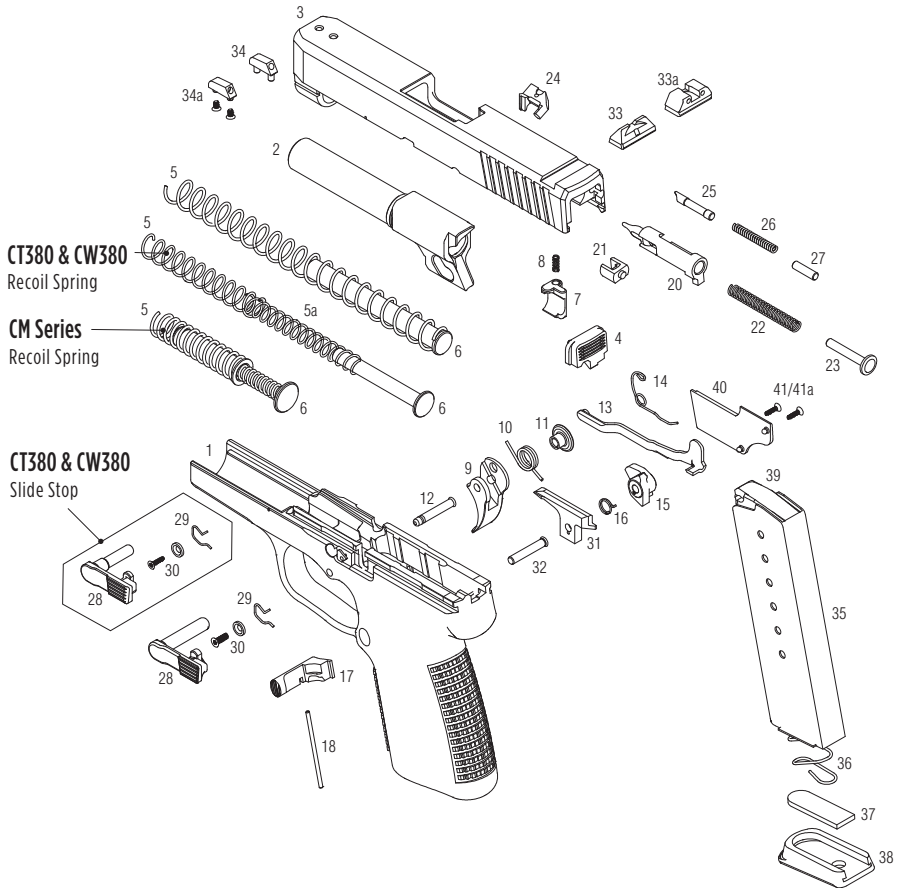
Caution:

This Kahr product is classified by the Bureau of Alcohol, Tobacco and Firearms as a firearm or dangerous weapon. It is therefore, potentially lethal!

Read this entire instruction manual carefully. It is essential to follow the safety instructions for your safety and the safety of others.

VALUE SERIES POLYMER FRAME MODELS

CT • CW • CM



Warning:

The Kahr Pistol has several design features and internal mechanical safeties designed to prevent accidental discharges in the event that the pistol is dropped or receives a severe blow.

Like any mechanical device, when subjected to extreme forces not normally encountered in sporting, law enforcement, or military use, a part

failure can occur. Therefore, extra care and strict adherence to the safety instructions and other instructions contained in this manual are mandatory to minimize the risk of accidents.

Technical Data: P380® w/ LCI Model

Operation:

Locked breech, modified "Browning-type" recoil lug

Safety Systems:

Trigger cocking (DA) only, passive striker block.
No external safety lever. Magazine disconnect.

Ammunition:

.380 ACP

Trigger Weight:

Approx. 7 pounds

Length O/A:

4.9"

Barrel:

2.53", 1-16 RH twist, polygonal rifling

Sights:

Drift-adjustable, white bar-dot combat sights
Drift-adjustable, Tritium night sights

Grip: Textured polymer

Slide Material: Stainless steel

Slide Finish:

Matte stainless steel

Standard Equipment

• Protective Polymer Case, 2 Magazines, 1 Disassembly Tool,
Trigger Lock

Parts List

Key #	Part Name
1	Frame
2	Barrel
3	Slide
4	Slide Back
5	Recoil Spring
5a	Recoil Spring (Inner)
6	Recoil Spring Guide
7	Striker Block
8	Striker Block Spring
9	Trigger
10	Trigger Spring
11	Trigger Spacer
12	Trigger Pivot Pin

Key #	Part Name
13	Trigger Bar
14	Trigger Bar Spring
15	Cocking Cam
16	Cocking Cam Spring
17	Magazine Catch Body
18	Magazine Catch Leaf Spring
20	Striker
21	Striker Spacer
22	Striker Spring
23	Striker Spring Guide
24	Extractor
25	Extractor Pin - Front
26	Extractor Spring
27	Extractor Pin - Back
28	Slide Stop
29	Slide Stop Spring
30	Slide Stop Spring Screw & Washer
31	Ejector
32	Cocking Cam Pivot Pin
33	Rear Sight
33a	Rear Tritium Night Sight
34	Front Sight
34a	Front Tritium Night Sight
35	Magazine Tube
36	Magazine Spring
37	Magazine Base Lock
38	Magazine Base
39	Magazine Follower
40	Side Panel
41	Side Panel Screws (2)
65	LCI Body
66	LCI Spring
67	LCI Pivot Pin
68	Magazine Disconnect
69	Magazine Disconnect Spring
70	Spring Retaining Pin

Important Safety Information

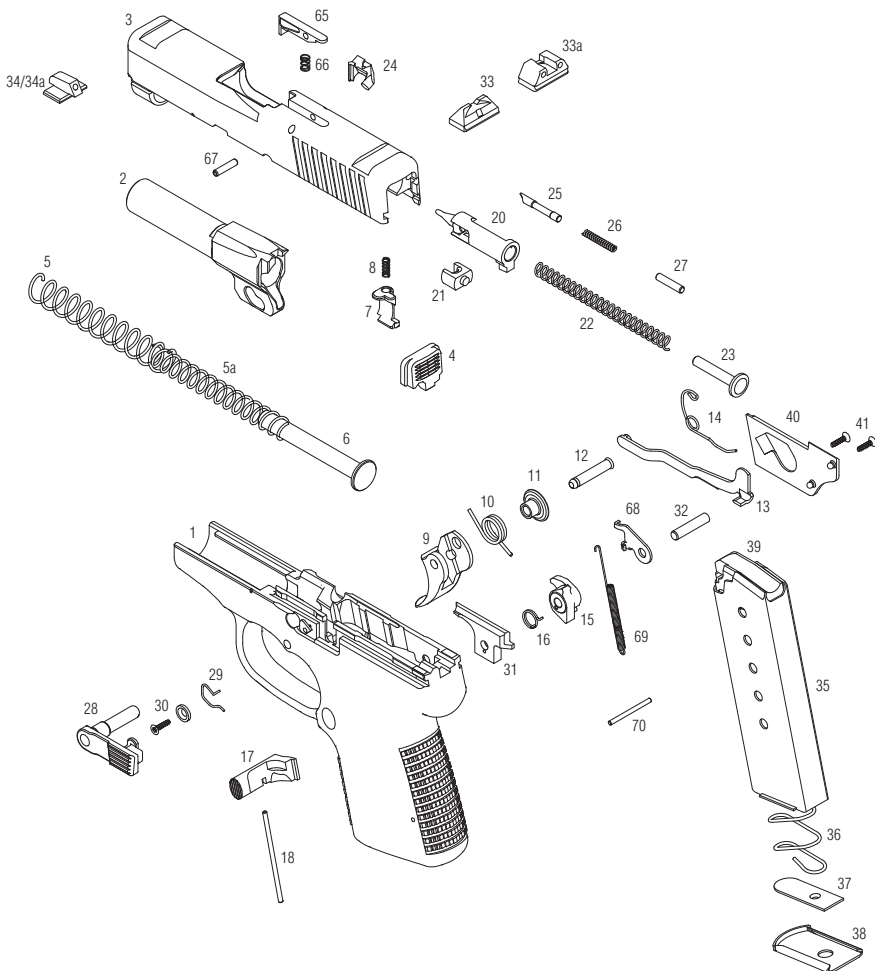
Caution:

The proper and safe function of the Kahr Pistol cannot be assured if any parts have been altered or modified.

Warning:

Always keep the firearm unloaded until you are ready to shoot. When the firearm is loaded do not touch the trigger unless you intend to fire!

KAHR P380® with LCI (Loaded Chamber Indicator)



Warning:

If the KAHR Pistol appears to be operating improperly for any reason, danger of an unintentional discharge exists. The firearm must be immediately unloaded and not used until it is repaired. Make sure that the pistol is properly repaired and checked by KAHR ARMS or an authorized gunsmith before using it again.

Safety Rules:

1. Always handle any firearm as if it were loaded to avoid unintended discharges.
2. Never point any firearm at anything you do not intend to shoot.
3. Never take anyone's word that any firearm is unloaded. Check for yourself, with fingers off the Trigger, and the firearm pointed in a safe direction.

Technical Data: ST & S Series

Operation:

Locked breech, modified "Browning-type" recoil lug

Safety Systems:

Trigger cocking (DA) only, passive striker block.

No magazine disconnect or external manual safeties.

Ammunition:

9mm (9x19 Para)

Trigger Weight:

Approx. 7 pounds

Sights:

Drift adjustable white two-dot rear sight, pinned in polymer front sight

Length O/A:

6.5" (ST9) / 5.9" (S9)

Barrel:

4.0", 1-10 RH twist, conventional rifling (ST9)

3.6", 1-10 RH twist, conventional rifling (S9)

Grip: Textured polymer

Slide Material: Stainless steel

Slide Finish:

Matte stainless steel

Standard Equipment

- Cardboard Case, 2 magazines, Trigger Lock

Parts List

Key #	Part Name
1.	Frame
2.	Barrel
3.	Slide
4.	Slide Back
5.	Recoil Spring
6.	Recoil Spring Guide
7.	Striker Block
8.	Striker Block Spring
9.	Trigger
10.	Trigger Spring
11.	Trigger Spacer
12.	Trigger Pivot Pin
13.	Trigger Bar
14.	Trigger Bar Spring
15.	Cocking Cam
16.	Cocking Cam Spring
17.	Magazine Catch Body
18.	Magazine Catch Leaf Spring
20.	Striker
21.	Striker Spacer
22.	Striker Spring
23.	Striker Spring Guide
24.	Extractor
25.	Extractor Pin - Front
26.	Extractor Spring
27.	Extractor Pin - Back
28.	Slide Stop
29.	Slide Stop Spring
30.	Slide Stop Spring Screw & Washer
31.	Ejector
32.	Cocking Cam Pivot Pin
33.	Rear White Two-Dot Sight
34.	Polymer Front Sight
35.	Magazine Tube
36.	Magazine Spring
37.	Magazine Base Lock
38.	Magazine Base
39.	Magazine Follower
40.	Side Panel
41.	Side Panel Screw

Important Safety Information

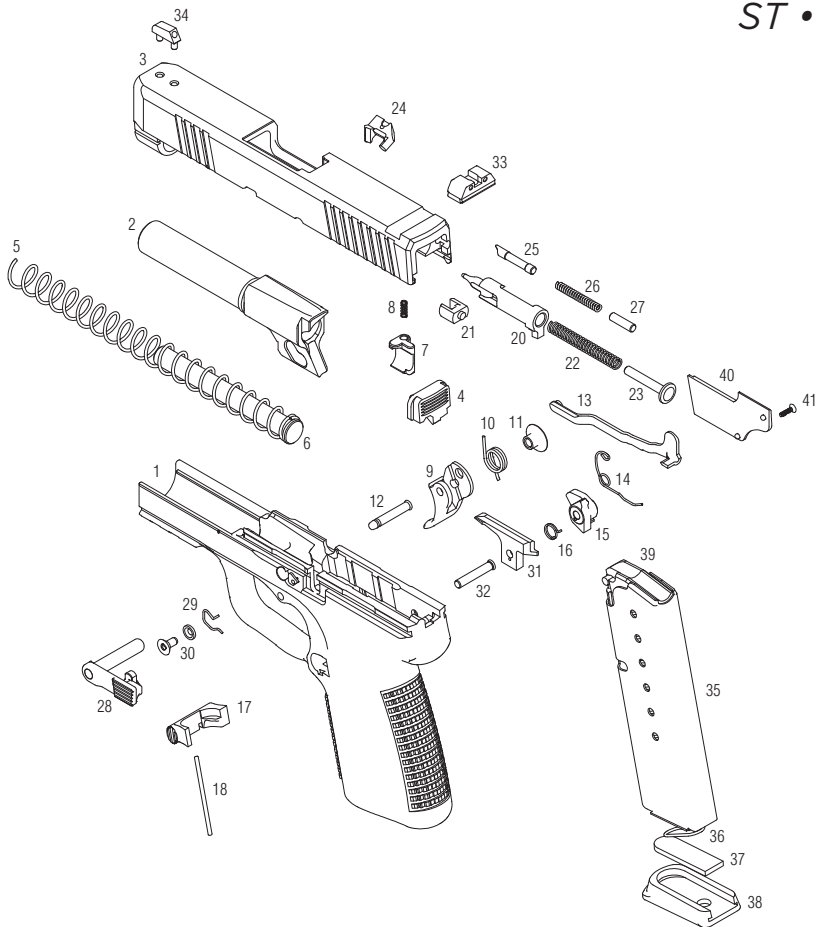
4. Always be sure barrel and action are clear of obstructions. First remove the Magazine and unload the pistol, then clear obstructions immediately so that firearm will function correctly and safely.

5. Never squeeze the Trigger or put your finger in the Trigger guard until you are aiming at the target you intend to shoot.

6. Never store a loaded firearm. Unload the KAHR Pistol as described on page 17. After verifying that the firearm is empty and Magazine out, point the firearm in a safe direction and pull the Trigger. Store the KAHR Pistol in the provided container in this condition only.

S SERIES POLYMER FRAME MODELS

ST • S



7. Never shoot at a hard surface, such as a rock, or a liquid surface, such as water. A bullet may ricochet and travel in any direction to strike you or an object that you cannot see.

8. Always be sure your backstop is adequate to stop and contain bullets before shooting so that you do not hit anything outside the range area.

9. Always be sure of your target and the area behind it before you shoot. A bullet can travel through or past your target up to 1 mile. If in doubt, do not shoot.

10. Always put a responsible and competent person in charge to maintain safety and discipline when a group is firing on a range to reduce the likelihood of accidents.

HOW THE KAHR® PISTOL FUNCTIONS

FOR TESTING FUNCTION, ALWAYS USE AN UNLOADED PISTOL WITH AN EMPTY CHAMBER AND WITHOUT THE MAGAZINE INSERTED. (as described immediately below)

1. Without placing finger on the Trigger, remove the empty Magazine by pushing the Magazine Catch on the front of the left grip (see photo #3 on page 16) and pulling the Magazine. Make sure that there is no round in the chamber by pulling the Slide fully to the rear and carefully checking that the chamber and bore are empty. The pistol is now unloaded with the Magazine out.

2. Letting it run forward. The pistol is now partially cocked, i.e. the Striker spring is partially tensioned. The Trigger is fully forward.

The following describes the functioning of the KAHR® Pistol when it is loaded and fired.

As the Trigger is pulled (pressed to the rear), the internal passive Striker Block is released, i.e. a protrusion on the cocking cam lifts the Striker Block so that it no longer blocks the Striker from moving forward past the breech face to fire a chambered round. Simultaneously with this action, the Cocking Cam pulls the Striker back from partially tensioned to a fully cocked position under full spring tension. Completing the rearward pull of the Trigger allows the Cocking Cam to release the Striker. With the Striker Block lifted, the Striker is free to move fully forward to contact and fire the cartridge.

The recoil impulse of the fired cartridge moves the Barrel and Slide backwards. After the Slide and Barrel move rearward, the camming action of the recoil lug of the Barrel and the Slide Stop in the Frame pulls the rear of the Barrel down to unlock it from the Slide. Unlocked, the Slide continues fully to the rear of its travel. During this rearward travel, the cartridge is pulled out of the chamber by the Extractor and is then thrown out to the right by the Ejector.

A ramp in the Slide rails disengages the Trigger Bar from the Cocking Cam. This allows the Cocking Cam to reset itself and reactivates the Striker Block.

The Recoil Spring begins to move the Slide forward toward its original locked position.

As the Slide moves forward:

1. a loaded round is pushed out of the Magazine into the chamber;
2. the Striker is caught and put under partial tension by the Cocking Cam, and
3. the Barrel is pushed forward and upward, locking it with the Slide.

CAUTION: THE PISTOL WILL NOW FIRE IF THE TRIGGER IS PULLED.

After the last round has been fired and ejected, the Magazine Follower pushes up on the Slide Stop Lever to hold the Slide open.

Important Safety Information

11. Always carry a firearm empty and open while at a public, or private range, until you are ready to fire. Keep it pointed towards the backstop during loading, firing, and unloading.

12. Never leave a firearm unattended. Anyone, especially a child, may fire it.

13. Never use a firearm that fails to function properly and never force a jammed action, as the jammed round may discharge.

14. Always transport the KAHR Pistol unloaded with a locked trigger unextended (See page 17, photo 24b on page 25) in a locked trigger.

Note Regarding Slide Release Operation

When the Magazine is empty, the Slide Stop will be harder to depress because the Magazine Follower is pushing up on the Slide Stop increasing the tension. It will be easier to depress when the Magazine well is empty or when the Magazine is loaded.

Striker Block

In the partially-cocked position, a spring-loaded Striker Block projects into a recess in the Striker, preventing it from moving forward.

Safety Function of the Cocking Cam Design and Position

The forward movement of the Striker is blocked by the Cocking Cam. Due to the design and positioning of the Cocking Cam, there is no way for the Striker to move forward past the Cocking Cam under normal use unless the Trigger is pulled.

SIGHTS & SIGHT ADJUSTMENT

Windage adjustments are normally made with the Rear Sight Only.

Both the front and rear Sights are held in place by the tight fit of the Sight to the dovetail. On the front Sight for CT, CW, and CM series is pinned into the Slide and cannot be moved. Windage (side to side) adjustments are made by pressing the rear Sight in the direction that you want the bullet placement to move. For example, if the pistol groups to the left of your aiming point, move the rear

sight to the right. This will move the bullet placement to the right.

Note: Sight adjustments should be made with a Sight adjustment tool that is designed to move the Sight without damaging the Slide, dovetail cut or the Sight itself. When pressing the Sights to make an adjustment, use a non-marring material against the Sight and the Slide to avoid damage.

15. Failure to fire:

Keep the firearm pointed toward the target and wait 30 seconds after it fails to fire. If a hangfire (slow ignition) has occurred, round should fire within 30 seconds. If round does not fire, remove the Magazine, eject the round and check for an obstruction. Then, examine the primer. If firing pin indent on primer is light, off center, or nonexistent, have the firearm examined by a competent

gunsmith. If the firing pin indent on primer appears normal (like similar previously fired rounds) the ammunition may be at fault.

Segregate misfired round from other live ammunition and empty cases, and continue firing.

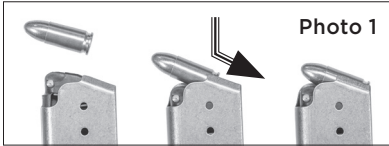
Note: Dispose of misfired round in accordance with ammunition manufacturer's instructions.

LOADING & FIRING

WHEN LOADING THE KAHR® PISTOL, ALWAYS BE SURE THAT THE PISTOL IS POINTED IN A SAFE DIRECTION AND MAKE SURE THE TRIGGER GUARD IS CLEAR OF OBSTRUCTIONS AND NOTHING IS TOUCHING THE TRIGGER.

USE ONLY AMMUNITION OF THE PROPER CALIBER AS SPECIFIED ON THE BARREL OF THE FIREARM.

The Magazine is filled by pushing individual rounds into the Magazine. Rounds are pushed, base first, into the top-front of the Magazine. Press the round down to overcome the pressure of the Magazine Spring, then push the partially inserted round fully to the rear (see photo #1).



Keep trigger guard clear until the target has been identified and you intend to shoot.

Pull the Slide fully to the rear and lock it back by pushing up on the Slide Stop Lever while easing the Slide forward. Next, insert the loaded Magazine into the Magazine well at the base of the grip until the Magazine Catch engages fully (see photo #2). Finally, push down on the Slide Stop Lever to chamber the first round into the Barrel (see photo #4). Chambering a round by pulling back on the Slide and letting it go may cause the round to not fully chamber.



NOTE: BE SURE THAT ALL ROUNDS ARE PRESSED FULLY TO THE BACK OF THE MAGAZINE.

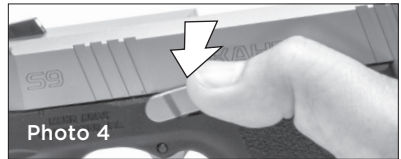
Note: Do not load an individual round into the chamber and then close the Slide. This can damage the Extractor. Only chamber rounds from the Magazine as described above.

The KAHR® Pistol is now ready to fire.

IF YOU PULL THE TRIGGER, THE PISTOL WILL FIRE.

After the last round has been fired, the Slide will remain open.

Remove the empty Magazine by pushing the Magazine Catch on the front of the left grip (see photo #3) and pulling the Magazine from the Magazine well. Insert a full Magazine and then push the Slide Stop Lever downward. The KAHR® Pistol is again ready to fire.



Important Safety Information

16. Never discharge a firearm near an animal unless it is trained to accept the noise. A startled animal could injure itself or cause an accident.

17. Never walk, climb, follow a companion or hunt with your pistol in your hand and ready to fire (in battery).

18. When preparing to fire, be sure that the area behind the Slide is free of obstructions (watch your thumb) as the Slide will move back sharply upon firing.

19. Never drink alcoholic beverages or take drugs before or during shooting as your vision and judgment can be seriously impaired, making your gun handling unsafe.

UNLOADING

WHEN UNLOADING THE KAHR® PISTOL, ALWAYS BE SURE THAT THE PISTOL IS POINTED IN A SAFE DIRECTION AND KEEP THE TRIGGER GUARD CLEAR.

Remove the Magazine by depressing the Magazine Catch on the front of the left grip (see photo #3 on page 16) and pulling the Magazine from the Magazine well. Pull the Slide fully to the rear to eject the round which may be in the chamber. Visually check to ensure that no round remains in the chamber or Barrel.

Allow the Slide to spring forward by releasing it.

After making absolutely sure that the Magazine is removed and the chamber is empty (see photo #5), release the Slide, point the pistol in a safe direction, and pull the Trigger to release tension on the Striker.



Photo 5

CAUTION:
ALWAYS UNLOAD YOUR KAHR® PISTOL IMMEDIATELY AFTER USE AND PRIOR TO CLEANING AND STORAGE TO MINIMIZE THE RISK OF ACCIDENTAL DISCHARGE.

BREAK-IN PERIOD

The KAHR® Pistol must run through an initial break-in period before achieving fully reliable feeding and functioning. The pistol should not be considered fully reliable until after it has fired 200 rounds.

DISASSEMBLY & REASSEMBLY

BEFORE DISASSEMBLY OR CLEANING THE KAHR® PISTOL, BE ABSOLUTELY SURE THE PISTOL IS UNLOADED (Follow the unload instructions).

For normal cleaning, the KAHR® Pistol should only be disassembled into its main components:

- Slide
- Barrel
- Frame
- Magazine
- Slide Stop
- Recoil Spring with Recoil Spring Guide

DO NOT DISASSEMBLE THE PISTOL FURTHER THAN THE MAIN COMPONENTS DESCRIBED ABOVE (except Magazine). To do so, may create an unsafe condition and affect the pistol's warranty.

For maintaining and cleaning the KAHR® Pistol, use only high quality, commercially available cleaning equipment, solvents and lubricants.

20. Always seek a doctor's advice if you are taking medication to be sure you are fit to shoot and handle a firearm safely.

21. Always wear ear protection when shooting, especially on a range. Without ear protection, the noise of firing can lead to cumulative long-term and permanent hearing loss.

22. Always wear protective shooting glasses for eye protection. Do not hold an autoloading pistol near your eye or face as the slide will move back sharply upon firing.

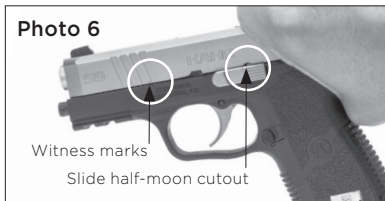
23. Always make sure that any firearm is unloaded before cleaning, storing or transporting. When handing the KAHR® Pistol to another person, be sure that the Slide is locked open with the Magazine removed.

Disassembly

KAHR® Pistols are disassembled to their main components in the following steps:

1. Remove the Magazine and visually check to be sure that the chamber is empty by pulling back the Slide. (see photo #3 on page 16 and photo #5 on page 17)

2. Draw the Slide back about 1/2 inch so that the small witness marks on the Slide and Frame align (see left circled area in photo #6) and internal projection on the Slide Stop can be seen through the rear half-moon cutout in side of the Slide. (see right circled area in photo #6)

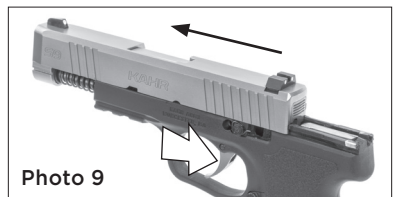


3. Push the pin of the Slide Stop out of the pistol from right to left. (Use a light, non-marring hammer or plastic screwdriver handle if necessary).



4. Ease the Slide forward under Recoil Spring tension.

5. With the Slide Stop removed, pull the Trigger to release the Striker, then, while keeping the trigger pulled, push the Slide forward off of the Frame.



CAUTION: PROTECT EYES WHEN REMOVING THE RECOIL SPRING GUIDE. RECOIL SPRING GUIDE IS UNDER TENSION AND MAY FLY OFF AND CAUSE INJURY!

6. Removal of the Barrel is carried out as follows:

Carefully remove Recoil Spring Guide with Recoil Spring from Slide. (see photo #10a on page 19)

Important Safety Information

24. Always keep clear and keep others clear of the ejection port, as spent cartridges are ejected with enough force to cause injury.

25. Never place fingers in the ejection port; they could be injured by the Slide moving forward unintentionally.

26. Never place fingers on a hot Slide or Barrel during or after firing, as they could be burned by the hot metal.

27. Only use high-quality commercially manufactured ammunition, in excellent condition and in the correct caliber for your pistol.

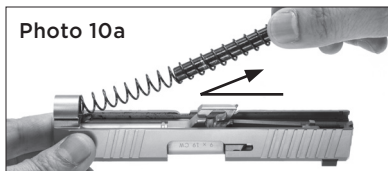


Photo 10a

Grasp recoil lug of Barrel and push it slightly forward, then lift and pull it rearward out of the Slide. (see photo #10b)



Photo 10b

NOTE: DO NOT ATTEMPT TO DISASSEMBLE THE RECOIL SPRING ASSEMBLY FOR MK, PM, AND CM MODELS. THIS IS A FACTORY ASSEMBLED COMPONENT. THE RECOIL SPRING IS DESIGNED TO WORK ONE WAY ONLY. THE SMALLER DIAMETER CLOSED END MUST BE AGAINST THE FLANGE ON THE REAR OF THE RECOIL SPRING GUIDE. IMPROPER REASSEMBLY WILL CAUSE DAMAGE TO THE FIREARM AND CAUSE INJURY TO THE USER.

Disassembly for P380® w/ LCI Only

WARNING: FAILURE TO FOLLOW THESE PROCEDURES COULD RESULT IN DAMAGE TO YOUR KAHR® PISTOL, WILL VOID THE WARRANTY AND REQUIRE THE PISTOL TO BE SENT BACK TO THE FACTORY FOR REPAIR AT YOUR COST.

Follow the Disassembly instructions steps 1-4 (see on page 18).

Before proceeding to step 5 the following procedure must be performed:

5A. Insert the Disassembly Tool included in the box with the firearm into the pistol's magazine well until the Magazine Catch locks into place. (see photo #11a)

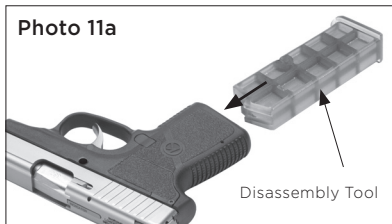


Photo 11a

5B. Pull the Trigger and push the Slide forward **ONLY UNTIL** the edge of the Cocking Cam back end is visible under the Slide Back cover as shown in the picture below. (see photo #11b)



Photo 11b

5C. Once the Slide is in that position, as noted in the picture above, remove the Disassembly Tool and push the Slide forward off the Frame.

The use of reloaded ammunition will void the Warranty because reloads or poor quality ammunition may not meet industry specifications (SAAMI and/or NATO), may exceed pressure limits and could be unsafe.

28. Always unload the firearm immediately after firing.

29. Do not allow anyone to handle or attempt firing the KAHR® Pistol until they have read and understand this manual.

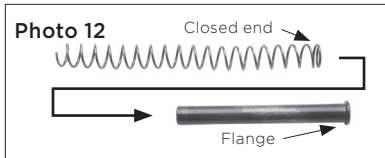
DO NOT FORCE THE SLIDE, otherwise there may be permanent damage to the Magazine Disconnector or the Cocking Cam hole on the Frame.

At this point continue to follow the normal disassembly instructions starting at step 6.

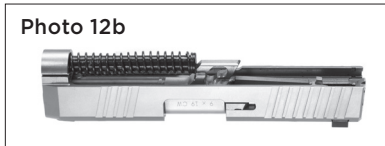
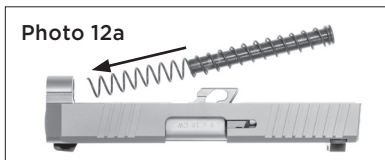
Reassembly

INCORRECT REASSEMBLY CAN RESULT IN DAMAGE TO THE FIREARM.

Be sure that the smaller diameter closed end of the Recoil Spring is against the flange on the rear of the Recoil Spring Guide Rod (see photo #12).

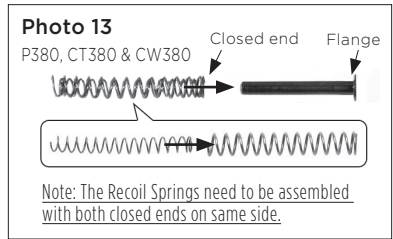


Compress Recoil Spring between Slide and Barrel lug with the leading point of the spring opposite of the barrel (see photos #12a & #12b). Make sure that the Recoil Spring Guide Rod and Spring are parallel to the Slide rails and not off to one side.



Note (P380®, CT380® & CW380® Only)

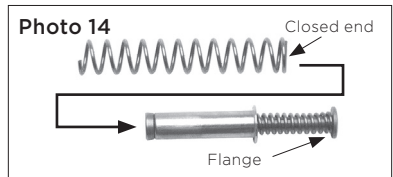
Be sure that the smaller diameter closed ends of the inner & outer Recoil Springs are against the Recoil Spring Guide Rod flange (see photo #13 - P380, CT380 & CW380).



Compress Recoil Springs between Slide and Barrel lug (see photo #12a). Make sure that the Recoil Spring Guide Rod and Springs are parallel to the Slide rails and not off to one side.

Note (PM & CM Series Only)

Insert closed end of Recoil Spring against Recoil Spring Guide Rod flange (see photo #14).

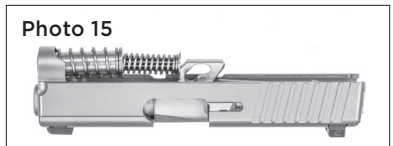


Compress Recoil Spring Assembly between Slide and Barrel lug (see photo #12a). Make sure that the Recoil Spring Assembly is parallel to the Slide rails and not off to one side.

Be sure that the large flat disc at the rear of the Recoil Spring Assembly is in the front of the Barrel's recoil lug (see photo #12b).

Note (MK Series Only)

Compress Recoil Spring Assembly between Slide and Barrel Lug. Make sure that the Recoil Spring Assembly is parallel to the Slide rails and not off to one side. Be sure that the large flat disc at the rear of the Recoil Spring

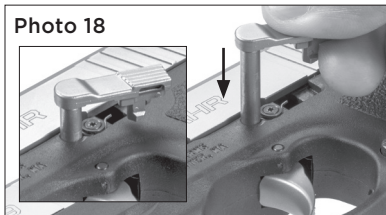
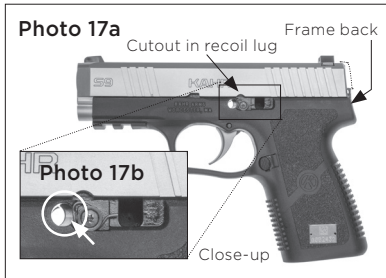


Assembly is in the front of the Barrel's recoil lug (see photo #15 on page 20).

Then, install the Slide on Frame rails (see photo #16).

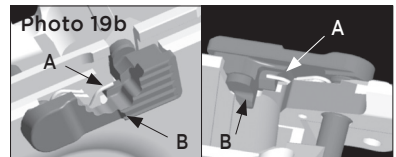
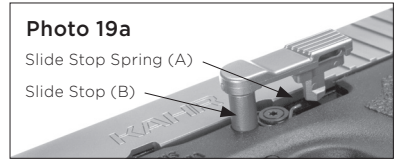


Next, line up the kidney shaped cutout in the recoil lug with the opening in the Frame. At this point it may be necessary to line up the back of the Slide with the Frame back before inserting the Slide Stop (see photos #17a & #17b).



Now, carefully insert the Slide Stop at the 4:00 o'clock position approx. half way through the Frame opening and the kidney shaped cutout in the Barrel lug (see photo #18). At this point adjust the Slide Stop to the 3:00 o'clock position to allow the Slide Stop Spring (A) to catch the top of the landing on the Slide Stop (B) (see photo #19a & #19b).

CAUTION: Keep the Slide Stop in the 3:00 o'clock position to allow the Slide Stop Spring to catch the top of the landing on the Slide Stop. To ensure proper function; insert the Slide Stop (B) under the Slide Stop Spring (A).



Finally, draw the Slide back 1/4 of an inch confirming the Slide Stop lines up with the half-moon cutout in the Slide. Next, gently push the Slide Stop the rest of the way into the Frame opening (see photo #20).



If problems occur during assembly, remove the Slide and recheck the instructions above.

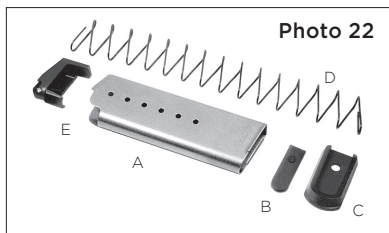
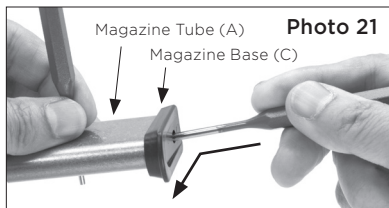
If the Slide will not go smoothly onto the Frame, do not force it as this could cause damage and may void the warranty.

MAGAZINE DISASSEMBLY, MAINTENANCE & REASSEMBLY

CAUTION! THE MAGAZINE SPRING IS UNDER PRESSURE. Be sure to contain the Spring when withdrawing the pin to prevent damage and/or injury. Eye protection should be worn.

Disassembly

Ensure that the Magazine is unloaded. Insert a 1/8" or smaller pin (or length of stiff wire, etc.) through the bottom sight holes in the Magazine Tube (A), between coils of the Magazine Spring (D). This will contain most of the spring tension during disassembly. Using a small punch (or ball-point pen or similar implement), depress the locking stud of the Magazine Base Lock (B) through the hole in the bottom of the Magazine Base (C) (see photo #21 and #22).



Push the Magazine Base forward off the Magazine Tube. The pin previously inserted in the bottom sight holes of the Magazine Tube now contains the Magazine Spring under some compression. Point the bottom of the Magazine Tube in a safe direction, contain the Spring's free end protruding from the bottom with your thumb, and carefully withdraw the pin from the Magazine sight holes.

Remove the Magazine Spring and Magazine Follower (E) through the bottom of the Magazine Tube (see photo #21).

The Magazine is now completely disassembled. Clean all parts thoroughly with solvent. Wipe all parts lightly with lubricant-moistened cloth before reassembly.

CAUTION! DO NOT OVER LUBRICATE.

Lubricant can penetrate the primer of ammunition and render it inoperative causing a failure to fire.

Inspect the Magazine Base and Magazine Base Lock for cracks. Inspect the Magazine Tube for cracks or voids in the seam weld area.

Inspect Magazine Follower for chips and cracks. Ensure that the Magazine Follower moves freely inside the Magazine Tube. Replace components as required.

Check the Magazine feed lips for distortion, burrs or nicks, and especially for smoothness at the Magazine Catch slot.

Note: Magazines should always be handled with care. If a Magazine part becomes damaged as a result of being dropped on a hard surface, it should be replaced. Do not attempt to repair it.

Reassembly

1. Insert the magazine follower (E) into the magazine tube (A) from the bottom. Then insert the Magazine Spring (D) into the Magazine Tube. Compress the Magazine Spring in the tube on a hard, flat surface.
2. Insert a 1/8" or smaller pin (or length of stiff wire, etc.) through the bottom sight holes in the Magazine Tube, between coils of the Magazine Spring. This will contain most of the spring tension during reassembly.
3. Depress the Magazine Base Lock (B) on the end of the spring and slide the Magazine Base (C) over the lock and through the rails on the bottom of the Magazine Tube (see photo #23 on page 23).

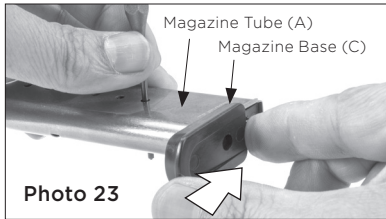


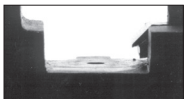
Photo 23

Ensure the empty, reassembled Magazine seats fully when inserted in the pistol, and falls freely from its well when the Magazine Catch is depressed.

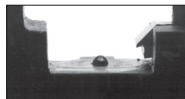
CHECKING SAFETY DEVICES

Ensure proper safety function by performing the following test:

With the Slide and Barrel removed, draw the Striker back manually about 1/4" and then ease the Striker forward. The tip of the Striker must not project beyond the breech face of the Slide. Then attempt to push the Striker forward. The tip of the Striker still must not project beyond the breech face of the Slide.



Correct



Incorrect

Note: When easing the Striker forward, be careful not to depress the Striker Block which sits next to the Striker. If it is depressed during the safety check, it will allow the Striker to project beyond the breech face.

Note Regarding Primer Indent and Distorted Spent Cases



Upon examining fired cases, you may notice that the primer indent appears distorted or elongated. This is normal for the striker system design of the Kahr® pistols. You may also notice that the spent case becomes slightly deformed into the shape of a "D" instead of an "O" shape. This is considered

normal for the Kahr® pistol and is caused by the spent case touching the bottom of the ejection port when exiting the gun. Neither of these two situations are a cause for concern and it is not necessary to contact the service department.

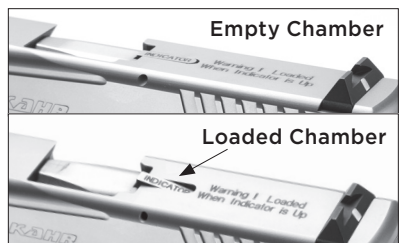
Note Regarding Lead Bullets

Lead (unjacketed) bullets can cause excessive bore fouling. We do not recommend lead bullets in Kahr pistols.

KAHR® LOADED CHAMBER INDICATOR (LCI) MODEL

Loaded Chamber Indicator

This model is designed to provide physical indication if there is a bullet loaded in the chamber. The product is designed with a lever mounted on the top of Slide. The lever is marked "INDICATOR" in red lettering. When a bullet is chambered it pushes the lever upward and out of its normal resting position. The operator will visually see the lever as it is raised up. Also the operator will be able to feel the indicator as being out of its normal resting



position as it will not be flush with the top of the Slide, thus warning the operator that the firearm is loaded.

The loaded chamber indicator should never be used as an "unloaded chamber indicator" - meaning that it should never be used by a firearm handler to confirm that a chamber is empty, to the exclusion of manually checking the chamber as explained on page 17 in the Unloading section of

this manual. The surest method to determine the absence of a round in the chamber is to visually check the chamber of the firearm by pulling and locking the Slide to the rear.

CLEANING & LUBRICATION

Before the initial shooting of the new Kahr® Pistol, the pistol should be disassembled following the instructions on page 18 and cleaned with a commercial gun cleaning solvent. After each shooting session, the cleaning process should be repeated to remove firing residue from the inside and outside of the Barrel, Slide, Frame and Magazine.

Once cleaned, all parts should be lightly lubricated with a commercial gun lubricant. Follow solvent and lubricant manufacturer's instructions.

The handgun should be kept clean and properly lubricated at all times. Lubricants can evaporate over time. Therefore, lightly lubricate the handgun once a month whether or not it has been fired. Be sure your handgun is

unloaded (Magazine removed and chamber empty) before performing any cleaning or maintenance.

Kahr Pistol Lube Points

Use a cotton swab or patch saturated with lube for all these "points" (see photo #24):

1. Lightly coat the whole inside of the kidney shaped cutout in the Barrel lug.
2. Lightly coat the whole outside of the Barrel tube.
3. Lightly coat the whole outside of the Recoil Spring Guide Rod.
4. Lightly coat the whole outside of the round part of the Slide Stop.
5. Place Slide with muzzle end straight down, put a drop of lube in both "rail grooves" and let run down the whole length.
6. Lightly coat the two guide rails on the Frame (Polymer Frame Model Only).

TRIGGER LOCK ASSEMBLY

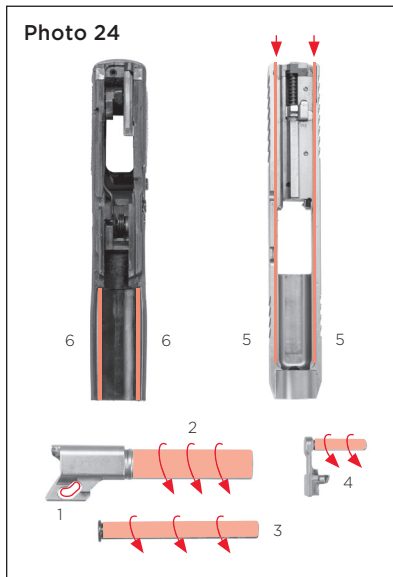
WARNING! DO NOT USE THE TRIGGER LOCK ASSEMBLY ON A LOADED Kahr® PISTOL!

The use of a Trigger Lock Assembly on a loaded Kahr® pistol can result in a pistol discharge which can cause serious personal injury and/or death.

THE TRIGGER LOCK ASSEMBLY IS DESIGNED TO BE USED, WITHOUT EXCEPTIONS, WITH Kahr® PISTOLS ONLY.

Do not under any circumstances use the Trigger Lock Assembly on any other firearm as it may be ineffective and can cause serious personal injury and/or death.

If your Kahr® pistol was sold without a Trigger Lock Assembly please immediately contact Kahr® Arms Customer Support at 508-795-3919 or write us at: Kahr Arms, 105 Kahr Ave., Greeley, PA 18425. If your Trigger Lock Assembly is damaged do not use it. Please contact Kahr® Arms Customer Support and



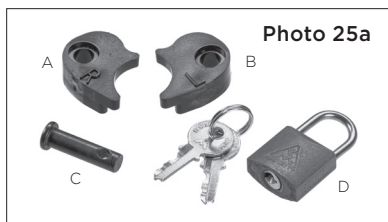
we will replace the Trigger Lock Assembly with a fully operational Trigger Lock Assembly free of charge.

No gun lock can offer complete protection against accidental or negligent discharges or intentional misuses of firearms. Firearm safety depends upon your complete adherence to the basic firearm handling safety rules and your responsible use and safe storage of firearms. Therefore keep firearms unloaded and out of the reach of children and other unauthorized users.

Instructions for Use of Trigger Lock Assembly

Visually check to confirm that the Kahr® pistol magazine is out and the chamber is empty. (See photo #5 on page 17)

The Trigger Lock Assembly consists of 4 items (See photo #25a):



- A. Trigger Lock - Right
- B. Trigger Lock - Left
- C. Trigger Lock Pin
- D. Padlock with Key

1. Insert the left half and right half of the Trigger Lock Assembly behind the trigger of the unloaded Kahr® pistol. The top of the Trigger Lock Assembly has an indent which matches with the Kahr® pistol frame directly below the trigger pin.

2. Insert the Trigger Lock Pin into either the right hole or the left hole of the Trigger Lock Assembly.

3. Insert the padlock through the hole in the Trigger Lock Pin and close. (See photo #25b)

Photo 25b



If for any reason you do not understand these instructions, please immediately contact Kahr® Arms Customer Support for assistance.

NOTES ON RELIABILITY

If this firearm is to be used in lawful self-defense, the user must understand that overall reliability is based upon the interaction of four factors: handgun, magazine, ammunition and user.

A handgun is only a mechanical device. It can fail to function properly despite the use of the finest materials and the greatest possible care in its design and manufacture. To ensure the highest level of reliability, we suggest that you adhere to the following guidelines:

1. Obtain the guidance of a qualified or accredited firearms instructor before using the handgun.

2. Use only the highest quality factory ammunition. Avoid reloads, surplus and budget priced ammunition. Some firearms may not always reliably function with a specific brand or loading of ammunition. Selected ammunition should be test fired (100 rounds minimum) to ensure reliability. Also, ammunition manufacturers can make changes to their ammunition such as substituting a different powder or primer. Consequently, ammunition which proved reliable in the past may suddenly begin to cause malfunctions. Inspect all ammunition for visible defects before loading it into the Magazine.

3. Use only Kahr® Arms manufactured Magazines. Consider purchasing extra Magazines so that they may periodically be rotated, allowing the Magazine Spring to relax. When inserting a Magazine into the handgun, listen for it to click into place, then pull down on the Magazine Base to make sure that it is seated and locked.

4. Improper shooting technique and grip can cause a variety of malfunctions such as a failure to properly eject or feed. Also, some loadings of ammunition are more sensitive to improper shooting technique or grip than others. Maintain a firm but comfortable grip on the handgun. The shooting arm should primarily supply resistance to the handgun, not just serve as a shock absorber.

WARRANTY & LIABILITY EXCLUSIONS

Notwithstanding the provisions contained in any other printed Warranty statement(s) made by Kahr® ARMS or by one of Kahr® ARMS' affiliates, the following exclusions from Warranty, among others, shall apply:

1. If the pistol is disassembled by the purchaser or by third parties further than described in this manual, and if, as a result of inappropriate handling or incomplete reassembly, damage or malfunctions are caused, as a result of which the safety devices are rendered ineffective, then the purchaser shall forfeit any claim to guarantee against damages thereby incurred to persons or property.

2. Any change to the basic construction of the weapon, in particular by the circumvention of the safety devices, is strictly prohibited for safety reasons, and precludes the use of the weapon.

3. No liability whatsoever can be accepted in the case of criminal misuse, negligence, resale, use under the influence of drugs or alcohol, modifications, careless handling, etc.

4. With the Slide removed, it is not permitted to tension and release the Striker forward since this could damage the Striker Block.

5. No liability whatsoever can be accepted if the pistol is fired with any ammunition other than top-quality, commercially manufactured ammunition of the proper caliber specified on the firearm itself. Inexpertly manufactured or reloaded ammunition must not be used.

Note: All liability is excluded in the event that the instructions in this manual are not observed.

SHIPPING FIREARMS FOR SERVICE

Kahr® handguns returned to the factory for service or repair should be sent to:

Kahr Firearms Group
Attn: Return Dept.
105 Kahr Ave.
Greeley, PA 18425

To return a firearm for service go to RA Request page (<https://www.kahr.com/kahr-rma/>) and fill out the online form. You will receive a confirmation email that your form has been received.

Once your case has been reviewed and approved for repair you will receive an emailed "Return Authorization" number. For further questions please contact Customer Service at service@kahr.com or by phone: 508-795-3919.

PISTOLS SHIPPED TO THE FACTORY MUST BE SENT PREPAID. THE Kahr® SERVICE DEPARTMENT CANNOT ACCEPT COLLECT SHIPMENTS.

The Gun Control Act of 1968 does not prohibit an individual from shipping a firearm directly to the manufacturer for service or repair.

However, some states or localities prohibit this. If you live in such a location, please have a licensed firearms dealer ship the firearm. It will be returned to the dealer after being serviced.

HANDGUNS MUST BE SHIPPED PREPAID VIA FEDEX® PRIORITY OVERNIGHT OR 2ND DAY. HANDGUNS SHIPPED GROUND SERVICE MAY BE ASSESSED AN ADDITIONAL CHARGE

OF \$40.00 AND REPAIR WORK WILL BE DELAYED. Persons who do not hold a Federal Firearms License are prohibited by federal law from shipping a handgun by mail. Handguns mailed in violation of the law are impounded by the Post Office.

Enclose a letter that includes reference to the factory "Return Authorization" Number, your name, address, telephone number, and serial number and model of the firearm. Describe in detail the trouble you have experienced with your firearm, or the work you wish to have done. Stating only that the firearm "needs repair" is inadequate information. Please enclose copies of any previous correspondence.

Please do not include cartridges, holsters, custom grips, or accessories with any firearm being shipped to the factory for service.

Service work performed, other than approved Warranty repairs, will carry a minimum charge of \$35.00 per 30 minutes plus a \$25.00 return shipping and handling charge.

Retain your tracking number when shipping firearms for repair. This will allow you to track the status of your firearm shipment either by phone or the website of the carrier.

Kahr® Arms ships repaired firearms via FEDEX® "Adult Signature Required". Please make sure the "Adult Signature Required" from FEDEX® is not waived for your address. If "Adult Signature Required" is waived at your address then you are responsible for any loss as a result.

SERVICE ASSISTANCE

In order to ensure that the warranty on the firearm is valid, we require a registered warranty or proof of purchase. (<https://www.kahr.com/warranty-registration/>)

Should service be required, go to the Kahr website for the "Return Authorization" request form (<https://www.kahr.com/kahr-rma/>) or call the Kahr® Arms Customer Service Dept. at (508) 795-3919 or Fax: (570) 685-2222, giving full details of the problem you have experienced, ammunition used, date of purchase, and dealer from whom the pistol was purchased.

If Kahr® Arms Customer Service recommends that the pistol be returned to the factory for service, you will receive a factory "Return Authorization" Number. Ship the unloaded pistol, prepaid via FedEx® Priority overnight or 2nd Day with a copy of the sales receipt and "Return Authorization" Number to:

Kahr Firearms Group
Attn: Return Dept.
105 Kahr Ave.
Greeley, PA 18425

Parts & Accessories Ordering
Fax: (570) 685-2222

Web Address: www.kahr.com

E-mail: service@kahr.com

Online Return Authorization
Request Form:

<https://www.kahr.com/kahr-rma/>

Refer to the separate "Parts and Service List" for complete parts and service pricing and ordering information.

Limited Warranty

This "LIMITED WARRANTY" has been drafted to comply with the MAGNUSON-MOSS WARRANTY FEDERAL TRADE COMMISSION IMPROVEMENT ACT which is effective for goods manufactured on or after December 31, 1976. Kahr Arms warrants that this firearm was originally manufactured free of defects in material or workmanship.

Kahr® Arms agrees to correct for one year any defect in the Kahr® Value Series (CW, CM, CT models) for the original purchaser by repair or replacement (with same or comparable quality model). A service and/or handling charge may be applied.

Kahr® Arms agrees to correct for the lifetime any defect in the Kahr® Premium Series (T, K, MK, P, PM models) & S Series (ST & S models) for the original purchaser by repair or replacement (with same or comparable quality model). A service and/or handling charge may be applied.

THIS WARRANTY IS VOID IF THE FIREARM HAS BEEN ABUSED, MISUSED, DAMAGED BY ACCIDENT, FIRED WITH HANDLOADED AND/OR RELOADED OR IMPROPER AMMUNITION OR WITH AN OBSTRUCTION IN THE BARREL, OR DAMAGED THROUGH FAILURE TO PROVIDE REASONABLE AND NECESSARY MAINTENANCE AS DESCRIBED IN THIS MANUAL. THIS WARRANTY DOES NOT APPLY TO NORMAL WEAR OF ANY PARTS, INCLUDING METAL, WOOD, PLASTIC, RUBBER AND OTHER MATERIAL'S SURFACE FINISH OR IF UNAUTHORIZED REPAIR AND/OR ALTERATION HAS BEEN PERFORMED.

The terms of the Warranty cannot be changed except in writing by an officer of Kahr® Arms.

Wholesalers and Dealers (unless a Kahr® Arms authorized Warranty repair station) are not authorized to make any Warranty repair or adjustment on behalf of Kahr® Arms.

This Warranty gives only the original retail purchaser specific legal rights. Other rights may also be available which may vary from state to state.

Should repair be required for this firearm, go to the Kahr website for the "Return Authorization" request form (<https://www.kahr.com/kahr-rma/>), or call the Kahr® Arms Customer Service Dept. at Tel: **(508) 795-3919** or Fax: (570) 685-2222 and request a "Return Authorization" Number. Provide full details of the defect or malfunction, date of purchase and dealer from whom the firearm was purchased. Then, send the unloaded pistol, prepaid via UPS® AIR or FEDEX® OVERNIGHT, with a copy of the sales receipt and "Return Authorization" Number to:

**Kahr Firearms Group - Attn: Return Dept.
105 Kahr Ave., Greeley, PA 18425**

E-mail Address: service@kahr.com

Web Address: www.kahr.com