

KRISS®

OWNER'S MANUAL



VECTOR	CRB
	SBR
	SDP

Read the instructions and warnings in this manual carefully before using this firearm; do not discard this manual.

This instruction manual should always accompany this firearm and be transferred with it upon ownership, or when the firearm is loaned or presented to another person.

TABLE OF CONTENTS

Table of Contents.....	1
Firearm Safety Rules	2
Package Contents	2
Technical Specifications	3
Main Features	4
Handling and Operation.....	5
1. Ammunition	5
2. Loading the Magazine.....	5
3. Folding Stock	6
4. Loading the Firearm.....	7
5. Charging	7
6. Shooting	8
7. Unloading and Clearing	9
8. Bolt Lock	10
9. Sight Adjustment	11
10. Disassembly.....	12
11. Assembly.....	14
Maintenance	15
1. Cleaning and Inspection	15
2. Function Check.....	18
3. Lubrication	19
Troubleshooting.....	20
Lock and Storage	22

FIREARM SAFETY RULES



SAFETY IS YOUR RESPONSIBILITY.

Below are some general guidelines you should follow closely when operating firearms or are in the company of those who are.

- Always treat your firearm as if it is loaded.
- Never point a firearm at anything you are not willing to destroy.
- Keep your finger off the trigger until you are ready to shoot.
- Always keep your firearm on safe until you intend to fire.
- Always keep your firearm unloaded until you intend to use it.
- Always know your target and what may lie behind it.
- Always become thoroughly familiar with your firearm before using it.
- Use only new, factory manufactured ammunition in your KRISS Vector that is the correct caliber and is SAAMI and/or C.I.P. approved.
- Always wear proper eye and ear protection when you are around firearms.
- Be aware that certain types of firearms and firing situations require additional safety considerations.
- Be fully aware of your target's foreground and background.

PACKAGE CONTENTS

- [1] KRISS VECTOR SDP/SBR/CRB
- [1] Standard 10/13-round Glock 21 magazine (Optional 25-round KRISS® MagEx)
- [1] Owner's manual
- [1] Cable lock
- [1] Sling (SDP model only)
- [1] Fore grip (SBR model only)
- [1] 25-round extended magazine (SBR model only)

"GLOCK" is a federally registered trademark of Glock, Inc. and is one of many trademarks owned by Glock Inc. or Glock Ges.m.b.H. Neither KRISS USA nor this catalog is affiliated in any manner with, or otherwise endorsed by, Glock, Inc. or Glock Ges.m.b.H. The use of "Glock" on this page is merely to advertise the sale of Glock pistols, parts, or components.

TECHNICAL SPECIFICATIONS

VECTOR SBR

Caliber	.45ACP (230g FMJ recommended)	
Overall length	5.5in / 140mm barrel model	6.5in / 165mm barrel model
	Open 24in / 610mm Folded 15.5in / 394mm	Open 25in / 635mm Folded 16.5in / 429mm
Overall height	6.8in / 175mm	
Weight (unloaded)	6.23lbs / 2.82kg	
Barrel length	5.5in / 140mm or 6.5in / 165mm	
	(Threaded option and barrel length dependent on local state law)	
Sight	Flip up front and rear iron sight	
Frame Material	Advanced metal components Advanced polymer composite	
Magazine capacity	Standard 10/13 rd Glock 21 magazine. (Optional 25 rd KRISS® MagEx.)	

VECTOR CRB

Caliber	.45ACP (230g FMJ recommended)	
Overall length	Open 35.25in / 895mm	Folded 26.5in / 673mm
	Overall height 6.8in / 175mm	
Barrel length	16in / 406mm	
Weight (unloaded)	7.28lbs / 3.3kg	
Sight	Flip up front and rear iron sight	
Frame Material	Advanced metal components Advanced polymer composite	
Magazine capacity	Standard 10/13 rd Glock 21 magazine. (Optional 25 rd KRISS® MagEx.)	

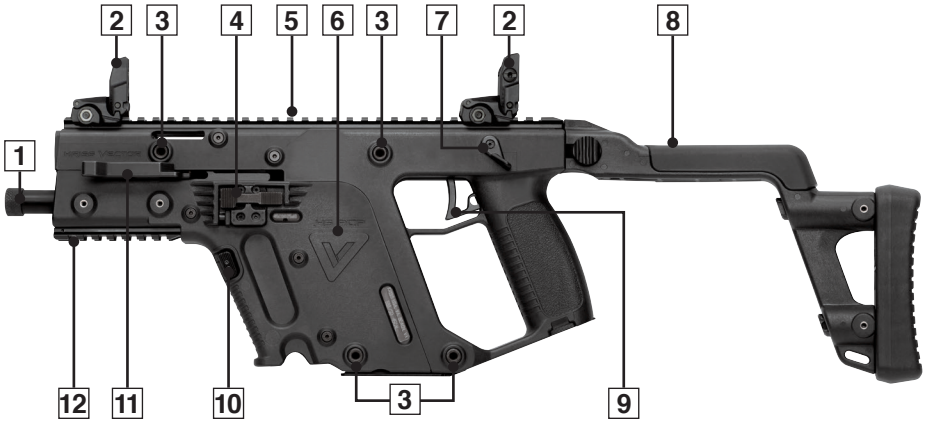
VECTOR SDP

Caliber	.45ACP (230g FMJ recommended)	
Overall length	5.5in / 140mm barrel model	6.5in / 165mm barrel model
	16.75in / 425mm	17.75in / 450mm
Overall height	6.8in / 175mm	
Weight (unloaded)	5.74lbs / 2.6kg	
Barrel length	5.5in / 140mm or 6.5in / 165mm	
	(Threaded option and barrel length dependent on local state law)	
Sight	Flip up front and rear iron sight	
Frame Material	Advanced metal components Advanced polymer composite	
Magazine capacity	Standard 10/13 rd Glock 21 magazine. (Optional 25 rd KRISS® MagEx.)	

"GLOCK" is a federally registered trademark of Glock, Inc. and is one of many trademarks owned by Glock Inc. or Glock Ges.m.b.H. Neither KRISS USA nor this catalog is affiliated in any manner with, or otherwise endorsed by, Glock, Inc. or Glock Ges.m.b.H. The use of "Glock" on this page is merely to advertise the sale of Glock pistols, parts, or components.

MAIN FEATURES

VECTOR SBR



VECTOR CRB



VECTOR SDP



1: 5.5in / 140mm or 6.5in / 165mm barrel* (SBR & SDP model)

2: Magpul MBUS® front and rear sight

3: Toolless break down pins (4)

4: Bolt release / catch

5: 13.1in / 334mm Picatinny top rail

6: KRISS Super V patented recoil mitigation system

7: Ambidextrous safety selector

8: Lightweight adjustable folding stock

9: Trigger

10: Magazine release button

11: Charging handle / brass check function

12: 3.3in / 85mm Picatinny rail

13: 16in / 406mm barrel

14: Sling point attachment (SDP model)

**Threaded option and barrel length dependent on local state law*

MBUS® and UBR® are registered trademarks of the Magpul Industries Corp. Neither KRISS USA nor this catalog is affiliated in any manner with, or otherwise endorsed by, Magpul Industries Corp. The use of MBUS® and UBR® on this page are merely to advertise the sale of Magpul products.

HANDLING AND OPERATION

Ammunition

Use only new, factory manufactured ammunition in your KRISS Vector that is the correct caliber and is SAAMI and/or C.I.P. approved.

Ensure that your ammunition is free of defects, dirt, debris, lubrication, or anything that may cause malfunctions.



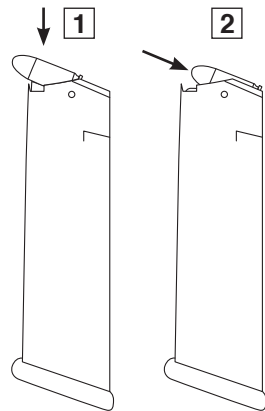
DO NOT use re-manufactured ammunition. Use of re-manufactured ammunition WILL void your warranty and may result in severe bodily injury and severe damage to your firearm.

Loading the Magazine



Be sure to use the appropriate caliber of ammunition and original Glock 21 magazine for your KRISS Vector. Failure to utilize the correct ammunition and original Glock 21 magazine may result in a malfunction and could cause severe injury and/or death.

1. With the bullet facing the front of the magazine, insert the rim of the case down into the follower.
2. Push the round to the rear of the magazine, underneath the magazine lips.
3. Repeat until the magazine is fully loaded.
4. The standard magazine holds 10 or 13 rounds depending on your state laws.



The KRISS Vector .45ACP firearm only accepts the Glock 21 magazine. Performance cannot be guaranteed with the use of any other brand magazine. The standard magazine holds 10/13 rounds capacity except where restricted by law, in which case a 10 round magazine will be included. Where permitted by law, KRISS has developed an optional extended 25 round magazine in both kit and fully assembled form. See your KRISS dealer or www.KRISS-usa.com for more details.

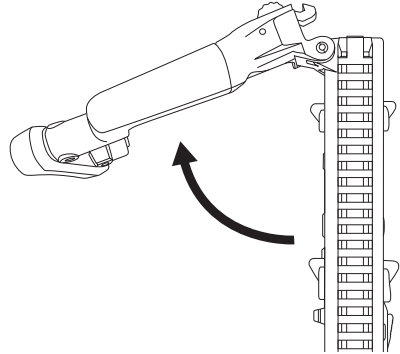
"GLOCK" is a federally registered trademark of Glock, Inc. and is one of many trademarks owned by Glock Inc. or Glock Ges.m.b.H. Neither KRISS USA nor this catalog is affiliated in any manner with, or otherwise endorsed by, Glock, Inc. or Glock Ges.m.b.H. The use of "Glock" on this page is merely to advertise the sale of Glock pistols, parts, or components.

HANDLING AND OPERATION

Folding Stock

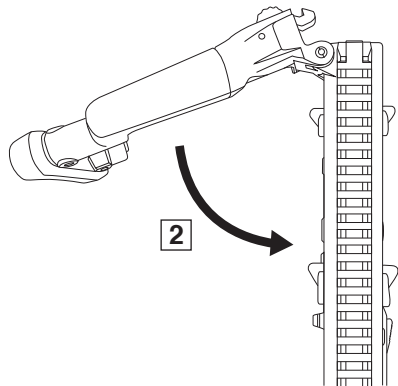
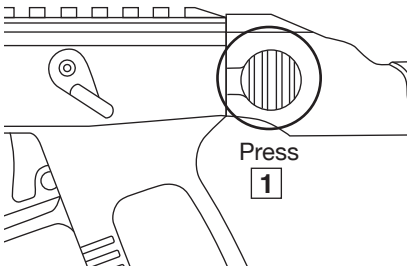
Unfolding the stock

1. Pull the folding stock outward until it pops away from the frame.
2. Swing the folding stock backward until it locks.



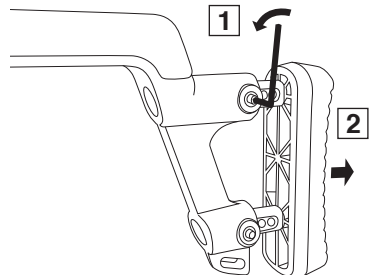
Folding the stock

1. Press and hold stock release button while folding the stock inward. Release the stock button.
2. Push the folding stock until it locks into the frame.



Adjusting the stock length

1. Loosen the **4 screws (2 on each side)** on the back of the stock using a standard 3/32 allen key.
2. Pull the stock pad and tighten all 4 screws at the desired length.



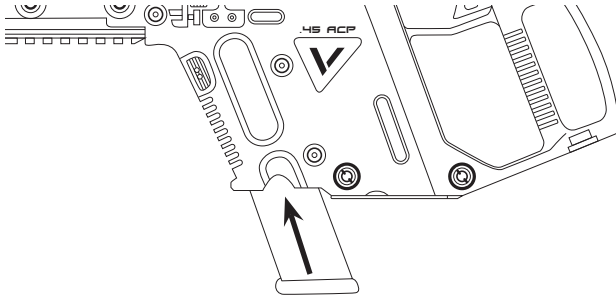
HANDLING AND OPERATION

Loading the Firearm



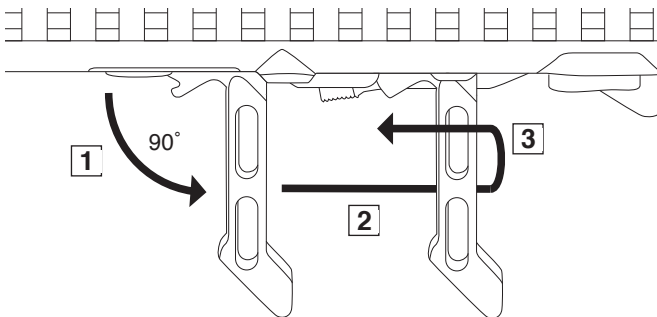
Ensure the firearm is placed on safe and pointed in a safe direction with your finger off the trigger.

1. Place the magazine into the magazine well with the bullet head facing forward. Tap the magazine to ensure that it is securely in position and seated properly.



Charging

1. Rotate the charging handle 90 degrees and
2. Grip the charging handle as close to the housing as possible, firmly pull the charging handle straight back.
3. Release the charging handle from its most rearward position.



Do not ease the charging handle forward, doing so can prevent the bolt from seating properly.

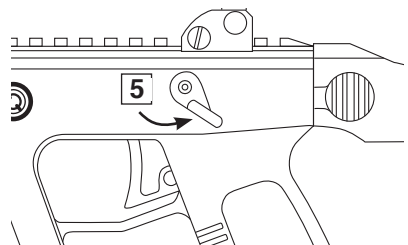
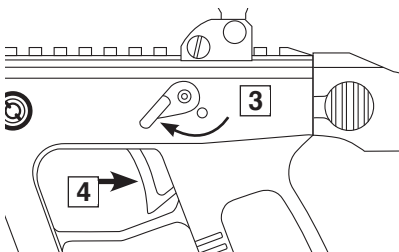
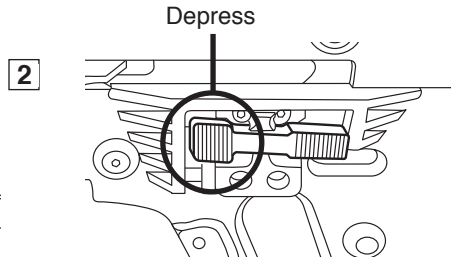
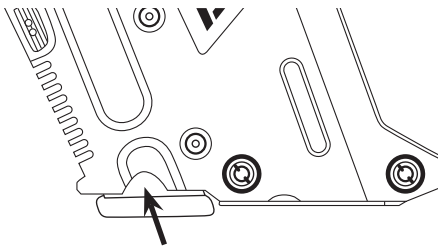
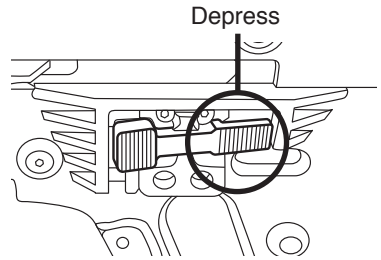
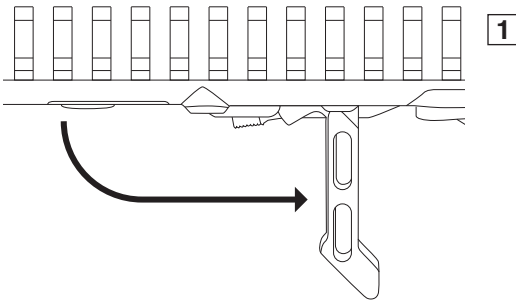
HANDLING AND OPERATION

Shooting



ALWAYS, point the firearm in a safe direction.

1. Pull the charging handle back and press the bolt catch to lock the bolt open.
2. Insert a loaded magazine, ensuring it positively locks into place. Depress the bolt release to chamber a round.
3. Aim the firearm at the desired target and take the firearm off safe.
4. Pull trigger rearward to fire.
5. Once firing has been completed, take your finger off the trigger and place the firearm back into safe.

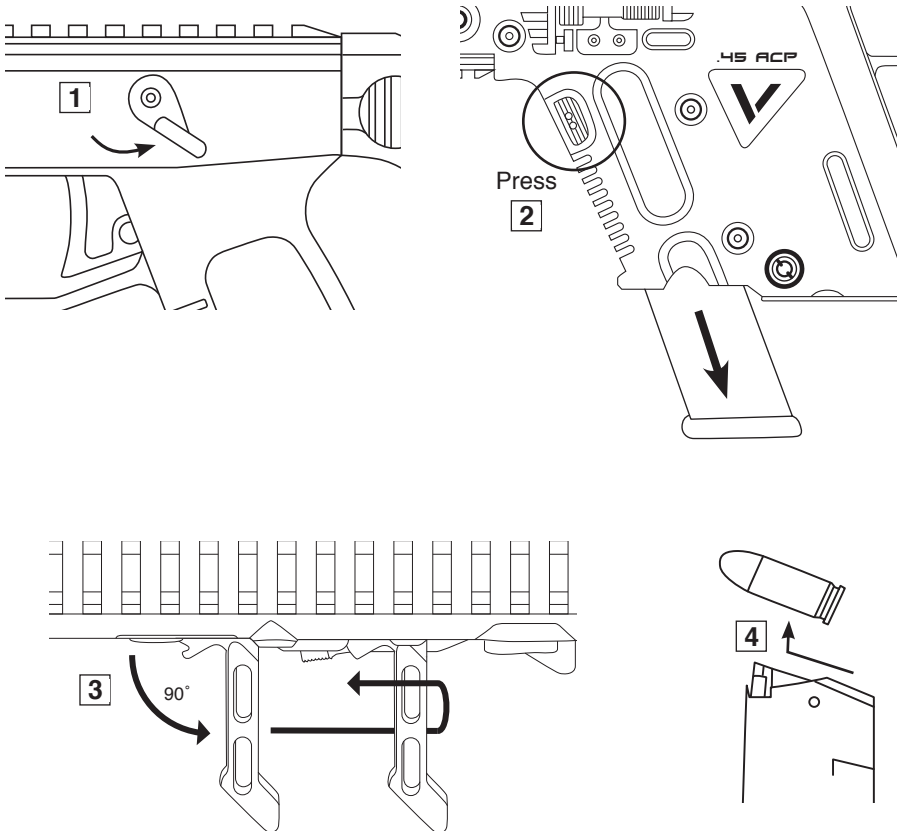


HANDLING AND OPERATION

Unloading and Clearing

NOTE: When finished firing, ALWAYS place your finger outside the trigger guard with the barrel maintained in safe direction and activate the safety.

1. Switch the firearm to the safe position.
2. Press the magazine release to remove the magazine.
3. Rotate the charging handle 90 degrees, with two fingers as close to the housing as possible, and pull the charging handle straight back firmly to extract any loaded rounds from the chamber. Repeat this step one or two more times to ensure the chamber is empty.
4. Remove all ammunition from the magazine.



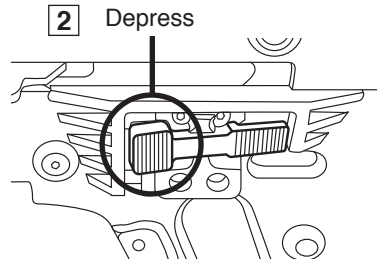
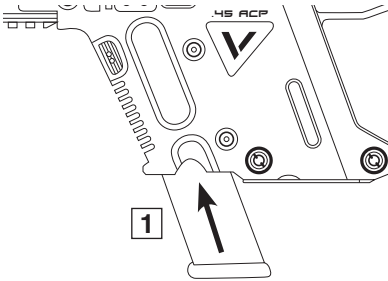
HANDLING AND OPERATION

Bolt Lock

When the magazine is fired until empty, the bolt will be engaged by the bolt catch, holding the bolt back in the retracted position.

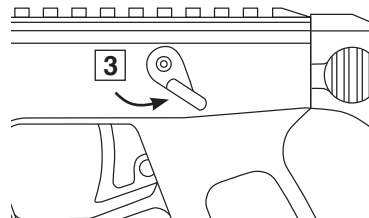
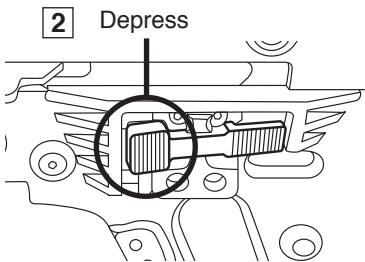
To continue firing

1. Replace the empty magazine with a loaded magazine.
2. Press the bolt release button to load the firearm.



When firing is complete

1. Remove the magazine and press the bolt release to close the bolt.
2. Set firearm to safe.



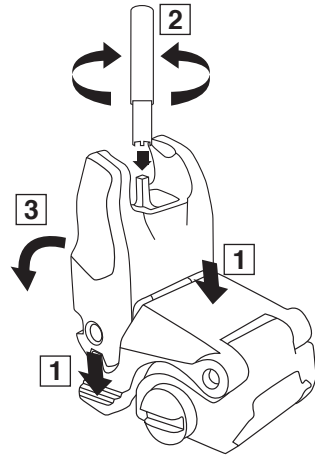
HANDLING AND OPERATION

Sight Adjustment

NOTE: The KRISS Vector is equipped with an AR-Type BUIS system that is engineered only for the KRISS Vector firearm. Other iron sights will not work on the KRISS Vector, and the KRISS custom sights will not work on other firearms.

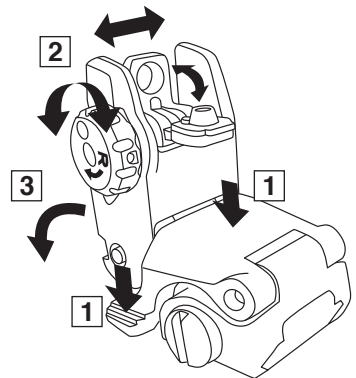
Front sight

1. Press on the sight flip button on either side or the front portion of the sight to deploy the front sight.
2. Adjustment for elevation will require the use of an A2 sight post tool.
 - Rotate the sight clockwise (downward) to raise the point of impact.
 - Rotate the sight counter-clockwise (upward) to lower the point of impact.
3. Flip down the front sight to stow the front sight in the lowered position.



Rear sight

1. Press on the sight flip button on either side or the front portion of the sight to deploy the rear sight.
2. Turn the adjustment knob to move the aperture.
 - Turn the knob clockwise (indicated with an “R” and an arrow on surface of the knob) to move point of impact to the right.
 - Turn the knob counter-clockwise to move point of impact to the left.
3. Flip down the rear sight to stow the rear sight in the lowered position.



HANDLING AND OPERATION

Disassembly

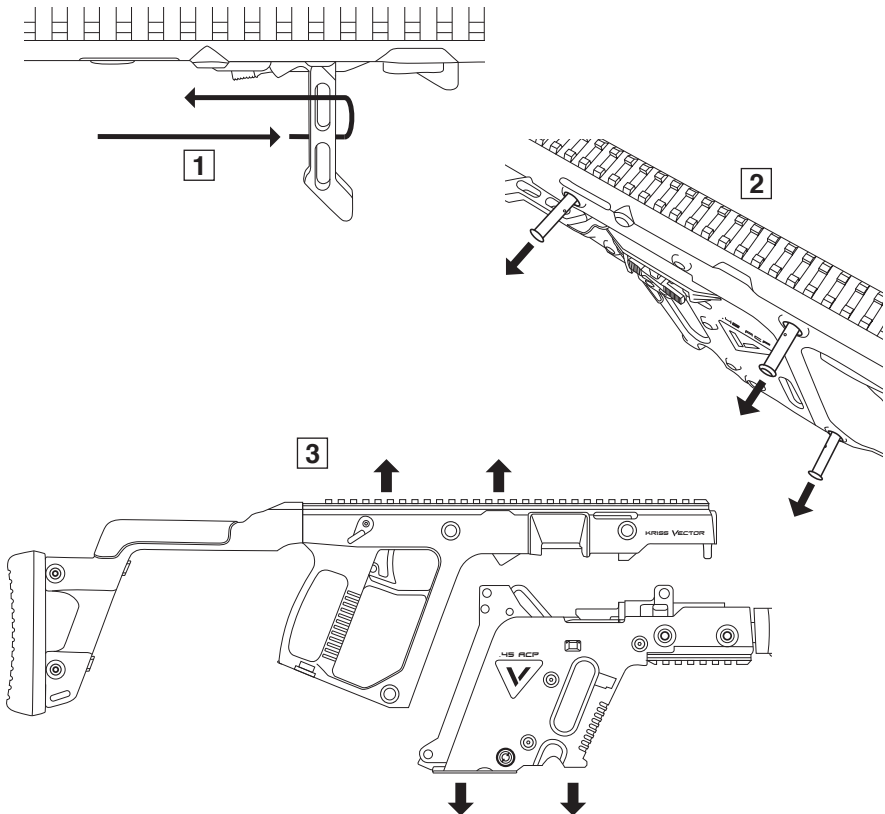


Check to ensure that the magazine has been removed and that chamber is cleared. (See Unloading and Clearing section)

1. Pull the Charging handle back to reset the hammer. **NOTE: Ensure the bolt is in battery prior to step 2.**
2. Remove the first 3 break down pins
3. Separate the housings by pulling straight up on the upper receiver and down on the lower receiver.



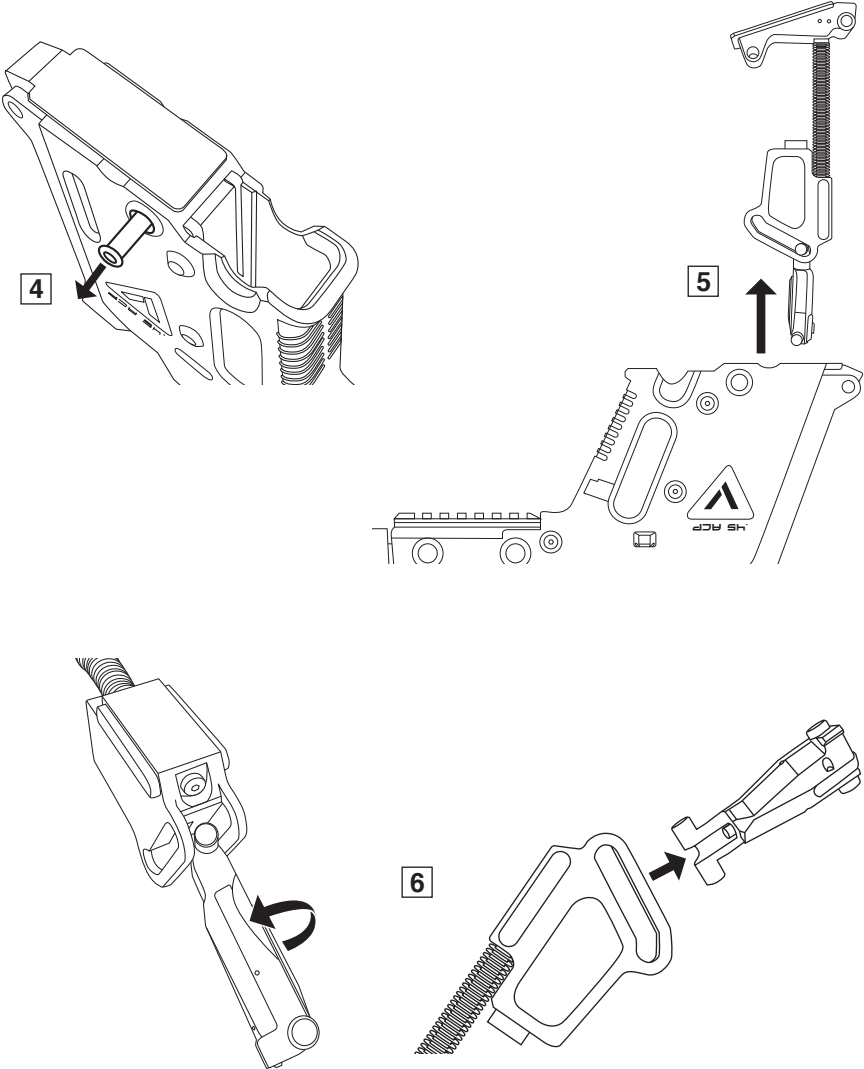
Do not release the hammer when the upper receiver has been separated from the lower, doing so could cause damage to the ejection port.



HANDLING AND OPERATION

Disassembly

4. Rotate the lower receiver upside down and remove the final 4th pin.
5. Pull on the bolt assembly up and out of the receiver.
6. Rotate the bolt to remove slider assembly.



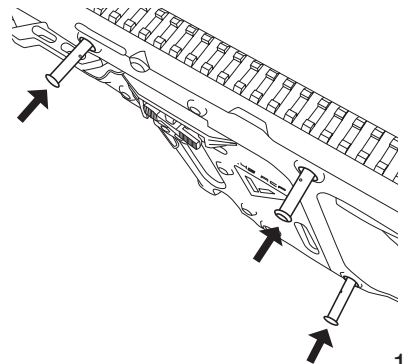
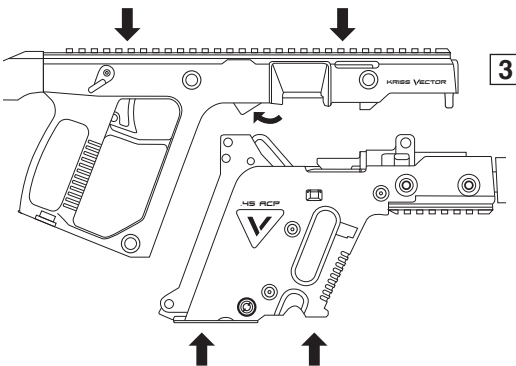
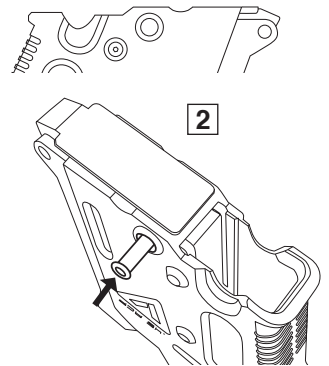
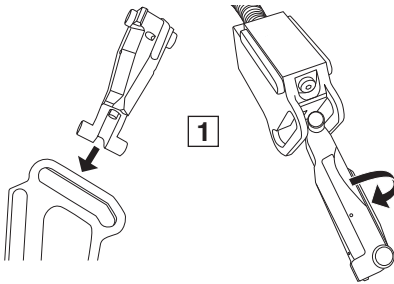
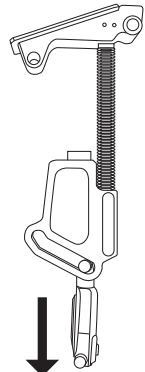
HANDLING AND OPERATION

Assembly

1. Rotate the bolt back into the bolt carrier.
2. With the lower receiver upside down, slide the bolt lugs into the front corresponding slots and the slider rails into the rearward slots. Slide the entire assembly into position and secure with a break down pin.
3. Ensure that the hammer is locked back, then mate the upper receiver to the lower receiver. Replace the body pins to secure the firearm.
4. With the firearm pointed in a safe direction, perform a function check and test to ensure proper operation of the firearm.



Ensure the bolt is oriented correctly and the bolt and slider assembly is properly assembled before installing into the lower receiver.



MAINTENANCE

Cleaning and Inspection

Your KRISS is like any other firearm in that it requires routine cleaning and lubrication maintenance every time you fire it. Every time you clean, always inspect for wear and damage and always clean and inspect if your firearm was stored for a long period of time

Generally and depending upon the ammunition used and the conditions which you shoot, we find the KRISS will require you to wipe down the bolt and slider raceways with a lint-free cloth and lightly lubricate approximately every 400 rounds. The more dusty and humid the environment, the more frequent the cleaning requirement. We recommend a complete teardown, cleaning and inspection at least every 1000 rounds.

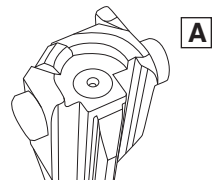


ALWAYS make sure your firearm is cleared before attempting any cleaning or maintenance.

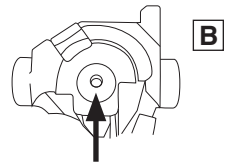
BOLT

Ensure the bolt face is clean and free of carbon build-up. Be especially careful to inspect and remove any build-up under portion of the extractor that extends into the bolt face.

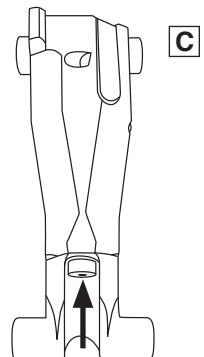
A. Fouling or build-up of carbon under the extractor may lead to poor extraction function and poor chambering function. Ensure the extractor has no cracks or chips and that the extractor pivot pin has not drifted from its hole. Ensure that the extractor spring tension has not weakened. Check by pushing up on the forward (bolt face) end of the extractor with your thumb; it should only move slightly and require considerable force to move it at all.



B. Inspect the bolt face to ensure there is no scoring or other damage and that the area surrounding the firing pin channel is clear of build-up.



C. Operate the firing pin by pushing it from the rear (Q-tip suggested) to ensure it moves freely and easily. Very little pressure will be required. Inspect the tip of the pin to ensure it is clear of build-up and not deformed in any way.

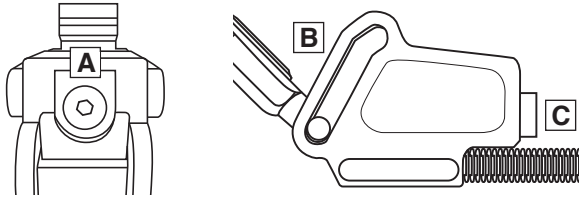


MAINTENANCE

Cleaning and Inspection

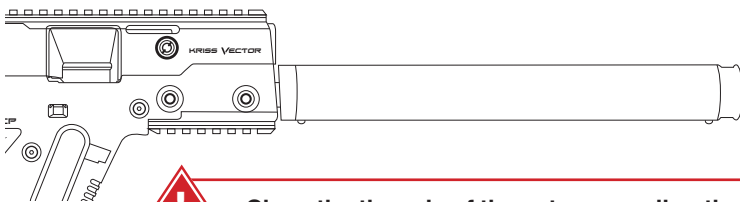
SLIDER

- A. Ensure the retaining screw at the top of the spring assembly in the slider is tight.
- B. Inspect the slider to ensure there are no cracks in the bolt retaining rails.
- C. Inspect the buffer to ensure there is no excessive wear and tear.



BARREL ASSEMBLY (Carbine model)

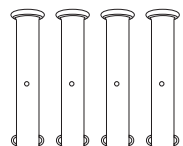
There is no maintenance required for the barrel shroud or the outside of the barrel covered by the shroud. Should you wish to remove the shroud, use a 2.0mm Allen Key to loosen the set screw on the underside of the barrel. Carefully slide the shroud from the barrel being careful not to tear the rubber O-ring at the muzzle end. To prevent tearing, it is a good idea to lightly lubricate this O-ring when reinstalling.



Clean the threads of the set screw, align the screw with the dimple on the barrel and use 1-2 drops of Loctite Red 263 when re-tightening the set screw. Always ensure this set screw is tight before firing!

ASSEMBLY PINS

Inspect the four takedown push pins to ensure they are undamaged. It is always a good idea to clean each of these, paying particular attention to those you use to secure the lower housing and receiver as these retain the operating mechanism.



MAINTENANCE

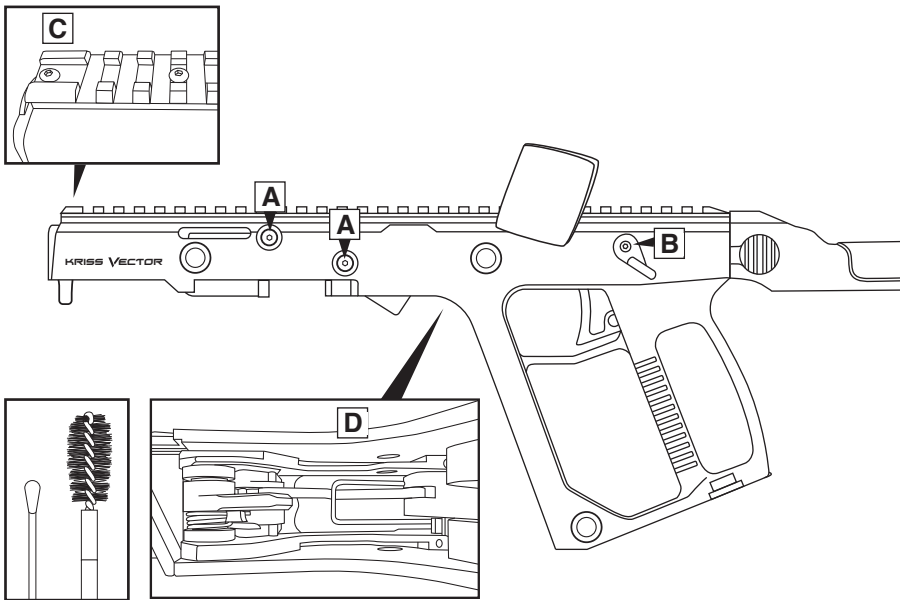
Cleaning and Inspection

UPPER HOUSING

To clean the upper housing, wipe it down using patches or a lint-free cloth. Use a Q-Tip and/or a nylon bristle brush to reach and clean the Fire Control Group (FCG).

Other upper housing items to inspect:

- A. Ejection port mounting screws.
- B. Ambidextrous F/S lever mounting screws: Make sure screws are tight and there is a positive click as the lever is switched back and forth.
- C. Picatinny rail retaining screws (forward end of rail): Make sure screw is tight.
- D. FCG and frame: Make sure FCG and frame is tight in the housing and debris-free.



Do not attempt to remove the FCG; there are no owner serviceable aspects to this assembly.

MAINTENANCE

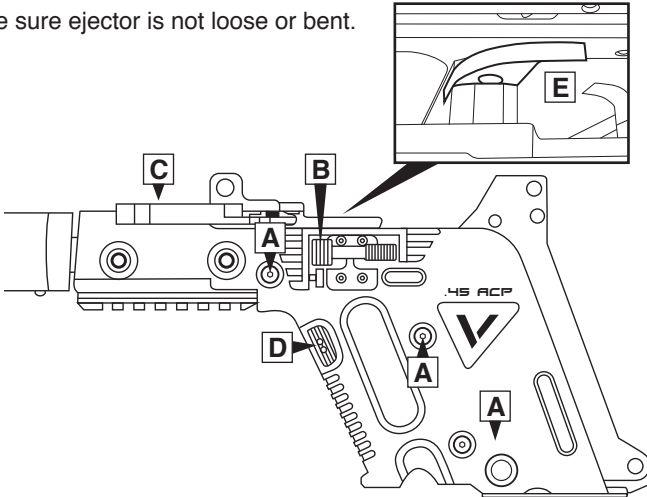
Cleaning and Inspection

LOWER HOUSING

Clean the lower housing as you would clean the upper housing.

Other lower housing items to inspect:

- A. Housing screws: Make sure screws are tight.
- B. Bolt catch/release lever mounting block screws: Make sure screws are tight.
- C. Charging handle: Make sure handle moves freely and its two return springs are intact and clean.
- D. Mag release button: Make sure button moves freely and area underneath is clear.
- E. Ejector: Make sure ejector is not loose or bent.



Function check

To perform a function check, with the magazine removed ensure that the firearm is clear and unloaded. Pull back on the charging handle with the firearm pointed in a safe direction and with an empty chamber, pull the trigger to release the hammer. An audible sound of the hammer releasing and striking the firing pin should be heard.

In order to check the trigger reset, continue to hold down the trigger after the hammer has struck the firing pin. While holding the trigger down, rack the gun again and slowly release the trigger. There should be an audible pop when the trigger resets. Repeat this step once more.

Finally, check that the Safety is operational. Place the gun on safe and attempt to pull the trigger. The Trigger should be locked and the hammer should not fall.

MAINTENANCE

Lubrication

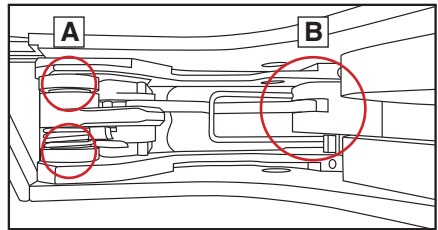
The key to long life and proper function of your firearm is the use of quality lubricant. As with any firearm, it is recommended that all metal parts be lightly lubricated before reassembly or storage in order to prevent corrosion.

Upper Housing/FCG:



Do not remove the FCG from the Upper Housing.

- A. Place two drops of oil on the hammer and hammer pivot pin.
- B. Add one drop on the trigger pivot pin and operate the trigger and hammer several times so that the oil works its way into the moving parts of the FCG assembly.



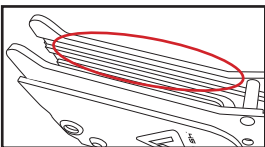
Do not release the hammer when the upper receiver has been separated from the lower, doing so could cause damage to the ejection port.

Lower Housing/FCG:

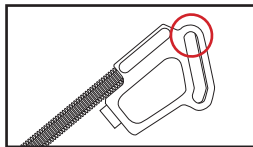
Lubricate as noted in the areas circled below:

- A. 2-3 drops in the left and right slider raceways.
- B. Thin coat of oil on the bolt lugs and slider bolt raceway figure, one drop of oil on the extractor pivot pin.
- C. Two drops on the charging handle assembly cycle the action to ensure proper coverage figures.

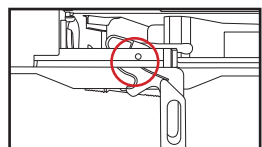
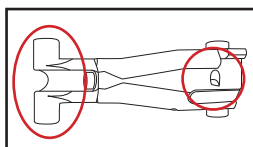
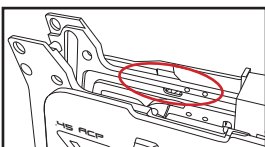
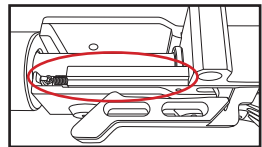
A



B



C



TROUBLE SHOOTING

The KRISS Vector has been designed to exacting standards and specifications to provide you with years of trouble free operation if properly cleaned, lubricated and inspected. However, if you experience a problem, please refer to the suggestions below. If the problem persists, please contact your local KRISS Certified Dealer or contact KRISS USA at 1.855.KRISS.US (574.7787).

Fault and defect	
<p>Stoppage Stoppages and malfunctions may occur for many reasons, or combination of reasons. Should a stoppage or malfunction occur when you are firing, immediately cease firing, place the firearm on safe, unload the firarm and remove the magazine. Diagnose the problem before attempting to fire again. Some common causes for most stoppages and maulfuctions are:</p>	
Possible cause	Solution
<p>Bolt not fully seated forward:</p>	<p>This stoppage can be caused by something as simple as dirty ammo or operating action, or by easing the bolt forward by hand. Immediately:</p> <ol style="list-style-type: none"> 1. Safe the firearm and point in a safe direction. 2. Check the chamber to ensure no double feed has occurred. Remove the magazine and lock the bolt back if you see any fouled rounds. Clear any fouled rounds from the chamber. Reinsert the magazine or replace magazine if necessary. 3. Charge the firearm to chamber a new round by operating the charging lever or releasing the bolt. 4. Switch the firearm to fire, aim down range and attempt to fire.
<p>Double feed:</p>	<p>This stoppage can be caused by a fouled chamber, a bad magazine or dirty ammunition. Anytime two rounds enter the feed ramp or chamber, immediately:</p> <ol style="list-style-type: none"> 1. Safe the firearm and point it in a safe direction. 2. Lock the bolt back and remove the magazine. 3. Clear the fouled rounds. 4. Check the magazine to ensure rounds are properly seated and are clean. 5. Reinsert the magazine, release the bolt, switch the firearm off safe, and attempt to fire.
<p>Reduced audible firing sound, smoke from the chamber or reduced recoil (squib round)</p> <p>Warning: Immediately cease firing should you experience any reduced audible report, reduced recoil or unusual smoking from the chamber when firing.</p>	<p>You may have a “squib” round situation in which a round does not fire completely due to a lack of propellant burn and the round may be lodged in the barrel causing a dangerous obstruction that, should another round be fired, may damage the firearm severely and cause potentially severe injury or death to the operator. Immediately:</p> <ol style="list-style-type: none"> 1. Safe the firearm and point it in a safe direction 2. Remove the magazine and eject or clear any remaining round from the chamber 3. Disassemble the firearm as instructed in the disassembly section. 4. Visually inspect the barrel from the chamber end and run a cleaning rod through the barrel to ensure that there is no bullet stuck in the bore. If you find a bullet in the bore, take the firearm to your KRISS dealer to have it removed and inspected professionally. You may damage the barrel if you attempt to remove the bullet from the barrel yourself. Do not attempt to fire until the firearm has been thoroughly and professionally inspected.

TROUBLE SHOOTING

Other common problems/causes

Fault and defect	Possible causes
Will not fire	<ul style="list-style-type: none"> i. Firearm is switched to safe ii. Fouled firing pin iii. Trigger failure to reset iv. Defective ammunition
Bolt failure to seat	<ul style="list-style-type: none"> i. Dirty bolt face ii. Dirty ammunition fouled chamber iii. Weak or failed mainspring iv. Easing the bolt forward by hand
Failure to feed or double feed	<ul style="list-style-type: none"> i. Dirty, defective or unapproved ammunition fouled chamber ii. Fouled bolt face/extractor iii. Weak or failed mainspring iv. Dirty or fouled bolt/slider assembly and raceways v. Magazine dirty, defective or failed to seat properly vi. Easing the bolt forward by hand
Failure to eject/extract (stovepipe)	<ul style="list-style-type: none"> i. Broken, chipped, worn, or fouled extractor or ejector ii. Weak extractor spring iii. Obstruction in ejection port iv. Dirty, defective or unapproved ammunition
Bolt fails to lock after last round fired	<ul style="list-style-type: none"> i. Fouled, bent, broken or loose bolt catch or bolt lock trigger/ lever ii. Faulty or improperly seated magazine iii. Dirty, fouled or damage magazine
F/S selector binds	<ul style="list-style-type: none"> i. Fouled trigger mechanism ii. Poorly lubricated F/S selector mechanism
Magazine Fails to seat/remain in firearm	<ul style="list-style-type: none"> i. Not fully seated; push firmly ii. Faulty or worn magazine iii. Non-GLOCK magazine used iv. Worn magazine release button, catch or spring v. *note lock bolt to rear prior to inserting magazine*
Trigger Failure to reset	<ul style="list-style-type: none"> i. Weak primary sear return spring ii. Dirty or fouled trigger mechanism or FCG iii. Damaged or broken hammer spring

LOCK, STORAGE, AND TRANSPORTATION

Lock

The KRISS Vector comes equipped with a custom cable lock that will satisfy all requirements for locking a firearm safely. Use of this lock does not override the requirement to always observe firearm safety procedures. However, it is your responsibility to know and comply with any State or Local regulations and restrictions that may affect how firearms must be stored where you live. KRISS USA recommends to always store your firearm unloaded, preferably locked and safe.

Storage

ALWAYS clean and lubricate your KRISS Vector before storing it for any length of time in order to prevent corrosion (see Maintenance section). Thoroughly inspect your firearm after removing it from storage and before firing it. Corrosion can impair functionality of important safety features and create a safety risk if you fail to inspect, re-clean and re-lubricate your firearm before firing.

Transportation

Transporting a firearm covers a wide and often confusing variety of Federal, State, and Local laws covering what you can and cannot do while traveling with your firearm. We believe the following websites can assist you in learning what the Federal requirements and restrictions are. For your State and Local regulations, we suggest you check with your local LE unit and your local KRISS Certified Dealer for assistance.

<http://www.tsa.gov/>

<http://www.tsa.gov/traveler-information>

<http://www.atf.gov/>

<http://www.atf.gov/content/firearms>

