

INSTRUCTION MANUAL FOR



RUGER® MINI-14® RANCH & MINI THIRTY® RIFLES



Mini-14® Ranch Rifle
with Hardwood Stock



All-Weather® Mini Thirty® Rifle



Mini-14® Tactical Rifle

– RUGGED, RELIABLE FIREARMS® –



**READ THE INSTRUCTIONS AND
WARNINGS IN THIS MANUAL CAREFULLY
BEFORE USING THIS FIREARM**

© 2022 Sturm, Ruger & Co., Inc.

This manual may not be reproduced in whole or in part without the express written permission of Sturm, Ruger & Co., Inc.

**For Service on This Model Please Call:
(336) 949-5200 (See p. 43)**

THIS INSTRUCTION MANUAL SHOULD ALWAYS ACCOMPANY THIS FIREARM AND BE TRANSFERRED WITH IT UPON CHANGE OF OWNERSHIP, OR WHEN THE FIREARM IS LOANED OR PRESENTED TO ANOTHER PERSON.

RUGER.COM

MS1 & KMS1/6-2022 R15

State-By-State Warnings

Certain states require by law that their own specified warning notices in larger-than-normal type be conspicuously included by the manufacturer, distributor or retailer with firearms sold in that state. Sturm, Ruger & Co., Inc. sells its products in compliance with applicable laws and regulations. Because our products may be sold in these states, we include the following:

California:

WARNING

“Firearms must be handled responsibly and securely stored to prevent access by children and other unauthorized users. California has strict laws pertaining to firearms, and you may be fined or imprisoned if you fail to comply with them. Visit the Web site of the California Attorney General at <https://oag.ca.gov/firearms> for information on firearm laws applicable to you and how you can comply.

Prevent child access by always keeping guns locked away and unloaded when not in use. If you keep a loaded firearm where a child obtains and improperly uses it, you may be fined or sent to prison.

If you or someone you know is contemplating suicide, please call the national suicide prevention lifeline at 1-800-273-TALK (8255).”

ADVERTENCIA

“Las armas de fuego deben manipularse de manera responsable y segura para evitar el acceso de niños y otros usuarios no autorizados. California tiene leyes estrictas relacionadas con armas de fuego, y usted puede ser multado o encarcelado si no las cumple. Visite el sitio web del Procurador General de California en <https://oag.ca.gov/firearms> para obtener información sobre las leyes de armas de fuego que le son aplicables y cómo puede cumplirlas.

A los niños los atraen las armas de fuego y las pueden hacer funcionar. Ellos pueden causarse lesiones graves y la muerte. Evite que los niños tengan acceso a las armas de fuego guardándolas siempre con llave y descargadas cuando no las esté utilizando. Si usted tiene un arma de fuego cargada en un lugar en que un niño tiene acceso a ella y la usa indebidamente, le pueden dar una multa o enviarlo a la cárcel.

Si usted o alguien que conoce está pensando en suicidarse, llame a la línea nacional de prevención del suicidio al 1-800-273-TALK (8255).”

Connecticut:

“UNLAWFUL STORAGE OF A LOADED FIREARM MAY RESULT IN IMPRISONMENT OR FINE.”

Florida:

“IT IS UNLAWFUL, AND PUNISHABLE BY IMPRISONMENT AND FINE, FOR ANY ADULT TO STORE OR LEAVE A FIREARM IN ANY PLACE WITHIN THE REACH OR EASY ACCESS OF A MINOR UNDER 18 YEARS OF AGE OR TO KNOWINGLY SELL OR OTHERWISE TRANSFER OWNERSHIP OR POSSESSION OF A FIREARM TO A MINOR OR A PERSON OF UNSOUND MIND.”

Maine:

“ENDANGERING THE WELFARE OF A CHILD IS A CRIME. IF YOU LEAVE A FIREARM AND AMMUNITION WITHIN EASY ACCESS OF A CHILD, YOU MAY BE SUBJECT TO FINE, IMPRISONMENT OR BOTH. KEEP FIREARMS AND AMMUNITION SEPARATE. KEEP FIREARMS AND AMMUNITION LOCKED UP. USE TRIGGER LOCKS.”

Maryland:

“WARNING: Children can operate firearms which may cause death or serious injury. It is a crime to store or leave a loaded firearm in any location where an individual knew or should have known that an unsupervised minor would gain access to the firearm. Store your firearm responsibly!”

Massachusetts:

“IT IS UNLAWFUL TO STORE OR KEEP A FIREARM, RIFLE, SHOTGUN OR MACHINE GUN IN ANY PLACE UNLESS THAT WEAPON IS EQUIPPED WITH A TAMPER-RESISTANT SAFETY DEVICE OR IS STORED OR KEPT IN A SECURELY LOCKED CONTAINER.”

New Jersey:

“IT IS A CRIMINAL OFFENSE TO LEAVE A LOADED FIREARM WITHIN EASY ACCESS OF A MINOR.”

New York:

“THE USE OF A LOCKING DEVICE OR SAFETY LOCK IS ONLY ONE ASPECT OF RESPONSIBLE FIREARM STORAGE. FOR INCREASED SAFETY, FIREARMS SHOULD BE STORED UNLOADED AND LOCKED IN A LOCATION THAT IS BOTH SEPARATE FROM THEIR AMMUNITION AND INACCESSIBLE TO CHILDREN AND UNAUTHORIZED PERSONS.”

North Carolina:

“IT IS UNLAWFUL TO STORE OR LEAVE A FIREARM THAT CAN BE DISCHARGED IN A MANNER THAT A REASONABLE PERSON SHOULD KNOW IS ACCESSIBLE TO A MINOR.”

Texas:

“IT IS UNLAWFUL TO STORE, TRANSPORT, OR ABANDON AN UNSECURED FIREARM IN A PLACE WHERE CHILDREN ARE LIKELY TO BE AND CAN OBTAIN ACCESS TO THE FIREARM.”

Wisconsin:

“IF YOU LEAVE A LOADED FIREARM WITHIN THE REACH OR EASY ACCESS OF A CHILD YOU MAY BE FINED OR IMPRISONED OR BOTH IF THE CHILD IMPROPERLY DISCHARGES, POSSESSES, OR EXHIBITS THE FIREARM.”

* * * * *

Please check with your licensed retailer or state police for additional warnings which may be required by local law or regulation. Such regulations change constantly, and local authorities are in the best position to advise you on such legal matters.

FIREARMS SAFETY IS YOUR RESPONSIBILITY

SAFETY MUST BE THE FIRST AND CONSTANT CONSIDERATION OF EVERY PERSON WHO HANDLES FIREARMS AND AMMUNITION.

This instruction manual is designed to assist you in learning how to use and care for your RUGER® MINI-14® RANCH or MINI THIRTY® rifle properly. Please contact us if you have any questions.

Only when you are certain you fully understand the manual and can properly carry out its instructions should you practice loading, unloading, etc. with live ammunition. If you have any doubts about your ability to handle or use a particular type of firearm safely, you should seek supervised instruction. Such personalized instruction often is available from local firearm retailers, gun clubs or police departments. If none of these sources can help, visit nra.org or write to the following address:

National Rifle Association
11250 Waples Mill Road
Fairfax, VA 22030-7400

The person possessing a firearm has a full-time job. You cannot guess; you cannot forget. You must know how to use your firearm safely. **Do not use any firearm without having a complete understanding of its particular characteristics and safe use.** Remember: There is no such thing as a foolproof firearm.

TABLE OF CONTENTS

State-By-State Warning	2
Nomenclature	8
Locking Device Installation Instructions	9
General Information and Mechanical Characteristics	11
Operation of Safety	12
The Bolt Lock	13
Ammunition	14
Mini-14® 300 BLK Ammunition Information	15
Magazines	16
Instructions for Using Higher Capacity Mini-14 Magazines	18
To Load and Fire (With Magazine)	21
To Load and Fire (Without Magazine)	22
To Unload	23
To Reload the Rifle	24
To Extract and Eject a Chambered Cartridge	24
To Remove a Bore Obstruction	24
To Clear a Malfunction (“Jam”)	26
To Minimize Malfunctions (“Jams”)	27
Disassembly	29
Reassembly	32
Check Your Rifle’s Function	33 - 34
Removal and Replacement of Fiberglass Handguard	34
Magazine Inspection and Care	35
Care and Cleaning	36
Maintenance of Stainless Steel Rifles	37
Storage	37
Attaching Ruger Scope Rings	38
Sight Adjustment	38
Length of Pull Adjustment (Target Model)	41
Harmonic Dampner Adjustment, Maintenance & Removal (Target Model)	41
Service and Parts Policy	43
Shipping Firearms for Repair	43
Ordering Parts	44
Parts Lists & Exploded Views	45 - 54
The Basic Rules of Safe Firearms Handling	55
Warranty Information	60

“RUGER” is a registered U.S. trademarks.



WARNINGS OF GREAT IMPORTANCE ARE FOUND ON THE FOLLOWING PAGES:

Locking Devices	9	Unloading	23
Alterations	11	Bore Obstructions	25
Manual Safety	12	Malfunctions	28
Ammunition	14	Disassembly	29
300 AAC Blackout	15	Lubrication	36
Lead Exposure	16	Storage	37
Firing	21	Harmonic Dampener Removal	42
Handling	22	Shipping	43
Sustained Firing	22	Parts Purchasers	44

OTHER CAUTIONS AND WARNINGS APPEAR THROUGHOUT THE MANUAL.

NOMENCLATURE

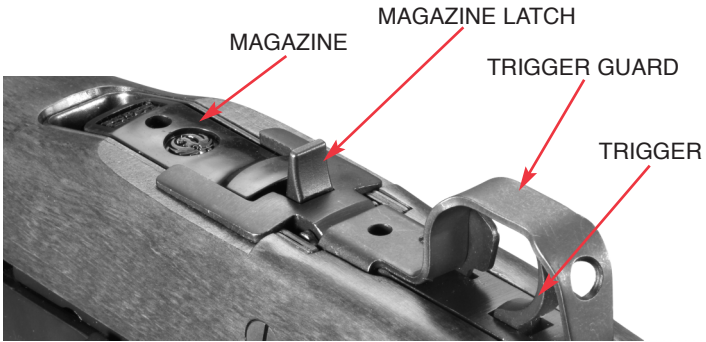
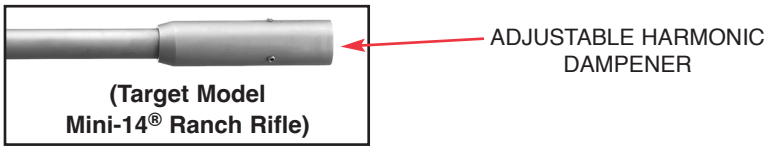
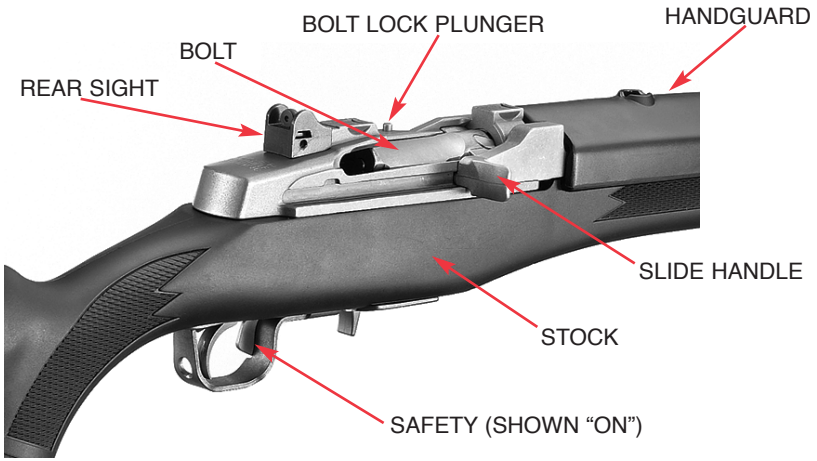


Figure 1. In these illustrations the frequently used operating components are identified. Note that the safety is rearward of the forward edge of the trigger guard and is therefore in its "ON" (safe) position.

LOCKING DEVICE INSTALLATION INSTRUCTIONS



WARNING – USE OF LOCKING DEVICES



**Do not store keys
in lock.**

- Always keep your firearm pointed in a safe direction, including when you are installing or removing your locking device.
- Always verify that your firearm is completely **unloaded** before installing your locking device.
- Do **not** install locking devices in the trigger guard; always keep your fingers and locking device outside the trigger guard during device installation and removal.
- Store firearms, ammunition and keys separately and securely, away from children and careless adults; do **not** store your firearm with the keys in the locking device.
- Do not attempt to work the action of your firearm with the locking device in place; this may damage your firearm.
- While locking devices are an important aid to security measures, they are not a substitute for safe firearm handling and proper storage. Remember that any mechanical device can be bypassed with enough time, knowledge, determination and equipment.

**LOCKING DEVICES MUST BE USED
SAFELY AND RESPONSIBLY**

It is important to use the locking device on your Ruger® firearm when the firearm is stored or immediate use is not planned.

To Install the Factory-Supplied Locking Device:

1. **Keep the muzzle pointed in a safe direction and your fingers outside the trigger guard at all times!**
2. **Remove the magazine from your rifle.**
3. **Open the action completely. Use the bolt lock to keep the action open during installation of the locking device.**
4. **Verify that the firearm is completely unloaded and contains no cartridges or cartridge cases!**

5. Insert the cable directly into your rifle as shown in Figure 2.
6. To lock: With the key turned to the farthest clockwise position, insert the loose end of the cable into the lock. Turn the key counterclockwise and remove the key.
7. Once the lock is securely closed, pull firmly on the lock to test the connection and be sure it is locked. **Do not leave or store your firearm with the key in the lock!** Store your locked unloaded firearm and the key in secure, separate locations, away from ammunition, children and unauthorized adults.



Correct installation of the lock on Ruger® Mini-14® Ranch & Mini Thirty® rifles.

**FIREARMS ARE DANGEROUS WEAPONS.
READ THE INSTRUCTIONS AND WARNINGS
IN THIS MANUAL THOROUGHLY AND
CAREFULLY BEFORE USING.**

 WARNING - ALTERATIONS	
	This product was designed to function properly in its original condition. Alterations can make it unsafe. Do not alter any part or add or substitute parts or accessories not made or sold by Sturm, Ruger & Co., Inc.
	DO NOT ALTER ANY FIREARM

GENERAL INFORMATION AND MECHANICAL CHARACTERISTICS

The RUGER® MINI-14® RANCH and MINI THIRTY® rifles are gas operated, box magazine fed, autoloading rifles. They are simple, reliable, and consist of a relatively few rugged components. The mechanism employs the Ruger fixed piston/moving cylinder gas system in conjunction with a simplified Garand-type rotating bolt. The Mini-14 Ranch and Mini Thirty Rifles can be field stripped for cleaning to their basic subassemblies in seconds without the use of tools. The Ruger Mini Thirty is similar, but not identical, to the Ruger Mini-14 series of rifles, and is adapted to an excellent deer hunting cartridge, the 7.62 x 39mm.

Music wire coil springs are used throughout the mechanism. The safety, located in front of the trigger guard, blocks both the hammer and sear and permits the slide to be cycled with the safety "ON." A bolt lock mechanism is provided for convenience in holding the bolt open for loading and inspection. The firing pin is retracted mechanically as the bolt starts to unlock and the rifle will fire only when the bolt is locked. On Ranch rifles so equipped, the one-piece American hardwood stock is reinforced with steel liners in stressed and high temperature areas. The handguard and forearm are separated from the barrel by an air space to promote cooling. The "All-Weather" model features a synthetic stock and stainless steel construction.

OPERATION OF SAFETY

The manual safety mechanism is located forward of the trigger for convenient operation and is “ON” when in its fully rearward position intruding into the trigger guard. (See Figure 3.) The safety can be moved to “ON” (extreme rearward position) only when the hammer is cocked. When the safety is “ON,” it blocks both the hammer and sear. **The safety should always be placed “ON” before loading or unloading the rifle and should be kept “ON” at all times except when actually firing.**

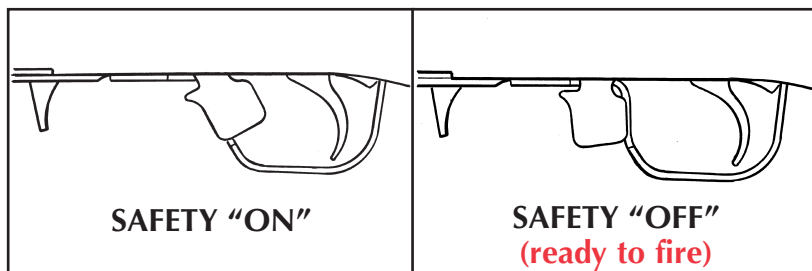

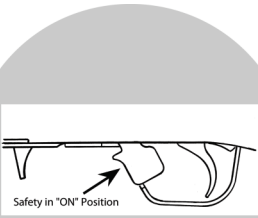


Figure 3

 **WARNING – MANUAL SAFETY**



Safety in "ON" Position

Keep the safety on unless actually firing. Always move the safety fully to its intended position and check it. The safety is not “ON” unless it is completely “ON.” Never depend on a safety mechanism or any other mechanical device to justify careless handling or permitting the rifle to point in an unsafe direction. The only “safe” rifle is one in which the bolt is open, the chamber is empty, and there is no magazine in the firearm.

KNOW HOW TO USE THE SAFETY

THE BOLT LOCK

The RUGER® MINI-14® RANCH rifle is designed so that the bolt remains open after the last shot has been fired, provided there is a magazine in the rifle. When the magazine is empty, the magazine follower actuates the bolt lock which is designed to retain the bolt and slide in their rearward position.

WARNING: The bolt lock is *not* a safety device. It should not be used to hold the bolt back when there are cartridges in the magazine. A slight jar to the butt end of the rifle will cause the bolt lock to disengage and to feed a cartridge into the chamber.

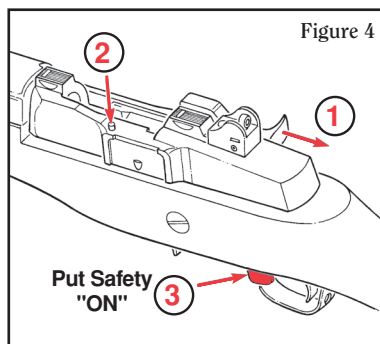
The bolt lock should be relied on only to hold the bolt in its rearward position when the chamber is empty and an empty magazine is in place. The only purpose of the bolt lock is for convenience in the rapid changing of magazines and for holding the bolt in its rearward position when the rifle is unloaded for the purpose of cleaning or inspection.

OPERATION OF BOLT LOCK

(STANDARD MINI-14 RANCH RIFLE SHOWN IN FIGURES 4 & 5)

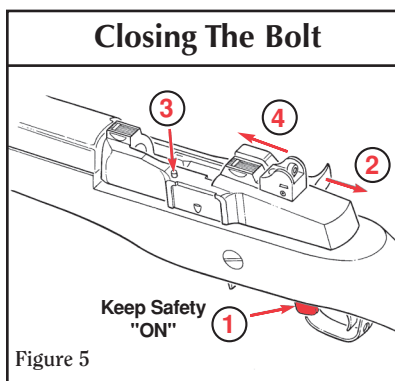
To manually engage the bolt lock to keep the bolt open: (See Figure 4.)

1. Pull the slide handle all the way to the rear.
2. Depress the bolt lock plunger and allow the slide to move forward until it stops.
3. Put the safety "ON" (push fully rearward).



To release the slide (which allows the bolt to go forward) keep the safety "ON" and either:

1. Remove the magazine, draw the slide handle to the rear and release, or;
2. With an empty magazine in place, draw the slide handle fully to the rear and hold it there. Then, while holding the slide handle, depress the magazine follower slightly with the thumb, remove the thumb, and then allow the slide to go forward. (See Figure 5.)



CAUTION: The slide is under heavy spring tension and can injure fingers when it slams shut.




AMMUNITION

RUGER® MINI-14® RANCH rifles are offered in two calibers: .223 Remington (5.56mm) and the 6.8mm Remington SPC. The Target Model uses .223 Remington cartridges *only*.

RUGER® MINI THIRTY® rifles are chambered for the 7.62 x 39mm cartridge and can use either standard U.S. military or factory loaded sporting cartridges manufactured in accordance with U.S. industry practice. Do not attempt to use any other cartridges in this rifle even though “7.62mm” may appear in their names (*i.e.*, 7.62 x 51mm NATO [.308 Winchester]; 7.62 Tokarev; 7.62 x 54 Rimmed Russian, etc.).

The Mini-14® Ranch and Mini Thirty® rifles are designed to use either standardized U.S. military, or factory loaded sporting cartridges manufactured in accordance with U.S. industry practice. Always be careful to ensure you are using the correct ammunition for your rifle. See “Warning - Ammunition” & “Ammunition Notice,” below.

USE ONLY FACTORY AMMUNITION LOADED TO U.S. INDUSTRY STANDARDS

 WARNING – AMMUNITION	
	<p>Use only new, factory ammunition of the correct caliber.</p> <p>Death, serious injury, and damage can result from the wrong ammunition, bore obstructions, powder overloads or incorrect cartridge components. Even the strongest firearm can be “blown up” as a result of excess pressure.</p> <p><u>Always</u> wear shooting glasses and hearing protection.</p>
	IMPROPER AMMUNITION DESTROYS FIREARMS

AMMUNITION (CARTRIDGES) NOTICE

WE SPECIFICALLY DISCLAIM RESPONSIBILITY FOR ANY DAMAGE OR INJURY WHATSOEVER OCCURRING IN CONNECTION WITH, OR AS THE RESULT OF, THE USE IN RUGER FIREARMS OF FAULTY OR NON-STANDARD OR “REMANUFACTURED” OR HAND LOADED (RELOADED) AMMUNITION OR OF CARTRIDGES OTHER THAN THOSE FOR WHICH THE FIREARM WAS ORIGINALLY CHAMBERED.

RUGER® MINI-14® RANCH RIFLE

300 AAC BLACKOUT (300 BLK)

AMMUNITION INFORMATION



WARNING – 300 AAC BLACKOUT

Death or serious injury to the user and/or bystanders, as well as damage to the firearm, can result from use of the wrong ammunition. Just because a round of ammunition can fit into a firearm's chamber, barrel or action does not mean it is safe to use that ammunition in the firearm.

You should use only ammunition of the correct caliber in your firearm. The correct caliber of ammunition for this Mini-14® Ranch Rifle is 300 AAC Blackout (300 BLK). **DO NOT USE AMMUNITION OF ANY OTHER CALIBER.**

One way to verify that you are using the correct ammunition is to check the head stamp on the ammunition to confirm that it matches the caliber markings on your rifle. Some types of ammunition do not have markings on the head stamp of the cartridge. In that case, check the original ammunition packaging to determine its caliber. If you have any doubt about the caliber of the ammunition, you should not use the ammunition until you have it examined by a qualified person who can determine its caliber.

USE THE CORRECT AMMUNITION

NOTE: The RUGER® MINI-14® RANCH rifle chambered in 300 AAC Blackout (300 BLK) will function with both standard velocity (supersonic) and subsonic loadings of this cartridge. The operating system is optimized for firing supersonic ammunition unsuppressed and subsonic ammunition suppressed. Firing supersonic ammunition with a suppressor can possibly cause feeding malfunctions and/or shorten the rifle's service life. Firing certain subsonic ammunition without a suppressor may cause the rifle to "short stroke," resulting in ejection and feeding malfunctions.



WARNING – LEAD EXPOSURE



Discharging firearms in poorly ventilated areas, cleaning firearms, or handling ammunition may result in exposure to lead and other substances known to the State of California to cause birth defects, reproductive harm, and other serious physical injury. Have adequate ventilation at all times. Wash hands thoroughly after exposure.

**SHOOTING OR CLEANING FIREARMS
MAY EXPOSE YOU TO LEAD**

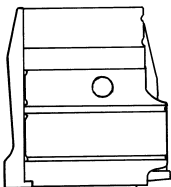
MAGAZINES

RUGER® MINI-14® RANCH rifles are offered in two calibers: .223 Rem. (5.56mm) and 6.8mm Rem. SPC. The Target Model Mini-14® rifle is chambered for .223 Remington ammunition *only*. The Ruger Mini Thirty® is chambered for 7.62 x 39mm ammunition only. USE THE MINI-14® RIFLE MAGAZINE AND AMMUNITION OF THE CORRECT CALIBER. DO NOT ATTEMPT TO USE MINI THIRTY® RIFLE MAGAZINES IN RUGER MINI-14® RANCH RIFLES. The three magazines are distinct and can be easily distinguished by looking at the bottom of the magazine, as follows:

**.223 caliber Mini-14®
Ranch Rifle Magazine**



Bottom

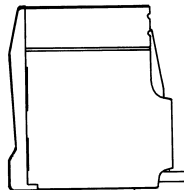


Side

**6.8 SPC Mini-14®
Ranch Rifle Magazine**



Bottom

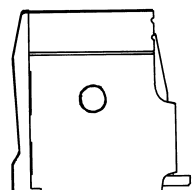


Side

**Ruger Mini Thirty®
7.62 x 39mm Magazine**



Bottom



Side

Never attempt to use 7.62 x 39mm ammunition in Ruger Mini-14® Ranch rifles, as it will not chamber correctly and will “jam” the action. As with any firearm, always wear safety shooting glasses and adequate hearing protection.

LOADING THE MAGAZINE

Use only clean ammunition of the proper caliber manufactured to U. S. Industry specifications, in good condition. (See Notice and Warnings in other sections of this manual pertaining to Ammunition.)

To load the magazine, align each cartridge with the bullet forward (pointing toward the hole in the front of the magazine body) and push downward until the cartridge snaps into place. Do not attempt to load more than the designated number of cartridges for which the magazine has been designed. RUGER® MINI-14® RANCH and MINI THIRTY® rifles are sold with 5 round Ruger magazines.

The RUGER® MINI-14® RANCH rifle .223 Remington and 6.8 Rem. SPC magazines are *not* interchangeable nor are they interchangeable with the RUGER® MINI THIRTY® rifle magazines. Do not use non-Ruger magazines – they may cause malfunctions.

DAMAGED, NON-STANDARD, OR IMPROPERLY ASSEMBLED MAGAZINES SHOULD NOT BE USED. THEY CAN CAUSE THE RIFLE TO MALFUNCTION.

INSERTING THE MAGAZINE

(STANDARD MINI-14® RANCH RIFLE SHOWN IN FIG. 6)

See Figure 6. The magazine may be inserted with the bolt either in the closed or open position (see “Bolt Lock” section p. 13).

NOTE: Fully loaded 10-round magazines should only be inserted into the rifle with the bolt locked open.

1. Hold the magazine at an angle as shown and insert all the way up into the magazine well. NOTE: There is a hole in the top-front portion of the magazine that mates with a stud on the inside of the receiver.
2. Pull the bottom of the magazine toward the trigger guard until the magazine latch at the rear of the magazine well engages. Check to be sure that the magazine is securely latched into place.

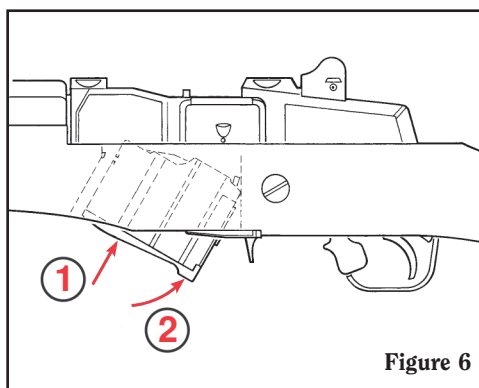


Figure 6

REMOVING THE MAGAZINE

To remove the magazine, simply push the magazine latch forward until the rear end of the magazine drops out of the magazine well. The magazine can then be withdrawn from the rifle. To minimize the possibility of damage and malfunctions, do not let the magazine drop to the ground (see Figure 13, p. 29).

INSTRUCTIONS FOR USING HIGHER CAPACITY MINI-14® RIFLE MAGAZINES

BE SURE THE MUZZLE OF THE RIFLE IS POINTING IN A SAFE DIRECTION.

PLEASE NOTE: The MINI-14® rifle magazine is not inserted or removed with a straight “up” and “down” procedure. Rather, the magazine must be inserted at an angle and then locked into place by rocking it in, front to rear, and removed by rocking it out, rear to front. Also, for higher capacity magazines (10-, 20-, or 30-round), relatively higher amounts of force may be required.

INSERTING THE MAGAZINE - Holding the magazine at the angle shown in Figure 7, insert the magazine into the magazine well as shown in Figure 8. As the small hole in the front of the magazine rides over the locating pin in the front of the magazine well in the receiver, you should both feel and hear the locating pin snap into the hole in the front of the magazine.



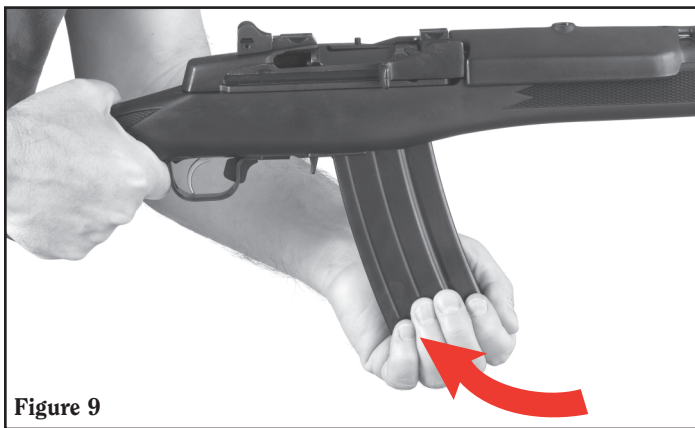
Figure 7



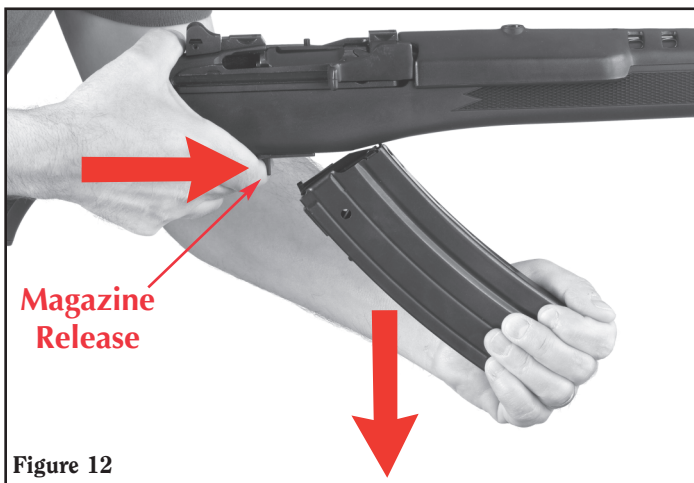
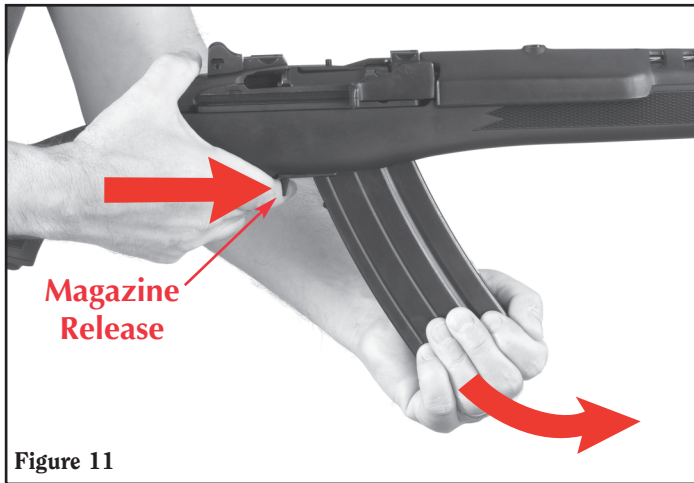
Figure 8

Once the front of the magazine is firmly seated, rotate (or rock) the bottom of the magazine to the rear as shown in Figure 9, until you both hear an audible click and feel the magazine positively engage the magazine catch in the rear of the magazine well. (See Figure 10.)

Once seated, test the magazine engagement by both rocking, forward and rearward, and pulling down, to ensure full engagement of the magazine within the magazine well.



REMOVING THE MAGAZINE - Push and hold the magazine release lever forward, while rotating (or rocking) the bottom of the magazine forward, until the rear of the magazine is released from the rear of the magazine well. (See Figure 11.) Still holding the release lever forward, continue to rotate the bottom of the magazine forward, while pulling down, until the magazine is completely free of the magazine well. (See Figure 12.) If the release lever is not held forward after the rear of the magazine is released, the magazine can still be removed, but it will require considerably more force to disengage the magazine from the front of the magazine well.



TO LOAD AND FIRE (WITH MAGAZINE)

Practice this important aspect of firearm handling (with an unloaded rifle) until you can perform each of the steps - described below - with skill and confidence. But before you do anything with the rifle, please first read completely through this manual. This procedure begins with an empty rifle with its magazine out.




1. Be certain the muzzle is pointing in a safe direction. (See Rule 2, p. 55.)
2. Before inserting loaded magazine, engage the bolt lock so the bolt is held open. Check the chamber to be certain it is empty. MOVE THE SAFETY TO THE "ON" POSITION. (See Figure 3, p. 12.)
3. Load a magazine with the desired number of cartridges.
4. Insert the loaded magazine into the magazine well, and immediately...
5. Draw the slide handle all the way to the rear and release it, allowing the slide to snap forward under full spring force. A cartridge will be stripped from the magazine and chambered by the motion of the bolt.

WARNING: If cartridges do not feed smoothly from the magazine into the chamber then do not use the rifle until the problem is corrected. (See "Warning - Malfunctions," p. 28.)

6. The rifle is now cocked and a loaded cartridge is chambered. Visually check to be certain the safety is in the "ON" position.
7. When you are ready to fire the rifle, move the safety to the "OFF" position.

WARNING: DO NOT TOUCH THE TRIGGER UNTIL YOU ARE ACTUALLY READY TO FIRE. KEEP THE SAFETY "ON" UNLESS ACTUALLY FIRING.

8. The rifle will fire one shot each time the trigger is pulled until the magazine is empty. Some of the gas produced by the combustion of the powder is used to push the slide and bolt to the rear, which extracts and ejects the fired cartridge case, recocks the firearm, and reloads a new cartridge from the magazine into the firing chamber.

 WARNING – FIRING	
	<p>The bolt automatically opens and shuts quickly while firing. Keep face and hands away from it. Hot brass and powder gas is ejected quickly and can burn you. The rifle should be fired from the right shoulder. Always wear shooting glasses and hearing protectors.</p>
	BOLT OPENS FAST – HOT BRASS EJECTED

9. Immediately following the firing of a shot, and if a subsequent shot is not to be fired at once, put the safety “ON” while the rifle is still pointing in a safe direction down range. The safety should be moved to the “ON” position as soon as firing is completed, and it should be “ON” at all times except when the rifle is on target and being fired.
10. When the last cartridge in the magazine has been fired, the bolt lock will automatically engage and hold the bolt and slide in the rearward, open position. CAUTION: Autoloading firearms have reciprocating bolts and slides. Do not position your fingers or face so these components can strike you when the firearm is fired.

! WARNING – HANDLING	
	<p>If dropped or struck with the safety “off”, the rifle may fire. Keep chamber empty unless actually firing! Keep safety “on” unless actually firing!</p>
ANY FIREARM MAY FIRE IF DROPPED	

! WARNING – SUSTAINED FIRING	
	<p>The Mini-14® Ranch rifle fires from a closed bolt. Sustained firing can create excessive heat in the barrel and can cause “cook-off” of ammunition (heat-firing of the cartridge in the chamber). This “cook-off” can occur a substantial period of time after firing has ceased. Always unload the firearm immediately after you have finished shooting.</p>
HOT BARREL CAN “COOK-OFF” (FIRE) CARTRIDGE IN CHAMBER	

TO LOAD AND FIRE (WITHOUT MAGAZINE)

The rifle can be used as a single shot rifle in the absence of a magazine or for safety or training purposes. To do so, follow step 1, p. 21. Then, manually load a cartridge into the chamber, and follow steps 5 and 6 p. 21, disregarding the magazine. Note that the bolt will not automatically lock open after the cartridge is fired and automatically ejected. Engage the safety between shots.



WARNING – UNLOADING



So that the rifle can be used as a single loader, it will fire whether or not a magazine is in the firearm if a cartridge is chambered. Removing magazine does not unload rifle! To unload, first remove magazine, then pull bolt to rear, eject chambered cartridge, and visually inspect chamber. The safety should always be in the “on” (safe) position when loading or unloading the rifle.

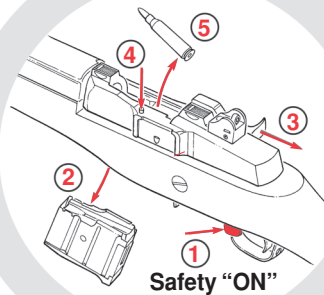
**FIREARM WILL FIRE WITH
MAGAZINE OUT**

TO UNLOAD

WARNING: This sequence must be followed exactly as spelled out. Failure to do so can result in the rifle’s chamber becoming unintentionally loaded with a cartridge!

1. Keep the muzzle pointed in a safe direction at all times and keep the fingers outside the trigger guard. **Move the safety to the “ON” position.**
2. Remove the magazine. **REMEMBER** that even though the magazine has been removed, a cartridge remaining in the chamber can still be fired!
3. Pull the slide handle all the way to the rear, extracting and ejecting the cartridge in the chamber. When the bolt is fully retracted, push down on the bolt lock plunger and then allow the slide to move forward until it comes to rest against the bolt stop.
4. **Always visually double check the chamber to be certain it is empty.**
5. The only “safe” rifle is one in which the bolt is open and the chamber and magazine are empty.

CORRECT UNLOADING SEQUENCE



(Standard Mini-14® Ranch Rifle Shown)

TO RELOAD THE RIFLE

1. Firing all cartridges in the magazine and the chamber will cause the bolt to automatically lock open. **Keep the rifle pointed in a safe direction.** Put the safety “ON.” Reloading can be accomplished by pressing forward on the magazine latch with the thumb or forefinger. The magazine will fall free of the rifle of its own weight. To avoid the possibility of damage to the magazine, do not let it fall to the ground unless rapid reloading is absolutely necessary.
2. Insert a loaded magazine. **WARNING: The bolt stop is held in place by a spring detent. Therefore, when there is a loaded magazine in place and the rifle is jarred, the bolt can fly forward and chamber a cartridge.**
3. Release the bolt to move forward by pulling the slide handle fully to the rear and release the slide. A cartridge will be chambered when the bolt shuts. **WARNING: The rifle is ready for instant use once the bolt moves forward.** If the rifle is not to be fired immediately, keep the safety “ON.” When you are ready to fire immediately, take the safety “OFF” and resume firing, putting the safety back “ON” whenever you cease firing, even for a moment.

TO EXTRACT AND EJECT A CHAMBERED CARTRIDGE

When the rifle is fired, the same gas pressure that drives the bullet forward acts through the gas port to push the slide and bolt to the rear. This action causes extraction and ejection of the fired cartridge case. If a cartridge fails to fire or if the shooter wishes to eject the chambered cartridge manually, follow the procedure “To Unload” step 3, p. 23. When the slide handle is operated there can be a failure to extract the cartridge from the chamber, or a failure to eject the cartridge clear of the rifle. These failures usually are the result of the slide handle not being pulled rearward vigorously. From the foregoing, it is clear that the firearm user must:



1. Always visually check the chamber and the breech-face after opening the slide to eject a chambered cartridge. If the slide is not vigorously retracted, the extracted cartridge can be “ejected” into the magazine area or remain held to the breech-face by the extractor.
2. Thoroughly clean the chamber and the extractor as often as necessary.

If an empty magazine is in the rifle when the slide handle is being retracted to extract a cartridge, the cartridge may drop on top of the magazine or remain held to the breech-face by the extractor. Then, when the slide goes forward, the cartridge will be chambered again! **REMEMBER -- always remove the magazine before clearing the chamber, and visually check to ensure that no cartridges remain in the firearm.**

TO REMOVE A BORE OBSTRUCTION

Rifles like the Mini-14[®] Ranch and Mini Thirty[®] rifles are particularly susceptible to damage from firing when the bore is obstructed. Excess oil, grease, water, or raindrops may form an obstruction which could cause damage and injury. If you suspect that your rifle may have excess oil, grease or cosmoline in

the barrel, or if it may have been exposed to humid conditions which could cause condensation, or to rain or snow which might have entered the bore, open the bolt and clean out the barrel. Inspect the bore visually to be sure that it is perfectly clear. (See “Warning - Ammunition,” p. 14 and “Care and Cleaning” section p. 36.)

 WARNING – BORE OBSTRUCTIONS	
	<p>Before loading or shooting your Mini-14® Ranch or Mini Thirty® rifle, be certain the bore is unobstructed. <i>Firing the rifle with any obstruction in the bore may result in severe damage to the rifle and serious injury to the shooter and other persons nearby.</i></p> <p>A MISFIRE or unusual report (sound) upon firing is always a signal to cease firing immediately. After waiting for one minute, remove the magazine, clear the chamber, lock the bolt open, and ensure that the chamber is empty. It is not sufficient to only examine the chamber in these instances. You must be certain the bore is free from obstructions. In some firearms, it will not be possible to easily make a determination by simply looking. In that case, you must use a rod to verify that the bore is clear. Failure to detect and correctly remove a bore obstruction can result in serious injury to the shooter and bystanders, and damage to the firearm.</p>
	DO NOT “SHOOT OUT” A BORE OBSTRUCTION

A firearm user should recognize that a lodged bullet is a fairly common form of bore obstruction. Therefore the following information on how a bullet may become lodged in the bore, and how it should be removed, deserves most careful reading and heeding!

1. When firing, a bullet may become lodged in the bore if the cartridge contains no powder, or the powder fails to ignite and only the primer charge ignites, producing insufficient force to propel the bullet out of the bore.
2. A bullet may also become lodged in the bore when extracting a cartridge from the chamber (unloading). If the bullet is not crimped tightly enough in the cartridge case, the bullet may stick in the bore, with only the case being extracted.

Experience indicates that the two conditions described above occur most frequently with *reloaded ammunition*.

When either of the above described (1 or 2) situations occurs, proceed as follows *with the rifle pointing in a safe direction*:

- a) If the rifle is cocked, move the safety to the “ON” position.
- b) Remove the magazine from the rifle.

- c) Retract the slide handle and lock it in the open position by pressing in the bolt lock plunger in the top of the receiver. Retracting the slide handle should remove the cartridge case. Be certain the safety is in the “ON” position.
- d) Check the chamber to be certain there is no cartridge case in it – if there is, extract it before proceeding with steps (e) and (f).
- e) **After making sure that the rifle is unloaded**, inspect the bore from the muzzle end of the barrel. If the bore is obstructed, insert a proper size cleaning rod (without a tip or brush) into the bore from the muzzle and dislodge and remove the bullet. If the bullet does not readily dislodge, it may be necessary to lightly tap the handle end of the cleaning rod. If such efforts fail to dislodge the bullet, take the rifle to a gunsmith. **DO NOT ATTEMPT TO REMOVE A LODGED BULLET USING A BLANK CARTRIDGE, OR A CARTRIDGE FROM WHICH THE BULLET HAS BEEN REMOVED, OR BY ANY MEANS OTHER THAN THE USE OF THE PROPER SIZE CLEANING ROD AND REASONABLE FORCE APPLIED TO THE ROD. BE CERTAIN ALL LOOSE POWDER HAS BEEN REMOVED FROM THE BORE AND ACTION BEFORE INTRODUCING THE ROD INTO THE BORE. NEVER TRY TO SHOOT OUT A BORE OBSTRUCTION!** See “Warning - Bore Obstructions,” p. 25.
- f) Reinspect the bore to be certain it is free of unburned powder particles or any other debris. At the same time clean the magazine, the magazine well, and other areas of the mechanism of unburned powder grains.

It is absolutely essential that steps (a) through (f) be followed if there is any suspicion that a bullet has been lodged in the bore because of the situations described in 1 or 2 above. Remember that a bullet can be lodged in the bore of a rifle just where the rifling begins, and a live cartridge can still be chambered and the bolt closed and locked. This can occur because the bullet in the chambered cartridge is pushed back into the cartridge case far enough to give the shooter the impression that the loaded cartridge has chambered normally.

Always check the bore for an obstruction if you experience difficulty in chambering a cartridge, experience a failure to extract, have a misfire, or the rifle does not make a normal loud report on firing.

RELOADERS SHOULD USE ONLY CANNELURED BULLETS AND BE SURE TO CRIMP THEM SECURELY IN THE CARTRIDGE CASE. NOTE: Sturm, Ruger & Co. specifically does not recommend the use of reloaded, hand-loaded or remanufactured cartridges. Please see “Ammunition Notice” p. 14.

TO CLEAR A MALFUNCTION (“JAM”)

Before “doing something,” study the situation to determine the nature of the jam and how best to clear it. Any autoloading firearm may occasionally malfunction. If it does:

1. **Be certain the muzzle is pointed in a safe direction and the safety is “ON.”**

2. When attempting to free a jammed cartridge, do not use any type of tool that is likely to act as a “firing pin” and discharge the cartridge should the tool impact on the primer. Never use a cartridge as a “tool.”
3. After clearing a jam, inspect the firearm mechanism to determine if dirt or debris might be the cause of the problem. Excess lubricant or grease can cause cartridges to feed sluggishly. An accumulation of grease, dirt or powder grains in the magazine can contribute to cartridge feeding problems.
4. After clearing a jam, inspect all cartridges that have been removed from the firearm. Safely dispose of any cartridges which are dented or nicked or have bullets that are loose or improperly positioned in the cartridge case.
5. If it appears that the firearm and magazine are not at fault and that the jam was caused by the type of cartridge being used, then try another type.
6. If the above procedures do not result in a smooth and reliable feeding firearm, don't use the firearm until it feeds cartridges smoothly and reliably. The rifle should be returned directly to our Newport, NH Customer Service Department for repair. See the “Service and Parts” section p. 43, for packing and shipping information.

Another precaution: Form the habit of examining fired cartridge cases from time to time. If fired cases have bulged heads or show splits on any part of the case, stop using that ammunition and return the rifle to the factory for inspection. (See page 43.)

7. If a cartridge or shell is caught between the bolt and receiver, put the safety “ON,” retract the slide, and lock it in the open position. Remove the magazine; then remove the jammed case.
8. If a fired case is in the chamber, use a cleaning rod to knock it out.
9. If an unfired cartridge is stuck in the chamber, remove it from the breech-end rather than trying to dislodge it with a cleaning rod inserted from the muzzle. Use a piece of 3/16” brass rod which has one end shaped like a screwdriver tip. Insert the tip in the extractor groove of the cartridge, use the face of the receiver ring as a fulcrum and carefully pry out the cartridge. **Be careful not to strike the primer area of the live cartridge!** Vigorously brush-clean the chamber with solvent after clearing any jam involving the chamber.

TO MINIMIZE MALFUNCTIONS (“JAMS”)




Autoloading firearms of all makes and types occasionally malfunction when a cartridge fails to feed from the magazine to the chamber, or when a cartridge (or fired case) fails to properly extract and eject.

To minimize the possibility of such occurrences the firearm user should:

1. Use ammunition of the correct caliber and type which is loaded to Industry Specifications. Avoid reloads, remanufactured cartridges, and cartridges that are dirty, corroded, or deformed. (See “Warning - Ammunition,” p. 14.)
2. Clean and lubricate the firearm in accordance with the instructions in this manual.

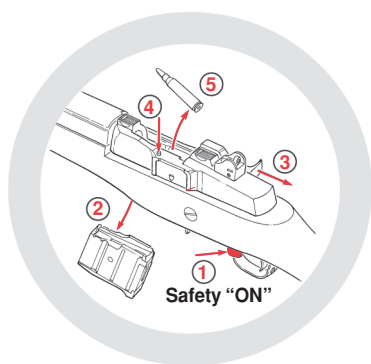
3. If the mechanism shows signs of not functioning correctly, or if a part is damaged or broken -- don't use the firearm. Have it inspected, and repaired. (See "Warning - Malfunctions," below.)
4. Use only genuine Ruger® Mini-14® Ranch rifle magazines and carefully load the magazine. Do not exceed the stated magazine capacity. (See "Loading the Magazine," p. 17.)
5. Do not 'ride' the slide handle when chambering a cartridge from the magazine. The slide should be drawn fully to the rear and then be permitted to snap forward under the full force of the recoil spring. If a cartridge does not fully chamber, do not 'pound' on the slide handle to force the bolt closed. Rather, retract the slide, eject the cartridge and determine the cause of the problem. (See "Warning - Bore Obstructions," p. 25.)
6. To minimize the probability of an unfired cartridge being jammed should it 'fall back' onto the magazine, remove the magazine *before* retracting the slide. When extracting an unfired cartridge, tip the right side of the rifle towards the ground so that gravity will assist the cartridge to fall clear of the magazine well. Always retract the slide briskly whenever extracting a live cartridge. Take care to see that a cartridge is not forcibly ejected against a surface where the primer might be set off.

Alterations to the rifle or use of non-Ruger magazines and accessories may cause malfunctions. See "Warning - Alterations," on page 11. If the above procedures do not result in a smooth and reliable feeding firearm, don't use the firearm. The rifle can be returned directly to our Newport, NH Customer Service Department for repair. See the "Service and Parts Policy" section, page 43, of this manual for packing and shipping information.

 <h2 style="margin: 0;">WARNING – MALFUNCTIONS</h2>	
	<p>A cartridge can be "discharged" before it is chambered if its primer receives a sharp blow. If a cartridge hangs up, jams, or binds when being chambered or when being fed from the magazine into the chamber, do not attempt to force it into the chamber by pushing or striking the bolt. Any jam or feeding problem is a signal to immediately stop using the firearm until it can be determined what is wrong. Most failures of a cartridge to feed or to chamber are caused by a damaged magazine, improper firearm handling, or defective ammunition. Whatever the cause, cartridge jams can result in the potentially very dangerous situation of a cartridge discharging before it is chambered. If this occurs, the cartridge case will rupture and its fragments will fly out of the firearm with sufficient force to cause injury. Always wear shooting glasses and hearing protectors! Keep face away from chamber!</p>
	<p>STRIKING RIM OR PRIMER CAN BURST CARTRIDGE</p>



WARNING – DISASSEMBLY



Always unload a firearm before cleaning, lubrication, disassembly or assembly.

**UNLOAD BEFORE
CLEANING**

DISASSEMBLY

BE SURE RIFLE IS UNLOADED!

(STANDARD MINI-14® RANCH RIFLE SHOWN IN FIGURES 13 - 21)

An on-line video demonstrating the disassembly and reassembly of the Mini-14® Ranch rifles can be viewed by going to Ruger.com/TechTips.

Although the Mini-14® Ranch and Mini Thirty® rifles can be disassembled, reassembled, and cleaned in almost any surrounding, it is preferable to carry out these procedures on a workbench or table which has a covered top. A piece of shallow nap rug or an old blanket is an ideal covering. Such a covering keeps the rifle from slipping and being scratched.

1. With the rifle pointing in a safe direction, safety “ON,” remove the magazine by pushing catch forward to release magazine, while drawing magazine down and forward (see Figure 13).
2. Pull the slide handle all the way to the rear and release. Make sure safety is “ON” (see Figure 14). NOTE: Hammer must be cocked and safety must be “ON” to accomplish disassembly and reassembly. Again, be sure chamber is empty!

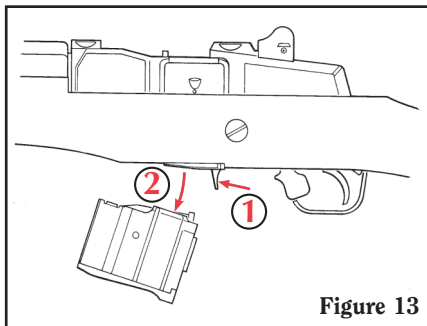


Figure 13

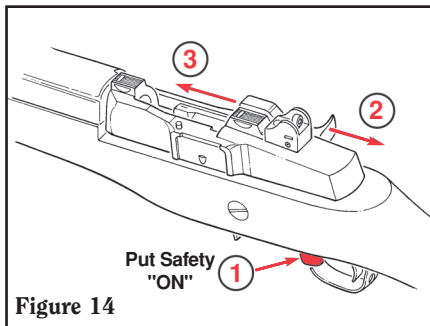


Figure 14

- Invert the rifle and use a 1/4" diameter steel rod, punch, screwdriver shank, or other suitable instrument inserted into the hole in the rear of the trigger guard as a lever to spring open the trigger guard from its latched position. (See Figure 15.)

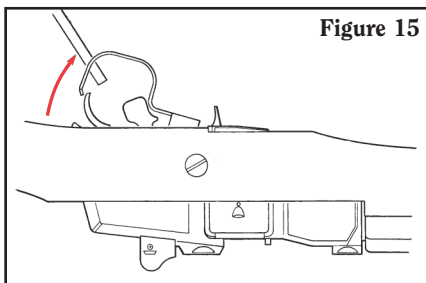


Figure 15

WARNING: Do *not* use a cartridge to unlatch the trigger guard because of the danger of loosening the bullet in the cartridge case (see Warnings in “Ammunition” section, p. 14).

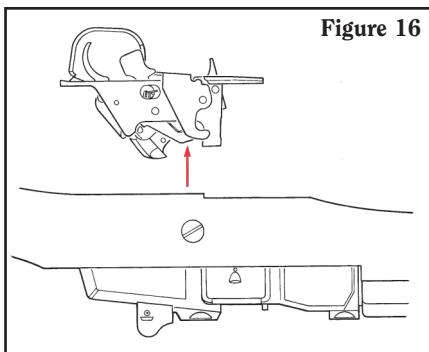


Figure 16

- Remove trigger housing assembly by carefully pulling it upward (see Figure 16). Be careful not to damage stock when removing or replacing the trigger housing assembly.

- Remove barrel/receiver assembly from stock by lifting the rear of the assembly out of the stock and then pulling the stock rearward out of engagement with the gas block. (See Figure 17.)

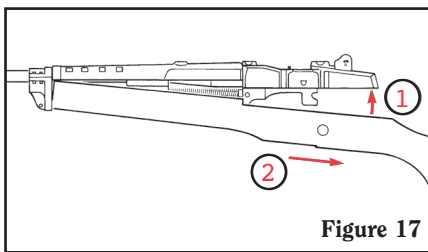


Figure 17

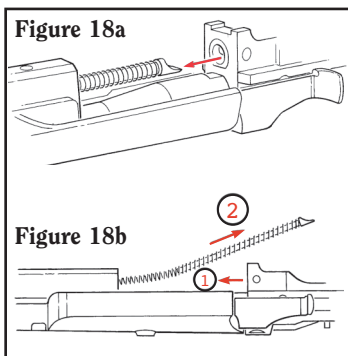


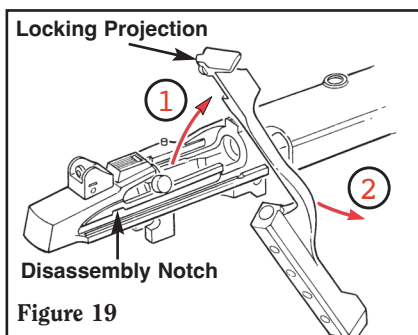
Figure 18a

Figure 18b

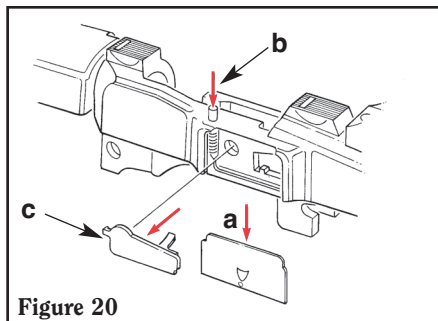
- Grasp the guide rod and recoil spring and move it forward to slightly compress the recoil spring and disengage it from the receiver. Next lift the guide rod and recoil spring and remove them by pulling rearward. (See Figures 18a and 18b.)

CAUTION: The recoil spring is heavily compressed — use eye protection and care when disassembling and reassembling to prevent the guide rod and spring from escaping forcibly and possibly causing injury.

7. Pull slide handle to the rear. Align the locking projection on slide with disassembly notch on receiver. Pull the locking projection through the disassembly notch and rotate the slide upward and out of the receiver. (See Figure 19.)



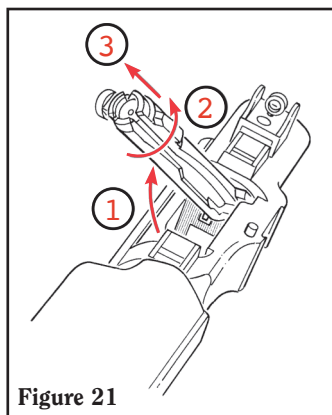
8. The bolt lock cover plate can be removed by tapping downward (with a soft metal punch) at point “a” (see Figure 20). With cover plate removed, depress bolt lock plunger “b”, which will allow the bolt stop “c” to be lifted out.



9. Pull the bolt forward until it can be pivoted up and out of receiver. Align firing pin projection with slot in lower receiver bridge and remove bolt from receiver (see Figure 21).

NOTE: It may be necessary to “wobble” the bolt to obtain proper alignment of the firing pin projection and slot and remove the bolt.

Removal of the bolt stop assembly is not normally required for routine cleaning.



NOTE: The Mini-14® Ranch and Mini Thirty® rifles are like the M1 Garand and many other types of autoloading rifles in that the hammer can fall if the trigger is pulled when the bolt is partially retracted. It is important for the shooter to realize that the firing pin cannot contact the cartridge until the bolt is safely locked, regardless of the position of the slide.

Removal of the gas block assembly is not necessary and is not advisable. The gas block assembly is factory fitted using special fixtures and torque tools. Attempting to fit the gas block assembly without the required special equipment can result in damage to the components and malfunctioning of the rifle. Further disassembly of the RUGER® MINI-14® RANCH or MINI THIRTY® rifles is not required for normal cleaning purposes and should only be performed by a trained armorer who is experienced in firearms repair.

REASSEMBLY

AGAIN, BE SURE RIFLE AND MAGAZINE ARE COMPLETELY UNLOADED!

1. Reassembly of bolt into receiver:

- a. Bolt can be reinserted by holding it at approximately a 45° angle to the receiver, with the rear end of the bolt angling downward. Insert the tail of the firing pin through the slot in the receiver bridge, and “wiggle” the bolt until its rear end moves back into the receiver. Then, push it forward to its closed and locked position. It should rotate and move freely into place.
- b. If you have removed the bolt stop (step 9, p. 31) reinsert the bolt lock plunger and spring into its hole in the top of the receiver. Depress the plunger until the rectangular cut in its side lines up with the round hole seen inside the receiver on the left side. **CAUTION! Plunger will now be under spring tension and could cause injury if suddenly released.** While holding the plunger against its spring in this position, insert the bolt stop until its rectangular “tab” goes into the rectangular cut on the bolt lock plunger. Sliding the bolt lock cover plate upward (prying it upward slightly with a screwdriver if necessary) completes reassembly of the bolt lock. Note that the large inverted triangular protection on the cover plate goes on the outside of the rifle.

2. Reinstalling remaining parts of barrel/receiver group:

- a. Retract bolt. Replace operating slide by angling the handle portion upward between the handguard and receiver ring; then lower the slide so that the cam track on the inside of the rod fits over the roller on the right locking lug of the bolt, and the tab adjacent to the slide handle goes into its track on the right side of the receiver.
- b. Push operating rod fully forward. Be sure that the gas piston fits into the hole in the front of the slide.
- c. Replace buffer bushing (open end goes toward front) and cross pin. The cross pin must be below flush with both sides of its hole. Be sure pin stays in place for next step.
- d. Hold action upside down as shown in Figure 18b, p. 30. Carefully insert recoil spring into hole in rear of slide, and compress the recoil spring until the end of the buffer guide rod can be reinserted into the buffer bushing (the projection on the guide rod should be between the buffer bushing cross pin and the barrel).

CAUTION! The recoil spring will be strongly compressed during this step and can fly out with considerable force, possibly resulting in injury. Keep it under your control and proceed with care.

3. Final reassembly of rifle:

- a. Replace stock by inserting its front end into the gas block at a slight angle. When the stock is correctly seated into the gas block, the stock can be swung down into full contact with the receiver.

NOTE: Only a light application of oil is needed to provide adequate lubrication of moving parts and to prevent rust. Excess accumulations of oil tend to attract particles of dust and dirt and may congeal in cold weather which can interfere with the safe and reliable function of the rifle.

- b. Insert the opened trigger housing assembly, safety “ON,” into the stock (the hammer must be cocked prior to insertion). When fully seated, swing the trigger guard fully into place until it locks shut. An audible “click” will be heard when it is correctly locked. Cycle the slide handle and safety a few times to be certain the components are correctly assembled. Put the safety back “ON.”
- c. Reinsert an empty magazine and fully withdraw slide. The bolt should lock open automatically.

FIREARMS SHOULD NOT BE STORED LOADED!

CHECK YOUR RIFLE’S FUNCTION

Periodic inspection of any firearm is important to ensuring its safe operation. It is important to clean and inspect your firearm after each range session or whenever the firearm has been exposed to sand, dust, moisture, humidity, or other adverse conditions. Proper maintenance increases the longevity of your firearm and will allow early detection of worn or broken parts.

Prior to each use, visually inspect the firearm to ensure no components are damaged, missing, loose, bent, cracked, chipped, or peened. If you observe excessive wear, you should stop using your rifle and contact customer service or a trained certified gunsmith to evaluate its condition and replace any worn parts if necessary.

After any disassembly and reassembly, it is important to verify that the action is working correctly before any live firing is attempted.

FIRST, BE SURE THERE IS NO AMMUNITION IN THE CHAMBER OR THE MAGAZINE AND KEEP THE RIFLE POINTED IN A SAFE DIRECTION!

a. CHECK THE BOLT FUNCTION:

- With the magazine removed from the rifle, pull the slide handle fully to the rear until it stops and release it. The bolt and slide assembly should operate smoothly and travel freely within the receiver without binding. When the slide assembly travels fully forward, the bolt should lock into battery.

Repeat this process two more times.

b. CHECK THE SAFETY FUNCTION:

NOTE: When the safety is moved to either the “on” or “off” position, a distinct “click” should be heard. If the safety seems to move too easily, or if the click is not heard when the safety is moved, stop using the rifle and contact Ruger Customer Service at 336-949-5200. For additional information regarding the safety, please refer to the “Operation of Safety” section of this manual.

- With the magazine removed from the rifle and the safety in the “off” position, pull the slide handle fully to the rear and release it. This should cock the hammer. Do not dry fire the rifle.
- Next, engage the safety by pushing it rearward into the “on” position and attempt to pull the trigger. With the safety in this position, the trigger’s movement should be restricted, and the hammer should not fall.

- Next, move the safety forward to the “off” position. The hammer should not fall when the safety is put in the “off” position so long as the trigger is not being pulled. With the rifle pointed in a safe direction, pull the trigger and listen for an audible “click” as an indication the hammer has fallen, striking the firing pin.
- Finally, after dry firing the rifle, ensure that the safety is in the “off” position. Pull and hold the trigger to the rear. Fully retract the slide handle to the rear and release it. The slide assembly should go into battery and the hammer should remain cocked. Slowly allow the trigger to move forward and reset by lessening pressure on it. You should be able to hear and feel a distinct “click” when the trigger resets. The hammer should not fall.

Repeat this process two more times.

c. CHECK THE BOLT LOCK FUNCTION:

- With the magazine removed from the rifle, pull the slide handle fully to the rear, and while holding it there, press down and hold the bolt lock plunger. Slowly release the slide handle, allowing the slide assembly to move forward slightly. The slide assembly should be held in its open position by the bolt lock.
- Next, insert an **EMPTY** magazine into the rifle. Pull back the slide handle to its rearmost position and let it go. The slide assembly should move forward slightly but remain held in its open position by the bolt lock. Remove the magazine from the rifle. The slide assembly should remain in its open position.
- Finally, pull the slide assembly handle fully to the rear and release it. This should cause the bolt lock to release the slide assembly and bolt and return them to their fully closed positions.

An on-line video demonstrating the disassembly, reassembly, and function check of the RUGER® MINI-14® RIFLE can be viewed by going to **Ruger.com/TechTips**.

If any of the above function checks fail or if you are uncertain, please consult a competent gunsmith or contact Ruger Customer Service at 336-949-5200 for further firearm inspection before using the rifle.

REMOVAL AND REPLACEMENT OF FIBERGLASS HANDGUARD

1. **MAKE CERTAIN THE RIFLE CONTAINS NO CARTRIDGES AND THAT IT IS POINTING IN A SAFE DIRECTION.**
2. Remove the magazine. Leave the slide in the forward position.
3. With the rifle flat on its side, apply substantial thumb pressure, with both thumbs, to the projecting underside of the handguard in the area of the retaining spring. (The spring is located underneath the circular projection on the top of the handguard.) The pressure should be applied so as to raise the rear portion of the handguard first.
4. To replace the handguard, put the forward end of the handguard under the top portion of the gas block (as far forward as possible) and squeeze the handguard down over the barrel.

MAGAZINE INSPECTION AND CARE

Check the magazine frequently. The follower must move freely and have adequate spring tension so that each cartridge is quickly raised to the feeding position.

To test the spring tension, load one cartridge into the magazine and then firmly press against the cartridge case. Remove your finger quickly. The cartridge should instantly and fully move in to the feeding position. If it does not, the magazine should be cleaned. **If cleaning does not restore proper spring tension, do not use the magazine.** (NOTE: After testing, remove the test cartridge.)

When cleaning is necessary, use a solvent that will not rust the metal components or adversely affect the plastic magazine bottom. The magazine may be disassembled by placing a small screwdriver through the hole located in the magazine bottom and depressing the magazine bottom retainer.

Carefully use the screwdriver to push the magazine bottom rearward as you push down on the spring-loaded bottom retainer. After the magazine bottom has been slid rearward off the magazine shell, carefully raise the rear end of the bottom retainer so that its two small lugs can be slid out the rear of the magazine and carefully remove the bottom retainer.

CAUTION! It is under spring tension from the magazine spring. The magazine spring and follower may now be removed from the bottom of the magazine shell, completing its disassembly. After the magazine has been soaked in solvent to loosen foreign matter, be certain to shake it vigorously (with the loading opening away from you) to remove solvent or residue from within the magazine.

Reassembly of the magazine can be accomplished by hooking the magazine spring into the hole in the magazine follower from the right side. Reinsert this assembly upwards into the magazine shell. Carefully compress the spring and slide the bottom retainer on from the rear. Finally, press the bottom retainer downward and slide the magazine bottom on from the rear.

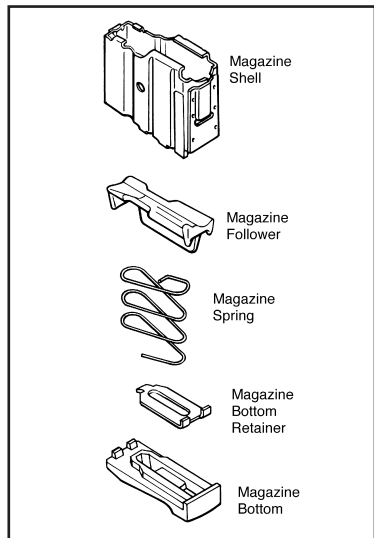


Figure 22. Exploded view of the .223 Rem. Mini-14® Ranch rifle magazine components. This illustration is included to show the relationship and names of the magazine components.

CARE AND CLEANING

BEFORE CLEANING, BE CERTAIN THE RIFLE AND ITS MAGAZINE ARE UNLOADED.



At regular intervals, or whenever the rifle has been exposed to sand, dust, extreme humidity, condensation, immersion in water, or other adverse conditions, disassemble, clean and oil it. Proper periodic maintenance is essential to the reliable functioning of any firearm.

An on-line video demonstrating the proper cleaning procedure of the Mini-14® Ranch rifles can be viewed by going to **Ruger.com/TechTips**.

To clean the rifle, proceed as follows:

1. Disassemble (field-strip) the rifle to the extent described on pages 29 - 31.
2. Using a cleaning rod, run a properly sized, solvent-wetted patch through the bore several times. Then attach a solvent-wetted bristle brush to a cleaning rod and run it back and forth the full length of the bore as many times as necessary to remove grease and dirt from the bore and chamber. Clean bore with dry patches and examine. Bore fouling can contribute to reduced accuracy, and grease accumulation in the chamber can interfere with proper feeding of cartridges from the magazine.
3. Using powder solvent on a clean patch or bristle brush, remove powder residue from all components of the mechanism. After cleaning, run a dry patch through the bore, then follow with a patch that is very lightly oiled. Wipe all surfaces clean with cloth, then wipe all surfaces with a patch or cloth that has been very lightly oiled.

NOTE: For rifles with wood stocks, use of cleaning solvents containing acetone can damage the finish of your wood stock.

 WARNING – LUBRICATION	
	Firing a rifle with oil, grease, or any other material even partially obstructing the bore may result in damage to the rifle and serious injury to the shooter and those nearby. Do not spray or apply lubricants directly on ammunition. If the powder of a cartridge is affected by the lubricant, it may not be ignited, but the primer firing may push the bullet into the bore where it may be lodged. Firing a subsequent bullet into the obstructed bore may damage the rifle and cause serious injury or death to the shooter and those nearby. Use lubricants properly. You are responsible for the proper care and maintenance of your firearms.
	IMPROPER LUBRICATION DESTROYS FIREARMS

MAINTENANCE OF STAINLESS STEEL RIFLES

Firearms and components made of stainless steel are relatively more resistant to corrosion than those of blued steel. However, in the interest of proper operation and long life of a stainless steel firearm, inspect it frequently and clean, lubricate and apply an appropriate rust preventative.

Sometimes discoloration occurs from perspiration or from contact with some types of firearm cases. Rusting may occur as a result of the firearm being exposed to moisture, salt air or chemicals.

Minor discoloration can usually be removed by rubbing the stainless area with an abrasive ink eraser, crocus cloth, or a “metal polishing” compound. When using any of these abrasives, proceed with care and use light pressure to achieve a blending of “color” with those areas that are not discolored.

External surfaces most subject to rusting from handling, or from exposure to the elements should be cleaned and wiped dry after use or after exposure to adverse conditions. If the rifle is to be stored, coat it with a light film of oil or preservative. Where the rifle is in continuing use, and the presence of oil or grease would be objectionable, then the external surfaces can be coated (after cleaning and drying) with a paste wax formulated for use on metals. Apply the wax sparingly, allow time for it to dry hard, then buff lightly with a soft cloth. When applying the wax, take care that it does not get into the mechanism or on the functioning parts or in the bore.

STORAGE

FIREARMS SHOULD NOT BE STORED LOADED!

USE THE LOCKING DEVICE SUPPLIED WITH THE RIFLE TO RENDER IT INOPERATIVE FOR SAFE STORAGE. (SEE PAGE 9)

Do not store the rifle in a leather case or scabbard. Leather attracts moisture, even though it may appear to be dry.

 WARNING – STORAGE	
	<ul style="list-style-type: none">• Never place or store any firearm in such a manner that it may be dislodged. Firearms should always be stored securely and unloaded, away from children and careless adults.• Use the locking device originally supplied with this firearm for storage. The use of a locking device or safety lock is only one aspect of responsible firearms storage.• For increased safety, firearms should be stored unloaded and locked in a location that is both separate from their ammunition and inaccessible to children and any other unauthorized person.
STORE SECURELY & UNLOADED	

ATTACHING RUGER SCOPE RINGS

Each Ruger telescope ring is a mated assembly of a top and a base. Do not mix the parts of the two ring assemblies as they are not interchangeable. On the underside of each mounting ring assembly there is an integral lug located off center with respect to the front and back sides of the mount. The lug is nearer to the front surface. By reference to the lug, the mounting can be correctly assembled with the front of the ring toward the muzzle of the rifle.

1. Disassemble one ring and reassemble over the scope body between the turret and the eyepiece. Remember - the lug on the base should be on the front side of the scope.
2. Install the four top screws. Do not tighten.
3. Disassemble the other ring and install it on the forward section of the scope tube with the lug forwardly also. Install the four top screws. Again, do not tighten.
4. Assemble the rings to the receiver with the lugs engaging the recesses in the top surface of the receiver. Tighten the clamp nuts so that the rings are locked to the semicircular cuts on the sides of the receiver.
5. Rotate the scope until cross-hairs are aligned properly and slide scope to desired eye relief. Then tighten the eight top screw each a bit at a time to grip the scope body.
6. Sight in according to the directions with your scope.

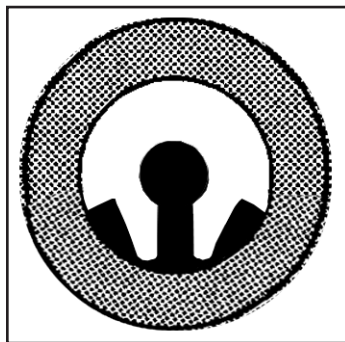
SIGHT ADJUSTMENT

(These Instructions Do Not Apply to the Target Model Mini-14[®] Rifle)

Shooting to determine the setting of the elevation slide (aperture) should be done from a bench rest and over a measured distance.

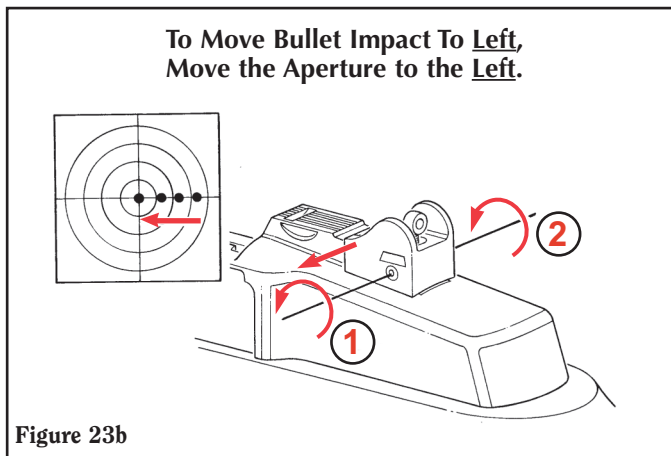
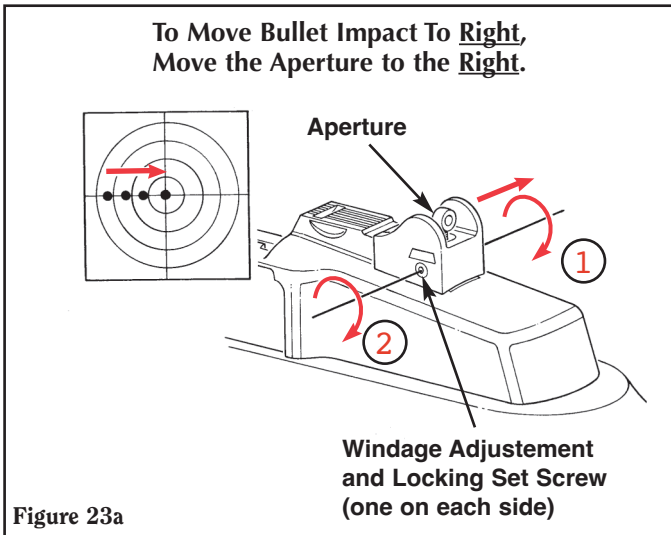
SUGGESTED SIGHT PICTURE

The front sight is aligned in the center of the rear sight aperture ("peep") and the target (bull's-eye) is positioned to appear as if it is sitting on top of the front sight.



WINDAGE ADJUSTMENT:

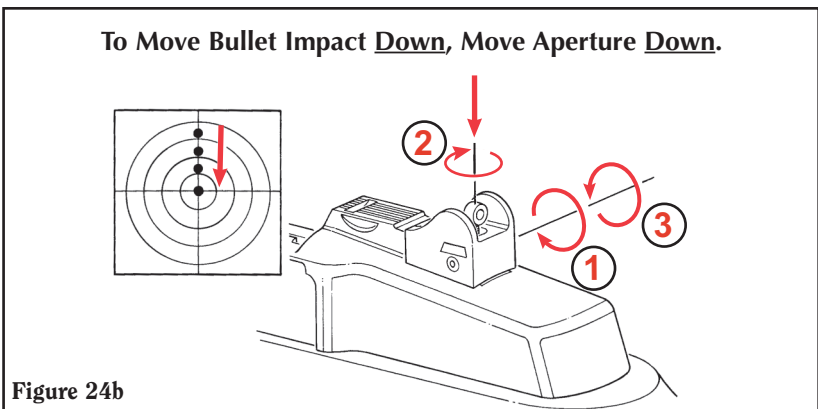
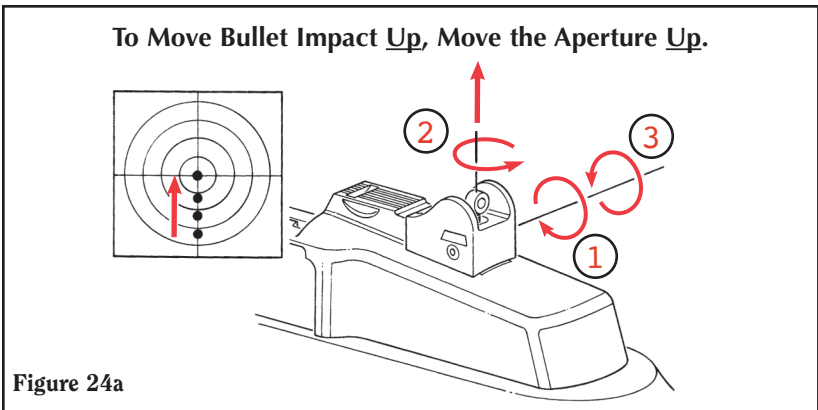
1. Loosen the combination windage adjustment and locking set screw (turn it counter-clockwise using a 5/64 hex wrench) on the side that matches the direction of intended aperture travel (right side first to move aperture right, left side first to move aperture left). (See Figures 23a and 23b.) Full turns are not required and any portion of a turn is acceptable. One complete rotation of the hex screw will move the point of impact approximately 5 inches at 100 yards.
2. Tighten the opposite windage adjustment and locking set screw. (See Figures 23a and 23b.) The aperture will be pushed and locked up against the screw that was adjusted in Step 1.



ELEVATION ADJUSTMENT:

1. Loosen one of the combination windage adjustment and locking screws one full turn (either one is fine, however, loosen only one so that the original windage adjustment is maintained).
2. Adjust the aperture by rotating it in half turn increments. Rotating the aperture clockwise will move the aperture down (and therefore the point of impact down as well). Rotating the aperture counter-clockwise will move the aperture up (and therefore the point of impact up). (See Figures 24a and 24b.) Rotating the aperture a single half turn (180 degrees) will move the point of impact approximately 1.25 inches at 100 yards.
3. Tighten the combination windage adjustment and locking screw that was loosened in Step One (See Figures 24a and 24b). The Aperture will move against the other screw and will be aligned to the half turn position.

WARNING: DO NOT TIGHTEN THE COMBINATION WINDAGE AND LOCKING SCREW WITH THE APERTURE NOT IN THE HALF TURN POSITION AS THIS WILL DAMAGE THREADS OF THE APERTURE.

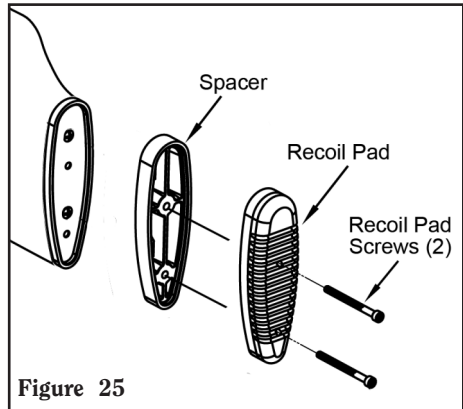


LENGTH OF PULL ADJUSTMENT

(Target Model Mini-14® Rifle Only)

The Target Model Mini-14® rifle (except the Hogue-stocked Target Model) comes from the factory with three 1/2" spacers (one installed on the rifle and two packaged separately) that allow you to adjust the length of pull from 14" to 15-1/2" in one-half-inch increments. As shipped from the factory with a single spacer installed, the length of pull is set at 14-1/2".

To adjust the length of pull, simply add or remove spacers, as desired. To add or remove spacers, use the allen wrench supplied with the rifle to remove the recoil pad screws affixing the recoil pad to the stock. (See Figure 25). Add (by stacking) or remove spacers to achieve the desired length of pull. Now reattach the recoil pad by installing the recoil pad screws using the allen wrench. Be careful not to overtighten the screws, which should just be snugged in place by turning the screws an additional 1/2 turn after the screw makes contact with the recoil pad.



HARMONIC DAMPENER ADJUSTMENT

(Target Model Mini-14® Rifle Only)

The harmonic dampener is adjustable to maximize accuracy for a particular bullet weight or load you are using. You should experiment with different harmonic dampener positions to determine the optimum position for your choice of ammunition.

The four harmonic dampener attachment screws attach the dampener to the barrel and engage helical grooves on the barrel. To adjust the harmonic dampener, loosen all four screws **1/2 turn**, which will allow you to rotate the harmonic dampener and move it up and down the barrel. Rotate the harmonic dampener counter-clockwise to move it toward the muzzle (see Figure 26). Rotate the harmonic dampener clockwise to move it away from the muzzle (toward the receiver) (see Figure 27).

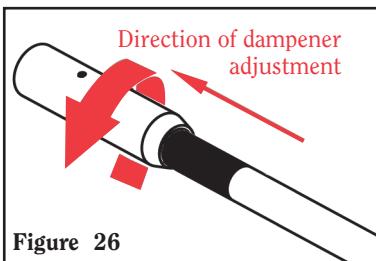


Figure 26
Rotating the harmonic dampener counter-clockwise moves it toward the muzzle.

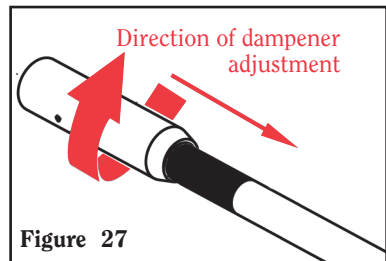


Figure 27
Rotating the harmonic dampener clockwise moves it toward the receiver.

HARMONIC DAMPENER MAINTENANCE

(Target Model Mini-14® Rifle Only)

Periodic tightening of the (4) harmonic dampener attachment screws is required for continued accuracy. We recommended tightening the screws before each shooting session. Periodic tightening with extensive firing in a single session i.e. every 100 rounds fired, also is recommended.



WARNING: IMPROPER REMOVAL OF HARMONIC DAMPENER CAN CAUSE DAMPENER TO LOOSEN DURING SHOOTING.

HARMONIC DAMPENER REMOVAL & INSTALLATION INSTRUCTIONS

(Target Model Mini-14® Rifle Only)

To remove the harmonic dampener, loosen all (4) harmonic dampener attachment screws **three (3) full turns**. Slide the dampener off the muzzle end of the barrel. **NOTE:** Never completely remove the attachment screws from the harmonic dampener.

To install the harmonic dampener, slide it over the muzzle end of barrel to the desired location and tighten the attachment screws into the helical grooves on the barrel. **NOTE:** The dampener must be located on the barrel so that the adjustment screws can engage the helical grooves.

SERVICE AND PARTS POLICY

If you have any question regarding the performance of your RUGER® MINI-14® RANCH or MINI THIRTY® rifle please contact our Customer Service online at **Ruger.com** or call the Customer Service Dept. at 336-949-5200. Fully describe all circumstances and conditions involved. If you should need to return your rifle to the factory for repair, or order parts for it, please comply with the following suggestions for prompt service:



WARNING: BEFORE SHIPPING ANY FIREARM, BE ABSOLUTELY CERTAIN THAT AND IT AND ITS MAGAZINE ARE UNLOADED. DO NOT SHIP CARTRIDGES WITH A FIREARM.

SHIPPING FIREARMS FOR REPAIR

NOTE: You must obtain a **Repair Authorization Number** before returning your firearm. An authorization number can be obtained by contacting Customer Service online at **Ruger.com** or calling the Customer Service Department at 336-949-5200. Firearms should be sent prepaid. We will not accept collect shipments. Any RUGER® MINI-14® RANCH or MINI THIRTY® rifle returned to the factory for repair should be sent to: Sturm, Ruger & Company, Inc., Customer Service Department, 411 Sunapee Street, Newport, NH 03773.

The Federal Gun Control Act, as well as the laws of most states and localities, do not prohibit an individual (who is not otherwise barred from purchasing or possessing a firearm) from shipping a firearm directly to the manufacturer for repair. However, before you ship your firearm to us, be certain that your state or locality does not have a law or regulation which will prohibit you from receiving the firearm (or any included magazines) from us after repair. If such receipt is prohibited, please have a federally licensed firearms dealer ship the firearm to us. If your firearm is sent to us by a dealer, it will be returned to that dealer after being repaired. If a handgun (pistol or revolver) is shipped by an individual who does not hold a Federal Firearms License, it must be shipped for overnight delivery via U.P.S., Federal Express or other, similar private overnight service. **NOTE:** Persons who do not hold a Federal Firearms License are prohibited by Federal law from shipping a handgun by U.S. Mail. Handguns mailed in violation of the law may be impounded or confiscated by the Post Office and the non-FFL may be subject to prosecution. Rifles and shotguns may be shipped via U.S. Mail.

Please do not include rifle cases, slings, telescopic sights, or custom accessories with a firearm being shipped to the factory for service. **DO NOT SEND FIREARM BOXES OR LITERATURE THAT YOU CONSIDER TO BE COLLECTOR'S ITEMS – THESE ARE INVARIABLY DAMAGED OR DESTROYED IN SHIPMENT.** Always insure your shipment.

Enclose a letter which includes your name, address, telephone number, firearm serial number and model, and repair authorization number. Describe in detail the trouble you have experienced with your firearm, or the work you wish to have done. Merely stating that the firearm “needs repair” is inadequate information. Please enclose copies of any previous correspondence.

All work performed is subject to a minimum labor charge and charges for shipping and handling. Most models can be reblued, but custom gunsmithing service or nonstandard alterations are NOT AVAILABLE from Ruger Customer Service Departments. Please contact the Customer Service Department for pricing information.



WARNING – PARTS PURCHASERS



- It is the purchaser's responsibility to be absolutely certain that any parts ordered from the factory are correctly fitted and installed.
- Firearms are complicated mechanisms and **IMPROPER FITTING OF PARTS MAY RESULT IN A DANGEROUS MALFUNCTION, DAMAGE TO THE FIREARM, AND SERIOUS INJURY TO THE SHOOTER AND OTHER PERSONS.**
- The purchaser and installer of parts must accept full responsibility for the correct adjustment and functioning of the firearm after such installation.

PARTS MUST FIT CORRECTLY

ORDERING PARTS

Please contact the Newport, New Hampshire Customer Service Department for parts availability and current prices. All parts ordered for the RUGER® MINI-14® RANCH or MINI THIRTY® rifles should be sent to: Sturm, Ruger & Company, Inc., Customer Service Department, 411 Sunapee Street, Newport, NH, 03773, 336-949-5200.

We cannot comply with open account or C.O.D. requests. Payment in full via credit card (Visa or MasterCard only), money order or certified bank check (no personal checks or cash, please) is required before any service will be performed. Please provide your credit card number, your name as it appears on the credit card, the expiration date, and the 3-digit security code. All parts orders are subject to a minimum charge and charges for shipping and handling. Order parts by **Part Name and specify the model and entire serial number** of the firearm for which the parts are being ordered. There is a minimum labor charge plus a shipping and handling charge if the parts are factory fit. All factory fit parts are fit on an exchange basis only. We will not return the replaced parts. Please contact the Customer Service Department for pricing information.

Barrels, and a number of other component parts must be fit at the factory. Company policy is to proof-test and/or function fire all barrels after fitting to the receivers in which they are to be used. This procedure ensures maximum protection to our customers. The special proof-test ammunition used in this testing is sold only to bonafide firearms manufacturers and is not available to firearm shops, gunsmiths, or individuals.

Because the receiver is a serial numbered component, it is defined as a "firearm" by Federal law and is not sold as a separate component.

*Parts designated by an asterisk must be factory fit. These parts are fit on an exchange basis only. We will not return the replaced parts. We will not return any part that is broken, malfunctioning, badly worn or has been modified. See "Warning — Parts Purchasers," above.



WARNING: A firearm containing broken, malfunctioning, or badly worn parts should not be fired.

RUGER® MINI-14® RANCH RIFLE

PARTS LIST

Design, prices and specifications subject to change without notice.

SPECIFY MODEL, CALIBER AND SERIAL NO. WHEN ORDERING
(See Exploded View on Page 47.)

Key No.	Part Name
* 1	Barrel
† 2	Receiver
3	Front Sight
4	Front Sight Cross Pin
* 5	Gas Block, Top & Bottom, 2 pieces
6	Sling Swivel, Front
7	Gas Block Screw, 4 Req'd
8	Gas Pipe
9	Gas Port Bushing
10	Slide Assembly
Bolt Assembly Includes Key Nos. 11 - 15	
11	Extractor
* 12	Firing Pin
* 13	Bolt
14	Extractor Plunger
15	Extractor Spring
16	Buffer Cross Pin
17	Buffer Bushing
18	Buffer Guide Rod
19	Slide Spring
Rear Sight Assembly – Complete	
Includes Key Nos. 20 - 23	
20	Rear Sight Base
21	Rear Sight Dovetail Slide
22	Rear Sight Windage Screw, 2 Req'd
23	Rear Sight Aperture
24	Bolt Lock Plunger
25	Bolt Lock Plunger Spring
26	Ejector Bolt Lock
27	Cover Plate
28	Rear Sight Attachment Screw
29	Trigger Bushing
* 30	Secondary Sear
* 31	Trigger
32	Secondary Sear Spring
33	Trigger Spring

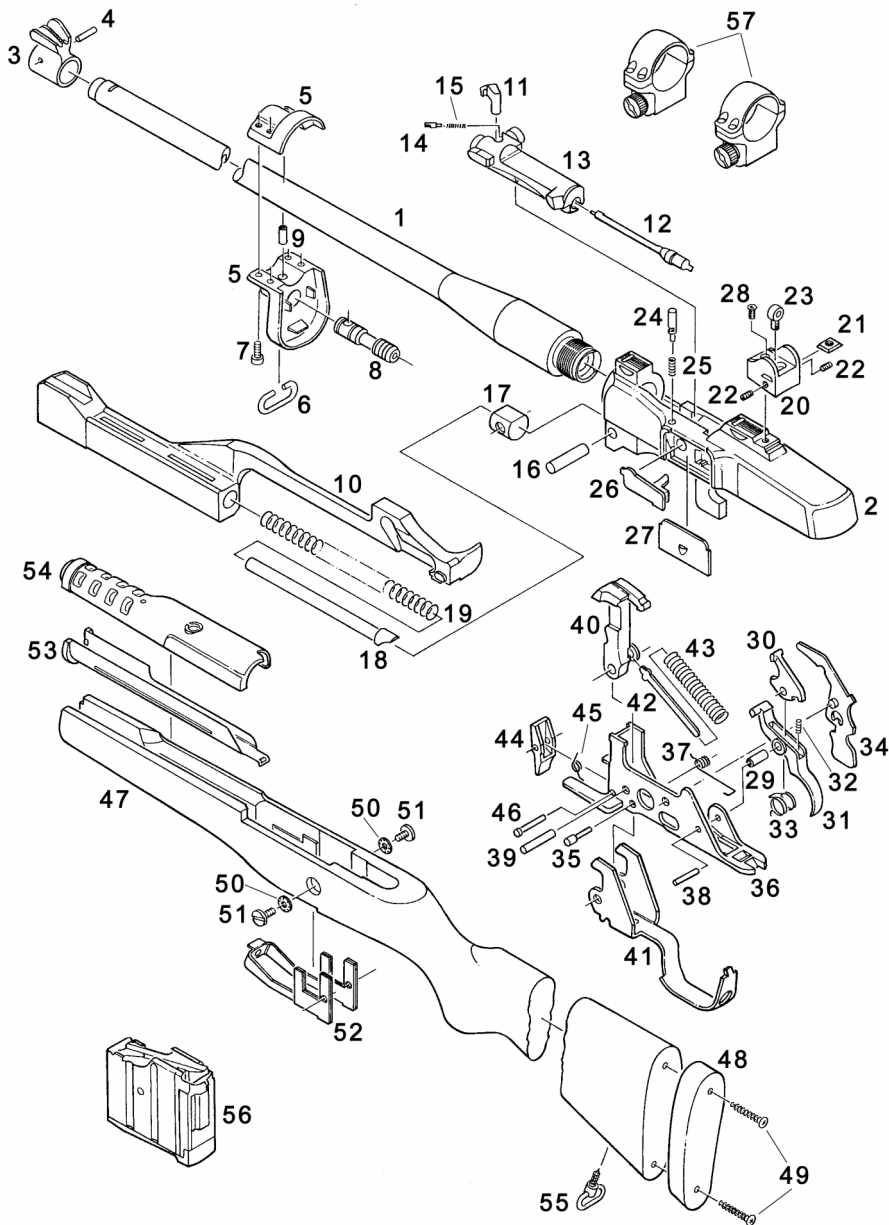
* PARTS SO MARKED MUST BE FACTORY FIT

† The receiver is a serial numbered component and is not sold as a separate component.

Key No.	Part Name
34	Safety Assembly
35	Safety Spring Retainer Pin
36	Trigger Housing
37	Safety Detent Spring
38	Trigger Pivot Pin
39	Hammer Pivot Pin
* 40	Hammer
41	Trigger Guard
Hammer Strut Assembly Includes Key Nos. 42 - 43	
42	Hammer Strut
43	Hammer Spring
44	Rear Magazine Latch
45	Magazine Latch Spring
46	Magazine Latch Pivot Pin
Stock Assembly Includes Key Nos. 47 - 49	
47	Stock
48	Butt Pad
49	Butt Pad Screws, 2 Req'd
50	Stock Reinforcement Lock Washer, 2 Req'd
51	Stock Reinforcement Screws, 2 Req'd
52	Stock Reinforcement
53	Forearm Liner & Stock Cap Assembly
54	Handguard Assembly
55	Sling Swivel, Rear
56	Magazine
57	Scope Rings, Complete Assembly

* PARTS SO MARKED MUST BE FACTORY FIT

RUGER® MINI-14® RANCH RIFLE EXPLODED VIEW (.223 REM. WITH WOOD STOCK SHOWN)



300 AAC BLACKOUT (300 BLK) SUPPLEMENTAL PARTS LIST & EXPLODED VIEW

Please See Pages 45 - 47 For All Other Parts Lists and Exploded View Drawings

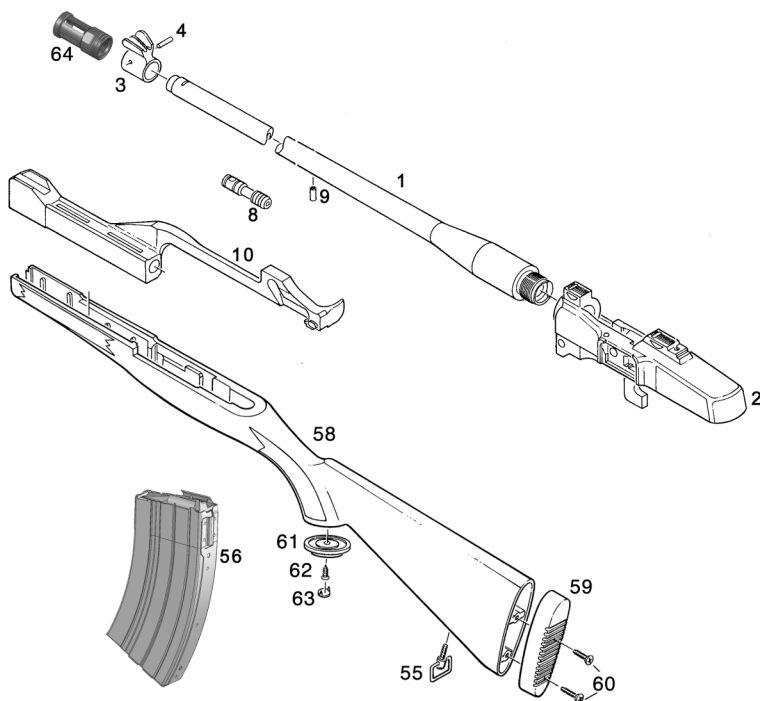
Key	Part Name
* 1	Barrel
† 2	Receiver
3	Front Sight
4	Front Sight Cross Pin
8	Gas Pipe
9	Gas Port Bushing
10	Slide Assembly
47	Stock Assembly, Plastic
55	Sling Swivel, Rear
56	Magazine, 20-rd

Component Parts for Plastic Stock Includes Key Nos. 59 - 63

59	Butt Pad
60	Butt Pad Screw, 2 Req'd
61	Pistol Grip Cap
62	Pistol Grip Cap Screw
63	Pistol Grip Cap Medallion
64	Flash Suppressor

* PARTS SO MARKED MUST BE FACTORY FIT

† The receiver is a serial numbered component and is not sold separately.



RUGER® MINI THIRTY® RIFLE

PARTS LIST

Design, prices and specifications subject to change without notice.

SPECIFY MODEL, CALIBER AND SERIAL NO. WHEN ORDERING

(See Exploded View on Page 51.)

Key No.	Part Name
* 1	Barrel
† 2	Receiver
3	Front Sight
4	Front Sight Cross Pin
* 5	Gas Block, Top & Bottom, 2 pieces
6	Sling Swivel, Front
7	Gas Block Screw, 4 Req'd
8	Gas Pipe
9	Gas Port Bushing
10	Slide Assembly
Bolt Assembly Includes Key Nos. 11 - 15	
11	Extractor
* 12	Firing Pin
* 13	Bolt
14	Extractor Plunger
15	Extractor Spring
16	Buffer Cross Pin
17	Buffer Bushing
18	Buffer Guide Rod
19	Slide Spring
Rear Sight Assembly – Complete	
Includes Key Nos. 20 - 23	
20	Rear Sight Base
21	Rear Sight Dovetail Slide
22	Rear Sight Windage Screw, 2 Req'd
23	Rear Sight Aperture
24	Bolt Lock Plunger
25	Bolt Lock Plunger Spring
26	Ejector Bolt Lock
27	Cover Plate
28	Rear Sight Attachment Screw
29	Trigger Bushing
* 30	Secondary Sear
* 31	Trigger
32	Secondary Sear Spring
33	Trigger Spring

* PARTS SO MARKED MUST BE FACTORY FIT

† The receiver is a serial numbered component and is not sold as a separate component.

Key No.	Part Name
34	Safety Assembly
35	Safety Spring Retainer Pin
36	Trigger Housing
37	Safety Detent Spring
38	Trigger Pivot Pin
39	Hammer Pivot Pin
* 40	Hammer
41	Trigger Guard
Hammer Strut Assembly Includes Key Nos. 42 - 43	
42	Hammer Strut
43	Hammer Spring
44	Rear Magazine Latch
45	Magazine Latch Spring
46	Magazine Latch Pivot Pin
Stock Assembly Includes Key Nos. 47 - 49	
47	Stock
48	Butt Pad
49	Butt Pad Screws, 2 Req'd
50	Stock Reinforcement Lock Washer, 2 Req'd
51	Stock Reinforcement Screws, 2 Req'd
52	Stock Reinforcement
53	Forearm Liner & Stock Cap Assembly
54	Handguard Assembly
55	Sling Swivel, Rear
56	Magazine
57	Scope Rings, Complete Assembly

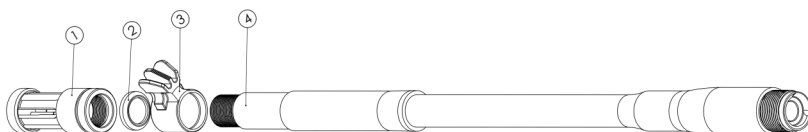
* PARTS SO MARKED MUST BE FACTORY FIT

RUGER® MINI-14® RANCH & MINI THIRTY® TACTICAL RIFLES

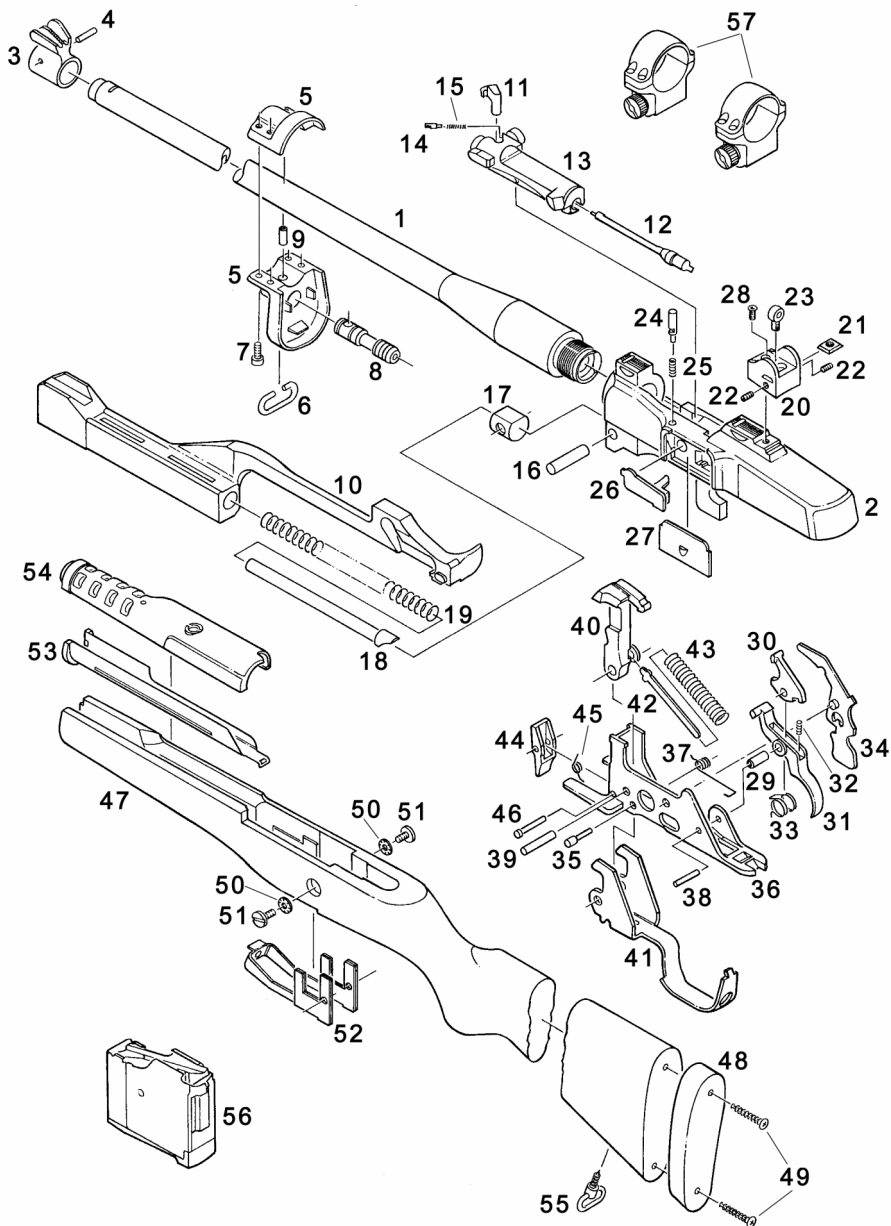
COMPONENT PARTS LIST & EXPLODED VIEW

Key No.	Part Name
1	Flash Suppressor
2	Flash Suppressor Washer
3	Front Sight
* 4	Barrel

* PARTS SO MARKED MUST BE FACTORY FIT



RUGER® MINI THIRTY® RIFLE EXPLODED VIEW



RUGER® TARGET MODEL MINI-14® RANCH RIFLE PARTS LIST

Design, prices and specifications subject to change without notice.

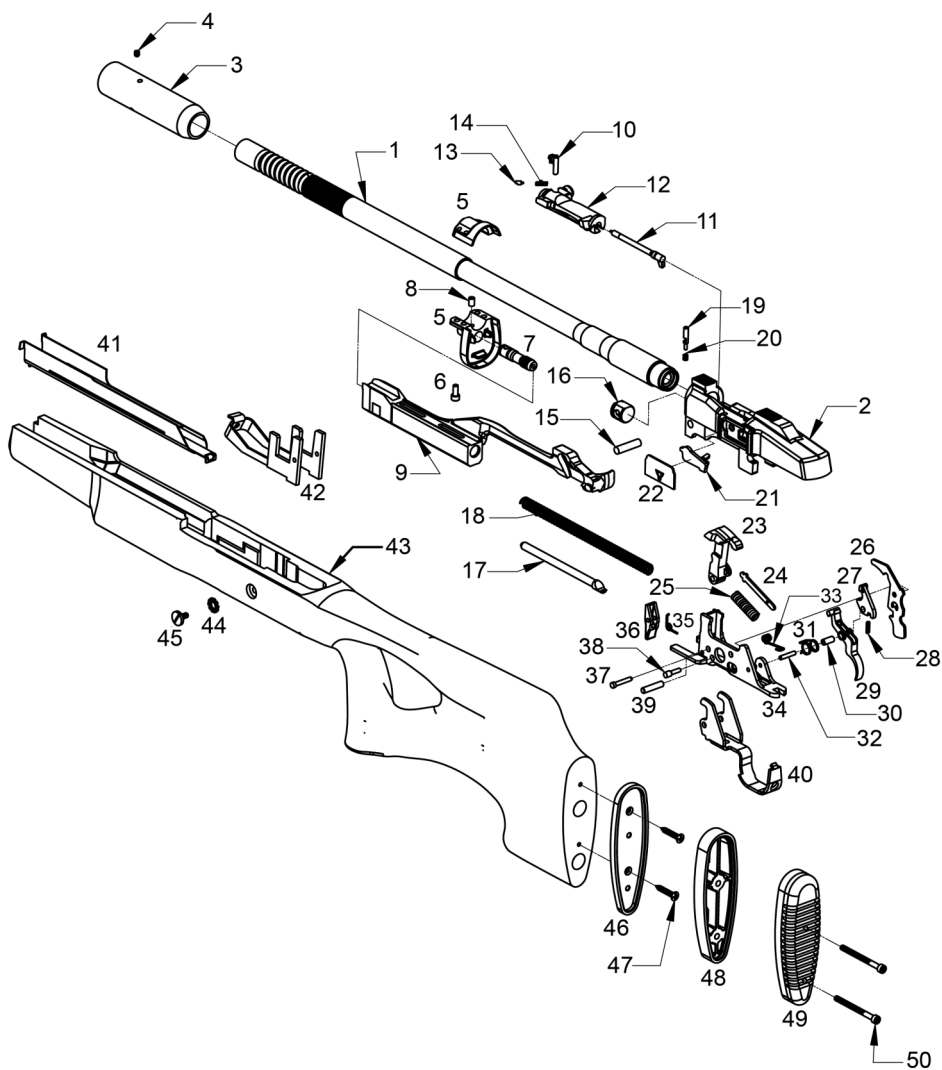
SPECIFY MODEL, CALIBER AND SERIAL NO. WHEN ORDERING
(See Exploded View on Page 53.)

Key No.	Part Name	Key No.	Part Name
* 1	Barrel	27	Secondary Sear
† 2	Receiver	28	Secondary Sear Spring
3	Muzzle Weight	29	Trigger
4	Muzzle Weight Screw, 4 Req'd	30	Trigger Bushing
* 5	Gas Block, Top & Bottom, 2 pieces	31	Trigger Spring
6	Gas Block Screw, 4 Req'd	32	Trigger Pivot Pin
7	Gas Pipe	33	Safety Detent Spring
8	Gas Port Bushing	34	Trigger Housing
9	Slide	35	Magazine Latch Spring
10	Extractor	36	Rear Magazine Latch
* 11	Firing Pin	37	Magazine Latch Pivot Pin
* 12	Bolt	38	Safety Spring Retainer Pin
13	Extractor Plunger	39	Hammer Pivot Pin
14	Extractor Plunger Spring	40	Trigger Guard
15	Buffer Cross Pin	41	Stock Liner
16	Buffer Bushing	42	Stock Reinforcement
17	Buffer Guide Rod	43	Stock
18	Slide Spring	44	Stock Reinforcement
19	Bolt Lock Plunger		Lock Washer, 2 Req'd
20	Bolt Lock Plunger Spring	45	Stock Reinforcement Screws, 2 Req'd
21	Ejector Bolt Lock	46	Butt Pad Holder
22	Cover Plate	47	Butt Pad Holder Screws, 2 Req'd
23	Hammer	48	Spacer Butt Pad
24	Hammer Strut	49	Recoil Pad
25	Hammer Spring	50	Recoil Pad Screws, 2 Req'd
26	Safety Assembly		

* PARTS SO MARKED MUST BE FACTORY FIT

† The receiver is a serial numbered component and is not sold as a separate component.

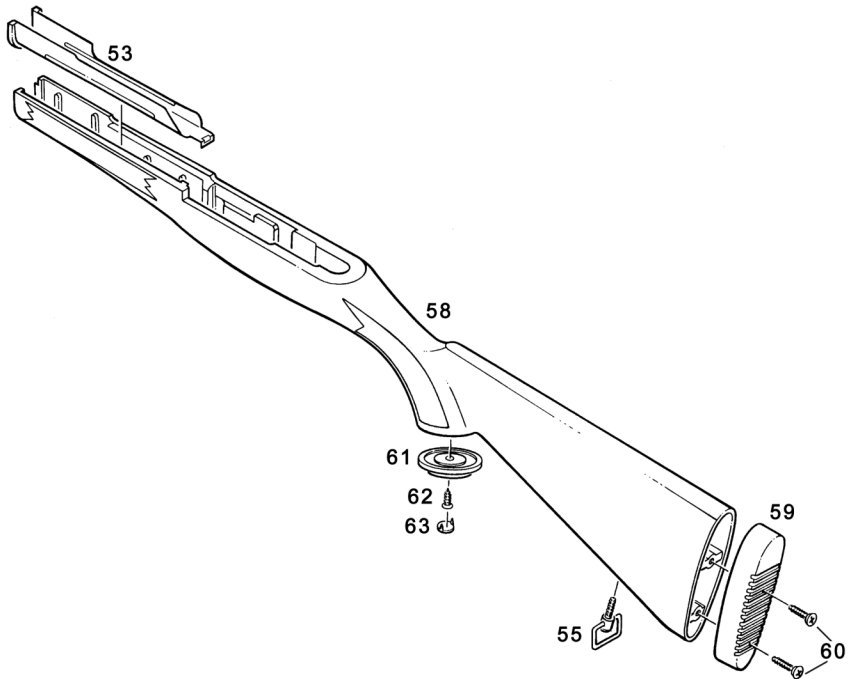
RUGER® TARGET MODEL MINI-14® RANCH RIFLE EXPLODED VIEW



RUGER® MINI-14® RANCH & MINI THIRTY® RIFLES

SYNTHETIC STOCK COMPONENT PARTS LIST & EXPLODED VIEW

Key No.	Part Name
53	Forearm Liner & Stock Cap Assembly
58	Stock Assembly
59	Butt Pad
60	Butt Pad Screws, 2 Req'd
61	Pistol Grip Cap
62	Pistol Grip Cap Screw
63	Pistol Grip Cap Medallion



THE BASIC RULES OF SAFE FIREARMS HANDLING

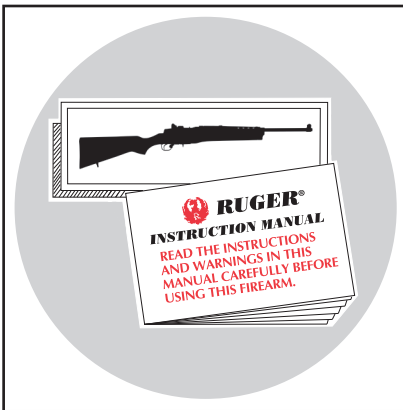
We believe that Americans have a right to purchase and use firearms for lawful purposes. The private ownership of firearms in America is traditional, but that ownership imposes the responsibility on the gun owner to use his firearms in a way which will ensure his own safety and that of others. When firearms are used in a safe and responsible manner, they are a great source of pleasure and satisfaction, and represent a fundamental part of our personal liberty.

Firearms do not cause accidents! Firearms accidents are almost always found to have been the result of carelessness or ignorance on the part of the shooter of the basic rules of safe gun handling.

The following rules must be observed by gun users at all times. Safe gun handling is not just desirable, it is absolutely essential to your safety, the safety of others, and the continuation of gun ownership and sport shooting as we know it today.

1. LEARN THE MECHANICAL AND HANDLING CHARACTERISTICS OF THE FIREARM YOU ARE USING.

Not all firearms are the same. The method of carrying and handling firearms



varies in accordance with the mechanical provisions for avoiding accidental discharge and the various proper procedures for loading and unloading. No person should handle any firearm without first having thoroughly familiarized himself with the particular type of firearm he is using, and with safe gun handling in general.

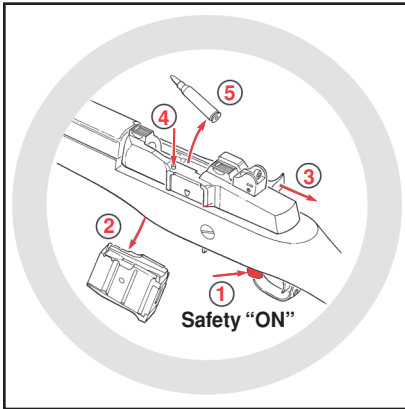
2. ALWAYS KEEP THE MUZZLE POINTED IN A SAFE DIRECTION.



Be sure of the bullet stop behind your target, even when dry-firing. Never let the muzzle of a firearm point at any part of your body or at another person. This is particularly important when loading or unloading a firearm. In the event of an accidental discharge, no injury can occur as long as the muzzle is pointing in a safe direction. A safe direction means a direction that will not permit a discharged bullet to strike a person, or to strike an object from which the bullet may ricochet.

A safe direction must take into account the fact that a bullet may penetrate a wall, ceiling, floor, window, etc., and strike a person or damage property. Make it a habit to know exactly where the muzzle of your gun is pointing whenever you handle it, and be sure that you are always in control of the direction in which the muzzle is pointing, even if you fall or stumble. Keep your finger off the trigger until you are ready to shoot.

3. FIREARMS SHOULD BE UNLOADED WHEN NOT IN USE.



Firearms should be loaded only when you are in the field or on the target range or shooting area, ready to shoot. Firearms and ammunition should be securely locked in safes, racks or cabinets, or by using the locking device supplied with the firearm when not in use. Ammunition should safely be stored separate from firearms. Store your firearms out of sight of visitors and children. It is the gun owner's responsibility to be certain that children and persons unfamiliar with firearms

cannot gain access to firearms, ammunition, or components.

4. BE SURE THE BARREL IS CLEAR OF OBSTRUCTIONS BEFORE SHOOTING.

Even a bit of mud, snow or excess lubricating oil or grease in the bore may cause the barrel to bulge, or even burst on firing, and can cause serious injury to the shooter and bystanders. Be sure that you are using ammunition of the proper caliber and loading for the gun you are using. If the report or recoil on firing seems weak, or doesn't seem quite right, **CEASE FIRING IMMEDIATELY**, unload your firearm, and check to be sure that no obstruction has become lodged in the barrel. Never try to shoot out an obstruction!





5. BE SURE OF YOUR TARGET BEFORE YOU SHOOT.

Don't shoot unless you know exactly where your bullet is going to strike. Be sure of the bullet stop behind your target, even when dry-firing with an unloaded gun. If you are in the field hunting, do not fire at a movement or noise. Take the time to be absolutely certain of your target before you pull the trigger.

6. WEAR SHOOTING GLASSES AND HEARING PROTECTION WHEN YOU SHOOT.

All shooters should wear protective shooting glasses and adequate hearing protection when shooting. Exposure to shooting noise can damage hearing, and wearing adequate eye protection when shooting is essential.



7. NEVER CLIMB A TREE OR FENCE WITH A LOADED FIREARM.

Put the firearm down carefully before climbing a fence, and unload it before climbing or descending a tree or jumping over a ditch or other obstruction. Never pull or push a loaded firearm toward yourself or another person. When in doubt, or whenever you are about to do anything awkward, unload your gun!

8. DON'T SHOOT AT A HARD SURFACE OR AT WATER.

Bullets can glance off many surfaces like rocks or the surface of water and travel in unpredictable directions with considerable velocity.



9. NEVER TRANSPORT A LOADED FIREARM.

Firearms should always be unloaded before being placed in a vehicle. A suitable carrying case or scabbard should be used to carry an unloaded firearm to and from the shooting area.

10. AVOID ALCOHOLIC BEVERAGES WHEN SHOOTING.

Don't drink until the day's shooting is over. Handling firearms while under the influence of alcohol in any form, or medications that could affect your judgment or coordination, constitutes a criminal disregard for the safety of others.



A BRIEF ACCOUNT OF AN EXTRAORDINARY ACHIEVEMENT: RUGER® FIREARMS

Sturm, Ruger & Company, Inc., had its beginning in a small machine shop occupying a rented frame building in Southport, Connecticut. In January, 1949, with an initial investment of only \$50,000 and an idea, William B. Ruger and Alexander M. Sturm started production of a .22 caliber autoloading pistol—a design which was so successful that it became the cornerstone upon which one of the most comprehensive lines of sporting firearms ever made in America was established. After Alex Sturm's death in 1951, William B. Ruger continued to direct the Company until his death in 2002. William B. Ruger, Jr. continued to provide guidance, which helped make this Company a sound and successful enterprise, until his retirement in 2006. The Company has continued to prosper, under new management and guidance from our Board, with new products and fresh perspectives.

Ruger, in this relatively short time, has established itself as a leading small arms design organization, developing a unique and broad line of fine quality sporting, military and police firearms to become one of the world's most famous producers of revolvers, pistols, rifles and shotguns. Since 1949, Ruger craftsmen have built many millions of firearms.

During its five decades of growth and progress under the leadership of William B. Ruger, the Company developed a business philosophy and implemented policies which represent a constructive influence in the life of modern America. From the beginning, Ruger played a positive role in conservation efforts and has supported the interests of shooters through such groups as the National Rifle Association, National Shooting Sports Foundation, and many regional sportsmen's organizations.

The Company has always endeavored to market its firearms for constructive and recreational purposes, to emphasize the traditional and responsible aspects of shooting, to render meaningful public services, and to encourage shooters in constructive, responsible, and safe participation in the shooting sports. Its motto, "Arms Makers For Responsible Citizens®," exemplifies this Company philosophy.

Today, Ruger® is particularly mindful of those elements which have contributed to the creation of its success, and extends heartfelt thanks to its many loyal employees and customers.

Instruction manuals for all Ruger® firearms,
can be downloaded from our website at:

Ruger.com

WHY NO WARRANTY CARD HAS BEEN PACKED WITH THIS NEW RUGER® FIREARM

The Magnuson-Moss Act (Public Law 93-637) does not require any seller or manufacturer of a consumer product to give a written warranty. It does provide that if a written warranty is given, it must be designated as "limited" or as "full" and sets minimum standards for a "full" warranty. Sturm, Ruger & Company, Inc. has elected not to provide any written warranty, either "limited" or "full", rather than to attempt to comply with the provisions of the Magnuson-Moss Act and the regulations issued thereunder. There are certain implied warranties under state law with respect to sales of consumer goods. As the extent and interpretation of these implied warranties varies from state to state, you should refer to your state statutes. Sturm, Ruger & Company wishes to assure its customers of its continued interest in providing service to owners of Ruger® firearms.



STURM, RUGER & COMPANY, INC.
411 SUNAPEE STREET
NEWPORT, NEW HAMPSHIRE 03773 U.S.A.
RUGER.COM

ARMS MAKERS FOR RESPONSIBLE CITIZENS®

**A COPY OF THE INSTRUCTION MANUAL FOR ANY RUGER®
FIREARM IS AVAILABLE FROM THE FACTORY FREE ON REQUEST, OR IT MAY BE
DOWNLOADED FROM OUR WEBSITE AT RUGER.COM.
THESE INSTRUCTION MANUALS CONTAIN IMPORTANT
WARNINGS WHICH MUST BE UNDERSTOOD
BEFORE USING THESE FIREARMS.**

The Following are Sturm, Ruger & Co., Inc. Trademarks: "All-Weather," "Bisley," "Gold Label," "I'm a Ruger American," "LC6," "LCR-357," "LC380CA," "Mark II," "Mark III," "Mark IV," "MAX-9," "Model 96," "P345," "P345D," "P345PR," "P85," "P89," "P90," "P91," "P93," "P94," "P95," "P97," "PC Carbine," "R.I.O.S.," "Ruger-5.7," "Ruger Marksman Adjustable," "Ruger 77/50," "Ruger 10/17," "Security-Six," "Service-Six," "77/357," "Single-Seven," "Speed-Six," "SR45," "SR-556C," "SR-556VT," "Super Bearcat," "Target Grey," "10/22-FS," "This is Ruger. This is America.," "Tri-Flex," "22 Charger," "22/45," "22/45 RP," and "Your Next Handgun."

The Following are Registered U.S. Trademarks Belonging to Sturm, Ruger & Co., Inc.: "AC-556," "AR-556," "Arms Makers For Responsible Citizens," "Bearcat," "Blackhawk," "BX-15," "BX-25," "BX-Trigger," "Eagle - solid logo design, Eagle Hard 'R' logo holding gun, Eagle 'R' - soft 'R' & hard 'R' logo design, Eagle w/'SR', Eagle w/soft 'R' linear logo design, Eagle w/hard 'R' linear logo design, Eagle w/soft 'R' stacked logo design, Eagle w/hard 'R' stacked logo design, Eagle w/soft 'R' linear logo design & "Rugged, Reliable Firearms" below logo, Eagle w/hard 'R' linear logo design & "Rugged, Reliable Firearms" below logo, "EC9s," "Elite 452," "GP100," "Hawkeye," "It's Mine and It's American," "It's Mine. And It's American," "LC380," "LC9," "LC9s," "LC9s Pro," "LCP," "LCR," "LCRx," "M77," "Match Champion," "Mini-14," "Mini Thirty," "9E," "Old Army," "Power Bedding," "Redhawk," "RUGER," "Ruger American," "Ruger American Pistol," "Ruger American Pistol" flag design, "Ruger American Rifle," "Ruger American Rimfire," "Ruger Custom Shop," "Ruger Hunting" - phrase & logo design, "Ruger Precision," "Ruger Precision Rifle" - phrase & logo design, "Ruger 77/17," "Ruger 77/22," "Ruger 77/44," "Ruger SP101," "Ruger 10/22 Takedown" phrase & logo design, "Ruger Titanium," "Ruger 22/45 Lite," "Ruger Vaquero," "Rugged, Reliable Firearms," "Security-9," "Silent-SR," "Single-Nine," "Single-Six," "Single-Ten," the "SR" Design, "SR9," "SR9c," "SR40," "SR40c," "SR-22," "SR22," "SR-556," "SR-556 Takedown," "SR-762," "SR1911," "Super Redhawk Alaskan," "10/22," & "Wrangler."