

USP SERIES

OPERATOR'S MANUAL



HK[®]
HECKLER & KOCH

Covering USP, USP Compact, and
USP Specialized Models

SAFETY PRECAUTIONS

CAUTION: Read these safety rules before handling the pistol!

Read this operators manual before handling your firearm. The following safety rules are placed in this manual by HK as an important reminder that firearms safety is your responsibility. If handled improperly firearms can be dangerous and can potentially cause damage to property, serious injury, or death.

1. Never point a firearm at anyone, or in any direction other than a SAFE direction, i.e. downrange.
2. Treat all firearms as if they are always loaded.
3. Keep your finger off the trigger and outside of the trigger guard until your sights are aligned on the target.
4. Keep your finger off the trigger and outside of the trigger guard while loading or unloading the firearm.
5. Keep your finger off the trigger and outside of the trigger guard while pulling the firearm out of the holster or while returning it to the holster.
6. Be sure of your target and the back stop beyond.
7. Never give a firearm to or take a firearm from anyone unless the action is open and the magazine and/or chamber are free of any ammunition or brass.
8. Be sure that the ammunition you are using is factory loaded, is of the correct caliber for the firearm in which it is to be used, and that it is not damaged in any way.
9. Before firing, remove the magazine from the firearm, lock the slide open, make sure the chamber is clear of any ammunition or brass, and check the barrel of the unloaded firearm for any possible obstructions.
10. Before firing any firearm that is unfamiliar to you, make sure that you understand exactly how it functions. A lack of familiarity with the firearm can result in serious accidents. Attend a certified training course on any firearm which you intend to use or with which you are not sufficiently familiar.
11. Always wear hearing and eye protection when using your firearm.
12. Keep all body parts, particularly the hands and fingers, away from the muzzle to avoid injury or burns.
13. Be sure that parts of the hand do not touch or interfere with the slide. The slide moves backwards by recoil force during firing and may cause serious injury.
14. Firearms should be stored separately from ammunition and beyond the reach of children, and/or any untrained individuals.
15. Avoid the use of any alcoholic beverages or drugs before and during the use of any firearm.
16. Discharging firearms in poorly ventilated areas, cleaning firearms, or handling ammunition may result in exposure to lead, a substance known to be associated with birth defects, reproductive harm, and other serious injury. Have adequate ventilation at all times. Wash hands thoroughly after exposure.
17. To make the pistol safe, one must insure the chambered round is removed during the clearing procedure. Removal of the pistol's magazine does not remove the chambered round. This can only be done with the rearward movement of the slide after the magazine is removed.

STOP! KNOW HOW TO CLEAR THIS PISTOL BEFORE ATTEMPTING TO OPERATE.

CLEARING THE PISTOL

The pistol is not considered "clear" or safe unless:

1. The control lever (if applicable) is on "safe" and;
2. The magazine is removed from the pistol and;
3. The slide is locked to the rear and;
4. The chamber is free of brass or ammunition

To Clear the pistol:

1. Make sure fingers are outside of the trigger guard and the pistol is pointed in a safe direction at all times!
2. Engage control lever (if applicable) - press the control lever upwards until the "S" (safe) aligns with the reference line located on the frame.
3. Remove magazine - depress the magazine release lever and remove the magazine from the pistol.
4. Open and lock slide - while keeping the pistol pointed in a safe direction, lock the slide open by pulling the slide rearward as you press the slide release upward. Watch for a cartridge or empty case to be ejected from the pistol.
5. Inspect chamber - inspect chamber for the presence of a cartridge or empty case by:
 - Visually viewing chamber through the open ejection port and;
 - Physically inserting a finger into the chamber through the ejection port to check for the presence of a cartridge or empty case.
- Remove any cartridges or empty cases from the chamber or from within the pistol.

The Pistol is now considered "Clear."

USP SERIES

OPERATOR'S MANUAL



Covering USP, USP Compact, and USP Specialized models

WARNING: A firearm has the capability of taking your life or the life of someone else! Be extremely careful with your firearm. An accident can occur at anytime and is almost always the result of not following basic safety rules.



© Heckler & Koch, 11/99, 1/07, 6/09, 8/10, revised May 2013

All rights reserved
Heckler & Koch

5675 Transport Boulevard
Columbus, Georgia 31907

Tel: (706) 568-1906 • Fax: (706) 568-9151

Global Website: www.heckler-koch.com • American Website: www.hk-usa.com
Specifications and models subject to change without notice.

TABLE OF CONTENTS

	Safety Precautions & Clearing	Inside Cover
Section 1	Introduction	6
Section 2	Nomenclature	8
Section 3	Function and Operation	9
	Clearing the Pistol	9
	Operating Controls and Components	10
	Sights and Sight Adjustment	12
Section 4	Ammunition	13
Section 5	Instructions for Use	15
	Filling and Emptying the Magazine	15
	Loading the Pistol.....	15
	Firing the Pistol	16
	Unloading the Pistol	18
	Selection and Use of a Holster	19
	Storage and Transport	19
Section 6	Disassembly and Assembly	20
	Disassembling (Fieldstripping) the Pistol.....	20
	Pistol Assembly	21
	Magazine Disassembly	23
	Magazine Assembly.....	25
	Clearing the Pistol	26
	Function Check (Variant 1 & 2)	26
	Function Check (Variant 3 & 4)	27
	Function Check (Variant 5 & 6)	27
	Function Check (Variant 7)	28
	Function Check (LEM)	28
Section 7	Cleaning and Maintenance	29
	Inspection	30
	Lubrication	30
	Troubleshooting Problems and Repair	31
	Hammer and Catch Notification	32
Section 8	HK Lock-Out Device	32
Section 9	Exploded Views and Parts Lists	33
	USP (.40 S&W and 9 mm) Exploded View	34
	USP (.40 S&W and 9 mm) Parts List.....	35
	USP (.45 ACP) Exploded View	36
	USP (.45 ACP) Parts List.....	37

	USP Compact (.40 S&W and 9 mm) Exploded View	38
	USP Compact (.40 S&W and 9 mm) Parts List.....	39
	USP Compact (.45 ACP) Exploded View	40
	USP Compact (.45 ACP) Parts List	41
	USP Compact (LEM) Exploded View	42
	USP Compact (LEM) Parts List	43
Section 10	USP Specialized Pistols.....	44
Section 11	Specifications.....	48
	Firearms Service Record.....	50

SECTION 1 INTRODUCTION

The HK USP (Universal Self-loading Pistol) is the first HK pistol designed especially for American shooters. Features favored by the U.S. military, law enforcement agencies, and civilian users provided the design criteria for the USP. Its controls are uniquely American, influenced by such famous designs as the Government Model 1911 pistol.

The USP control lever, featured on many variants of the USP, USP Compact, and USP Specialized models, is a combination safety and/or decocking lever. The control lever is frame mounted and quickly accessible, unlike the slide mounted safeties common on many semi-automatic pistols. The USP control lever has a positive stop and returns to the "fire" position after decocking. A key advantage of the USP control lever is that it allows many USP models to be safely carried "cocked and locked".

Using a modified Browning-type action, both full-size and compact models of the USP use patented recoil reduction systems, enabling all USP series pistols to take the punishment of powerful +P and +P+ loads. The USP and USP Compact recoil reduction systems lessen recoil effects on pistol components and also lower the recoil forces felt by the shooter. These recoil reduction systems are insensitive to ammunition types and require no special adjustment or maintenance. It functions effectively in all USP models.

By using a modular approach to the internal components, the control lever function of the USP Series pistols can be switched from the left to the right side of the pistol for left-handed shooters. The USP and USP Compact can also be converted from one type of trigger firing mode to another. This includes combination double-action and single-action (DA/SA) modes, single-action only (SA-Only), and double action only (DA-Only) modes, including the HK proprietary LEM (Law Enforcement Modification) enhanced trigger system. Optional "dual" ambidextrous control levers are also available and are standard on some USP specialized models.

The USP is available in both full-size frame and compact models, as well as specialized models, with ten trigger/firing mode configurations and four calibers—.45 ACP, .40 S&W, 9 mm, and .357 SIG (special order on some models).

NOTE: Trigger/firing mode conversion can only be made by an HK certified armorer.

Due to the USP's innovative design approach, it is possible to convert a USP Series Pistol into one of many variants. Changing the trigger/firing mode of the pistol is accomplished by installing a different set of components.

USP and USP Compact	Bobbed Hammer*	Double Action & Single Action	Double Action Only	Control Lever (Left Side)	Control Lever (Right Side)	Control Lever (Manual Safety)	Control Lever (No Decocking)	Caliber Availability
Variant 1	●	●	●	●	●	●	●	.45, .40, 9mm, 357 SIG
Variant 2	●	●	●	●	●	●	●	.45, .40, 9mm, 357 SIG
Variant 3	●	●	●	●	●	●	●	.45, .40, 9mm, 357 SIG
Variant 4	●	●	●	●	●	●	●	.45, .40, 9mm, 357 SIG
Variant 5	●	●	●	●	●	●	●	.45, .40, 9mm, 357 SIG
Variant 6	●	●	●	●	●	●	●	.45, .40, 9mm, 357 SIG
Variant 7	●	●	●	●	●	●	●	.45, .40, 9mm, 357 SIG
LEM*	●	●	●	●	●	●	●	.45, .40, 9mm, 357 SIG
Variant 9	●	●	●	●	●	●	●	.45, .40, 9mm, 357 SIG
Variant 10	●	●	●	●	●	●	●	.45, .40, 9mm, 357 SIG

*Bobbed hammer on USP Compacts and DAO models and LEM Law Enforcement Modification of all USP models.

This unique design allows the USP Series Pistol to be configured for a variety of purposes depending on the requirements of the user, without having to purchase a new pistol. Please contact HK for more information on variant changes.

In addition to a wide selection of trigger/firing modes, all USP Pistols have an ambidextrous magazine release lever which is shielded from inadvertent actuation by the flared trigger guard. The magazine release lever can be pressed with the thumb or index finger of the firing hand, in most cases without adjusting the firing grip.

Low profile 3-dot sights, adjustable for windage and elevation, are standard on USP Series Pistols. Optional tritium sights are also available.

The polymer frame of the USP Series was designed using technical experience gained by HK engineers in the development of the world's first composite material pistols, the HK VP70Z and P9S. These same high-strength/corrosion free materials are used in the MK 23 handgun made by HK for the U.S. Special Operations Command.

Major metal components like the one-piece, machined steel slide are also corrosion resistant, treated with a special "HE" (Hostile Environment) protective finish. The HE finish is an extremely hard, nitro-gas carburized black oxide coating, and resists even the worst types of corrosion and wear, including exposure to salt water.

The full size USP 9 mm and USP .40 S&W models utilize high-strength, light-weight, polymer magazines while the USP Compact (all calibers) as well as the full-size USP .45 use metal magazines that allow increased ammunition capacity without having to increase the dimensions of the grip. All HK magazines have a series of viewing holes on the back side for counting the cartridges remaining inside. Interchangeable floorplates are available for the magazines of the many USP Series Pistols. A standard flat floorplate and an extended magazine floorplate with a finger extension provide a choice of grip options with each pistol. Magazine floorplates can be easily removed and changed without tools during disassembly.

The extended slide release is positioned to allow easy actuation without adjustment of the grip of the shooting hand. Another useful feature is the absence of a magazine lock-out device.

CAUTION: USP models, except special models with a magazine disconnect feature installed, will fire if the magazine is removed, a cartridge is in the chamber, and the trigger is pressed (with the control lever in the FIRE position if applicable).

To reduce barrel wear, most USP Pistols have polygonal cold hammer-forged barrels. This feature not only ensures longer barrel life and easier bore cleaning, but produces a better gas seal behind the bullet for increased muzzle velocity.

NOTE: Beginning in 1999, all USP pistols, with the exception of some special order production runs are fitted with HK's patented internal Lock-Out Device. The use of this internal safety lock is described in Section 8 of this manual.

A set of mounting grooves for installing accessories is molded in the polymer frame of all USP models. These grooves allow a variety of accessories and targeting devices to be mounted on the USP Pistols without modification to the pistol.

NOTE: Improperly designed or installed accessories may result in damage to the mounting grooves and/or the pistol. Such damage is not covered under the limited lifetime warranty. Be certain to use only HK Authorized Accessories and follow installation and precautions carefully.

USP Series Pistols are extremely safe firearms, with no less than four safety features, some passive and some active in nature. Simple to field strip and maintain, a USP series pistol is a reliable and trouble-free handgun, providing a wide range of flexibility for all users.

SECTION 2 NOMENCLATURE



Fig. 1
USP right side view



Fig. 2
USP Compact
left side view

SECTION 3 FUNCTION AND OPERATION

WARNING: Always clear the pistol before handling it.

CLEARING THE PISTOL

The pistol is not considered “clear” or safe unless:

1. The control lever (if applicable) is on “safe” and;
2. The magazine is removed from the pistol and;
3. The slide is locked to the rear and;
4. The chamber is free of brass or ammunition

To Clear the pistol:

1. Make sure fingers are outside of the trigger guard and the pistol is pointed in a safe direction at all times!
2. Engage control lever (if applicable) - press the control lever upwards until the “S” (safe) aligns with the reference line located on the frame.
3. Remove magazine - depress the magazine release lever and remove the magazine from the pistol.
4. Open and lock slide - while keeping the pistol pointed in a safe direction, lock the slide open by pulling the slide rearward as you press the slide release upward. Watch for a cartridge or empty case to be ejected from the pistol.
5. Inspect chamber - inspect chamber for the presence of a cartridge or empty case by:
 - Visually viewing chamber through the open ejection port and;
 - Physically inserting a finger into the chamber through the ejection port to check for the presence of a cartridge or empty case.
 - Remove any cartridges or empty cases from the chamber or from within the pistol.

The Pistol is now considered “Clear.”

General

The USP Series Pistols are short recoil operated. They use a modified Browning style system, without a link, to lock and unlock the barrel.

Upon firing, the pressure developed by the propellant gases forces the slide and barrel assembly to the rear. After moving approximately 3 mm, the locking block will stop the rearward movement of the barrel. The barrel is pulled downward due to the engagement of the angled locking surfaces of the locking block with those located on the end of the recoil spring guide rod. The locking block disengages from the slide and the slide continues rearward independently from the barrel. The extractor, located on the right side of the slide extracts the spent case. The ejector, positioned in the left side of the frame, rearward of the magazine well then ejects the fired cartridge case. The rearward moving slide then cocks the hammer, and compresses the recoil spring.

Once fully to the rear, the compressed recoil spring pushes the slide forward, stripping the next cartridge from the magazine into the chamber. If the magazine is empty, the magazine follower lifts the slide release into position where it can stop the forward progress of the slide and holds the slide open.

WARNING: Do not rely on the slide position to determine if the magazine is empty. Always check visually and physically ensure the pistol is not loaded.

During the last few millimeter of forward movement, the slide forces the angled surfaces of the barrel locking block against opposing angled surfaces on the recoil spring guide rod. This action pivots the locking block on the barrel up into engagement with the ejection port on the slide. The breech is now locked closed and the next shot can be fired.

CAUTION: A pair of Universal Mounting Grooves located on the front of the USP's frame allows for a variety of accessories to be used with the pistol. Improperly designed or installed accessories may result in damage to the mounting grooves and/or the pistol. Such damage is not covered under warranty. Be certain to use only HK authorized accessories and follow installation and precautions carefully.

OPERATING CONTROLS & COMPONENTS

WARNING: USP series pistols incorporates single-action and/or double-action modes of operation. Anytime the trigger is pulled with the control lever in the fire (horizontal) position and a cartridge in the chamber, the pistol will fire from either the hammer down or cocked positions.

Trigger (in Double/Single-Action modes)

In the double-action mode, pulling the trigger will cock the hammer and immediately release it firing the first chambered cartridge. All subsequent cartridges will be fired in the single-action mode because the slide automatically recocks the hammer after each shot is fired. To fire the first chambered cartridge in the single-action mode, the hammer must be manually cocked before pulling the trigger. All shots after the first shot will be fired single-action because the slide automatically recocks the hammer after each shot is fired.

In the double-action only mode, the hammer always returns to the uncocked (forward) position after each shot. All shots are fired in the double-action mode. The HK LEM (Law Enforcement Modification) mode functions similar to double-action only mode.

	USP	USP Compact	USP LEM	USP Tactical	USP Expert	MARK 23	P2000 P2000SK DA/SA	P2000 P2000SK LEM
Single Action Trigger Pull (pounds)	4.5	4.5	N/A	4.5	3.8	5.2	4.04	N/A
Double Action Trigger Pull (pounds)	11.5	11.5	7.42 optional 5.5	11.5	11.5	11.5	10.34	7.42 optional 5.5

Control Lever

This manually operated lever is located on the side of the frame below the rear sight. This lever is operated with the firing thumb and can perform both functions of a safety lever and a decocking lever, depending on the parts installed.

NOTE: Some variants do not have a control lever. On some USPs, including some of the specialized USP models (USP Elite USP Expert), a control lever is present on both sides of the frame.

Control lever as a safety lever

On HK USPs with the "SAFE" position (Variants 1, 2, 5, 6, 9, & 10), the front of this lever is fully raised above horizontal so that the "S" on the lever itself aligns with the reference line on the frame (see Figure 3). With this control lever engaged, the release of the hammer is blocked in the single-action mode of fire. In the double-action mode, the hammer will partially cock but will not release to fire the pistol.

WARNING: The USP Series Pistol fitted with LEM parts incorporates double-action only mode of operation. Anytime the trigger is pulled with a cartridge in the chamber, the pistol will fire from the hammer down position.

In the double-action only mode, the hammer always returns to the uncocked (forward) position after each shot. All shots are fired in the double-action mode.

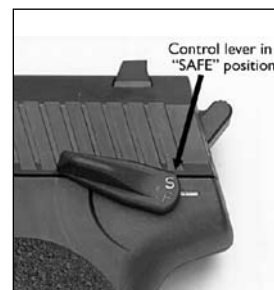


Fig. 3 Control Lever "SAFE"



Fig. 4 Control Lever "FIRE"

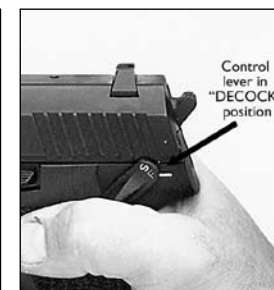


Fig. 5 Control Lever "DECOCK"

Magazine

Depending on the model, USP series magazines are constructed of high-strength, light-weight polymer or metal. Polymer magazines have a metal insert located in the upper third of the housing for increased strength and durability. Cartridges are positioned within the magazine in a staggered arrangement but are fed into the pistol from a single row under the feed lips. The cartridges are visible through the numbered viewing holes located in the back of the magazine. For maintenance and cleaning, USP Series magazines can be easily disassembled. Interchangeable floorplates are available for the magazines of the many USP Series Pistols. A standard flat floorplate and an extended magazine floorplate with a finger extension provide a choice of grip options with each pistol. Magazine floorplates can be easily removed and changed without tools during disassembly.

Extractor

The extractor on the some USP models acts as a loaded chamber indicator. When a cartridge is in the chamber, the red colored forward edge of the extractor protrudes approximately 1 mm from the slide and is visible to the operator.

CAUTION: Do not depend on the presence of a loaded chamber indicator to determine if a pistol is loaded. Treat all weapons as if they are always loaded!

Slide Release

This lever is located on the left side of the frame directly above the trigger. This lever is used to lock the slide open, to release the slide, and to disassemble the pistol.

As a slide stop, it is lifted upward by the magazine follower or the operators finger as the slide travels rearward during recoil or manual manipulation. The slide release engages in the recess located on the left side of the slide at its midpoint. The slide release is spring actuated and is held down out of engagement with the slide until required. The slide release will automatically hold the slide open when the last shot is fired. As a disassembly lever, the slide release is removed from the left side of the frame when the slide is held partially rearward.

Magazine Release Lever

This ambidextrous, spring actuated lever holds the magazine in place within the grip by engaging in the notch found on the front of the magazine housing. Depressing this lever downward with the firing index finger or thumb will allow the magazine, regardless of the number of cartridges inside, to drop free of the frame. The magazine release lever is shielded from accidental actuation by the design of the polymer frame and flared trigger guard surrounding it.

Frame

All sides of the polymer frame are textured to ensure a firm grip, even with wet hands or under conditions of rapid fire. The trigger guard is slightly recurved and grooved to provide a firm grip when using two hands or gloves to fire the pistol. The frame is a one-piece molded component with metal inserts (locking insert and guiding part) cast into the frame during production.

The slide rides on these metal inserts during operation. The frame contains mounting grooves for accessory attachment and finger recesses located to the left and right of the magazine well for manual extraction of the magazine, if necessary. The serial number of the pistol is engraved in the metal insert incorporated into the front of the frame in front of the trigger guard, on the left side of the slide, and on the barrel locking block.

SIGHTS AND SIGHT ADJUSTMENT

The USP Series Pistol uses the proven 3-dot sighting arrangement. By aligning all three dots horizontally on the target, with the front sight dot centered between the rear sight dots, the operator can quickly and easily engage the target with a high degree of accuracy. With the optional tritium sights with white outline installed, precise and rapid target engagements are possible under low light conditions as well.

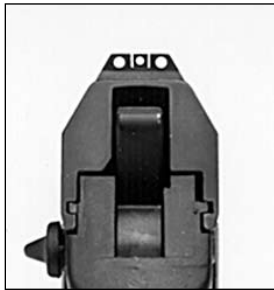


Fig. 6
Sights aligned



Fig. 7
Rear sight adjustment

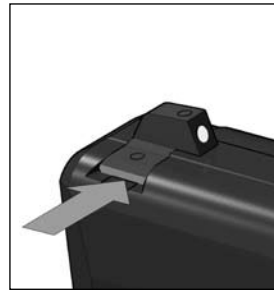


Fig. 8
Front sight installation

Sights are set at the factory and generally do not require adjustment. The rear sight can be adjusted for windage by drifting the sight to the left or right, depending on the desired shot placement. Bullet impact on target will move in the same direction that the rear sight is moved. Be careful not to damage the slide finish when adjusting the sights.

Adjustments for elevation are accomplished by exchanging the front sight with a higher or lower sight. The height of the front sight is indicated on the underside. The front sight must be removed by using a drift punch or a USP sight pusher. The accessory sight pusher can be used to install, remove, and adjust the front and rear sights on all USP Series Pistols.

To raise the bullet impact on target, a shorter front sight is installed. To lower the bullet impact on target, a taller front sight is installed. Installing the next higher or lower front sight will change the point-of-impact 2 inches at 25 meters, depending on the ammunition used. USP Series Pistols are function fired and zeroed at the factory at 25 meters, point-of-aim, point-of-impact. Your actual zero may vary depending on the ammunition used and/or your style of shooting.

SECTION 4 AMMUNITION

WARNING: HK specifically disclaims any responsibilities for any damage or injury that should occur because of, or as a result of, the use of faulty, remanufactured, or reloaded (hand loaded) ammunition, or of cartridges other than those for which the pistol was originally chambered.

The USP Series Pistol is designed to fire quality, factory loaded ammunition loaded to SAAMI specifications for use specifically in handguns. For use with ammunition with hard primers (i.e. some NATO spec. cartridges), a special hammer spring is available.

The following guidelines should be considered when selecting the correct ammunition for your pistol.

1. Be sure the ammunition you have chosen is compatible with your pistol – proper caliber, cartridge, bullet weight, etc. Caliber markings on the USP Pistol appear on the left side of the slide and on the barrel locking block, visible through the ejection port on the right side of the slide.
2. Prior to loading the magazine and chamber, carefully inspect all cartridges for the following abnormalities:
 - Cracked, split, dirty or corroded cases
 - Improperly seated projectiles and/or primers
 - Damaged projectiles
3. Do not attempt to fire a cartridge in which the projectile has been forced back into the case. Upon firing, this condition may result in increased chamber pressure above safe limits.
4. Do not fire ammunition through the pistol that:
 - Is foreign and/or outdated military surplus
 - Is assembled with corrosive primer and/or propellant
 - Is exposed to oil, grease, water, or direct sunlight. Remove contaminants if possible before use and cool down ammunition exposed to direct sunlight or heat. (Exposure to sources of heat could raise the chamber pressure of the cartridge above safe limits.)
 - Is loaded specifically for use in submachine guns.

CAUTION: HK firearms are designed to function with quality manufactured brass cased ammunition. Use of steel or aluminum cased cartridges is not recommended and could adversely affect safe and reliable functioning. For further information on ammunition selection, contact HK Customer Service at 706-568-1906.

NOTE: In compliance with NIJ Standard—0112.00, currently there are no known ammunition types that meet the general guidelines set forth in this section that are not compatible with the USP series pistols. All USPs are approved for use with +P and +P+ ammunition as it applies to the specific caliber. The use of +P and +P+ ammunition accelerates wear and reduces the service life on the component parts of any pistol, including the USP series pistols.

NOTE: There is currently no existing SAAMI specification +P or +P+ ammunition in caliber .40 S&W.

WARNING: The use of incorrect ammunition in the pistol could result in damage to the pistol and/or injury to the operator or bystanders. Be careful not to inadvertently mix 9mm and .40 caliber ammunition. 9mm ammunition will slide past the chamber and into the barrel in a .40 caliber pistol causing a barrel obstruction resulting in damage to the pistol and/or personal injury.

SECTION 5 INSTRUCTIONS FOR USE

FILLING AND EMPTYING THE MAGAZINE

NOTE: Do not attempt to load more than the prescribed number of cartridges into the magazine. Do not alter the shape of the magazine housing, follower, or spring. To do so may cause stoppages or the magazine may not seat properly in the pistol.

Filling the Magazine - (See Figure 9 below)

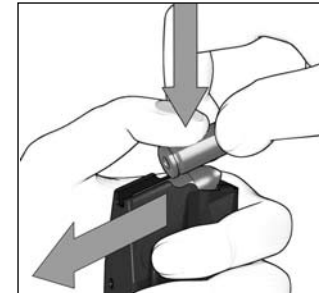


Fig. 9 Loading magazine

1. Hold the magazine in the non-firing hand with the back side of the magazine resting against the palm.
2. Using the firing hand, hold a cartridge between the index finger and thumb with the projectile facing the palm.
3. Press the rim of the cartridge down against the forward edge of the magazine follower or on the top cartridge already in the magazine.
4. Slide the cartridge back into the magazine under the feed lips.
5. Repeat steps 1-4 until the magazine is full. The viewing holes in the back of the magazine allow the operator to confirm the number of cartridges present within the magazine.

NOTE: An optional magazine loading tool is available from HK.

Emptying the Magazine

Exert pressure with a finger on the base of the cartridge and push each cartridge forward out of the magazine one at a time until the magazine is empty.

LOADING THE PISTOL

WARNING: Forcefully inserting a loaded magazine into the USP Pistol may cause the pistols slide to close, chambering a cartridge and making the USP ready to fire. When inserting a magazine, always be certain the control lever (if applicable), is in the "SAFE" position and that the pistol is pointed in a safe direction with your fingers off the trigger and outside the trigger guard. Failure to do so could cause you to unintentionally fire the pistol, resulting in serious injury or death.

Administrative Loading - used to initially load the pistol before it is to be fired.

Slide rearward or forward, chamber empty

1. Make sure fingers are outside of the trigger guard and the pistol is pointed in a safe direction at all times!
2. Insert magazine - insert the magazine firmly into the frame. Tug on the magazine to ensure that it is fully seated and engaged.
3. Chamber a cartridge - chamber a cartridge by depressing the slide release or by pulling the slide fully to the rear and releasing it. Do not ride the slide forward!

WARNING: Any attempt to lower the hammer manually (with a round in the chamber), will allow the hammer to be lowered past the half-cock notch and bypasses the passive safeties which are built into the USP and could result in an accidental discharge and subsequent property damage, injury or loss of life.

On DA/SA models without the decocking function in the control lever, it is unsafe to lower the hammer while there is a round in the chamber.

On Variant 9 and 10 pistols, to lower the hammer on an empty chamber, the following steps must be followed with extreme care. Remember: lowering the hammer manually on the USP pistol requires pulling the trigger. The action of pulling the trigger bypasses the passive safeties which are built into the USP. If there is a round in the chamber when the hammer is being lowered manually, and if the hammer slips, the gun could discharge causing possible subsequent property damage, injury or loss of life.

1. Point the pistol in a safe direction and put the manual safety in the "on" or "safe" position by moving the control lever fully upward.
2. Remove the magazine.
3. While keeping your finger off of the trigger and outside of the trigger guard draw the slide to the rear and push the slide stop up to lock the slide in the open position. Inspect the chamber visually and manually to ensure that there is no round in the chamber.
4. Release the slide by pressing down on the slide stop.
5. Disengage the manual safety by moving the control lever downward to the "fire" position.
6. Hold the pistol firmly in one hand as if you were going to discharge the firearm. Using the thumb of the hand which is not holding the pistol, draw the hammer slightly to the rear. Using the index finger of the hand which is holding the pistol, pull the trigger to the rear.

Lower the hammer SLOWLY, while at the same time releasing the trigger, removing your finger from the trigger and placing it outside of the trigger guard. Continue to lower the hammer SLOWLY until it has come to a complete rest against the back of the slide.

Draw the hammer back slightly until it comes to rest at the half cock notch position.

FIRING THE PISTOL

WARNING

1. Be sure of your target and what's behind it! A bullet from a pistol travels as far as a mile. It can easily penetrate wood or plasterboard walls or even a car door.
2. Be sure that your hands and all parts of your body are kept away from the muzzle of your pistol at all times!
3. Always wear eye and ear protection when firing the pistol.

Double-action only mode - (Hammer uncocked)

1. Aim - aim at the target.
2. Fire - fire the pistol by pressing the trigger straight to the rear with gradually increasing pressure.

NOTE: Variant 7 and LEMs, the double-action only models of the HK USP Series do not have control levers. The hammer of these variants will automatically return to the uncocked position each time the slide returns to its forward position.

The Law Enforcement Modification

The Law Enforcement Modification (LEM) is a series of unique trigger mechanism parts created specifically to improve the quality and reduce the weight of the Double-Action Only trigger pull in the USP Pistol. With these parts installed the USP pistol can be fired like the standard DAO USP pistol where every round is fired by simply pulling the trigger fully rearward with the hammer starting at the forward rest position. There are no external decocking or safety levers present or required.

Due to the design of the proprietary HK LEM system the weight of the DAO trigger pull has been reduced to 7.5-8.5 pounds when new and is easier to use due to the smoothness of the trigger pull.

NOTE: Optional 4.5-5.5 pound LEM trigger pull is also available for the USP series pistol.

Parts Unique to the Law Enforcement Modification

The unique LEM parts of the USP pistol are listed below. Additional information can be found in the exploded diagram and parts list of this manual.

Hammer	Spring, trigger rebound	Sear, complete
Cocking piece	Spring, cocking piece	Spring, hammer

Law Enforcement Modification Operation

USP Pistols fitted with Law Enforcement Modification parts operate like standard variants of the USP Pistol. However, the way in which the hammer is cocked is unique. The hammer in the LEM is a two-piece hammer comprised of a cocking piece (not visible with the pistol assembled) and an external (visible) hammer.

In the LEM system the quality of the trigger pull is improved while at the same time a stronger hammer spring can be employed to improve reliability by increasing the firing pin indent on the primer. The stronger hammer spring also helps to reduce the slide velocity when firing "hot" ammunition. The HK LEM uses the rearward movement of the slide during loading or firing to fully compress the hammer spring.

The cocking piece and hammer are rotated rearward on the hammer axle when the slide moves fully rearward. When fully to the rear the cocking piece is held in the cocked position by the sear and the hammer spring has been fully compressed by the hammer strut. As the slide travels forward the hammer is rotated back to and held in the forward position by the hammer rebound spring.

When the trigger is pulled rearward against the combined force (7.5 – 8.5 pounds) of the trigger, hammer rebound, firing pin block, and sear springs the internal passive safeties are disengaged and the sear releases the cocking piece. The cocking piece is then free to rotate the hammer forward on its axle under pressure of the compressed hammer spring imparted through the hammer strut to strike the firing pin and fire the chambered round. The weight of the trigger pull is adjusted by an armorer replacing or exchanging the firing pin block spring, firing pin spring, and trigger springs.

Special LEM Considerations

HK Lock-Out Device - With the exception of some special order production runs, all new USP Series pistols assembled at the factory after October 1999 are fitted with HK's Lock-Out Device, an internal safety lock located within the lanyard loop insert found in the heel of frame and described in detail in Section 8.

On USP pistols that have LEM parts installed, the HK Lock-Out Device cannot be engaged (locked) if the LEM cocking piece is cocked and the hammer spring is compressed.

To engage the HK Lock-Out Device on pistols fitted with LEM parts the pressure stored in the hammer spring must first be released. You must **CLEAR** the pistol, ensure that it is unloaded and safe and dry fire the pistol once to release the cocking piece and the tension on the hammer spring before you can engage the HK Lock-Out Device.

Long Term Pistol Storage

Anytime the slide is moved fully rearward on the USP Pistol fitted with LEM parts the hammer spring is compressed and held in that position until the cocking piece is released by pulling the trigger on the pistol. Therefore for long-term storage (more than 1 year) it is suggested that the pistol first be **CLEARED** and made safe then pointed in a safe direction and dry fired to release pressure on the hammer spring to maintain its life span.

Firing

When pulling the trigger rearward you will first feel a relatively long length of free travel (slack) and then a second stage of heavier but consistent pull that actually releases the hammer and fires the pistol.

In addition to providing an improved DAO trigger pull, the LEM also provides a very short trigger reset distance to enhance the speed of multiple or follow-up shots.

WARNING: Do not place your finger on the trigger or within the trigger guard until you have made a conscious decision to fire the pistol.

If you need additional information, please contact your customer service representative at Heckler & Koch at (706) 568-1906.

UNLOADING THE PISTOL

To unload the pistol, follow the "Clearing" procedure on page 9.

If the pistol fails to fire, clear and disassemble it and check for:

1. Obstructions in the chamber, bore or frame. Remove obstructions.
2. Bad ammunition. Try new ammunition.
3. Unserviceable magazine. Replace magazine.
4. Fouling or lack of lubrication. Clean and lubricate the pistol in accordance with the instructions contained within this manual.
5. Evidence of severely worn or broken parts. Contact your authorized HK dealer or unit armorer.

If your pistol still fails to operate correctly, contact your unit armorer, authorized HK dealer, or Heckler & Koch's Customer Service Department for guidance.

WARNING: If a cartridge is assembled without powder (a fault of the manufacturing process), the primer alone has enough power to propel the bullet into the bore. A bullet lodged in the bore may cause damage to the barrel and/or pistol if another cartridge is fired and could cause personal injury or even death. This event is commonly called a "squib load" or "pop and no kick" and is characterized by a reduced report and little or no movement of the slide. An alert operator could notice the occurrence of this event in time to avoid firing the next cartridge.

Selection and Use of a Holster

Selection. When selecting a carrying holster for the USP Pistols, it is important to consider the following points:

1. The holster must not make contact with or actuate any of the operating controls. This includes the hammer, slide release, magazine release lever, and most importantly the trigger. The design of the holster must also not actuate these controls when the pistol is carried in, drawn from, or returned to the holster.
2. The holster should not cause the slide to move (unlock) when the pistol is returned to the holster.
3. Accommodations must be provided in the holster for any accessories that might be present on the pistol.
4. Choose a holster designed specifically for the specific USP pistol.

Returning the pistol to the holster. The USP Pistols space must be made "Safe" (or cleared) prior to returning it to the holster. The pistol is considered safe to return it to the holster when:

1. All fingers are off of the trigger and out of the trigger guard and;
2. The pistol is "clear" or;
3. The hammer is in the decocked (down) position. (Different for LEM)

A list of manufacturers that make holsters for USP pistols is available at the HK website or by contacting HK Customer Service.

WARNING: The pistol must never be returned to the holster unless the above procedures have been followed or injury or death could occur.

Storage and Transport

1. Store or transport the pistol and its components clean and lubricated.
2. Store and transport the pistol without cartridges in the chamber, magazine, or in the storage container.
3. Store and transport the pistol with the slide forward and the hammer down (uncocked).
4. Clean and lubricate the pistol and its components at least every twelve (12) months during storage.
5. Store the pistol and its components in a clean, dry, dust-free environment with regulated temperature controls.
6. Store the pistol and ammunition separately under lock and key.

CAUTION: In the USP Pistol fitted with LEM parts, clear the pistol and release pressure on the cocking piece and hammer spring by dry firing the pistol one time. Only then can the HK Lock-Out Device be placed in the locked position on pistols fitted with the Lock-Out Device.

SECTION 6 DISASSEMBLY AND ASSEMBLY

Be sure your pistol is clear by following the instructions on the inside cover or page 9.

NOTE: Photographs in this section show USP Compact models, disassembly and assembly of full-size and specialized USP models is the same.

Pistol Disassembly (Field stripping)

1. Depress the slide release and allow the slide to move forward.
2. Using the firing hand, retract *and hold* the slide to the rear so that the axle of the slide release is visible through the recess in the left side of the slide (See Fig. 10).
3. With the non-firing hand, completely remove the slide release from the left side of the frame by pressing on the axle of the slide release from the right side of the frame.



Fig. 10

CAUTION: Hold the recoil assembly in place while removing the slide from the frame. If not, this assembly could be released under spring tension and could possibly cause injury to personnel, or become damaged or lost.

4. Remove the slide with barrel and recoil spring assembly by sliding it forward off of the frame. (See Figure 11)



Fig. 11

5. Carefully remove the recoil spring assembly from the barrel and slide by lifting up on the rear of the recoil spring guide rod. The entire assembly can now be lifted out of the slide (see Figure 12)
6. Remove the recoil spring assembly. The USP series pistols use a "captive" recoil spring assembly, disassembly is not recommended.
7. Lift the rear of the barrel by the locking block and withdraw it from the slide.



Fig. 12

NOTE: Disassembly of the pistol is now complete. Only an HK certified armorer should disassemble the pistol further.

Pistol Assembly

1. Position the barrel in the slide so that:
 - The muzzle of the barrel fits in the hole in the front of the slide.
 - The locking block portion of the barrel fits within the ejection port and the angled locking surfaces of the locking block are visible along the bottom of the slide.
2. Install the recoil spring assembly into the slide so the front of the recoil spring guide rod engages in the small hole provided in the front of the slide.
3. Align the opposing angled locking surfaces on the rear end of the recoil spring guide rod with those located on the bottom of the barrel locking block. (See Figures 13 & 14)
4. Push the rear of the recoil spring assembly forward enough so that the recoil spring retainer can be engaged on the shelf provided on the front of the barrel locking block. (See Figure 13, 14, & 15)



Fig.13A

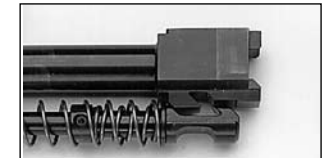


Fig.13B

Relationship of recoil spring assembly to barrel locking block inside of slide, USP COMPACT left, USP right



Fig. 14 A



Fig. 14 B

Recoil spring assembly and barrel properly positioned in the slide, USP COMPACT left, USP right

5. Hold the slide in the non-firing hand with the thumb holding the rear end of the recoil spring assembly in place on the slide.



Fig. 15

6. Check the position of the sear axle on the frame. Ensure that it does not protrude from either side of the frame. (See Figure 16 below)



Fig. 16

7. Hold the frame in the firing hand. Position the rear of the slide above the front edge of the frame.
8. Slowly draw the slide back onto the frame and press down on the disconnecter with the rear of the slide so that the metal inserts in the frame fit into the grooves on the inside of the slide. (See Figure 17)



Fig. 17

9. Retract the slide to the point where the recess in the left side of the slide is positioned over the hole where the axle of the slide release will go **and hold it there.**
10. Insert the slide release from left to right into the frame until it is flush with the side of the frame.

NOTE: Assembly of the pistol is now complete. Clear the pistol and check it for correct assembly and operation. Be sure the slide moves freely on the frame and with the pistol cleared and pointed in a safe direction, ensure all controls operate correctly. As applicable, check double-action only mode, slide release, and the magazine release.

NOTE: The recoil springs of the USP9 Compact and USP40 Compact are different. To prevent confusion during reassembly, the USP9 Compact recoil spring is colored red to differentiate it from that of the USP40 Compact.

MAGAZINE DISASSEMBLY

CAUTION: Beware of the spring tension exerted by the magazine spring while removing and installing the magazine floorplate. Keep the base of the magazine pointed in a safe direction (away from the face and eyes) at all times during disassembly.

Disassembly of high-capacity magazines

1. Using a blunt pointed instrument depress the locking detent located in the floorplate and hold it there (see Figure 18).
2. Place a portion of either hand over the base of the magazine to control the release of the magazine spring and locking plate.
3. Slowly slide the floorplate forward off of the magazine housing.



Fig. 18



Fig. 19

4. Gradually allow the locking plate and magazine spring to expand out of the magazine housing.
5. Remove the locking plate, magazine spring and magazine follower from the magazine housing.

Disassembly of 10-round magazines

1. Using a blunt pointed instrument depress the locking insert detent located in the floorplate and hold it there (see Figure 18).
2. Place a portion of either hand over the base of the magazine to control the release of the magazine spring and locking insert.
3. With the locking insert detent still depressed, squeeze the floorplate locking tabs located on the right and left sides of the magazine.
4. Gradually allow the locking insert and magazine spring to expand out of the magazine housing. (See Figure 19)
5. Remove the locking insert, magazine spring and magazine follower from the magazine housing.

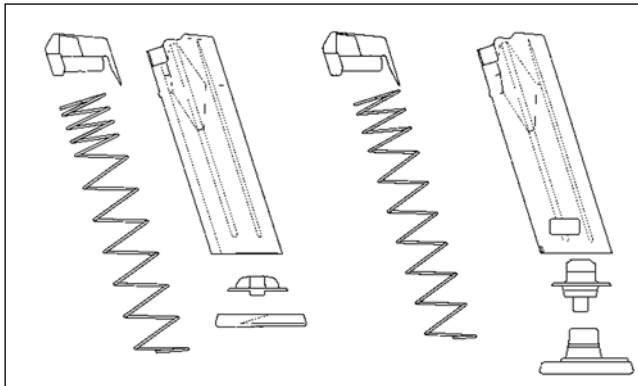


Fig. 20 High capacity magazine (left) 10-round magazine (right)

Magazine Assembly (for all models)



Fig 21

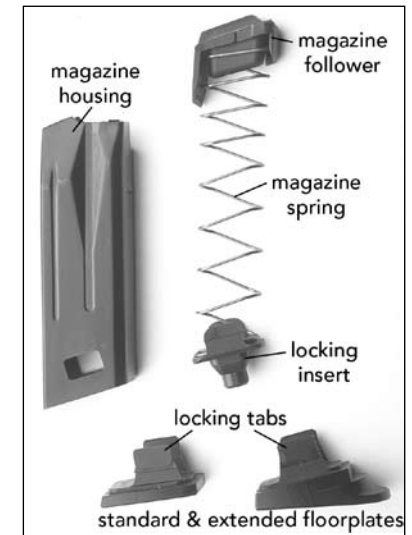


Figure 22 - 10 rd. magazine

1. Place the magazine follower onto the magazine spring with the end of the spring positioned on the left of the follower.
2. Insert the follower and magazine spring into the magazine housing as depicted in Figure 21.
3. Place the locking plate, or locking insert on standard magazines, onto the protruding end of the magazine spring so that the rounded corners face towards the front of the magazine.
4. Push the locking plate down into the magazine housing against the pressure of the magazine spring and hold it there.
5. On 10-round magazines, push the floorplate up onto the base of the magazine housing until the locking tabs engage in the sides of the housing. Check to see if the locking tabs on the floorplate are securely locked into the housing and the locking detent on the locking plate fits within the hole in the floorplate.

On high-capacity magazines, push the floorplate over the base of the magazine housing and the locking plate from front to rear. Make sure the floorplate is fully seated on the magazine housing and the locking detent on the locking plate fits within the hole in the floorplate.

On all magazines, check the magazine for proper assembly by insuring that the follower slides up and down freely within the magazine housing and with spring tension. Also check that the magazine follower rises within the magazine housing to be nearly flush against the bottom of the magazine feed lips.

CLEARING THE PISTOL

The pistol is not considered "clear" or safe unless:

1. The control lever (if applicable) is on "safe" and;
2. The magazine is removed from the pistol and;
3. The slide is locked to the rear and;
4. The chamber is free of brass or ammunition

To Clear the pistol:

1. Make sure fingers are outside of the trigger guard and the pistol is pointed in a safe direction at all times!
2. Engage control lever (if applicable) - press the control lever upwards until the "S" (safe) aligns with the reference line located on the frame.
3. Remove magazine - depress the magazine release lever and remove the magazine from the pistol.
4. Open and lock slide - while keeping the pistol pointed in a safe direction, lock the slide open by pulling the slide rearward as you press the slide release upward. Watch for a cartridge or empty case to be ejected from the pistol.
5. Inspect chamber - inspect chamber for the presence of a cartridge or empty case by:
 - Visually viewing chamber through the open ejection port and;
 - Physically inserting a finger into the chamber through the ejection port to check for the presence of a cartridge or empty case.
 - Remove any cartridges or empty cases from the chamber or from within the pistol.

The Pistol is now considered "Clear."

CAUTION: A function check should be performed everytime the pistol has been disassembled. The function check should be performed after the pistol is cleared (see above).

FUNCTION CHECK (Variants 1 and 2)

1. Perform Clearing Procedure (see above) and ensure Control Lever is set on "S".
2. Place muzzle in a safe direction and rack the slide to rear three or four times in quick succession. The Slide should not bind when traveling back and forth on the frame.
3. "SAFE": Let the slide go forward and completely go in to battery; the hammer should now be cocked. With an unloaded pistol and the muzzle in a safe direction, ensure the Control Lever is set on "S" and attempt to pull the trigger. The hammer must not fall.
4. "SINGLE ACTION": Rotate the Control Lever to "F" (Fire) and with an unloaded USP and the muzzle in a safe direction, attempt to pull the trigger and hold to the rear. Hammer should fall
5. With the trigger still held towards the rear, rack the slide and release. The hammer should be caught by the sear as signified by a metallic click.
6. Release the trigger completely and re-engage trigger. Hammer should fall.
7. "DOUBLE ACTION": With the hammer now in the uncocked (up) position, pull the trigger to the rear and hold. Hammer should fall.
8. With the trigger still held towards the rear, rack the slide and release. The hammer should be caught by the sear as signified by a metallic click.

9. "DECOCK": Pull down on the control lever, allowing the hammer to decock.

10. Place the Control Lever back on "S" (Safe).

FUNCTION CHECK (Variants 3 and 4)

1. Perform Clearing Procedure (see above).
2. Place muzzle in a safe direction and rack the slide to rear three or four times in quick succession. The slide should not bind when traveling back and forth on the frame.
3. Let the slide go forward and completely go in to battery; the hammer should now be cocked.
4. "SINGLE ACTION": With the muzzle pointed in a safe direction, attempt to pull the trigger and hold to the rear. Hammer should fall
5. With the trigger still held towards the rear, rack the slide and release. The hammer should be caught by the sear as signified by a metallic click.
6. Release the trigger completely and re-engage trigger. Hammer should fall.
7. "DOUBLE ACTION": With an unloaded pistol and the hammer now in the uncocked (up) position, pull the trigger to the rear and hold. Hammer should fall.
8. With the trigger still held towards the rear, rack the slide and release. The hammer should be caught by the sear as signified by a metallic click.
9. "DECOCK": Pull down on the control lever, allowing the hammer to decock.

FUNCTION CHECK (Variants 5 and 6)

1. Perform Clearing Procedure (see above) and ensure Control Lever is set on "S".
2. Place muzzle in a safe direction and rack the slide to rear three or four times in quick succession. The Slide should not bind when traveling back and forth on the frame.
3. "SAFE": Let the slide go forward and completely go in to battery; the hammer should now be in the up (half-cocked) position. With an unloaded USP and the muzzle in a safe direction, ensure the Control Lever is set on "S" and attempt to pull the trigger. The hammer must not fall.
4. "DOUBLE ACTION": Rotate the Control Lever to "F" (Fire) and with an unloaded USP and the muzzle in a safe direction, attempt to pull the trigger and hold to the rear. Hammer should fall.
5. With the trigger still held towards the rear, rack the slide and release. The hammer should return to the up (half-cocked) position.
6. Pull the trigger to the rear and release. The hammer should return to the up (uncocked) position.
7. Place the Control Lever back on "S" (Safe).

FUNCTION CHECK (Variant 7):

1. Perform Clearing Procedure (see above).
2. Place muzzle in a safe direction and rack the slide to rear three or four times in quick succession. The Slide should not bind when traveling back and forth on the frame.
3. "DOUBLE ACTION": With an unloaded pistol and the muzzle in a safe direction, attempt to pull the trigger and hold to the rear. Hammer should fall.
4. With the trigger still held towards the rear, rack the slide and release. The hammer should return to the up (half-cocked) position.
5. Pull the trigger to the rear and release. The hammer should return to the up (uncocked) position.

FUNCTION CHECK (LEM Variant)

1. Perform Clearing Procedure (see above).
2. Place muzzle in a safe direction and rack the slide to rear three or four times in quick succession. The slide should not bind when traveling back and forth on the frame.
3. Allow the slide go forward and completely go in to battery; the hammer should now be in the half-cocked position.
4. "LEM": With an unloaded USP and the muzzle in a safe direction, attempt to pull the trigger and hold to the rear. Hammer should fall.
5. With the trigger still held towards the rear, rack the slide and release. The internal hammer cocking piece should be caught by the sear as signified by a metallic click.
6. Release the trigger completely and re-engage trigger. Hammer should fall.
7. "Double Action": With the hammer now in the uncocked (up) position, pull the trigger to the rear and hold. Hammer should fall.
8. With the trigger still held towards the rear, rack the slide and release. The hammer should be caught by the sear as signified by a metallic click.

SECTION 7 CLEANING & MAINTENANCE

NOTE: The service life and performance of your USP Series Pistol is dependent upon the correct handling and proper care by the operator.

Materials Required - At a minimum, we suggest the following materials to properly clean the USP Pistol

- Cleaning rod with handle and patch holder
- Nylon toothbrush
- Bronze bristle bore brush (in the appropriate caliber)
- Cleaning patches (in the appropriate caliber)
- Lint-free wiping rag
- Cleaning solvent/lubricant
- Cotton swabs

CAUTION: Use safety goggles when using solvents and exercise care if using compressed air.

HK Handgun Cleaning Kits, #701956 (9mm & .357SIG), #701957 (.40 S&W), and #701958 (.45ACP) are available from HK for thorough cleaning of the USP series pistols and other firearms.

Cleaning Intervals - Normal and Major are the two types of operator cleaning for the USP Pistol.

Normal Cleaning - Performed after each firing or every twelve (12) months.

Major Cleaning - Often referred to as "detailed cleaning". Performed after the firing of 500 cartridges or when the pistol is exposed to, or laden throughout with sand, dust, water (especially salt water), or other visible contaminants or foreign matter.

Normal Cleaning

CAUTION: Do not use a stainless steel bore brush which can scratch the polygonal bore and reduce accuracy.

Slide -

- Gently scrub all internal surfaces of the slide using the nylon toothbrush moistened with solvent.
- Remove all loose fouling from all surfaces of the slide using a rag and cotton swabs.

Recoil spring assembly -

- Remove all visible fouling using solvent, a nylon toothbrush, a rag and cotton swabs.

Barrel (with locking block) -

- Moisten a bronze bore brush with solvent and scrub the bore from chamber to muzzle at least six (6) passes, back and forth.
- Remove the loose fouling from the bore using cleaning patches.
- Gently scrub the exterior of the barrel and locking block with the nylon toothbrush moistened with solvent.
- Remove all loose fouling from the exterior of the barrel using a rag and cotton swabs.

Frame

- Gently scrub all internal surfaces where carbon fouling is present using the nylon toothbrush moistened with solvent. Concentrate on the area normally covered by the slide.
- Using a rag and cotton swabs, remove all loose fouling from all areas of the frame.

Magazine

- Gently scrub the top of the magazine, concentrating on the follower and feed lips, using the nylon toothbrush moistened with solvent.
- Using a rag and cotton swabs, remove all loose fouling from all surfaces of the magazine.

Major Cleaning - Major Cleaning is the same as normal cleaning except that:

- The magazine is disassembled for cleaning.
- All parts should be rinsed with, or immersed in, solvent and thoroughly scrubbed with a nylon brush. The parts can then be dried using compressed air or with a rag and cotton swabs.

NOTE: All parts of the USP Pistol can be immersed in any cleaning solvent that it is safe to put your hands into, including ultrasonic cleaning solution. Use of ultrasonic cleaning machines can result in the unwanted removal of colored reference markings of the frame, extractor, and control lever (where applicable).

Inspection - During and after cleaning visually inspect the pistol and its components for any irregularities that may cause problems or stoppages during operation. Generally, you should keep a watchful eye out for the discrepancies listed below.

Always clear the pistol before conducting your inspection!

- Damaged or missing parts
- Improper assembly or function
- Absence of free movement, where applicable
- Absence of spring tension, where applicable
- Unaccustomed looseness
- Parts exhibiting signs of cracks, burrs, dents, or obvious signs of damage or stress
- Presence of stops or tactile clicks, where applicable.
- General overall cleanliness
- Presence of sufficient lubrication
- Presence of corrosion or degradation of surface finish

CAUTION: This pistol has been developed by capable and experienced engineers. Its present design represents an optimization of a combination of safety, speed of deployment, accuracy, dependability, and durability. Do not attempt to make this pistol "better" by altering any of its components. Altering any part of the pistol or magazine may cause injury or death and will also void any HK warranty on the product.

Lubrication

Metal surfaces of the USP Pistol are treated with HK's special corrosion & wear resistant Hostile Environment (HE) finish. This surface treatment does not completely reduce the friction between moving parts and it is recommended that a lubricant be applied to the pistol to ensure proper functioning. Any type of high-quality, medium weight lubricant (oil) specifically designed for use on firearms will work well on the USP Pistol. Do not use lubricants that boast of their ability to penetrate metal as these substances may deaden primers.

Where and How Much

No Lube - Surface is dry and not slippery to the touch

- All plastic components, i.e. frame

Light Lube - A finger run across the surface yields little or no lube

- Bore, chamber, and exterior of barrel
- All metal parts
- All internal parts in slide and frame
- Magazine spring
- Recoil spring assembly
- Sights
- USP metal magazine housing, where applicable

Medium Lube - A finger run across the surface yields some lube but lube does not run down surface when it is held in a vertical position.

- Barrel locking block
- Slide rails and grooves
- All operating controls
- Locking insert and guiding part in frame
- Extractor

Heavy Lube - Lubrication runs down the surface when it is held in a vertical position

No heavy lube is required on USP Pistols

Reapply lubricant periodically during firing as it burns off from the heat. Apply lubricant using a clean shaving brush, cotton swabs, patches, or rag. A spray bottle of lubricant also works well when using compressed air to circulate the lubricant into all parts and to remove the excess from the pistol.

Troubleshooting Problems and Repair

The ten inspection areas listed above should be checked prior to contacting HK if your pistol fails to function properly. Other common causes of problems that are often overlooked include:

- Fouled or improperly lubricated pistol
- Bad ammunition
- Damaged magazines
- Operator error

If your USP Pistol still fails to function, please contact HK Customer Service for the name and address of your nearest HK Authorized Repair Facility. Military and law enforcement users, contact your unit armorer or HK Customer Service.

NOTE: If after reviewing this manual you still have questions, please contact HK Customer Service at (706) 568-1906.

LOCK-OUT DEVICE

All USP Pistols produced and delivered in the U.S. after October 1999 are equipped with a patented HK Lock-Out™ Device. This component replaces the lanyard loop insert in the frame and when engaged locks the handgun's action by blocking any movement of the trigger, the hammer, and the slide. The handgun is locked and cannot fire until unlocked. The Lock-Out control plate is accessible through the pistol's magazine well (see figure 23).

WARNING: Always point the pistol in a safe direction when locking or unlocking the Lock-Out Device. The pistol should be unloaded and "clear" before locking the Lock-Out Device.



Figure 23
Unlocked/FIRE position

Figure 24
Turn the key clockwise
to lock the action

Figure 25
Locked/SAFE position

Use the two pronged key supplied with the pistol to lock or unlock the pistol as desired. When the holes on the Lock-Out Device are horizontally positioned the pistol is locked and cannot be fired (see Figure 25).

CAUTION: In USP pistols fitted with the Law Enforcement Modification (LEM), the pistol must first be unloaded, "cleared", and dry fired to release the compressed hammer spring before the Lock-Out Device can be locked.

When the holes on the Lock-Out Device are vertically positioned the pistol is unlocked and can be fired (see Figure 24).

WARNING: The HK Lock-Out Device is not a substitute for safe gun handling practices. Never point the muzzle of the pistol in an unsafe direction (at yourself or others). When the Lock-Out Device is placed in the locked position the slide is locked in the closed position and cannot be moved! Forcing the slide rearward while the gun is in this locked position will damage the USP Compact.

HAMMER AND CATCH NOTIFICATION

It is highly recommend that all maintenance work be completed by a certified HK armorer. In 2005, the USP catch was modified to fit the revised USP hammer. Both of the units pictured below function in the same manner if installed properly. However, a safety issue is created if the parts are mismatched. Please verify that the part numbers and the correct assembly are completed before installation. Improper installation or mismatched parts can result in a severe malfunction. Please contact HK Customer Service for more information.

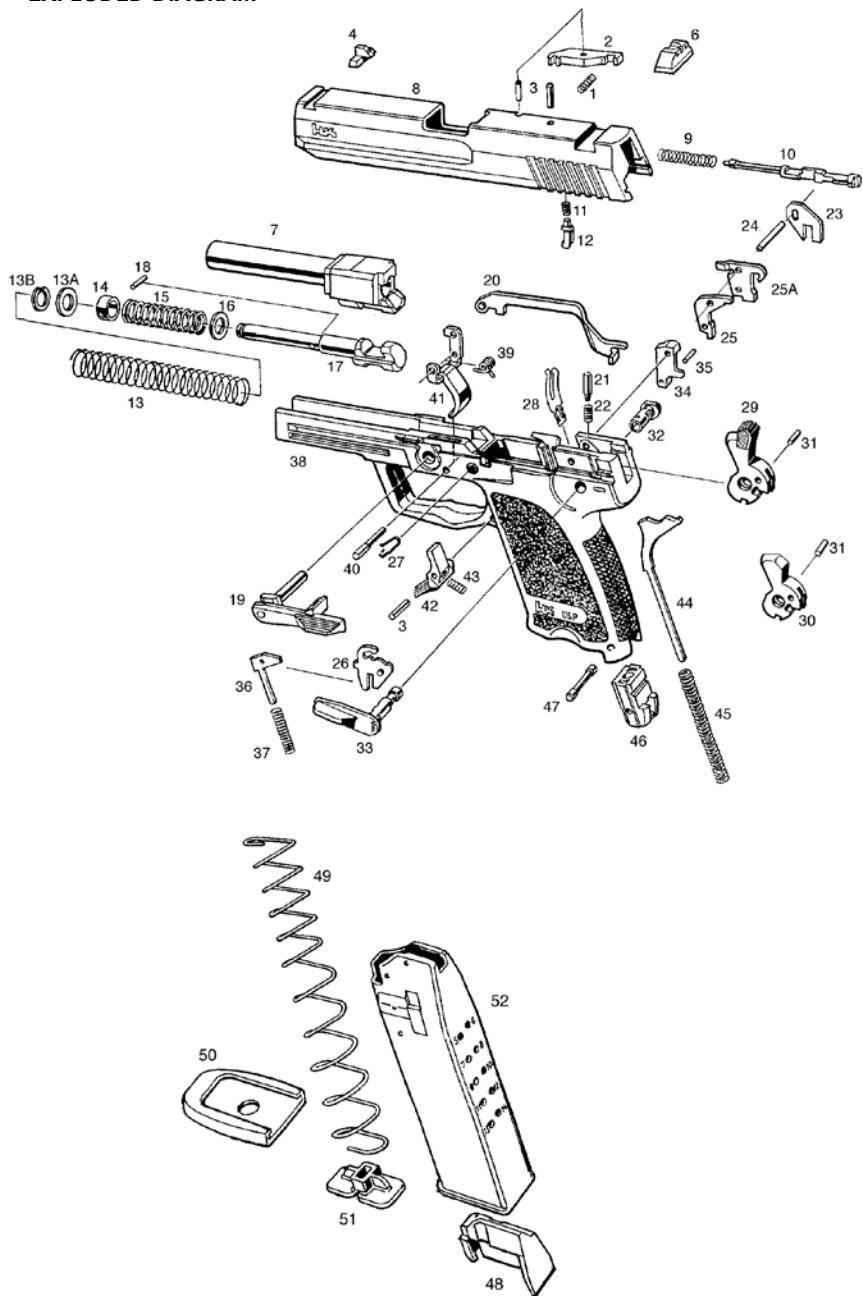


Figure 26
New version (left), old version (right)

NOTE: All maintenance should be performed by a certified HK armorer. Though new parts may fit with older parts, they may not function properly unless fitted by an HK certified armorer. Malfunctions could cause injury or even death. For more information, please contact HK Customer Service at (706) 568-1906.

SECTION 9 EXPLODED VIEWS & PARTS LISTS

USP (.40 S&W AND 9 MM MODELS)
EXPLODED DIAGRAM

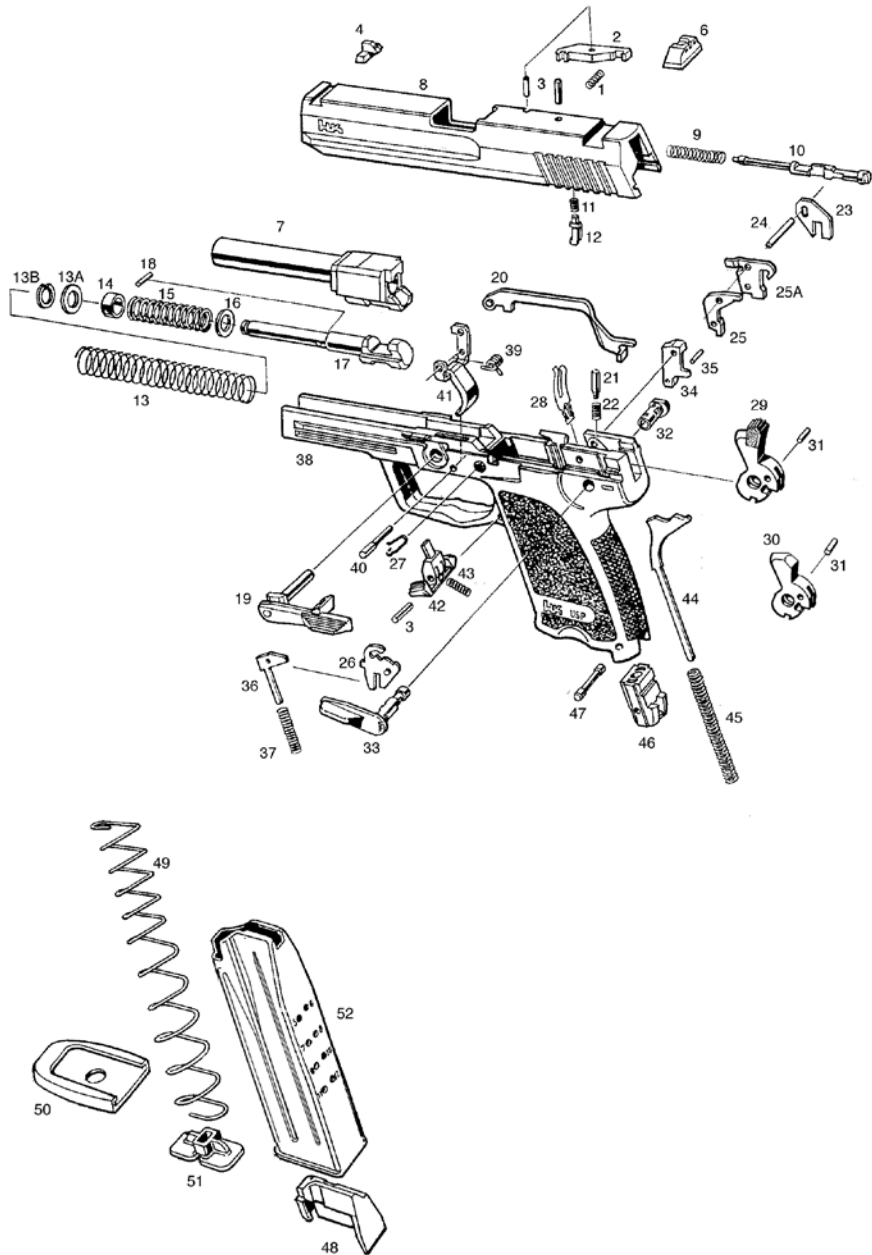


USP PARTS LIST (.40 S&W AND 9 MM MODELS)

Item	Description	Identification No	Item	Description	Identification No.
1	Extractor spring	214188	30	Hammer, bobbed (v.5, 6, 7)	214256
2	Extractor	214187		Hammer, bobbed, complete**	214308
3	Roll pin, ISO 8748 - 3 X 14 mm (3x) (Extractor, firing pin, mag release)	980838	31	Cyl. pin, ISO 8750 -1.5 X 8mm (hammer strut pin)	982783
4	Front sight* (6.4 mm)	214220	32	Hammer axle (new style)	214774
	Front sight* (6.6 mm)	214221		Hammer axle** (v.1-6, 9, 10)	214303
	Front sight* (6.8 mm) standard	214222		Hammer axle** (variant 7)	214258
	Front sight* (7.0 mm)	214223	33	Control lever (variant 1, 5, 9)	214184
	Front sight* (7.2 mm)	214224		Control lever (variant 2, 6, 10)	214309
	Front sight* (7.4 mm)	214225		Control lever (variant 3)	214352
6	Rear sight	214194		Control lever (variant 4)	214253
7	Barrel (.40 S&W)	214209	34	Sear (variant 1-4, 9, 10)	214180
	Barrel (9 X 19 mm)	214344		Sear, complete**	214179
8	Slide (.40 S&W)	214186	34A	Tube (variant 5, 6, 7)**	214413
	Slide, complete** (.40 S&W)	214150	35	Roll pin, ISO 8748 - 2 X 10mm (sear, variant 1, 2, 3, 4, 9, 10)	982785
	Slide (9 X 19 mm)	214304	36	Detent slide (variant 1-6, 9, 10)	214105
	Slide, complete** (9 mm x 19)	214345	37	Compression spring, (detent slide) variant 1-6, 9, 10	214104
9	Firing pin spring	214190	38	Frame, incomplete	214172
10	Firing pin (old style)	214189	39	Trigger rebound spring	214164
	Firing pin (new style)	202624	40	Trigger axle	214154
11	Firing pin block spring (old style)	214192	41	Trigger	214153
	Firing pin block spring (new style)	209296	42	Magazine release	214169
12	Firing pin block (old style)	214191	43	Magazine release spring	214170
	Firing pin block (new style)	209313	44	Hammer strut (new style)	214819
13	Recoil spring	214148		Hammer strut**	214157
13A	Front recoil spring retainer	214721	45	Hammer spring	214300
13B	Snap ring	929191	46	Lanyard loop insert	214341
14	Buffer spring retainer	214208	47	Lanyard loop insert pin	214314
15	Buffer spring	214207	48	Magazine follower	214211
16	Recoil spring retainer	214206		Mag. follower(10-rd, .40 & 9mm) **	214211
17	Recoil spring guide rod	214205	49	Magazine spring	214212
	Recoil/buffer spring assembly complete with captive recoil spring**			Magazine spring (10-rd) **	214850
18	Roll pin, ISO 8748 - 3.5 X 10mm (buffer spring retainer)	982782	50	Floorplate	214213
19	Slide release	214181		Floorplate (10-rd, .40 cal.) **	214845
20	Trigger bar, complete	214176		Floorplate (10-rd, 9mm) **	214848
21	Trigger bar detent	214165	51	Locking plate (for high capacity mags)	214288
22	Trigger bar detent spring	214166		Locking plate (10rd, .40 cal.) **	214844
23	Disconnecter	214840		Locking plate (10rd, .9mm)**	214847
24	Sear axle	214101	52	Magazine housing (13rd, .40 cal.)	214214
25	Catch	214773		Magazine housing (15rd, 9mm)	214350
25A	Sear actuator latch	214817		Magazine housing (10rd, .40 cal.)	214846
25B	Catch (old style)**	214159		Magazine housing (10rd, 9mm)	214849
26	Detent plate (variant 1 & 2)	214099		Magazine complete (10rd, .40 cal.)**	214854
	Detent plate** (variant 3 & 4)	214254		Magazine complete (10rd, 9mm)**	214855
	Detent plate** (v. 5, 6, 9, & 10)	214255		Magazine complete (13rd, .40 cal.)**	214864
27	Shaped spring (slide release)	214171		Magazine complete (15rd, 9mm)**	214866
28	Flat spring	214167			
29	Hammer (variant 1-4, 9 & 10)	214825			
	Hammer, complete**	214301			
	with pin (variant 1-4, 9 & 10)				
29A	Hammer (variant 1-4, 9 & 10)**	214106			

**Not pictured in diagram

**USP45 (.45 ACP MODEL)
EXPLODED DIAGRAM**



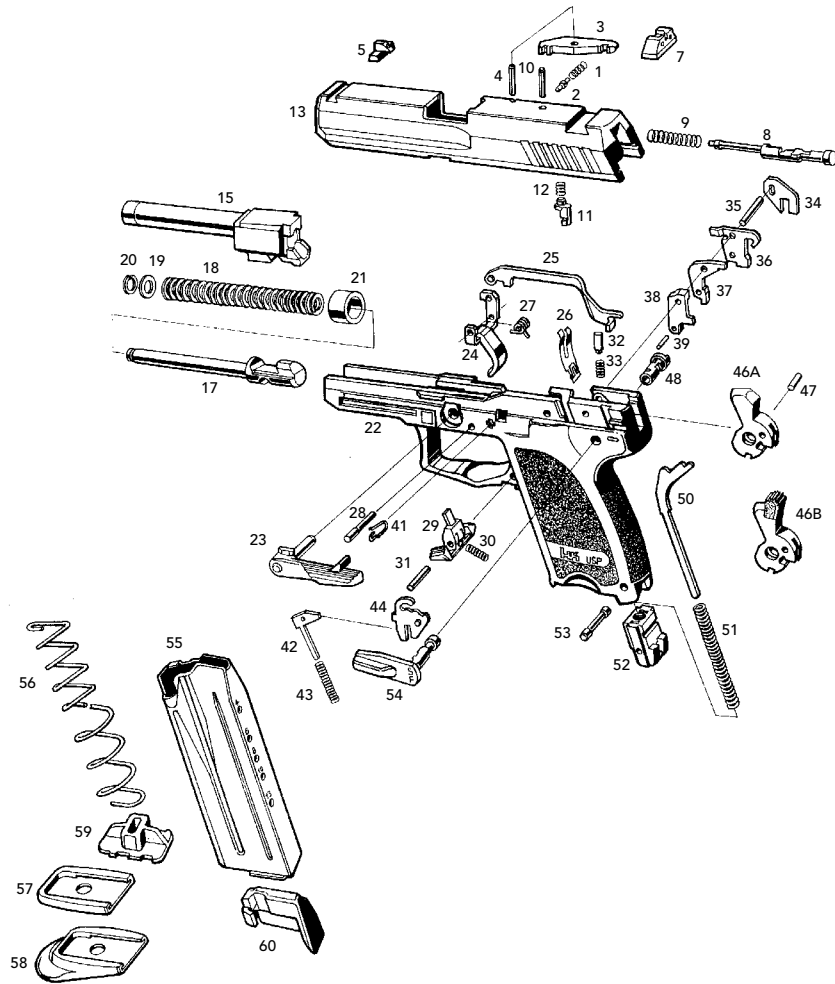
USP 45 PARTS LIST (.45 ACP MODEL)

Item	Description	Identification No.	Item	Description	Identification No.
1	Extractor spring	214188	30	Hammer, bobbed** (v.5, 6, 7)	214256
2	Extractor	214828		Hammer, bobbed complete**	214744
3	Roll pin, ISO 8748 - 3 X 14 mm(3x)	980838	(v.5, 6, 7)		
4	Front sight** (6.4 mm)	214220	31	Cyl. pin, ISO 6325 2.5x8mm	971598
	Front sight** (6.6 mm)	214221	(hammer strut pin)		
	Front sight** (6.8 mm) standard	214222	32	Hammer axle (v.1-6, 9,10)	214774
	Front sight** (7.0 mm)	214223		Hammer axle** (variant 7)	214258
	Front sight** (7.2 mm)	214224	33	Control lever (variant 1, 5, 9)	214184
	Front sight** (7.4 mm)	214225		Control lever (variant 2, 6, 10)	214309
6	Rear sight	214194		Control lever (variant 3)	214352
7	Barrel	214815		Control lever (variant 4)	214253
8	Slide, incomplete	214827	34	Sear (variant 1-4, 9, 10)	214180
	Slide, complete	214826		Sear, complete**	214179
9	Firing pin spring	214190	34A	Tube** (variant 5, 6, 7)	214413
10	Firing pin	214189	35	Roll pin, ISO 8748 - 2 X 10mm	982785
11	Firing pin block spring (old style)	214192	(sear, variant 1, 2, 3, 4, 9, 10)		
	Firing pin block spring (new style)	209296	36	Detent slide (variant 1-6, 9, 10)	214105
12	Firing pin block (old style)	215935	37	Compression spring,	214104
	Firing pin block (new style)	209313	(detent slide) variant 1-6, 9, 10		
13	Recoil spring	214822	38	Frame, complete	214816
13A	Front recoil spring retainer	214721		Frame, incomplete	214675
13B	Snap ring	929191	39	Trigger rebound spring	214164
14	Buffer spring retainer	214208	40	Trigger axle	214154
15	Buffer spring	214843	41	Trigger	214841
16	Rear recoil spring retainer	214206	42	Magazine release	214818
17	Guide rod, incomplete	214830	43	Magazine release spring	214170
17	Recoil/ buffer spring assembly	214829	44	Hammer strut	214819
	complete		45	Hammer spring	214300
18	Roll pin, ISO 8748 - 3.5 X 10mm	929908	46	Lanyard loop insert	214836
	(buffer spring retainer)			HK Lockout (replaces 214836)	219461
19	Slide release	214181	47	Lanyard loop insert pin	214314
20	Trigger bar, complete	214176	48	Magazine Follower	214832
21	Trigger bar detent	214165	49	Magazine spring (12-rd)	214833
22	Trigger bar detent spring	214166		Magazine spring** (10-rd)	214850
23	Disconnecter	214840	50	Magazine floorplate (12-rd)	214834
24	Sear axle	214101		Magazine floorplate (10 rd)	214852
25	Catch	214773	51	Locking plate (12-rd)	215871
25A	Sear actuator latch	214817		Locking insert** (10-rd)	214853
26	Detent plate (variant 1 & 2)	214099	52	Magazine housing (12-rd)	214869
	Detent plate** (variant 3 & 4)	214254		Magazine housing** (10-rd)	214851
	Detent plate** (v. 5, 6, 9, & 10)	214255		Magazine complete** (10-rd)	214868
27	Shaped spring (slide release)	214171		Magazine complete** (12-rd)	214862
28	Flat spring	214167		Mag. extended floorplate** (10-rd)	215954
29	Hammer, complete	214825		Mag. extended floorplate** (12-rd)	217710
	(variant 1-4, 9 & 10)			Lockout key** for use with Lockout 200791	

**Not pictured in diagram

USP COMPACT (.40 S&W, .357 SIG, & 9MM MODELS)
EXPLODED DIAGRAM

USP COMPACT PARTS LIST (.40 S&W, .357 SIG, AND 9MM MODELS)

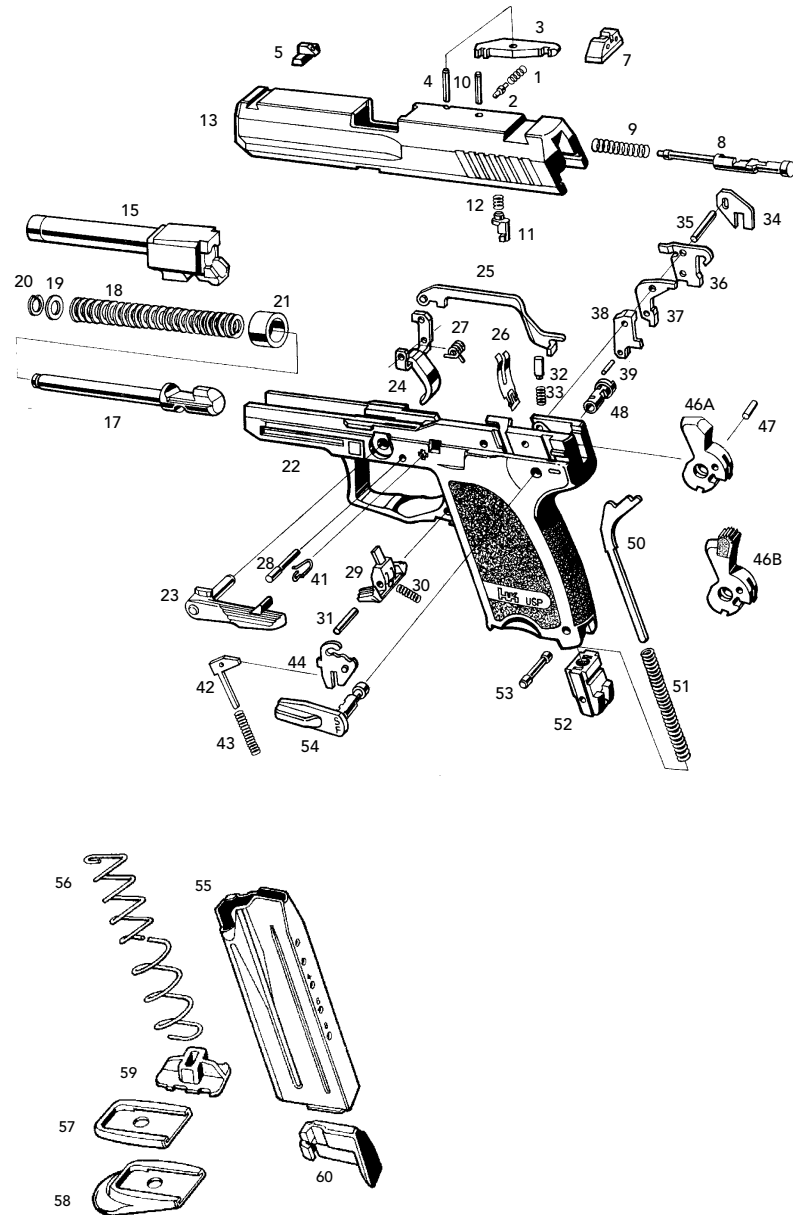


Item	Description	Identification No.	Item	Description	Identification No.
1	Extractor spring	214188	46	Hammer, bobbed, complete	215692
2	Rubber plug, extractor spring	215801		(variant 1, 2, 3, 4)**	
3	Extractor	215919		Hammer, bobbed	214693
4	Roll pin, ISO 8748 - 3 X 14mm (extractor)	980838		(variant 1, 2, 3, 4)**	
5	Front sight* (6.0 mm)	215823	46A	Hammer, bobbed, complete	214744
	Front sight* (6.2 mm) standard	215824		(variant 5, 6, 7)**	
	Front sight* (6.4 mm)	214220		Hammer, bobbed (variant 5, 6, 7)	214745
	Front sight* (6.6 mm)	214221	46B	Hammer, spurred, complete	214825
	Front sight* (6.8 mm)	214222		(variant 9, 10)**	
	Front sight* (7.0 mm)	214223		Hammer, spurred (variant 9, 10)	926066
	Front sight* (7.2 mm)	214224	47	Roll pin, hammer	214774
	Front sight* (7.4 mm)	214225	48	Hammer axle (v.1-6, 9,10)	214258
7	Rear sight*	214356	49	Hammer axle DA (variant 7)	215809
8	Firing pin (old style)	215821	50	Hammer strut	215694
	Firing pin (new style)	209295	51	Hammer spring	214341
9	Firing pin spring	215822	52	Lanyard loop insert	
10	Roll pin, ISO 3 X 14mm	980838	52A	Lock-out device (replaces lanyard loop insert, item 52 above)**	219455
11	Firing pin block (old style)	215935	53	Lanyard loop insert pin	215829
	Firing pin block (new style)	209313	54	Control lever (variant 1, 5, 9)	215818
12	Firing pin block spring (old style)	214192		Control lever (variant 2, 6, 10)**	215855
	Firing pin block spring (new style)	209296		Control lever (variant 3)**	215858
13	Slide (.40 S&W)	215820		Control lever (variant 4)**	215872
	Slide (.357 SIG)	contact HK for #	54A	Ambidextrous control lever (left)**	217756
	Slide (9mm)	215840		Ambidextrous control lever (right)**	217758
14	Slide complete (.40 S&W)**	215819	54B	Roll pin 1.5 x 8mm**	982783
	Slide complete (.357 SIG)**	217812	55	Magazine housing (.40 cal., 10-rd)**	215833
	Slide complete (9mm)**	215839		Magazine housing (.40 cal., 12-rd)**	215661
15	Barrel (.40 S&W)	215799		Magazine housing (.357 SIG, 12-rd)**	contact HK
	Barrel (.357 SIG)	217813		Magazine housing (.357 SIG, 10-rd)**	217820
	Barrel (9mm)	215838		Magazine housing (9mm, 10-rd.)**	215848
				Magazine housing (9mm, 13-rd.)	215846
16	Recoil spring assembly complete with captive spring (.40 S&W)**	215827	56	Magazine spring (.40, .357 SIG, 9mm, 10-rd.)**	214850
	Recoil spring assembly complete with captive spring (9mm)**	215851		Magazine spring (9mm 13-rd./40/.357 SIG, 12-rd.)	214212
17	Recoil spring guide rod	215828	57	Floor plate (.40 cal. / .357 SIG, 10-rd.)**	215834
18	Recoil spring (.40 S&W)	215830		Floor plate (.40 cal. / .357 SIG, 12-rd.)**	215662
	Recoil spring (9mm-colored red)	215852		Floor plate (9mm, 10-rd.)**	215849
19	Recoil spring retainer	215831		Floor plate (9mm, 13-rd.)	215843
20	Spring ring	986788	58	Extended floor plate (.40/.357 SIG, 10-rd.)**	215978
21	Absorber bushing	215932		Extended floor plate (.40/.357 SIG, 12-rd.)**	215663
22	Frame	215810		Extended floor plate (9mm, 10-rd.)**	215983
23	Slide release	215814		Extended floor plate (9mm, 13-rd.)	215980
24	Trigger	215816	59	Locking plate (.40 S&W/.357 SIG)**	215835
25	Trigger bar	215812		Locking plate (9mm, 10-rd.)**	215850
26	Flat spring	214167		Locking plate (9mm 13-rd & .40 S&W/.357 SIG 12-rd)	214844
27	Trigger rebound spring	214164	60	Follower (all .40 caliber, .357 SIG, & 9mm)	215836
28	Trigger axle	214154	61	Magazine complete (10-rd, .40 cal.)**	215832
29	Magazine release	214818		Magazine complete (10-rd, .40 cal., with extended floorplate)**	215977
30	Magazine release spring	215929		Magazine complete (12-rd, .40 cal.)**	217438
31	Magazine release axle	980838		Magazine complete (12-rd, .40 cal., with extended floorplate)**	217439
32	Trigger bar detent	214165		Magazine complete (10-rd, .357 SIG)**	contact HK
33	Trigger bar detent spring	214166		Magazine complete (10-rd, .357 SIG, with extended floorplate)**	contact HK
34	Disconnecter	214840		Magazine complete (12-rd, .357 SIG)**	contact HK
35	Sear axle	214101		Magazine complete (12-rd, .357 SIG, with extended floorplate)**	contact HK
36	Sear actuator latch	214773		Magazine complete (10-rd, 9mm)**	215847
37	Catch	214179		Magazine complete (10-rd, 9mm, with extended floorplate)**	215982
38	Sear complete	214180		Magazine complete (13-rd, 9mm)**	215845
39	Sear pin	982785		Magazine complete (13-rd, 9mm, with extended floorplate)**	215981
40	Control latch**	214817			
41	Shaped spring (slide release)	214171			
42	Slide plate (variant 1-6, 9, 10)	214105			
43	Compression spring	214104			
44	Detent plate (variant 1 & 2)	214949			
	Detent plate** (variant 3 & 4)	214254			
	Detent plate** (v. 5, 6, 9, & 10)	214255			
45	Tube (variant 5, 6, 7)**	214413			

**Not pictured in diagram

USP COMPACT PARTS LIST (.45 ACP MODEL)

USP45 COMPACT (.45 ACP Model)
EXPLODED DIAGRAM



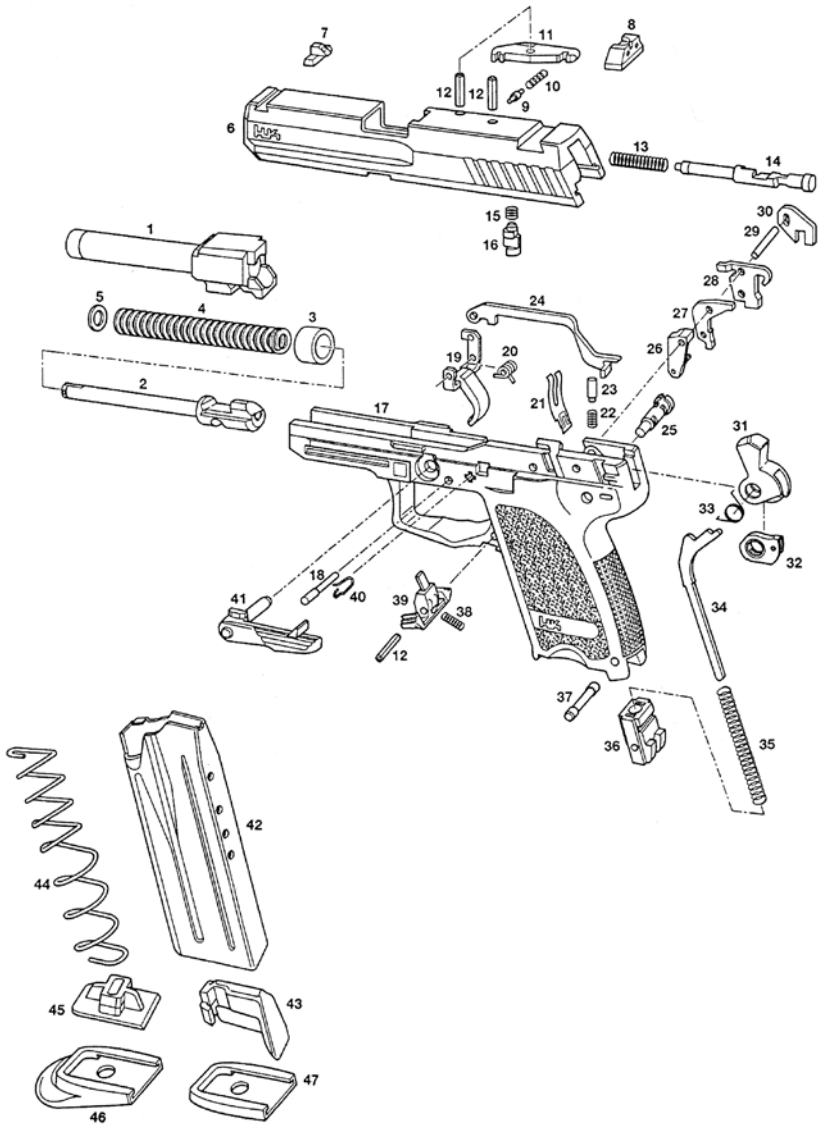
Item	Description	Identification No.
1	Extractor spring	214188
2	Rubber plug, extractor spring	215801
3	Extractor .45	215864
4	Roll pin, ISO 8748 - 3 X 14mm (extractor)	980838
5	Front sight* (6.0 mm)	215823
	Front sight* (6.2 mm) standard	215824
	Front sight* (6.4 mm)	214220
	Front sight* (6.6 mm)	214221
	Front sight* (6.8 mm)	214222
	Front sight* (7.0 mm)	214223
	Front sight* (7.2 mm)	214224
	Front sight* (7.4 mm)	214225
7	Rear sight*	214356
8	Firing pin	215928
9	Firing pin spring	215822
10	Roll pin, ISO 3 X 14mm	980838
11	Firing pin block	215935
12	Firing pin block spring	214192
13	Slide (.45 ACP)	215927
14	Slide complete (.45 ACP)**	215926
15	Barrel (.45 ACP)	215921
16	Recoil spring assembly complete with captive spring (.45 ACP)**	215930
17	Recoil spring guide rod (.45)	215931
18	Recoil spring	215830
19	Recoil spring retainer	215831
20	Spring ring	986788
21	Absorber bushing	215932
22	Frame .45 ACP	215923
	Frame (complete) .45 ACP**	215922
23	Slide release	215814
24	Trigger	215816
25	Trigger bar .45	215924
26	Flat spring	214167
27	Trigger rebound spring	214164
28	Trigger axle	214154
29	Magazine release	214818
30	Magazine release spring	215929
31	Magazine release axle	980838
32	Trigger bar detent	214165
33	Trigger bar detent spring	214166
34	Disconnecter	214840
35	Sear axle	214101
36	Sear actuator latch	214773
37	Catch	214179
38	Sear (variant 1-4, 9, 10)	214180

Item	Description	Identification No.
39	Sear pin (variant 1-4, 9, 10)	982785
40	Control latch**	214817
41	Shaped spring (slide release)	214171
42	Slide plate (variant 1-6, 9, 10)	214105
43	Compression spring	214104
44	Detent plate (variant 1 & 2)	214949
	Detent plate** (variant 3 & 4)	214254
	Detent plate** (v. 5, 6, 9, & 10)	214255
45	Tube (variant 5, 6, 7)**	214413
46	Hammer, bobbed, complete (variant 1, 2, 3, 4)**	215692
	Hammer, bobbed (variant 1, 2, 3, 4)	214693
46A	Hammer, bobbed, complete (variant 5, 6, 7)**	214744
	Hammer, bobbed (v. 5, 6, 7)**	214745
46B	Hammer, spurred, complete (variant 9, 10)**	214825
	Hammer, spurred (variant 9, 10)	214687
47	Roll pin, hammer	926066
48	Hammer axle (v.1-6, 9,10)	214744
49	Hammer axle DA (variant 7)	214258
50	Hammer strut	214809
51	Hammer spring	215694
52	Lanyard loop insert	214341
52A	Lock-out device (replaces lanyard loop insert, item 52 above)**	219455
53	Lanyard loop insert pin	215829
54	Control lever (variant 1, 5, 9)	215818
	Control lever (variant 2, 6, 10)**	215855
	Control lever (variant 3)**	215858
	Control lever (variant 4)**	215872
54A	Ambidextrous control lever (left)**	217756
	Ambidextrous control lever (right)**	217758
54B	Roll pin 1.5 x 8mm**	982783
55	Magazine housing (.45 cal., 8-rd)	215934
56	Magazine spring (.45 cal., 8-rd)	214212
57	Floor plate (.45 cal., 8-rd.)	215936
58	Extended floor plate (.45 cal., 8-rd.)	215985
59	Locking plate (.45 cal., 8-rd.)	215937
60	Follower (.45 cal., 8-rd.)	215938
61	Magazine complete (.45 cal., 8-rd.)**	215933
	Magazine complete (.45 cal., 8-rd., with extended floorplate)**	215984

**Not pictured in diagram

**USP COMPACT — LEM PISTOL
EXPLODED DIAGRAM**

**NOTE: PARTS & DIAGRAM OF .45 ACP MODEL LEM
CURRENTLY NOT AVAILABLE**



USP COMPACT PARTS LIST (LEM MODEL)

Item	Description	Identification No.	Item	Description	Identification No.
1	Barrel (.40 S&W)	215799	23	Trigger bar detent	214165
	Barrel (.357 SIG)	217813	24	Trigger bar	219438
	Barrel (9mm)	215838	25	Hammer axle (Double Action)	214258
*	Recoil spring assembly with captive spring, complete (.40 S&W) (items 2-5)	215827	26	Sear	219439
2	Recoil spring guide rod, incomplete	215828	27	Catch	219442
3	Absorber bushing	215932	28	Sear actuator latch	214817
4	Recoil spring (.40 S&W)	215830	29	Sear axle	214101
5	Recoil spring retainer	215831	30	Disconnecter	214840
6	Slide, incomplete (.40 S&W)	215820	31	Hammer	219452
	Slide (.40 S&W)	215820	32	Cocking piece	219443
	Slide (.357 SIG)	217812	33	Cocking piece spring	219444
	Slide (9mm)	215840	34	Hammer strut	215809
7	Front sight (6.0 mm)	215823	35	Hammer spring	214695
	Front sight (6.2 mm) standard	215824	36	HK Lock-Out device, complete	219457
	Front sight (6.4 mm)	214220	*	Lanyard loop insert (std) without Lock-Out	214341
	Front sight (6.6 mm)	214221	37	Lanyard loop insert pin	215829
	Front sight (6.8 mm)	214222	38	Magazine release spring	215929
	Front sight (7.0 mm)	214223	39	Magazine release	214818
	Front sight (7.2 mm)	214224	40	Shaped spring (slide release)	214171
	Front sight (7.4 mm)	214225	41	Slide release	215814
8	Rear sight	214356	12	Magazine release axle (3x14mm)	980838
9	Rubber plug, extractor	215801	*	Magazine , .40 S&W, 12-round, with extended floorplate, complete (items 42 to 46)	217439
10	Extractor spring	214188	*	Magazine complete with flat floorplate (.40 S&W 10-rd.)*	215832
11	Extractor	215919	*	Magazine complete with extended floorplate, (.40 S&W 10-rd.)	215977
12	Roll pin for extractor (ISO 3x14mm)	980838	42	Magazine housing (.40 S&W 12-rd.)	215661
	Roll pin for firing pin (ISO 3x14mm)	980838	*	Magazine housing (.40 S&W 10-rd.)	215833
13	Firing pin spring	215822	43	Follower	215836
14	Firing pin (old style)	215821	44	Magazine spring	214212
	Firing pin (new style)	209295	45	Locking plate (.40 S&W 12-rd.)	215844
15	Firing pin block spring	219454	*	Locking plate (.40 S&W 10-rd.)	215835
	Firing pin block spring (light LEM)	209296	46	Extended floorplate (.40 S&W 12-rd.)	215663
	Firing pin block spring (standard LEM)	209962	*	Extended floorplate (.40 S&W 10-rd.)	215978
16	Firing pin block (old style)	215935	47	Flat floorplate (.40 S&W 12-rd.)	215662
	Firing pin block (new style)	209313	*	Flat floorplate (.40 S&W 10-rd.)	215834
*	Key for Lock-Out device	219456		(see parts list on pages 55 for additional magazine components not found here)	
17	Frame, complete (.40 S&W, LEM)	218511			
	(items 12, 17-41)	218512			
18	Trigger axle	214154			
19	Trigger	215816			
20	Trigger rebound spring	219441			
	Trigger rebound spring (light LEM)	209266			
21	Flat spring	214167			
22	Trigger bar detent spring	214166			

* items not pictured in exploded view

SECTION 10 USP SPECIALIZED MODELS



Fig. 27 USP Specialized Models (not all models shown)

USP Specialized Models have the same core features found on standard USPs with the addition of special use features (see below). Assembly and disassembly of the USP Specialized Models is essentially the same as other full-frame USP pistols.

- adjustable trigger stop (USP Tactical, USP Expert, USP Elite, USP Match)
- rear sight with micro-meter adjustment for windage and elevation (USP Tactical, USP Expert, USP Elite, USP Match)
- high profile front sight ((USP Tactical, USP Expert, USP Elite, USP Match)
- extended threaded barrel (USP Tactical, USP Compact Tactical)
- barrel with O-ring (USP Tactical, USP Expert, USP Elite, USP Match)
- extended floorplate on magazine
- loaded chamber indicator (USP Tactical, USP Expert, USP Elite, USP Match)
- Match trigger parts (USP Expert, USP Elite, USP Match)
- Barrel weight (USP Match)

NOTE: Not all USP Specialized Models are available in all regions.

Adjustable trigger stop

The trigger stop for the USP Specialized Models is located on the trigger and limits the trigger travel immediately after the hammer has been released. It is adjusted by use

of the 1.5 mm Allen wrench equipped with the pistol. By turning the 1.5 mm set screw clockwise, the over-travel of the trigger can be reduced. Care must be exercised in making this adjustment as the screw can be adjusted far enough to prevent the proper operation of the double action and single action trigger (see Fig. 28).



Fig. 28
Trigger stop adjustment with
1.5 mm Allen (hex) wrench

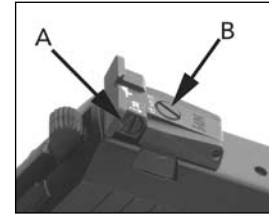


Fig. 29 Rear sight
(A) windage screw and
(B) elevation screw



Fig. 30
Adjusting elevation
screw

Rear sight

USP Specialized Models use micrometer rear target sights which are adjustable for windage and elevation. Using an appropriate screw driver, the rear sight can be precisely adjusted to align with the point of impact (Fig 29 & 30).

Adjusting the elevation

Rotate the elevation adjusting screw on the top of the rear sight in the desired direction with the screwdriver supplied with the pistol;

Depending on the model, rotating it clockwise lowers the point of impact approximately 1 cm (0.39 inch) per click at a range of 25 meters (27.3 yards), rotating counterclockwise raises it the same amount per click.

Adjusting the windage

Rotate the windage adjusting screw located on the right side of the rear sight in the desired direction with the screwdriver supplied with the pistol. Rotating clockwise moves the shot to the right. Rotating counterclockwise moves the shot to the left.

Depending on the model, each click shifts the point of impact approximately .5 cm (0.2 inch) to the left or the right at a range of 25 meters (27.3 yards).

High profile front (target) sight

The high profile front sight is mounted on the slide in a dovetail and does not require adjustment. On USP models with threaded barrels, it also allows the operator to obtain a normal sight picture when an optional sound suppressor is mounted (see Fig 31).



Fig. 31
High profile front sight



Fig. 32
O-ring shown on barrel

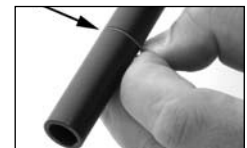


Fig. 33
Replacing O-ring

Extended barrel with O-ring (and muzzle threads on USP TACTICAL)

The 128.5 mm (5.06 inches) hammer forged polygonal barrel is engineered for a high level of accuracy. The high temperature rubber O-ring located towards the muzzle holds the barrel tightly in the slide during firing and enhances accuracy. The left hand threads

used on the barrel of the USP Tactical pistol will accept only those accessories designed for the pistol. **The MK23 sound suppressor cannot be attached to the USP45 Tactical pistol!** A specially designed sound suppressor is available for the USP45 Tactical pistol. Prolonged use of +P ammunition through the pistol with the sound suppressor attached is not recommended.

CAUTION: When used with a suppressor, use only HK approved suppressors. Even though all types of high velocity supersonic (+P) ammunition can be fired, for maximum effectiveness (suppression) only subsonic ball ammunition should be used when a sound suppressor is attached.

Place a drop of lubricant on the barrel O-ring during cleaning and replace it by hand if/when necessary. Spare O-rings are provided with each USP Specialized pistol (Fig. 32 & 33).

Elongated target slide & extended barrel

The additional length of an elongated slide on several USP Specialized models aids in balance during shooting. Together with the hammer forged polygonal barrel, these components contribute to the high level of accuracy these pistols achieve.

Extended floorplate magazine

The USP Specialized Models can use magazines with extended floorplates; providing a larger, and for many shooters, a more comfortable gripping area. It also protects the magazine if dropped and assists in the manual removal of the magazine in the event a stoppage occurs. This floorplate is removed and installed like the standard floorplate. The use of an extended floorplate does not affect the magazine capacity. Some variants of the Expert, Elite, Custom Combat, and Combat Competition have a special jet funnel feature on the grip for use with extended capacity magazines.



Fig. 34
HK Jet Funnel Allen
wrench screw



Fig. 35
Removing USP Match
counterweight with
3 mm Allen wrench



Fig. 36
Counterweight base
and screws

Loaded chamber indicator

The extractor of most USP Specialized pistols doubles as a loaded chamber indicator anytime a live cartridge or empty case is present in the chamber. A red painted portion of the extractor, or its protruding tactile feel, indicates the chamber is loaded.

Jet Funnel (present on some USP ELITE & EXPERT models)

An extension of the standard magazine well, the HK jet funnel system fits onto full size USP pistols allowing the use of special translucent high capacity magazines, enhancing grip ergonomics, and speeding magazine reloads with its internal bevel. The jet funnel feature is commonly found on the USP Elite and USP Expert models. The jet funnel is installed by an Allen screw (see Figure 34) that fastens into the bottom of the frame by replacing the lanyard insert with a special hammer spring/hammer strut retaining piece held in place by the lanyard loop insert pin. The HK lockout device and standard lanyard insert can not be used with the jet funnel.

Mounting and Removing the counter weight (USP MATCH ONLY)

The counter weight should be mounted and removed with the pistol slide in the closed position. Mount the counter weight by placing the counter weight bases so they fit into the USP mounting grooves located on the sides of the pistol frame. Secure the bases by tightening the two 3 mm Allen screws on the right side of the frame, **DO NOT OVERTIGHTEN** (see figure 35 & 36). Draw back the slide and release it letting the action close. Check to ensure the counter weight does not interfere with the movement of the slide. To remove the counter weight, reverse the assembly sequence.

SECTION 11 SPECIFICATIONS

Model	Caliber	Magazine Capacity	Sights	Width	Height
USP9	9 mm x 19	10 & 15	3-dot	1.26 in / 38 mm	5.35 in / 136 mm
USP40	.40 S&W	10 & 13	3-dot	1.26 in / 38 mm	5.35 in / 136 mm
USP45	.45 ACP	10 & 12	3-dot	1.26 in / 38 mm	5.55 in / 1.41 mm
USP9 COMPACT	9 mm x 19	10 & 13	3-dot	1.14 in / 34 mm	5.00 in / 127.5 mm
USP357 COMPACT	.357 SIG	10 & 12	3-dot	1.14 in / 34 mm	5.00 in / 127.5 mm
USP40 COMPACT	.40 S&W	10 & 12	3-dot	1.14 in / 34 mm	5.00 in / 127.5 mm
USP45 COMPACT	.45 ACP	8	3-dot	1.14 in / 34 mm	5.06 in / 128.5 mm
USP COMBAT COMPETITION	9 mm x 19	18	Fiber Optic	1.26 in / 32 mm	5.90 in / 154 mm
USP COMBAT COMPETITION	.40 S&W	16	Fiber Optic	1.26 in / 32 mm	5.90 in / 154 mm
USP CUSTOM COMBAT	9 mm x 19	18	Fiber Optic	1.26 in / 32 mm	5.90 in / 154 mm
USP CUSTOM COMBAT	.40 S&W	16	Fiber Optic	1.26 in / 32 mm	5.90 in / 154 mm
USP9SD (TACTICAL)	9mm x 19	10 & 15	3-dot	1.26 in / 38 mm	5.50 in / 145 mm
USP40 TACTICAL	.40 S&W	10 & 13	Target	1.26 in / 38 mm	5.55 in / 141 mm
USP45 TACTICAL	.45 ACP	10 & 12	Target	1.26 in / 38 mm	5.90 in / 154 mm
USP40 EXPERT	.40 S&W	10, 13, 16	Target	1.73 in / 44 mm	5.86 in / 149 mm
USP45 EXPERT	.45 ACP	10 & 12	Target	1.73 in / 44 mm	5.86 in / 149 mm
USP45 ELITE	.45 ACP	10, 12, 18	Target	1.73 in / 44 mm	5.86 in / 149 mm
USP COMPACT TACTICAL	.45 ACP	8 & 10	3-dot	1.16 in / 29 mm	5.78 in / 147 mm
USP45 MATCH	.45 ACP	10 & 12	Target	1.73 in / 44mm	5.90 in / 150 mm

Weight with Magazine	Sight Radius	Barrel Length	Rate of Twist	Overall Length	Model
1.69 lb / 770 g	6.22 in / 158 mm	4.25 in / 108 mm	9.84 in 250 mm	7.64 in / 194 mm	USP9
1.82 lb / 830 g	6.22 in / 158 mm	4.25 in / 108 mm	14.96 in 380 mm	7.64 in / 194 mm	USP40
1.96 lb / 890 g	6.34 in / 162mm	4.41 in / 112 mm	15.98 in 406 mm	7.87 in / 200 mm	USP45
1.60 lb / 727 g	5.35 in / 135 mm	3.58 in / 91 mm	9.84 in 250 mm	6.81 in / 173 mm	USP9 COMPACT
1.71 lb / 777 g	5.35 in / 135 mm	3.58 in / 91 mm	14.88 in 378 mm	6.81 in / 173 mm	USP357 COMPACT
1.71 lb / 777 g	5.35 in / 135 mm	3.58 in / 91 mm	14.96 in 380 mm	6.81 in / 173 mm	USP40 COMPACT
1.76 lb / 802 g	5.83 in / 142 mm	3.80 in / 95mm	15.98 in 406 mm	7.09 in / 179 mm	USP45 COMPACT
2.03 lb / 923 g	6.22 in / 158 mm	4.25 in / 108 mm	9.84 in 250 mm	7.64 in / 194 mm	USP COMBAT COMPETITION
2.03 lb / 923 g	6.22 in / 158 mm	4.25 in / 108 mm	14.96 in 380 mm	7.64 in / 194 mm	USP COMBAT COMPETITION
2.03 lb / 923 g	6.22 in / 158 mm	4.25 in / 108 mm	9.84 in 250 mm	7.64 in / 194 mm	USP CUSTOM COMBAT
2.03 lb / 923 g	6.22 in / 158 mm	4.25 in / 108 mm	14.96 in 380 mm	7.64 in / 194 mm	USP CUSTOM COMBAT
1.76 lb / 800 g	6.57 in / 167 mm	4.86in / 123.5 mm	9.84 in 250 mm	8.40 in / 218 mm	USP9SD (TACTICAL)
2.05 lb / 930 g	6.22 in / 158 mm	4.90 in / 124.5	14.96 in 380 mm	8.32 in / 211 mm	USP40 TACTICAL
2.03 lb / 923 g	6.73 in / 171 mm	5.09 in / 129 mm	15.98 in 406 mm	8.64 in / 218 mm	USP45 TACTICAL
2.10 lb / 955 g	7.48 in / 190 mm	5.19 in / 132 mm	14.96 in 380 mm	8.70 in / 221 mm	USP40 EXPERT
2.10 lb / 955 g	7.48 in / 190 mm	5.19 in / 132 mm	15.98 in 406 mm	8.70 in / 221 mm	USP45 EXPERT
2.08 lb / 923 g	7.48 in / 190 mm	5.19 in / 132 mm	15.98 in 406 mm	8.70 in / 221 mm	USP45 ELITE
1.72 lb / 780 g	5.83 in / 148 mm	4.46 in / 113 mm	15.98 in 406 mm	7.72 in / 196 mm	USP COMPACT TACTICAL
2.38 lb / 1080 g	8.50 in / 216 mm	6.02 in / 153 mm	15.98 in 406 mm	9.45 in / 240 mm	USP45 MATCH



HECKLER & KOCH
5675 Transport Boulevard
Columbus, Georgia 31907
United States of America
Tel: (706) 568-1906
Fax: (706) 568-9151
USA Website: www.hk-usa.com

HECKLER & KOCH
D-78722 Oberndorf/Neckar
Postfach 1329
Germany
Tel: 011-49-7423/79-0
Fax: 011-49-7423/2280
Global Website: www.heckler-koch.com