



Savage[®] Arms

The Definition of Accuracy

Safe ownership is your responsibility.
Please thoroughly read and understand this
manual before loading your firearm.

Keep firearms and ammunition away from
children. Lock unloaded firearms and
ammunition securely in separate locations.

100 Springdale Road
Westfield, MA 01085
www.savagearms.com

INSTRUCTION MANUAL

**BOLT ACTION CENTERFIRE:
RIFLES
SHOTGUNS
VARMINTERS
HUNTING HANDGUNS**

**IMPORTANT! DO NOT ATTEMPT TO LOAD AND SHOOT YOUR RIFLE UNTIL YOU HAVE THOROUGHLY
READ THIS INSTRUCTION MANUAL AND ARE FULLY FAMILIAR WITH ITS CONTENTS**

Congratulations on joining the **Savage Arms** family of sporting firearms owners. With reasonable care, your firearm should deliver years of reliable service and perform to our "legend of accuracy".

For your convenience, this INSTRUCTION MANUAL has been divided into 9 sections:

SECTION 1: 10 Commandments of Shooting Safety

SECTION 2: Basic Functions

SECTION 3: Bolt Action Rifles (Parts List and Diagram)

SECTION 4: Bolt Action Shotguns (Parts List and Diagram)

SECTION 5: Varminter (Parts List and Diagram)

SECTION 6: Hunting Handguns (Parts List and Diagram)

SECTION 7: Ammunition Bullet Weights / Magazine Capacities

SECTION 8: Rings And Bases For Mounting A Scope

SECTION 9: Statement Of Limited Warranty

SECTION 1

10 COMMANDMENTS OF SHOOTING SAFETY

(The following excerpts are from SAAMI bulletin #081 1MM 7/97 BP. The entire booklet can be obtained by calling: NATIONAL SHOOTING SPORTS FOUNDATION, 11 MILE HILL ROAD, NEWINGTON, CT 06470; 203-426-4358)

Firearms Safety Depends On You

From the time you pick up a firearm, you become part of a system over which you have complete control.

You are the only part of the system that can make a gun safe – or unsafe.

You can help meet this responsibility by enrolling in hunter safety or shooter safety courses, if you have not already done so. You must constantly stress safety when handling firearms, especially to children and non-shooters. Develop safe shooting habits and remember firearms safety is up to you. Make no mistake about it.

ALCOHOL, DRUGS AND GUNS DON'T MIX

1. ALWAYS KEEP THE MUZZLE POINTED IN A SAFE DIRECTION

This is the most basic safety rule. If everyone handled a firearm so carefully that the muzzle never pointed at something they didn't intend to shoot, there would be virtually no firearm accidents. It's as simple as that, and it's up to you.

Never point your gun at anything you do not intend to shoot. A safe direction means a direction in which a bullet cannot possibly strike anyone, taking into account possible ricochets and the fact that bullets can penetrate walls and ceilings. Even when "dry firing" with an unloaded gun, you should never point the gun at an unintended target.

This is your responsibility, and only you can control it.

2. FIREARMS SHOULD BE UNLOADED WHEN NOT ACTUALLY IN USE

Firearms should be loaded only when you are in the field or on the target range or shooting area, ready to shoot. When not in use, firearms and ammunition

should be secured in a safe place, separate from each other. It is your responsibility to prevent children and inexperienced adults from gaining access to firearms or ammunition. A loaded gun has no place in or near a vehicle or building.

Whenever you handle a firearm or hand it to someone, always open the action immediately, and visually check the chamber, receiver and magazine to be certain they do not contain any ammunition. Never assume a gun is unloaded – check for yourself! While in the field, there will be times when common sense and the basic rules of firearms safety will require you to unload your gun for maximum safety. When in doubt, unload your gun!

3. DON'T RELY ON YOUR GUN'S "SAFETY"

Treat every gun as though it can fire at any time, regardless of pressure on the trigger. The "safety" on any gun is a mechanical device, which, like any such device, can become inoperable at the worst possible time. The safety serves as a supplement to proper gun handling but cannot possibly serve as a substitute for common sense.

Never touch the trigger on a firearm until you actually intend to shoot.

Your firearm is a precision instrument. Regardless of the position of the safety, any bump strong enough to actuate the firing mechanism of a gun can cause it to fire. The only time you can be absolutely certain that a gun cannot fire is when the action is open and it is completely empty. You and the safe gun handling procedures you have learned are your gun's primary safeties.

4. BE SURE OF YOUR TARGET AND WHAT'S BEYOND IT

No one can call a bullet back. Don't shoot unless you know exactly what your bullet is going to strike. Be sure that your bullet will not injure anyone or anything beyond your target. You should keep in mind how far a bullet will travel if it misses your intended target or ricochets in another direction.

Be aware that even a .22 short bullet can travel over 1¼ miles and a high velocity cartridge, such as a 30-06, can project a bullet more than 3 miles. Shotgun pellets can travel 500 yards, and shotgun slugs have a range of over a half-mile.

5. USE CORRECT AMMUNITION

You must assume the serious responsibility of using only the correct ammunition for your firearm. Read and heed all warnings, including those that appear in the gun's instruction manual and on the ammunition boxes. Using improper or incorrect ammunition can destroy a gun and cause serious personal injury. It only takes one cartridge of improper caliber or gauge to wreck your gun, and only a second to check each one as you load it. Be absolutely certain that the ammunition you are using matches the specifications that are contained within the gun's instruction manual and the manufacturer's markings on the firearm barrel.

Hand loaded or reloaded ammunition deviating from pressures generated by factory loads or from competent recommendations specified in reputable hand loading manuals can be dangerous, and can cause severe damage to guns and serious injury to the shooter.

Ammunition that has become very wet or has been submerged in water should be discarded in a safe manner. Do not spray oil or solvents on ammunition or place ammunition in excessively lubricated firearms.

Form the habit of examining every cartridge you put in your gun. Never use damaged, old or questionable ammunition – the money you save is not worth the risk of possible injury or a ruined gun.

WARNING

DISCHARGING FIREARMS IN POORLY VENTILATED AREAS, CLEANING FIREARMS OR HANDLING AMMUNITION MAY RESULT IN EXPOSURE TO LEAD AND OTHER SUBSTANCES KNOWN TO CAUSE BIRTH DEFECTS, REPRODUCTIVE HARM AND OTHER SERIOUS PHYSICAL INJURY. HAVE ADEQUATE VENTILATION AT ALL TIMES. WASH HANDS THOROUGHLY AFTER EXPOSURE.

6. IF YOUR GUN FAILS TO FIRE WHEN THE TRIGGER IS PULLED, HANDLE WITH CARE!

Occasionally, a gun may not fire when the trigger is pulled. If this occurs, keep the muzzle pointed in a safe direction. Keep your face away from the breech. Then, carefully open the action, unload the firearm and dispose of the cartridge in a safe way.

Any time there is a cartridge in the chamber, your gun is loaded and ready to fire- even if you've tried to shoot and it did not go off. It could go off at any time, so you must always remember *RULE #1* and *WATCH THAT MUZZLE!*

7. ALWAYS WEAR EYE AND EAR PROTECTION WHEN SHOOTING

All shooters should wear protective shooting glasses and some form of hearing protectors while shooting. Exposure to shooting noise can damage hearing, and adequate vision protection is essential. Wearing eye protection when disassembling and cleaning any gun will also help prevent the possibility of springs, spring tensioned parts, solvents or other agents from contacting your eyes. No target shooter, plinker or hunter should ever be without them.

8. BE SURE THE BARREL IS CLEAR OF OBSTRUCTIONS BEFORE SHOOTING

Before you load your firearm, open the action and be certain that there is no cartridge in the chamber. Then glance through the barrel to be sure it is clear of any obstruction. Even a small bit of mud, snow, excess lubricating oil or grease in the bore can cause dangerously increased pressure, causing the barrel to bulge or even burst when firing, which can cause injury to the shooter and bystanders. Make it a habit to clear the bore with a cleaning rod and patch to wipe away anti-rust compounds in the gun each time immediately before you shoot it. If the noise or recoil on firing seems weak or doesn't seem quite "right", cease firing immediately and be sure to check that no obstruction or projectile has become lodged in the barrel.

9. DON'T ALTER OR MODIFY YOUR GUN, AND HAVE GUNS SERVICED REGULARLY

Firearms are complicated mechanisms, which are designed by experts to function properly in their original condition. Any alteration or change made to a firearm

SECTION 2

BASIC FUNCTIONS

PRIOR TO LOADING OR OPERATING, FAMILIARIZE YOURSELF THOROUGHLY WITH THESE OPERATING INSTRUCTIONS AND THE MAIN PARTS OF YOUR FIREARM.

FAILURE TO OBEY A SAFETY WARNING MAY RESULT IN INJURY TO YOU OR OTHERS.

KNOW HOW TO LOCATE AND OPERATE THE SAFETY MECHANISM.

SAFETY

The safety on your **Savage Arms** bolt action firearm has 3 positions:

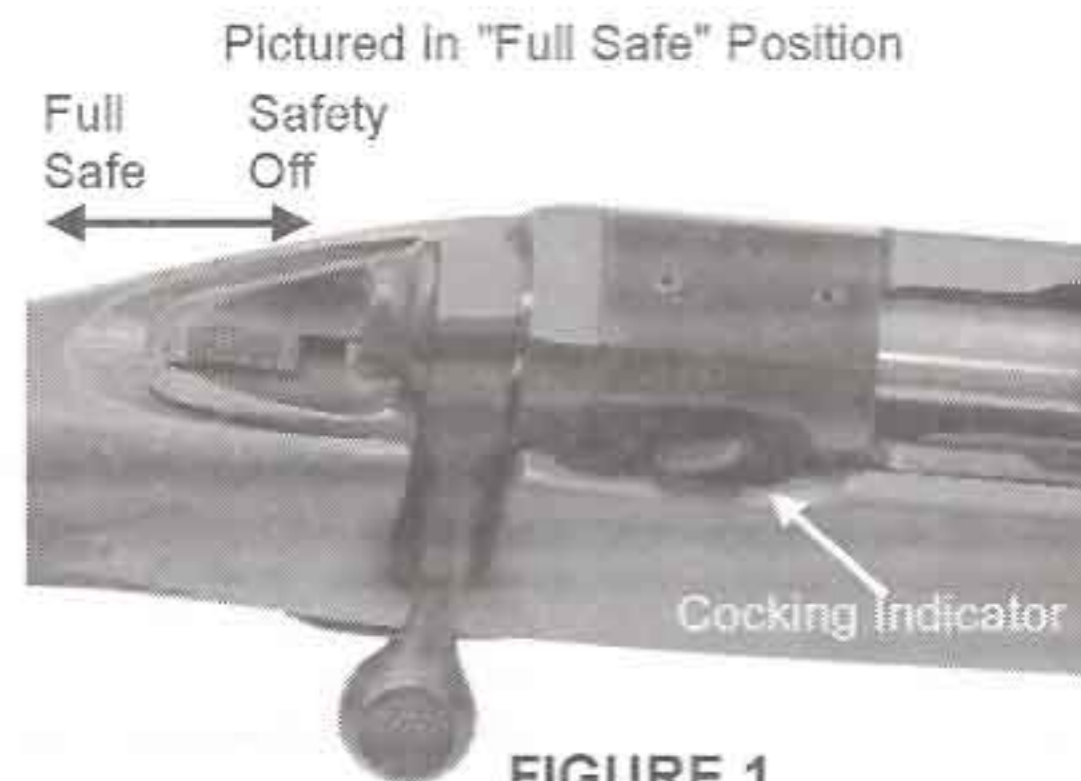
1. **FULL SAFE** - Pull safety button towards shooter (trigger blocked – bolt can not be opened).
2. **MID POSITION** (trigger blocked – bolt can be opened).
3. **SAFETY OFF [READY TO FIRE]** - Push safety button away from shooter.

FULL SAFE

A) The safety is in the *FULL SAFE* position when it has been moved fully rearward, covering the red "F" (See *FIGURE 1*).

B) The safety should be moved into the *FULL SAFE* position when the bolt has been closed and the firearm is ready to fire.

C) In the *FULL SAFE* position, the trigger is blocked from moving and the bolt on rifles and *HUNTING HANDGUNS* cannot be opened. On *SHOTGUNS*, however, the bolt can be opened in *FULL SAFE*.



CAUTION

WHEN CARRYING A LOADED FIREARM, THE SAFETY MUST ALWAYS BE IN THE FULL SAFE POSITION.

THE ONLY TIME YOU CAN BE ABSOLUTELY CERTAIN THAT A GUN CANNOT FIRE IS WHEN THE ACTION IS OPEN AND IT IS COMPLETELY EMPTY OF AMMUNITION.

MID POSITION

A) *MID POSITION* allows the bolt to be opened and cycled while still blocking the trigger.

after manufacture can make the gun dangerous and will usually void any factory warranties. Do not jeopardize your safety or the safety of others by altering the trigger, safety or other mechanism of any firearm or allowing unqualified person's to repair or modify a gun.

Your gun is a mechanical device, which will not last forever and is subject to wear. As such, it requires periodic inspection, adjustment and service.

10. LEARN THE MECHANISM AND HANDLING CHARACTERISTICS OF THE FIREARM YOU ARE USING

Not all firearms are the same. Consequently, never handle any firearm without first having thoroughly familiarized yourself with the particular type of firearm you are using, the safe gun handling rules for loading, unloading, carrying and handling that firearm, and the rules of safe gun handling in general. Locate the firearm's mechanical safety device and get familiar with the feel and "on/off" positions.

You should always read and refer to the instruction manual you received with your gun, or if you have misplaced the manual, simply contact the manufacturer for a free copy.

Having a gun in your possession is a full-time job. You cannot guess; you cannot forget. You must know how to use, handle and store your firearm safely. Do not use any firearm without having a complete understanding of its particular characteristics and safe use. There is no such thing as a foolproof gun.

B) The safety will move to the *MID POSITION* when the following sequence is performed (except *SHOTGUNS*):

- Lift the bolt handle
- Move the safety to the *FULL SAFE* position
- Push the bolt handle downward

SAFETY OFF [READY TO FIRE]

A) The safety is in the *OFF* position when moved fully forward, exposing the red "F".

CAUTION

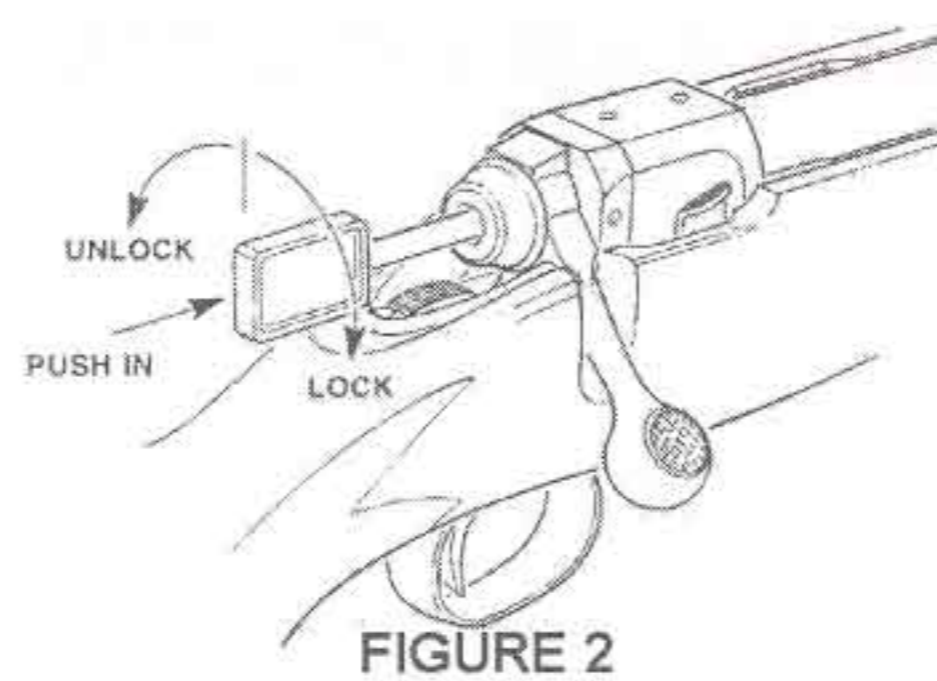
NEVER TRANSPORT/CARRY A LOADED FIREARM WITH THE SAFETY OFF.

SAVAGE BOLTLOC™ SYSTEM

THIS SECTION ONLY APPLIES TO FIREARMS EQUIPPED WITH THE SAVAGE ARMS BOLTLOC™ SYSTEM.

The SAVAGE BOLTLOC™ system was designed to deter a minor or unauthorized persons from opening the action of the firearm. When used as instructed (see FIGURE 2), the bolt handle will be restricted from opening, preventing the firearm from being loaded or fired.

THE SAVAGE BOLTLOC™ SERVES AS A SUPPLEMENT TO PROPER GUN SAFETY AND STORAGE BUT CANNOT POSSIBLY SERVE AS A SUBSTITUTE FOR COMMON SENSE



TO ACTIVATE

1. Place the safety in the SAFETY OFF [READY TO FIRE] position and open the bolt.
2. Inspect the chamber, internal magazine (or removable clip) to verify the firearm is UNLOADED.
3. Holding the trigger to the rear, close the bolt.
4. Insert the BOLTLOC™ key into the rear of the bolt assembly (see FIGURE 2).
5. Push BOLTLOC™ key in and turn clockwise 1/4 turn (see FIGURE 2).

TO DEACTIVATE

1. Insert the BOLTLOC™ into the rear of the bolt assembly.
2. Push BOLTLOC™ key in and turn counter-clockwise 1/4 turn (see FIGURE 2).

- You will feel the lock disengage rearward
- The firearm can now be functioned

LOADING

FIREARMS SHOULD BE LOADED ONLY WHEN YOU ARE IN THE FIELD, ON THE TARGET RANGE, OR AT A SHOOTING AREA READY TO SHOOT.

ALWAYS KEEP THE MUZZLE POINTED IN A SAFE DIRECTION.

USE ONLY THE CORRECT AMMUNITION THAT IS STAMPED ON THE SIDE OF THE BARREL.

THOROUGHLY CLEAN THE INSIDE OF THE BARREL AND CHAMBER TO ASSURE THERE ARE NO POSSIBLE OBSTRUCTIONS PRIOR TO LOADING.

REMOVABLE BOX MAGAZINE (CLIP)

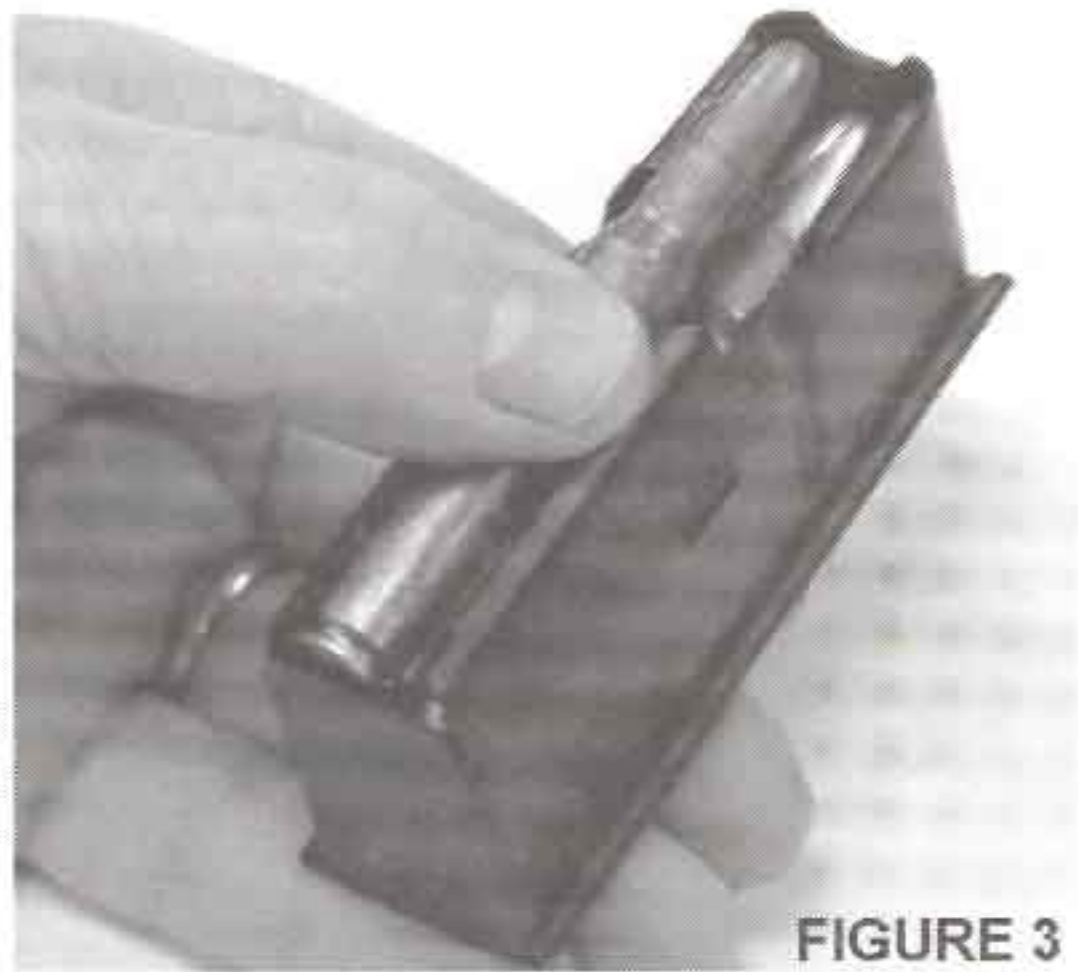


FIGURE 3

1. With the muzzle of the firearm pointed in a safe direction, move the safety forward to the SAFETY OFF [READY TO FIRE] position.
2. Lift the bolt handle but do not pull to the rear.
3. Move the safety fully rearward to the FULL SAFE position then push the bolt handle downward.
4. The safety will move to the HALF SAFE position automatically, allowing the action to be cycled while the trigger is still blocked.
5. With one hand prepared to catch the removable magazine, push the button on the right side of the stock.

6. As shown in FIGURE 3, load the correct caliber cartridges (see Section 7) into the removable magazine by pressing downward and to the rear.

7. Insert the removable magazine back into the stock opening, pressing upward until the latch is fully engaged.

ALWAYS KEEP THE MUZZLE POINTED IN A SAFE DIRECTION.

TOP LOADING (THROUGH THE EJECTION PORT)

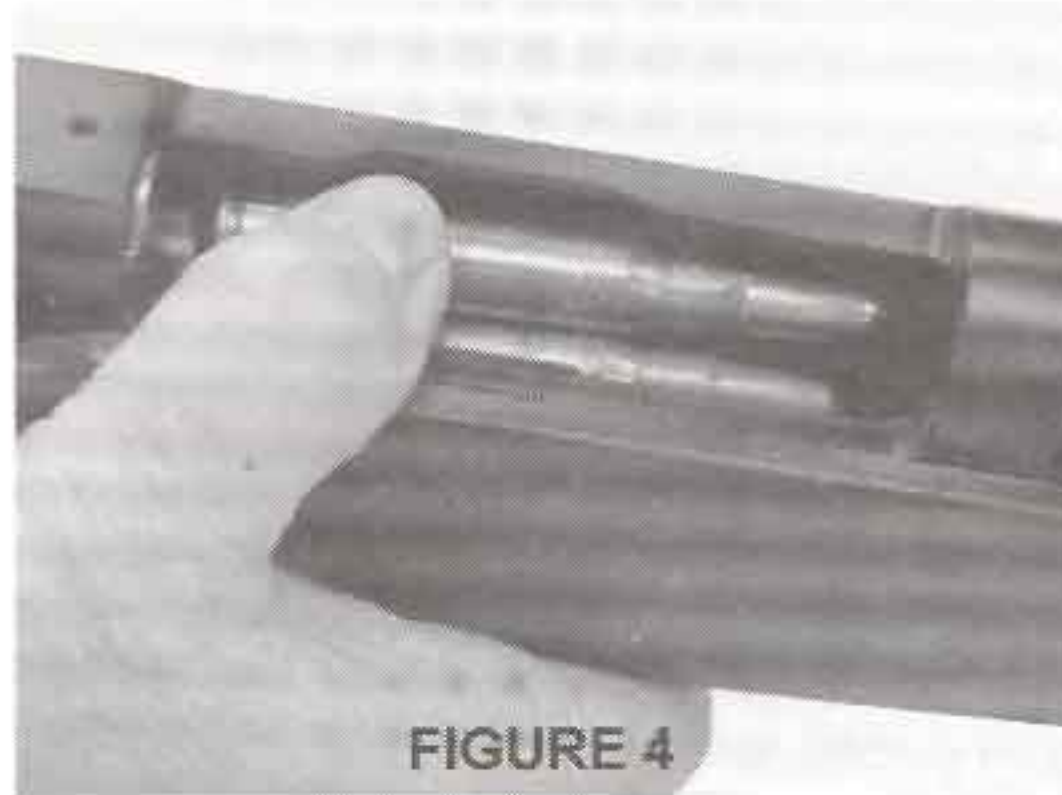


FIGURE 4

1. With the muzzle pointed in a safe direction, move the safety forward to the SAFETY OFF [READY TO FIRE] position.
2. Lift the bolt handle but do not pull to the rear.
3. Move the safety fully rearward to the FULL SAFE position.
4. Pull bolt handle rearward

- The safety will move to the HALF SAFE position automatically when the bolt is closed.

5. As shown in FIGURE 4, load the correct caliber cartridges (see Section 7) into the magazine by pressing downward and to the rear.

TO LOAD CHAMBER FROM MAGAZINE

1. Moving the bolt handle forward will push the first cartridge from the magazine into the chamber.
 - When the bolt is fully closed, a live cartridge will be IN THE CHAMBER.
 - Always keep the muzzle pointed in a safe direction.
2. Move the safety fully rearward to the FULL SAFE position, locking the bolt handle.

TO LOAD A SINGLE CARTRIDGE INTO THE CHAMBER

1. With the muzzle pointed in a safe direction, insert a cartridge into the chamber as shown in FIGURE 5.
2. Depressing the cartridges in the magazine with one hand, slowly push the bolt forward allowing it to slide over the top of the cartridges in the magazine.
3. Move the safety fully rearward to the FULL SAFE position, locking the bolt handle.

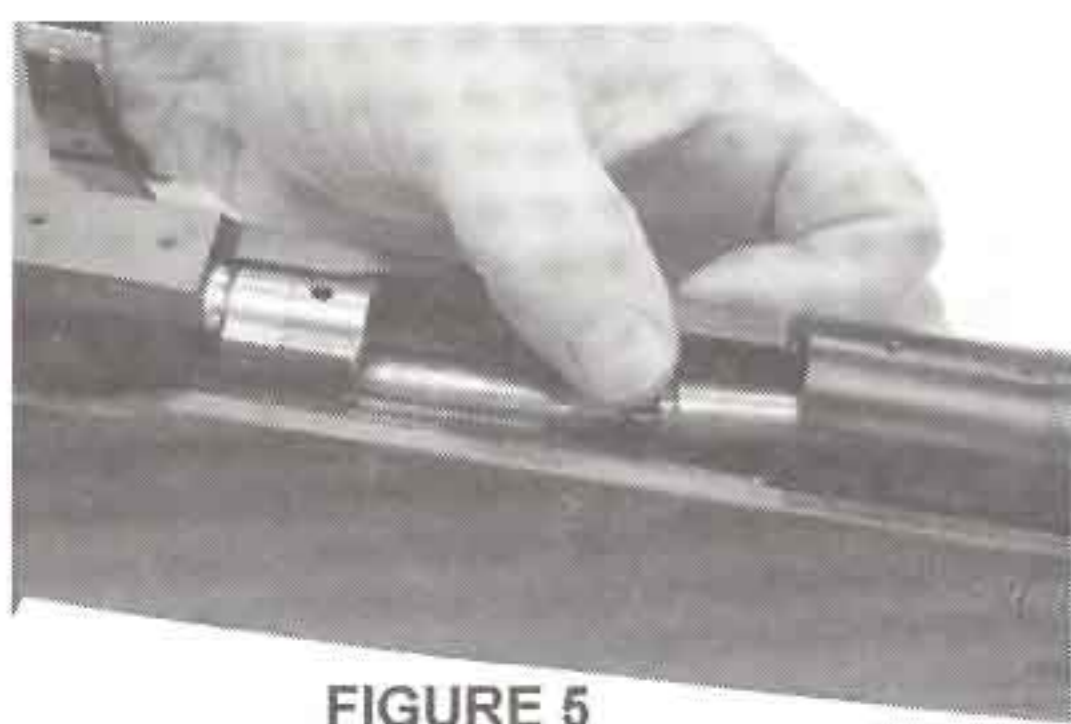


FIGURE 5

NEVER POINT YOUR GUN AT ANYTHING YOU DO NOT INTEND TO SHOOT.

4. Place your finger in the trigger guard and when you are on target, squeeze the trigger slowly.

NO ONE CAN CALL A BULLET BACK !!!

5. Pull up and fully rearward on the bolt handle to open the bolt to extract the fired case.

ALWAYS KEEP THE MUZZLE POINTED IN A SAFE DIRECTION.

6. Moving the bolt handle forward will push the next cartridge from the magazine into the chamber.

7. Move the safety fully rearward to the FULL SAFE position, locking the bolt handle.

UNLOADING YOUR RIFLE TOP LOADING (THROUGH THE EJECTION PORT)

1. With the muzzle pointed in a safe direction, move the safety forward to the SAFETY OFF [READY TO FIRE] position.

KEEP YOUR FINGERS AWAY FROM THE TRIGGER.

2. Lift the bolt handle but do not pull to the rear.

3. Move the safety fully rearward to the FULL SAFE position, and then push the bolt handle downward.

4. The safety will move to the HALF SAFE position automatically, allowing the action to be cycled while the trigger is still blocked.

5. Placing one hand over the ejection port, slowly pull the bolt handle to the rear to extract the cartridge from the chamber.

6. Remove the cartridge with your fingers.

7. Push the bolt fully forward until it engages the next cartridge behind the extractor (the bolt handle need not be pushed down).

8. Repeat steps 5 through 7 until the magazine is empty.

CAUTION

LOOK AND FEEL! BE SURE THE CHAMBER AND MAGAZINE ARE COMPLETELY EMPTY -- DO NOT ASSUME!

A LOADED GUN HAS NO PLACE IN OR NEAR A VEHICLE OR BUILDING.

UNLOADING YOUR RIFLE REMOVABLE BOX MAGAZINE (CLIP)

1. With the muzzle pointed in a safe direction, move the safety forward to the SAFETY OFF [READY TO FIRE] position.

KEEP YOUR FINGERS AWAY FROM THE TRIGGER.

2. Lift the bolt handle but do not pull to the rear.

3. Move the safety fully rearward to the full safe position, then push the bolt handle downward.

TO FIRE

DO NOT MOVE THE SAFETY FORWARD TO THE SAFETY OFF [READY TO FIRE] POSITION UNTIL YOU ARE READY TO SHOOT.

1. Keep your finger off the trigger and out of the trigger guard until you are ready to shoot.

THE ONLY TIME YOU CAN BE ABSOLUTELY CERTAIN THAT A GUN CANNOT FIRE IS WHEN THE ACTION IS OPEN AND IT IS COMPLETELY EMPTY OF AMMUNITION.

2. Always look carefully around to be sure that no one will cross in front of you when you are ready to shoot.

3. Place the firearm in shooting position and move the safety forward to the SAFETY OFF [READY TO FIRE] position and take aim.

NEVER TOUCH THE TRIGGER ON A FIREARM UNTIL YOU ACTUALLY INTEND TO SHOOT.

4. The safety will move to the half safe position automatically, allowing the action to be cycled while the trigger is still blocked.

5. Placing one hand under the removable magazine, press the release button on the side of the stock - ejecting the magazine into your hand.

COMPLETE STEPS 6 AND 7 IN THEIR ENTIRETY!!!!
ALTHOUGH THE MAGAZINE (CLIP) HAS BEEN REMOVED, THERE STILL MAY BE A LIVE CARTRIDGE IN THE CHAMBER!!!

6. Placing one hand over the ejection port, slowly pull the bolt handle to the rear to extract the cartridge from the chamber.

7. Remove the cartridge with your fingers.

CAUTION

LOOK AND FEEL! BE SURE THE CHAMBER IS EMPTY -- DO NOT ASSUME!

MUZZLE BRAKES

THIS SECTION ONLY APPLIES TO FIREARMS EQUIPPED WITH THE SAVAGE ARMS ADJUSTABLE MUZZLE BRAKE.

NEVER ADJUST THE MUZZLE BRAKE IF THE FIREARM IS LOADED.

ALWAYS WEAR EAR AND EYE PROTECTION.

WHEN SHOOTING WITH THE MUZZLE BRAKE OPEN, BE SURE THE MUZZLE IS IN A CLEAR AREA; FREE OF DEBRIS AND OTHER SHOOTERS.

TO OPEN (reduce recoil)

BE SURE THE BOLT IS OPEN AND THERE IS NO LIVE AMMUNITION IN EITHER THE CHAMBER OR MAGAZINE.

1. Hold the firearm in your right hand with the muzzle pointed in a safe direction.
2. Grasp the muzzle brake with your left hand and twist it (less than 1/4 turn) counterclockwise (you will hear a distinct "click").
3. To be sure the BRAKE is open, the holes should be perfectly lined up; allowing you to see through them.

TO CLOSE (full recoil)

BE SURE THE BOLT IS OPEN AND THERE IS NO LIVE AMMUNITION IN EITHER THE CHAMBER OR MAGAZINE.

1. Hold the firearm in your right hand with the muzzle pointed in a safe direction.
 2. Grasp the muzzle brake with your left hand and twist it (less than 1/4 turn) clockwise (you will hear a distinct "click").
 3. To be sure the BRAKE is closed, the holes will not be lined up; you will not be able to see through them.
-

TO CLEAN THE MUZZLE BRAKE

BE SURE THE BOLT IS OPEN AND THERE IS NO LIVE AMMUNITION IN EITHER THE CHAMBER OR MAGAZINE.

1. After each use, position the BRAKE in the closed position.
2. Liberally apply 'KLEEN BORE TW25B' (or an equivalent solvent that does not contain oil).
3. Open and close the BRAKE, working the solvent into the mechanism to flush out any residue and prevent carbon build-up.

APPLYING OIL TO THE ADJUSTABLE MUZZLE BRAKE WILL INCREASE CARBON BUILD-UP AND MAY CAUSE THE BRAKE TO MALFUNCTION.

CLEANING AND CARE OF YOUR FIREARM

YOUR GUN IS A MECHANICAL DEVICE THAT WILL NOT LAST FOREVER AND IS SUBJECT TO WEAR.

TO REMOVE THE BOLT

ALWAYS KEEP THE MUZZLE POINTED IN A SAFE DIRECTION.

A LOADED GUN HAS NO PLACE IN OR NEAR A VEHICLE OR BUILDING.

1. Lift the bolt handle and pull fully rearward.

2. When the bolt is opened, look and feel to be sure there are no cartridges in either the chamber or magazine.
3. Pull back on the trigger while pressing down on the COCKING INDICATOR
4. Slide the bolt out of the rear of the receiver.
5. Care should be taken not to hit the stock with the bolt.

CAUTION

BOLT ASSEMBLIES ARE SPECIFICALLY MATCHED TO A FIREARM. USING ANY OTHER BOLT ASSEMBLY MAY CAUSE EXTENSIVE DAMAGE TO THE FIREARM AND/OR SERIOUS INJURY TO THE SHOOTER OR BYSTANDER.

DISASSEMBLE ONLY ONE FIREARM AT A TIME TO AVOID INTERCHANGING COMPONENTS.

CLEANING THE BORE

LOOK AND FEEL! BE SURE THE CHAMBER AND MAGAZINE ARE COMPLETELY EMPTY -- DO NOT ASSUME!!!

NEVER ATTEMPT TO DISASSEMBLE, CLEAN, OR OIL A LOADED FIREARM!

BE SURE TO READ AND UNDERSTAND ALL OF THE CAUTIONS AND WARNINGS ON ALL SOLVENTS AND CHEMICALS PRIOR TO USE. FOLLOW THE MANUFACTURER'S INSTRUCTIONS FOR BEST CLEANING RESULTS

1. Prepare an area for cleaning the firearm with a suitable surface, adequate ventilation, correct caliber cleaning rod, brush, patches, powder solvent, and oil.
2. Remove the bolt.
3. Lay the firearm horizontally with the ejection port facing down.

ALWAYS STARTING FROM THE CHAMBER END, PUSH THE CLEANING ROD THROUGH THE BORE AND OUT THE MUZZLE END.

4. Using a small amount of powder solvent on the brush, push the cleaning rod through the barrel several times.
5. Unscrew the brush from the cleaning rod and replace it with a patch tip.
6. Push a new patch through the bore starting from the chamber end and out the muzzle.
7. Repeat step 6 several times.
8. Push a new patch saturated with gun oil through the bore.
9. Push a new dry patch through the bore to remove the excess oil.

A VERY THIN FILM OF OIL IS SUFFICIENT PROTECTION – DO NOT OVER OIL!!!

YOUR GUN IS A MECHANICAL DEVICE THAT WILL NOT LAST FOREVER AND IS SUBJECT TO WEAR. CONTACT SAVAGE ARMS SERVICE DEPARTMENT FOR PERIODIC INSPECTION, ADJUSTMENT AND SERVICE.

PROTECTING METAL SURFACES

1. In order to be able to reach all surfaces, remove the bolt prior to cleaning and oiling.
2. With a soft cloth, remove any foreign material (mud, twigs, grass).
3. Apply a thin coat of gun oil on all cleaned surfaces. Rubbing may be necessary to remove signs of rust.
4. Where accessible, clean and lightly oil internal metal surfaces.

DO NOT DISASSEMBLE THE BOLT ASSEMBLY

SECTION 3

BOLT ACTION RIFLES

PARTS MAY BE ORDERED DIRECTLY FROM **SAVAGE ARMS** [413-568-7001] BETWEEN THE HOURS OF 9:00 AND 3:30 (EASTERN STANDARD TIME). THERE IS A MINIMUM ORDER AND PLEASE ALLOW 2 WEEKS FOR DELIVERY.

PLEASE BE ADVISED THAT SOME PARTS MAY REQUIRE FITTING. **SAVAGE ARMS** BEARS NO RESPONSIBILITY FOR THE FUNCTION OR PERFORMANCE OF ANY FIREARM THAT HAS BEEN REPAIRED OR MODIFIED BY OTHER THAN **SAVAGE ARMS** SERVICE DEPARTMENT. AS SUCH, **SAVAGE ARMS** ACCEPTS NO RESPONSIBILITY/LIABILITY FOR ANY DIRECT AND/OR CONSEQUENTIAL DAMAGE AND/OR INJURY RESULTING FROM THE USE OF A FIREARM REPAIRED OR MODIFIED BY OTHER THAN THE **SAVAGE ARMS** SERVICE DEPARTMENT.

* RESTRICTED TO FACTORY INSTALLATION ONLY

** CAN ONLY BE SOLD TO AN INDIVIDUAL POSSESSING A CURRENT FEDERAL FIREARMS LICENSE.

MODEL 110

Item # Description

**1 Safety assembly

- **1A 8-32 x 1/4" socket screw
- **1B Safety detent spring
- **1C 5-40 x 3/16" pan head screw
- **1D Safety

**2 Trigger bracket Kit

- **2A Safety retaining ring
- **2B Trigger pull adjusting screw
- **2C Trigger pin
- **2D Safety bearing pin
- **2E Trigger pull adjusting spring
- **2F Trigger bracket

**3 Trigger assembly

- **3A 8-32 x 3/8" socket screw
- **3B Trigger
- *1A 8-32 x 1/4" socket screw

**4 Sear Kit

- **4A Sear pin
- **4B Sear spring
- **4C Sear

- 5 Magazine box
- 6 Magazine follower assy with coiled spring
- 7 Magazine follower assy with leaf spring
- 8 Rear action screw (Clip)
- 9 Front action screw (Clip)
- 10 Magazine box assembly (Clip)

**11 Firing pin assembly

- **11B Cocking piece
- **11C Cocking piece lock washer
- **11D Mainspring
- **11E Firing pin stop nut washer
- **11F Firing pin stop nut
- **11G Firing pin

**12 Bolt assembly

- 12A Cocking piece pin
- 12B Rear baffle assembly
- 12C Bolt handle
- 12D Cocking piece sleeve
- 12E Boltloc assembly screw
- 12F Boltloc key
- 12G Bolt body
- 12H Bolt head retaining pin
- 12I Front baffle washer
- 12J Front baffle
- **12K Bolt head

- 12L Extractor
- 12M Extractor spring
- 12N 1/8" steel ball
- 12O Ejector
- 12P Ejector spring
- 12Q Ejector retaining pin
- **12R Bolt head (CRF)
- 12S Bolt assembly screw
- **11 Firing Pin Assy

- 13 Floor plate

14 Magazine guide assembly

- 14A Magazine latch pin
- 14B Magazine latch
- 14C Magazine latch spring
- 15 Magazine latch button

16 Rear sight Kit

- 16A Rear sight screw
- 16B Rear sight assembly

17 Front sight Kit

- 17A Front sight screw
- 17B Front sight blade
- 17C Front sight base

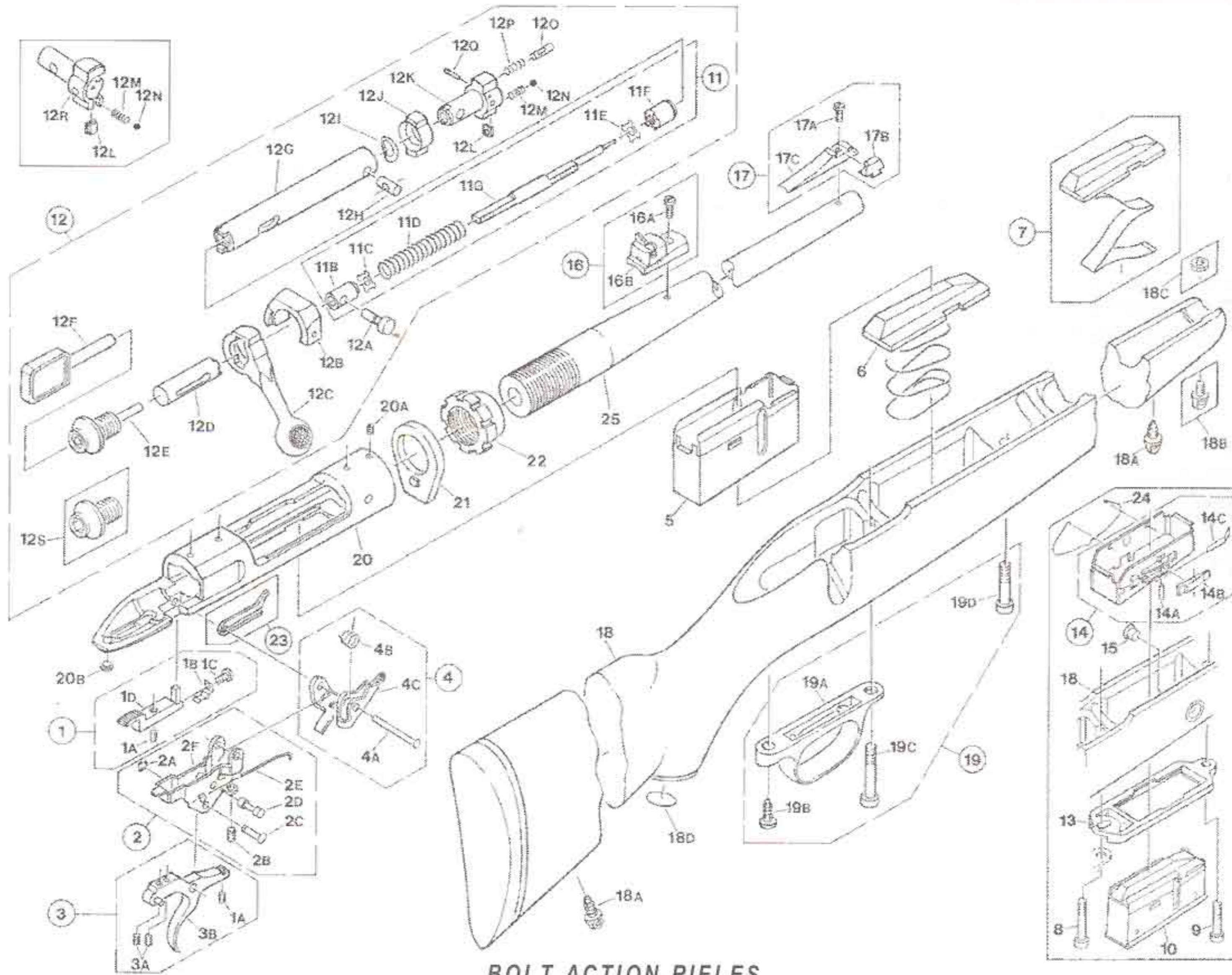
18 Stock assembly

- 18A Swivel stud
- 18B Swivel stud (machine screw thread)
- 18C 10-32 lock nut
- 18D Medallion

19 Trigger guard Kit

- 19A Trigger guard
- 19B Rear trigger guard screw
- 19C Rear action screw
- 19D Front action screw

- *20 Receiver
- 20A 6-48 dummy screw
- 20B Safety insert
- *21 Recoil lug
- *22 Barrel lock nut
- 23 Ejector (CRF)
- 24 Magazine ejector spring
- *25 Barrel



BOLT ACTION RIFLES

SECTION 4

BOLT ACTION SHOTGUNS

PARTS MAY BE ORDERED DIRECTLY FROM **SAVAGE ARMS** [413-568-7001] BETWEEN THE HOURS OF 9:00 AND 3:30 (EASTERN STANDARD TIME). THERE IS A MINIMUM ORDER AND PLEASE ALLOW 2 WEEKS FOR DELIVERY.

PLEASE BE ADVISED THAT SOME PARTS MAY REQUIRE FITTING. **SAVAGE ARMS** BEARS NO RESPONSIBILITY FOR THE FUNCTION OR PERFORMANCE OF ANY FIREARM THAT HAS BEEN REPAIRED OR MODIFIED BY OTHER THAN **SAVAGE ARMS** SERVICE DEPARTMENT. AS SUCH, **SAVAGE ARMS** ACCEPTS NO RESPONSIBILITY/LIABILITY FOR ANY DIRECT AND/OR CONSEQUENTIAL DAMAGE AND/OR INJURY RESULTING FROM THE USE OF A FIREARM REPAIRED OR MODIFIED BY OTHER THAN THE **SAVAGE ARMS** SERVICE DEPARTMENT.

FOR PROPER EJECTION OF THE SHELL, SAVAGE RECOMMENDS THE USE OF "HIGH" STEEL RINGS WITH A MINIMUM CLEARANCE OF APPROXIMATELY 1-3/8" SUCH AS:

B-SQUARE
PART NO. 10042 INTERLOCK

WEAVER
PART NO. 490044 XTRA HIGH

INFORMATION IS BASED ON OUR EXPERIENCE AND IS NOT AN ENDORSEMENT OF ANY PRODUCT AND/OR MANUFACTURER.

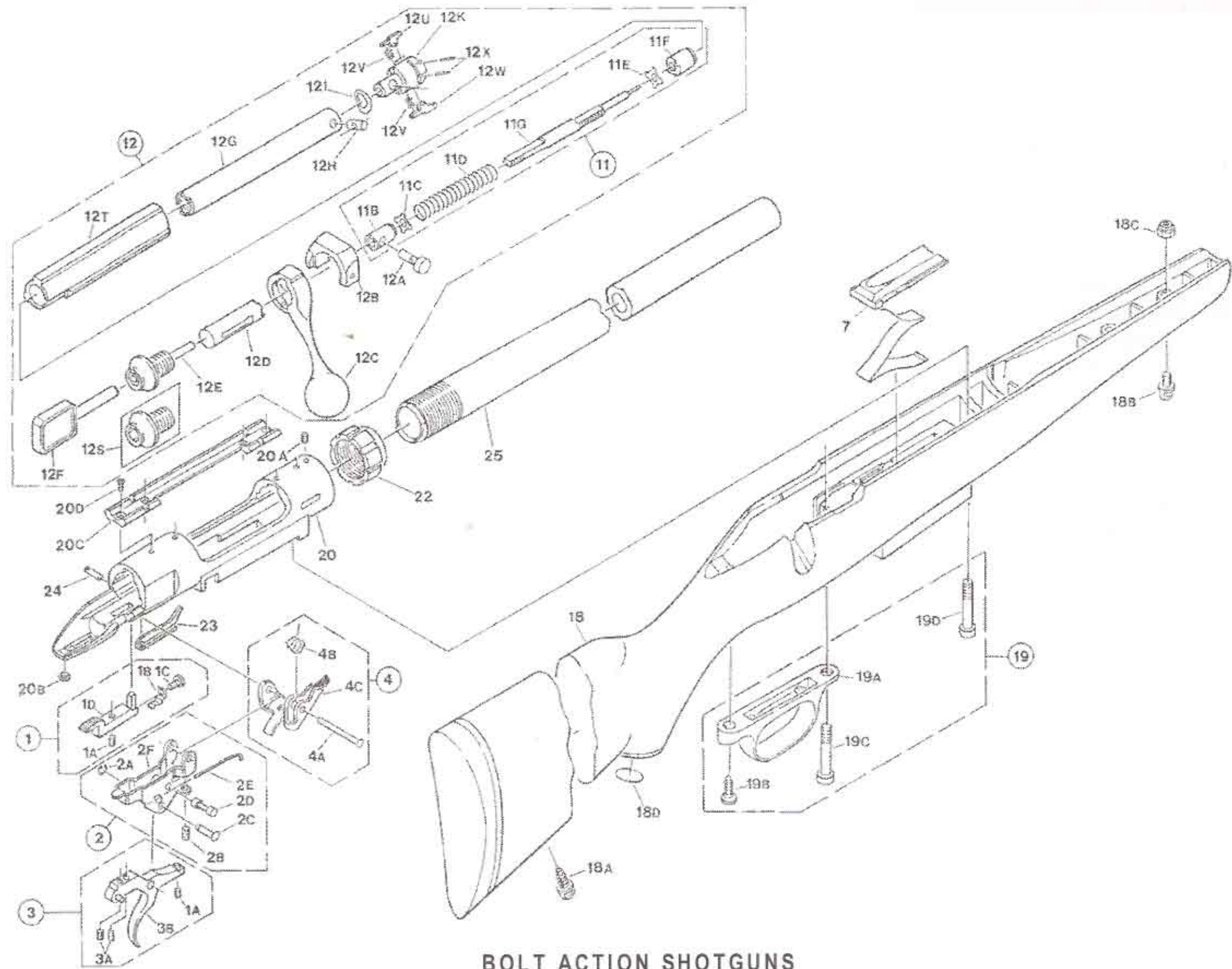
MODEL 210

Item #	Description
**1	Safety assembly
**1A	8-32 x 1/4" socket screw
**1B	Safety detent spring
**1C	5-40 x 3/16" pan head screw
**1D	Safety
**2	Trigger bracket Kit
**2A	Safety retaining ring
**2B	Trigger pull adjusting screw
**2C	Trigger pin
**2D	Safety bearing pin
**2E	Trigger pull adjusting spring
**2F	Trigger bracket
**3	Trigger assembly
**3A	8-32 x 3/8" socket screw
**3B	Trigger
**1A	8-32 x 1/4" socket screw
**4	Sear Kit
**4A	Sear pin
**4B	Sear spring
**4C	Sear
7	Magazine follower assy with leaf spring
**11	Firing pin assembly
**11B	Cocking piece
**11C	Cocking piece lock washer
**11D	Mainspring
**11E	Firing pin stop nut washer
**11F	Firing pin stop nut
**11G	Firing pin

* RESTRICTED TO FACTORY INSTALLATION ONLY

** CAN ONLY BE SOLD TO AN INDIVIDUAL POSSESSING A CURRENT FEDERAL FIREARMS LICENSE

**12	Bolt assembly
12A	Cocking piece pin
12B	Rear baffle assembly
12C	Bolt handle
12D	Cocking piece sleeve
12E	Boltloc assembly screw
12F	Boltloc key
12G	Bolt body
12H	Bolt head retaining pin
12I	Front baffle washer
**12K	Bolt head
12S	Bolt assembly screw
12T	Bolt sleeve
12U	LH extractor
12V	Extractor spring
12W	RH extractor
12X	Ejector retaining pin
**11	Firing pin Assy
18	Stock assembly
18A	Swivel stud
18B	Swivel stud (machine screw thread)
18C	10-32 lock nut
18D	Medallion
19	Trigger guard Kit
19A	Trigger guard
19B	Rear trigger guard screw
19C	Rear action screw
19D	Front action screw
*20	Receiver
20A	6-48 dummy screw
20B	Safety insert
20C	One piece scope base
20D	Scope base screw
*22	Barrel lock nut
23	Ejector (458)
24	Ejector pin
*25	Barrel



BOLT ACTION SHOTGUNS

SECTION 5**VARMINTER**

PARTS MAY BE ORDERED DIRECTLY FROM **SAVAGE ARMS** [413-568-7001] BETWEEN THE HOURS OF 9:00 AND 3:30 (EASTERN STANDARD TIME). THERE IS A MINIMUM ORDER AND PLEASE ALLOW 2 WEEKS FOR DELIVERY.

PLEASE BE ADVISED THAT SOME PARTS MAY REQUIRE FITTING. **SAVAGE ARMS** BEARS NO RESPONSIBILITY FOR THE FUNCTION OR PERFORMANCE OF ANY FIREARM THAT HAS BEEN REPAIRED OR MODIFIED BY OTHER THAN **SAVAGE ARMS** SERVICE DEPARTMENT. AS SUCH, **SAVAGE ARMS** ACCEPTS NO RESPONSIBILITY/LIABILITY FOR ANY DIRECT AND/OR CONSEQUENTIAL DAMAGE AND/OR INJURY RESULTING FROM THE USE OF A FIREARM REPAIRED OR MODIFIED BY OTHER THAN THE **SAVAGE ARMS** SERVICE DEPARTMENT.

CAUTION

SAVAGE ARMS OFFERS CERTAIN MODEL FIREARMS (SUCH AS THE VARMINTER) WITH A SPECIALLY DESIGNED 'LIGHT PULL' TRIGGER. SUCH FIREARMS ARE CONSIDERED TARGET FIREARMS AND ARE EXEMPT FROM SAAMI/ANSI INDUSTRY DROP TEST REQUIREMENTS FOR INADVERTENT DISCHARGE. IT IS THE SOLE RESPONSIBILITY OF THE SHOOTER TO EXERCISE EXTREME CARE WHILE HANDLING THESE FIREARMS TO PREVENT INADVERTENT DISCHARGE. SAVAGE ARMS ACCEPTS NO

RESPONSIBILITY/ LIABILITY FOR ANY DIRECT AND/OR CONSEQUENTIAL DAMAGE AND/OR INJURY RESULTING FROM THE MISUSE AND/OR MISHANDLING OF THESE SPECIFICALLY EQUIPPED FIREARMS.

* RESTRICTED TO FACTORY INSTALLATION ONLY

** CAN ONLY BE SOLD TO AN INDIVIDUAL POSSESSING A CURRENT FEDERAL FIREARMS LICENSE.

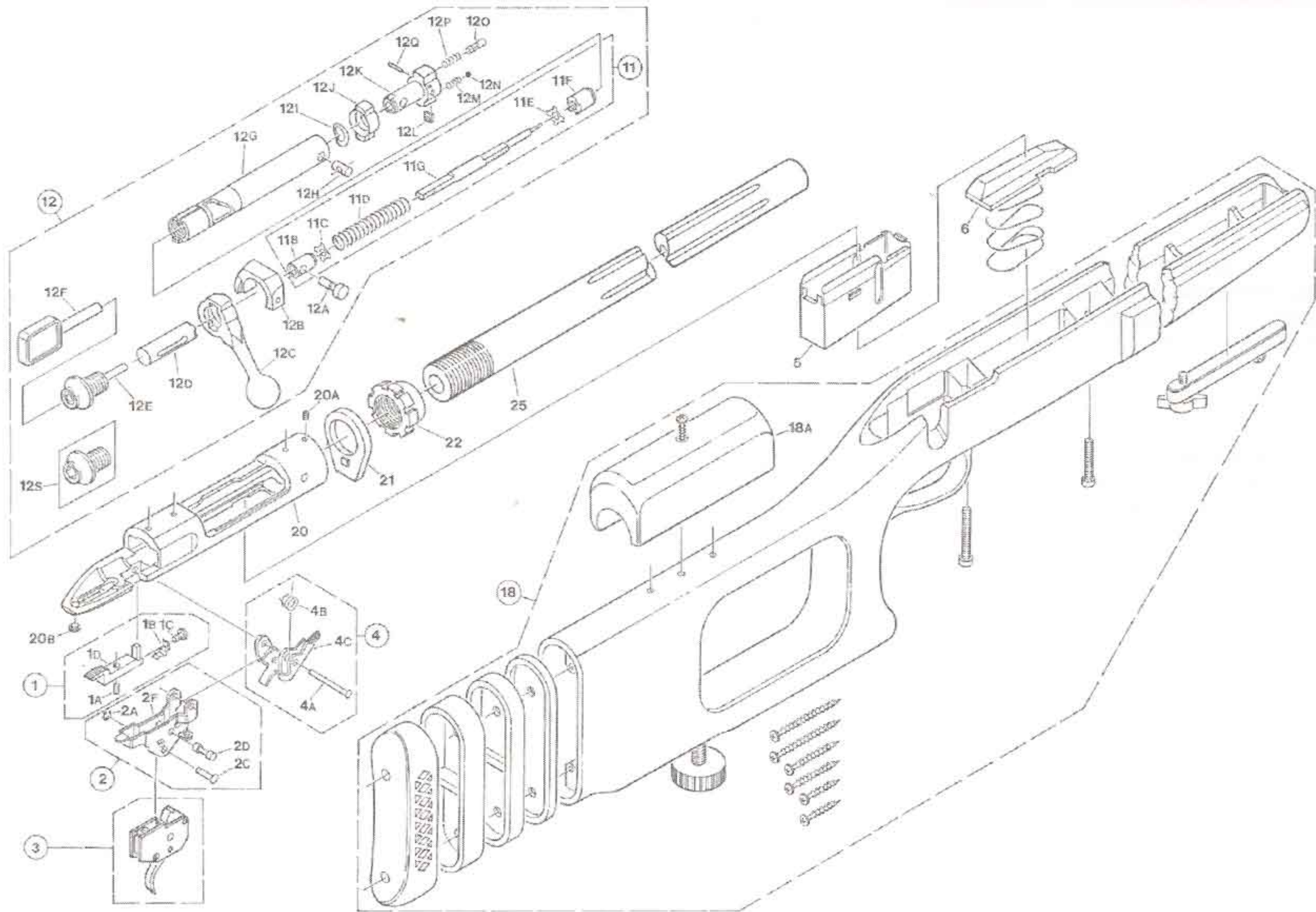
MODEL 12VSS

Item #	Description
**1	Safety assembly
**1A	8-32 x 1/4" socket screw
**1B	Safety detent spring
**1C	5-40 x 3/16" pan head screw
**1D	Safety
**2	Trigger bracket Kit
**2A	Safety retaining ring
**2C	Trigger pin
**2D	Safety bearing pin
**2F	Trigger bracket
3	Sharp shooter trigger assembly
**4	Sear Kit
**4A	Sear pin
**4B	Sear spring
**4C	Sear
5	Magazine box
6	Magazine follower assy with coiled spring

**11	Firing pin assembly
**11B	Cocking piece
**11C	Cocking piece lock washer
**11D	Mainspring
**11E	Firing pin stop nut washer
**11F	Firing pin stop nut
**11G	Firing pin

**12	Bolt assembly
12A	Cocking piece pin
12B	Rear baffle assembly
12C	Bolt handle
12D	Cocking piece sleeve
12E	Boltloc assembly screw
12F	Boltloc key
12G	Bolt body
12H	Bolt head retaining pin
12I	Front baffle washer
12J	Front baffle
**12K	Bolt head
12L	Extractor
12M	Extractor spring
12N	1/8" steel ball
12O	Ejector
12P	Ejector spring
12Q	Ejector retaining pin
12S	Bolt Assy Screw
**11	Firing pin Assy

18	Stock assembly
18A	Cheek piece
*20	Receiver
20A	6-48 dummy screw
20B	Safety insert
*21	Recoil lug
*22	Barrel lock nut
*25	Barrel



VARMINTER

SECTION 6

HUNTING HANDGUN

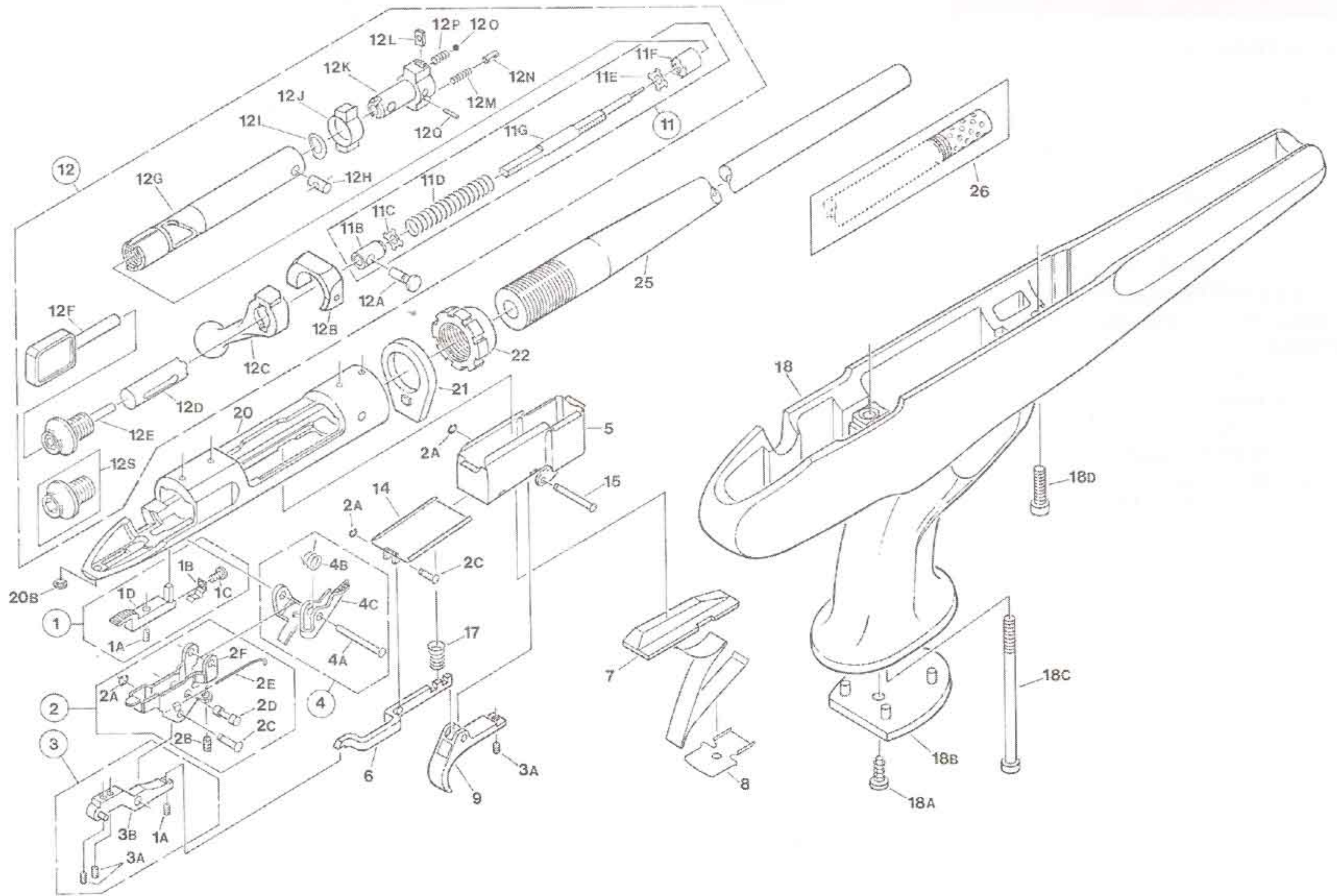
PARTS MAY BE ORDERED DIRECTLY FROM **SAVAGE ARMS** [413-568-7001] BETWEEN THE HOURS OF 9:00 AND 3:30 (EASTERN STANDARD TIME). THERE IS A MINIMUM ORDER AND PLEASE ALLOW 2 WEEKS FOR DELIVERY.

PLEASE BE ADVISED THAT SOME PARTS MAY REQUIRE FITTING. **SAVAGE ARMS** BEARS NO RESPONSIBILITY FOR THE FUNCTION OR PERFORMANCE OF ANY FIREARM THAT HAS BEEN REPAIRED OR MODIFIED BY OTHER THAN **SAVAGE ARMS** SERVICE DEPARTMENT. AS SUCH, **SAVAGE ARMS** ACCEPTS NO RESPONSIBILITY/LIABILITY FOR ANY DIRECT AND/OR CONSEQUENTIAL DAMAGE AND/OR INJURY RESULTING FROM THE USE OF A FIREARM REPAIRED OR MODIFIED BY OTHER THAN THE **SAVAGE ARMS** SERVICE DEPARTMENT.

* RESTRICTED TO FACTORY INSTALLATION ONLY

** CAN ONLY BE SOLD TO AN INDIVIDUAL POSSESSING A CURRENT FEDERAL FIREARMS LICENSE.

Item #	Description	MODEL 510	**12	Bolt assembly
**1	Safety assembly		12A	Cocking piece pin
**1A	8-32 x 1/4" socket screw		12B	Rear baffle assembly
**1B	Safety detent spring		12C	Bolt handle
**1C	5-40 x 3/16" pan head screw		12D	Cocking piece sleeve
**1D	Safety		12E	Boltloc assembly screw
			12F	Boltloc key
**2	Trigger bracket Kit		12G	Bolt body
**2A	Safety retaining ring		12H	Bolt head retaining pin
**2B	Trigger pull adjusting screw		12I	Front baffle washer
**2C	Trigger pin		12J	Front baffle
**2D	Safety bearing pin		**12K	Bolt head
**2E	Trigger pull adjusting spring		12L	Extractor
**2F	Trigger bracket		12M	Ejector spring
			12N	Ejector
**3	Rear trigger assembly		12O	1/8" steel ball
**3A	8-32 x 3/8" socket screw		12P	Extractor spring
**3B	Rear trigger		12Q	Ejector retaining pin
**1A	8-32 x 1/4" socket screw		12S	Bolt assembly screw
			**11	Firing pin Assy
**4	Sear Kit		14	Magazine bottom
**4A	Sear pin		15	Front trigger pin
**4B	Sear spring		17	Trigger return spring
**4C	Sear		18	Stock assembly
5	Magazine box		18A	#10 screw
6	Trigger bar		18B	Grip cap
7	Magazine follower assy with leaf spring		18C	Rear action screw
8	Magazine insert		18D	Front action screw
9	Front trigger		*20	Receiver
**11	Firing pin assembly		20B	Safety insert
**11B	Cocking piece		*21	Recoil lug
**11C	Cocking piece lock washer		*22	Barrel lock nut
**11D	Mainspring		*25	Barrel
**11E	Firing pin stop nut washer		**26	Adjustable muzzle brake
**11F	Firing pin stop nut			
**11G	Firing pin			



HUNTING HANDGUN

SECTION 7

AMMUNITION BULLET WEIGHTS AND MAGAZINE CAPACITIES

THE FOLLOWING TABLE LISTS THE BULLET WEIGHTS USED FOR 100 YARD TARGETING EVALUATION AT **SAVAGE ARMS**.

PERFORMANCE MAY VARY BASED ON BRAND/TYPE OF AMMUNITION, INDIVIDUAL CHARACTERISTICS OF THE FIREARM, SHOOTER AND/OR SHOOTING CONDITIONS.

WARNING:

USE ONLY THE CORRECT AMMUNITION THAT IS STAMPED ON THE SIDE OF THE BARREL

Caliber	Bullet Weight (Grains)
220 Swift	52 grain - Sierra Match King HPBT
223 Remington	69 grain - Sierra Match King HPBT
22-250 Remington	40 grain - Sierra Varminter Hollow Point
243 Winchester	95 grain - Nosler Ballistic Tip
25-06 Remington	90 grain - Sierra Game King HPBT
260 Remington	120 grain - Nosler Ballistic Tip
270 Winchester	130 grain - Nosler Ballistic Tip
7mm-08 Remington	140 grain - Nosler Ballistic Tip
7mm Remington Magnum	150 grain - Nosler Ballistic Tip
7mm Remington Ultra Magnum	140 grain - Nosler Partition
7mm STW	140 grain - Swift A-Frame
7 x 64mm BR	177 grain - Torpedo
7.82 Patriot Lazzeroni	180 grain - Nosler Partition (Moly Coated)
300 Winchester Magnum	180 grain - Nosler Ballistic Tip
300 Remington Ultra Magnum	180 grain - Nosler Partition
300 Winchester Short Magnum	150 grain - Nosler Ballistic Silvertip
308 Winchester	168 grain - Sierra Match King HPBT
30-06 Springfield	168 grain - Sierra Match King HPBT
338 Winchester Magnum	210 grain - Nosler Partition
375 H & H	300 grain - PSP Swift A-Frame
458 Winchester Magnum	510 grain - Soft Point
12 Gauge	1 ounce Sabot Slug - 3 inch

Caliber	Magazine Capacity
220 Swift	Single Shot only
223 Remington (rifle): Striker BT'	4 - 1 in the chamber 2 - 1 in the chamber 5 - 1 in the chamber
22-250 Remington (rifle): Striker	4 - 1 in the chamber 2 - 1 in the chamber
243 Winchester (rifle): Striker	4 - 1 in the chamber 2 - 1 in the chamber
25-06 Remington	4 - 1 in the chamber
260 Remington (rifle) Striker	4 - 1 in the chamber 2 - 1 in the chamber
270 Winchester	4 - 1 in the chamber
7mm-08 Remington (rifle): Striker	4 - 1 in the chamber 2 - 1 in the chamber
7mm Remington Magnum	4 - 1 in the chamber
7mm Remington Ultra Magnum	2 - 1 in the chamber
7mm STW	3 - 1 in the chamber
7 x 64mm BR	4 - 1 in the chamber
7.82 Patriot Lazzeroni	2 - 1 in the chamber
300 Winchester Magnum	3 - 1 in the chamber
300 Remington Ultra Magnum	2 - 1 in the chamber
300 Winchester Short Magnum (rifle) Striker	3 - 1 in the chamber 2 - 1 in the chamber
308 Winchester (rifle): Striker BT'	4 - 1 in the chamber 2 - 1 in the chamber 5 - 1 in the chamber
30-06 Springfield	4 - 1 in the chamber
338 Winchester Magnum	3 - 1 in the chamber
375 H & H	3 - 1 in the chamber
458 Winchester Magnum	3 - 1 in the chamber
12 Gauge	2 - 1 in the chamber

SECTION 8

RINGS & BASES

RINGS AND BASES FOR MOUNTING A SCOPE

The following Companies manufacturer *RINGS* and *BASES* that fit Savage firearms.

The manufacturer's listed below should be contacted for specific part numbers and information.

WEAVER P.O. Box 39 Onalaska, WI 54650 800-635-7656 www.weaveroptics.com	BURRIS 331 East 8 th Street Greeley, CO 80631 970-356-1670 www.burrisoptics.com
KWIK-SITE 5555 Treadwell Wayne, MI 48184 734-326-1500 www.kwiksiteco@aol.com	MILLETT 7275 Murdy Circle Huntington Beach, CA 92647 800-645-5388 www.millettsights.com
B-SQUARE P.O. Box 11281 Fort Worth, TX 76110 800-433-2909 www.b-square.com	LEUPOLD 14400 NW Greenbrier Parkway Beaverton, OR 97006 503-526-5196 www.leupold.com

SECTION 9

STATEMENT OF LIMITED WARRANTY

Please complete the *WARRANTY REGISTRATION CARD* and return it to **Savage Arms, Inc.** within ten (10) days from the date of purchase.

Savage Arms, Inc. must be notified within one (1) year from the date of purchase of any defect in materials or workmanship encountered during normal use.

WHO IS COVERED?

The original owner (with proof of purchase).

WHAT IS COVERED?

Any defect in materials or workmanship performed at **Savage Arms**.

HOW LONG IS THE WARRANTY PERIOD?

One (1) year from the date of purchase.

WHAT IS NOT COVERED?

PERSONAL INJURY, PROPERTY DAMAGE, AND/OR DAMAGE TO THE FIREARM CAUSED BY:

- Negligence to provide proper care and maintenance.
- Alterations/modifications performed without the expressed authorization of **Savage Arms, Inc.** Service Department.
- Normal wear; tear; and/or corrosion.
- Accidental discharge, careless handling, and/or misuse

- Barrel obstructions.

EXCLUSIONS AND LIMITATIONS:

This *WARRANTY* and the remedies set forth herein are exclusive and take the place of all other expressed or implied *WARRANTIES* (including any implied *WARRANTY* of merchantability or fitness for any particular purpose which are disclaimed). No other representations or claims of any nature shall be binding on or obligate **Savage Arms, Inc.**

Savage Arms, Inc. excludes any incidental and consequential damages under this warranty. Some states do not allow exclusions or limitations on how long an implied warranty lasts, so the above limitations may not apply to you.

This *WARRANTY* gives you specific legal rights. You may have other rights, which will vary, from state to state.

RETURNING A FIREARM:

For *WARRANTY* claims, proof of purchase must accompany the firearm.

It is a violation of Federal Law to ship a firearm with live ammunition either in the box or in the firearm itself. If received, The Bureau of Alcohol, Tobacco, and Firearms must be notified!

Savage Arms, Inc. is not responsible for the loss or damage to any accessories shipped with the firearm.

If there is a question whether the firearm should be returned or parts could be purchased, please call 1-413-568-7001 between 9:00 am and 3:30 p.m. EST and ask for the Service/Warranty Department.

All firearms are to be sent to **Savage Arms, Inc.** at the owner's expense. Warranty repairs will be returned to the owner at the expense of **Savage Arms, Inc..**

2. Pack the firearm in its original box if possible (or a similar suitable box), being careful to include any support pieces.

3. Enclose a brief note including:

- Name, address and phone number of sender
- Best time and method to contact sender
- Serial number of firearm
- Description of the problem you are having
- Bullet weight, bullet type, sabot, powder type and charge you are using
- Any other information that you feel may be helpful.

4. Return to:

Savage Arms, Inc.
100 Springdale Road
Westfield, MA 01085
Attn: Service Department

5. If there will be a charge involved for the repair, a quote will be sent within fourteen (14) working days

- If there is no response from the quote within (30) days, the firearm will be returned COD (\$20.00 Shipping/Handling).
- Firearms will be repaired typically 4 weeks after receipt of payment in the order they were received.



WARNING

Children are attracted to and can operate firearms that can cause severe injury or death. Prevent child access by always keeping guns locked away and unloaded when not in use. If you keep a loaded firearm where a child obtains and improperly uses it, you may be fined or sent to prison.



ADVERTENCIA

A los niños los atraen las armas de fuego y las pueden hacer funcionar. Ellos pueden causarse lesiones graves y la muerte. Evite que los niños tengan acceso a las armas de fuego guardándolas siempre con llave y descargadas cuando no las esté utilizando. Si usted tiene un arma de fuego cargada en un lugar en que un niño tiene acceso a ella y la usa indebidamente, le pueden dar una multa o enviarlo a la cárcel.



Savage Arms
The Definition of Accuracy

100 Springdale Road
Westfield, MA 01085

www.savagearms.com