

S

# INSTRUCTION MANUAL FOR

STAINLESS  
STEEL

CALIBERS

.204 Ruger, .22-250 Rem.,  
.223 Rem. Mag., .243 Win.,  
.25-06 Rem., 6.5 Creedmoor,  
.308 Win.,



## **RUGER®** **M77® MARK II** BOLT ACTION RIFLES



**READ THE INSTRUCTIONS AND  
WARNINGS IN THIS MANUAL CAREFULLY  
BEFORE USING THIS FIREARM**

© 2011 Sturm, Ruger & Co., Inc.

This manual may not be reproduced in whole or in part without the express written permission of Sturm, Ruger & Co., Inc.

**For Service on This Model Please Call:  
(603) 865-2442 (See p. 29)**

THIS INSTRUCTION MANUAL SHOULD ALWAYS ACCOMPANY THIS FIREARM AND BE TRANSFERRED WITH IT UPON CHANGE OF OWNERSHIP, OR WHEN THE FIREARM IS LOANED OR PRESENTED TO ANOTHER PERSON.

KD & KDM 11/11  
R14

## State-By-State Warnings

Certain states require by law that their own specified warning notices in larger-than-normal type be conspicuously included by the manufacturer, distributor, or retail dealer with firearms sold in that state. Sturm, Ruger sells its products in compliance with applicable laws and regulations. Because our products may be sold in these states, we include the following:

### California:

#### **⚠ WARNING**

“Children are attracted to and can operate firearms that can cause severe injuries or death. Prevent child access by always keeping guns locked away and unloaded when not in use. If you keep a loaded firearm where a child obtains and improperly uses it, you may be fined or sent to prison.”

#### **⚠ ADVERTENCIA**

“A los niños los atraen las armas de fuego y las pueden hacer funcionar. Ellos pueden causarse lesiones graves y la muerte. Evite que los niños tengan acceso a las armas de fuego guardándolas siempre con llave y descargadas cuando no las esté utilizando. Si usted tiene un arma de fuego cargada en un lugar en que un niño tiene acceso a ella y la usa indebidamente, le pueden dar una multa o enviarlo a la cárcel.”

### Connecticut:

“UNLAWFUL STORAGE OF A LOADED FIREARM MAY RESULT IN IMPRISONMENT OR FINE.”

### Florida:

“IT IS UNLAWFUL, AND PUNISHABLE BY IMPRISONMENT AND FINE, FOR ANY ADULT TO STORE OR LEAVE A FIREARM IN ANY PLACE WITHIN THE REACH OR EASY ACCESS OF A MINOR UNDER 18 YEARS OF AGE OR TO KNOWINGLY SELL OR OTHERWISE TRANSFER OWNERSHIP OR POSSESSION OF A FIREARM TO A MINOR OR A PERSON OF UNSOUND MIND.”

## **Maine:**

“ENDANGERING THE WELFARE OF A CHILD IS A CRIME. IF YOU LEAVE A FIREARM AND AMMUNITION WITHIN EASY ACCESS OF A CHILD, YOU MAY BE SUBJECT TO FINE, IMPRISONMENT OR BOTH. KEEP FIREARMS AND AMMUNITION SEPARATE. KEEP FIREARMS AND AMMUNITION LOCKED UP. USE TRIGGER LOCKS.”

## **Maryland:**

“WARNING: Children can operate firearms which may cause death or serious injury. It is a crime to store or leave a loaded firearm in any location where an individual knew or should have known that an unsupervised minor would gain access to the firearm. Store your firearm responsibly!”

## **Massachusetts:**

“WARNING FROM THE MASSACHUSETTS ATTORNEY GENERAL: This handgun is not equipped with a device that fully blocks use by unauthorized users. More than 200,000 firearms like this one are stolen from their owners every year in the United States. In addition, there are more than a thousand suicides each year by younger children and teenagers who get access to firearms. Hundreds more die from accidental discharge. It is likely that many more children sustain serious wounds, or inflict such wounds accidentally on others. In order to limit the chance of such misuse, it is imperative that you keep this weapon locked in a secure place and take other steps necessary to limit the possibility of theft or accident. Failure to take reasonable preventive steps may result in innocent lives being lost, and in some circumstances may result in your liability for these deaths.”

“IT IS UNLAWFUL TO STORE OR KEEP A FIREARM, RIFLE, SHOTGUN OR MACHINE GUN IN ANY PLACE UNLESS THAT WEAPON IS EQUIPPED WITH A TAMPER-RESISTANT SAFETY DEVICE OR IS STORED OR KEPT IN A SECURELY LOCKED CONTAINER.”

**New Jersey:**

“IT IS A CRIMINAL OFFENSE TO LEAVE A LOADED FIREARM WITHIN EASY ACCESS OF A MINOR.”

**New York City:**

“THE USE OF A LOCKING DEVICE OR SAFETY LOCK IS ONLY ONE ASPECT OF RESPONSIBLE FIREARMS STORAGE. FOR INCREASED SAFETY, FIREARMS SHOULD BE STORED UNLOADED AND LOCKED IN A LOCATION THAT IS BOTH SEPARATE FROM THEIR AMMUNITION AND INACCESSIBLE TO CHILDREN AND OTHER UNAUTHORIZED PERSONS.”

**North Carolina:**

“IT IS UNLAWFUL TO STORE OR LEAVE A FIREARM THAT CAN BE DISCHARGED IN A MANNER THAT A REASONABLE PERSON SHOULD KNOW IS ACCESSIBLE TO A MINOR.”

**Texas:**

“IT IS UNLAWFUL TO STORE, TRANSPORT, OR ABANDON AN UNSECURED FIREARM IN A PLACE WHERE CHILDREN ARE LIKELY TO BE AND CAN OBTAIN ACCESS TO THE FIREARM.”

**Wisconsin:**

“IF YOU LEAVE A LOADED FIREARM WITHIN THE REACH OR EASY ACCESS OF A CHILD YOU MAY BE FINED OR IMPRISONED OR BOTH IF THE CHILD IMPROPERLY DISCHARGES, POSSESSES, OR EXHIBITS THE FIREARM.”

\* \* \* \* \*

Please check with your licensed retailer or state police for additional warnings which may be required by local law or regulation. Such regulations change constantly, and local authorities are in the best position to advise you on such legal matters.

**FIREARMS SAFETY IS YOUR RESPONSIBILITY**  
**SAFETY MUST BE THE FIRST AND CONSTANT**  
**CONSIDERATION OF EVERY PERSON WHO HANDLES**  
**FIREARMS AND AMMUNITION.**

This Instruction Manual is designed to assist you in learning how to use and care for your **RUGER® M77® MARK II** rifle properly. Please contact us if you have any questions.

Only when you are certain you fully understand the Manual and can properly carry out its instructions should you practice loading, unloading, etc. with live ammunition. If you have any doubts about your ability to handle or use a particular type of gun safely, you should seek supervised instruction. Such personalized instruction often is available from gun dealers, gun clubs or police departments. If none of these sources can help, visit [www.nra.org/home](http://www.nra.org/home) or write to the following address:

National Rifle Association  
11250 Waples Mill Road  
Fairfax, VA 22030-7400

The person possessing a gun has a full-time job. You cannot guess; you cannot forget. You must know how to use your firearm safely. **Do not use any firearm without having a complete understanding of its particular characteristics and safe use.** Remember: There is no such thing as a foolproof gun.

## TABLE OF CONTENTS

	Page
State-By-State Warnings .....	2
Nomenclature .....	6
Locking Device Installation Instructions .....	6
General Information and Mechanical Characteristics .....	9
Target Trigger Information .....	11
Operation of Safety .....	11
Ammunition .....	13
To Load and Fire .....	14
To Unload Rifle and Magazine .....	16
To Clear a Malfunction (“Jam”) .....	17
To Minimize Malfunctions (“Jams”) .....	19
Basic Disassembly and Reassembly .....	19
Care and Cleaning .....	23
Storage .....	24
Maintenance of Stainless Steel Rifles .....	25
Attaching Ruger Scope Rings .....	26
Sight Adjustment .....	26
Sight Picture and Adjustment for Magnum and Express Models Only .....	27
Special Instructions and Warning For Frontier Rifle .....	28
Service and Parts Policy .....	29
Shipping Firearms for Repair .....	29
Ordering Parts .....	30
Parts List .....	31 - 37
Parts Drawings .....	38 - 41
<b>The Basic Rules of Safe Firearms Handling</b> .....	<b>42 - 45</b>
Warranty Information .....	48

“Ruger” & “M77” are registered U.S. trademarks.

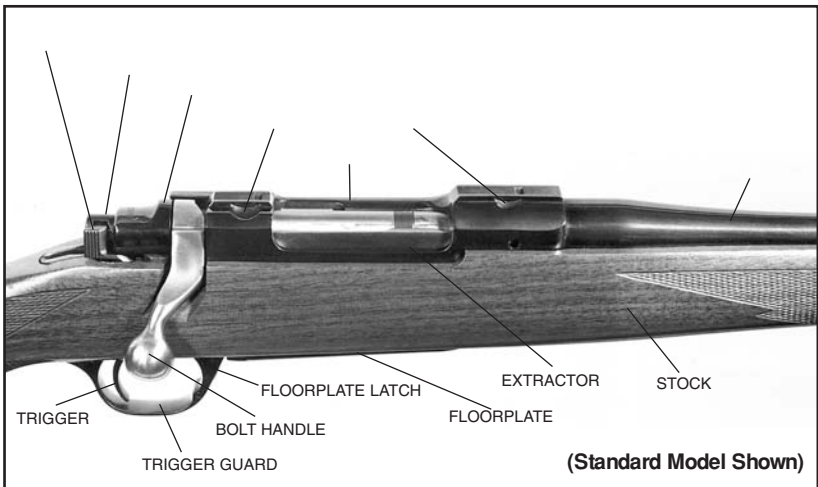
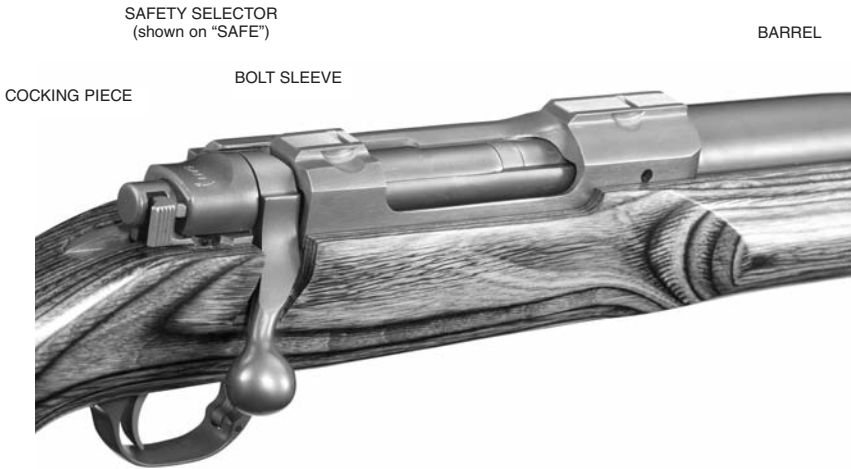


### WARNINGS OF GREAT IMPORTANCE ARE FOUND ON THE FOLLOWING PAGES:

Locking Devices	6	Unloading	17
Alterations	9	Malfunctions	18
Target Trigger	11	Disassembly	19
Manual Safety	12	Lubrication	24
Lead Exposure	13	Storage	25
Ammunition	14	Scope Mounting	28
Loading	14	Shipping	29
Handling	15	Parts Purchasers	30
Firing	16		

**OTHER CAUTIONS AND WARNINGS APPEAR  
THROUGHOUT THE MANUAL.**

# NOMENCLATURE



**Figure 1.** Right-handed version shown. In this illustration the cocking piece is shown cocked (protruding from the rear of the bolt sleeve). The bolt stop (on the left side of the receiver) permits the bolt to be withdrawn simply by pulling it out to the left. **The safety selector should be in the "Load-Unload" position when the bolt is being removed or installed.**

# LOCKING DEVICE INSTALLATION INSTRUCTIONS



## WARNING – USE OF LOCKING DEVICES



- Always keep your firearm pointed in a safe direction, including when you are installing or removing your locking device.
- Always verify that your firearm is completely **unloaded** before installing your locking device.
- Do **not** install locking devices in the trigger guard; always keep your fingers, clamp and locking device outside the trigger guard during device installation and removal.
- Store firearms, ammunition and keys separately and securely, away from children and careless adults; do **not** store your firearm with the keys in the locking device.
- Do not attempt to work the action of your firearm with the locking device in place; this may damage your firearm.
- While locking devices are an important aid to security measures, they are not a substitute for safe firearm handling and proper storage. Remember that any mechanical device can be bypassed with enough time, knowledge, determination and equipment.

**LOCKING DEVICES MUST BE USED  
SAFELY AND RESPONSIBLY**

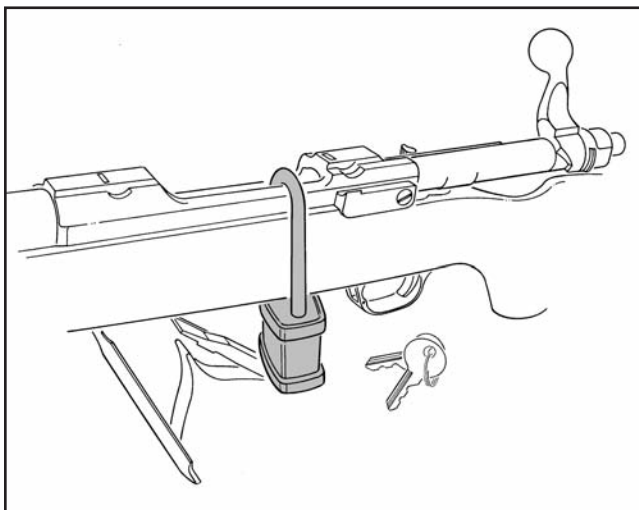
**Use the Correct Lock:** While the basic locking device is substantially similar for all Ruger® firearms, due to the different shapes of the many Ruger® firearms, some firearms utilize different locking devices. The lock with the 2-1/2” shackle is for use with the **M77® MARK II** rifles. **It is important to use the correct locking device!**

### **To Install the Factory-Supplied Locking Device:**

1. **Keep the muzzle pointed in a safe direction and your fingers outside the trigger guard at all times!**
2. **Be sure the firearm and its magazine are completely unloaded and contain no cartridges or cartridge cases!**
3. **Open the action completely by drawing the bolt fully to the rear.**



4. Release the floorplate latch and allow the floorplate to hang open.
5. Apply the lock directly to your M77 Mark II rifle as shown below.
6. Close the lock by pressing the shackle into the body of the lock (the part that receives the key) as tightly together as possible. The lock has bumpers and the shackle is coated with a non-marring material that will not harm the metal finish of your firearm; be careful not to dent or scratch the wooden stock.
7. Once the lock is securely closed, remove the key. Pull firmly on the lock to test the connection and be sure it is locked. **Do not leave or store your firearm with the key in the lock!** Store your locked unloaded firearm and the key in secure, separate locations, away from ammunition, children, or unauthorized adults.



***Correct Installation of Lock  
For Ruger® M77® Mark II Rifles Only***

**FIREARMS ARE DANGEROUS WEAPONS –  
READ THE INSTRUCTIONS AND WARNINGS  
IN THIS MANUAL THOROUGHLY AND  
CAREFULLY BEFORE USING.**

 <b>WARNING–ALTERATIONS</b>	
	This product was designed to function properly in its original condition. Alterations can make it unsafe. Do not alter any part or add or substitute parts or accessories not made by Sturm, Ruger & Co. Inc.
	<b>DO NOT ALTER ANY GUN</b>

## **GENERAL INFORMATION AND MECHANICAL CHARACTERISTICS**

The **RUGER® M77® MARK II** is a bolt action, magazine fed, repeating rifle. The receiver on all versions of the **RUGER® M77® MARK II** rifle incorporates integral scope mount bases (see the illustration on p. 10). A set of two steel one-inch scope rings is included.

Other notable features of **RUGER® M77® MARK II** rifles include: A three-position safety, a fast lock-time steel trigger mechanism, a patented bedding system, quick release hinged floorplate with a newly designed floorplate latch, cut-checked walnut stock with rubber recoil pad, and studs to which sling swivels can be attached. An “All-Weather®” version featuring stainless steel construction and a warp-proof synthetic stock is also available.

All mechanical components are made of heat-treated chrome-molybdenum or stainless steel with music wire coil springs throughout the mechanism (except the magazine spring). The rifle is available in short, standard, and magnum action lengths, and in right-handed and left-handed versions.

The **RUGER® M77® MARK II Magnum** Rifles are the first true “magnum length” actions offered by Sturm, Ruger. By combining a specially reinforced and lengthened receiver with a massive banded barrel, with an integral solid rib onto which special folding leaf Express sights with wide “V” notches have been dovetail mounted, Ruger has produced a modern big game rifle for the discriminating sportsman.

The **RUGER® M77® MARK II Express** Rifles are the first deluxe standard length actions offered by Sturm, Ruger. The barrel incorporates an integral solid rib onto which special folding leaf Express sights with wide “V” notches have been dovetail mounted. This is a modern deluxe rifle with superior quality wood and features usually found only on custom rifles.

The **RUGER® M77® MARK II Target Rifle** is purpose-built for long range precision target shooting. It features a heavyweight hammer-forged barrel, target grade laminated wood stock, and a special two-stage target trigger (see p. 11 “Special Safety Note”). All exposed stainless steel components on the Target Grey™ model feature Ruger’s unique, corrosion-resistant, low-glare finish.

The **RUGER® M77® MARK II Compact Model** has a specially designed stock with a 12 3/4” length of pull, shorter forend, and a 16 1/2” lightweight barrel for ease of carry in dense cover.




The **RUGER® M77® MARK II Frontier Rifle** features a shorter stock and 16 1/2” barrel like the Compact Model and includes front scope mounting barrel ribs. The Frontier Rifle allows for fast “eyes-open” target acquisition in a short, easy to carry package. Patented Ruger scope rings and a Weaver-style scope base adapter are included.

## SPECIAL SAFETY NOTE

### M77 MARK II TARGET RIFLE ONLY

The special model you have selected is specifically designed for long-range precision target shooting. As such, it demands that you take extra safety precautions.

The special trigger in the Target version of the **RUGER® M77® MARK II** has a two-stage pull, both for safety and precise placement of shots. Initial movement of the trigger is relatively “slack” until resistance is felt after approximately 1/8” of travel. Final let-off of the trigger is then crisp and light. You should practice “dry-firing” an empty rifle (with it pointing in a safe direction) to learn the “feel” of the trigger before ever loading it with ammunition.

 <b>WARNING – TARGET TRIGGER</b>	
	<p>This precision Target trigger has been carefully adjusted at the factory to a minimum safe weight of pull (part #D02202), overtravel (part #D02201), and sear engagement (part #D02201). Do not alter any factory setting! You can create an unsafe condition and the rifle may fire unexpectedly.</p>
	<p>You should be especially careful to <u>keep the safety on at all times except when actually firing</u> and <u>keep your finger off the trigger unless you are squeezing it to fire</u>, in order to minimize the possibility of accidental discharge.</p>
<b>DO NOT TAMPER WITH TRIGGER – KEEP SAFETY ON UNLESS FIRING</b>	

## OPERATION OF SAFETY

The **RUGER® M77® MARK II** rifle has a three-position safety. The safety selector is located at the right of the bolt sleeve (on the left of the bolt sleeve on left-handed versions).

The safety selector can be moved from the “Fire” position to its two other positions (“Load-Unload” and “Safe”) only when the firing pin is cocked. Fully raising the bolt handle cocks the firing pin.

The bolt handle can be raised and lowered only when the safety selector is in either the “Fire” or the “Load-Unload” position. When the safety selector is in the

“Safe” position, the bolt handle is locked in the closed (full down) position, in order to prevent inadvertent lifting of the bolt handle and to ensure that the rifle will be ready to fire when the safety is moved to the “fire” position.

Practice (with an unloaded rifle) moving the safety selector to the three positions until you know the position of the safety selector for the three modes– “Fire,” “Load-Unload,” and “Safe.” **WARNING: When manipulating the safety selector, DO NOT HAVE ANY FINGER INSIDE THE TRIGGER GUARD! When the safety selector is in the “Fire” position and the trigger is pulled, the rifle will fire.**

The safety selector should always be in the “Safe” position except when the gun user is actually firing or unloading the rifle. The safety selector should unfailingly be moved to the “Safe” position when the gun user ceases firing.

## SAFETY POSITIONS (Right-handed rifle shown)

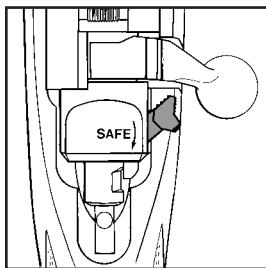


Figure 2. Safety selector in “FIRE” (full forward) position. The safety selector should be moved to this position only when the gun user is actually firing the rifle. When the safety selector is in the fire position, it is referred to as being “off.” (When the safety is in the “SAFE” position, it is referred to as being “on.”)

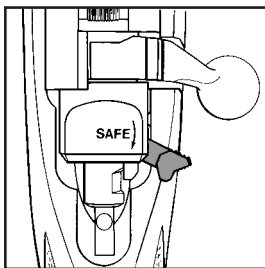


Figure 3. Safety selector in “LOAD-UNLOAD” (middle) position. The safety selector should be in this position when the bolt is being cycled to load a cartridge, or to unload a live round. As soon as a cartridge is chambered, the safety selector should be moved to the “SAFE” position unless the rifle is to be fired immediately.

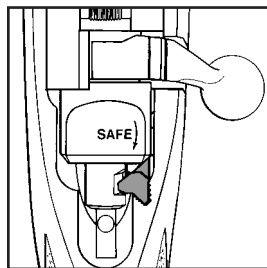

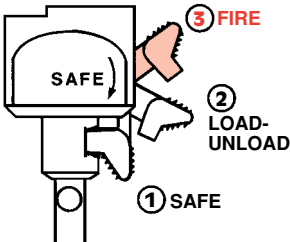




Figure 4. Safety selector in “SAFE” (full rearward) position. The safety selector is fully nested in the groove in the cocking piece. When the safety selector is in this position, the bolt handle cannot be raised. The curved arrow on the bolt sleeve indicates the direction and motion of the safety selector to bring it to the “SAFE” position. **Keep the safety selector in this position except when actually loading, unloading, or firing.**

	
<h3>WARNING – MANUAL SAFETY</h3>	
	<p>Keep the safety on unless actually firing. Always move the safety fully to its intended position and check it. The safety has three positions – “SAFE,” “LOAD-UNLOAD,” and “FIRE.” Never depend on a safety mechanism or any other mechanical device to justify careless handling or permitting the rifle to point in an unsafe direction. The only “safe” rifle is one in which the bolt is open and the chamber and magazine are empty.</p>
<b>KNOW HOW TO USE THE SAFETY</b>	

The safety selector is held in each of its three positions by a plunger that is under spring tension. Therefore, the gun user should frequently check the position of the safety selector to be certain it has not been inadvertently moved. If the safety does not function properly, or if the selector seems to move too easily, or if the safety selector does not seem firmly positioned in any of its three positions, the rifle should be discontinued from use and returned to the Newport Product Service Department for repair (see p. 29).

	
<b>WARNING – LEAD EXPOSURE</b>	
	Discharging firearms in poorly ventilated areas, cleaning firearms, or handling ammunition may result in exposure to lead and other substances known to the state of California to cause birth defects, reproductive harm, and other serious physical injury. Have adequate ventilation at all times. Wash hands thoroughly after exposure.
<b>SHOOTING OR CLEANING GUNS MAY EXPOSE YOU TO LEAD</b>	

## AMMUNITION




**RUGER® M77® MARK II** rifles are chambered for many of the most popular factory-loaded cartridges manufactured in accordance with U.S. industry practice. The particular caliber for each rifle is rollmarked on the barrel. Use cartridges only of the designated caliber that is marked on the barrel. Please see “Warning - Ammunition” and “Warning - Loading” on page 14.

Ruger M77 Mark II Express bolt action rifles are chambered for either the .270, .300 Magnum, 7mm, .338 Magnum, or .30/06 cartridges in all factory loadings. The Ruger Express Rifle magazine capacity is three cartridges.

Ruger M77 Mark II Magnum bolt action rifles are chambered for either the .416 Rigby, .404 Jeffery, .375 H&H Magnum, or .458 Lott cartridges in all factory loadings. The Ruger Magnum Rifle magazine capacity is three cartridges in .416 Rigby, three cartridges in .404 Jeffery, four cartridges in .375 H&H, and four cartridges in .458 Lott.

### AMMUNITION (CARTRIDGES) NOTICE

**WE SPECIFICALLY DISCLAIM RESPONSIBILITY FOR ANY DAMAGE OR INJURY WHATSOEVER OCCURRING IN CONNECTION WITH, OR AS A RESULT OF, THE USE IN ANY RUGER FIREARMS OF FAULTY, OR NON-STANDARD, OR “REMANUFACTURED” OR HAND-LOADED (RELOADED) AMMUNITION, OR OF CARTRIDGES OTHER THAN THOSE FOR WHICH THE FIREARM WAS ORIGINALLY CHAMBERED.**




 <b>WARNING – AMMUNITION</b>	
	<p>Death, serious injury, and damage can result from the use of wrong ammunition, bore obstructions, powder overloads, or incorrect cartridge components. Even the strongest gun can be blown up by excess pressure. Only use correct ammunition loaded to U.S. Industry Standards. <u>Always</u> wear shooting glasses and hearing protectors.</p>
	<p><b>IMPROPER AMMUNITION DESTROYS GUNS</b></p>

## TO LOAD AND FIRE

Practice the important aspects of gun handling described below (with an unloaded rifle) until you can perform each of the steps with skill and confidence. **But before loading the rifle, please read completely through this manual, and be certain the muzzle is pointing in a safe direction. Do not load the rifle until you are ready to use it!**

(The following procedure assumes a new rifle with the bolt out).

1. Keep the muzzle pointed in a safe direction (See Rule 2, p. 42).
2. Position the safety selector in the “Load-Unload” position (see Figure 3, p. 12).
3. Insert the bolt in the receiver in accordance with “To replace bolt” instructions on Page 22.
4. Draw the bolt fully to the rear.


 <b>WARNING – LOADING</b>	
	<p>Know the caliber of your rifle you are loading and load cartridges of only that caliber into it!</p> <p>Before loading, be certain the primer of each cartridge is seated flush with, or below, the surface of the cartridge case base. A cartridge discharged by the closing of the bolt can result in possible serious injury to the shooter and those nearby.</p> <p>If a cartridge does not chamber readily, do not force it. Check the bore and chamber to be certain that each cartridge is the proper caliber and of correct dimensions. If you cannot determine why the cartridge will not fit, clear the rifle of all cartridges and write or call the factory.</p> <p><b>The wrong ammunition can destroy your gun and result in serious injury.</b></p>
	<p><b>BE SURE WHAT YOU LOAD IS CORRECT</b></p>

Loading the magazine: (Safety should be in “Load-Unload” position.) With the bolt open, and the floorplate in its closed and latched position, load cartridges of the correct caliber directly into the magazine from the top by pressing one cartridge at a time into the magazine.

Loading the chamber: (Safety should be in “Load-Unload” position.) Do not chamber a cartridge until you are ready to shoot immediately. After loading the magazine, push the bolt handle forward. This will strip a cartridge from the magazine and push the cartridge ahead of the bolt into the chamber. Close the bolt handle fully downward and put the safety fully rearward to the “Safe” position.

 <b>WARNING – HANDLING</b>	
	<p>Never carry the rifle loaded with the safety selector in the “FIRE” position. If dropped or struck with the safety off, the rifle may fire. Such a discharge can occur with or without the trigger being directly struck or touched. Never rest a loaded rifle against any object (wall, fence, vehicle, tree, etc.) because there is always the possibility that the rifle will be jarred or slide from its position and fall with sufficient force to discharge. Keep safety on unless actually firing.</p> <p>Never lower (uncock) the firing pin with a loaded cartridge in the chamber. Under such circumstances the firing pin will be in direct contact with the primer of the loaded cartridge and a light accidental blow to the firing pin can readily cause the gun to discharge.</p>
	<b>ANY GUN MAY FIRE IF DROPPED</b>

To single-load: (Safety should be in “Load-Unload” position.) Place a cartridge directly into the chamber and close the bolt. If there are cartridges in the magazine and it is desired to single-load a cartridge directly into the chamber, depress the top cartridge and push the bolt forward until the bolt face is well ahead of the rim of the top cartridge in the magazine. Then, close the bolt.

	<b>WARNING: DO NOT TOUCH THE TRIGGER UNTIL YOU ARE ACTUALLY READY TO FIRE THE RIFLE.</b>
---	--



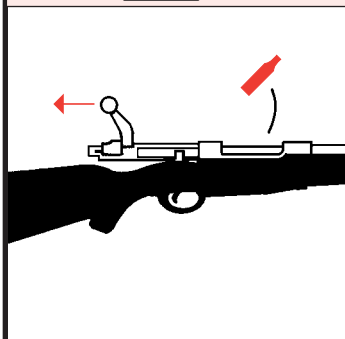
To fire the rifle: When a cartridge is chambered and the rifle is pointed in a safe direction, put the safety in the “Fire” position. Pulling (squeezing) the trigger will discharge the cartridge. **Always be certain that you know where the bullet will strike when you fire the rifle.** Never allow the thumb to touch the cocking piece when firing as it can be pinched when the cocking piece moves forward to fire the rifle.

## IMPORTANT SAFETY NOTE

OWNERS OF M77 MARK II TARGET RIFLES - SEE PAGE 11 FOR IMPORTANT INFORMATION ABOUT FIRING YOUR RIFLE, WHICH IS EQUIPPED WITH A SPECIAL TARGET TRIGGER.



## WARNING – FIRING



When firing the M77® Mark II be sure that bystanders are well clear of the shooter and standing a safe distance to the rear. Empty cartridge cases are hot and are normally ejected from the rifle to the right. They could cause injury to any person who is standing too closely alongside the shooter. Shooters who fire right-handed rifles from their left shoulder should be particularly cautious concerning ejected cartridge cases and the back of the bolt as it is drawn rearward.

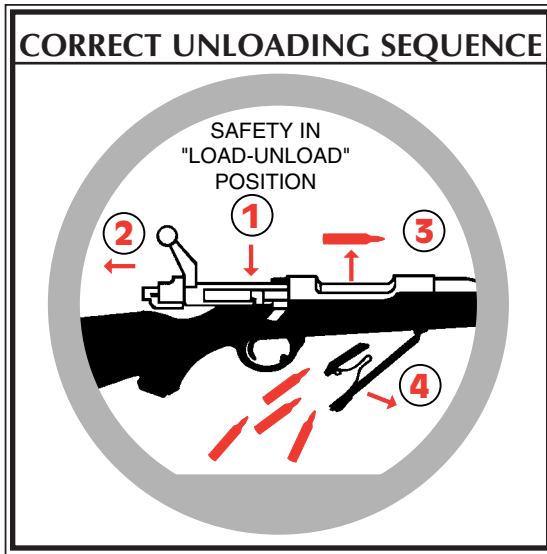
**EJECTED BRASS IS HOT**



## TO UNLOAD RIFLE AND MAGAZINE

**(Keep the Rifle Pointed in a Safe Direction)**

**UNLOAD THE RIFLE IMMEDIATELY WHEN YOU ARE FINISHED SHOOTING.**

1. Move the safety selector to the “Load-Unload” position if the firing pin is cocked.
2. Lift the bolt handle fully and then pull it completely to the rear to eject chambered cartridge.
3. Inspect the chamber to be certain the cartridge has been extracted. Leave bolt open. Do not unload magazine by feeding cartridges into chamber.
4. Push rearward the small latch in the front of the trigger guard to open the hinged floorplate and empty the cartridges from the magazine. Hold the other hand under the floorplate so as to retard the opening of the spring loaded floorplate and catch the cartridges in the palm of the hand.
5. Close the bolt fully.
6. Move the safety selector in the “Fire” position and **with the rifle pointed in a safe direction, pull the trigger.**



 <span style="font-size: 24pt; font-weight: bold; margin-left: 10px;">WARNING – UNLOADING</span>	
	<p>Removing cartridges from the magazine does not prevent the rifle from being fired! When there is a cartridge in the chamber and the safety selector is in the “Fire” position, the cartridge will discharge if the trigger is pulled. It is absolutely essential for the user to know how to completely unload it.</p> <p>“Completely” means emptying the magazine and removing a chambered cartridge. <b>The safety selector should always be in the “Load-Unload” position when the rifle is being unloaded.</b> See the “Operation of Safety” section of this manual.</p>
GUN WILL FIRE WITH EMPTY MAGAZINE	




## TO CLEAR A MALFUNCTION (“JAM”)

If a jam occurs, immediately put the safety selector in the “Load-Unload” position and be certain the muzzle of the rifle is at all times pointing in a safe direction.

Then study the situation to determine the nature of the jam and how best to clear it.

- If a cartridge or fired case is caught between the bolt and the barrel, or against a cartridge that is in the chamber, open the hinged floor plate and empty the cartridges from the magazine. Then retract the bolt fully and remove the jammed cartridge or case.

- When attempting to extract a cartridge that is “stuck” in the chamber do not use any type of tool that is likely to act as a “firing pin” and discharge the cartridge should the tool impact on the primer.
- After clearing a jam, inspect the gun mechanism to determine if dirt might be the cause of the problem. Excess lubricant or grease can cause cartridges to feed sluggishly or fail to extract. An accumulation of grease or dirt on the face of the bolt, under the extractor, in the chamber, or in the magazine can contribute to cartridge feeding problems. (See section on “Care and Cleaning” page 23.)
- After clearing a jam, inspect all cartridges that have been removed from the gun. Safely dispose of any cartridges which are in any way damaged.
- If it appears that the rifle is not at fault and that the jam was caused by the type of cartridge being used, then try another type.
- Examine your fired cartridge cases. If they have split, blown or bulged heads, stop using that ammunition and promptly return the rifle to the factory for examination.
- If the above procedures do not result in a smooth and reliable feeding firearm, don’t use the rifle. The **RUGER® M77® MARK II** can be returned directly to our Newport Product Service Department for inspection and repair, if required. See the “Service and Parts Policy” section of the manual for packing and shipping information.

 <h2 style="margin: 0;">WARNING – MALFUNCTIONS</h2>	
	<p>If a cartridge hangs up, jams, or binds when being chambered or when being fed from the magazine into the chamber, <b>do not attempt to force it into the chamber by pushing or striking the bolt handle.</b></p> <p>Most failures of a cartridge to feed or to chamber are caused by improper loading of the magazine or ammunition that is incorrect or defective.</p> <p><b>Whatever the cause, the gun user must, above all, recognize that jams can result in the very potentially dangerous situation of a cartridge discharging before it is chambered. If this occurs, the cartridge case will rupture and its fragments will fly out of the gun with sufficient force to cause injury. Always wear shooting glasses and hearing protectors!</b></p>
	<h3 style="margin: 0;">STRIKING PRIMER CAN BURST CARTRIDGE</h3>

## TO MINIMIZE MALFUNCTIONS (“JAMS”)

Firearms of all makes and types are susceptible to occasional malfunctioning due to a cartridge not feeding from the magazine to the chamber, or due to a cartridge or fired case not being extracted and ejected.

To minimize the possibility of such occurrences the gun user should:

- Use ammunition of the correct caliber and type which is loaded to U.S. Industry Specifications. Do not use cartridges that are deformed or cartridges that have been reloaded.
- Clean and lubricate the gun in accordance with the instructions in this manual.
- Learn to correctly operate the bolt and how to properly load and empty the chamber and magazine.
- If the mechanism shows signs of not functioning correctly, or if a part is damaged or broken – don't use the rifle. Have it inspected and repaired.

For most repairs we recommend that Ruger guns be returned to the factory. However, if a gun has a cartridge in it which cannot be removed, then it is a violation of Federal Regulations to ship that loaded gun whether it be by U.S. Mail or by common carrier. Contact our Newport Product Service Department at (603) 865-2442.

## BASIC DISASSEMBLY AND REASSEMBLY

 <b>WARNING – DISASSEMBLY</b>	
	Always unload a firearm before cleaning, lubrication, disassembly or assembly.
<b>UNLOAD BEFORE CLEANING</b>	

It is preferable to carry out these procedures on a workbench or table which has a covered top. A piece of shallow nap rug or an old, coarse blanket is an ideal covering. Such a covering not only reduces the chances of the rifle slipping and being scratched, but it serves also to trap pins, plungers and springs that may otherwise get lost. It is advisable to have a container – such as a shoebox – in which each part can be placed as it is removed from the gun.

Before attempting to disassemble the rifle for the first time, study the parts drawing and parts list so as to be familiar with the relative position, appearance and name of each part. Carry out the disassembly slowly and carefully note the position of the part in the gun before starting to remove it. If a part is under spring tension (such as, the Safety Selector, Bolt Stop, Trigger) remove it cautiously and anticipate the direction the spring and plunger are most likely to “jump.”

**WARNING:** If a spring or plunger become lost do not use a substitute. Springs of correct tension are vital to the safe and reliable performance of firearms. Before starting disassembly, remove the sling, scope and rings and place the rear sight blade in its down flat position.

## DISASSEMBLY

### (Rifle Must Be Unloaded Prior To Disassembly)

1. **Keep the rifle pointed in a safe direction!** Put the safety in the “Load-Unload” position.
2. **CHECK TO BE CERTAIN THAT THE CHAMBER AND MAGAZINE ARE EMPTY.**
3. **To remove the bolt:** Open bolt and pull to the rear while at the same time pivoting open the bolt stop which is located on the left side of the receiver on the right-handed version and the right side of the receiver on the left-handed version. This is as far as you need to dismantle the rifle for a routine cleaning. It is rarely necessary to proceed further.
4. **To remove firing pin assembly from bolt:** With bolt out of the rifle and firing pin cocked, insert a pin or nail into the “disassembly hole” in the cocking piece.

NOTE: The pin or nail should be as close as possible in size to the hole diameter, and at least 2 inches long so that it can be used to ‘lever’ the firing pin to the rear when reassembling the firing pin assembly into the bolt. Unscrew firing pin assembly and remove from bolt. (Caution: Do not remove the restraining pin until firing pin assembly is reassembled into bolt).



**CAUTION:** The firing pin assembly is intended to be a permanent assembly and should not be disassembled. The parts are under great spring pressure and if disassembled could fly apart with sufficient force to cause serious injury. Also, special tools are required to correctly reassemble this part.

5. **To remove stock:** Open floorplate and while holding it up out of the way, loosen and remove the screw that holds the floorplate hinge assembly. Next, loosen and remove the screw that is just forward of the trigger guard. Remove trigger guard. Remove magazine box. (If magazine box does not come out readily, do not force it. It can be lifted out with the barrel-receiver assembly, but it must be done with great care.) Lift barrel from the stock very carefully. Lift the receiver at the same time as the barrel is lifted so that the barrel-receiver comes out of the stock level and not at an angle.
6. **To remove the trigger:** (Safety Selector should be in the “Fire” position.) While holding the trigger in place, press out the trigger pivot pin. (Caution: Trigger is spring loaded.)

7. To remove the sear:
  - a. Press out the sear pivot pin.
  - b. Turn receiver upside down and slide sear forward. Sear will drop out of the top slot in the receiver.
8. To remove safety assembly:
  - a. Rotate the safety selector so that the upper section is positioned fully over the center of the receiver tang.
  - b. While holding the safety selector in place with thumb and forefinger, slide the retainer up out of receiver. (Caution: Safety Selector is under spring tension from a spring and plunger acting against the lower section of the safety selector. The spring and plunger will jump out if not contained.)
  - c. Lift out the safety selector.
  - d. Remove the safety selector detent and safety selector detent spring.

## **REASSEMBLY**

**(Again, Be Sure Rifle Is Unloaded)**

1. To replace the safety assembly:
  - a. Place the safety selector detent and safety selector detent spring into the hole in the receiver.
  - b. Set the safety selector in place with its upper section positioned over the center of the receiver tang.
  - c. While holding the safety selector in place with thumb and forefinger while applying downward pressure, slide the safety selector retainer into dovetail from the top. Align the notch in the safety selector retainer with the sear pivot pin hole.
2. To replace the sear:
  - a. Place the rear end (the end with the hole in it) of the sear into the slot from the top of the receiver. Swing the rear end of the sear up and slide the sear into position until the hole in the sear is aligned with the mating holes in the receiver.
  - b. Insert the sear pivot pin.
3. To replace the trigger:
  - a. Place the trigger/sear spring over the dimple in the trigger.
  - b. Assemble the trigger while aligning the spring with the dimple on the sear.
  - c. While holding the trigger in position, replace the trigger pivot pin.
4. To replace the stock:
  - a. Install magazine box on receiver.
  - b. Place barrel-action assembly – with magazine box in place – into stock.
  - c. Replace trigger guard and loosely install screws.
  - d. Install floorplate hinge assembly and firmly tighten screw. (This screw is angled and draws the barrel-action assembly into the bedding surface of the stock.)
  - e. Tighten the two trigger guard screws as follows: Do not tighten one screw all the way and then tighten the other. Instead, alternately tighten each one – a partial turn at a time – so that the screws will be tightened equally until both are snugly tightened.

5. To reassemble firing pin assembly into bolt:

Screw the assembly fully into the bolt. The assembly is properly positioned in the bolt when the flat on the bottom right side of the bolt sleeve (front of bolt facing you) is aligned with the flat on the bottom end of the bolt handle. Note: There is a shallow notch on the rear end of the bolt body – at the end of the cam cut – into which the nose of the cocking piece ‘fits.’ When the firing pin assembly is being turned into the bolt body, it may be necessary to use the restraining pin as a lever to slightly retract the cocking piece nose so it can be moved into the notch. When the firing pin assembly is correctly positioned in the bolt body, the restraining pin can be removed, but not before!

6. To replace bolt:

- a. With bolt handle in an upward position and bolt head away from you, align the extractor with the right hand locking lug in the right-handed version or the left locking lug in the left-handed version. Align the locking lugs with the channels in each side of the rear of the receiver and partially insert the bolt.
- b. Push the bolt fully forward.

**REGARDING ACCURACY:** The accuracy of any rifle can vary depending upon the make and type of cartridges used in it. Such being the case, if your **RUGER® M77® MARK II** rifle does not perform to expectations, it is advisable to try several brands and types of cartridges to determine which one delivers the best accuracy, before proceeding further. If your rifle is not as “accurate” as you believe it should be, before concluding that some serious fault exists, run the following checks:

1. Be certain the two trigger guard screws and the floorplate hinge screw are snugly tightened as described in Step 4, p. 21, of the “Reassembly” section of this manual.
2. Be certain the bore is clean and free from accumulated metal fouling (deposited by metal jacketed and lead bullets). See the “Care and Cleaning” section of this manual.
3. Check the sights for tightness, setting and alignment.

If everything is tight, the bore is clean, the sights are properly aligned and secure but the accuracy problem persists, DO NOT alter the stock bedding in any way. Do not scrape away wood and do not bed with “glass,” plastic, epoxy, etc. Once a rifle stock has been altered, it cannot be reworked by our Product Service Department.

If you still have an accuracy problem, write a brief letter to our Product Service Department in Newport, New Hampshire 03773 and describe the nature of the problem based on the use of factory-loaded cartridges – not reloads. You will receive a prompt response from us and if indicated, detailed instructions with regard to the return of the rifle.

## CARE AND CLEANING



**WARNING: BEFORE CLEANING, BE CERTAIN THE RIFLE AND ITS MAGAZINE CONTAIN NO CARTRIDGES.**



A firearm must be free of rust, dirt, grease and firing residues to function safely and reliably. Periodic maintenance, which includes inspection of components to determine if they are in proper working order, is absolutely essential. Firing deposits particles of bullet lubricant and powder in the bore, chamber, bolt, receiver, magazine and other parts of the rifle. There is no fixed rule as to how frequently the cleaning should be carried out, but the alert gun owner soon learns that any firearm functions most reliably and accurately when it is free of accumulations of grease and other firing residues.

Basic cleaning equipment includes: A correct size cleaning rod equipped with bore brushes (fiber and brass) and a tip in which a cloth patch can be inserted, patches, powder solvent, lubricant, small lint-free cloths and a toothbrush. Use correct size patches and brushes. Larger sizes will bind in the bore and can be very difficult to remove! Insert rod from the chamber end of the barrel and push firmly so the patch or brush emerges from the muzzle. Don't reverse the rod when a brush or patch is being used – it may bind. Don't use patches or brushes dripping with solvent or oil. Use rod and brushes with care so as not to damage gun.

1. For routine cleaning it is necessary only to remove the bolt and open the floorplate.
2. Push-pull a solvent-wetted patch through the bore several times. Next, using a solvent-wetted brush, run it the full length of the bore as many times as is necessary to completely remove all foreign matter from the bore and chamber. Dry the bore with clean patches and examine it. If bore remains fouled, repeat the brushing. Complete the cleaning by dry-patch wiping of bore and chamber.
3. Use a clean, solvent-wetted patch to remove firing residue and dirt from all "reachable" surfaces inside the receiver. Use the solvent-wetted toothbrush to dislodge caked dirt from all parts of the bolt assembly and from surfaces inside the receiver that can't be reached with a patch. Use cleaning patches or the cloth to remove the solvent.
4. Wipe all surfaces – internal and external – with a very light coat of oil. Oil and similar preparations "collect" dirt particles which can interfere with reliable functioning of the rifle. Therefore, use these preparations very sparingly. A drop of oil applied to the bolt assembly components, the pivot points of the trigger mechanism, the safety, the bolt stop, and the magazine latch, will work into all the parts that need lubrication.
5. Reassemble the rifle and carefully wipe all solvent, lubricating and preservative preparations from the stock.



6. If the rifle is to be stored for an extended period, clean the rifle thoroughly. Disassemble to the extent described elsewhere in this manual, taking care to put pins and similar easily mislaid and “rolling” components in a tray. Rewipe all surfaces with preservative oil. Reassemble and store properly.

 <b>WARNING – LUBRICATION</b>	
	<p>Firing a rifle with oil, grease, or any other material even partially obstructing the bore may result in damage to the rifle and serious injury to the shooter and those nearby. Do not spray or apply lubricants directly on ammunition. If the powder charge of a cartridge is affected by the lubricant, it may not be ignited, but the energy from the primer may be sufficient to push the bullet into the bore where it may become lodged. Firing a subsequent bullet onto the obstructed bore may damage the rifle and cause serious injury or death to the shooter and those nearby. Use lubricants properly. You are responsible for the proper care and maintenance of your firearm.</p>
<b>IMPROPER LUBRICATION DESTROYS GUNS</b>	

## STORAGE

**GUNS SHOULD NOT BE STORED LOADED!**

**USE THE LOCKING DEVICE SUPPLIED WITH THE RIFLE FOR STORAGE.  
(SEE PAGE 6)**

Sturm, Ruger also offers gun safes for sale as a means to secure more than one firearm. Please call 1-800-515-7233 for details and ordering information.

*Do not* store the rifle in a leather case or scabbard. Leather attracts moisture, even though it may appear to be dry.


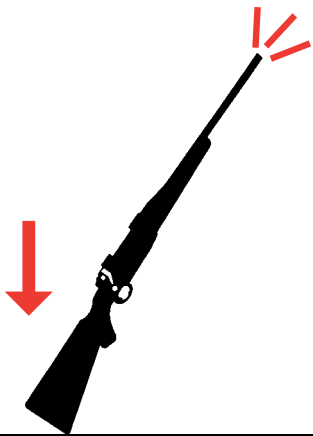
### TO RENDER THE RIFLE INOPERATIVE FOR SAFE STORAGE

With the muzzle pointed in a safe direction, remove the magazine (if applicable), open the bolt, and check the chamber and the magazine to be sure the rifle is completely unloaded! Depress the bolt latch, located at the left rear of the receiver on the right-handed version and the right rear of the receiver on the left-handed version. Now pull the bolt fully to the rear. The bolt will come out the rear of the receiver.

Store the rifle and the bolt in different locations. When disassembled in this manner, the rifle is inoperable. It is impossible to fire the rifle until the bolt has been correctly replaced into the rifle's receiver.

To reassemble the rifle for firing, reinsert the bolt into the receiver from the rear. With the muzzle pointed in a safe direction, close the bolt. Check to be sure that the bolt can be operated fully and freely. The rifle is now reassembled and can be loaded and fired normally.

While the rifle is less likely to be used by unauthorized persons when disassembled in the above manner, it is always safest to store a firearm with the supplied locking device correctly installed, or to store the firearm in a gun safe or other secure location, away from children and unauthorized adults. Guns should always be stored securely, unloaded and separate from their ammunition.

 <b>WARNING – STORAGE</b>	
	<p>Never place or store any firearm in such a manner that it may be dislodged. Firearms should always be stored securely and unloaded, away from children and careless adults. Use the locking device originally supplied with this firearm for storage.</p> <p>The use of a locking device or safety lock is only one aspect of responsible firearms storage. For increased safety, firearms should be stored unloaded and locked in a location that is both separate from their ammunition and inaccessible to children and any other unauthorized person.</p>
<b>STORE SECURELY &amp; UNLOADED</b>	

## MAINTENANCE OF STAINLESS STEEL RIFLES

Firearms and components made of stainless steel are relatively more resistant to corrosion than those of blued steel. However, in the interest of proper operation and long life of a stainless steel firearm, inspect it frequently and clean, lubricate and apply an appropriate rust preventative.

Sometimes discoloration occurs from perspiration or from contact with some types of gun cases. Rusting may occur as a result of the firearm being exposed to moisture, salt air or chemicals.

Minor discoloration can usually be removed by rubbing the stainless area with an abrasive ink eraser, crocus cloth, or a “metal polishing” compound. When using any of these abrasives, proceed with care and use light pressure to achieve a blending of “color” with those areas that are not discolored.

External surfaces most subject to rusting from handling, or from exposure to the elements should be cleaned and wiped dry after use or after exposure to adverse conditions. If the rifle is to be stored, coat it with a light film of oil or preservative. Where the rifle is in continuing use, and the presence of oil or grease would be objectionable, then the external surfaces can be coated (after cleaning and drying) with a paste wax formulated for use on metals. Apply the wax sparingly, allow time for it to dry hard, then buff lightly with a soft cloth. When applying the wax, take care that it does not get into the mechanism or on the functioning parts or in the bore.

## ATTACHING RUGER SCOPE RINGS

Each Ruger telescope ring is a mated assembly of a top and a base. Do not mix the parts of the two ring assemblies as they are not interchangeable. On the underside of each mounting ring assembly there is an integral lug, located off center with respect to the front and back sides of the mount. The lug is nearer to the front surface. By reference to the lug, the mounting ring can be correctly assembled with the front of the ring toward the muzzle of the rifle.

1. Disassemble one ring and reassemble over the scope body between the turret and the eyepiece. Remember - the lug on the base should be on the front side of the scope.
2. Install the four top screws. Do not tighten.
3. Disassemble the other ring and install it on the forward section of the scope tube with the lug forwardly also. Install the four top screws. Again, do not tighten.
4. Assemble the rings to the receiver with the lugs engaging the recesses in the top surface of the receiver. Tighten the clamp nuts so that the rings are locked to the semicircular cuts on the sides of the receiver.
5. Rotate the scope until cross-hairs are aligned properly and slide scope to desired eye relief. Then tighten the eight top screws each a bit at a time to grip the scope body.
6. Sight in according to the directions with your scope.

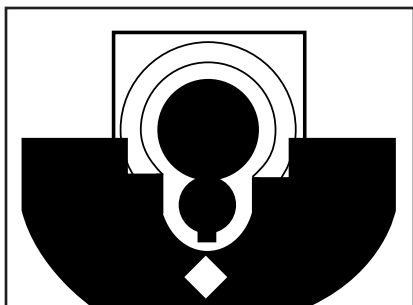
## SIGHT ADJUSTMENT

(For Standard Rifles Equipped With Open Sights)

The folding leaf rear sight is adjustable for elevation and windage. The slide must be moved one graduation to change the point of impact by approximately one inch at 25 yards. Shooting to determine the slide setting for 'zero' at a particular distance should be done from a bench rest and over a measured distance. Use only a small screwdriver with a blade tip that *exactly* fits the screw-head. Loosen the screws only slightly so the slide doesn't move too freely. Move the slide in the direction you want the point of impact of the bullet to move. When the slide is positioned at the desired height, carefully tighten both screws.

Lateral (windage) adjustment is made by “drifting” the sight base in its slot. To move the sight, loosen the slotted screw (in the front section of the base) until the sight can be moved. Place a short brass rod against the sight base (and only the base) and tap the sight in the direction you wish to move the point of impact, then tighten the slotted screw.

**NOTE:** The ‘rule’ of rear sight adjustment is: Move the sight in the direction that you want the point of impact of the bullet to move. As examples, to raise the point of bullet impact, raise the elevation slide (blade). To move the point of bullet impact to the right, move the sight to the right.



#### **SUGGESTED SIGHT PICTURE**

Top of front sight even with top of rear sight slide. Front sight centered in notch of rear sight slide. Target bull's-eye centered on top of front sight.

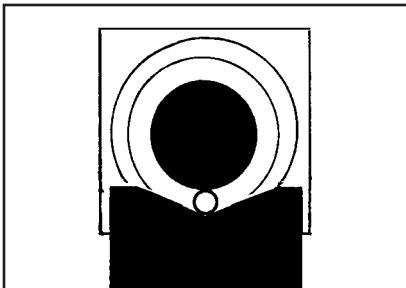
## **SIGHT PICTURE AND ADJUSTMENT FOR MAGNUM AND EXPRESS MODELS ONLY**

Both the Ruger Magnum and Express bolt action rifles are equipped with special Express type folding leaf rear sights mounted on a base dovetailed into the solid barrel rib. The nonfolding leaf is set for approximately 50 yards. Use whichever leaf is appropriate for the type of shooting you anticipate. Changes in elevation can be made by raising or lowering the different sight leaves.

Lateral (windage) adjustment is made by loosening the rear sight base lock screw (located atop the rib immediately behind the rear sight base) and carefully moving the entire base in the direction you wish to move the bullet's point of impact. Tighten the screw securely before shooting the rifle. Repeat as necessary until the rifle is zeroed.

#### **SIGHT PICTURE FOR MAGNUM AND EXPRESS MODEL**

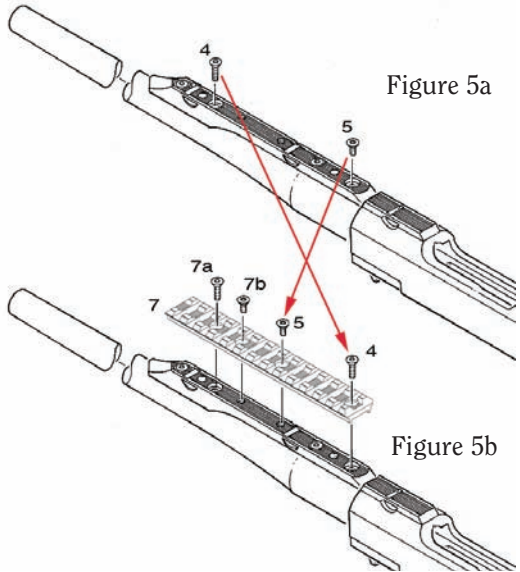
Front sight bead center in V-notch of rear sight. Target placed directly above bead.



# SPECIAL INSTRUCTIONS AND WARNING FOR THE M77<sup>®</sup> MARK II FRONTIER RIFLE

## ATTACHING WEAVER SCOPE BASE ADAPTER (for non-Ruger rings)

1. Remove the two barrel screws (Key Nos. 4 & 5) as shown in Figure 5a. (Do not remove the two remaining screws.)
2. Attach the sight base (Key No. 7) using the two screws removed in step 1, and the two screws (Key Nos. 7a & 7b) provided with the base as shown in Figure 5b. Be careful to locate the screws in the correct holes as shown in Figure 5b. Apply a removable liquid threadlocker per the manufacturer's instructions.



### WARNING – SCOPE MOUNTING



The Ruger M77 Mark II Frontier Rifle is a compact rifle with a shorter stock, chambered for powerful magnum cartridges that generate heavy recoil. If you are going to mount a scope on your Frontier Rifle, **always use the front scope mounting barrel rib to avoid injury from the scope during recoil.**

If you are using a scope, you must use a scope designed with “intermediate eye relief” of from 7 to 15 inches. Consult your scope manufacturer for this information.

**DO NOT MOUNT SCOPE  
ON RECEIVER OF  
M77 MKII FRONTIER RIFLES**

## SERVICE AND PARTS POLICY

If you have any question with regard to the performance of your **RUGER® M77® MARK II** rifle please write or call (603-865-2442) our Product Service Department in Newport, New Hampshire 03773, fully describing all circumstances and conditions involved. If you should return your rifle to the factory for repair, or order parts for it, please comply with the following suggestions for prompt service:



**WARNING: BEFORE SHIPPING ANY FIREARM, BE ABSOLUTELY CERTAIN THAT IT AND ITS MAGAZINE ARE UNLOADED. DO NOT SHIP CARTRIDGES WITH A FIREARM.**

## SHIPPING FIREARMS FOR REPAIR

**RUGER® M77® MARK II** rifles returned to the factory for repair should be sent to: Ruger, Product Service Department, 411 Sunapee Street, Newport, New Hampshire 03773. Telephone (603) 865-2442.

Guns should be sent prepaid. We will not accept collect shipments.

The Federal Gun Control Act, as well as the laws of most States and localities, do not prohibit an individual (who is not otherwise barred from purchasing or possessing a firearm) from shipping a firearm directly to the manufacturer for repair. However, before you ship your rifle to us, be certain that your State or locality does not have a law or regulation which will prohibit you from receiving the rifle from us after it has been repaired. If such receiving is prohibited, then please have a Federally Licensed firearms dealer ship the gun to us. If your rifle is sent to us by a dealer, it will be returned to him after being repaired. If a handgun (pistol or revolver) is shipped by an individual who does not hold a Federal Firearms License, it must be shipped for overnight delivery via U.P.S., Federal Express or other, similar private overnight service. NOTE: Firearms may not be shipped via U.S. Mail. Persons who do not hold a Federal Firearms License are prohibited by Federal law from shipping a handgun by Mail. Handguns mailed in violation of the law are impounded by the Post Office.

**DO NOT SEND GUN BOXES OR LITERATURE THAT YOU CONSIDER TO BE COLLECTOR'S ITEMS – THESE ARE INVARIABLY DAMAGED OR DESTROYED IN SHIPMENT.** Please do not include rifle case, sling, telescopic sights or custom accessories with a firearm being shipped to the factory for service. Rifles and shotguns may be shipped via Parcel Post. Always insure your shipment.

Enclose a letter which includes your name, address, telephone number, serial number and model of the firearm. Describe in detail the trouble you have experienced with your firearm, or the work you wish to have done. Merely stating that the firearm "needs repair" is inadequate information.

Work performed will bear a net minimum labor charge of \$20.00 plus a \$30.00 shipping and handling charge. The charge for rebluing the **M77® MARK II** rifle is \$50.00 plus a \$30.00 shipping and handling charge. Custom gunsmithing service for nonstandard alterations are NOT AVAILABLE from Ruger Product Service Departments.

 <b>WARNING – PARTS PURCHASERS</b>	
	It is the purchaser's responsibility to be absolutely certain that any parts ordered from the factory are correctly fitted and installed. Firearms are complicated mechanisms and <b>IMPROPER FITTING OF PARTS MAY RESULT IN A DANGEROUS MALFUNCTION, DAMAGE TO THE FIREARM, AND SERIOUS INJURY TO THE SHOOTER AND OTHER PERSONS.</b> The purchaser and installer of parts must accept full responsibility for the correct adjustment and functioning of the rifle after such installation.
	<b>PARTS MUST FIT CORRECTLY</b>

## ORDERING PARTS

Please contact the New Hampshire Product Service Department for parts availability and current prices. All parts orders for the **RUGER® M77® MARK II** should be sent to: Ruger, Product Service Department, 411 Sunapee Street, Newport, New Hampshire, 03773, 603-865-2442. We cannot comply with open account or C.O.D. requests. Payment in the form of a money order, Visa or Mastercard must accompany your order. Credit Card orders must include the account number, expiration date and whether it is a Visa or Mastercard account. Minimum parts order is \$1.00 plus a \$3.50 shipping and handling charge. Order parts by Part Number and Part Name and include the entire serial number of the firearm for which the parts are being ordered. There is a minimum net labor charge of \$20.00 plus \$30.00 shipping and handling if the parts are factory fitted. All factory-fitted parts are fitted on an exchange basis only. We will not return the replaced parts.

Because the receiver of the **M77® MARK II** rifle is a serial numbered component, it is defined as a "firearm" by Federal law and is not sold as a separate component.

\*Parts designated by an asterisk must be factory fitted. These parts are fitted on an exchange basis only. We will not return the replaced parts. We will not return any part that is broken, malfunctioning, badly worn or has been modified. See "Warning — Parts Purchasers," above.



**CAUTION: Firearm users are cautioned that a gun containing modified, broken, malfunctioning, or badly worn parts should not be fired.**

# RUGER® M77® MARK II RIFLE

## PARTS LIST

Design, prices and specifications subject to change without notice.

SPECIFY MODEL AND CALIBER WHEN ORDERING

(See Exploded Views on Pages 38 - 41)

<b>Part Name</b>	<b>Part No.</b>	<b>Model</b>
* Barrel - Blued	0D8014	Standard, Ultra Light, Left-handed - Blued Models
* Barrel - Stainless	K0D8014	Ultra Light, Left-handed, Sporter - Stainless Models
* Barrel - Blued	0D8080	Magnum
* Barrel - Blued	0D8055	Express
* Barrel - Blued	0D8004	International
* Barrel - Stainless	K0D8062	Target
* Barrel - Blued	0D8085	Compact
* Barrel - Stainless	K0D8085	Compact
Barrel Band, Not Illustrated	D-66	Magnum 416 Rigby
Barrel Band, Not Illustrated	D06602	Magnum 375 H & H
* Bolt Assembly, Complete - Blued	70011	All Blued Models
* Bolt Assembly, Complete - Stainless	70010	All Stainless Models
Bolt Stop - Blued	D-53	All Blued Models
Bolt Stop - Stainless	KD-53	All Stainless Models
Bolt Stop Plunger	D-56	All Blued Models
Bolt Stop Plunger	KD-56	All Stainless Models
Bolt Stop Plunger Spring	D-57	All Models
Bolt Stop Plunger Spring Retaining Pin	D-59	All Blued Models
Bolt Stop Plunger Spring Retaining Pin	KD-59	All Stainless Models
Bolt Stop Stud Bushing	D-55	All Blued Models
Bolt Stop Stud Bushing	KD-55	All Stainless Models



<b>Part Name</b>	<b>Part No.</b>	<b>Model</b>
Bolt Stop Stud Screw - Blued Models	D-54	Standard, Ultra Light, Left-handed, Express, Magnum, International, Compact
Bolt Stop Stud Screw - Stainless Models	KD-54	Ultra Light, Left-handed, Sporter, Compact
Bolt Stop Stud Screw	KD-54T	Target
Center Mounting Screw	D04700	All Blued Models
Center Mounting Screw	KD04700	All Stainless Models
Cocking Piece, Not Illustrated - Blued	D01801	Standard, Ultra Light, Express, Magnum, International, Compact
Cocking Piece, Not Illustrated - Stainless	KD01801	Ultra Light, Sporter, Compact
Cocking Piece, Not Illustrated	D01803	Left-handed - Blued Model
Cocking Piece, Not Illustrated	KD01803	Left-handed - Stainless Model
Cocking Piece, Not Illustrated	KD01801T	Target
Ejector - Blued	D00803	All Blued Models
Ejector - Stainless	KD00803	All Stainless Models
Ejector Pivot Pin	KD09000	All Models
Ejector Spring	KD00900	All Models
Escutcheon, Not Illustrated	D05100	Magnum
Extractor	KD01434	All Models
Extractor Band	KD-15	All Models except Target Model
Extractor Band	KD-15T	Target
Ferrule, Left Side, 3 Req'd	W01015	Standard & Ultra Light Models with Synthetic Stock
Ferrule, Right Side, 3 Req'd	W01014	Standard & Ultra Light Models with Synthetic Stock
Firing Pin Assembly - Blued	D21102	All Blued Models except Left-handed Model
Firing Pin Assembly - Stainless	KD21102	All Stainless Models except Left-handed Model
Firing Pin Assembly - Blued	D21105	Left-handed - Blued Model
Firing Pin Assembly - Stainless	KD21105	Left-handed - Stainless Model
Firing Pin Cross Pin	D-19	All Models
Firing Pin Spring	D-135	All Models
Floor Plate	D00501	Magnum

<b>Part Name</b>	<b>Part No.</b>	<b>Model</b>
Floor Plate Assembly - Alloy, Long Action	D20511	Express
Floor Plate Assembly - Satin Finish, Long Action	KD20511	All Models with Laminated Stocks
Floor Plate Assembly - Aluminum - Blued	D20506	Standard, Ultra Light, Left-handed, International, Compact - Blued Models
Floor Plate Assembly - Aluminum - Clear	D20503	Ultra Light, Left-handed, Target, Sporter, Compact - Stainless Models
Floor Plate Hinge - Blued Models	D-7	Standard, Ultra Light, Left-handed, Express, Magnum, International, Compact
Floor Plate Hinge - Stainless Models	KD-7	Ultra Light, Left-handed, Sporter, Compact
Floor Plate Hinge	KD-7T	Target
Floor Plate Latch - Blued Models	D03100	Standard, Ultra Light, Left-handed, Express, Magnum, International, Compact
Floor Plate Latch - Stainless Models	KD03100	Ultra Light, Left-handed, Sporter, Compact
Floor Plate Latch	KD03100T	Target
Floor Plate Pivot Pin	D-6	All Blued Models
Floor Plate Pivot Pin	KD-6	All Stainless Models
Forearm Insert, Right Side, Black Plastic	J00430	Standard & Ultra Light Models with Synthetic Stock
Forearm Insert, Left Side, Black Plastic	J00431	Standard & Ultra Light Models with Synthetic Stock
Forearm Insert, Right Side, Wood	J00411	Standard & Ultra Light Models with Synthetic Stock
Forearm Insert, Left Side, Wood	J00412	Standard & Ultra Light Models with Synthetic Stock
Front Mounting Screw	D04601	All Blued Models
Front Mounting Screw	KD04601	All Stainless Models
Front Sight Base - Blued	D06502	International
Front Sight Base - Blued	D06507	Express
Front Sight Base - Blued	S06502	Magnum
Front Sight Base - Stainless	KS06500	Stainless Models w/Sights
Front Sight Base Set Screw	D-70	Standard & Sporter Models w/Sights, Express, Magnum, International
Front Sight Blade Assembly	D06702A	Standard & Sporter Models w/Sights, International
Front Sight Blade Assembly	D06709A	Express
Front Sight Blade Assembly	S06702A	Magnum

<b>Part Name</b>	<b>Part No.</b>	<b>Model</b>
Front Sight Plunger Spring	D-69	Standard & Sporter Models w/Sights, Express, Magnum, International
Front Sight Retainer Plunger	D-68	Standard & Sporter Models w/Sights, Express, Magnum, International
Front Sling Swivel Screw	S-86B	Standard, Ultra Light, Left-handed, Target, Sporter, Compact
Front Sling Swivel Screw	D-75A	Express, Magnum
Front Sling Swivel	KJ00420	Standard & Ultra Light Models with Synthetic Stock
Front Sling Swivel Pin	KJ00422	Standard & Ultra Light Models with Synthetic Stock
Insert Screw, Rear, Black Plastic	KD00491	Standard & Ultra Light Models with Synthetic Stock
Insert Screw, Front, Black Plastic	KD00490	Standard & Ultra Light Models with Synthetic Stock
Magazine Box	D22703	Magnum
Magazine Box - Long Action	D22707	Specify Model & Caliber
Magazine Box - Short Action	D22700	Specify Model & Caliber (except 22/250)
Magazine Box - Short Action	D22710	22/250 Caliber Only
Magazine Follower	KD03004	Magnum
Magazine Follower, with tab - Long Action	KD03023	Specify Model & Caliber
Magazine Follower, with tab - Short Action	KD03025	Specify Model & Caliber (except 22/250)
Magazine Follower - Short Action	D-147	22/250 Caliber Only
Magazine Latch Spring	D-32	All Models
Magazine Spring - Short Action	D-149	22/250 Caliber Only
Magazine Spring	D-148	All Models except 22/250 Caliber
Pistol Grip Cap - Plastic	D08003	Standard, Express, Ultra Light, Left-handed, International, Sporter, Compact
Pistol Grip Cap - Steel	S-97	Magnum
Pistol Grip Cap Medallion	D-82	Standard, Express, Ultra Light, Left-handed, International, Sporter, Compact
Pistol Grip Cap Medallion - Brass	S-61	Magnum
Pistol Grip Cap Screw	C-96SM	Standard, Express, Ultra Light, Left-handed, International, Sporter, Compact
Pistol Grip Cap Screw	S-36	Magnum
Pistol Grip Insert, Right Side, Black Plastic	J00428	Standard & Ultra Light Models with Synthetic Stock
Pistol Grip Insert, Left Side, Black Plastic	J00429	Standard & Ultra Light Models with Synthetic Stock

<b>Part Name</b>	<b>Part No.</b>	<b>Model</b>
Pistol Grip Insert, Right Side, Wood	J00409	Standard & Ultra Light Models with Synthetic Stock
Pistol Grip Insert, Left Side, Wood	J00410	Standard & Ultra Light Models with Synthetic Stock
Pistol Grip Insert Screw	KW01300	Standard & Ultra Light Models with Synthetic Stock
Plunger Latch Spring	SC-41	Target
Rear Mounting Screw	D04800	Standard, Ultra Light, Left-handed, International, Compact - Blued Models
Rear Mounting Screw	KD04800	Ultra Light, Left-handed, Sporter, Compact - Stainless Models
Rear Mounting Screw	D04802	Express, Magnum
Rear Mounting Screw	KD04800T	Target
Rear Sight, Complete	D-77	Standard & Sporter Models with Sights, International
* Rear Sight, Complete	D07707	Express
* Rear Sight, Complete	D07702	Magnum
Rear Sight Clamp Screw, 2 Req'd	D-64	Standard & Sporter Models with Sights, Express, Magnum, International
Rear Sight Williams Gib Lock Clamp, 2 Req'd	D-83	Standard & Sporter Models with Sights, Express, Magnum, International
Rear Sling Swivel	KJ00421	Standard & Ultra Light Models with Synthetic Stock
Rear Sling Swivel Pin	KJ00423	Standard & Ultra Light Models with Synthetic Stock
Rear Sling Swivel Stud	S-87	All Models
Recoil Pad	D06304	All Models except Stainless
Recoil Pad	OU06308	Stainless Models
Recoil Pad, with Spacer & Insert	D06315	Old Synthetic Stock Models
Recoil Pad Screw, 2 Req'd	D-84	All Models
Recoil Pad Screw, 2 Req'd	B-91	Standard & Ultra Light Models with Synthetic Stock
Recoil Plate Assembly, Not Illustrated	D29204	Magnum
Recoil Plate Mounting Screw, Not Illustrated	D-75	Magnum
* Safety Selector - Blued Models	J03800	Standard, Express, Magnum, Ultra Light, International, Compact
* Safety Selector - Stainless Models	KJ03800	Ultra Light, Target, Sporter, Compact
* Safety Selector	D03802	Left-handed - Blued Models
* Safety Selector	KD03802	Left-handed - Stainless Models
Safety Selector Detent	J04300	All Models
Safety Selector Detent Spring	D-32	All Models

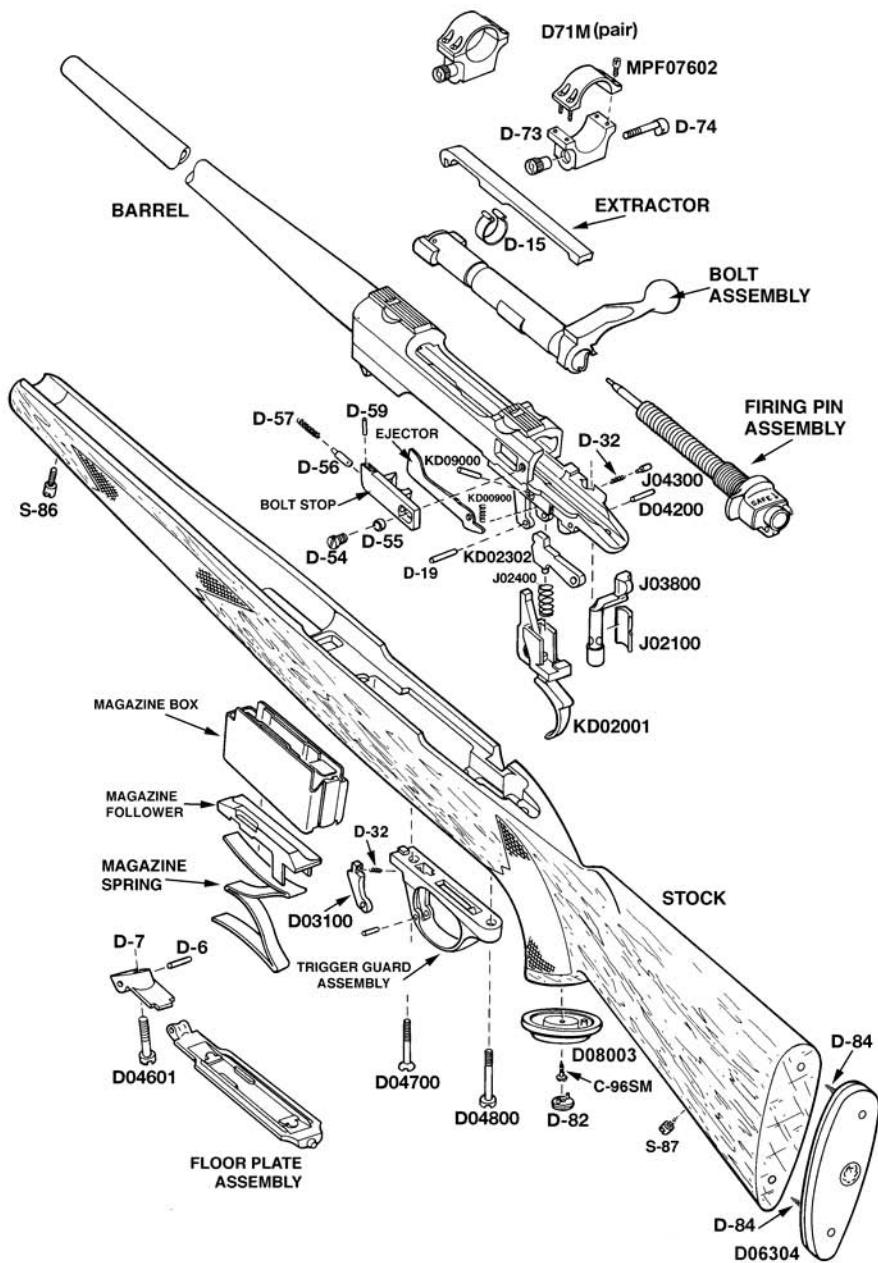
<b>Part Name</b>	<b>Part No.</b>	<b>Model</b>
* Safety Selector Retainer - Blued Models	J02100	Standard, Express, Magnum, Ultra Light, International, Compact
* Safety Selector Retainer - Stainless Models	KJ02100	Ultra Light, Target, Sporter, Compact
* Safety Selector Retainer	D02101	Left-handed - Blued Models
* Safety Selector Retainer	KD02101	Left-handed - Stainless Models
Scope Base Clamp	D-74	All Blued Models
Scope Base Clamp	KD-74M	All Stainless Models
Scope Base Nut	D-73	All Blued Models
Scope Base Nut	KD-73M	All Stainless Models
Scope Base Torx <sup>®</sup> Head Screw, 8 Req'd	MPF07602	All Blued Models
Scope Base Torx <sup>®</sup> Head Screw, 8 Req'd	KMPF07602	All Stainless Models
Scope Rings, Medium rings, Accommodates 42mm Lens	D71M	All Blued Models
Scope Rings, Medium rings, Accommodates 42mm Lens	KD71M	All Stainless Models
Scope Rings, Medium rings, Gray Stainless	KD71HTG	Target
* Sear	KD02302	All Models Except Target Model
* Sear	KD02306	Target
Sear Pivot Pin	D04200	All Models
Stock Assembly, Walnut	D00408	Standard, Ultra Light
Stock Assembly, Old Style Synthetic, Complete with Plastic Inserts	D20410	Standard, Ultra Light
Stock Assembly, Synthetic, Full Contour	D30436	Standard, Ultra Light
Stock Assembly, Laminated	D00477	Sporter
Stock Assembly, Laminated	D00450	Left-handed - Stainless Models
Stock Assembly, Walnut	D00461	Left-handed - Blued Models
* Stock Assembly, Circassian Walnut	D20486	Express
* Stock Assembly, Circassian Walnut	D20488	Magnum
Stock Assembly, Walnut Manlicher	D00462	International
Stock Assembly, Laminated	D00495	Target

<b>Part Name</b>	<b>Part No.</b>	<b>Model</b>
Stock Assembly, Walnut	D00443	Compact - Blued Models
Stock Assembly, Black Laminated	D00444	Compact - Stainless Models
Stock Cross Bolt, Not Illustrated	D-91	Magnum
Stock Cross Bolt Nut, Not Illustrated	D-90	Magnum
Take Down Screw, Not Illustrated	B-65	Magnum
Torx® Key Wrench, Not Illustrated (for scope base Torx® Head Screw)	MPP07601	All Models
* Trigger	KD02001	Standard, Express, Ultra Light, International, Sporter, Compact
* Trigger	KD02005	Magnum
* Trigger	KD02007	Left-handed
* Trigger, Primary	KD02017	Target
* Trigger, Secondary	KD02019	Target
Trigger Adjustment Screw (weight of pull)	D02202	Target
Trigger Adjustment Spring	D04901	Target
Trigger Guard Assembly	D20201	Standard, Ultra Light, International, Compact - Blued Models
Trigger Guard Assembly	KD20201	Ultra Light, Target, Sporter, Compact - Stainless Models
Trigger Guard Assembly	D20202	Express, Magnum, Left-handed
Trigger Guard Assembly	KD20202	Left-handed - Stainless Models
Trigger Overtravel/Sear Engagement Screw, 2 Req'd	D02201	Target
Trigger Pivot Pin	D-19	All Models
Trigger/Sear Spring	J02400	All Models Except Target Model
Trigger/Sear Spring	D02401	Target
Trigger Spring Seat	KD02021	Target

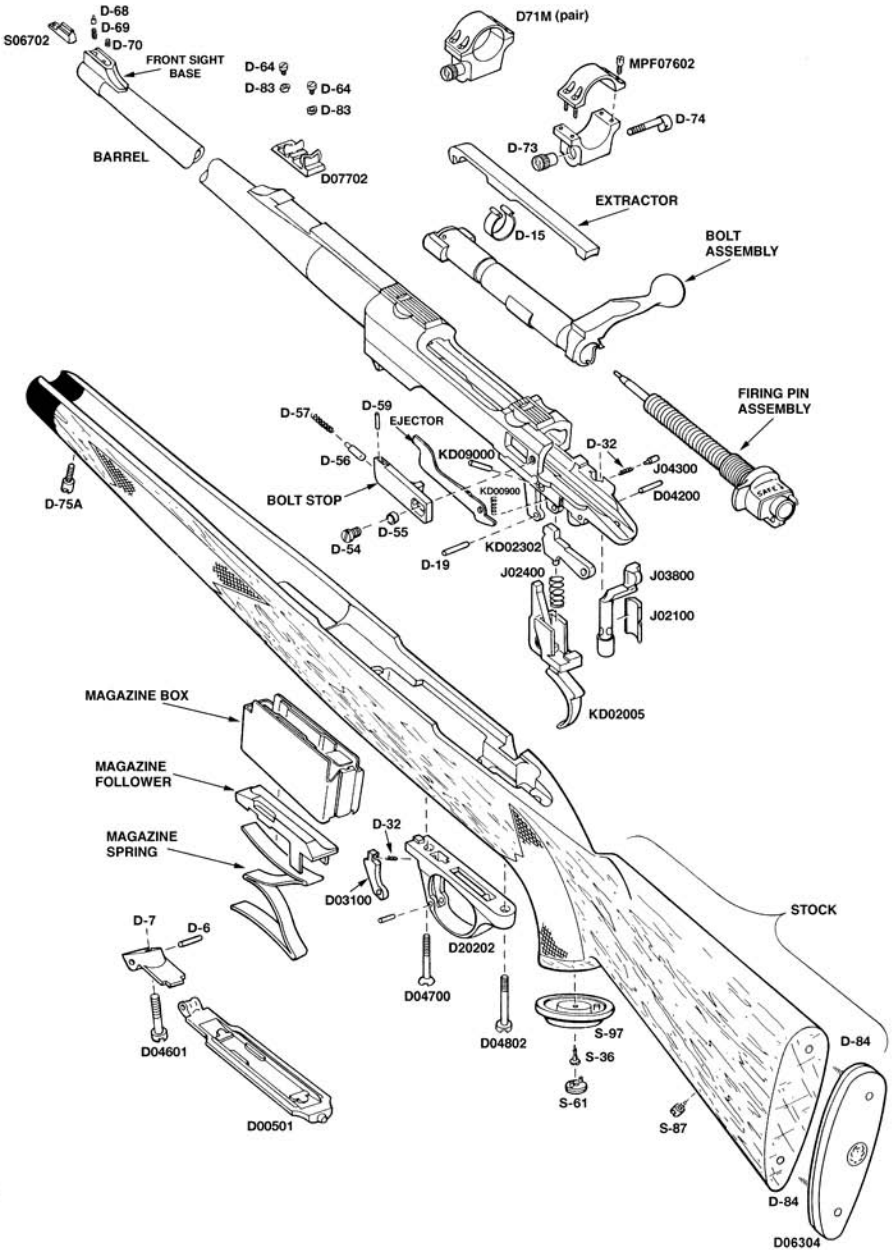
\* PARTS SO MARKED MUST BE FITTED

# RUGER® M77® MARK II RIFLE

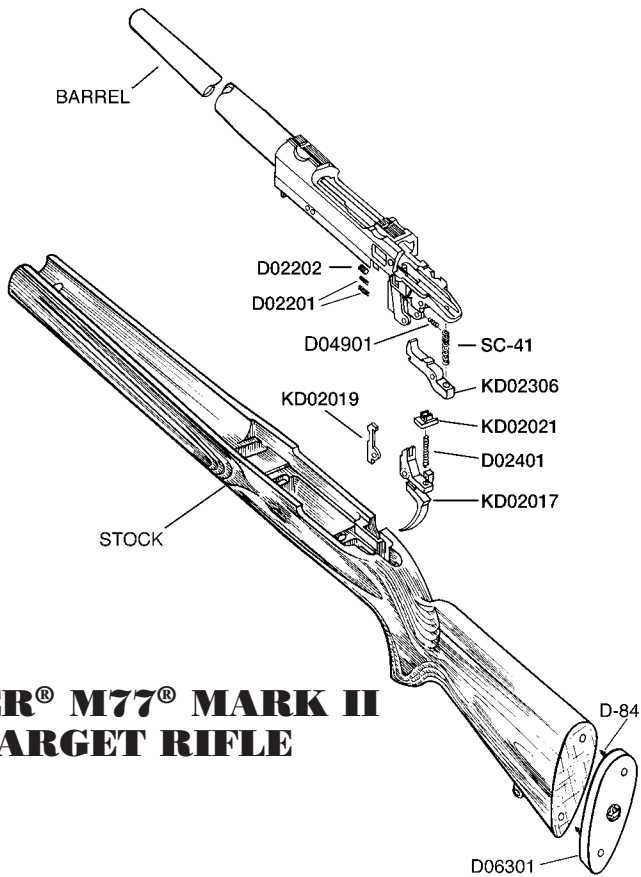
## EXPLODED VIEW



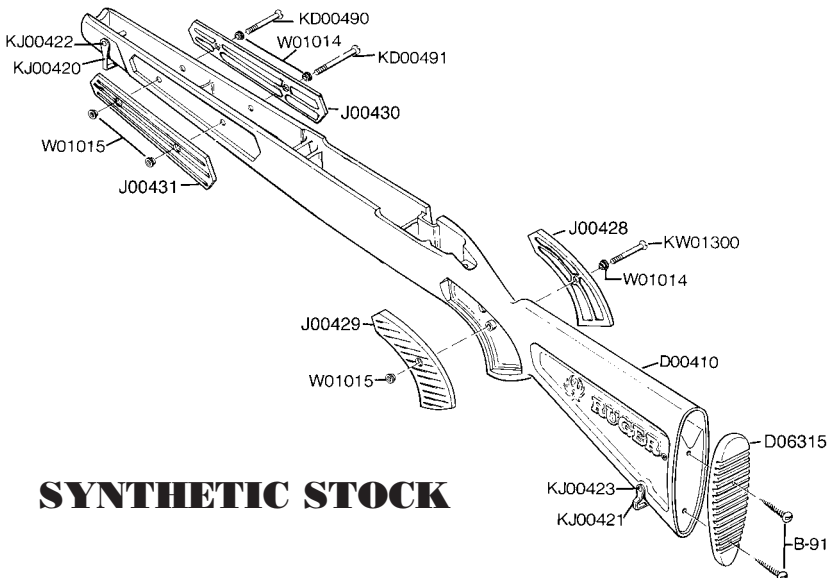
# RUGER® M77® MARK II MAGNUM EXPLODED VIEW







## RUGER® M77® MARK II TARGET RIFLE

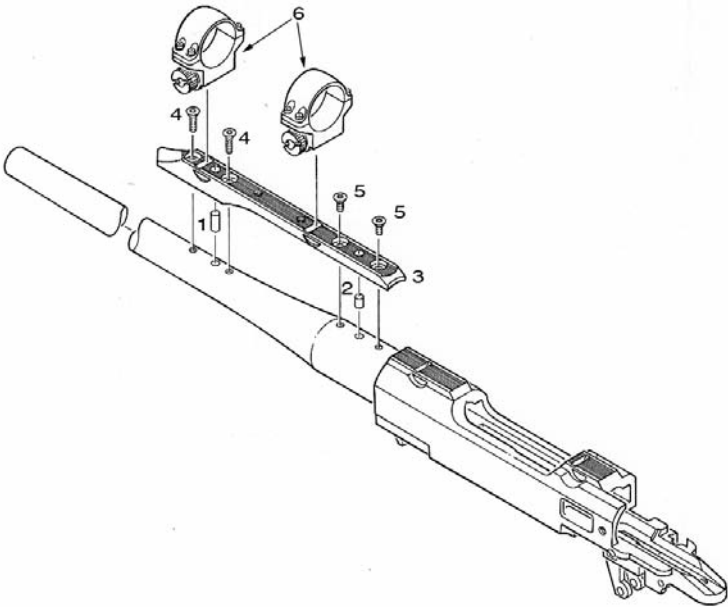


## SYNTHETIC STOCK

# RUGER® M77® MARK II FRONTIER RIFLE COMPONENT PARTS LIST

(See Exploded View on Page 38 for Other Parts)

Key No.	Part Name	Part No.
1	Barrel Rib Dowel, Front	S-152
2	Barrel Rib Dowel, Rear	S-151
3	Barrel Rib	D01330
4	Barrel Rib Screws, 2 Req'd	S-138
5	Barrel Rib Center Screws, 2 Req'd	D06101
6	Scope Rings, Low, Sold as Pair	S100RL
7	Scope Base Adapter (Includes Key Nos. 7a & 7b)	D08800
7a	Scope Base Screw, Front	D06102
7b	Scope Base Screw, Rear	D06101



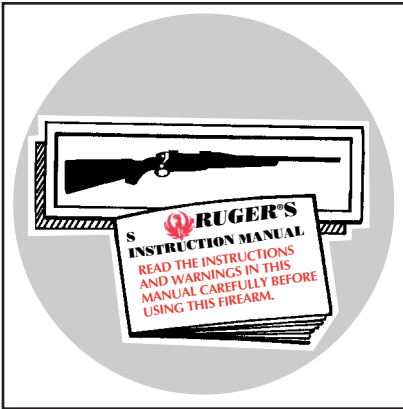
# THE BASIC RULES OF SAFE FIREARMS HANDLING

We believe that Americans have a right to purchase and use firearms for lawful purposes. The private ownership of firearms in America is traditional, but that ownership imposes the responsibility on the gun owner to use his firearms in a way which will ensure his own safety and that of others. When firearms are used in a safe and responsible manner, they are a great source of pleasure and satisfaction, and represent a fundamental part of our personal liberty.

Firearms do not cause accidents! Firearms accidents are almost always found to have been the result of carelessness, or ignorance on the part of the shooter of the basic rules of safe gun handling.

The following rules must be observed by gun users at all times. Safe gun handling is not just desirable, it is absolutely essential to your safety, the safety of others, and the continuation of gun ownership and sport shooting as we know it today.

## 1. LEARN THE MECHANICAL AND HANDLING CHARACTERISTICS OF THE FIREARM YOU ARE USING.



Not all firearms are the same. The method of carrying and handling firearms varies in accordance with the mechanical provisions for avoiding accidental discharge and the various proper procedures for loading and unloading. No person should handle any firearm without first having thoroughly familiarized himself with the particular type of firearm he is using, and with safe gun handling in general.

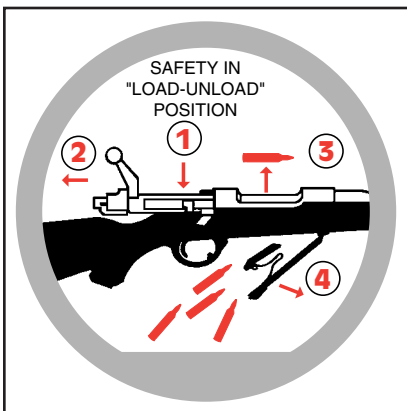
## 2. ALWAYS KEEP THE MUZZLE POINTED IN A SAFE DIRECTION.



Be sure of the bullet stop behind your target, even when dry-firing. Never let the muzzle of a firearm point at any part of your body or at another person. This is particularly important when loading or unloading a firearm. In the event of an accidental discharge, no injury can occur as long as the muzzle is pointing in a safe direction. A safe direction means a direction which will not permit a discharged bullet to strike a person, or to strike an object from which the bullet may ricochet.

A safe direction must take into account the fact that a bullet may penetrate a wall, ceiling, floor, window, etc., and strike a person or damage property. Make it a habit to know exactly where the muzzle of your gun is pointing whenever you handle it, and be sure that you are always in control of the direction in which the muzzle is pointing, even if you fall or stumble. Keep your finger off the trigger until you are ready to shoot.

### 3. FIREARMS SHOULD BE UNLOADED WHEN NOT IN USE.

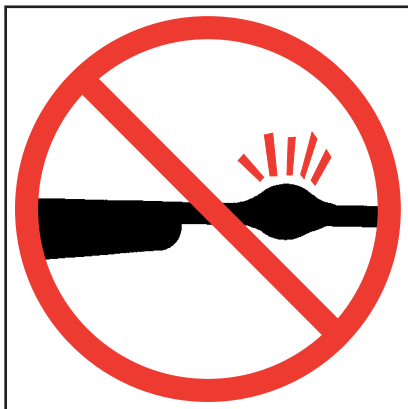


Firearms should be loaded only when you are in the field or on the target range or shooting area, ready to shoot. Firearms and ammunition should be securely locked in safes, racks or cabinets, or by using the locking device supplied with the firearm, when not in use. Ammunition should safely be stored separate from firearms. Store your firearms out of sight of visitors and children. It is the gun owner's responsibility to be certain that children and persons unfamiliar with firearms cannot gain access to firearms, ammunition, or components.

### 4. BE SURE THE BARREL IS CLEAR OF OBSTRUCTIONS BEFORE SHOOTING.

Even a bit of mud, snow or excess lubricating oil or grease in the bore may cause the barrel to bulge, or even burst on firing, and can cause serious injury to the shooter and bystanders. Be sure that you are using ammunition of the proper caliber and loading for the gun you are using. If the report or recoil on firing seems weak, or doesn't seem quite right, **CEASE FIRING IMMEDIATELY**, unload your firearm, and check to be sure that no obstruction has become lodged in the barrel.

Never try to shoot out an obstruction!





## 5. BE SURE OF YOUR TARGET BEFORE YOU SHOOT.

Don't shoot unless you know exactly where your bullet is going to strike. Be sure of the bullet stop behind your target, even when dry-firing with an unloaded gun. If you are in the field hunting, do not fire at a movement or noise. Take the time to be absolutely certain of your target before you pull the trigger.

## 6. WEAR SHOOTING GLASSES AND HEARING PROTECTORS WHEN YOU SHOOT.

All shooters should wear protective shooting glasses and adequate hearing protectors when shooting. Exposure to shooting noise can damage hearing, and adequate eye protection when shooting is essential.



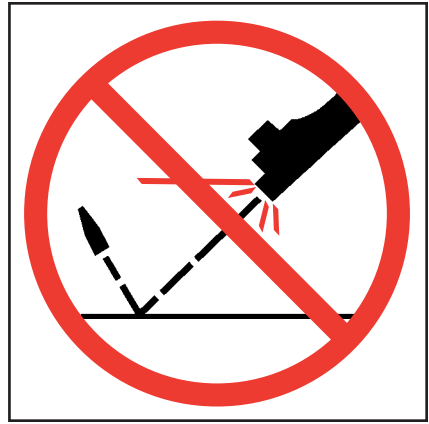
## 7. NEVER CLIMB A TREE OR FENCE WITH A LOADED FIREARM.

Put the firearm down carefully before climbing a fence, and unload it before climbing or descending a tree or jumping over a ditch or other obstruction. Never pull or push a loaded firearm toward yourself or another person. When in doubt, or whenever you are about to do anything awkward, unload your gun!



## 8. DON'T SHOOT AT A HARD SURFACE, OR AT WATER.

Bullets can glance off many surfaces like rocks or the surface of water and travel in unpredictable directions with considerable velocity.



## 9. NEVER TRANSPORT A LOADED FIREARM.

Firearms should always be unloaded before being placed in a vehicle. A suitable carrying case or scabbard should be used to carry an unloaded firearm to and from the shooting area.

## 10. AVOID ALCOHOLIC BEVERAGES WHEN SHOOTING.

Don't drink until the day's shooting is over. Handling firearms while under the influence of alcohol in any form, or medications that could affect your judgement or coordination, constitutes a criminal disregard for the safety of others.



## A BRIEF ACCOUNT OF AN EXTRAORDINARY ACHIEVEMENT: RUGER FIREARMS

Sturm, Ruger & Company, Inc., had its beginning in a small machine shop occupying a rented frame building in Southport, Connecticut. In January, 1949, with an initial investment of only \$50,000 and an idea, William B. Ruger and Alexander M. Sturm started production of a .22 caliber autoloading pistol—a design which was so successful that it became the cornerstone upon which one of the most comprehensive lines of sporting firearms ever made in America was established. After Alex Sturm's death in 1951, William B. Ruger continued to direct the Company until his death in 2002. William B. Ruger, Jr. continued to provide guidance, which helped make this Company a sound and successful enterprise, until his retirement in 2006. The Company has continued to prosper, under new management and guidance from our Board, with new products and fresh perspectives.

Ruger, in this relatively short time, has established itself as a leading small arms design organization, developing a unique and broad line of fine quality sporting, military and police firearms to become one of the world's most famous producers of revolvers, pistols, rifles and shotguns. Since 1949 Ruger craftsmen have built many millions of firearms.

During its five decades of growth and progress under the leadership of William B. Ruger, the Company developed a business philosophy and implemented policies which represent a constructive influence in the life of modern America. From the beginning, Ruger played a positive role in conservation efforts and has supported the interests of shooters through such groups as the National Rifle Association, National Shooting Sports Foundation, and many regional sportsmen's organizations.

The Company has always endeavored to market its firearms for constructive and recreational purposes, to emphasize the traditional aspects of shooting, to render meaningful public services and to encourage shooters in constructive, responsible, and safe participation in the shooting sports. Its motto, "Arms Makers For Responsible Citizens," exemplifies this Company philosophy.

Today, Ruger is particularly mindful of those elements which have contributed to the creation of its success, and extends heartfelt thanks to its many loyal employees and customers.

A current catalog of Ruger firearms is available free upon request to  
Ruger, Southport, CT 06890

## WHY NO WARRANTY CARD HAS BEEN PACKED WITH THIS NEW RUGER FIREARM

The Magnuson-Moss Act (Public Law 93-637) does not require any seller or manufacturer of a consumer product to give a written warranty. It does provide that if a written warranty is given, it must be designated as "limited" or as "full" and sets minimum standards for a "full" warranty. Sturm, Ruger & Company, Inc. has elected not to provide any written warranty, either "limited" or "full", rather than to attempt to comply with the provisions of the Magnuson-Moss Act and the regulations issued thereunder. There are certain implied warranties under state law with respect to sales of consumer goods. As the extent and interpretation of these implied warranties varies from state to state, you should refer to your state statutes. Sturm, Ruger & Company wishes to assure its customers of its continued interest in providing service to owners of Ruger firearms.



**STURM, RUGER & Company, Inc.**  
**Southport, Connecticut 06890 U.S.A.**  
**[www.ruger.com](http://www.ruger.com)**

**Arms Makers For Responsible Citizens®**

**A COPY OF THE INSTRUCTION MANUAL FOR ANY RUGER  
FIREARM IS AVAILABLE FROM THE FACTORY FREE ON REQUEST, OR IT MAY  
BE DOWNLOADED FROM OUR WEBSITE AT [WWW.RUGER.COM](http://WWW.RUGER.COM).  
THESE INSTRUCTION MANUALS CONTAIN IMPORTANT  
WARNINGS WHICH MUST BE UNDERSTOOD  
BEFORE USING THESE FIREARMS.**

"Ruger 10/17," "22/45," "Model 96," "P90," "P91," "P93," "P94," "P95," "P97," "Ruger P345," "P345D," "Mark III," "P345PR," and "Super Redhawk Alaskan" are RUGER TRADEMARKS. "RUGER," THE STURM, RUGER LOGO, "AC-556," "Arms Makers For Responsible Citizens," "10/22," "All-Weather," "Bearcat," "Bisley," "Blackhawk," "Gold Label," "GP100," "Hawkeye," "M77," "Mini Thirty," "Mini-14," "Old Army," "P85," "Redhawk," "Ruger Titanium," "Ruger 77/17," "Ruger 77/22," "Ruger 77/44," "Ruger 77/50," "Ruger SP101," "Ruger Vaquero," "Security-Six," "Service-Six," "Single Six," "Speed-Six," the "SR" Design and "Target Grey" are REGISTERED U.S. TRADEMARKS. "DEERFIELD" is a registered trademark of Blount, Inc. "The Frontier" is a registered trademark of new Colt Holding Corp.