

USER MANUAL

Tisas Pistols



• **FATiH 13** (.380 ACP Single/Double Action)



Come shoot the quality.

Zenith Firearms, an American importer of high quality firearms and accessories, is a proud distributor of Tisas firearms.



WARNING

Please read this user manual carefully before using the firearm.

WARNING

Do not use this firearm until you fully understand all of the safety instructions and handling procedures.

NOTE

Should you require further information, please call a Zenith Firearms representative at 434.202.7790.

INDEX

1. GENERAL WARNINGS	3
2. SAFETY GUIDELINES	3
3. BEFORE USING YOUR PISTOL.....	8
4. PARTS OF THE TISAS FATİH 13 MODEL PISTOL.....	10
5. OVERVIEW OF SAFETY MECHANISMS	11
6. LOADING	12
7. FIRING.....	13
8. UNLOADING	15
9. DECOCKING THE HAMMER.....	16
10. TROUBLESHOOTING.....	17
11. DISASSEMBLY & ASSEMBLY	20
12. CLEANING	22
13. PARTS DESCRIPTION (FATİH 13)	24
14. EXPLODED DRAWING (FATİH 13).....	25
15. WARRANTY	26

1. GENERAL WARNINGS

- Read this user manual carefully before using the product.
- Do not use any firearm before reading the safety rules and maintenance instructions.
- Obey the laws in your country referring to firearms purchasing, carrying and use.

All firearms are dangerous. Zenith Firearms and Tisas are not responsible for any damage that results from the improper use of your firearm.

2. ESSENTIAL FIREARM SAFETY GUIDELINES

These firearm safety guidelines have been prepared by Zenith Firearms, based upon currently available information. They are provided to you as a courtesy and in the interest of furthering safety. These guidelines are not comprehensive, nor do they modify or replace rules, recommendations, standards, or regulations made by legal authorities or manufacturers.

As a responsible firearms supplier, Zenith believes that no issue is more important than firearm safety. We urge you to learn and practice the following guidelines and to make them your habit when handling firearms. This will help ensure safe handling of your firearm(s) and help prevent accidents. We also encourage you to complete an approved firearms safety-training course.

THE 3 CARDINAL FIREARMS SAFETY RULES

1. Always handle a firearm as if it is loaded

Even if you determine that a firearm is unloaded, always, always, always handle it like it IS loaded. When you handle a firearm, the first thing you should do (with the firearm pointed in a safe direction), is open the action to identify whether the firearm is loaded. If you do not know how to open the action, do not handle the firearm. And remember, removing a magazine alone does not make a firearm unloaded, as there may be a round in the chamber.

2. Always keep your finger out of the trigger guard and off the trigger until you are ready to shoot your target

Do not place your finger inside the trigger guard until you have placed a firearm's sights on your target and have decided to fire. The best place to rest your finger in the meantime is above the trigger guard along the frame. By waiting until you are aimed at your target, if the trigger were to be pressed, you will guarantee that a shot will travel safely in the direction of your intended target.

3. Always keep a firearm pointed in a safe direction, before and beyond your target

It is important to identify your actual target, but it is just as important to know what lies past and before your target. A safe direction is any direction where an unintentional discharge or miss will not cause injury or damage. In determining a safe direction, remember that

a round can ricochet off an object like a floor, water or wall, or go through walls, floors, ceilings, and windows. Whether in a house or outdoors, the safest direction is the muzzle angled down toward the floor. And never point at or cross the muzzle of a firearm (loaded or unloaded) at any part of any person's body—the laser rule!

ADDITIONAL FIREARMS AND AMMUNITION RULES

ALWAYS KEEP CHILDREN AND OTHERS SAFE BY STORING FIREARMS SECURE AND AWAY FROM UNAUTHORIZED PERSONS

You should always store firearms and ammunition out of the sight and reach of children and anyone else who is not an intended user or not physically or mentally capable of handling and using them properly and safely. Store firearms in a safe storage place – ideally, one you can lock.

CAREFULLY READ THE ENTIRE INSTRUCTION MANUAL THAT COMES WITH YOUR FIREARM

You should only use a firearm if you fully understand how to safely operate it. All firearms come with an instruction manual created by the manufacturer. If the firearm does not come with an instruction manual, contact the manufacturer directly and request one.

ALWAYS DETERMINE THAT THE FIREARM IS SAFE TO OPERATE

Before shooting, make sure the firearm is in good working order, that the barrel is clear, and that the firearm is safe to operate. This is especially important when handling a firearm that has been stored or unused for a long period of time.

ALWAYS USE CORRECT AMMUNITION

Never use improper or incorrect ammunition. Only use ammunition that is recommended by the firearm manufacturer the caliber of your firearm. Most firearms have the caliber engraved or stamped on the barrel. Your ammunition should have the exact same caliber. If you use the incorrect ammunition, it can destroy a firearm and cause serious injury. Additionally, it voids your warranty.

WHEN CLEANING A FIREARM, MAKE SURE IT IS NOT LOADED

One of the most common statements following an accidental discharge is: "I was cleaning the firearm and it went off!" When you clean a firearm, make sure it is not loaded. You should keep the ammunition in another room until you have finished cleaning the firearm and are ready to reload.

NEVER USE FIREARMS WHILE USING DRUGS OR ALCOHOL

When you handle firearms, your judgment must NOT be impaired. You should NEVER handle firearms while under the influence of alcohol, illegal drugs or while using legal prescription medication that can make you tired or affect your senses, reflexes, or judgment.

USE EYE AND EAR PROTECTION

Always wear proper eye and ear protection while shooting firearms; ear protection will help prevent hearing loss from the extreme decibel level of gunfire, and eye protection will help prevent ejection gases, ricocheted objects, casings, or any foreign objects from damaging your eyes. Be smart, be safe.

3. BEFORE USING YOUR PISTOL

Your Tisas pistol is semi-automatic, meaning that it is automatically reloaded and ready to fire again after each shot.

Your Tisas pistol can fire even without a magazine inserted. For that reason, ejecting the magazine or inserting an empty magazine does not make your pistol safe. Rather, to ensure your pistol is safe, you must eject the magazine, empty the chamber, and then visually inspect the chamber to ensure no cartridge or other obstruction is present.

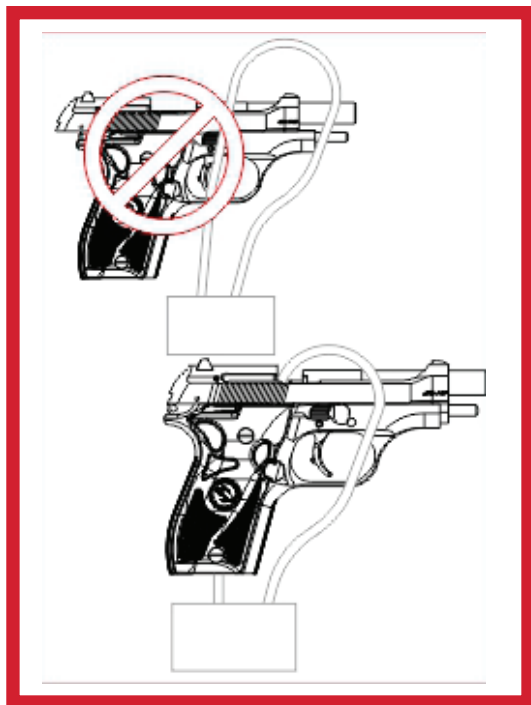
Possess, carry and use your pistol in accordance with all relevant local, state, and federal laws. If you purchased this firearm secondhand, have it checked by a qualified armorer or gunsmith to ensure it is safe to operate.



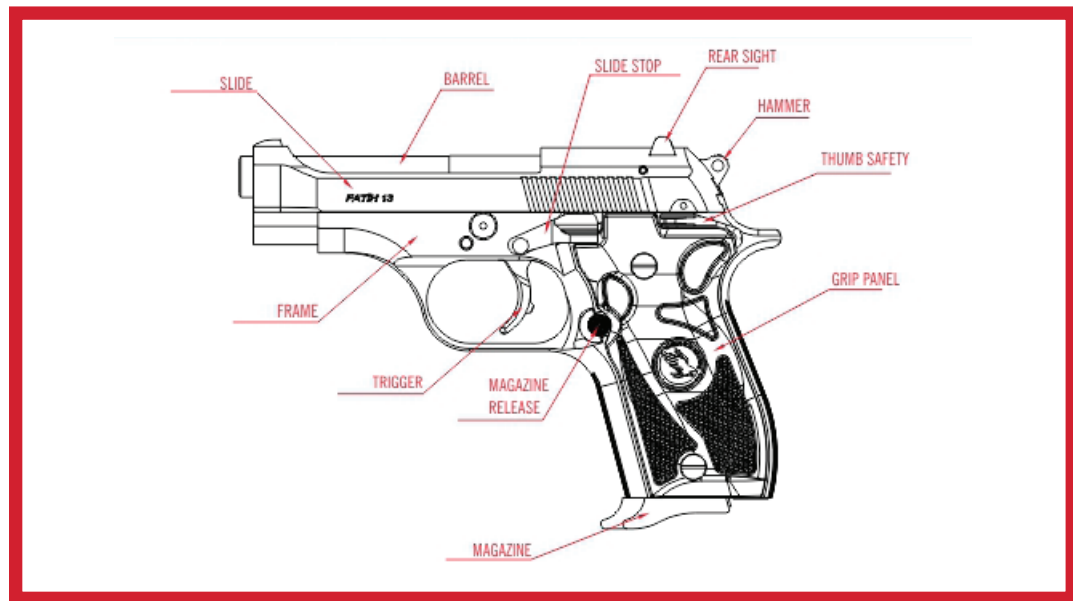
ATTENTION: Keep your firearm in a safe place where children cannot access it. Always store your firearm unloaded and store the key to the lock separately from the ammunition.



IMPORTANT: When not in use, your firearm should be secured with a lock to prevent unauthorized use. A cable lock, such as shown here must be used to prevent the firearm from locking into battery to prevent use.



4. PARTS OF THE TISAS FATİH 13 MODEL PISTOL



5. OVERVIEW OF SAFETY MECHANISMS

Make sure that your pistol is clean and functional. Use the correct ammunition, that is in good condition, in your pistol. Hold your firearm firmly in order not to drop it after shooting. Make sure that the safety is off before shooting (see figure at right).

Your pistol is a double action firearm, you can fire the pistol by pulling the trigger even if the hammer is not cocked.



CAUTION: Do not point the pistol at objects that you do not intend to shoot, even with the safety engaged. Controlling and using the pistol safely is the responsibility of the user.



CAUTION: Do not try to lower the hammer when there is a cartridge in the chamber. If the hammer slips through your fingers, the pistol will be fired and you might injure yourself and others.

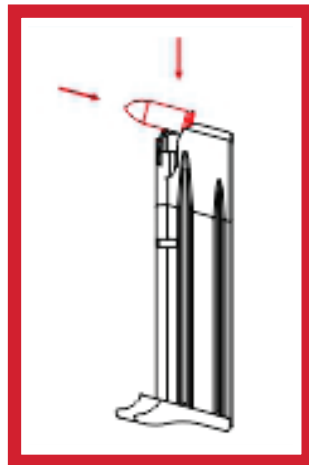
6. LOADING

After making sure that your pistol is clean, ensure that the ammunition is clean, dry and of the correct caliber and type. Hold the magazine with one hand and insert the ammunition cartridges into the magazine with the other hand until the magazine is fully loaded.

Insert the magazine into the pistol, then retract the slide and release it. At this point, the chamber is loaded and your pistol is ready to fire.

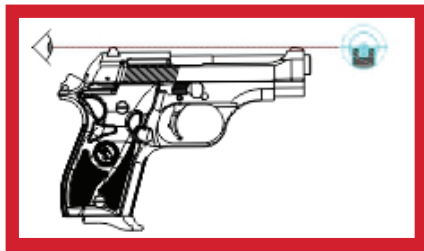


IMPORTANT: Always keep your finger off the trigger while loading your pistol, and always point the barrel in a safe direction.



7. FIRING

- Grip your pistol firmly.
- Point the pistol at your intended target and assume a proper shooting stance.
- Aim the pistol precisely at your intended point of impact within the larger target.
- The pistol can be fired double action or single action. One longer and heavier pull will cock and release the hammer. This is double action.
- The pistol can also have the hammer cocked manually, placing it in single action. This requires a lighter trigger pull.
- When you are ready to fire, place your finger on the trigger and gently squeeze the trigger. The pistol will fire one cartridge, and then ready itself to fire a subsequent cartridge.
- Squeeze the trigger again to fire this subsequent cartridge, and repeat this procedure until you wish to stop firing or until you run out of ammunition, at which point the slide will lock in its retracted position.





IMPORTANT: If you are untrained or inexperienced, and have a misfire, a malfunction, or in the event the pistol stops firing before the magazine is empty, unload the pistol and utilize the assistance of a qualified firearms instructor before attempting to operate your Tisas pistol.



WARNING: Do not utilize a grip that places your non-shooting hand in back of the slide. The slide's movement will cause injury and a malfunction.

8. UNLOADING

When the last cartridge in the magazine is fired, the slide locks to the rear position. To unload from this point:

- Point the barrel in a safe direction.
- Eject the magazine by pressing the magazine release lever.
- Pull the slide to the rear and visually inspect the chamber to confirm that it is empty.
- Slowly release the slide to its forward position.

If you wish to unload before the magazine has been emptied, when the slide is in a forward position, or when the hammer is in the fully-cocked position:

- Point the barrel in a safe direction and keep your finger off the trigger.
- Eject the magazine by pressing the magazine release lever.
- Pull the slide to the rear and visually inspect the chamber to confirm that it is empty.
- Release the hammer by following the procedure for that specific action.



ATTENTION: In order to ensure that your pistol is unloaded, eject the magazine and then visually inspect the chamber by pulling the slide rearward.

9. DECOCKING THE HAMMER

- Point the barrel in a safe direction and make sure your pistol is unloaded.
- Grip the pistol firmly with your dominant hand as if preparing to fire.
- Grasp the hammer between the thumb and index finger of your other hand.
- Squeeze the trigger and slowly allow the hammer to fall until the hammer safety is engaged. Do not release the hammer until the hammer fits into its half-cocked position.



ATTENTION: Always store and carry your pistol with its chamber empty and its hammer safety engaged. When your pistol is loaded, do not try to release the hammer, as doing so may fire your pistol and cause injury or death to yourself or others.

10. TROUBLESHOOTING



CAUTION: When troubleshooting, always safely unload your firearm while pointing in a safe direction.

Slide will not lock forward into battery:

- Do not attempt to manually force the slide into battery.
- Point your barrel in a safe direction.
- Eject the magazine.
- Retract the slide to facilitate extraction and ejection of the chambered cartridge.
- If the cartridge does not extract and eject, lock the slide in its rear position.
- Inspect the cartridge and carefully attempt manual extraction/ejection. If the cartridge cannot be extracted/ejected, seek the assistance of a qualified armorer or gunsmith.



ATTENTION: This problem may be the result of a dirty firearm, incorrect ammunition, or an incorrect magazine. Do not attempt manual extraction/ejection of a severely impounded cartridge, as doing so may result in a serious accident and/or injury.

Squib load, inadequate charge in cartridge:

- This can be recognized by a weak report when fired, possibly a light recoil of the operation and a failed ejection.
- Stop firing immediately.
- Unload your firearm in a safe manner.
- Retract and lock the slide to the rear and inspect both the chamber and the barrel to determine whether or not they are obstructed.
- If an obstruction is present, keep your pistol pointed in a safe direction and obtain assistance from a qualified armorer or gunsmith.



IMPORTANT: If the chamber/barrel becomes obstructed and you continue to fire, the pistol may explode, resulting in serious injury or death to yourself or others.

Troubleshooting other malfunctions:

- Replace any damaged magazines or ammunition cartridges.
- Inspect and clean the chamber.
- Clean the magazine.
- Clean the thumb safety selector and the cartridge ramp.
- If after taking these steps your pistol continues to malfunction, obtain assistance from a qualified armorer or gunsmith.



ATTENTION: Carry out all troubleshooting operations in a safe location with the firearm pointed in a safe direction.



ATTENTION: Cleaning solvent is a flammable material and should be kept away from a flame.

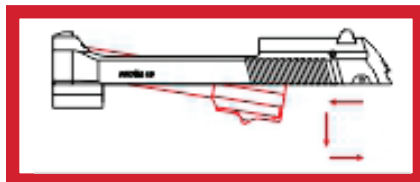
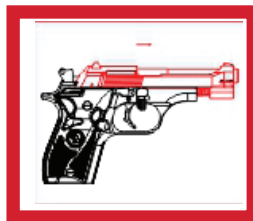
11. DISASSEMBLY and ASSEMBLY

Disassembly

- Point the barrel in a safe direction and remove the magazine. Remove the magazine by pressing the magazine release.
- Empty the chamber or confirm that it is already empty by retracting and then slowly releasing the slide.
- Push the disassembly button on the right side of the pistol and rotate the takedown lever 90° counter-clockwise. The barrel will unlock.
- Push and remove the slide.
- Remove the recoil spring guide.
- Remove the barrel.

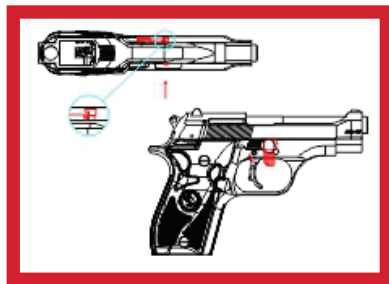
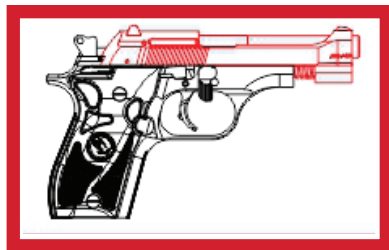


NOTE: Keep your hand on the recoil spring as it is under pressure. If you lose your grip, the spring may eject and could lead to injury.



Assembly

- Put the barrel in its place in the slide.
- Place the recoil spring guide in its place.
- Put the slide on the frame and make sure that the barrel is in its place by pushing on the end of the barrel.
- Push the disassembly button on the right side of the pistol and rotate the takedown lever 90° clockwise.
- Move the slide back and forth to ensure it operates freely. If there is any difficulty, disassemble and repeat the procedure.
- Lower the hammer as per the previous instructions.
- Insert the magazine.



12. CLEANING

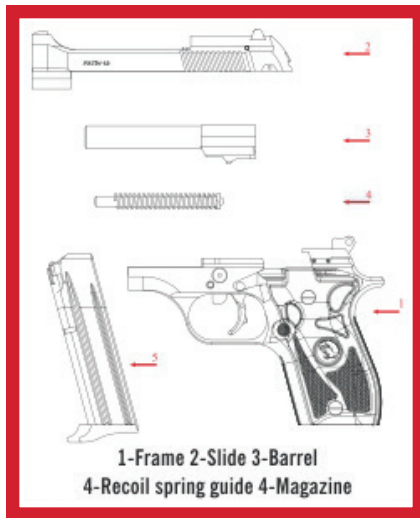
Materials needed for cleaning:

- Solvent
- Gun oil
- Cleaning cloth
- Brush
- Ramrod

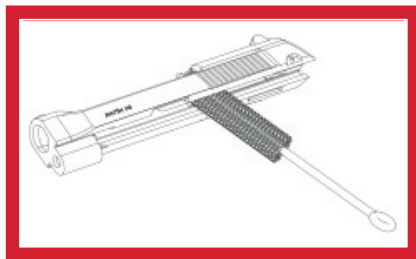


WARNING: Wear protective goggles when using solvent.

- Remove the magazine.
- Extract/eject any chambered round and confirm that the chamber is clear.
- Disassemble the firearm.
- Remove the grip panels if you will use solvent to clean the frame or other parts close to the frame (do not clean the grip panels with solvent and do not lubricate them).



- Wipe dirty surfaces, parts, slide channels and inside the barrel with solvent using brush.
- Do not use brush from both ends of the barrel, clean from the chamber end only. It is a best practice to not allow the brush to abrade the crown of the muzzle on any gun.
- Wipe down all surfaces to remove dirt and solvent.
- Lightly lubricate all external (except for the grip panels) and internal parts with gun oil.
- Dry outer surfaces of the firearm with a clean cloth.
- Remove any excess lubricant from the internal operating parts of the firearm.
- Reassemble the firearm.
- Retract and release the slide and operate the safety mechanism to ensure proper functioning.

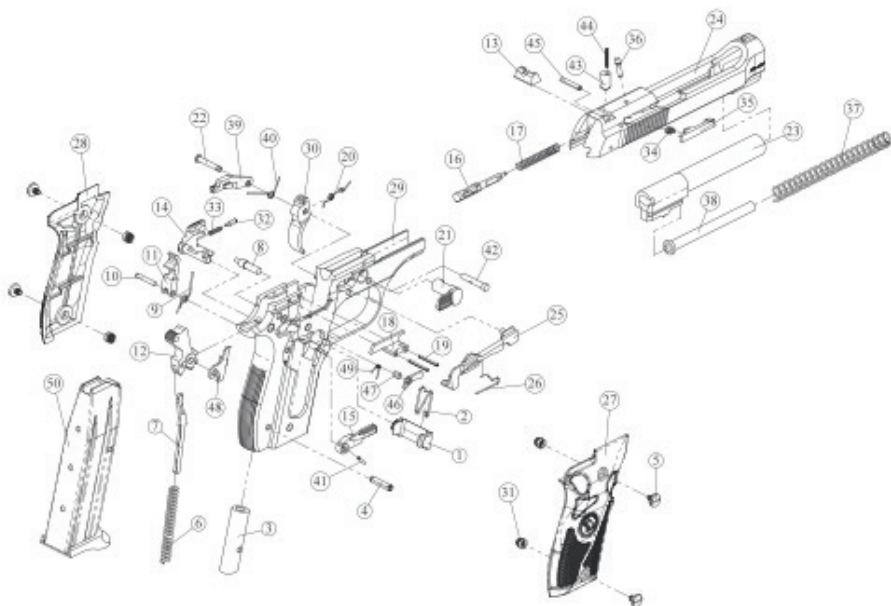


CAUTION: Use appropriate tools for grip screws and do not damage the screws. Do not overtighten screws or they may be broken or damaged. Be careful not to lose small parts. Use caution with springs under tension.

FATiH 13 PARTS DESCRIPTION

NO.	PARTS DESCRIPTION	CODE	NO.	PARTS DESCRIPTION	CODE
1	MAGAZINE CATCH	T3-1	26	TRIGGER BAR SPRING	T3-33.01
2	MAGAZINE CATCH SPRING	T3-1.03	27	RIGHT GRIP	T3-35
3	HAMMER STRUT GUIDE	T3-2	28	LEFT GRIP	T3-35A
4	HAMMER STRUT GUIDE PIN	T3-2.01	29	FRAME	T3-40
5	GRIP SCREW	T3-3	30	TRIGGER	T3-42
6	HAMMER SPRING	T3-4	31	GRIP SCREW BUSHING	T3-43
7	HAMMER SPRING STRUT	T3-5	32	SAFETY SPRING BALL	T3-44
8	HAMMER PIN	T3-7	33	SAFETY SPRING	T3-44.01
9	SEAR SPRING	T3-8	34	EXTRACTOR SPRING	T3-45
10	SEAR PIN	T3-9	35	EXTRACTOR	T3-47
11	SEAR	T3-10	36	EXTRACTOR PIN	T3-47.01
12	HAMMER	T3-11	37	RECOIL SPRING	T3-50
13	REAR	T3-16	38	RECOIL SPRING GUIDE	T3-55
14	SAFETY LATCH, LEFT	T3-18	39	SLIDE CATCH	T3-56
15	SAFETY LATCH, RIGHT	T3-18A	40	SLIDE CATCH SPRING	T3-57
16	FIRING PIN	T3-21	41	SAFETY PIN	T3-60
17	FIRING PIN SPRING	T3-22	42	DISASSEMBLY LATCH RELEASE BUTTON	T3-62
18	EJECTOR	T3-24	43	FIRING PIN SAFETY BLOCK	T3-67
19	SEAR SPRING PIN	T3-24.01	44	FIRING PIN SAFETY BLOCK SPRING	T3-67.01
20	TRIGGER SPRING	T3-27	45	STABLING PIN	T3-68
21	DISASSEMBLY LATCH	T3-28	46	TRIGGER BAR SUPPORT	T3-69
22	SLIDE STOP AND TRIGGER PIN	T3-29	47	TRIGGER BAR SUPPORT PIN	T3-69.01
23	BARREL	T3-31	48	FIRING PIN LOCK PLUNGER LEVER	T3-70
24	SLIDE	T3-32	49	FIRING PIN LOCK PLUNGER LEVER SPRING	T3-70.01
25	TRIGGER BAR	T3-33	50	MAGAZINE	T3-503

FATiH 13 EXPLODED VIEW





Zenith Firearms Warranty

At Zenith Firearms, we believe in the quality of our firearms, and we want you to as well.

Age and wear cannot be covered under warranty, as the mechanical parts and materials that make up firearms eventually wear out. However, defective parts, materials, and workmanship are not acceptable, and we will stand behind our products. We warrant our firearms to be free from defects in performance and workmanship for one year from the date of purchase. If you have a problem that is directly attributable to the quality of our product, it's on us to make it right, shipping and handling included.

However, if you abuse, improperly maintain, or alter the internal workings of your Zenith firearm in any way, we will not warranty damage that occurs. Likewise, if you use improper or incompatible ammunition or parts, we will not warranty damage that occurs. This includes altering a serial number.

If you experience a problem with your firearm, please contact a customer service representative at 434-202-7790.

RETURN WITHOUT REPAIR

If we receive your firearm and determine that its damage is unwarrantable, we will contact you with an explanation and an estimation of your cost to have us repair or refurbish it. If you would rather we simply return your firearm to you, we will cover the cost of shipping to do so.

FREE REPAIR AND RETURN

If your firearm is defective and we determine the defect is warrantied, Zenith will try to repair it. If we repair your firearm, after doing so we will ship it directly back to you, provided you originally shipped it to us from your address. If your firearm cannot be repaired, we will consider replacing it. If we end up replacing your firearm, we will ship it back to you via a licensed FFL dealer, and there may be additional charges that you'll have to cover, such as transfer fees and background check fees. In either case, though, we will pay for shipping.

LIMITATIONS ON WARRANTY

OUR ONLY RESPONSIBILITY IN THE CASE OF BREACH OF WARRANTY IS REPAIR. ZENITH FIREARMS SHALL NOT BE LIABLE FOR ANY OTHER DAMAGES, INCLUDING DIRECT, INDIRECT, OR CONSEQUENTIAL DAMAGES.

PLEASE NOTE: This warranty gives you specific legal rights, and you may also have other rights, which vary from state to state, as some jurisdictions do not allow limitations on certain damages and warranties.



Zenith Firearms

10950 Rockfish Valley Highway, Suite C, Afton, VA 22920

Tel: 434.202.7790 | Fax: 800.466.4444 | info@zenithfirearms.com | www.zenithfirearms.com