



- SAR 9
- SAR 9T
- SAR 9C
- SAR 9X
- SAR 9 SPORT

**SAR
USA**

SAR 9 SERIES SEMI-AUTOMATIC PISTOLS

**OWNER'S MANUAL
MAINTENANCE & SPARE PARTS LIST**



△ WARNING

SARSILMAZ disclaims any and all liability arising out of the use of any SARSILMAZ products (i) contrary to instructions or regulations; (ii) without caution; (iii) by any parties other than the license holder; (iv) through making unauthorized or illegal modifications thereon; (v) utilizing non-standard or out of spec ammunition; (vi) maintenance or repair services rendered by unauthorized persons; or (vii) under any similar conditions whatsoever. SARSILMAZ excludes all liability for any injuries or property damages arising from the malicious or negligent use of products.

△ WARNING

Safety is only activated when striker is cocked. Do not try to change the position to safe if not cocked. Forcing the safety into position while not cocked can cause damage which in turn will void the warranty.

△ WARNING

All pictures, photos and definitions in this Manual are provided only for information purposes. The manufacturer reserves the right to make changes to any of its models any time without prior notice as necessary for improving the products or consistent with any manufacturing or commercial requirements.

CONTENTS

| | | | |
|--|----|---|----|
| 1. GENERAL PRECAUTIONS..... | 5 | 5. MAINTENANCE AND CLEANING | 21 |
| 2. GENERAL RULES FOR SAFETY | 6 | 5.1. MAINTENANCE AND CLEANING KIT..... | 21 |
| 3. PRODUCT AND FEATURES IDENTIFICATION | 9 | 5.2. DISASSEMBLING YOUR FIREARM | 21 |
| 3.1. SUPPLIED COMPONENTS..... | 9 | 5.3. MAINTENANCE AND CLEANING OF YOUR FIREARM | 23 |
| 3.1.1. OPTIONAL ACCESORIES..... | 11 | 5.4. ASSEMBLING YOUR FIREARM | 27 |
| 3.2. BASIC PARTS..... | 12 | 5.5. FUNCTION CHECK..... | 27 |
| 3.3. FIREARM SPECIFICATIONS..... | 13 | 5.6. MAINTENANCE OF YOUR MAGAZINE..... | 28 |
| 3.4. TECHNICAL DATA and FEATURES..... | 14 | 5.6.1. DISASSEMBLING YOUR MAGAZINE..... | 28 |
| 4. PUTTING YOUR PRODUCT INTO SERVICE | 15 | 5.6.2. CLEANING YOUR MAGAZINE..... | 29 |
| 4.1. PRELIMINARY PREPERATION..... | 15 | 5.6.3. ASSEMBLING YOUR MAGAZINE..... | 29 |
| 4.2. INSPECTING YOUR PISTOL..... | 15 | 5.7. CHANGING YOUR BACK STRAP AND GRIP PANELS.. | 30 |
| 4.3. 4.3. AMMUNITION..... | 16 | 5.7.1. CHANGING YOUR BACK STRAP | 30 |
| 4.4. FIRING..... | 17 | 5.7.2. CHANGING YOUR GRIP PANELS | 30 |
| 4.4.1. CHECKS AND SAFETY BEFORE FIRING | 17 | 5.7.3. ASSEMBLING YOUR BACK STRAP AND GRIP PANELS | 30 |
| 4.4.2. LOADING YOUR MAGAZINE | 17 | 6. TROUBLESHOOTING..... | 31 |
| 4.4.3. ASSEMBLING YOUR FIREARM..... | 18 | 7. EXPLODED VIEW and PART LIST | 32 |
| 4.4.4. PROPER SIGHT PICTURE | 18 | 7.1. SAR 9 / SAR 9T EXPLODED VIEW | 32 |
| 4.4.5. FIRING..... | 19 | 7.2. SAR 9C EXPLODED VIEW | 34 |
| 4.4.6. UNLOADING YOUR MAGAZINE..... | 20 | 7.3. SAR 9X EXPLODED VIEW | 36 |
| 4.5. SECURING YOUR FIREARM | 20 | 7.4. SAR 9 SPORT EXPLODED VIEW | 38 |
| 4.5.1. UNLOADING YOUR FIREARM | 20 | | |

1. GENERAL PRECAUTIONS

Read the instructions and warnings in this manual carefully before handling SARSILMAZ products for any purpose. With all SARSILMAZ products you must be familiar with and follow the information provided in this manual. Please read the instructions manual thoroughly before handling firearm. If you need any further information, please consult your dealer or the factory.

Please observe the laws of your region and/or your country governing the purchasing, handling, and use of firearms.

All firearms are dangerous. Therefore, it is your responsibility to always comply with all instructions for use. SARSILMAZ disclaims in advance any and all responsibility for any damage and/or other consequences whatsoever that may be caused by the misuse of the product, including any property damage or injury/death arising from not observing the following precautions:

- Always keep the muzzle pointed in a safe direction.
- Firearms should be unloaded and secured when not in use.
- Do not rely solely on your firearm's safety.
- Be sure of your target and what is beyond it.
- Make sure that your ammunition matches the caliber or gauge of your gun.
- If your pistol fails to fire when the trigger is pulled, IMMEDIATELY REMOVE FINGER FROM TRIGGER, keep muzzle pointed in a safe direction, and pull slide back to eject faulty cartridge. Once faulty cartridge is ejected, continue firing.
- It is your responsibility to ensure that you are in compliance with all applicable laws and ordinances regarding the use of your firearm.
- Any other factors which are beyond our direct or indirect control.

2. GENERAL RULES FOR SAFETY

2.1. ALWAYS KEEP YOUR FIREARM POINTED IN A SAFE DIRECTION.

Never point a firearm at yourself or anyone. This is particularly important when loading or unloading the firearm. Always be aware of what is beyond your target. Whether you miss or hit your target, it is your responsibility to ensure your shot will not cause unexpected injuries or damages.

2.2. ALWAYS TREAT EVERY FIREARM AS IF IT IS LOADED.

Do not take anyone's word that the firearm is unloaded – always check for yourself. Assume your firearm is ready to fire unless you have visually checked that the firearm is unloaded.

2.3. SECURE YOUR GUN OUT OF CHILDREN'S SIGHT, REACH AND ACCESS.

To ensure that your firearm is not accessible to children and other unauthorized persons. It is highly recommended that you store your firearm unloaded and secured with ammunition stored separately. This will minimize the risk of accidents involving children and unauthorized persons.

2.4. NEVER SHOOT AT HARD SURFACES OR WATER.

Shooting at water or hard surfaces can cause changes in the direction of the bullet which may result in injuries to yourself, others, and/or property damage.



2.5. NEVER USE ALCOHOL OR DRUGS WHILE HANDLING OR SHOOTING A FIREARM.

Do not use your firearm if you are impaired by alcohol, drugs, and/or medications that will hinder your physical and mental abilities.

2.6. FOLLOW PROPER MAINTENANCE PROCEDURES FOR YOUR FIREARM

Before loading the barrel, always check to see if it is completely clean (completely free from any obstructions such as dirt, mud, oil, ammunition or ammunition residuals). Shooting against an obstruction can cause an increase in pressure and may damage your firearm and cause injury to yourself and others. If the operation of your handgun has changed the way it sounds, stop firing, make sure the firearm is pointed in a safe direction, and unload the firearm.

Check the chamber and barrel bore for any failure.

Using incorrect types or calibers of ammunition may cause the firearm to jam.

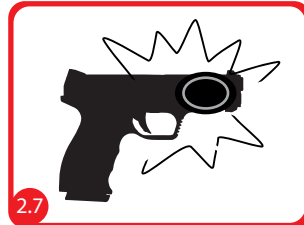
In order to prevent accumulation of dirt or dust on operating parts, store your firearm in its original case once properly cleaned. Lubricate and clean your gun after every use following the instructions in order to avoid any corrosion and barrel damage.

2.7. USE PROPER AMMUNITION.

Only use factory-loaded ammunition that is newly manufactured within industry specifications. Ensure all cartridges are compatible with the caliber and type of your firearm. Avoid using MP5 bullets!

2.8. ALWAYS WEAR SAFETY GLASSES AND EAR PROTECTION SPECIFIED FOR FIREARM USE.

A shooter should always wear impact-resistant safety glasses and ear protection when using any firearm to prevent hearing and eyesight damage.



2.9. OBSERVE THE RULES!

Observe all local and general rules regarding the handling, use and transportation of firearms.

2.10. ENSURE THAT YOU HAVE A FULL UNDERSTANDING OF THE SAFETY FEATURES OF YOUR PISTOL.

Never rely on only the safety mechanism to prevent accidents. It is your obligation to make yourself familiar with and utilize the safety features of your gun. The best way to prevent accidents is to follow the rules for safety and safe handling procedures defined in the product manual.

2.11. NEVER ALLOW A FIREARM TO BE USED BY INDIVIDUALS THAT DO NOT UNDERSTAND ITS SAFE OPERATION OR HAVE NOT READ THESE FIREARM SAFETY RULES.

2.12. NEVER LEAVE A FIREARM UNATTENDED AND IN REACH OF AN UNAUTHORIZED PERSON. THIS MAY RESULT IN THEFT OR MAY EVEN POSE A THREAT TO OTHERS, CAUSING DAMAGE OR EVEN DEATH. ALL RESPONSIBILITY WILL BE YOURS.

2.13. IT IS IMPERATIVE THAT YOU KEEP YOUR FIREARM UNLOADED IN A SAFE AND SECURED LOCATION.

2.14. NEVER ATTEMPT TO REMOVE AN OBSTRUCTED PROJECTILE IN THE BARREL BORE THROUGH FIRING ANOTHER ONE. UNLOAD FIREARM AND SEEK A QUALIFIED GUNSMITH.

2.15. MAKE SURE YOU ARE FAMILIAR WITH THE OPERATIONS BEFORE USING AND LOADING THE FIREARM.

2.16. ALLOW ONLY AUTHORIZED/QUALIFIED GUNSMITHS TO UNDERTAKE REPAIR PROCEDURES.

2.17. IT IS BOTH DANGEROUS AND FORBIDDEN TO MAKE MECHANICAL MODIFICATIONS ON ANY PART OF THE FIREARM. PLEASE NOTE THAT ANY MODIFICATIONS WILL EXCLUDE THE ENTIRE FIREARM FROM WARRANTY.

2.18. USER OF THE FIREARM SHOULD STAND AT A REASONABLE DISTANCE FROM OTHER PERSONS.

3. PRODUCT AND FEATURES IDENTIFICATION

3.1. SUPPLIED COMPONENTS

The package SAR 9 / SAR 9T / SAR 9C supplied includes:

- 1 pistol
- 1 pistol case
- 2 magazines
- 1 manual and maintenance kit
- 3 sizes of back and side straps
- 1 gun lock
- 1 cleaning and lubrication kit

- ◇ Oil brush
- ◇ Cleaning rod
- ◇ Punch



Note: Case may vary.

The package SAR 9X / SAR 9 SPORT supplied includes:

- 1 pistol
- 1 pistol case
- 2 magazines
- 1 manual and maintenance kit
- 3 sizes of back and side straps
- 1 gun lock
- 1 flashlight* (Only SAR 9X)^{Battery not included}
- 1 magazine loader
- 1 magazine holder and allen wrench
- 1 holster, holster part, allen wrench and screw

- ◇ Oil brush
- ◇ Cleaning rod
- ◇ Punch



* Flashlight requires CR123 / CR123A battery.
Batteries not included.

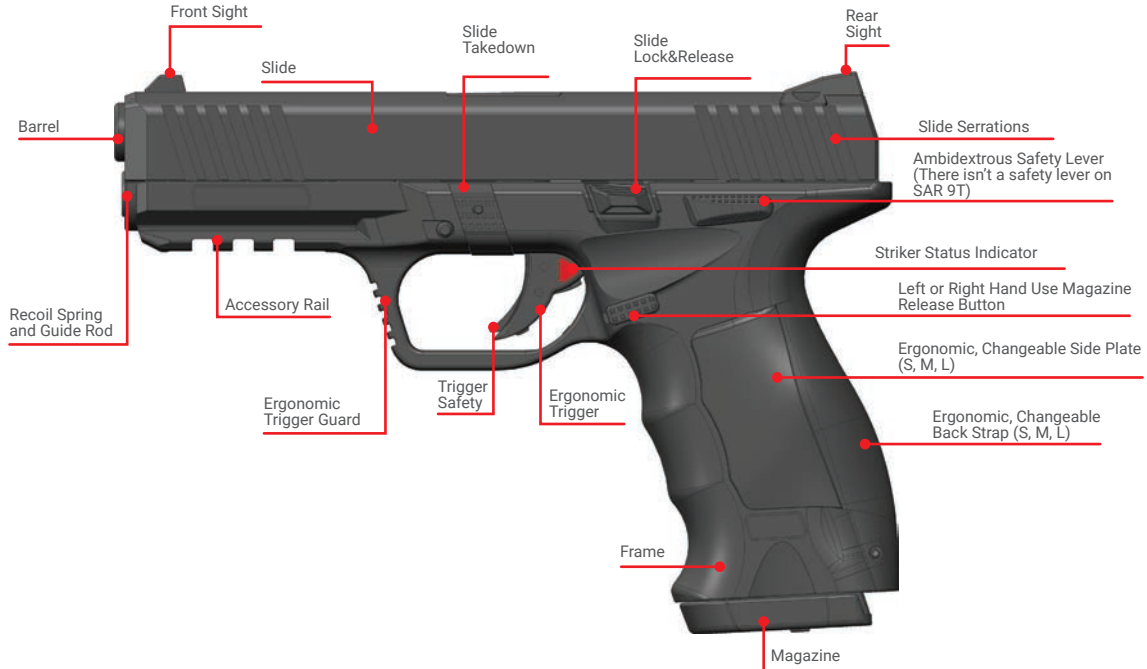
3.1.1. OPTIONAL ACCESORIES

Note: The accessories below may not shipped with the firearm. Please contact SAR USA for further questions on available accessories.

- Flashlight (battery not included)
- Tritium rear sight
- Tritium front sight
- Adjustable rear sight (windage and elevation)
- Adjustable front sight (elevation)
- Laser pointer
- Holographic sight

Sarsilmaz firearms are manufactured with state-of-the-art equipment. They are designed and developed for users such as gun enthusiasts, police, and military services. The layout and ergonomics of this firearm and the ability to interchange back straps and side panels to provide you with a preferable grip, allows for a quick and easy sight alignment. The firearm is also equipped with ambidextrous safety for both right and left-handed shooters.

3.2. BASIC PARTS

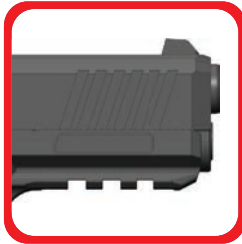


Note: Sarsilmaz reserves the right to amend the content of model without any notice.

3.3. FIREARM SPECIFICATIONS



Firing Pin Safety



Picatinny Rail



Striker Status Indicator



3 interchangeable side panels
and back straps.

Complete with
ambidextrous safety

⚠ WARNING
Never engage safety lever when trigger is uncocked.

3.4. TECHNICAL DATA and FEATURES

| MODEL | SAR 9 | SAR 9T | SAR 9C | SAR 9X | SAR 9 SPORT |
|----------------|--|--|--|---|---|
| CALIBER | 9x19 mm | 9x19 mm | 9x19 mm | 9x19 mm | 9x19 mm |
| MECHANISM | Single Action | Single Action | Single Action | Single Action | Single Action |
| CAPACITY | Opt 10 / 17 / 19 | Opt 10 / 17 / 19 | Opt 10 / 15 | Opt 10 / 17 / 19 | Opt 19 / 21 |
| BARREL LENGTH | 4.4" | 4.4" | 4.0" | 4.4" | 5.2" |
| OVERALL LENGTH | 7.5" | 7.5" | 7.2" | 7.5" | 8.3" |
| OVERALL HEIGHT | 5.5" | 5.5" | 5.1" | 5.5" | 5.9" |
| OVERALL WIDTH | 1.4" | 1.4" | 1.4" | 1.4" | 1.4" |
| WEIGHT | 27.8 oz | 27.1 oz | 26.8 oz | 27.8 oz | 29.9 oz |
| SPECIFICATION | Polymer Frame, Alloyed Forged Steel Barrel and Slide Rear Sight Firing Pin Block and Trigger Safety 3 size changeable back straps 3 size changeable side plate Picatinny Rail | Polymer Frame, Alloyed Forged Steel Barrel and Slide Rear Sight Firing Pin Block and Trigger Safety 3 size changeable back straps 3 size changeable side plate Picatinny Rail | Polymer Frame, Alloyed Forged Steel Barrel and Slide Rear Sight Firing Pin Block and Trigger Safety 3 size changeable back straps 3 size changeable side plate Picatinny Rail | Polymer Frame, Alloyed Forged Steel Barrel and Slide with Cooling Channel Rear Sight Firing Pin Block and Trigger Safety 3 size changeable back straps 3 size changeable side plate Picatinny Rail | Polymer Frame, Alloyed Forged Steel Barrel and Slide with Cooling Channel Rear Sight Firing Pin Block and Trigger Safety 3 size changeable back straps 3 size changeable side plate Picatinny Rail |

4. PUTTING YOUR PRODUCT INTO SERVICE

4.1. PRELIMINARY PREPARATION

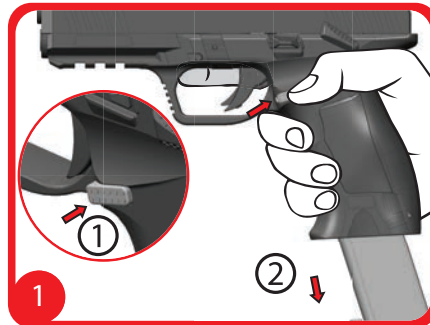
Firearms are generally protected with oil film. Before using your firearm, clean your firearm and make sure the barrel doesn't have any excess oil. If there is excess oil, remove it by using a bore mop or patches to push through the barrel.

4.2. INSPECTING YOUR PISTOL

- a. Depress the magazine release and remove the magazine. (Figure 1)

⚠ WARNING

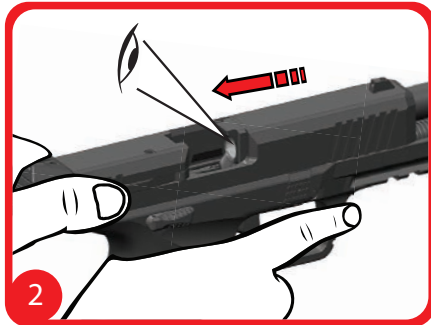
Safety is only activated when striker is cocked. Do not try to change the position to safe if not cocked. Forcing the safety into position while not cocked can cause damage which in turn will void the warranty.



- b. Pull the slide to the rear, check to see that the chamber is clear and the bore is not obstructed. (Figure 2)
- c. Push the manual safety lever to the SAFE position. Pull the trigger while pointing the gun in a safe direction (Figure 3). Make sure that the firing pin does not drop.
- d. Set the safety to FIRE, grip the pistol firmly and pull the trigger. Your firing pin should release during this step.

4.3. AMMUNITION

- Use only NEW quality factory ammunition.
- Make sure that the caliber of the ammunition is compatible with your firearm (i.e. if your pistol is marked 9X19 your ammunition should coincide with 9mm, 9X19, 9mm Luger, 9mm NATO ammunition).
- Using over pressured cartridges or hand loads may cause damage to the firearm which will void the warranty and may also cause injury to yourself and/or bystanders.



4.4. FIRING

4.4.1. CHECKS AND SAFETY BEFORE FIRING

- Always keep the firearm pointed in a safe direction.
- Keep your fingers off the trigger and out of the trigger guard until you're ready to shoot.
- Before loading be sure that any excess oil on the firearm is removed. Check to see that the chamber is clear (by pulling the slide to the rear) and the bore is not obstructed.
- It is not recommended that you load or unload your firearm anywhere other than a safe and designated area. Do not rely on the safety system alone. Be sure you have read the manual carefully and understand it completely.

4.4.2. LOADING YOUR MAGAZINE

- a. Hold the magazine with your non-dominant hand.
- b. With your dominant hand, place a cartridge on the follower in front of the lips, press down and slide the cartridge completely back under the lips.
- c. Repeat until the magazine is fully loaded. (Figure 4)

⚠ WARNING

While loading cartridges, insert each one carefully to avoid damaging magazine lips.

⚠ WARNING

Number of cartridges can be observed by holes on the rear side of magazine. Do not try to force more than maximum indicated rounds into the magazine. Crushed and crooked cartridges can affect the function. Inspect cartridges prior to loading.

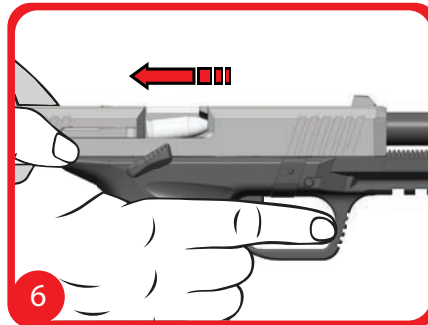
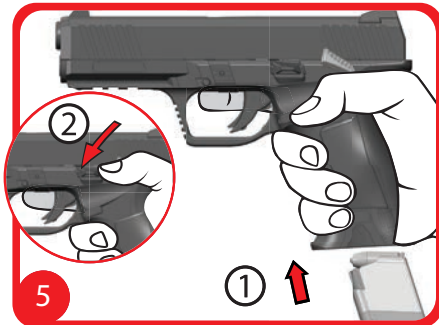


4.4.3. ASSEMBLING YOUR FIREARM

- a. Make sure your pistol is in safe position and finger is off the trigger. Push the magazine up into the magazine well until the magazine catch engages and locks the magazine in place. This can be accomplished with the slide locked in the rear position or with the slide in the closed position. **(Figure 5) It is ok to insert magazine directly if your pistol doesn't have a safety lever.**
- b. While the slide is closed, pull the slide to the rearward position. Release the slide and allow it to go forward into the closed position. The slide will automatically take the cartridge from the magazine and load it into the chamber. If magazine is inserted while the slide is locked in the rear position, release the slide by using the slide release or by pulling rearward on the slide and releasing it. Do not allow your hand to follow the slide back. Let it go freely.(Figure 6)
- c. The firearm is now loaded and ready to fire. Always remember to keep the muzzle pointed in a safe direction while handling your firearm.

4.4.4. PROPER SIGHT PICTURE

The proper sight picture can be seen in Figure 7.



⚠ WARNING

The slide of this pistol moves to the rear forcefully. Make sure to have correct hand placement before releasing slide as seen in Figure 7. Hold the gun firmly with all fingers below the slide.

4.4.5. FIRING

- Put your finger on the trigger then pull slowly. (Figure 8)
- Do not move from your target/shooting area until you have completed a safety check and made sure firearm is unloaded.
- When the last round in the magazine is expended, the slide will be locked back in the open position by the slide catch lever.
- Depress the magazine release button and remove the magazine.
- Insert a loaded magazine, making sure it is engaged. Then release the slide by pressing down on the slide catch lever or by pulling back on the slide to release. (Figure 9)
- Ensure the firearm is pointed in a safe direction at all times.

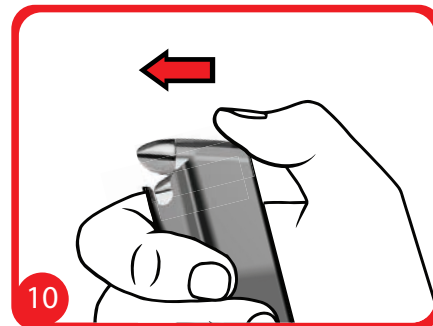


4.4.6. UNLOADING YOUR MAGAZINE

In order to remove cartridges from the magazine, grip the magazine while using your thumb to unload. (Figure 10)

4.5. UNLOADING YOUR FIREARM

- Point the muzzle of the firearm in a safe direction.
- Depress the magazine release and remove the magazine.
- Pull rearward on the slide to eject the live round from the chamber.
- Rack the slide multiple times to ensure the chamber is empty. While holding the slide in the rearward position, engage the slide release to lock open.
- Visually check the chamber to be sure it is empty.



5. MAINTENANCE AND CLEANING

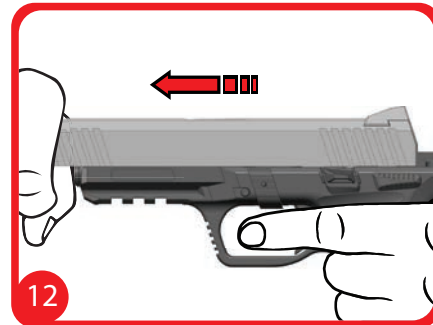
5.1. MAINTENANCE AND CLEANING KIT

Maintenance and Cleaning Kit may contain the following items below:

- Brush
- Cleaning Rod

5.2. DISASSEMBLING YOUR FIREARM

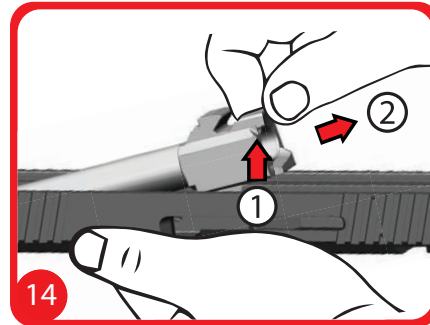
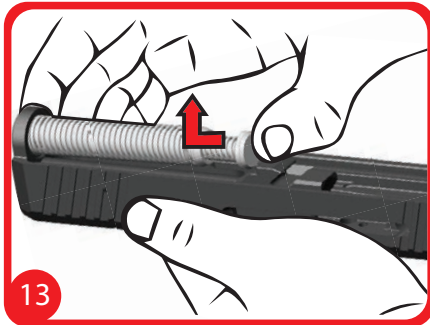
Appropriate knowledge about the use and maintenance of your firearm is very important. Many malfunctions happen from mistakes made during gun maintenance. Cleaning, lubrication and protection are necessary and should receive special focus in order for the firearm to work properly and efficiently.



- a. Make sure that the firearm is unloaded and the magazine is removed before disassembling the firearm for cleaning and maintenance.
- b. Visually check to make sure there is no cartridge in the chamber.
- c. Make sure that the firearm points in a safe direction and then pull the trigger.
- d. Push down on the slide takedown. (Figure 11)
- e. Remove the slide from the frame. (Figure 12)
- f. Set the frame to the side. Flip slide upside down and remove recoil spring and guide rod assembly. Do not put guide rod in a bind as it will cause damage. (Figure 13) Remove the barrel from the slide. (Figure 14)

△ WARNING

A basic wipe down of the frame is sufficient. No further disassembly of the slide or frame is necessary. Any further breakdown should only be completed by an authorized and approved gunsmith.



5.3. MAINTENANCE AND CLEANING OF YOUR FIREARM

Proper cleaning and lubrication are essential for the reliable function, corrosion resistance, and the accuracy of the firearm. It is especially important for your personal safety. Accidents can easily happen when cleaning the firearm. After every use, cleaning and lubrication are highly recommended (especially the bore, which loses protective oils during firing). Excess oil and grease in the bore are very dangerous when firing and may cause damage to the firearm and serious injury to the shooter and bystanders. Never spray oil on the cartridges.

Read and follow the manufacturer's warnings before using solvents and cleaners. Remember that you are responsible for the proper care and maintenance of your firearm.

- a. Begin by ensuring that the firearm is unloaded.
- b. A firearm must be kept clean and covered with a slight amount of oil to prevent corrosion. This is especially necessary after every use.
- c. Remove all residue of powder from barrel and other adjacent parts using the oil brush included in your kit. If particles of lead are detected in barrel, they must be removed with oil. Figure 15 and 15A.
- d. Once cleaned, lubrication should be applied using oil and a cleaning cloth. Figure 16.
- e. Wipe the slide assembly inside and out with a cleaning cloth or brush dampened with cleaning solvent to remove the dust and powder fouling. Carefully clean the slide rails as well.

1 - Slide



2 - Barrel



3 - Recoil Spring & Rod



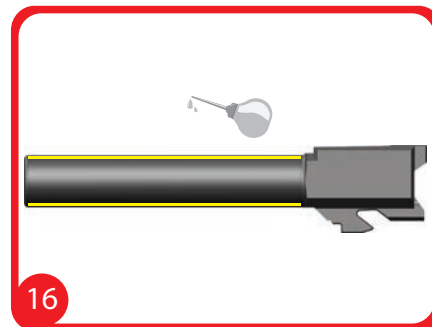
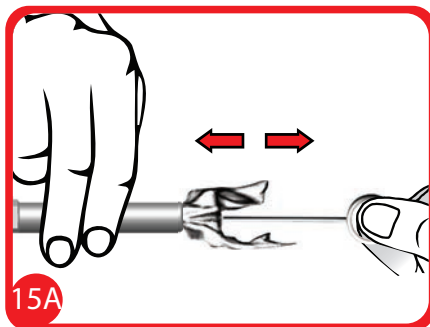
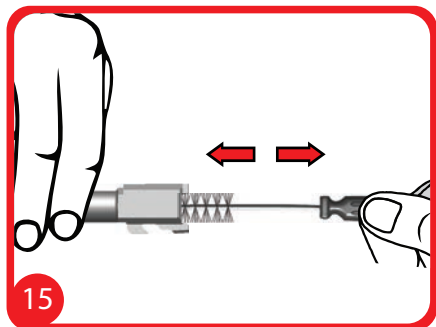
4 - Frame



5 - Magazine

BARREL: Clean your barrel.

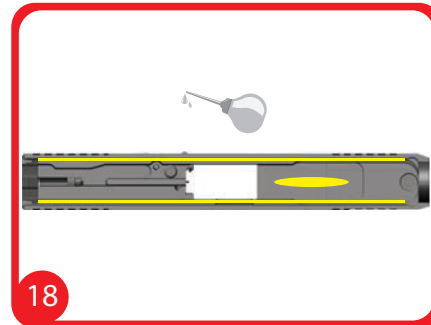
- a. Clean the chamber with cleaning oil, inserting copper/bronze brush (not steel). (Figure 15)
- b. Use cleaning rod and cleaning cloth with oil (Figure 15A)
- c. Lubricate outer body of barrel with a few drops of oil on a cleaning cloth. (Figure 16)



SLIDE: Clean the slide

- a. Use a copper brush with cleaning oil.
- b. Clean inner channels of slide, extractor (with caution), and thoroughly clean slide and adjacent parts (Figure 17)
- c. Lubricate the inner channels of slide and any other surfaces showing signs of wear. (Figure 18)

⚠ WARNING: Do not over-lubricate.

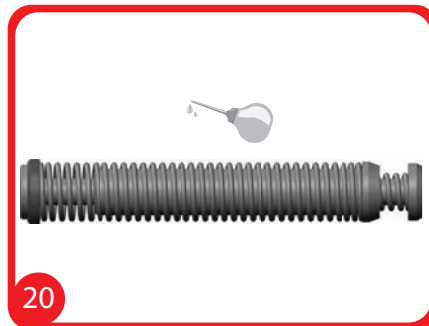
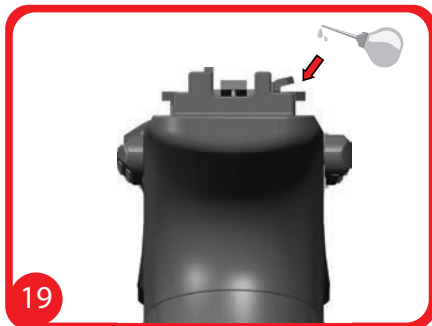


FRAME: Clean the frame

- a. Use a nylon brush and cleaning cloth with cleaning oil.
- b. Lubricate the frame channels (Figure 19)
- c. Use the nylon brush and cleaning cloths to thoroughly clean any part of the lower frame that has fouling.

RECOIL: Clean the recoil

- d. Use a nylon brush and cleaning cloth with cleaning oil.
- e. Lubricate the frame channels (Figure 20)
- f. Use the nylon brush and cleaning cloths to thoroughly clean any part of the recoil that has fouling.

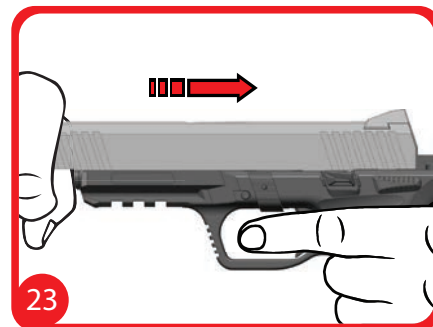
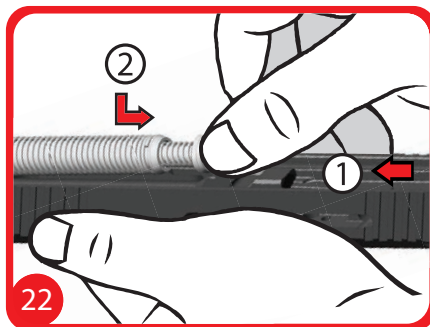
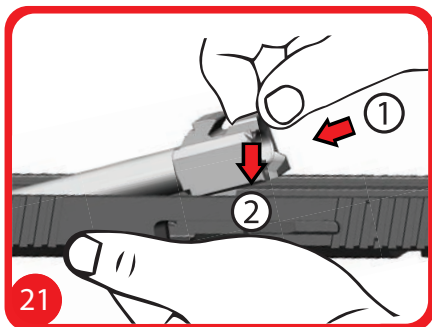


5.4. ASSEMBLING YOUR FIREARM

- a. Verify the pistol is completely clear of foreign matter. Insert the barrel into the slide. (Figure 21)
- b. Insert the recoil spring guide assembly into the slide. Do not put guide rod in a bind, as it will cause damage. (Figure 22)
- c. Guide the slide onto the frame rails from the front. Once the slide is racked in the rearward position, a click will indicate the slide takedown is secured in place. (Figure 23)
- d. Check the secure operation by pulling back the slide of the pistol.
- e. Check the function of trigger. Verify that the safety function works properly. Only put safety on when trigger is engaged.

5.5. FUNCTION CHECK

- Following cleaning and maintenance, it is recommended to check the function of the firearm.
- Pull the slide back and release a few times.
- Make sure the slide moves freely. Remember not to ride the slide (pull back and release without holding).
- With pistol on safe, pull the trigger while pointing firearm in a safe direction. Make sure firing pin does not drop during this process. Switch safety to fire then pull the trigger while pointing firearm in a safe direction. Make sure firing pin drops during this process. Never reengage safety until trigger is cocked.



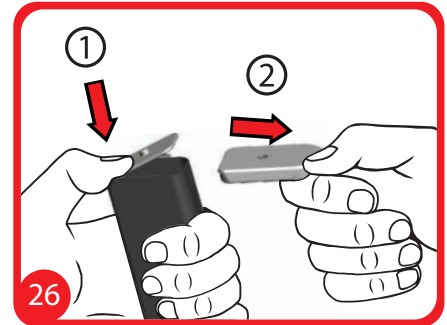
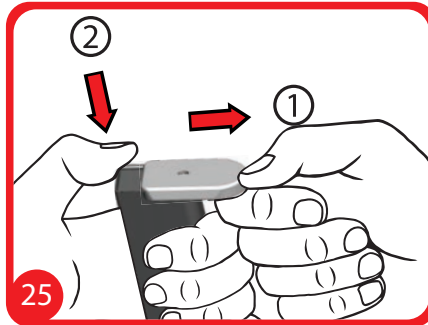
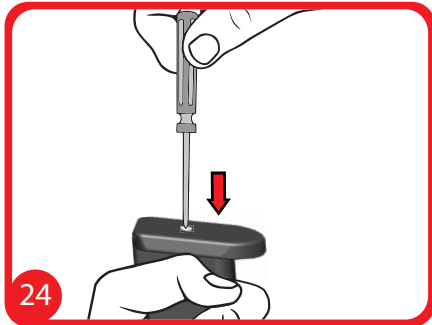
5.6. MAINTENANCE OF YOUR MAGAZINE

5.6.1. DISASSEMBLING YOUR MAGAZINE

- a. Make sure that the magazine is unloaded.
- b. Using a punch or other small rod, press the floorplate retainer. (Figure 24)
- c. Slide the floorplate halfway. (Figure 25)
- d. Hold the floorplate retainer (Figure 25.2), and then ease the floorplate off of the magazine body. Remove floorplate retainer, magazine spring, and follower out of the magazine. (Figure 26)

⚠ WARNING

Read the entire following directions before proceeding. The magazine spring is compressed during assembly. Support the magazine floorplate retainer and magazine spring with your thumb to control magazine spring tension. Uncontrolled release can cause injury. Wear eye protection!



5.6.2. CLEANING YOUR MAGAZINE

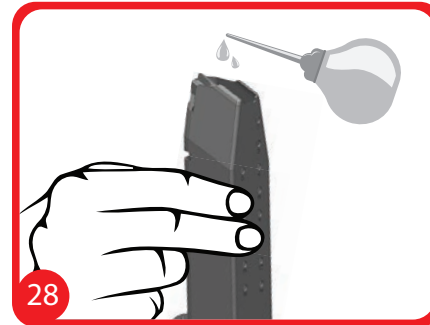
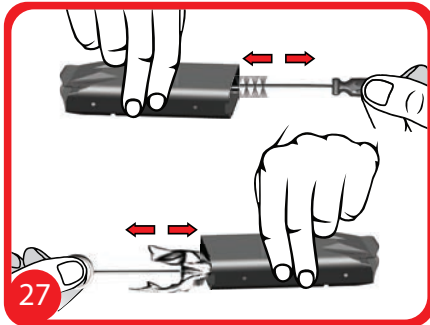
- a. Clean the fouling in the magazine using a bristle brush while moving it lightly inside the magazine up and down.
- b. Wipe the outside and inside of the magazine with a clean cloth. (Figure 27)
- c. Lightly lubricate inside of the magazine using a clean cloth with a couple of drops of oil. (Figure 28)
- d. It is not necessary to clean your magazine after every use. Only clean if magazine follower is sticking or having feeding issues. If no issues arise, clean at least once every 6 months.

⚠ WARNING

Remember that using harsh solvents/chemicals that are not designed for firearm cleaning will void the warranty.

5.6.3. ASSEMBLING YOUR MAGAZINE

Assemble in reverse order.



5.7. CHANGING YOUR BACK STRAP AND GRIP PANELS

5.7.1. CHANGING YOUR BACK STRAP

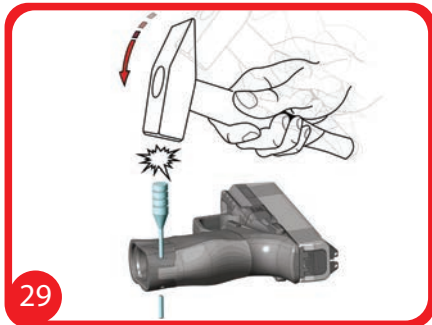
- a. By using the punch, push the back strap pin out of the frame as shown in the figure. (Figure 29)
- b. Grasp the strap and pull it back first and then down as in the picture. (Figure 30)

5.7.2. CHANGING YOUR GRIP PANELS

- c. Remove the grip panels by sliding them out as shown in the figure. (Figure 31)

5.7.3. ASSEMBLING YOUR BACK STRAP AND GRIP PANELS

- d. Choose the one that fits your hand among the back strap and grip panels, from 3 different sizes that are supplied with your pistol. (S-M-L)
- e. To assemble your preferred size panels and straps, follow the disassembly process steps above in reverse order.



6. TROUBLESHOOTING

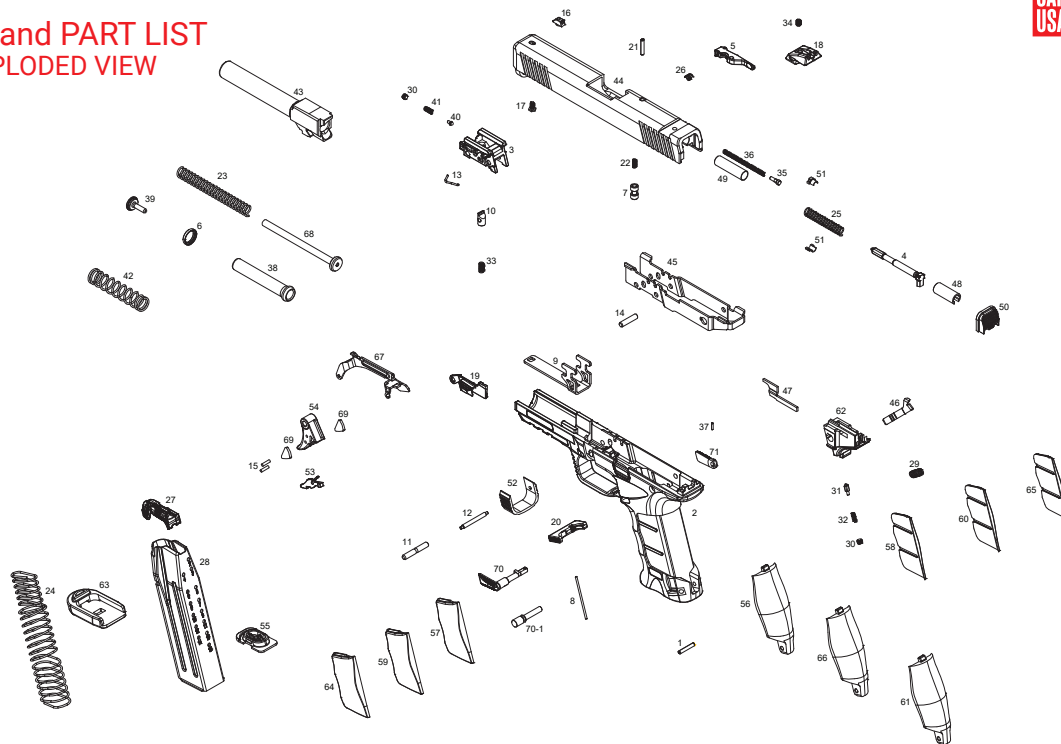
If your firearm misfires with a live cartridge in the chamber, IMMEDIATELY REMOVE YOUR FINGER FROM THE TRIGGER, keep your firearm pointed in a safe direction and pull the slide back to eject the faulty cartridge. Once you have successfully cleared the slide, you may continue firing. Do not attempt to reuse the faulty cartridge.

The following table outlines the problems and their reasons as well as suggestions with respect to firing.

| PROBLEM | REASON | SOLUTION |
|--|--|---|
| Cartridge does not fire | Firing pin obstructed | Contact an authorized service agent |
| | Dirty chamber surface | Unload and clean |
| | Faulty cartridge | Unload the cartridge from chamber, load new one and continue firing. |
| Cartridge does not feed from magazine into chamber | Magazine not fully seated into magwell | Push the magazine up with your palm. Make sure to hear a "click" to ensure the magazine is fully seated. |
| | Faulty Magazine | Replace the magazine |
| | Dirty Magazine | Unload the cartridges and clean the magazine. |
| | Faulty inserted magazine | Remove the magazine and inspect. Reinsert the magazine properly. |
| Spent cartridge not ejecting | Under pressured load | Eject magazine. Rack the slide while tilting ejection port side to the right. Sometimes a slight shake will allow spent cartridges to fall free. If the problem persists, advise with authorized/approved gunsmith. |
| | Cartridge extractor damaged | Contact an authorized/ approved gunsmith. |
| | Extractor is stuck | Contact an authorized/ approved gunsmith. |

7. EXPLODED VIEW and PART LIST

7.1. SAR 9 / SAR 9T EXPLODED VIEW



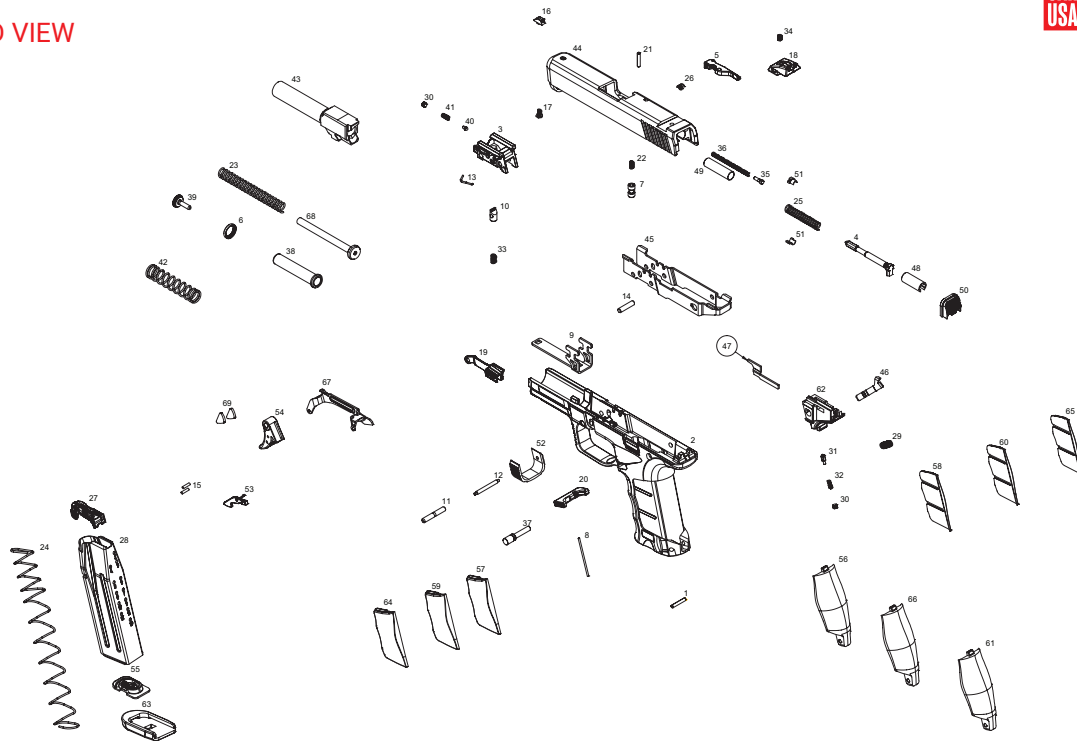
Note: Sarsilmaz reserves the right to make an amendment or in-line change on features without notice when needed.

Warning: Parts of SAR 9 and SAR 9T are all the same, Numbered part 70, 70-1 and 71 only belongs to SAR 9T, numbered parts 37-70 to SAR 9.

SAR 9 / SAR 9T PART LIST

| NU | PART NAME | NU | PART NAME | NU | PART NAME |
|----|--------------------------|----|----------------------------------|------|--------------------------|
| 1 | PIN | 25 | FIRING PIN SPRING | 49 | CUP |
| 2 | FRAME | 26 | EXTRACTOR SPRING | 50 | SLIDE COVER PLATE |
| 3 | LOCKING BLOG | 27 | FOLLOWER | 51 | SPRING CUPS |
| 4 | FIRING PIN | 28 | MAGAZINE | 52 | SLIDE LOCK |
| 5 | EXTRACTOR | 29 | TRIGGER SPRING | 53 | TRIGGER SAFETY |
| 6 | MAIN SPRING CUP | 30 | M4 STOPPER | 54 | TRIGGER |
| 7 | FIRING PIN SAFETY | 31 | PLUNGER | 55 | MAGAZINE BUTTPLATE CATCH |
| 8 | MAGAZINE CATCH SPRING | 32 | PLUNGER SPRING | 56 | BACK GRIP PANEL-L |
| 9 | STEEL SUPPORT | 33 | SLIDE LOCK SPRING | 57 | LEFT GRIP PANEL-M |
| 10 | SLIDE LOCK BLOCK | 34 | M4X8 SET SCREW | 58 | RIGHT GRIP PANEL-M |
| 11 | LOCKING BLOCK PIN | 35 | SLIDE COVER PLATE PLUNGER | 59 | LEFT GRIP PANEL-S |
| 12 | SLIDE LOCK PIN | 36 | SLIDE COVER PLATE PLUNGER SPRING | 60 | RIGHT GRIP PANEL-S |
| 13 | SLIDE STOP LEVER SPRING | 37 | SAFETY LEVER PIN | 61 | BACK GRIP PANEL-S |
| 14 | TRIGGER PIN | 38 | RECOIL SPRING CUP | 62 | SEAR HOUSING |
| 15 | TRIGGER SAFETY PIN | 39 | STOPPER | 63 | MAGAZINE |
| 16 | FRONT SIGHT | 40 | LOCKING BLOCK PLUNGER | 64 | LEFT GRIP PANEL-L |
| 17 | FRONT SIGHT SCREW | 41 | LOCKING BLOCK PLUNGER SPRING | 65 | RIGHT GRIP PANEL-L |
| 18 | REAR SIGHT | 42 | MAIN RECOIL SPRING | 66 | BACK GRIP PANEL-M |
| 19 | SLIDE STOP LEVER | 43 | BARREL | 67 | TRIGGER BAR |
| 20 | MAGAZINE CATCH | 44 | SLIDE | 68 | RECOIL SPRING GUIDE ROD |
| 21 | PIN | 45 | GRIP MODULE | 69 | INDICATOR |
| 22 | FIRING PIN SAFETY SPRING | 46 | CONNECTOR | 70 | SAFETY LEVER (LEFT) |
| 23 | SECOND RECOIL SPRING | 47 | EJECTOR | 70-1 | SEAR HOUSING PIN |
| 24 | MAGAZINE SPRING | 48 | SPACER SLEEVE | 71 | SAFETY LEVER (RIGHT) |

7.2. SAR 9C EXPLODED VIEW



Note: Sarsilmaz reserves the right to change or amend this drawing or change parts features without notice as necessary.

PART LIST

NUMBER PART NAME

| | |
|----|--------------------------|
| 1 | PIN |
| 2 | FRAME |
| 3 | LOCKING BLOG |
| 4 | FIRING PIN |
| 5 | EXTRACTOR |
| 6 | MAIN SPRING CUP |
| 7 | FIRING PIN SAFETY |
| 8 | MAGAZINE CATCH SPRING |
| 9 | STEEL SUPPORT |
| 10 | SLIDE LOCK BLOCK |
| 11 | LOCKING BLOCK PIN |
| 12 | SLIDE LOCK PIN |
| 13 | SLIDE STOP LEVER SPRING |
| 14 | TRIGGER PIN |
| 15 | TRIGGER SAFETY PIN |
| 16 | FRONT SIGHT |
| 17 | FRONT SIGHT SCREW |
| 18 | REAR SIGHT |
| 19 | SLIDE STOP LEVER |
| 20 | MAGAZINE CATCH |
| 21 | PIN |
| 22 | FIRING PIN SAFETY SPRING |
| 23 | SECOND RECOIL SPRING |

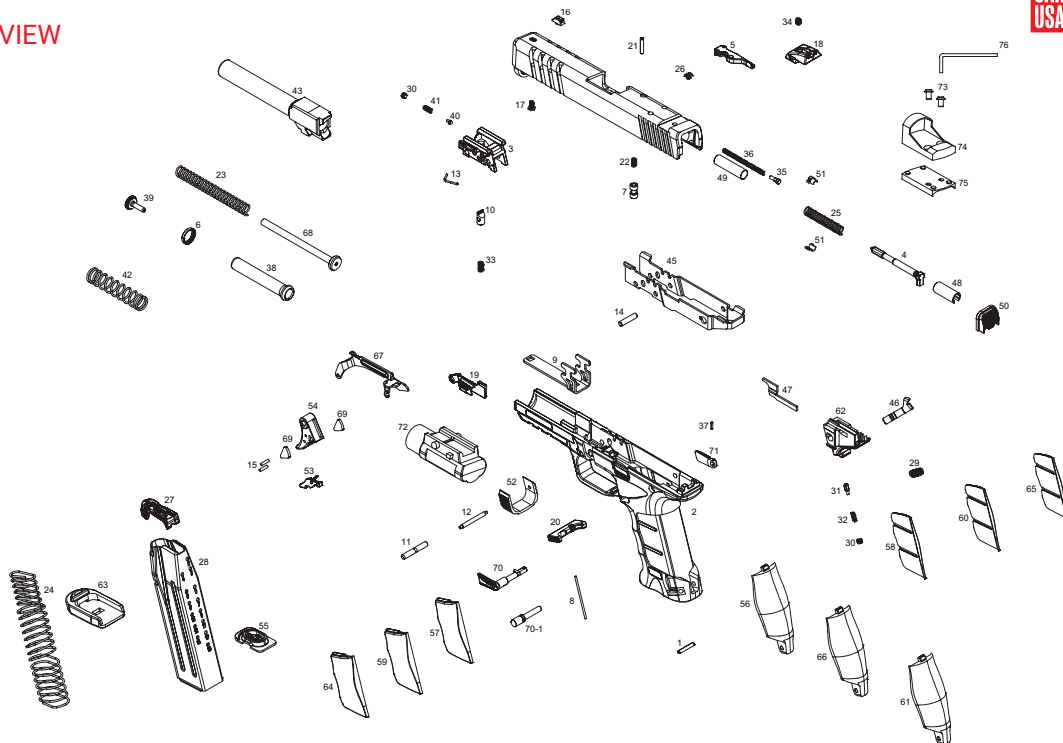
NUMBER PART NAME

| | |
|----|----------------------------------|
| 24 | MAGAZINE SPRING |
| 25 | FIRING PIN SPRING |
| 26 | EXTRACTOR SPRING |
| 27 | FOLLOWER |
| 28 | MAGAZINE |
| 29 | TRIGGER SPRING |
| 30 | M4 STOPPER |
| 31 | PLUNGER |
| 32 | PLUNGER SPRING |
| 33 | SLIDE LOCK SPRING |
| 34 | M4X8 SET SCREW |
| 35 | SLIDE COVER PLATE PLUNGER |
| 36 | SLIDE COVER PLATE PLUNGER SPRING |
| 37 | SEAR HOUSING PIN |
| 38 | RECOIL SPRING CUP |
| 39 | STOPPER |
| 40 | LOCKING BLOCK PLUNGER |
| 41 | LOCKING BLOCK PLUNGER SPRING |
| 42 | MAIN RECOIL SPRING |
| 43 | BARREL |
| 44 | SLIDE |
| 45 | GRIP MODULE |
| 46 | CONNECTOR |

NUMBER PART NAME

| | |
|----|--------------------------|
| 47 | EJECTOR |
| 48 | SPACER SLEEVE |
| 49 | CUP |
| 50 | SLIDE COVER PLATE |
| 51 | SPRING CUPS |
| 52 | SLIDE LOCK |
| 53 | TRIGGER SAFETY |
| 54 | TRIGGER |
| 55 | MAGAZINE BUTTPLATE CATCH |
| 56 | BACK GRIP PANEL-L |
| 57 | LEFT GRIP PANEL-M |
| 58 | RIGHT GRIP PANEL-M |
| 59 | LEFT GRIP PANEL-S |
| 60 | RIGHT GRIP PANEL-S |
| 61 | BACK GRIP PANEL-S |
| 62 | SEAR HOUSING |
| 63 | MAGAZINE |
| 64 | LEFT GRIP PANEL-L |
| 65 | RIGHT GRIP PANEL-L |
| 66 | BACK GRIP PANEL-M |
| 67 | TRIGGER BAR |
| 68 | RECOIL SPRING GUIDE ROD |
| 69 | INDICATOR |

7.3. SAR 9X EXPLODED VIEW



Note: Sarsilmaz reserves the right to change or amend this drawing or change parts features without notice as necessary.

PART LIST

NUMBER PART NAME

| | |
|----|--------------------------|
| 1 | PIN |
| 2 | FRAME |
| 3 | LOCKING BLOG |
| 4 | FIRING PIN |
| 5 | EXTRACTOR |
| 6 | MAIN SPRING CUP |
| 7 | FIRING PIN SAFETY |
| 8 | MAGAZINE CATCH SPRING |
| 9 | STEEL SUPPORT |
| 10 | SLIDE LOCK BLOCK |
| 11 | LOCKING BLOCK PIN |
| 12 | SLIDE LOCK PIN |
| 13 | SLIDE STOP LEVER SPRING |
| 14 | TRIGGER PIN |
| 15 | TRIGGER SAFETY PIN |
| 16 | FRONT SIGHT |
| 17 | FRONT SIGHT SCREW |
| 18 | REAR SIGHT |
| 19 | SLIDE STOP LEVER |
| 20 | MAGAZINE CATCH |
| 21 | PIN |
| 22 | FIRING PIN SAFETY SPRING |
| 23 | SECOND RECOIL SPRING |
| 24 | MAGAZINE SPRING |
| 25 | FIRING PIN SPRING |

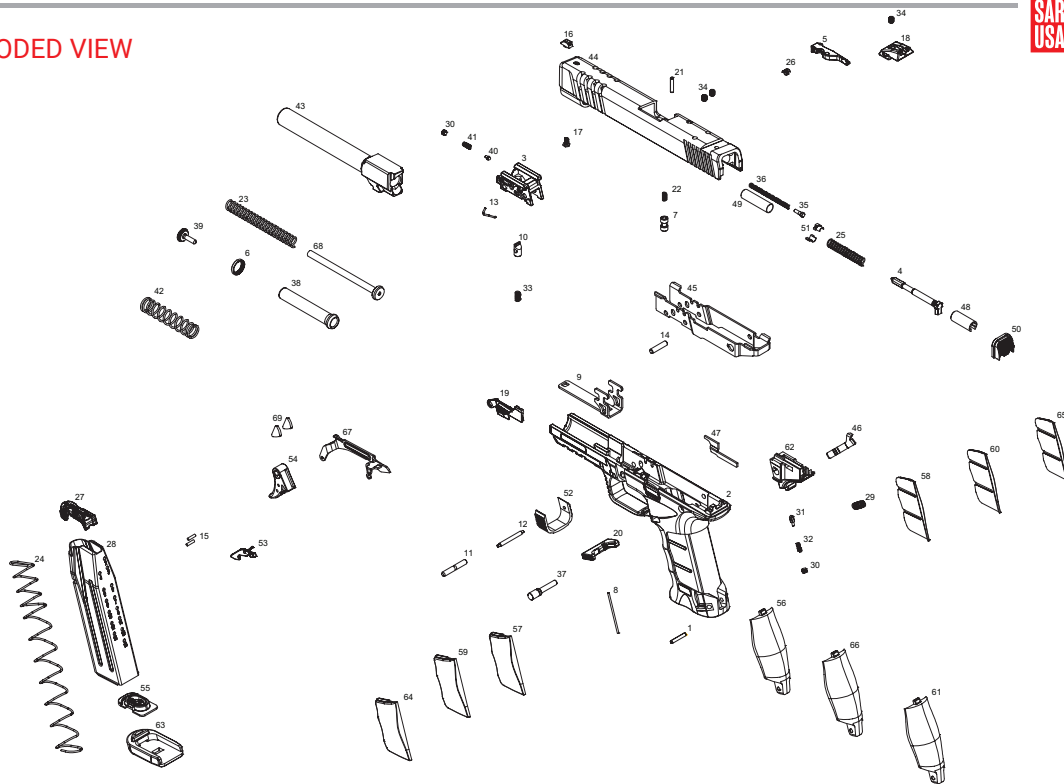
NUMBER PART NAME

| | |
|----|----------------------------------|
| 26 | EXTRACTOR SPRING |
| 27 | FOLLOWER |
| 28 | MAGAZINE |
| 29 | TRIGGER SPRING |
| 30 | M4 STOPPER |
| 31 | PLUNGER |
| 32 | PLUNGER SPRING |
| 33 | SLIDE LOCK SPRING |
| 34 | M4X8 SET SCREW |
| 35 | SLIDE COVER PLATE PLUNGER |
| 36 | SLIDE COVER PLATE PLUNGER SPRING |
| 37 | SAFETY LEVER PIN |
| 38 | RECOIL SPRING CUP |
| 39 | STOPPER |
| 40 | LOCKING BLOCK PLUNGER |
| 41 | LOCKING BLOCK PLUNGER SPRING |
| 42 | MAIN RECOIL SPRING |
| 43 | BARREL |
| 44 | SLIDE |
| 45 | GRIP MODULE |
| 46 | CONNECTOR |
| 47 | EJECTOR |
| 48 | SPACER SLEEVE |
| 49 | CUP |
| 50 | SLIDE COVER PLATE |
| 51 | SPRING CUPS |

NUMBER PART NAME

| | |
|----|---------------------------|
| 52 | SLIDE LOCK |
| 53 | TRIGGER SAFETY |
| 54 | TRIGGER |
| 55 | MAGAZINE BUTTPLATE CATCH |
| 56 | BACK GRIP PANEL-L |
| 57 | LEFT GRIP PANEL-M |
| 58 | RIGHT GRIP PANEL-M |
| 59 | LEFT GRIP PANEL-S |
| 60 | RIGHT GRIP PANEL-S |
| 61 | BACK GRIP PANEL-S |
| 62 | SEAR HOUSING |
| 63 | MAGAZINE |
| 64 | LEFT GRIP PANEL-L |
| 65 | RIGHT GRIP PANEL-L |
| 66 | BACK GRIP PANEL-M |
| 67 | TRIGGER BAR |
| 68 | RECOIL SPRING GUIDE ROD |
| 69 | INDICATOR |
| 70 | SAFETY LEVER (LEFT) |
| 71 | SAFETY LEVER (RIGHT) |
| 72 | FLASH LIGHT |
| 73 | M4 RED DOT MOUNTING SCREW |
| 74 | RED DOT SIGHT |
| 75 | RED DOT MOUNTING PLATE |
| 76 | ALLEN KEY |

7.4. SAR 9 SPORT EXPLODED VIEW



Note: Sarsilmaz reserves the right to change or amend this drawing or change parts features without notice as necessary.

PART LIST

NUMBER PART NAME

| | |
|----|--------------------------|
| 1 | PIN |
| 2 | FRAME |
| 3 | LOCKING BLOG |
| 4 | FIRING PIN |
| 5 | EXTRACTOR |
| 6 | MAIN SPRING CUP |
| 7 | FIRING PIN SAFETY |
| 8 | MAGAZINE CATCH SPRING |
| 9 | STEEL SUPPORT |
| 10 | SLIDE LOCK BLOCK |
| 11 | LOCKING BLOCK PIN |
| 12 | SLIDE LOCK PIN |
| 13 | SLIDE STOP LEVER SPRING |
| 14 | TRIGGER PIN |
| 15 | TRIGGER SAFETY PIN |
| 16 | FRONT SIGHT |
| 17 | FRONT SIGHT SCREW |
| 18 | REAR SIGHT |
| 19 | SLIDE STOP LEVER |
| 20 | MAGAZINE CATCH |
| 21 | PIN |
| 22 | FIRING PIN SAFETY SPRING |
| 23 | SECOND RECOIL SPRING |

NUMBER PART NAME

| | |
|----|----------------------------------|
| 24 | MAGAZINE SPRING |
| 25 | FIRING PIN SPRING |
| 26 | EXTRACTOR SPRING |
| 27 | FOLLOWER |
| 28 | MAGAZINE |
| 29 | TRIGGER SPRING |
| 30 | M4 STOPPER |
| 31 | PLUNGER |
| 32 | PLUNGER SPRING |
| 33 | SLIDE LOCK SPRING |
| 34 | M4X8 SET SCREW |
| 35 | SLIDE COVER PLATE PLUNGER |
| 36 | SLIDE COVER PLATE PLUNGER SPRING |
| 37 | SEAR HOUSING PIN |
| 38 | RECOIL SPRING CUP |
| 39 | STOPPER |
| 40 | LOCKING BLOCK PLUNGER |
| 41 | LOCKING BLOCK PLUNGER SPRING |
| 42 | MAIN RECOIL SPRING |
| 43 | BARREL |
| 44 | SLIDE |
| 45 | GRIP MODULE |
| 46 | CONNECTOR |

NUMBER PART NAME

| | |
|----|--------------------------|
| 47 | EJECTOR |
| 48 | SPACER SLEEVE |
| 49 | CUP |
| 50 | SLIDE COVER PLATE |
| 51 | SPRING CUPS |
| 52 | SLIDE LOCK |
| 53 | TRIGGER SAFETY |
| 54 | TRIGGER |
| 55 | MAGAZINE BUTTPLATE CATCH |
| 56 | BACK GRIP PANEL-L |
| 57 | LEFT GRIP PANEL-M |
| 58 | RIGHT GRIP PANEL-M |
| 59 | LEFT GRIP PANEL-S |
| 60 | RIGHT GRIP PANEL-S |
| 61 | BACK GRIP PANEL-S |
| 62 | SEAR HOUSING |
| 63 | MAGAZINE |
| 64 | LEFT GRIP PANEL-L |
| 65 | RIGHT GRIP PANEL-L |
| 66 | BACK GRIP PANEL-M |
| 67 | TRIGGER BAR |
| 68 | RECOIL SPRING GUIDE ROD |
| 69 | INDICATOR |

NOTE:

A series of horizontal dotted lines for writing, spanning the width of the page below the 'NOTE:' label.

NOTE:

A series of horizontal dotted lines for writing notes.

SAR USA
1-833-SAR-GUNS
1-833-727- 4867
www.sarusa.com