



Stoeger[®]
Every Day Tough

MODEL 3020 OWNER'S MANUAL



 **Stoeger Silah A.Ş.**

17603 INDIAN HEAD HIGHWAY, SUITE 200
Accokeek, Maryland 20607
www.StoegerIndustries.com

CONTENTS

Safety Rules	Page 2
Operation	Page 5
Major Components	Page 6
Assembly	Page 7
Loading	Page 10
Disassembly	Page 13
Maintenance	Page 17
Ammunition Specifications	Page 18
Choke Information	Page 20
Technical Drawings and Parts Lists.	Page 21

INTRODUCTION

Thank you for purchasing the Stoeger Model 3020 shotgun. It has been designed and constructed to provide trouble-free use. A thorough understanding of the firearm's operation, care and maintenance will enhance its safety and performance. Please take the time to read and understand the information provided in this manual.

WARNING: This manual contains important warnings that must be understood before using this firearm.

Please retain this copy of the Owner's Manual for future reference. Any transfer of this firearm should include a copy of this manual. If you sell, give or lend the firearm to anyone, be sure the Owner's Manual accompanies it.

Free copies are available from Stoeger Industries, Inc. To obtain a free copy, contact Stoeger at the following address:

Stoeger Industries, Inc
17603 Indian Head Highway, Suite 200
Accokeek, MD 20607
Toll Free: (800) 264-4962
Fax: (301) 283-6986
Online: www.StoegerIndustries.com

Stoeger Industries, Inc. is proud to introduce the Model 3020 line of semiautomatic shotguns which are as easy to operate as they are to maintain. Stoeger Model 3020 shotguns are among the most modern, accurate, safe, fast and elegant shotguns available today.

The Model 3020 semiautomatic shotgun is capable of shooting lead or steel shot loads with from 2^{3/4} " target loads to 3 magnum cartridges.

SAFETY RULES

Please read this before handling your firearm.

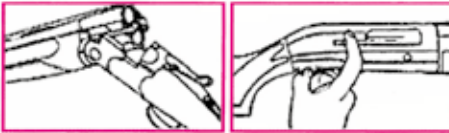
The following safety rules are an important reminder that firearm safety is **YOUR** responsibility. Firearms can be dangerous and can potentially cause damage to property, serious injury or death if handled improperly.



1. NEVER POINT FIREARM AT SOMETHING THAT IS NOT SAFE TO SHOOT.

Do not point a firearm at any part of your body or at another person. This is especially

important when loading or unloading the firearm. When you are shooting at a target, know what is behind it. Some bullets can travel over a mile. If you miss your target or if the bullet penetrates the target, it is your responsibility to ensure that the shot does not cause unintended injury or damage.

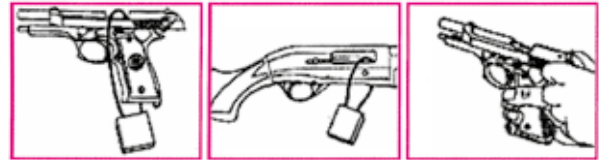


2. ALWAYS TREAT A FIREARM AS IF IT WERE LOADED.

Never assume that a firearm is unloaded. The only certain way to ensure that a firearm is empty is to open the chamber and visually examine the chamber & magazine to see if a round is present.

Shotguns and rifles can be checked by cycling or removing all rounds from the magazine and by then opening the chamber so that a visual inspection of the chamber for any remaining rounds can be made.

3. STORE YOUR FIREARM SO THAT CHILDREN CANNOT GAIN ACCESS TO IT.



It is your responsibility to insure that children under the age of 18 or other unauthorized persons do not gain access to your firearm. To reduce the risk of accidents involving children. Unload your firearm, lock it and store the ammunition in a separate locked location. Please note that devices intended to prevent accidents – for example, cable locks, chamber plugs. Etc, - may not prevent use or misuse of your firearm by a determined person. Steel gun safes may be more appropriate to reduce the likelihood of intentional misuse of a firearm by an unauthorized child or person.

4. NEVER SHOOT AT WATER OR AT A HARD SURFACE.

Shooting at the surface of water or at a rock or other hard surface increases the chance of ricochets or fragmentation of the bullet or shot, which can result in the projectile striking an unintended or peripheral target.



5. KNOW THE SAFETY FEATURES OF THE FIREARM YOU ARE USING, BUT REMEMBER: SAFETY DEVICES ARE NOT A SUBSTITUTE FOR SAFE HANDLING PROCEDURES.

Keep the **manual safety applied** and your finger **off the trigger** while handling, loading or unloading. Never rely solely on a device to prevent an accident. **Never give or take a firearm** from another person unless the action is open and the gun is unloaded. It is imperative that you know and use the safety features of the particular firearm you are handling, but accidents can best be prevented by following the safe handling procedures described in these safety rules and elsewhere in the product manual. To further familiarize yourself with the proper use of this or other firearms, take a Firearms Safety Course taught by an expert in firearm use and safety procedures.

6. PROPERLY MAINTAIN YOUR FIREARM.

Store and carry your firearm so that dirt or lint does not accumulate in the working parts. Clean and oil your firearm, following the instructions provided in this manual, after each use to prevent corrosion, damage to the barrel or accumulation of impurities which can prevent use of the gun in an emergency. Always check the barrel prior to loading to ensure that it is clean and free from obstructions. Firing against an obstruction can rupture the barrel and injure you or others nearby. In case you hear an unusual noise when shooting, stop firing immediately, engage the manual safety and unload the firearm. Make sure the chamber is free from any obstruction or possible bullet blocked inside the barrel due to defective or improper ammunition.



7. USE PROPER AMMUNITION.

Only use factory-loaded, new ammunition manufactured to industry specifications: CIP (Europe and elsewhere), SAAMI (U.S.A.). Be certain that each round you use is in the proper caliber or gauge and type for the particular firearm. The caliber or gauge of the firearm is clearly marked on the barrels of shotguns and on the slide or barrel of pistols. The use of reloaded or remanufactured ammunition can increase the likelihood of excessive cartridge pressures, case-head ruptures or other defects in the ammunition that can cause damage to your firearm and injury to yourself or others nearby.

8. ALWAYS WEAR PROTECTIVE GLASSES AND EARPLUGS WHEN SHOOTING.

The chance that gas, gunpowder or metal fragments will blow back and injure a shooter who is firing a gun is rare, but the injury that can be sustained in such circumstances is can be severe, including the possible loss of eyesight. A shooter must always wear impact resistant shooting glasses when firing any firearm. Earplugs help reduce the chance of hearing damage from shooting.



9. NEVER CLIMB A TREE, FENCE OR OBSTRUCTION WITH A LOADED FIREARM.

Open and empty the chamber of your firearm before climbing or descending a tree or before climbing a fence or jumping over a ditch or obstruction. Never pull or push a loaded firearm toward yourself or another person.

10. AVOID ALCOHOLIC BEVERAGES OR JUDGMENT OR REFLEX IMPAIRING MEDICATION WHEN SHOOTING.

Do not drink and shoot. If you take medication that can impair motor reactions or judgment, do not handle a firearm while you are under the influence of the medication.



11. NEVER TRANSPORT A LOADED FIREARM.

Unload a firearm before putting it in a vehicle. Hunters and target shooters should load their firearm only at their destination. If you carry a firearm for self-protection, leaving the chamber unloaded can reduce the chance of accidental discharge.



12. Discharging firearms in poorly ventilated areas, cleaning firearms, or handling ammunition **may result** in exposure to lead, a substance known to be associated with birth defects, reproductive harm, and other serious injury. **Have adequate ventilation at all times.** Wash hands thoroughly after exposure.

13. **Be sure** of your target and the backstop beyond. Keep your finger **off the trigger** until your sights are on the target. Keep your hands, fingers and feet **away from the muzzle** of any loaded firearm at all time.

WARNING:

A FIREARM HAS THE CAPABILITY OF TAKING YOUR LIFE OR THE LIFE OF SOMEONE ELSE! BE CAREFUL WITH YOUR FIREARM. AN ACCIDENT IS ALMOST ALWAYS THE RESULT OF NOT FOLLOWING BASIC SAFETY RULES.

WARNING:

DISCHARGING FIREARMS IN POORLY VENTILATED AREAS, CLEANING FIREARMS, OR HANDLING AMMUNITION MAY RESULT IN EXPOSURE TO LEAD, A SUBSTANCE KNOWN TO BE ASSOCIATED WITH BIRTH DEFECTS, REPRODUCTIVE HARM, AND OTHER SERIOUS INJURY. HAVE ADEQUATE VENTILATION AT ALL TIMES. WASH HANDS THOROUGHLY AFTER EXPOSURE.

OPERATION

The Stoeger Model 3020 shotgun uses a fixed-barrel, inertia recoil operated system. This system is based on a spring placed between the locking head and the bolt. When a shot is fired the bolt moves forward (about 4 mm. depending on the cartridge) relative to the rest of the shotgun, due to the recoil and the bolt's inertia, thus compressing the spring. Once the spring is fully compressed, it recoils, cycling the bolt assembly and ejecting the spent shell, then loading another before returning to battery. The spring's capacity is accurately calibrated to ensure a delay in the opening of the bolt and to adjust to different pressures created by various cartridges.

The shotgun also features:

A rotating bolt locking head with a simple and sturdy shape which, with two locking lugs, creates a secure lock along the axis of the breech which can withstand the barrel pressure generated by 3 inch 20 gauge loads.

A loading system designed to:

1. Allow manual cycling of shells, including 3inch shells, from the magazine to the chamber for quick and easy shell changes;
2. Ensure quick and reliable reloading;

The "cut off" device consists of a cartridge drop lever, which protrudes slightly beyond the lower part of the receiver, within easy reach of the trigger finger. The cartridge drop lever's

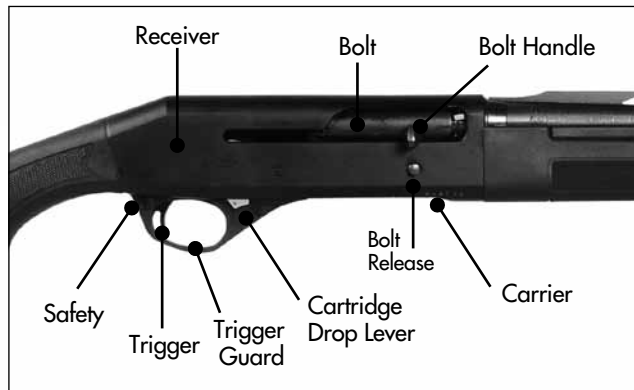
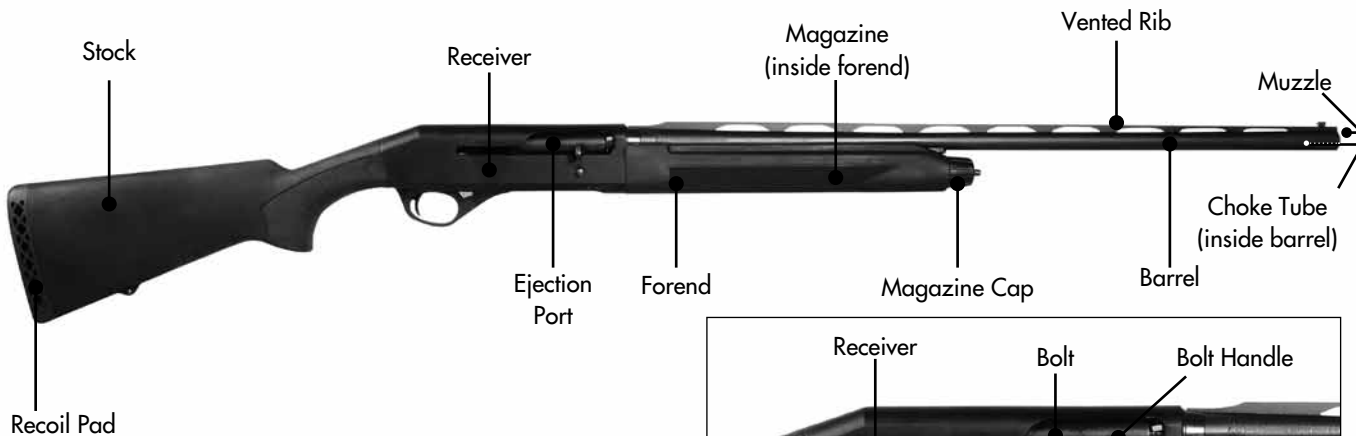
projection from the receiver can be easily seen. When the drop lever is visible the hammer is cocked and the shotgun is ready to fire. When a shot is fired, the hammer spring swings the cartridge drop lever upward, disengaging it from the carrier latch. The carrier latch is rotated clockwise, allowing one shell to come out of the magazine. The shell is deposited on the carrier where it presses against the rear of the carrier latch which rotates it in the opposite direction and blocks the next shell from exiting the magazine tube. The carrier, which is linked with the bolt, automatically raises, positioning the cartridge in front of the chamber. As the bolt closes it pushed the fresh shell into the chamber then the bolt lugs rotate into the lug recesses in the barrel extension. The operating cycle is now complete and shotgun is ready to fire again.

The Model 3020 line of shotguns uses inertia energy to cycle the action. It eliminates problems stemming from recoiling barrels, barrel vibrations when the shot is fired, or the need of an adjustment for powerful shells. It also eliminates the problems associated with gas-operated systems, which require frequent cleaning and can malfunction under adverse climactic conditions.

Note: The inertia system requires shells that generate enough kinetic energy (recoil) to fully cycle the action. The gun is designed to fire a minimum of 2 ¹/₂ dram loads. (7/8 oz).

Thanks to its high quality design, and 3 inch magnum chambers, the new Model 3020 shotgun work with a wide variety of ammunition.

STOEGER MODEL 3020



IMPORTANT TERMS TO BE FAMILIAR WITH:

Bore: The hole lengthwise through the barrel through which a fired shot charge passes.

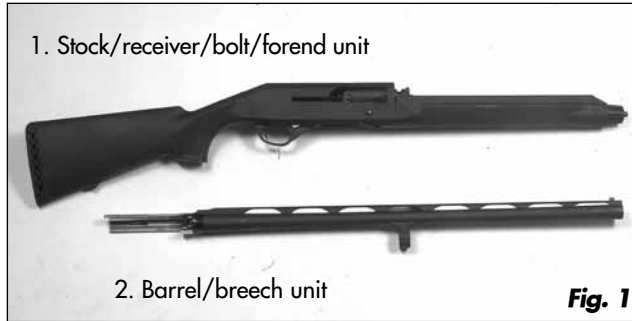
Chamber: The enlarged rear portion of the bore into which a cartridge is seated for firing.

Muzzle: The front face of the barrel from which the shot emerges.

Magazine: The space inside the gun where cartridges are stored to be fed into the chamber.

ASSEMBLY

The shotgun is packed for shipping in two sub-assemblies (Fig. 1).



The following procedure should be followed to ensure proper assembly of the shotgun:

1. Remove any forend and receiver assembly packing material.

Note: This material is only used for packing. Do not use during re-assembly.

2. Take the stock/receiver/ bolt/forend assembly and unscrew the magazine cap, removing the forend from the tubular magazine (Fig. 2).



3. Assemble the forend on the barrel/forend

assembly, by inserting over the barrel lug and placing it next to the barrel's underside (Fig. 3).



4. While holding the stock/receiver/bolt assembly in your right hand, take the previously assembled barrel/ forend assembly in your left hand and slide down over the tubular magazine, making sure that the forend goes over the tubular magazine (Fig. 4) and that it is properly centered on the receiver so that the bolt assembly can be properly seated. Be certain the barrel/forend assembly is pushed in all the way in (until you cannot push it further, the assembly clicks against metal and the forend mates perfectly to the receiver (Fig 5).

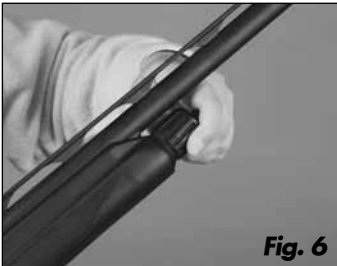


CAUTION:

It is not necessary to use excessive force during assembly. This firearm is designed using precise dimensions.

It may be necessary to rotate the barrel/forend assembly back and forth slightly to assist in seating the barrel fully into the receiver.

- 5.** Screw the magazine cap all the way onto the end of the tubular magazine (Fig. 6). Fasten it tightly so that the barrel/forend assembly is firmly seated against the receiver.



BEFORE LOADING

Be sure to select the proper ammunition. It must match the chamber of your gun (as marked on the barrel) and be appropriate to the type of game or sport you are shooting. This Stoeger semi-automatic shotgun is chambered in 20 gauge. It has been designed to fire 2 3/4" (2 1/2 dram 7/8 oz) to 3 " magnum (76mm) length with lead or steel shot.

CAUTION: Use of Full or Improved Modified choke tubes is not recommended with steel shot.

CAUTION: Use ONLY factory loaded ammunition. Use of re-loaded ammunition voids the 1-Year Factory Warranty.

WARNING: Always keep the firearm pointed in a safe direction.

MANUAL SAFETY:

1. Locate the manual safety.

NOTE: The Manual Safety Button is located at the rear of the trigger guard and should be in the "ON" or "SAFE" position at all times except immediately prior to firing.

2. To put the Manual Safety in the "ON" or "SAFE" position, push the



button from the left side of the gun so it extends fully to the right (ejection port) side of the trigger guard (Fig. 7). The Red ring on the safety button should not be visible when the safety is in the "ON" position.

3. To put the Manual Safety in the "OFF" or "FIRE" position, push the button from the right side until it fully extends to the left side of the trigger guard (Fig. 8).

NOTE: As an added reference, a red ring (DANGER) will be visible on the left side of the button when the Safety is in the "OFF" or "FIRE" position (Fig. 9).



WARNING: PUT THE MANUAL SAFETY IN THE "ON" OR "SAFE" POSITION.

WARNING: Visually check the barrel to be sure it is free of obstructions.

LOADING

The ammunition magazine, depending on the cartridge type, can accommodate , four 3" rounds or four 2 3/4" rounds. Counting a chambered round, this shotgun's ammunition capacity is 3 or 5 rounds, (depending upon whether the magazine limiter plug is installed.) To load the shotgun, follow the steps outlined below:

1. Make sure that the firearm is not loaded by opening the bolt with the bolt handle (Fig. 10) inspecting the chamber and magazine than closing it again by pushing the bolt release button (Fig. 11).

WARNING: PUT THE MANUAL SAFETY IN THE "ON" OR "SAFE" POSITION, pushing the safety button on the trigger guard from left to right until the red ring, is no longer visible.

WARNING: Although the safety is engaged throughout this operation, always keep the muzzle pointed in a safe direction.

NOTE: These movements also cock the hammer, a necessary step in loading the shotgun.

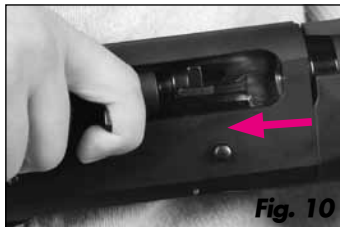


Fig. 10

2. Rotate the gun so you can access the bottom of the receiver. With the muzzle pointed in a safe direction, insert the shells into the bottom of the receiver (Fig. 12), pushing up into the shell carrier arm and forward into the magazine tube until it disappears completely into the magazine tube and is held in place by the carrier latch.

3. Repeat the previous step until the magazine is fully loaded.

NOTE: The shotgun must be loaded with the hammer cocked in order to allow the carrier to move inward and provide full access to the bottom of the magazine tube. The cartridge drop lever (indicating the hammer is cocked) should be fully visible. If the hammer needs to be cocked, follow the procedure outlined above.

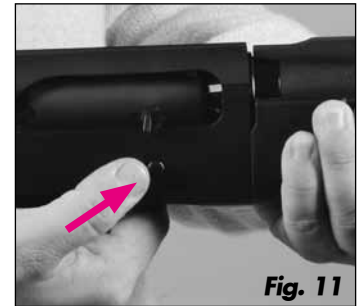


Fig. 11

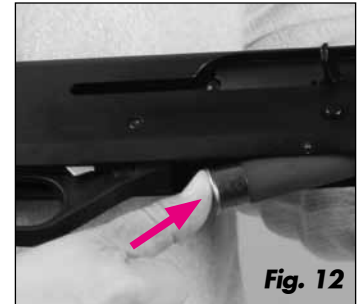


Fig. 12

LOADING (Continued)

At this point the shotgun cannot fire unless a round is chambered, by following these steps:

1. Open the bolt by pulling back the bolt handle.
2. While holding the bolt open, place a round on the carrier through the ejection port (Fig. 13).
3. Let go of the bolt handle. The bolt will slide forward, fully chambering the round and locking the breech.



CAUTION: Do not “ride” the bolt forward, it must be allowed to freely travel in order to achieve lock-up.

WARNING: Although the safety catch is engaged throughout this operation, always keep the muzzle pointed in a safe direction.

WARNING: The shotgun is now loaded and ready to fire. By switching the safety to the “OFF” or “FIRE” position (red ring is visible on the safety’s left side), the firearm is ready to fire.

Note: Due to precision-machined tolerances on your shotgun, some break-in period may be required before your new gun will function reliably with 7/8 oz target loads. If you experience initial functioning problems with 7/8 oz loads, we recommend firing three or four boxes of standard hunting loads to allow for this break-in period.

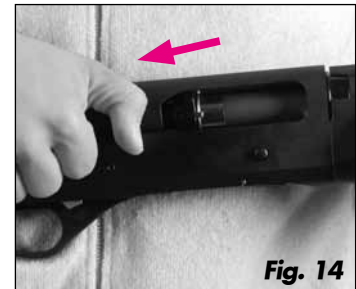
REPLACING A CARTRIDGE IN THE CHAMBER

WARNING: PUT THE MANUAL SAFETY IN THE “ON” OR “SAFE” POSITION.

WARNING: Although the safety is engaged throughout this operation, always keep the muzzle pointed in a safe direction.

MANUAL CARTRIDGE SUBSTITUTION – To substitute a round in the chamber with another round, follow these steps:

1. Rest the butt of the stock on your hip and open the bolt by pulling back on the bolt handle (Fig.14). The round in the chamber will be extracted from the action and be ejected.



2. While holding the bolt to the rear, place the new round on the carrier through the ejection port (Fig. 13).

3. Release the bolt lever, allowing the bolt to close and fully chamber the round.

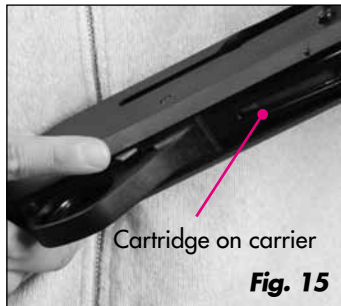
MECHANICAL CARTRIDGE SUBSTITUTION – To substitute a round using the cartridge drop lever to substitute a round in the chamber with another round from the magazine, follow these steps:

WARNING: PUT THE MANUAL SAFETY IN THE “ON” OR “SAFE” POSITION.

WARNING: Although the safety is engaged throughout this operation, always keep the muzzle pointed in a safe direction.

1. Rest the butt of the stock on your hip and open the bolt by pulling back on the bolt lever. The round in the chamber will be extracted and ejected; then release the bolt, allowing it to close.

2. Press the cartridges drop lever (Fig. 15) so that the first round in the magazine is deposited onto the carrier.



3. Draw the bolt back completely to the rear and release it, allowing the bolt to close again and fully chamber the round.

UNLOADING

To unload the shotgun, follow the steps outlined below:

WARNING: PUT THE MANUAL SAFETY IN THE “ON” OR “SAFE” POSITION.

WARNING: Although the safety is engaged throughout this operation, always keep the muzzle pointed in a safe direction.

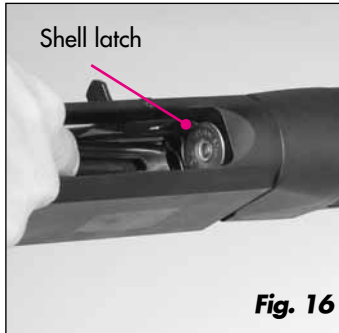
1. Rest the butt of the stock on your hip and open the bolt by pulling back on the bolt lever. The round in the chamber will be extracted from the chamber and ejected.

2. Release the bolt, allowing the bolt to close on an empty chamber.

UNLOADING (Continued)

3. Turn the shotgun upside down and, while pushing the carrier downward, push the front end of the carrier latch in with your right hand index finger (Fig. 16).

4. The round in the magazine will eject from the magazine under spring pressure, and can be removed by hand.



CAUTION: The magazine spring, when fully compressed, can yield enough force to cause injury during the unloading process. Use care when unloading the magazine.

NOTE: The carrier latch must be pressed once for each round that needs to be extracted from the magazine.

NOTE: The shotgun can be completely unloaded by repeating the steps outlined above as many times as there are shells.

WARNING: Visually and physically check the chamber and magazine to be certain the gun is completely unloaded.

DISASSEMBLY

Note: See the preceding instructions on unloading.

WARNING: Before attempting any work on your Stoeger Model 3020, make sure that the chamber and the magazine of your shotgun are unloaded.

To strip the gun for routine cleaning and maintenance, follow the steps outlined below:

- 1.** Unscrew the magazine cap, removing it from the magazine.
- 2.** While resting the stock against your hip, grab the stock/receiver assembly with your right hand and the barrel/forend assembly with the left hand. Pull the latter forward and completely off the magazine tube.
- 3.** Rotate the rear of the forend assembly and separate it from the barrel by pulling it off of the barrel ring.
- 4.** Pull the bolt handle off the bolt while holding the action open slightly.

5. While holding the action bar with your left hand to counter balance the thrust of the recoil spring, push the carrier release button (Fig. 17) and ease the bolt forward until the recoil spring no longer pushes it forward.

6. Pull the bolt assembly out of the receiver.

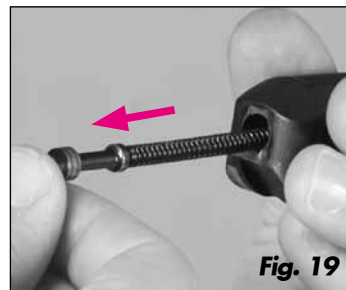
DISASSEMBLY OF THE BOLT

CAUTION: The firing pin is under spring pressure.

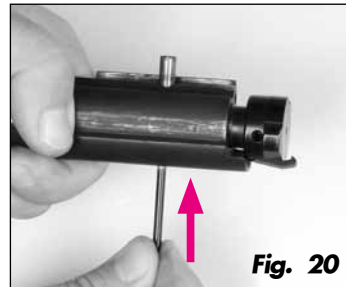
7. While holding the firing pin and firing pin spring in place, remove the firing pin retaining pin from the bolt assembly (Fig. 18).



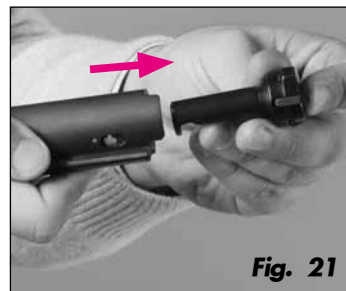
8. Remove the firing pin and firing pin spring from the bolt (Fig. 19).



9. Remove the locking head pin from the bolt (Fig. 20).

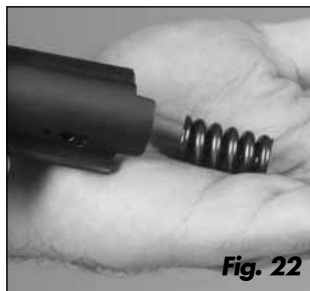


10. Pull the locking head from the bolt body (Fig. 21).

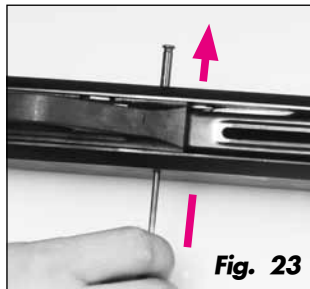


DISASSEMBLY (Continued)

11. Remove the inertia spring from its seat in the bolt, dropping it into the palm of your hand (Fig. 22).



12. Push the trigger guard pin out of the stock/receiver assembly using an appropriate punch from left to right (Fig. 23).



13. Press and hold the bolt release with the left hand and pull the trigger guard assembly out of the receiver with the right hand (Fig. 24).



The shotgun is now completely stripped. All the parts that require routine maintenance and cleaning are disassembled.

CAUTION: Further disassembly of the trigger group is not recommended, except by a qualified gunsmith.

ASSEMBLY AFTER CLEANING

Following routine maintenance and/or cleaning, the shotgun should be reassembled as follows:

1. Hold the stock/receiver assembly with your left hand, and keeping the carrier release button pressed with the left hand thumb, insert the complete trigger group assembly inside the receiver with the right hand -- with the hammer cocked -- , positioning it so that its rear is in contact with the receiver (Fig. 24).

2. Push the trigger guard pin into the receiver from the right to left, until it is flush with the outside of the receiver (Fig. 23).

3. Place the inertia spring in the bolt.

WARNING: Always make sure that the inertia spring (or bolt recoil spring) is positioned between the locking head and the bolt itself, in order to avoid discharging the weapon when the bolt is closed.

4. Slide the locking head into the bolt, making sure that the hole in the bolt body aligns with the groove in the shank of the locking head, then place the locking head pin in the bolt.

NOTE: The slanted surfaces on the locking head's stem should not be visible once the bolt-locking head is mounted.

NOTE: The locking head pin is staked in place and we do not recommend disassembly for routine cleaning. If the pin is removed it needs to be restaked to on assembly to prevent damage to the receiver.

5. Insert the firing pin and the firing pin spring inside the bolt.

NOTE: Always make sure that the firing pin has been inserted with its spring.

6. Insert the firing pin retaining pin in its seat, so as to secure the firing pin.

WARNING: Improper assembly of the bolt group can cause accidental discharge resulting in serious injury or death. Ensure that the assembly of the bolt group is completed in the specified order

7. Place the recoil spring over the magazine tube and insert the bolt assembly in its guide on the action bars, making sure that the bolt is mated with the action bar, and is fully seated (Fig. 25). Slide the action bar assembly over the magazine tube and into the receiver. Install bolt handle.

8. Finish assembling the shotgun by following all the steps outlined under the section "Assembly of Packaged Gun" page 7.

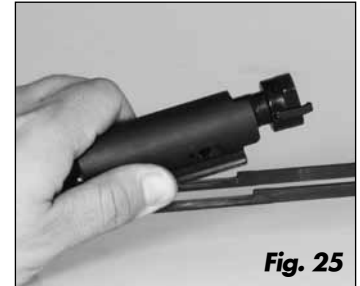


Fig. 25



Fig. 26

FUNCTION TEST

To function test the shotgun after assembly, follow the steps listed below:

WARNING: Visually and manually check the chamber and magazine to be certain the gun is completely unloaded.

WARNING: Although the safety is engaged throughout this operation, always keep the muzzle pointed in a safe direction.

1. Start with the shotgun fully assembled (see Assembly Instructions, Page 7)
2. Depress cartridge drop lever and pull the bolt completely to the rear. The bolt should lock open.
3. Put the manual safety in the "ON" or "SAFE" position by pushing it from the left side until the red ring is no longer visible on the left side.
4. Press the bolt release button. The bolt should close.
5. Attempt to fire by pulling the trigger. The hammer should not fall.
6. Put the manual safety in the "OFF" or "FIRE" position by pushing it from the right side until the red ring is visible on the left side - indicating "DANGER".
7. Pull and hold trigger back. The hammer should fall.
8. While holding the trigger to the rear, open the bolt. Press the bolt release and let the bolt go forward.
9. Release the trigger. A click should be heard
10. Pull the trigger. The hammer should fall.

MAINTENANCE

Note: See the instructions for unloading on page 10.

WARNING: Before attempting any work on your Stoeger Model 3020, make sure that the chamber and the magazine of your shotgun are unloaded.

Thanks to its extreme simplicity and careful choice of materials, the Model 3020 shotgun does not require any special maintenance, aside from the following simple operations:



1. Routine barrel cleaning after shooting.
 - a. Remove & clean choke tube and choke tube recess in barrel
2. Disassemble per instructions (on page 13). Clean any fouling or debris from receiver and oil bolt rails and outside of the magazine tube.
3. The bolt assembly can also become fouled with powder residue and should be routinely stripped, cleaned and oiled.
4. Clean any fouling or debris from trigger assembly.

Keep all parts oiled to keep the shotgun in working condition.

TROUBLE SHOOTING

If the gun fails to fire:

WARNING: Keep the firearm pointed in a safe direction.

1. Check the manual safety. If it is engaged, shift the safety button to the "OFF" or "FIRE" position.
2. Check the firing mechanism and, if necessary, clean and lubricate it.

AMMUNITION

USE ONLY SUITABLE FACTORY LOADED AMMUNITION:

This Stoeger semi-automatic shotgun is chambered in 20 gauge. It has been designed to fire 2 3/4" (70mm) to 3 " (76mm) length with lead or steel shot. Use of Full or Improved Modified choke tubes is not recommended with steel shot.

Note: No adjustments to the shotgun are necessary to fire any of the ammunition listed above.

WARNING: Never use cartridges with a case longer than the chamber, as this would have serious consequences for both the gun and the shooter.

WARNING: Use ONLY factory loaded ammunition. Use of re-loaded ammunition voids the 1-Year Factory Warranty.

Note: always use ammunition that is powerful enough to fully cycle the action. Minimum recommended load 2 1/2 dram 7/8 oz.

REMOVING THE MAGAZINE LIMITER PLUG

Since hunting regulations in some areas limit the number of cartridges allowed in the magazine, this shotgun comes with a limiter plug installed that reduces its magazine capacity to two shells.

WARNING: Before performing this procedure, always make certain that the gun is in a "safe condition" by taking the following steps: 1) Put the safety in the "on" or safe position. 2) Open the action by pulling the bolt fully rearward until it locks in the open position. 3) Visually and physically check to be sure no ammunition is present in the chamber or magazine.

To remove the limiter plug, follow the steps listed below:

1. Unscrew and remove the magazine cap.
2. Using lack ring pliers carefully remove the magazine spring retainer. Be careful since the cap is under substantial spring pressure. Remove the limiter plug.
3. Reinstall the magazine spring retainer then the magazine cap.



Resim. 27

CHOKE TUBE OPERATION

To change or clean the internal choke, proceed as follows:

WARNING: Visually and manually check to be sure no ammunition is present in the chamber or magazine.

1. Unscrew the internal choke using the special choke wrench supplied with the shotgun and extract it completely from the barrel seat.
2. If the barrel threads are fouled, clean with solvent and synthetic bristle brush.
3. Clean choke tube threads and apply appropriate lubricant prior to installation.

To replace the choke tube, follow the same procedure, using a clockwise turn, until the choke tube is completely fitted into the end of the barrel.

CAUTION: When properly assembled, the choke tube should not protrude from the end of the barrel.

NOTE: Complete the choke assembly by thoroughly tightening it in place with the supplied choke wrench.

CAUTION: Before using the shotgun, make sure that the choke wrench has been removed from the barrel muzzle.

Note: Before the shotgun is put away, cleaning the internal choke and its barrel thread is recommended.

CHOKE TUBE MARKINGS

See the chart below for choke tube designations and recommendations.

Rim Marking (notches)	Pattern With Lead	Pattern With Steel (depend on shot size)	Availibiliy
	Turkey Choke	DO NOT USE	Included w / gun
*	Full	DO NOT USE	Available Separately
**	Imp. Modified	DO NOT USE	Available Separately
***	Modified	Full	Included w / gun
****	Imp. Cylinder	Modified	Included w / gun
*****	Cylinder	Imp. Cylinder	Available Separately



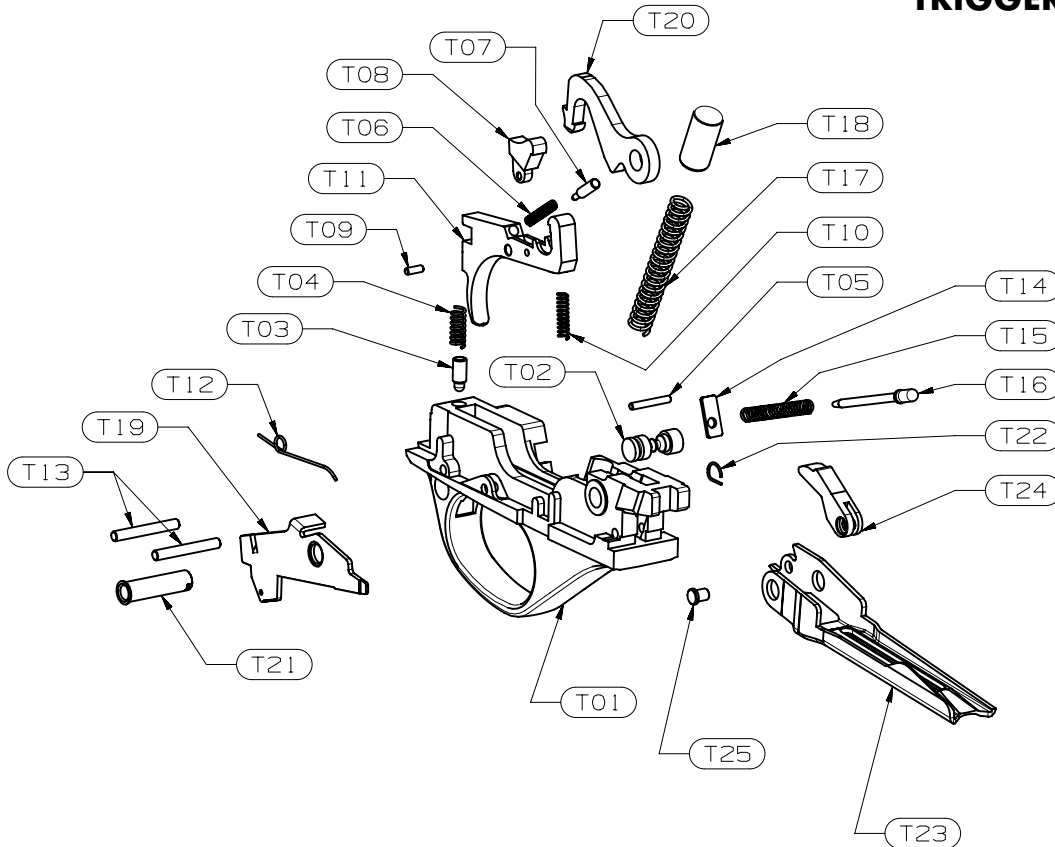
"Included"



"Included"

"Included"

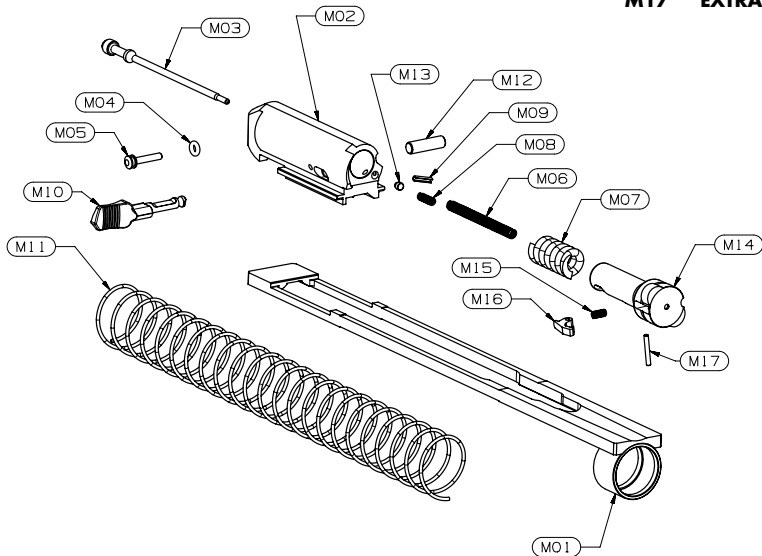
TRIGGER GROUP ASSEMBLY



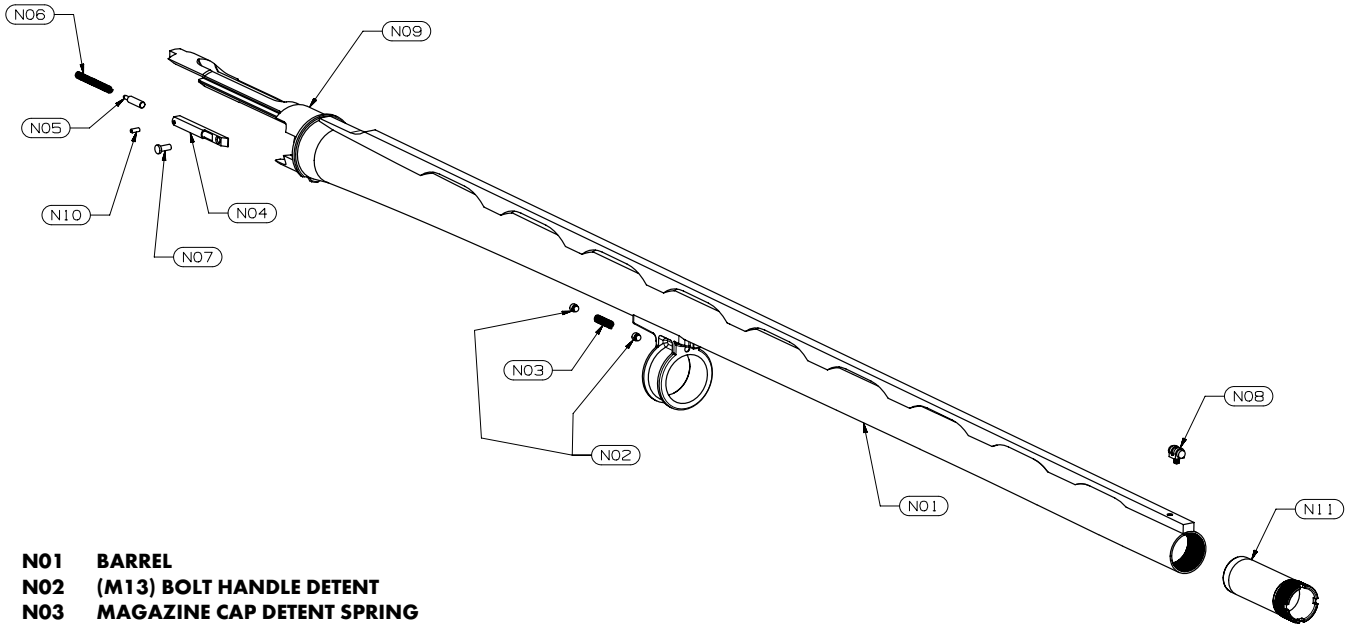
- T01 TRIGGER GUARD**
- T02 MANUAL SAFETY BUTTON**
- T03 MANUAL SAFETY PLUNGER**
- T04 SAFETY SPRING**
- T05 SAFETY SPRING RETAINING PIN**
- T06 DISCONNECTER PLUNGER SPRING**
- T07 DISCONNECTER PLUNGER**
- T08 DISCONNECTER**
- T09 DISCONNECTER PIN**
- T10 TRIGGER SPRING**
- T11 TRIGGER**
- T12 CARTRIDGE DROP LEVER SPRING**
- T13 TRIGGER PIN**
- T14 CARRIER SPRING PLATE**
- T15 CARRIER SPRING**
- T16 CARRIER SPRING PLUNGER**
- T17 HAMMER SPRING**
- T18 HAMMER SPRING CAP**
- T19 CARTRIDGE DROP LEVER**
- T20 HAMMER**
- T21 HAMMER PIN**
- T22 TRIGGER GUARD PIN SPRING**
- T23 CARRIER**
- T24 BREECH BOLT LATCH**
- T25 BREECH BOLT LATCH PIN**

BOLT ASSEMBLY

- | | | | |
|------------|---------------------------------|------------|--|
| M01 | ACTION BAR | M08 | BOLT HANDLE DETENT SPRING |
| M02 | BOLT | M09 | BOLT HANDLE RETAINING PIN PLUNGER |
| M03 | FIRING PIN | M10 | BOLT HANDLE |
| M04 | O-RING | M11 | ACTION BAR SPRING |
| M05 | FIRING PIN RETAINING PIN | M12 | LOCKING HEAD PIN |
| M06 | FIRING PIN SPRING | M13 | BOLT HANDLE DETENT |
| M07 | INTERNIA SPRING | M14 | LOCKING HEAD |
| | | M15 | EXTRACTOR SPRING |
| | | M16 | EXTRACTOR |
| | | M17 | EXTRACTOR PIN |

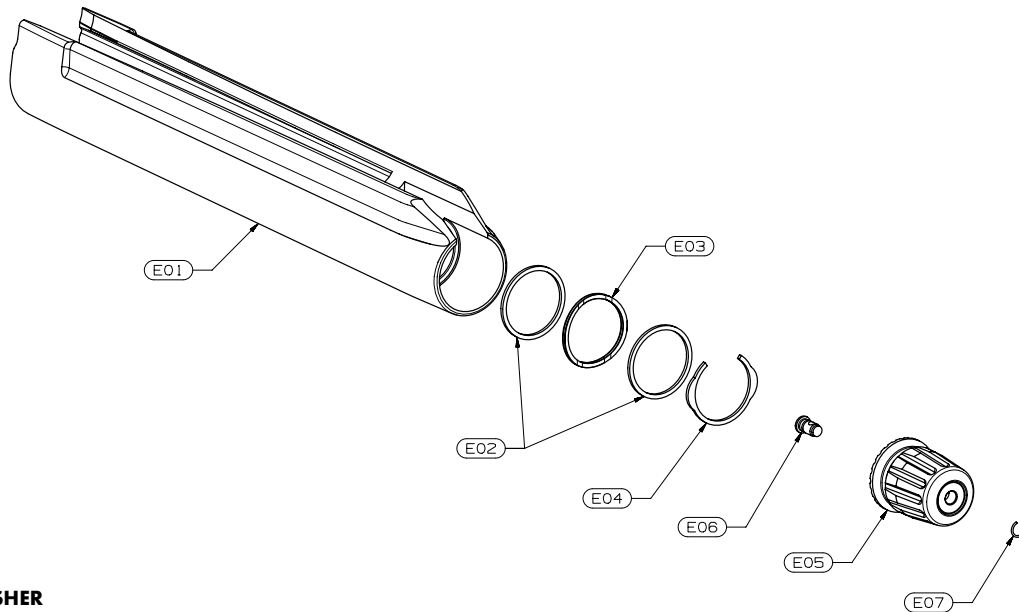


BARREL ASSEMBLY



- N01 BARREL**
- N02 (M13) BOLT HANDLE DETENT**
- N03 MAGAZINE CAP DETENT SPRING**
- N04 EJECTOR**
- N05 EJECTOR PLUNGER**
- N06 EJECTOR SPRING**
- N07 EJECTOR RIVET**
- N08 FRONT SIGHT**
- N09 BARREL EXTENSION**
- N10 EJECTOR SPRING RETAINING PIN**
- N11 CHOKE**

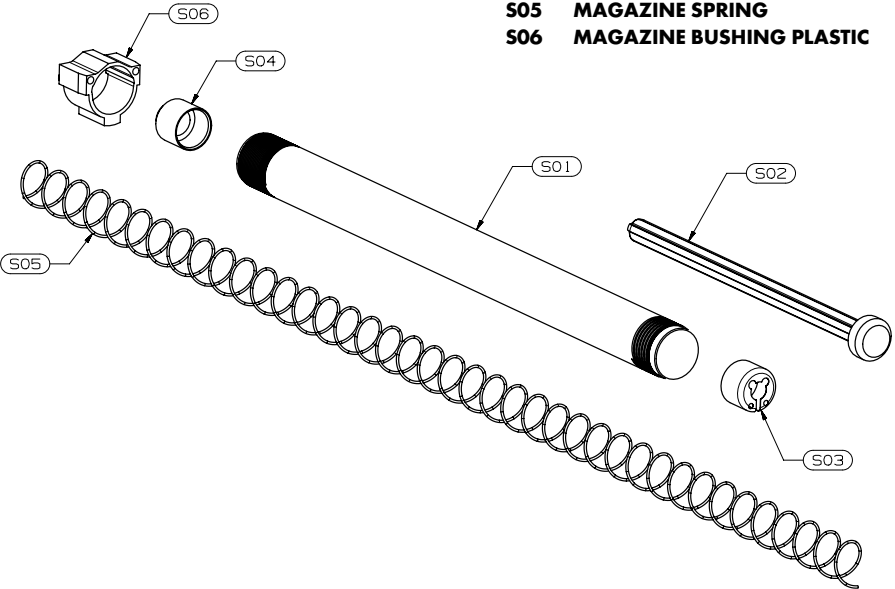
FORE-END ASSEMBLY



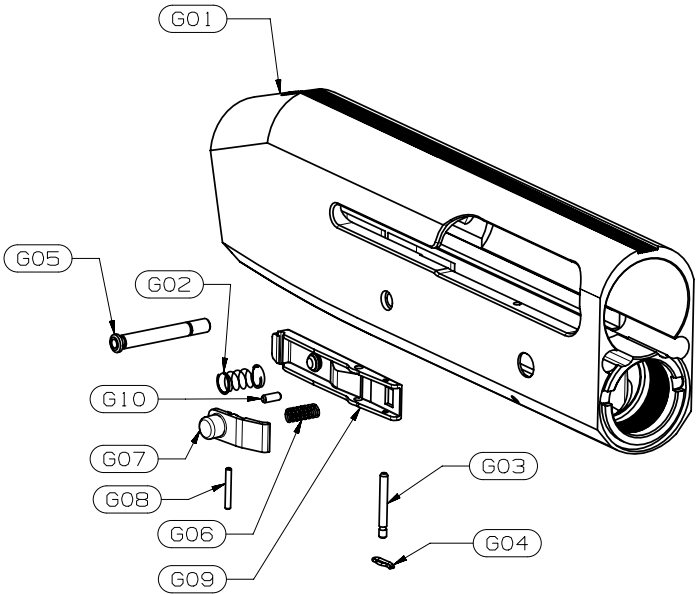
- E01 FOREND**
- E02 FLAT WASHER**
- E03 CURVED WASHER**
- E04 RETAINING WASHER**
- E05 MAGAZINE CAP**
- E06 FOREND SWIVEL STUD**
- E07 SWIVEL STUD SPRING**

MAGAZINE TUBE ASSEMBLY

- S01** MAGAZINE TUBE
- S02** LIMITER PLUG
- S03** MAGAZINE SPRING RETAINING CAP
- S04** MAGAZINE FOLLOWER
- S05** MAGAZINE SPRING
- S06** MAGAZINE BUSHING PLASTIC

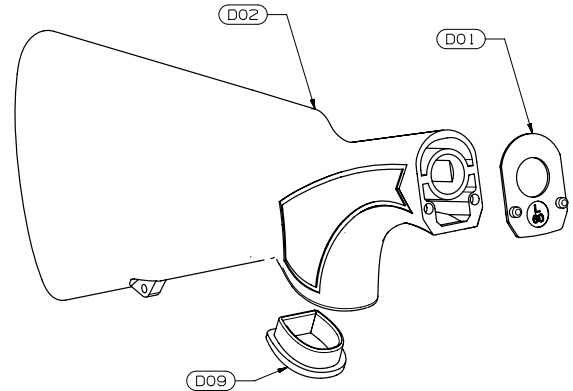
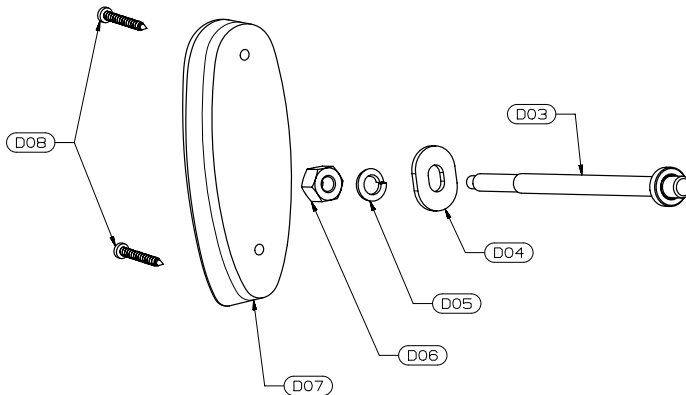


RECEIVER ASSEMBLY



- G01 RECEIVER
- G02 CARRIER LATCH SPRING
- G03 CARRIER LATCH PIN
- G04 CARRIER LATCH PIN CLIP
- G05 TRIGGER GUARD PIN
- G06 CARRIER LATCH EXTRACTOR SPRING
- G07 CARRIER LATCH EXTRACTOR
- G08 CARRIER LATCH EXTRACTOR PIN
- G09 CARRIER LATCH
- G10 CARRIER LATCH EXTRACTOR BALANCE PIN

STOCK ASSEMBLY



- D01 STOCK SHIM PLATE**
- D02 STOCK**
- D03 STOCK SCREW**
- D04 STOCK SCREW WASHER - OVAL**
- D05 STOCK SCREW ELASTIC WASHER**
- D06 LOCKING STOCK NUT**
- D07 RECOIL PAD**
- D08 RECOIL PAD SCREW**
- D09 GRIP CAP**

STOEGER MODEL 3020

Use the space below to record information about your STOEGER MODEL 3020.

Model:

Notes:

Serial Number:

Purchased From:

Address:

Date of Purchase:



READ CAREFULLY BEFORE USING THIS FIREARM

**IMPORTANT! Do not discard! Keep this manual with your shotgun.
It should accompany the shotgun to any new owner.**

**MOST GUN ACCIDENTS HAPPEN BECAUSE THE SHOOTER CARELESSLY VIOLATES
THE SINGLE MOST IMPORTANT RULE OF SAFE GUN HANDLING:**

ALWAYS KEEP THE MUZZLE POINTED IN A SAFE DIRECTION!

For Sales, Customer Service, Accounting and Marketing contact:

Stoeger Industries, Inc., 17603 Indian Head Highway, Suite 200, Accokeek, Maryland 20607-2501

Toll Free: 800-264-4962 Fax: 301-283-6986 www.StoegerIndustries.com

SHIP FIREARMS FOR REPAIR ONLY TO THE ADDRESS BELOW:

Stoeger Industries, Inc., 901 EIGHTH STREET, POCOMOKE CITY, MARYLAND 21851

Warranty Repairs can ONLY be performed by the Stoeger Authorized Warranty Repair Facility.