



WARNINGS AND INSTRUCTION MANUAL

MC28 SA



MC 9



***READ THESE WARNINGS AND
INSTRUCTIONS BEFORE USING***



INDEX

Your Owner's Manual.....	3
Firearm Safety / Disclaimer of Liability.....	4
Firearm Safety Rules.....	5-8
Overview.....	9-10
Technical Specifications.....	11
Operating System / Usage.....	12
Preparing to Shoot / Loading the Magazine.....	13
Type of Ammunition to be Used / Target Line.....	14
Loading.....	15
Shooting.....	16
Unloading / Unloading the Magazine.....	17
Maintenance and Cleaning / Disassembly.....	18-19
Cleaning the Pistol.....	20-21
Assembly.....	22
Changing the Back-Strap.....	23
Changing the Magazine Release.....	24
Malfunction / Remedy.....	25
Exploded View.....	26
Manufacturer's Warning / Warranty.....	28
Manufacturer / Importer.....	29

 **WARNING**

Children are attracted to and can operate firearms that can cause severe injuries or death. Prevent child access by always keeping guns locked away and unloaded when not in use. If you keep a loaded firearm where a child obtains and improperly uses it, you may be fined or sent to prison.

 **ADVERTENCIA**

A los niños les atraen las armas de fuego y los pueden hacer funcionar. Ellos pueden causarse lesiones graves y la muerte. Evite que los niños tengan acceso a las armas de fuego guardándolas siempre con llave y descargadas cuando no las esté utilizando. Si usted tiene un arma de fuego cargada en un lugar en que un niño tiene acceso a ella y la usa indebidamente. Le pueden dar una multa o enviarlo a la cárcel.

IMPORTER:

European American Armory Corp.
1426 King Street
Cocoa, FL 32922
www.eaacorp.com
eaacorp@eaacorp.com

MANUFACTURER:

GIRSAN
Teyyaredüzü Mh, Sunta Sk. No: 25
GIRESUN
T: +90 454 215 29 31
: +90 454 215 39 35
F: +90 454 215 39 28
www.girsan.com
girsan@girsan.com

YOUR OWNER'S MANUAL

Always keep this manual with your firearm. Make sure you understand all the warnings, operation instructions and safety procedures. When you lend, give or sell the firearm, be sure this manual goes with it. You can get a copy of this manual from EAA Corp upon request. ALL PARTS ORDERS ARE SUBJECT TO A \$10.00 CHARGE FOR SHIPPING AND HANDLING. Please state Model, Caliber, Serial Number, and Finish Color when ordering. For parts, information and service contact:

European American Armory Corporation
1426 King Street
Cocoa, FL 32922
(321) 639-4842



WARNING: These products can expose you to chemicals including LEAD, which is known to the State of California to cause cancer and birth defects or other reproductive harm. For more information go to www.P65Warnings.ca.gov.



ADVERTENCIA: Este producto puede exponerle a químicos incluyendo PLOMO, que es conocido por el Estado de California como causante de cáncer y defectos de nacimiento u otros daños reproductivos. Para mayor información, visite www.P65Warnings.ca.gov.

Note: This manual was prepared to include instructions for all MC28 SA models. Photographs shown in this manual may not be from the exact model that you have but the instructions will still apply.

FIREARM SAFETY

Safe firearms handling is the most important consideration of anyone who uses firearms and ammunition. Please take a few minutes to thoroughly read and understand this instruction manual. You should completely understand this manual before you practice loading, unloading and firing with live ammunition.

Remember, firearms safety does depend on you!

Serial No. _____

Date Purchased: _____

Purchased From: _____

WARNING: Prior to removing this gun from its packaging, and prior to loading and firing, carefully and thoroughly read the entire instruction manual which gives advice on the gun's proper handling and functioning. However, your safety and that of others (including your family) depends on your responsible compliance with that advice. If unfamiliar with firearms seek supervised instruction.

DISCLAIMER OF LIABILITY

Neither EAA Corp or Girsan, shall be responsible for product malfunctioning or for physical injury, death or damage to property resulting from either intentional or accidental discharge of this firearm, its criminal or negligent use, improper or careless handling, unauthorized modifications or alterations, use of defective or improper or hand-loaded or (replaced) ammunition, or from its use for purposes or subjection to treatment for which it was not designed. For your safety, use only original high quality commercially manufactured ammunition in good condition that is appropriate to the caliber/gauge of your gun. EAA Corp and Girsan shall not be responsible for product or its result from use of defective, improper or reloaded ammunition. EAA Corp and Girsan reserve the right to add to/ modify the content of this manual at any time.

FIREARMS SAFETY IS YOUR RESPONSIBILITY. GENERAL SAFETY WARNINGS:

1. Careless and improper handling of this gun could result in unintended discharge causing injury, death or property damage. Safety must be the first and constant consideration when handling a firearms and ammunition.
2. This pistol was designed to function properly in its original condition. Alterations can make it unsafe. Do not alter any part or add or replace parts.
3. Shotguns should only be carried with the action open and chambers empty to prevent accidental discharge.
4. **Always handle and treat your gun as if it were loaded** so you never fire it accidentally when you think it is unloaded. Never take anyone's word it is unloaded. Always check it yourself with your fingers off the trigger and the gun pointed in a safe direction.
5. Never place your finger inside the trigger guard unless you intend to fire.
6. Water, snow, mud, excessive lubricating oil or grease or any other material can obstruct the barrel of your gun. Always check the barrel of your firearm for obstruction before loading and firing. Clean a fouled gun immediately to ensure its correct and safe function.
7. **Keep the gun's muzzle pointed in a safe direction at all times.** Never let the muzzle of a firearm point at any part of your body, another person or at anything you do not intend to shoot. Always be certain of your target before firing.
8. **UNLOAD ALL FIREARMS WHEN NOT IN USE, NEVER STORE A LOADED FIREARM.** Firearms and ammunition should be safely stored separately so that they are inaccessible to children or unauthorized users.
9. Always make sure your gun is not loaded before cleaning, storing, or handing it to another person.
10. Always wear safety glasses while shooting to protect your eyes from injury by gun powder, gas, lubricant, dirt or metallic particles, carbon residue, sparks or other debris.
11. Always wear ear protection when shooting, especially on a range. Without ear protection, the noise from your gun, and other guns close to you, could leave a "ringing" in the ears for some time after firing. Repeated exposure to shooting noise could result in permanent hearing loss.
12. Never climb a tree, fence or wall while carrying a loaded firearm.
13. Don't shoot at hard surfaces or at water. A pellet may ricochet and travel in unpredictable directions to strike you or an object you cannot see.

14. Firearms and alcohol don't mix. Never drink alcoholic beverages or take drugs before or during shooting, as this constitutes criminal disregard for your safety and that of others. Never use a gun while you are taking medication unless you have checked with your doctor to ensure your fitness to handle your gun safely.
15. If you have any doubts about your ability to handle or use this pistol safely, seek supervised instruction.
16. Horseplay has no place around firearms. Guns can't think - you can!
17. Remember, safety is your responsibility, be a safe shooter.
18. **FOLLOW THE LAW:** Obey all local, state and federal laws regarding storage, shooting and transporting your firearm.

FOLLOWING THESE SAFETY RULES CAN SAVE YOUR LIFE OR THE LIFE OF SOMEONE ELSE

Get instructions from a competent firearms instructor before using this or any firearm. Learn from a professional how to handle, load, unload, operate, fire and care for your gun.

NEVER PLAY with your firearm. It is not a toy and can be a very dangerous weapon that can cause serious personal injury or death.

Always keep the gun pointed in a safe direction. Treat every gun as if it is loaded ... all the time. **NEVER** point any firearm (loaded or unloaded) at any person or anything you do not intend to shoot. Always keep your gun unloaded until ready to use and make sure that it is unloaded before cleaning.

Keep your finger **OFF** the trigger until you are actually aiming at the target and ready to shoot. Learn to rest your finger outside of the trigger guard.

Never rely on a gun's "safety" to protect you from unsafe gun handling. A safety is only a mechanical device, not a substitute for using common sense and following gun safety procedures.

Never leave a gun unattended or where it could fall.

Test your gun's operation and safeties only at a shooting range while the firearm is pointed in a safe direction.

Know your target and what is beyond. Ask yourself what the projectile will hit if it misses the target or passes through the intended target. Remember, a fired projectile can travel over a mile (including a ricochet) and is capable of going through walls. Never shoot at hard flat surfaces or water ... bullets ricochet.

FOLLOWING THESE SAFETY RULES CAN SAVE YOUR LIFE OR THE LIFE OF SOMEONE ELSE

Guns and alcohol or drugs do not mix. Don't take any alcoholic beverages and/ or drugs before or during shooting activities.

Never pull a gun toward you by the muzzle. Don't climb a tree, cross a ditch or fence with a loaded gun. Always empty guns before entering a house, car, truck, boat, RV, camp or any building. When receiving a gun, always open the action and check to make sure the chamber is unloaded.

NEVER accept anyone's word that a gun is "unloaded" or "empty." You should immediately open the action and check to make sure it is unloaded. Be careful with ALL ammunition. Even "blank" cartridges are deadly at close range due to the muzzle blast. Make sure your ammunition is new and in good clean condition. Do NOT oil or grease ammunition as this may damage the cartridge primer. Do NOT tamper with or alter the standard factory ammunition.

Keep firearms unloaded when not in use. Load the gun only when on the range preparing to fire and unload it before leaving the range.

Never put your hand over the muzzle of a gun.

ALWAYS wear protective shooting glasses and hearing protection when using firearms.

Spectators should be at least 10 feet behind and away from the shooter while the shooter is loading, shooting and unloading. Spectators should wear protection for hearing and sight loss and they should avoid distracting those shooting their firearms.

Never drop your gun. If you do drop it, unload it and check it for proper function before using it again. Do **NOT** alter or modify your gun. Don't try to change your gun's trigger pull, because it may affect sear engagement and thereby cause accidental firing.

Do **NOT** remove any internal safety or safety device on the firearm. Safety mechanisms are designed to help protect you from injury or death.

Store guns and ammunition separately beyond the reach of children. Make sure that they are properly secured so untrained individuals and children will be denied access to your guns and ammunition.

FOLLOWING THESE SAFETY RULES CAN SAVE YOUR LIFE OR THE LIFE OF SOMEONE ELSE

Properly maintain and keep your gun clean. Keep it in a dry place away from other metals and water. If your gun shows sign of corrosion or improper operation, have it serviced by a competent gunsmith. Keep the muzzle pointed in a safe direction when loading and unloading your gun. Never point the muzzle at anyone. Never put your hand over the muzzle of a gun.

Never let water, snow, mud or other material enter the barrel. Always be sure the barrel is free of any obstruction.

If a gun fails to fire when the trigger is pulled, keep it pointed down range at the target for 60 seconds. Sometimes slow primer ignition will cause a “hang fire” and the cartridge will go off after a short pause. If it fails to fire, keep muzzle pointed in a safe direction and avoid exposure to the breech, as you attempt to unload your firearm.

Use the correct ammunition for your gun. Do **NOT** use the wrong size or wrong strength ammunition in your firearm. **Teach children: 1. NOT** to touch guns, bullets, cartridges, shells, flares or any explosive device and **2.** That if they discover such a dangerous item or weapon, they must immediately report its location to their parents, school teacher or police.

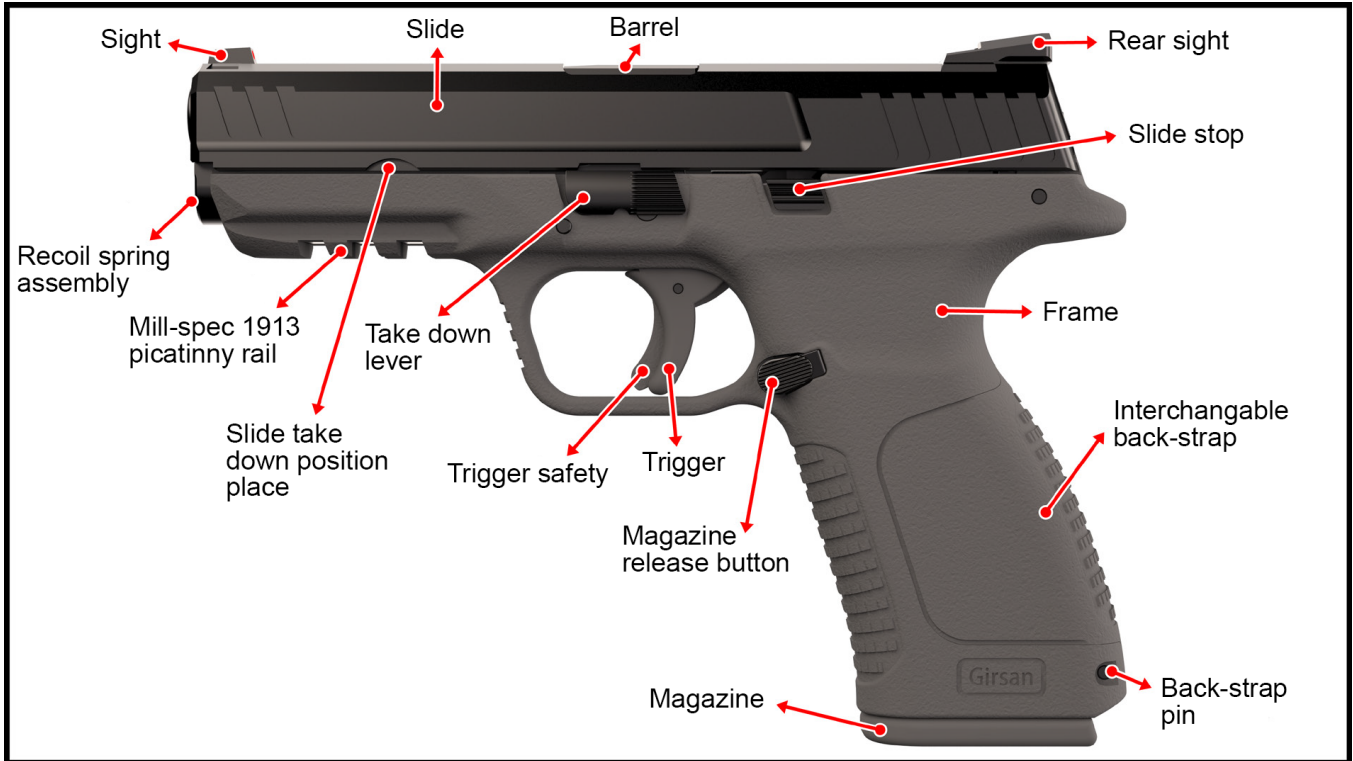
Remember a firearm has the capability of taking your life or the life of someone else. Be careful with your firearm – an accident is almost always the result of not following basic safety rules.

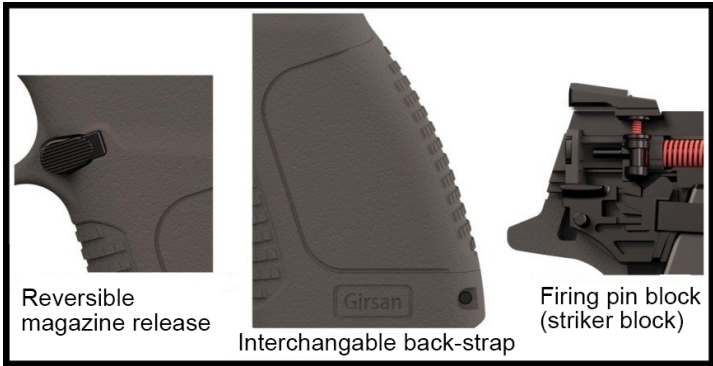
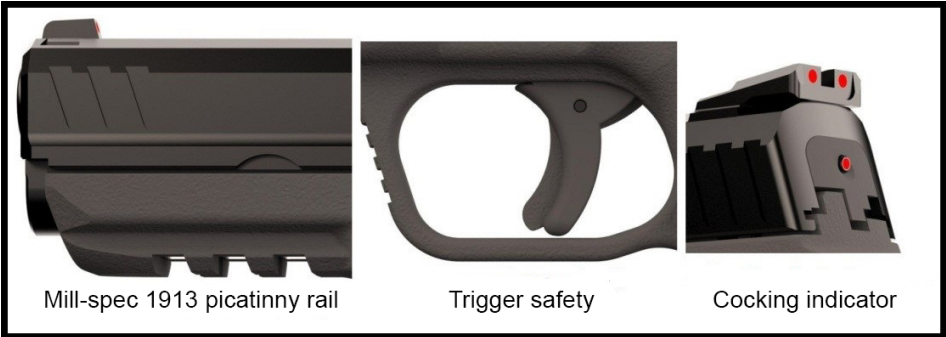
USED FIREARMS – Firearms are sometimes altered to work incorrectly, or parts may be removed, lost or replaced with incorrect parts. If you got your EAA Corp firearm as a used gun, **BEFORE USING IT** you should take it to a good gunsmith who knows EAA Corp firearms, and have them examine it.

Write EAA Corp concerning any items or circumstances which you don't understand and which might relate to your safety and the operation of your firearm at:

**EAA Corporation
1426 King Street
Cocoa, FL 32922
PH: (321) 639-4842**

MODEL: MC28 SA / MC 9





TECHNICAL SPECIFICATIONS

MODELS	MC28 SA
Caliber	9mm x 19 Parabellum
Operating System	Short recoil striker
Firing System	Semi Automatic
Length	193.8 mm
Height	144.8 mm
Width	30 mm
Weight (without magazine)	700 gr
Magazine Capacity	15 rounds
Empty Magazine Weight	94 ±5 gr
Barrel Length	108 mm
Rifling	Right handed, 6 groove
Sighting Systems	Dovetailed sight, dovetailed notched rear sight
Line of Sight	151.8 mm
Safety Features	Striker block, chamber loaded indicator, cocking indicator, trigger safety
Trigger Action	Single action

MODELS	MC 9
Caliber	9mm x 19 Parabellum
Operating System	Short recoil striker
Firing System	Semi Automatic
Length	191 mm
Height	135 mm
Width	33 mm
Weight (without magazine)	700 gr
Magazine Capacity	15-17 rounds
Empty Magazine Weight	94 ±5 gr
Barrel Length	108 mm
Rifling	Right handed, 6 groove
Sighting Systems	Dovetailed sight, dovetailed notched rear sight
Line of Sight	151.8 mm
Safety Features	Striker block, chamber loaded indicator, cocking indicator, trigger safety
Trigger Action	Single action

OPERATING SYSTEM

The MC28 SA pistol is designed as a striker fire pistol. The firing pin is caught by the sear when the slide goes back and forward. When the trigger is pulled, the firing pin releases from the sear and strikes the cartridge primer. After the cartridge ignites the bullet is expelled from the pistol and the slide moves backward and picks up the next cartridge in the magazine, this cycle continues until the last cartridge is fired. When the last cartridge is fired, the slide stays in the rearward position as the slide stop engages. To continue shooting, place a new magazine into the gun.

USAGE OF THE PISTOL

CONTROL BEFORE SHOOTING

- Make sure that the pistol is pointed in a safe position and your finger is not on the trigger or trigger safety.
- Make sure that the chamber is free of dust or any obstruction (**See Picture 1**).
- Point the gun in a safe direction before pulling the trigger and trigger safety (**See Picture 2**). You must fully depress the trigger safety and trigger for the pistol to fire. Remember this pistol has two mechanical safeties (Trigger safety and firing pin block). Once you move the trigger and trigger safety completely to the rear of the pistol, this pistol will fire if a round is in the chamber and the action is cocked. There is no magazine disconnect safety on this pistol, so the pistol can fire when the magazine is out of the pistol.
- The chamber loaded indicator indicates when the chamber is loaded.



MANUAL THUMB SAFETY

Your MC 9 MATCH pistol is equipped with an ambidextrous manual thumb safety. Review PICTURE A-B determine if your pistol has this feature. If it does, please follow these instructions:

⚠ WARNING: NEVER RELY ON MECHANICAL FEATURES ALONE ONLY YOUR SAFE GUN HANDLING WILL ENSURE THE SAFE USE OF YOUR FIREARM. THIS IS YOUR RESPONSIBILITY.

⚠ WARNING: IT IS YOUR RESPONSIBILITY TO CONTINUOUSLY EXAMINE YOUR PERSONAL SITUATION TO PROVIDE A SUFFICIENT LEVEL OF SAFETY.

- This feature prevents the trigger from moving rearward when the thumb safety lever is in the 'SAFE' position.
- Push the thumb safety lever fully upward to put it in 'SAFE' position. (PICTURE A)
- Lower the thumb safety lever fully to put it in 'FIRE' position allowing the pistol to be fired when the trigger is pulled. (PICTURE B)
- The slide can still be opened and closed regardless of the position of the safety lever.
- The magazine can be removed and installed in the pistol regardless of the position of the Safety lever.
- The pistol can be loaded and unloaded regardless of the position of the safety lever.



⚠ WARNING: Always keep your finger away from the trigger until you are ready to shoot.

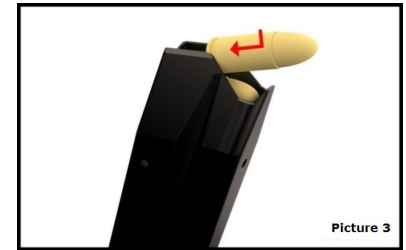
⚠ WARNING (LEAD EXPOSURE): Discharging firearms in poorly ventilated areas, cleaning firearms, or handling ammunition may result in exposure to lead and other substances that may cause birth defects, reproductive harm, and other serious physical injury. Have adequate ventilation at all times. Wash your hands thoroughly after exposure. Shooting or cleaning guns may expose you to lead.

PREPERATION FOR SHOOTING

- Always point the pistol in a safe direction.
- Make sure your fingers are away from the trigger and the trigger safety is fully forward.
- If there is any oil in the barrel clean it with a soft cleaning tool.
- Check to see if the pistol is ready and working properly.
- Check if the magazine is fitted correctly.

LOADING THE MAGAZINE

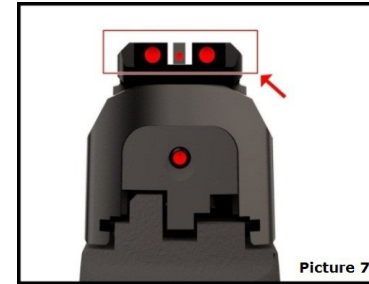
- Hold the magazine in an upright position and put the cartridges to the magazine.
- Push the cartridge downwards and backward to the end of the magazine.
- Continue to put the cartridges into the magazine until it is fully loaded (**See Picture 3**).



⚠ WARNING: Always keep the muzzle pointed in a safe direction! Never attempt to load or unload any firearm inside a vehicle, building or other confined space (except a properly constructed shooting range). Enclosed areas frequently offer no completely safe direction in which to point the firearm. If an accidental discharge occurs, there is great risk of death, personal injury or property damage. Before loading, always clean all grease and oil from the bore and chamber, and check to be certain that no obstruction is in the barrel. Any foreign matter in the barrel could result in a bulged or burst barrel or other damage to the firearm and could cause serious injury to the shooter or to others.

TARGET LINE

The target line is created by arranging all three points on the same line (See Picture 7).



TYPE OF AMMUNITION TO BE USED

It is suggested that high quality commercially manufactured ammunition be used in this firearm. Some factory ammunition works better than others and you should stick with the brand you find works well in your firearm. Avoid military surplus or hot loaded ammo. The use of reloaded, high pressure or hand loaded ammunition will void the warranty.

⚠ DANGER - AMMUNITION WARNING: Firearms may be damaged and serious injury or death to the shooter or bystander may result from any condition which contributes to the generation of excessive pressure or uncontrolled release of gas within the firearm. Such adverse conditions can be caused by bore or chamber obstruction, propellant powder overloads or by defective, incorrect or improperly loaded and assembled cartridge components. Even the strongest firearm can be blown up as a result of excessive pressure. It is extremely dangerous to use a cartridge whose pressure is greater than that developed by cartridges loaded to industry standards.

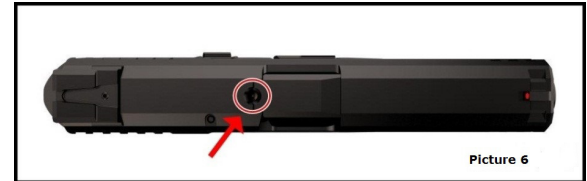
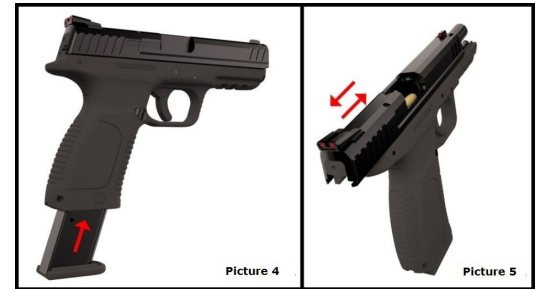
AMMUNITION (CARTRIDGES) NOTICE

We specifically disclaim responsibility for any damage, injury or death occurring in connection with or as the result of the use of European American Armory Corp firearm of faulty, non-standard, remanufactured, hand loaded or reloaded ammunition, used cartridges or cartridges other than factory cartridges for which the firearm was originally chambered.

⚠ WARNING: When shooting, full eye and ear protection is mandatory at all times. Shooters and spectators must wear shooting glasses and hearing protection to prevent eye injury and hearing loss. Vision and hearing impairment can occur with only one moment of non-protection.

LOADING THE PISTOL

- Make sure that the pistol is pointed in a safe position and your finger is not on the trigger or trigger safety.
- Put the loaded magazine into the pistol correctly by engaging the magazine release (**See Picture 4**).
- Pull the slide back to the end and release it carefully (**See Picture 5**). **Note:** Do not follow the slide with your hand forward. Pull the slide fully rearward and release the slide and the recoil spring will move the slide forward.
- Now that the pistol is loaded and ready to fire, the chamber loaded indicator should show that pistol is loaded (**See Picture 6**).



⚠ WARNING: BEFORE LOADING or firing a pistol, examine the bore and the firing chamber to be certain they are clean and free of any obstruction. Even a heavy coat of oil, grease, snow or water may result in damage to the firearm and injury to the shooter and/or persons near the firearm. A misfire or unusual sound upon firing is a signal to cease firing and to examine the chamber and bore. If there is any obstruction, clear the obstruction and clean the bore and chamber before firing. Any bore obstruction, even if it is only partly blocked, may cause the gun to blow up if it is fired, or may cause damage to the gun such as a bulged barrel. To avoid injury or death to the shooter or bystanders, check the barrels before shooting or if a shot does not sound normal.

⚠ WARNING: Always keep your finger away from the trigger until you are ready to shoot.

NOTE: The GİRSAN MC28 SA pistol has a striker block safety, this system does not allow the firing pin to engage the cartridge without pulling the trigger and trigger safety completely to the rear of the pistol.

SHOOTING

- Make sure that the pistol is pointed in a safe direction and your finger is not on the trigger or trigger safety, until you are ready to fire (**See Picture 2 on page 12**).
- Do not direct your pistol off of the target until you are finished shooting.
- Once the last round is fired, the slide will stay back held by the slide stop or slide catch (**See Picture 8**).
- Eject the magazine by pressing the magazine release button.
- To continue shooting, take the magazine out and load a new magazine.
- Push the slide stop down to release the slide to load the pistol (**See Picture 8**).



⚠ WARNING: STOP SHOOTING IMMEDIATELY AND UNLOAD YOUR FIREARM if your firearm develops: a mechanical malfunction; binding or stoppage; spitting powder/ gas; a cartridge primer is punctured; a cartridge case is bulged or ruptured; or the sound on firing does not sound quite right. Do NOT try one more shot but unload your firearm and take it and the ammunition to a qualified gunsmith or send the firearm back to EAA Corp for examination. Do not assume that the firearm is empty merely because you checked the chamber. You must also check the bore for any fired shot or wad jammed inside the barrel.

⚠ WARNING: If there is any reason to suspect that a projectile is obstructing the barrel, immediately unload the firearm (See Unloading Instructions) and check the chamber and the bore. A wad, shot or some other matter may be lodged some distance down the barrel where it cannot easily be seen. Check the bore by using a cleaning rod to pass through the barrel. If a blockage is in the bore, **DO NOT ATTEMPT TO SHOOT IT OUT WITH ANOTHER CARTRIDGE, OR BLOW IT OUT WITH A BLANK CARTRIDGE OR A CARTRIDGE FROM WHICH THE SHOT HAS BEEN REMOVED. SUCH TECHNIQUE(S) CAN GENERATE EXCESSIVE PRESSURE, DAMAGE THE FIREARM AND CAUSE SERIOUS INJURY.** If the blockage can be removed with a cleaning rod, clean any unburned powder grains from the bore, chambers and mechanism before resuming shooting. If the blockage cannot be dislodged by tapping it with a cleaning rod, take the firearm to a gunsmith.

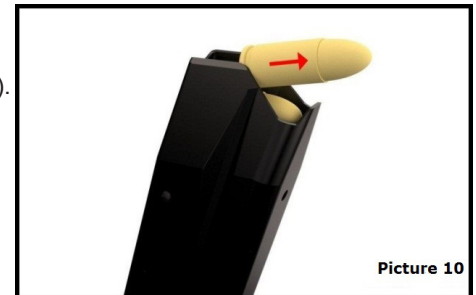
UNLOADING

- Make sure that the pistol is pointed in a safe position and your finger is not on the trigger or trigger safety.
- Press the magazine release button to take the magazine out (**See Picture 9-A**).
- Pull the slide back to remove any cartridge from the chamber, do not trust your memory always check to make sure the chamber is empty (**See Picture 9-B**).
- Make sure the chamber is free of any cartridge before releasing the slide back to the front.



UNLOADING THE MAGAZINE

- Push the cartridge forward until released from the magazine (**See Picture 10**).
- Continue extracting until all the cartridges from the magazine are out.



⚠ WARNING: Lead or lead compounds are known to the State of California to cause cancer, birth defects, reproductive toxicity, and other serious physical injury. Those who clean firearms should take protective measures to avoid contact or exposure to such chemicals.

MAINTENANCE AND CLEANING

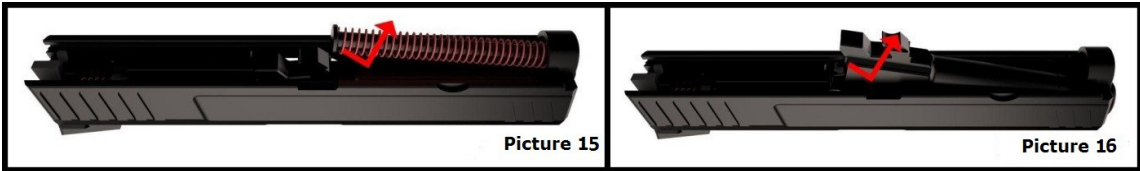
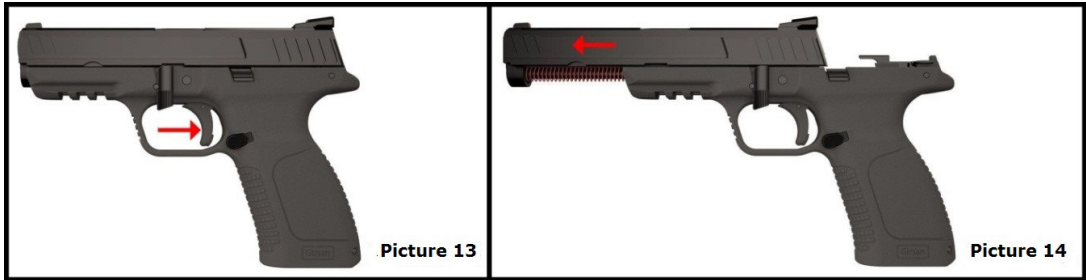
- Make sure that the pistol is pointed in a safe position, your finger is not on the trigger or trigger safety, and the pistol is unloaded before starting maintenance.
- If the pistol is loaded follow the “Unloading” instructions before continuing.
- The maintenance of this pistol must be done after every shooting.

DISASSEMBLY

Make sure that the pistol is pointed in a safe position and your finger is not on the trigger or trigger safety and the chamber of the pistol is empty.

- Eject the magazine by pressing the magazine release button (**See Picture 9-A on the previous page**).
- Pull the slide back and push the slide stop up (**See Picture 11-A**).
- Turn the take down lever clock wise (**See Picture 11-B on the next page**).
- Push the slide stop down carefully (**See Picture 12 on the next page**).
- Pull the slide forward with one hand and at the same time pull the trigger (**See Picture 13 and 14 on the next page**).
- Take the slide out by sliding it forward (**See Picture 14 on the next page**).
- Take the recoil spring out from the slide group (**See Picture 15 on the next page**).
- Take the barrel out from the slide (**See Picture 16 on the next page**).

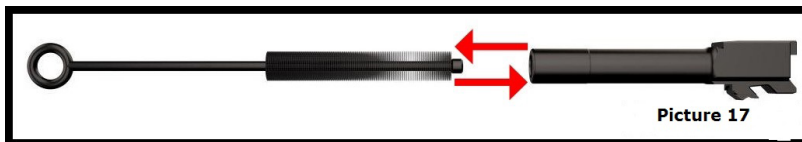




CLEANING THE PISTOL

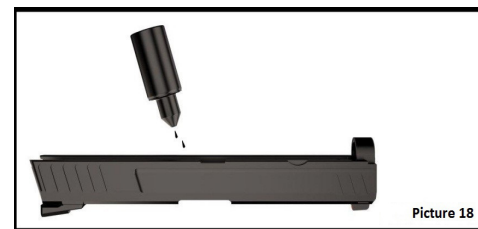
When cleaning and oiling the barrel:

- Spray a little bit of gun oil on the brush.
- Brush the inside of the barrel by pushing forward and backward (**See Picture 17**).
- Dry the inside of the barrel with a clean and dry tool. These tools are included with the pistol.



When cleaning the slide and oiling:

- Clean the slide with the oiled tools - Use the brush and other tools.
- Apply a small amount of oil to the slide (**See Picture 18**).



⚠ WARNING (LEAD EXPOSURE): Discharging firearms in poorly ventilated areas, cleaning firearms, or handling ammunition may result in exposure to lead and other substances that may cause birth defects, reproductive harm, and other serious physical injury. Have adequate ventilation at all times. Wash your hands thoroughly after exposure. Shooting or cleaning guns may expose you to lead.

⚠ LUBRICATION WARNING: Firing a pistol with oil, grease or any other material even partially obstructing the bore may result in damage to the pistol and injury to the shooter and those nearby. Do not spray or apply lubricants directly on ammunition. If the powder charge of a cartridge is affected by the lubricant, it may not be ignited, but the energy from the primer may be sufficient to push the bullet into the bore where it may become lodged. Firing a subsequent bullet into the obstructed bore will damage the pistol and may cause injury to the shooter and those nearby. Use lubricants properly. You are responsible for the proper care and maintenance of your firearm and ammunition.



WARNING: Take care to the firing pin while cleaning the pistol, and make sure that all the dusts has been cleaned. Never oil the firing pin hole.

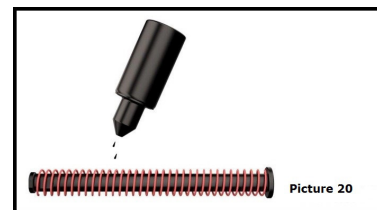
When cleaning the frame and oiling:

- Clean all the surfaces carefully.
- Apply oil to the rails, trigger bar – sear connection (**See Picture 19**).



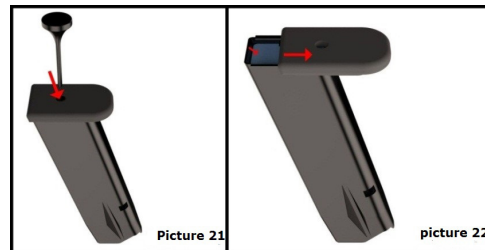
Oiling and cleaning the Recoil spring and recoil rod:

- Lightly oil the recoil spring and recoil rod (**See Picture 20**).



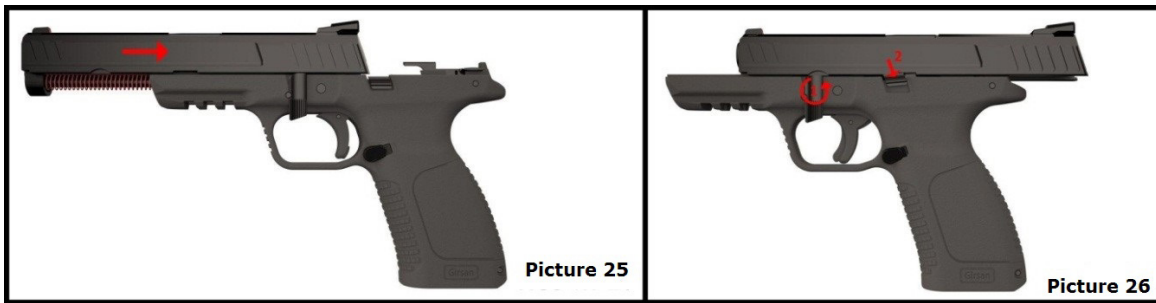
When cleaning and oiling the magazine:

- Make sure that the magazine is empty.
- Pull the magazine butt-plate down and take the magazine butt-plate out (**See Picture 21**).
- Clean all the dust off and other things from inside the magazine with the brush.
- Clean the entire inside and outside of the magazine.
- Then assemble the magazine by applying the reverse method of disassembly.



ASSEMBLY

- Place the barrel inside of the slide (**See Picture 23**).
- Place recoil spring and guide rod underneath the barrel and into the slide and barrel notch as pictured (**See Picture 24**).
- Put the slide group into the rails on the frame (**See Picture 25**).
- Pull the slide back to the end of the receiver and push the slide stop up until the slide is caught.
- Then rotate the take down lever counter clockwise (**See Picture 26**).

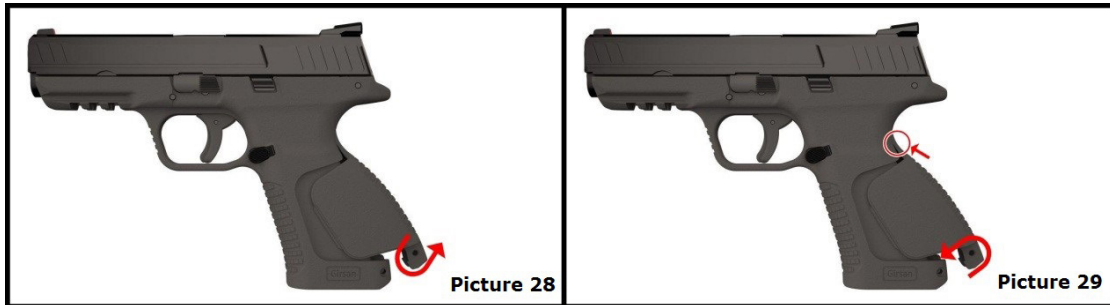


CHANGING THE BACK-STRAP

Make sure that the pistol is pointed in a safe direction and your finger is not on the trigger or trigger safety and the chamber of the pistol is empty.

Follow these steps to change the back-strap included with this pistol (small, medium, large).

- Take the grip pin out (See **Picture 27**).
- Take the back-strap out from the grip (See **Picture 28**).
- Place the other back-strap on the grip and insert the grip pin (See **Picture 29**).

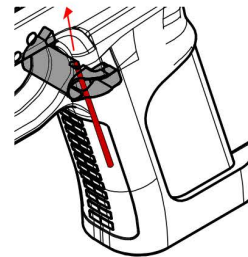
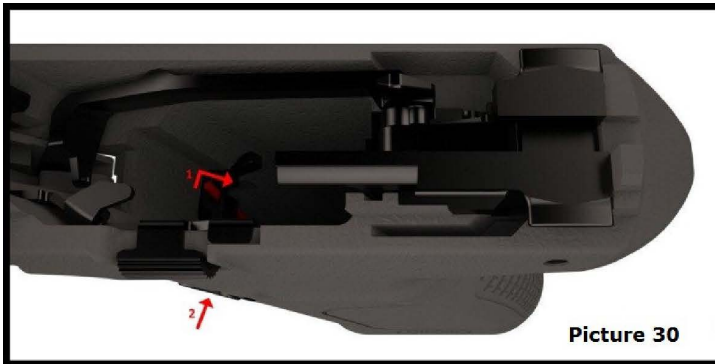


CHANGING THE MAGAZINE RELEASE (REVERSIBLE)

Make sure that the pistol is pointed in a safe direction and your finger is not on the trigger or trigger safety and the chamber of the pistol is empty.

Left handed shooters can change the magazine release to the other side by following these instructions below:

- Take the slide assembly off the frame (**See Disassembly**).
- Release the magazine release spring from the magazine release (**See Picture 30-1**).
- Pull the magazine release out from the frame (**See Picture 30-2**).
- Assemble the magazine release for left handed usage by following these instructions in reverse.

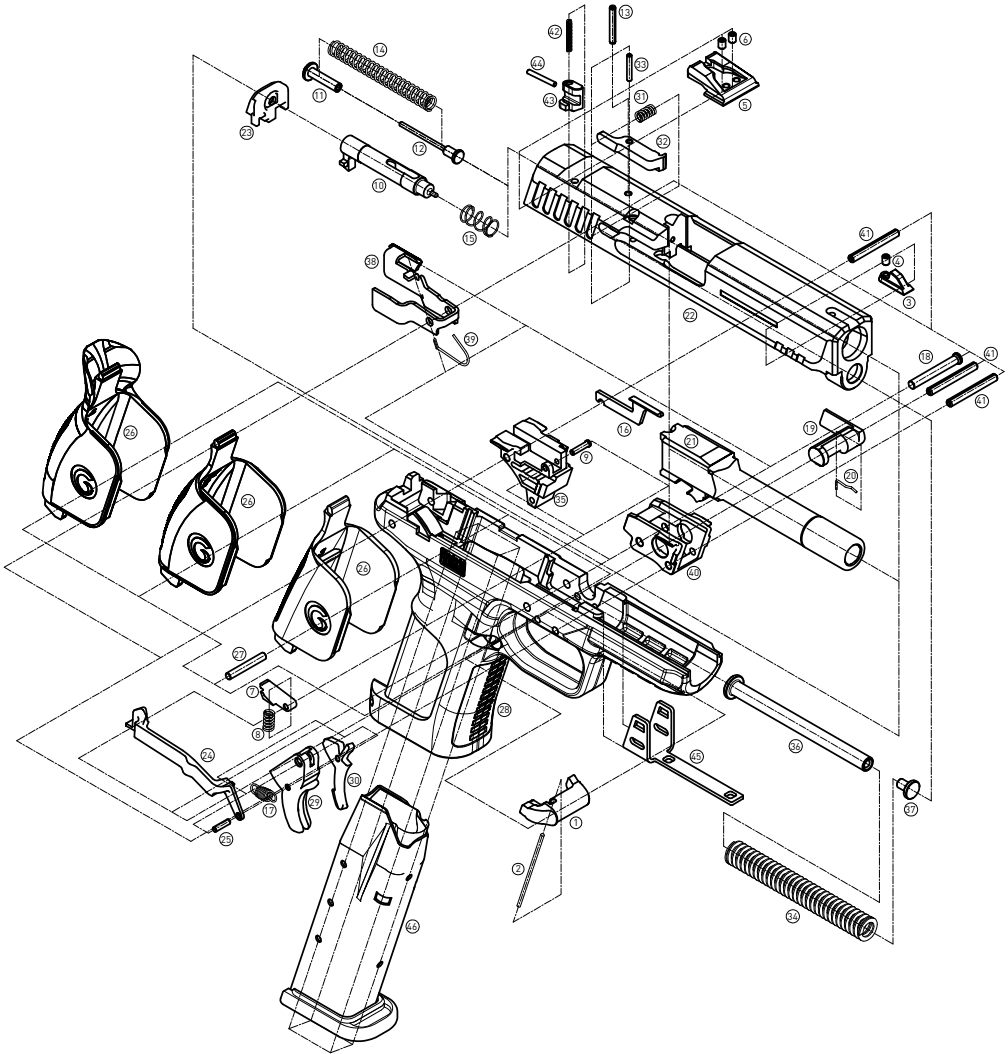


⚠ WARNING: Altering or modifying parts and/or internal safeties is dangerous and will void the warranty. This firearm was manufactured to perform properly with the original parts as designed. It is your duty to make sure any parts you buy are made for this firearm and are installed correctly and that neither the replacements nor originals are altered or changed. Your gun is a complex precision tool with many parts that must relate correctly to other parts in order for proper and safe operation. Putting a gun together wrong or with incorrect or modified parts can result in a damaged gun, danger, and personal injury or death to you and others through malfunction. Always have a qualified gunsmith work on your gun or at least check any work not performed by a gunsmith.

TROUBLE SHOOTING

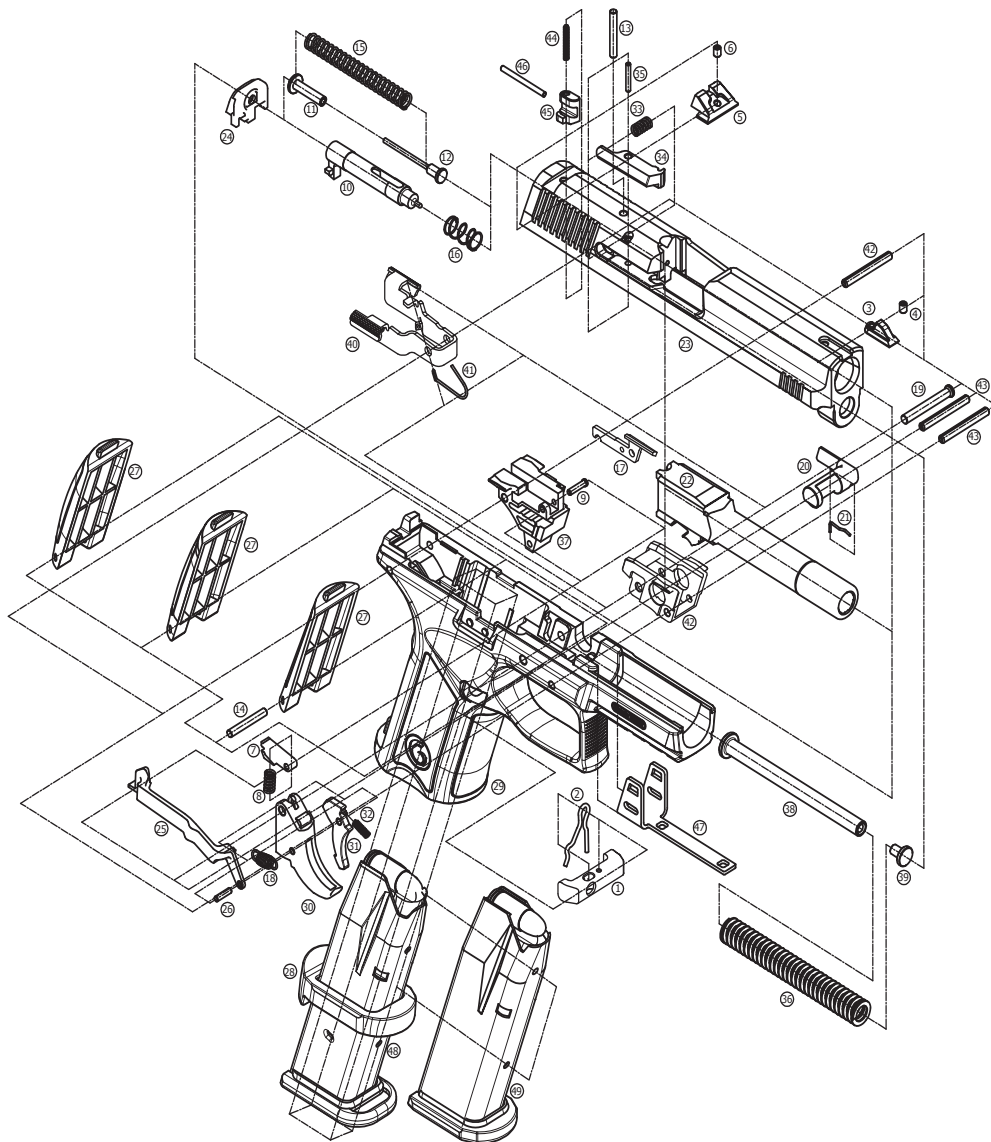
Problem	Possible Reason	Solution
Misfire	Damaged Cartridge	Use a NATO standard cartridge
	Problem with Firing Pin	Clean the firing pin assembly
		Send it to the authorized service
	The slide is not fitted correctly	Oil the slide
Send it to the authorized service		
Feeding Problem	Magazine is not fitted correctly	Push the magazine to the grip correctly
	Faulty Magazine	Change the magazine
	Dirty Magazine	Clean the magazine
Ejection Problem	Dirty Chamber	Clean the barrel and oil
	Ejector Problem	Send it to the authorized service
	Extractor Problem	Send it to the authorized service

[9x19 mm] MC28 SA EXPLODED DRAWING



- | | | |
|--|--|---|
| 1) Y028S000100 MAGAZINE RELEASE | 18) Y028S270100 TRIGGER PIN | 32) Y028S004700 EXTRACTOR |
| 2) Y028S010100 MAGAZINE RELEASE SPRING | 19) Y028S002800 TAKE DOWN LEVER | 33) Y028S470100 EXTRACTOR PIN |
| 3) Y028S001500 FRONT SIGHT | 20) Y028S280100 TAKE DOWN LEVER SPRING | 34) Y028S005000 RECOIL SPRING |
| 4) Y028S150100 FRONT SIGHT SCREW | 21) Y028S003100 BARREL | 35) Y028S005200 SEAR HOUSING BLOCK |
| 5) Y028S001600 REAR SIGHT | 22) Y028S003200 SLIDE | 36) Y028S005500 RECOIL SPRING GUIDE |
| 6) Y028S140100 REAR SIGHT SCREW | 23) Y028S320100 FIRING PIN STOP | 37) Y028S550100 RECOIL SPRING GUIDE CAP |
| 7) Y028S002000 SEAR | 24) Y028S003300 TRIGGER BAR | 38) Y028S005600 SLIDE STOP |
| 8) Y028S200100 SEAR SPRING | 25) Y028S330100 TRIGGER BAR PIN | 39) Y028S005700 SLIDE STOP SPRING |
| 9) Y028S200200 SEAR PIN | 26) Y028S035A00 BACK-STRAP (SMALL) | 40) Y028S006300 LOCKING BLOCK |
| 10) Y028S002100 FIRING PIN (STRIKER) | Y028S035B00 BACK-STRAP (MEDIUM) | 41) Y028S006500 PIN |
| 11) Y028S210100 FIRING PIN STRUT | Y028S035C00 BACK-STRAP (LARGE) | 42) Y0001660100 HELIX SPRING |
| 12) Y028S210200 FIRING PIN INDICATION | 27) Y028S350100 BACK-STRAP PIN | 43) Y028S006700 STRIKER BLOCK |
| 13) Y028S210300 FIRING PIN GUIDE PIN | 28) Y028S004000 FRAME | 44) Y028S670200 STRIKER SPRING HOLDER |
| 14) Y028S002200 FIRING PIN SPRING | 29) Y028S004200 TRIGGER | 45) Y028S007200 SERIAL NUMBER SHEET |
| 15) Y028S220100 FIRING PIN RECOIL SPRING | 30) Y028S420100 TRIGGER SAFETY | 46) Y028S050300 MAGAZINE |
| 16) Y028S002400 EJECTOR | 31) Y028S004500 EXTRACTOR SPRING | |
| 17) Y028S002700 TRIGGER SPRING | | |

(9x19 mm) MC 9 EXPLODED DRAWING



- | | | |
|--|--|---|
| 1) Y0009000100 MAGAZINE RELEASE | 19) Y0285270100 TRIGGER PIN | 34) Y0009004700 EXTRACTOR |
| 2) Y0009010100 MAGAZINE RELEASE SPRING | 20) Y0009002800 TAKE DOWN LEVER | 35) Y0285470100 EXTRACTOR PIN |
| 3) Y0018001500 FRONT SIGHT | 21) Y0285280100 TAKE DOWN LEVER SPRING | 36) Y0285005000 RECOIL SPRING |
| 4) Y0018150100 FRONT SIGHT SCREW | 22) Y0285003100 BARREL | 37) Y0285005200 REAR HOUSING BLOCK |
| 5) Y0009001600 REAR SIGHT | 23) Y0009003200 SLIDE | 38) Y0285005500 RECOIL SPRING GUIDE |
| 6) Y0285160100 REAR SIGHT SCREW | 24) Y0285320100 FIRING PIN STOP | 39) Y0285501000 RECOIL SPRING GUIDE CAP |
| 7) Y0285002000 SEAR | 25) Y0285003300 TRIGGER BAR | 40) Y0009005600 SLIDE STOP |
| 8) Y0285200100 SEAR SPRING | 26) Y0285330100 TRIGGER BAR PIN | 41) Y0285005700 SLIDE STOP SPRING |
| 9) Y0285200200 SEAR PIN | 27) Y0009003500 BECK-STREP (SMALL) | 42) Y0009006300 LOCKING BLOCK |
| 10) Y0009002100 FIRING PIN (STRIKER) | Y0009003800 BECK-STREP (MEDIUM) | 43) Y0285006500 PIN |
| 11) Y0009210100 FIRING PIN (STRIKER) | Y0009003500 BECK-STREP (LARGE) | 44) Y0001660100 HELIX SPRING |
| 12) Y0285210200 FIRING PIN INDICATOR | 28) Y0009380200 MAGAZINE EXTENSION | 45) Y0285006700 STRIKER BLOCK |
| 13) Y0009210300 FIRING PIN | 29) Y0009004000 FRAME | 46) Y0285670200 STRIKER SPRING HOLDER |
| 14) Y0285210300 FIRING PIN | 30) Y0009004200 TRIGGER | 47) Y0009007200 SERIAL NUMBER SHEET |
| 15) Y0285002200 FIRING PIN SPRING | 31) Y0009420100 TRIGGER SAFETY | 48) Y0285005300 MAGAZINE (17 CAPACITY) |
| 16) Y0285201000 FIRING PIN RECOIL SPRING | 32) Y0009420200 TRIGGER SAFETY SPRING | 49) Y0009005300 MAGAZINE (15 CAPACITY) |
| 17) Y0285002400 EJECTOR | 33) Y0285004500 EXTRACTOR SPRING | |
| 18) Y0285002700 TRIGGER SPRING | | |

MANUFACTURER'S WARNING

This firearm was manufactured to properly perform with the original parts as designed. It is your duty to make sure any parts you buy are correctly installed and that neither replacements nor originals are altered or changed. Your gun is a complex tool with many parts that must relate correctly to other parts for safe and accurate operation. Putting a gun together wrong or with modified parts can result in a damaged gun, or personal injury or death to you or others. Always let a qualified gunsmith work on your gun or at least, check any work not performed by a gunsmith. Firearms safety is your primary concern. **THE GUN OWNER MUST ACCEPT FULL RESPONSIBILITY FOR THE CORRECT REASSEMBLY AND FUNCTIONING OF THE FIREARM AFTER ANY DISASSEMBLY OR REPLACEMENT OF PARTS.**

LIMITED LIFETIME WARRANTY

This European American Armory Corp. firearm is warranted to the original retail customer for life from date of purchase against defects in material and workmanship. All parts and labor or replacement **at our option** are covered. Transportation to and from our repair facilities, government fees, damage caused by failure to perform normal maintenance, sales outside the United States, damage due to use of high velocity, high pressure, reloaded or other nonstandard ammunition, or any unauthorized repair, modification, misuse, abuse, or alteration of the product is **NOT** covered by the Limited Warranty.

Any implied warranties, including the implied warranties of merchantability and fitness for a particular purpose, are limited to one year from date of original retail purchase. Consequential or incidental damages and/or expenses, or any other expenses are not covered by this warranty.

Models supplied with optical dot sights: warranty for firearm does not cover optical dot sight. Warranty for optical dot sight is supplied by manufacturer of optical dot sight.

To obtain warranty performance send your firearm with proof of retail purchase, freight prepaid to:
European American Armory Corp 1426 King Street Cocoa, FL 32922

All other mail should go to: **EAA Corp, P.O. BOX 3008, Cocoa, FL 32924**

NOTE: It is illegal to ship a firearm with ammunition in the firearm or in the same packaging. Firearms and ammunition must be shipped separately. For information about shipping ammunition, call EAA Corp at (321) 639-4842.