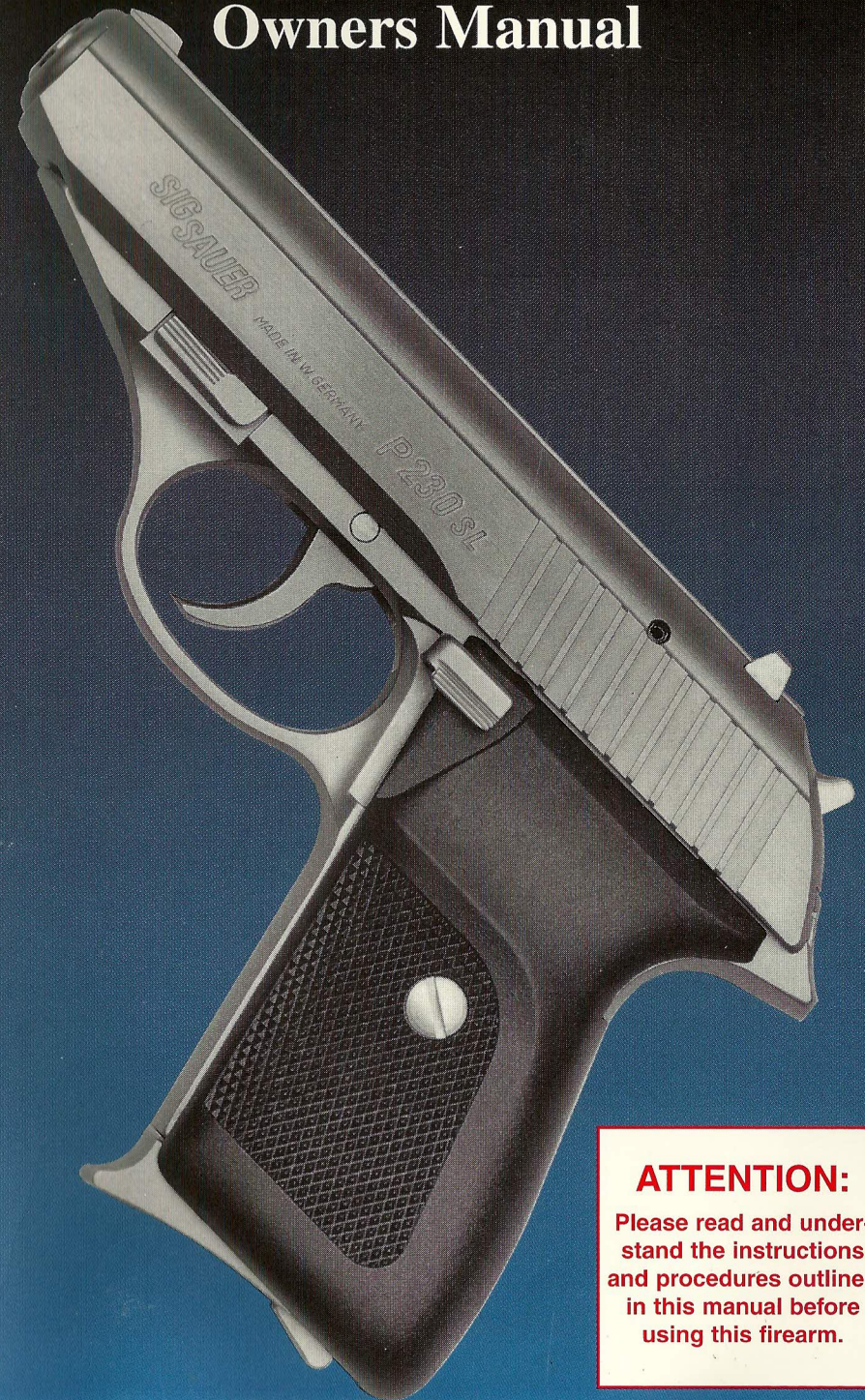


SIG SAUER 230 PISTOL

Owners Manual



IMPORTANT:

Do not discard. Keep this manual with your firearm.
Upon change of ownership, transfer this manual
with the firearm.

SIGARMS INC.
Corporate Park
Exeter, NH 03833, USA

ATTENTION:

Please read and understand the instructions and procedures outlined in this manual before using this firearm.

SIG SAUER®, SIG®, SIGLITE® and K-Kote® are registered trademarks of SIGARMS INC.
All specifications are subject to change without notice.

Contents

Page

Introduction	3
Safety Information	4
General Description	4
Principal Features	5
Ammunition	6
Firearms Handling	7
Troubleshooting	8
Troubleshooting Guide	9
Field Stripping	10 & 11
Assembly	12
Care of the Pistol	13
Transportation and Storage	14
Sight Adjustment & Options	15
Ordering Parts or Repairs - Instructions	16
Inspection & Maintenance	17
Safety & Safety Mechanism	18
Warranty Statement & Service Policy	19
Specifications	21
Parts Diagram	22
Parts List	23

Congratulations

You are now the owner of one of the world's finest and most superbly engineered firearms. The SIG SAUER P230 Semiautomatic Pistol has been designed and crafted to meet the stringent requirements of law enforcement agencies and personal protection. Used with the proper ammunition and given reasonable maintenance, it will serve you dependably and well for many years.

To make sure you get the best performance and reliability from your P230, **please read and follow the procedures outlined in this manual.** You'll notice that we place a heavy emphasis on safe firearms handling. Like any other mechanical devices, such as automobiles or power tools, high quality firearms are inherently safe unless they are handled in a careless or irresponsible manner. Always remember that you, the owner, are the ultimate firearms safety device.

This manual includes information you need to know in order to use your P230 safely and effectively. If you have any questions or comments about this pistol, its use and maintenance, or need more information about other SIGARMS products and accessories, please write SIGARMS INC.

Safety Information

Before you take your new SIG SAUER pistol out of the box, please read the following information. It is vital to your safety and the safety of others.

Firearms safety is your responsibility

PISTOLS are classified as FIREARMS and are sold by us with the specific understanding that we are not responsible in any manner whatsoever for their safe handling or resale under local laws and regulations. SIGARMS INC. shall not be responsible in any manner whatsoever for malfunctioning of the firearm, for physical injury or for property damage resulting in whole or in part from (1) criminal or negligent discharge, (2) improper or careless handling, (3) unauthorized modifications, (4) defective, improper, hand-loaded, or reloaded ammunition, (5) corrosion, (6) neglect, or (7) other influences beyond our direct and immediate control. This limitation applies regardless of whether liability is asserted on the basis of contract, negligence or strict liability (including any failure to warn). Under no circumstances shall SIGARMS INC. be liable for incidental or consequential damages, such as loss of use of property, commercial loss and loss of earnings or profits.

General Description

The SIG SAUER P230 Semiautomatic Pistol has been designed specifically to meet the stringent requirements of law enforcement agencies and personal protection. Manufactured by advanced state-of-the-art production processes, the SIG SAUER P230 is a non-locking, recoil operated pistol with fixed barrel, automatic firing pin safety lock, double-action/single-action trigger and decocking lever. Firing takes place with each pull of the trigger until the magazine is empty. The slide stays open after you've fired the last shot.

Principal Features

We've designed the automatic firing pin lock to provide additional safety with the hammer in either the cocked or decocked position. You can fire the pistol only by pulling the trigger. The double-action feature and the absence of manual safeties make it easier for you to get off a quick first shot. A decocking lever allows you to lower the cocked hammer safely into the safety intercept notch without your touching the trigger. While you're doing this, the firing pin remains automatically locked. High-contrast sights help you line up on the target rapidly, even under poor light conditions. Ergonomically designed grip plates, ideal grip angle and comfortable grip dimensions facilitate rapid and accurate shooting. The closed design helps keep dirt, sand and other debris out of the action.

What you should know about the decocking lever

The decocking lever on the SIG SAUER P230 is designed for the express purpose of decocking the firearm. The reason it is there is because it is not safe practice to decock a pistol by pulling the trigger and attempting to ease the hammer forward manually. To decock your P230, push down the decocking lever (keep your finger OFF the trigger while you do this).

SIGARMS WARNING

Always use the **decocking lever** to decock your SIG SAUER pistol. This is the only way to safely lower the hammer from the cocked position and prevent an accidental discharge. This warning applies to all pistols with decocking levers.

The positive way to safely lower the hammer is by use of the decocking lever. Never lower the hammer by pulling the trigger and attempting to ease the hammer forward manually. Manually lowering the hammer is dangerous and prevents full application of the pistol's safety features.

The decocking lever is the only proper means of lowering the hammer and assuring that the hammer rests in the intercept notch.

Again, **DO NOT THUMB THE HAMMER DOWN:** the consequence can be serious injury or death - **only and ALWAYS use the decocking lever!**

Ammunition

Your SIG SAUER pistol will function effectively and safely with a wide variety of commercial and military-standard ammunition. Here are some suggestions that will help you keep your pistol free from ammunition-related problems:

1. Use only ammunition of the caliber for which your pistol is chambered. The right caliber is permanently engraved on your pistol; if you use another caliber ammo, it won't work.
2. Use only clean, dry, undamaged new factory-manufactured ammunition. Always use ammunition that complies with the performance standards established by the Sporting Arms and Ammunition Manufacturers' Institute, Inc. of the United States (SAAMI).
3. Keep your cartridges free of oil. Wipe the chamber clean of any oil or preservative before you shoot. Oil in the chamber creates dangerous stresses. Always apply any lubricant sparingly.

WARNING

Discharging firearms in poorly ventilated areas, cleaning firearms, or handling ammunition may result in exposure to lead and other substances known to cause birth defects, reproductive harm, and other serious physical injury. Have adequate ventilation at all times. Wash hands thoroughly after exposure.

Firearms Handling

You have the pistol and the ammo, and you've read and understood all the safety instructions. You know all about decocking the P230 by using the decocking lever. Now, you're ready to use the pistol.

Removing the magazine

1. While pushing the magazine catch (35)* to the rear with your thumb, pull the magazine out with your first finger.
2. Using thumb and first finger, remove the magazine from the grip frame.

Loading the magazine

1. Press down on the magazine follower with the cartridge case rim.
2. Push the cartridge to the rear and under the magazine lips.
3. Continue until the magazine holds the desired number of cartridges.

Loading the pistol

1. Insert a loaded magazine and make sure it has engaged the magazine catch.
2. Draw back the slide as far as it will go and allow it to snap forward into battery. This cocks the hammer and chambers a round.
3. Push down the decocking lever (24) with your thumb. The pistol is now loaded, safe and ready to fire in double-action mode. **Keep your finger off the trigger while you do this.**

Reloading during shooting

When the magazine is empty, the slide catch lever holds open the slide.

1. Push back the magazine catch to remove the empty magazine and insert a full one.
2. Draw back the slide and allow it to snap forward.
The pistol is again loaded and ready to fire in the single-action mode.

Unloading the pistol

1. Remove the magazine.
2. Pull back the slide and make sure that the last round has been extracted from the chamber and ejected.
3. Let the slide snap fully forward.
4. Press down the decocking lever. The pistol is now unloaded, decocked and safe.

*See Field Stripping pages 10-11

Troubleshooting

Firearms work reliably if properly maintained. If there is a malfunction during firing, here's what to do:

1. Keep the pistol pointed in a safe direction with your finger off the trigger.
2. Remove and secure the magazine.
3. Move the slide rearward and forward to clear any cartridge case in or near the chamber.
4. If you suspect that a bullet is lodged in the bore, field strip your pistol and check to see if the barrel is blocked. If there is a bullet lodged in the bore, return the pistol to SIGARMS INC. See instructions on page 14.

Follow the above procedures if:

- You notice that a cartridge is difficult to chamber, or
- A cartridge does not go off, or
- The mechanism fails to extract a fired cartridge case, or
- You discover unburned grains of propellant powder spilled in the mechanism, or
- A shot sounds or feels weak or abnormal.

IF A BULLET IS IN THE BORE, DO NOT ATTEMPT TO SHOOT IT OUT BY USING ANOTHER CARTRIDGE, OR BY BLOWING IT OUT WITH A BLANK OR A CARTRIDGE FROM WHICH THE BULLET HAS BEEN REMOVED. THIS CAN GENERATE EXCESSIVE PRESSURE, DAMAGE THE FIREARM AND CAUSE SERIOUS PERSONAL INJURY.

Troubleshooting Guide

Malfunction	Cause	Correction
Feed: No round fed into the chamber	Magazine not properly inserted or magazine is deformed or dirty	Insert magazine properly or change magazine
Slide does not close easily or completely	Pistol or cartridge are fouled (dirty) or pistol is too heavily lubricated	Clean and lubricate pistol and /or replace the ammunition
	Pistol requires service	Return to SIGARMS
Extraction/Ejection: After firing, the case stays in the chamber or is jammed in the ejection port	Insufficient recoil due to dirt	Clean and lubricate the pistol
	Light hold or limp wrist	Solid grip, rigid hold
	Low powered ammunition	Change ammunition
	Pistol requires service	Return to SIGARMS
Ignition: Hammer drops but round does not fire	Firing pin obstructed	Inspect, clean and lubricate the pistol
	Faulty ammunition	Manually cycle in next round
	Pistol requires service	Return to SIGARMS

Field Stripping

Before you take the pistol apart, make sure it's unloaded. This is essential for your safety and the safety of others.

Field strip the pistol as follows:

Figure A



- Press the magazine catch (35). Remove the magazine (43).
- Press the decocking lever (24). Pull back the slide and check to make sure the chamber is not loaded.

Figure B

- Turn the take-down lever (20) to a vertical position.



Figure C

- Pull back the slide (1) as far as it will go.
- Lift the slide up at the rear and let it slide forward gently.
- Remove the slide from the frame (38).



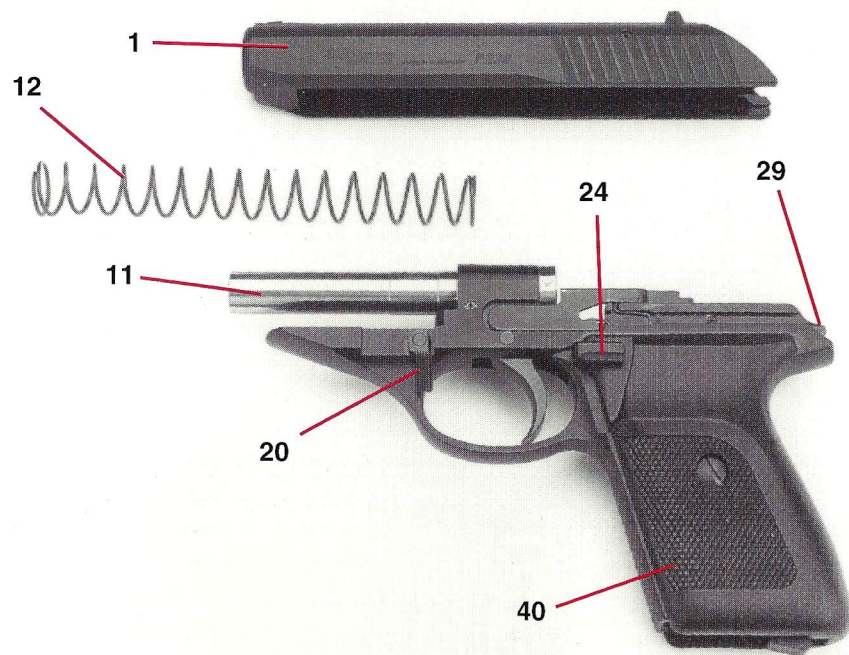
- Remove the recoil spring (12).
 - The field stripped pistol is shown in Figure D.
- Field stripping is quite sufficient to allow cleaning after shooting.

Further dismantling is a job for qualified gunsmiths and armorers only.

Assemble the pistol as follows:

- Slip the the recoil spring (12) over the barrel (11), narrower end first.
- Swing the take-down lever (20) downward to a vertical position.
- Make sure the hammer (29) is cocked.
- Guide slide (1) over the recoil spring, and while slightly raising the rear end of the slide, pull it over the barrel as far as it will go.
- Push the rear end of the slide down toward the grip (40), and allow the slide to move forward.
- Turn take-down lever clockwise and upward to a horizontal position.
- Decock the hammer with decocking lever (24).
- Insert the magazine.

Figure D



Caring for your Pistol

Follow these instructions and your SIG SAUER P230 will remain in excellent condition even after years of hard service.

NOTE: Your SIG SAUER P230 comes from the factory with a light coating of protective grease and oils. **Before you fire the pistol**, you should disassemble, clean and lubricate it as recommended on this page.

Barrel and chamber:

Clean the barrel and the chamber from the rear with a quality cleaning solvent, using a cleaning rod and brush of the correct caliber. Never clean the barrel from the muzzle end and do not use steel brushes; they may damage the smooth barrel surface. Wipe the interior and exterior of the barrel free of all residue. **Lightly** lubricate the barrel, inside and out, with a quality lubricant designed for firearms.

Breech face and locking insert:

Use a small nylon bristle brush to thoroughly clean these areas.

External metal surfaces:

After each use, wipe all metal surfaces with a cloth lightly soaked with a lubricant preservative. This will remove any foreign material and preserve the finish of the pistol. Lightly lubricate the recoil spring (12) and frame rails before reassembling the pistol.

NOTE: Some cleaning solvents may be harmful to the finish of your pistol. Read the solvent manufacturer's product use instructions and warning labels before using.

Transport and Storage

When transporting your pistol, keep it unloaded for your safety and for the safety of others. Know and comply with all laws governing the transport of firearms in your locality. When storing your pistol, keep it separated from ammunition, under lock and key and out of the reach of children and other inexperienced or unauthorized persons.

Returning your Firearm

When you return a firearm to the SIGARMS INC. Service Department, here's what to do:

1. Make sure that the chamber and magazine(s) are unloaded and that no ammunition is included.
2. Package the firearm securely to prevent damage. Enclose a letter which includes your name, street address, daytime phone number, pistol model and serial number, and a detailed description of the problem you have experienced or the work you want performed. With the exception of extra magazines, do not include cases, scopes, mounts or other accessories. If repairs are to be done under warranty, enclose copy of sales receipt.
3. Generally, an individual may ship firearms to the manufacturer for repair or service. Some states and localities, however, prohibit this. If you live in such an area, the firearms must be shipped by and returned to a Federally Licensed Firearms Dealer.
4. Individuals must ship handguns via UPS. Federal law prohibits persons who do not possess a Federal Firearms License from shipping a handgun via the U.S. Postal Service. (Note: Any shipment of firearms outside of the USA borders is subject to the valid law of the specific country, which you must strictly follow.)
5. **Ship your firearms insured and prepaid (we don't accept collect shipments) to:**

SIGARMS INC.
Attention: Service Department
Corporate Park
Exeter, NH 03833, USA

Sights

The SIG SAUER P230 is equipped with military-type fixed sights which have proven their worth under severe conditions. The sights consist of a rear sight and a front sight blade, designed and dimensioned to ensure rapid target acquisition even when visibility is poor. You can adjust the sights as follows:

Windage: Change windage by moving the rear sight either to the left or right in its dovetail. When you do this, follow the rear sight rule: Move the rear sight in the direction you want the group to go.

Elevation: There are different height combinations available for the rear sight. You can change elevation by changing the rear sight. Each rear sight change will move the impact of the bullet approximately 2.5" at 25 yards. Remember, a higher rear sight will **raise** the impact of the bullet; a lower rear sight will **lower** the impact of the bullet.

Rear Sight Options:

+ • / + / N / - / - •

Parts

Before you order any parts, please be advised that: while most gunsmiths and armorers are perfectly capable of repairing your firearm, we can't vouch for any individual's skill or workmanship. Remember, unauthorized adjustments or parts replacement can void your service policy. Your SIG SAUER P230 is a precision instrument and some replacement parts may require trained gunsmith or armorer to ensure proper operation. Don't take chances; if your firearm ever needs service, simply return it to SIGARMS INC. Remember, always specify model and serial number of your pistol when ordering parts.

If you order a part without returning the pistol to SIGARMS INC., you're responsible for ensuring that the part supplied is correct for your particular pistol and that it is properly installed and fitted by a qualified gunsmith or armorer.

**SIGARMS INC. CANNOT BE RESPONSIBLE FOR THE
FUNCTIONING OF
ANY FIREARM WHICH HAS BEEN ALTERED.**

Inspection and Maintenance

Even the best of firearms, like fine automobiles, require periodic maintenance and inspection. This may reveal a need for adjustment or repair. Even if your pistol seems to be working well, don't take chances...have it checked annually by a competent gunsmith or armorer.

If you notice any mechanical malfunction, STOP using the firearm. UNLOAD it and take it to a competent gunsmith or armorer immediately for a thorough examination. Similarly, if water, sand, or other debris enters the mechanism, field strip the pistol immediately and thoroughly clean it. Failure to keep your pistol clean and in proper working order could lead to serious bodily injury or property damage.

The Ten Commandments of Firearms Safety

1. ALWAYS treat every gun as if it were loaded.
2. ALWAYS keep the gun pointed in a safe direction.
3. ALWAYS keep your finger off the trigger until ready to shoot.
4. ALWAYS keep the gun unloaded until ready to use.
5. ALWAYS be sure the gun is safe to operate and the barrel is clear of any obstruction.
6. ALWAYS use the proper, factory-made ammunition for your particular gun.
7. ALWAYS know your target and what is beyond it.
8. ALWAYS wear ear and eye protection when shooting.
9. NEVER use alcohol or drugs before or during handling a gun.
10. ALWAYS store guns and ammunition in separate locked containers, so they are secure and not accessible to unauthorized persons.

What you should know about all safety mechanisms

Rule #1 (there is only one rule): NEVER completely trust any safety mechanism. Your pistol is equipped with an effective, well designed safety device. NO SAFETY MECHANISM, HOWEVER, IS A SUBSTITUTE FOR PROPER GUN HANDLING. Any safety mechanism can break down or malfunction. YOU, AND YOU ALONE, ARE THE ULTIMATE SAFETY MECHANISM.

Remember, there is no such thing as a "childproof" safety or one which can completely prevent accidental discharge from careless or irresponsible use. The best safety is proper and applied training in safe gun handling.

Warranty Statement

Based on Magnuson-Moss Warranty Act, SIGARMS INC. offers no express warranty on their product line. However, SIGARMS INC. recognizes its obligations concerning service to owners of SIGARMS products. SIGARMS INC. stands behind its products and will continue to provide service to their product line as they have over the years. SIGARMS INC. products will be serviced for a period of one year from date of retail purchase, for defects in materials or workmanship, at no charge to the purchaser. Be sure to retain your sales slip as proof of purchase date when making a claim.

This instruction manual should always accompany this pistol and be transferred with it upon change of ownership.

Service policy

If you have questions concerning the performance or servicing of your pistol, please write directly to:

SIGARMS INC.

Attention: Service Department

Corporate Park

Exeter, NH 03833, USA

SIGARMS WARNING

Always use the **decocking lever** to decock your SIG SAUER pistol. This is the only way to safely lower the hammer from the cocked position and prevent an accidental discharge.

This warning applies to all pistols with decocking levers. The positive way to safely lower the hammer is by use of the decocking lever.

Never lower the hammer by pulling the trigger and attempting to ease the hammer forward manually. Manually lowering the hammer is dangerous and prevents full application of the pistol's safety features.

The decocking lever is the only proper means of lowering the hammer and assuring that the hammer rests in the intercept notch.

Again, **DO NOT THUMB THE HAMMER DOWN**: the consequence can be serious injury or death - **only and ALWAYS use the decocking lever!**

Specifications - SIG SAUER P230

Straight Blowback, Fixed Barrel Semiautomatic Pistol

Trigger: Double-Action/Single-Action

Safety System: Patented automatic firing-pin lock

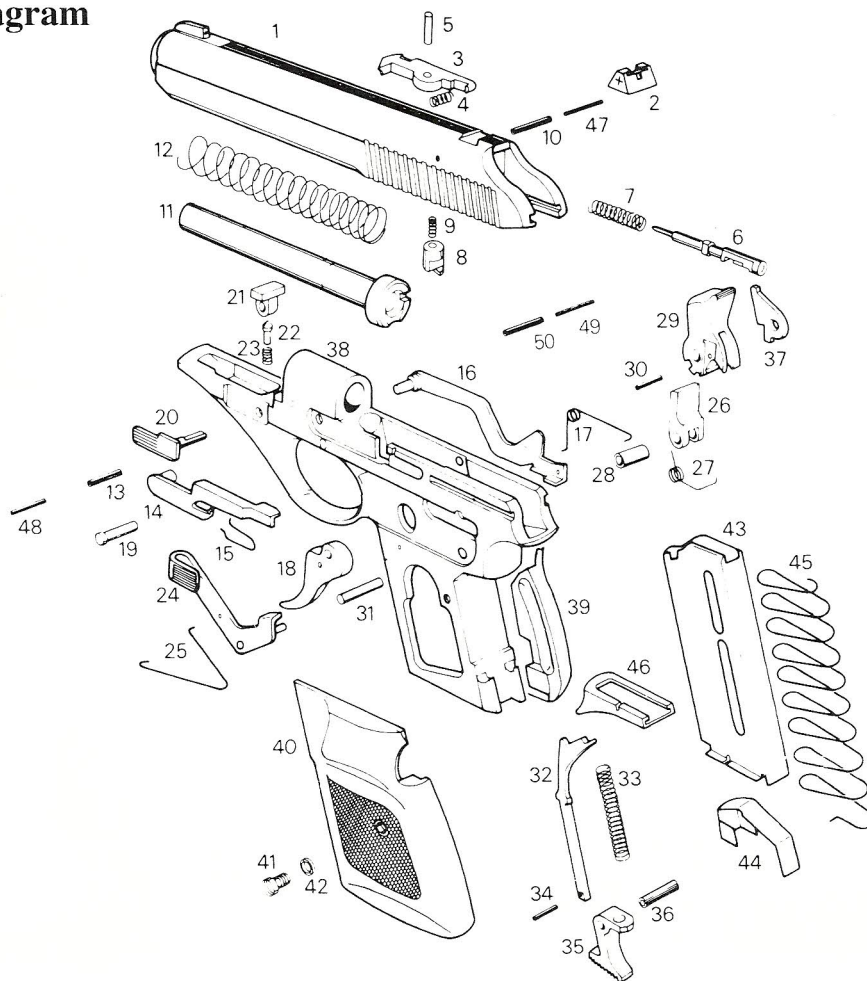
Caliber	.380 ACP (9mm Short)
Length, overall	6.6"
Height, overall	4.7"
Width, overall	1.2"
Barrel length	3.6"
Rifling twist	1 in 10"
Rifling grooves	6
Sight radius	4.7"
Weight, w/o magazine	16.2 oz. (20.8 oz. in stainless)
Weight, empty magazine	1.4 oz. (1.6 oz. in stainless)
Trigger pull weight	DA 9.9 lbs., SA 3.75 lbs.
Muzzle energy (depending on ammunition)	190 ft/lbs.
Magazine capacity	7 rounds

All weights and dimensions are approximate

Optional Accessories: wood grips, extra magazines, cleaning kit, carrying case.

P230 available in blue or stainless steel

230 Parts Diagram



Parts List

When ordering spare parts, always specify: Serial number of pistol and blue or stainless

- | | | |
|------------------------|----------------------------|--------------------------------|
| 1. Slide | 18. Trigger | 35. Magazine catch |
| 2. Rear sight | 19. Trigger pivot pin | 36. Magazine catch pin |
| 3. Extractor | 20. Take-down lever | 37. Safety lever |
| 4. Extractor spring | 21. Slide stop | 38. Frame |
| 5. Extractor pin | 22. Slide stop pin | 39. Right grip plate |
| 6. Firing pin | 23. Slide stop spring | 40. Left grip plate |
| 7. Firing pin spring | 24. Decocking lever | 41. Grip plate screw |
| 8. Safety lock | 25. Decocking lever spring | 42. Grip plate washer |
| 9. Safety lock spring | 26. Sear | 43. Magazine tube |
| 10. Outer pin H.D. | 27. Sear spring | 44. Follower |
| 11. Barrel | 28. Sear shaft | 45. Magazine spring |
| 12. Recoil spring | 29. Hammer | 46. Magazine floorplate |
| 13. Outer pin H.D. | 30. Hammer strut pin | 47. Inner pin H.D. |
| 14. Slide catch lever | 31. Hammer pivot pin | 48. Inner pin H.D. |
| 15. Slide catch spring | 32. Hammer strut | 49. Inner hammer stop pin H.D. |
| 16. Trigger bar | 33. Mainspring | 50. Outer hammer stop pin H.D. |
| 17. Trigger bar spring | 34. Mainspring pin | |