



HATSAN
ARMS COMPANY

Serious. Solid. Impact.

ESCORT
Semi Automatic Shotgun



BTS12



BTS410

ESCORT BTS12 BTS410

Instruction Manual

Read this manual before using your shotgun.

CONTENTS	Page
SAFETY MEASURES_____	3
LET'S GET TO KNOW OUR SHOTGUN _____	4-5
NOMENCLATURE_____	6
PARTS' LIST BTS410_____	7
EXPLODED VIEW BTS 410_____	8-9
EXPLODED VIEW BTS 12_____	10-11
PARTS' LIST BTS12_____	12
TECHNICAL FEATURES AND DATA _____	13
EXTERNAL CONTROL PARTS _____	13
THREE THINGS TO REMEMBER ABOUT SAFETIES _____	13
FIRST USE OF THE SHOTGUN _____	14
LOADING THE SHOTGUN_____	14
USING MAGAZINE PLUG _____	15
FIRING THE SHOTGUN _____	15
UNLOADING THE SHOTGUN _____	16
DISASSEMBLY_____	17
CARE, CLEANING AND LUBRICATION _____	18
ILLUSTRATIONS _____	19
NOTES _____	22

Thank you for choosing **Hatsan Escort Magnum BTS12 / BTS410** semi-automatic shotgun with vertical box magazine. For more information on technical changes, developments and use of accessories packed with your shotgun, please visit our web page www.hatsan.com.tr

WARNING!

Read the entire manual very carefully before handling this shotgun. Incorrect handling may result in serious injury or death. Always keep this manual with your shotgun. Make sure you understand all the operational instructions, safety procedures and warnings in this manual before you handle the shotgun. If you sell, lend or give your shotgun to someone, make sure this manual goes with it.

Always keep this manual with your shotgun. Make sure you understand all the operation instructions, safety procedures and warnings in this manual before you handle the shotgun.

If you sell, lend or give the shotgun to another, make sure this manual goes with it.

WARNING!

Always keep your fingers outside the trigger guard and make sure the safety is fully engaged until you are ready to fire. To fully engage the safety, rotate the safety lever counter clockwise until it stops & locks; and safety lever shows the letter "S" (which stands for SAFE).

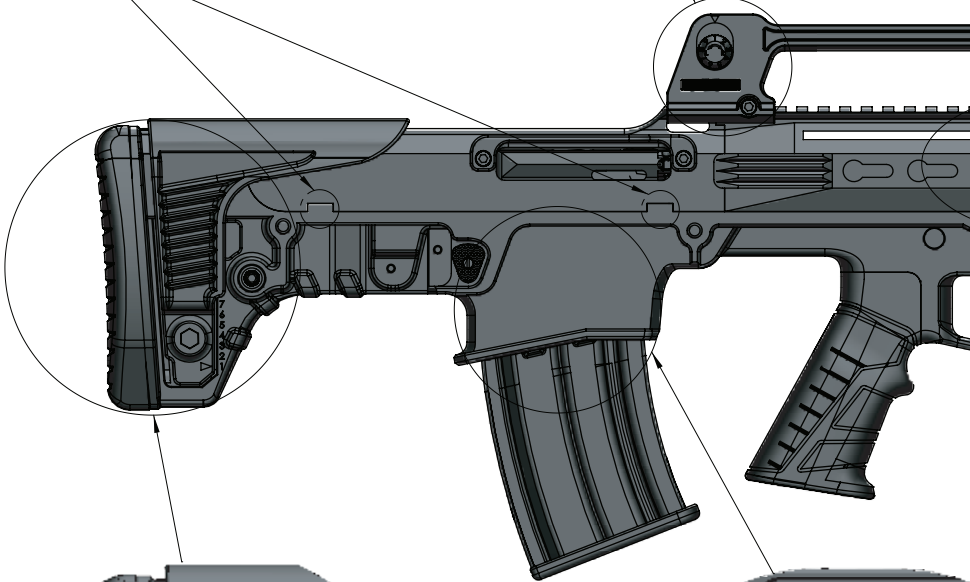
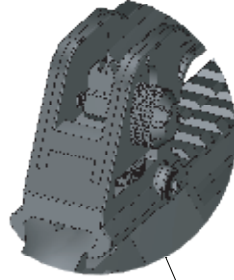
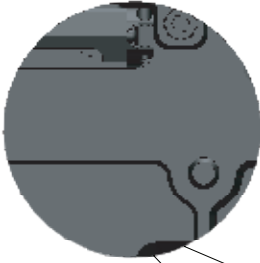
SAFETY MEASURES

- Always point the muzzle of your shotgun in a safe direction, regardless of whether the firearm is loaded or unloaded. Never point your shotgun at anything you don't intend to shoot. Avoid all horseplay while handling a shotgun.
- Keep your fingers away from the trigger when operating any other part of the shotgun's mechanism.
- Keep the safety "ON" until you are actually ready to fire. Treat every shotgun with respect and caution.
- Keep your fingers away from the muzzle. Never pull a shotgun towards you by the muzzle.
- Make sure the barrel is clear of obstructions, dust and moisture.
- Always keep your shotgun unloaded when not in use and never load your shotgun if you will not shoot.
- Always aim at a safe target, taking care that it does not conceal any other object. Be sure of your target and what lies beyond before you pull the trigger. Never shoot at sounds. To avoid ricochets, do not shoot at a flat or hard surface or at water.
- Store shotguns and ammunition separately, out of the reach of children, better if under lock and key. Shotguns should always be unloaded when stored
- Never have loaded firearms in your vehicle, home or camp, many people have been injured or killed in these situations due to this rule being broken.
- Do not climb fences, trees or jump in a ditch with loaded shotgun even if it's on Safe mode. Each year there are shooters who are shot, usually by their own firearm. Always unload your shotgun when climbing, running or jumping.
- Never rely on any one's words that the shotgun is "on safe" or unloaded. Always check visually the safety of a shotgun and make sure it's unloaded when getting your shotgun from storage or someone.
- Avoid alcoholic beverages or drugs before or during shooting.
- Always use eye & hearing protection and make sure bystanders are similarly protected.
- Even if the shotgun itself does not contain lead, it fires ammunition containing lead or lead containing compounds which are known to be dangerous for health. Always wash your hands after you contact your shotgun or ammunition. Proper air ventilation is absolutely necessary when shooting indoors.
- Any damage, malfunction, injury, or death resulting from the use of faulty, incorrect, non-standard, remanufactured, hand loaded or reloaded ammunition is the sole responsibility of the user.
- The user is solely responsible for the damage, injuries or death resulting from carelessness or misuse of the shotgun.

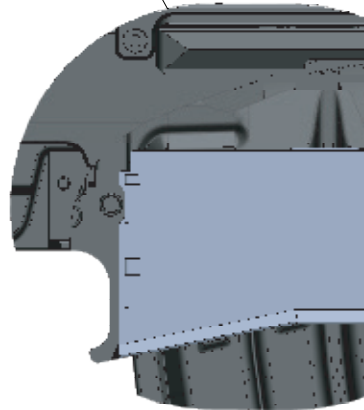
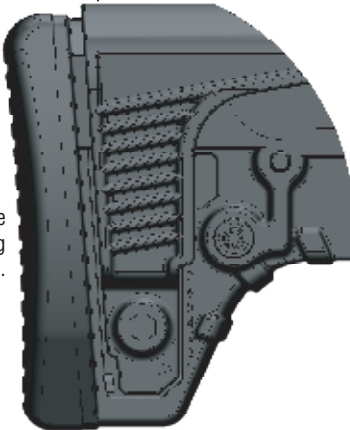
LET'S GET TO KNOW OUR SHOTGUN

2 centering slots provide perfect fit between receiver and stock.

Elevation and windage adjustable rear sight.

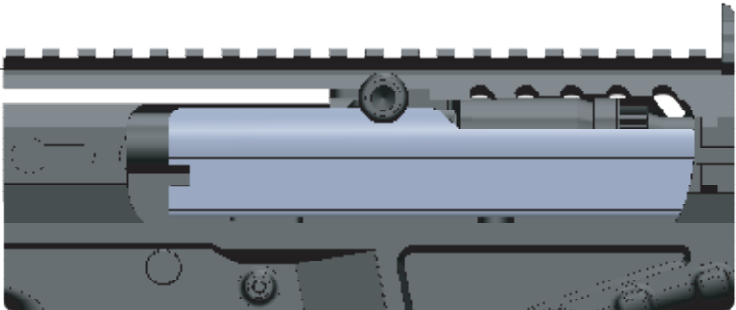
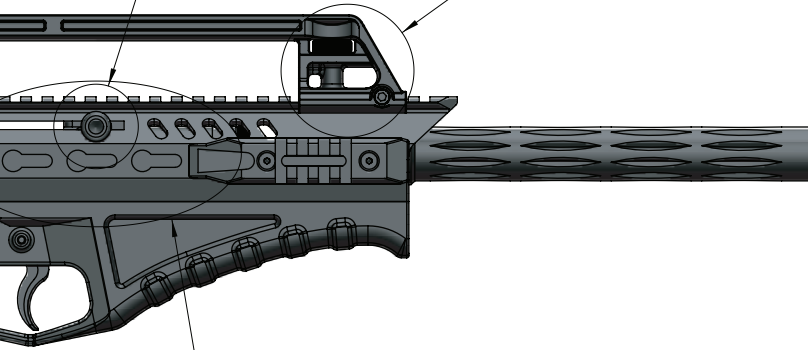
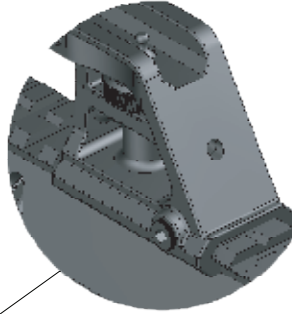
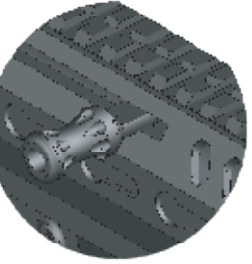


Lightweight, durable and shock absorbing polymer butt pad.



Reversible bolt cocking handle for ambidextrous operation.

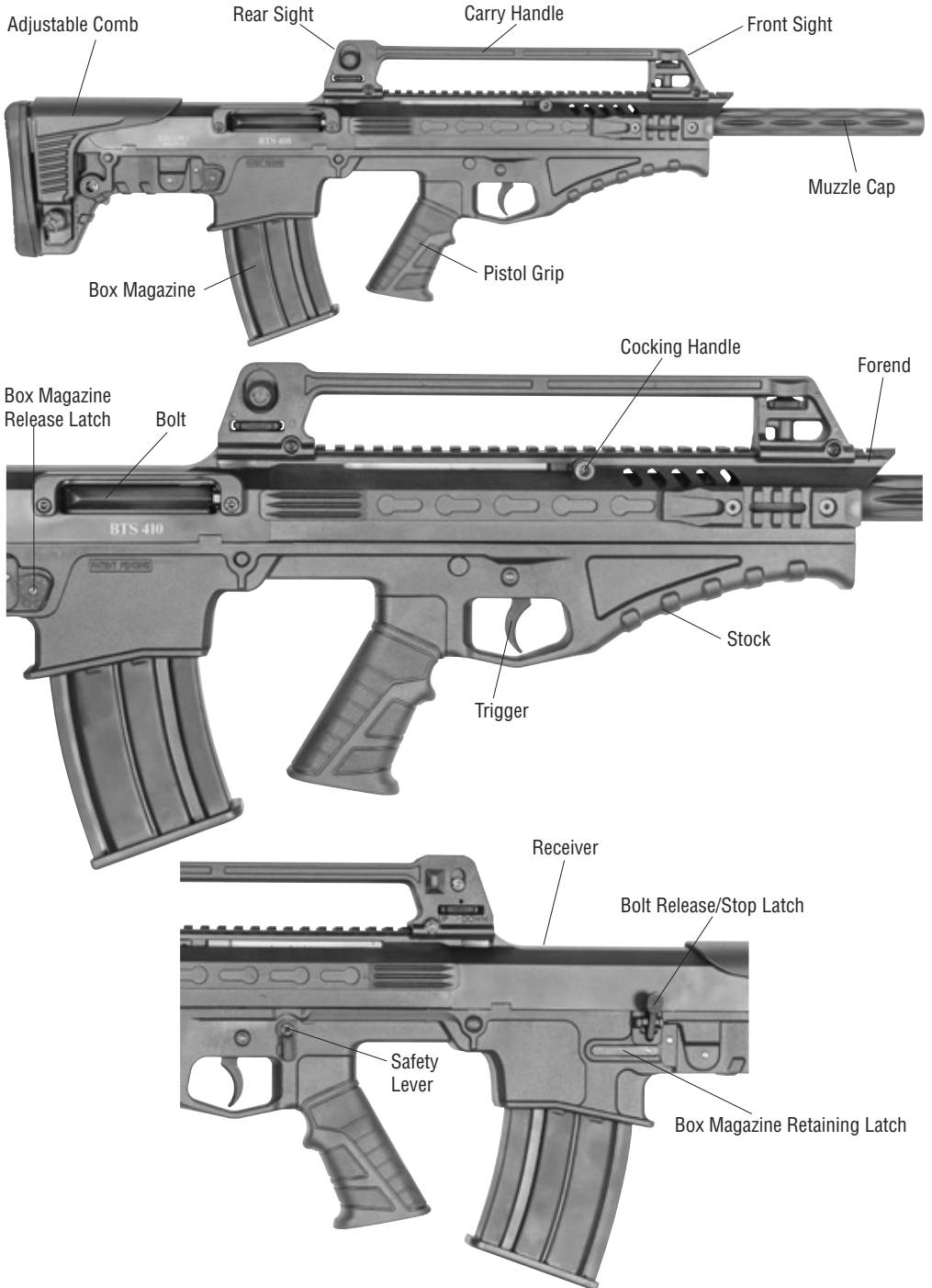
Elevation adjustable front sight.



Hatsan's patented ThermoDefend®Technology absorbs heat coming from the barrel, protecting your hand.

Escort BTS410's durable alloy magazine well allows for fast & easy magazine changes and offers improved durability compared to polymer stock.

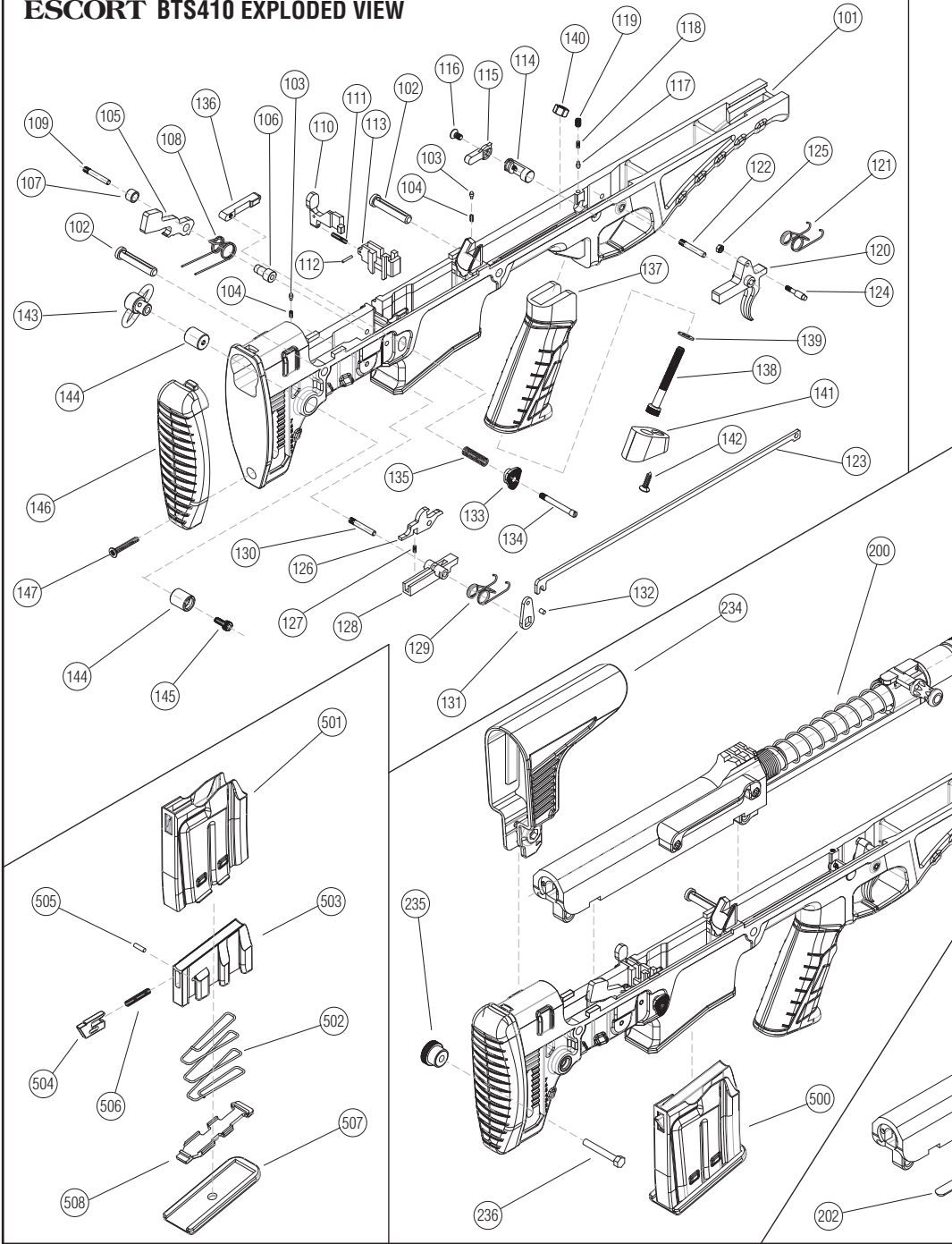
NOMENCLATURE

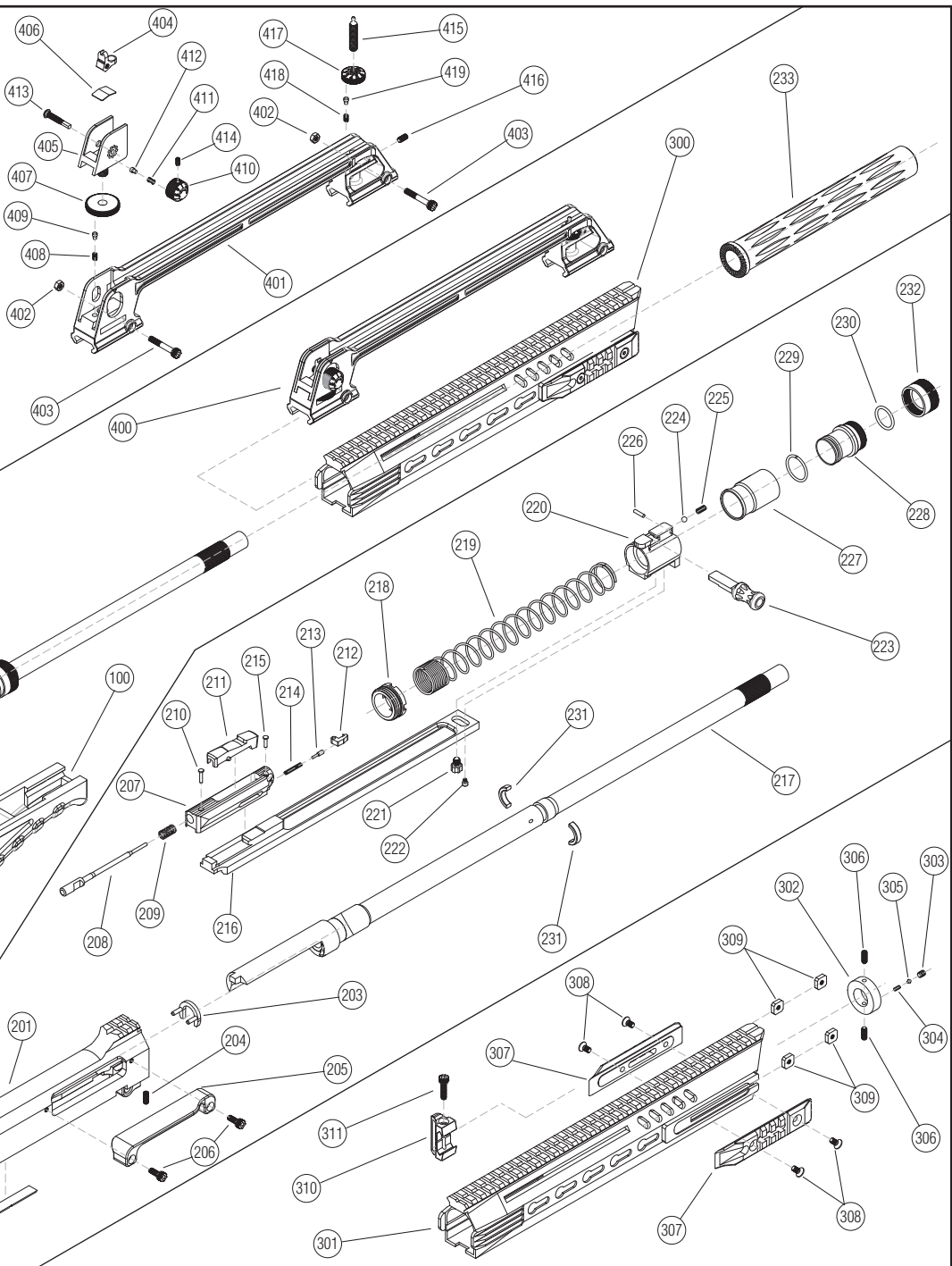


PARTS LIST - BTS410

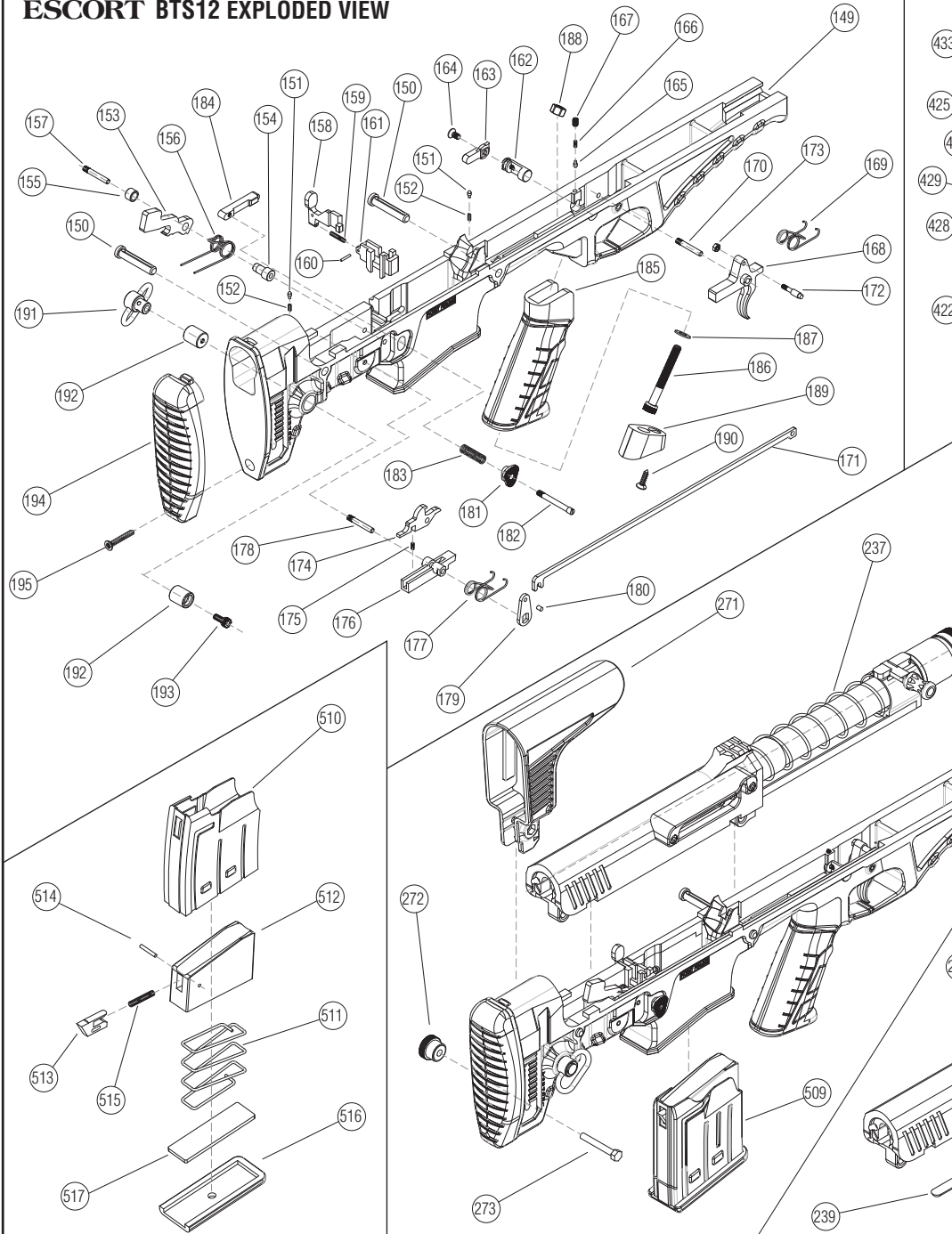
No.	Part Name	Part Code	No.	Part Name	Part Code
100	Complete Stock	53100	218	Barrel Counter Nut	53218
101	Stock	53101	219	Recoil Spring	53219
102	Receiver Pin	53102	220	Action Bar Bushing	53220
103	Stop Pin Of Receiver Pin	53103	221	Action Bar Connection Screw	53221
104	Stop Pin Spring Of Receiver Pin	53104	222	Action Bar Connection Counter Screw	53222
105	Hammer	53105	223	Cocking Handle	53223
106	Hammer Bushing Pin	53106	224	Cocking Handle Ball	53224
107	Hammer Bushing	53107	225	Cocking Handle Ball Spring	53225
108	Hammer Spring	53108	226	Cocking Handle Ball Spring Stop Pin	53226
109	Hammer Pin	53109	227	Gas Cylinder	53227
110	Bolt Drop Lever	53110	228	Piston	53228
111	Bolt Drop Lever Spring	53111	229	Piston Retaining Plug	53229
112	Bolt Drop Lever Pin	53112	230	Piston O-Ring	53230
113	Bolt Drop Lever Body	53113	231	Piston Retaining Stop Plug	53231
114	Safety	53114	232	Piston Nut	53232
115	Safety Lever	53115	233	Barrel Cap	53233
116	Safety Screw	53116	234	Cheekpiece	53234
117	Safety Pin	53117	235	Cheekpiece Adjusment Nut	53235
118	Safety Spring	53118	236	Cheekpiece Adjusment Screw	53236
119	Safety Setscrew	53119	300	Complete Forend	53300
120	Trigger	53120	301	Forend	53301
121	Trigger Spring	53121	302	Forend Bushing	53302
122	Trigger Pin	53122	303	Forend Bushing Lock Pin	53303
123	Trigger Connection Rod	53123	304	Forend Bushing Spring	53304
124	Trigger Connection Rod Screw	53124	305	Forend Bushing Pin	53305
125	Trigger Connection Rod Nut	53125	306	Forend Bushing Screw	53306
126	Sear	53126	307	Side Picatinny Rail	53307
127	Sear Spring	53127	308	Side Picatinny Rail Screw	53308
128	Sear Body	53128	309	Side Picatinny Rail Nut	53309
129	Sear Body Spring	53129	310	Forend Swivel	53310
130	Sear Body Stop Pin	53130	311	Forend Swivel Screw	53311
131	Sear Body Connection Washer	53131	400	Complete Carry Handle	53400
132	Sear Body Connection Washer Pin	53132	401	Carry Handle	53401
133	Box Magazine Drop Lever	53133	402	Carry Handle Nut	53402
134	Box Magazine Drop Lever Screw	53134	403	Carry Handle Screw	53403
135	Box Magazine Drop Lever Spring	53135	404	Rear Sight	53404
136	Box Magazine Retaining Latch	53136	405	Rear Sight Body	53405
137	Pistol Grip	53137	406	Rear Sight Spring Washer	53406
138	Pistol Grip Screw	53138	407	Rear Sight Elevation Adjusment Nut	53407
139	Pistol Grip Screw Washer	53139	408	Rear Sight Elevation Adjusment Nut Spring	53408
140	Pistol Grip Nut	53140	409	Rear Sight Elevation Adjusment Nut Stop Pin	53409
141	Pistol Grip Cap	53141	410	Rear Sight Windage Adjusment Nut	53410
142	Pistol Grip Cap Screw	53142	411	Rear Sight Windage Adjusment Nut Spring	53411
143	Swivel	53143	412	Rear Sight Windage Adjusment Nut Stop Pin	53412
144	Swivel Slots	53144	413	Rear Sight Windage Adjusment Nut Screw	53413
145	Swivel Slots Screw	53145	414	Rear Sight Windage Adjusment Setscrew	53414
146	Butt Pad	53146	415	Front Sight	53415
147	Butt Pad Screw	53147	416	Front Sight Stop Setscrew	53416
200	Complete Barrel-Receiver Group	53200	417	Front Sight Elevation Adjusment Nut	53417
201	Receiver Pin	53201	418	Front Sight Elevation Adjusment Nut Spring	53418
202	Receiver Wedge	53202	419	Front Sight Elevation Adjusment Nut Stop Pin	53419
203	Receiver Damping Wedge	53203	500	Comlete Box Magazine	53500
204	Receiver Setscrew	53204	501	Box Magazine	53501
205	Eye Protective Cover	53205	502	Box Magazine Spring	53502
206	Eye Protective Cover Screw	53206	503	Cartridge Pusher	53503
207	Bolt	53207	504	Cartridge Pusher Latch	53504
208	Firing Pin	53208	505	Cartridge Pusher Latch Pin	53505
209	Firing Pin Spring	53209	506	Cartridge Pusher Latch Spring	53506
210	Firing Pin Stop Pin	53210	507	Box Magazine Cap	53507
211	Locking Block	53211	508	Box Magazine Cap Locking	53508
212	Extractor	53212			
213	Extractor Pin	53213			
214	Extractor Spring	53214			
215	Extractor Retaining Pin	53215			
216	Action Bar	53216			
217	Barrel	53217			

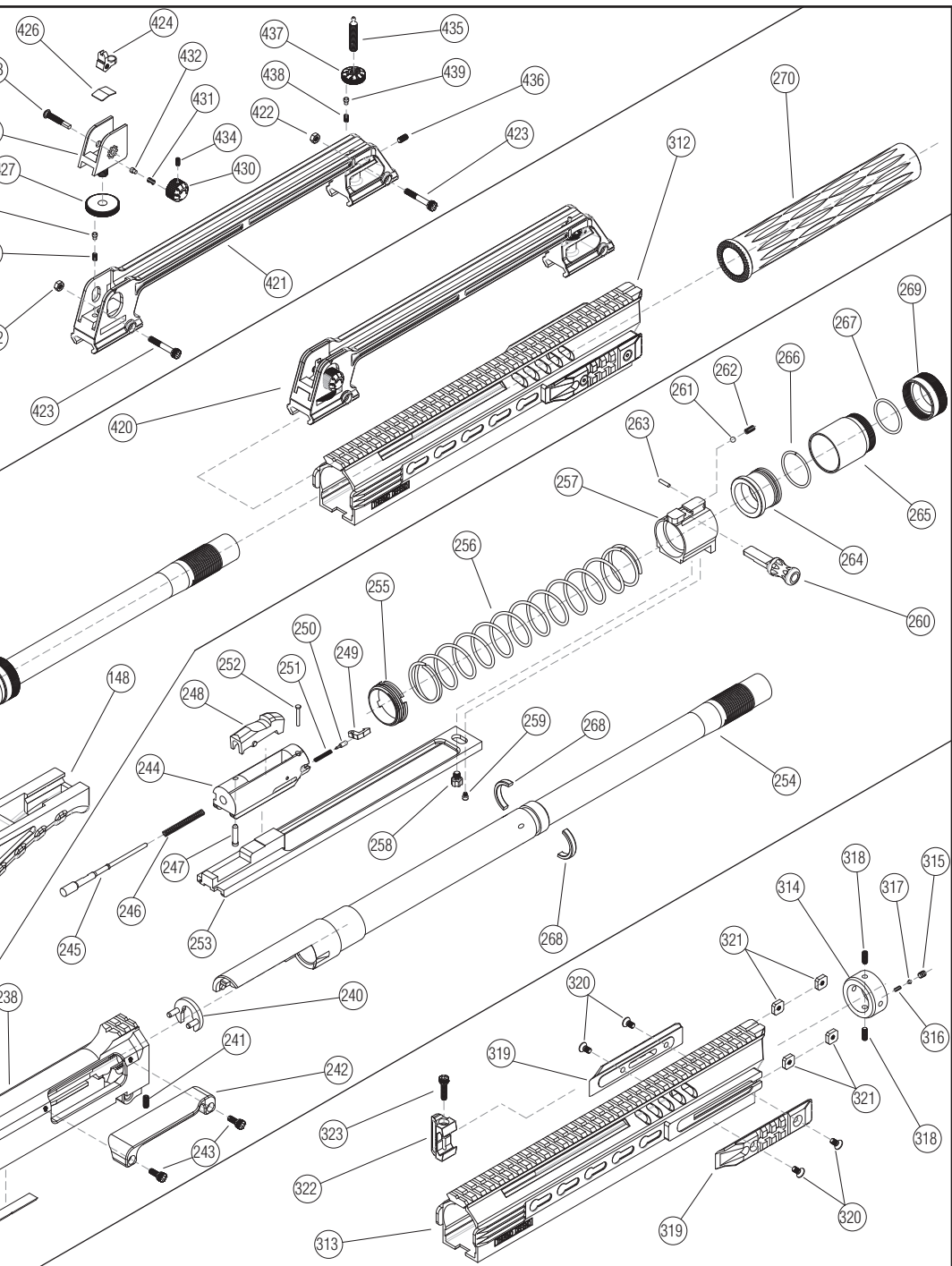
ESCORT BTS410 EXPLODED VIEW





ESCORT BTS12 EXPLODED VIEW





PARTS LIST - BTS12

No.	Part Name	Part Code	No.	Part Name	Part Code
148	Complete Stock	53148	255	Barrel Counter Nut	53255
149	Stock	53149	256	Recoil Spring	53256
150	Receiver Pin	53150	257	Action Bar Bushing	53257
151	Stop Pin Of Receiver Pin	53151	258	Action Bar Connection Screw	53258
152	Stop Pin Spring Of Receiver Pin	53152	259	Action Bar Connection Counter Screw	53259
153	Hammer	53153	260	Cocking Handle	53260
154	Hammer Bushing Pin	53154	261	Cocking Handle Ball	53261
155	Hammer Bushing	53155	262	Cocking Handle Ball Spring	53262
156	Hammer Spring	53156	263	Cocking Handle Ball Spring Stop Pin	53263
157	Hammer Pin	53157	264	Gas Cylinder	53264
158	Bolt Drop Lever	53158	265	Piston	53265
159	Boit Drop Lever Spring	53159	266	Piston Retaining Plug	53266
160	Bolt Drop Lever Pin	53160	267	Piston O-Ring	53267
161	Bolt Drop Lever Body	53161	268	Piston Retaining Stop Plug	53268
162	Safety	53162	269	Piston Nut	53269
163	Safety Lever	53163	270	Barrel Cap	53270
164	Safety Screw	53164	271	Cheekpiece	53271
165	Safety Pin	53165	272	Cheekpiece Adjusment Nut	53272
166	Safety Spring	53166	273	Cheekpiece Adjusment Screw	53273
167	Safety Setscrew	53167	312	Complete Forend	53312
168	Trigger	53168	313	Forend	53313
169	Trigger Spring	53169	314	Forend Bushing	53314
170	Trigger Pin	53170	315	Forend Bushing Lock Pin	53315
171	Trigger Connection Rod	53171	316	Forend Bushing Spring	53316
172	Trigger Connection Rod Screw	53172	317	Forend Bushing Pin	53317
173	Trigger Connection Rod Nut	53173	318	Forend Bushing Screw	53318
174	Sear	53174	319	Side Picatinny Rail	53319
175	Sear Spring	53175	320	Side Picatinny Rail Screw	53320
176	Sear Body	53176	321	Side Picatinny Rail Nut	53321
177	Sear Body Spring	53177	322	Forend Swivel	53322
178	Sear Body Stop Pin	53178	323	Forend Swivel Screw	53323
179	Sear Body Connection Washer	53179	420	Complete Carry Handle	53420
180	Sear Body Connection Washer Pin	53180	421	Carry Handle	53421
181	Box Magazine Drop Lever	53181	422	Carry Handle Nut	53422
182	Box Magazine Drop Lever Screw	53182	423	Carry Handle Screw	53423
183	Box Magazine Drop Lever Spring	53183	424	Rear Sight	53424
184	Box Magazine Retaining Latch	53184	425	Rear Sight Body	53425
185	Pistol Grip	53185	426	Rear Sight Spring Washer	53426
186	Pistol Grip Screw	53186	427	Rear Sight Elevation Adjusment Nut	53427
187	Pistol Grip Screw Washer	53187	428	Rear Sight Elevation Adjusment Nut Spring	53428
188	Pistol Grip Nut	53188	429	Rear Sight Elevation Adjusment Nut Stop Pin	53429
189	Pistol Grip Cap	53189	430	Rear Sight Windage Adjusment Nut	53430
190	Pistol Grip Cap Screw	53190	431	Rear Sight Windage Adjusment Nut Spring	53431
191	Swivel	53191	432	Rear Sight Windage Adjusment Nut Stop Pin	53432
192	Swivel Slots	53192	433	Rear Sight Windage Adjusment Nut Screw	53433
193	Swivel Slots Screw	53193	434	Rear Sight Windage Adjusment Setscrew	53434
194	Butt Pad	53194	435	Front Sight	53435
195	Butt Pad Screw	53195	436	Front Sight Stop Setscrew	53436
237	Complete Barrel-Receiver Group	53237	437	Front Sight Elevation Adjusment Nut	53437
238	Receiver Pin	53238	438	Front Sight Elevation Adjusment Nut Spring	53438
239	Receiver Wedge	53239	439	Front Sight Elevation Adjusment Nut Stop Pin	53439
240	Receiver Damping Wedge	53240	509	Comlete Box Magazine	53509
241	Receiver Setscrew	53241	510	Box Magazine	53510
242	Eye Protective Cover	53242	511	Box Magazine Spring	53511
243	Eye Protective Cover Screw	53243	512	Cartridge Pusher	53512
244	Bolt	53244	513	Cartridge Pusher Latch	53513
245	Firing Pin	53245	514	Cartridge Pusher Latch Pin	53514
246	Firing Pin Spring	53246	515	Cartridge Pusher Latch Spring	53515
247	Firing Pin Stop Pin	53247	516	Box Magazine Cap	53516
248	Locking Block	53248	517	Box Magazine Cap Locking	53517
249	Extractor	53249			
250	Extractor Pin	53250			
251	Extractor Spring	53251			
252	Extractor Retaining Pin	53252			
253	Action Bar	53253			
254	Barrel	53254			

TECHNICAL FEATURES AND DATA

Your shotgun is produced with fixed cylinder bore choke system. It means no choke adjustments can be made and no interchangeable chokes can be put. Fill in the blanks below according to your shotgun.

Model	Serial No	Barrel Length	Chamber	Caliber	Type
					Semi-automatic shotgun with detachable Box Magazine

EXTERNAL CONTROL PARTS

(“Left” and “Right” refers to the left and the right sides of the shotgun seen by a shooter while holding it in the firing position. Rear refers to the stock and front refers to the muzzle side of the shotgun)

SAFETY LEVER:

- It is located at the rear of the trigger on the trigger housing.
- The safety lever is disengaged if it is rotated clockwise in full and locked. In this position the safety lever points the letter “F” (which stands for FIRE) and the shotgun is ready to fire. **(1)**
- To engage the safety lever, rotate it counter clockwise until it stops & locks; and safety lever shows the letter “S” (which stands for SAFE).The safety is now ON, blocking the trigger from being pulled. **(2)**

WARNING!

- **Always keep the cross button safety “ON” until you are ready to fire and the muzzle pointing at the target.**
- **Make sure that you understand how all external control parts work before you attempt to load the shotgun.**
- **Keep the muzzle pointed in a safe direction and your finger off the trigger when operating the safety. Malfunctions which may cause a shotgun to fire whether the safety is engaged or disengaged are rare but can happen. Even if an accidental firing should occur, nobody will be hurt if you follow this rule.**

THREE THINGS TO REMEMBER ABOUT SAFETIES:

- 1. NEVER TOTALLY DEPEND ON A MECHANICAL SAFETY.** Like all mechanical devices the safety is subject to breakage or malfunction and can be defeated by wear, abuse, dirt, corrosion, incorrect assembly of the shotgun, improper adjustment or repair, or lack of maintenance.
- 2. NO MECHANICAL SAFETY IS “CHILDPROOF” OR “FOOLPROOF”.** No safety ever invented can be relied upon to prevent an accidental shooting by a determined child or a grown up idiot “playing” with a shotgun.
- 3. TREAT EVERY SHOTGUN AS IF YOU EXPECT ITS MECHANICAL SAFETY NOT TO WORK.**
You will be astounded at how cautious you become, and how little tolerance you will have for the complacency of others.

Box Magazine Retaining Latch: It is located on the left section of the trigger housing .It is used to retain the Box Magazine on the shotgun.

Box Magazine Release Latch: It is located on the right section of the trigger housing. When this is pressed, the Box Magazine detaches from the shotgun.

Bolt Release/Stop Latch: It is located on the left section of the receiver. This button keeps the Bolt locked at rear (when the Box Magazine is on the shotgun). When you press this latch; the bolt releases and closes & locks at front.

Trigger: It is located within the lower receiver. If the Safety is OFF (at F position) and if there is shotshell in the chamber; pulling the trigger will cause shotgun to fire.

Bolt Cocking Handle: It is on the right side of the shotgun, protruding from the Bolt. It is used to retract the Bolt.

Muzzle Cap: It is located at the barrel muzzle. This cap is screwed (clockwise) on the barrel to securely fasten the Barrel and the Fore-end.

FIRST USE OF THE SHOTGUN

Your new Escort BTS12 / BTS410 semi-automatic shotgun is packed dismantled in its box. Follow steps below to prepare assemble your shotgun. Before proceeding with the assembly of the shotgun, carefully check the “**Nomenclature**” and read “**Safety Measures**” sections.

- Make sure the barrel cap is tightened firmly. If not, rotate it clockwise and tighten it. **(3)**
- Take one the empty box magazines (which come with your shotgun) and insert it in its housing **(4)**. Do the following checks with the empty magazine.
- Insert the bolt handle in the bolt and pull back bolt cocking handle and lock the bolt at the rear. **(5)**
- Press the Bolt Release/Stop Latch so the bolt closes and locks at front. Make sure it is locked to the barrel. **(6)**
- Now your shotgun is ready for use. You can proceed the “Loading” and “Firing” sections of this instruction manual.

Before using your shotgun, carefully check and read the “**Nomenclature**” and read “**Safety Measures**” sections.

WARNING!

Barrel bore and chamber must be clean and there should be no obstructions in them.

Look through the chamber and make sure its empty. Assembly process must be done with an empty shotgun

LOADING THE SHOTGUN

WARNING!

- **Always keep your fingers away from the trigger if you do not intend to fire.**
- **Always check cartridge chamber and receiver to see that the shotgun is not already loaded.**
- **While you load the shotgun, always point the barrel in a safe direction.**
- **Always use the correct ammo size, which your shotgun is chambered.**
- **Always keep the safety “ON” while loading your shotgun.**

Load the shotgun as follows:

- Point the muzzle in a safe direction.
- Put the safety “ON”.
- By inserting the brass heads of the shotshells first; load shotshells in the magazine. **(7)**
- Carefully insert the loaded magazine into your shotgun. While inserting the magazine, brass heads of cartridges loaded into the magazine must face the trigger guard. **(4)**
- Retract the bolt cocking handle and release it back so that one shotshell from the magazine feeds into the barrel. **(8)**
- By doing so, the bolt slides fast to forward and locks in the receiver. **(6)**

WARNING!

Shotgun is now loaded and ready to be fired.

USING MAGAZINE PLUG

When mounted, Magazine Plug reduces the capacity of the Box Magazine to 2 shotshells capacity for safety reasons or regulations varying from country to country.

PS. Box magazine plug is optional. Consult your dealer about your country's laws regarding use of the plug.

It is recommended to have your box magazine plug assembled by a qualified gunsmith.

Assemble magazine plug as follows:

- If loaded, empty the box magazine by pushing out the brass heads of the shotshells. **(9)**
- With a proper pin, press on the magazine cap lock and release it from the magazine cap. **(10)**
- Because of high spring force in the magazine hold the Box Magazine Cap Lock with your fingers; slide the Box Magazine Cap to the side and carefully remove it. **(11)**
- After removing the Box Magazine Cap, carefully remove the Box Magazine Cap Locking and release the magazine spring slowly by controlling with your hands. **(12)**
- Insert the magazine plug inside the magazine spring and push the spring into the magazine **(13)** until the magazine plug is aligned to the bottom of the magazine.
- Keep holding with your hand and slide the magazine cap in its place at the magazine. **(14)**
- With the help of a proper pin; place the locking section of the magazine plug on its housing on the magazine cap.

NOTE: To dismount the box magazine plug reverse the assembly procedures.

FIRING THE SHOTGUN

WARNING!

When firing, keep your fingers and other objects away from the path of the bolt and the bolt cocking handle since they move backward and forward with considerable force and velocity. Keep the safety "ON" and your fingers outside the trigger guard until you are actually ready to fire and aimed at your intended target. Bolt will remain open (locked at the rear) after the last cartridge is fired, but never rely on this. Always check with visually to verify that no cartridge is left in the chamber and magazine. Your semi auto shotgun, like other semi auto shotguns, feeds the next cartridge from the magazine into the cartridge chamber each time you fire. Since no mechanical force is necessary to fire another cartridge after the previous one is ejected, always be aware that the shotgun is ready to fire as long as it is loaded.

Fire with your shotgun as follows;

- Wear eye and ear protection.
- Engage safety and load your shotgun. (see loading section)
- Retract the bolt cocking handle and release it back so one shotshell is loaded in the barrel chamber.
- Point the barrel at your intended target.
- Disengage safety and take aim.
- Press the trigger.

WARNING!

Do not hold from the magazine while shooting. One hand should hold pistol grip and the other hand should hold forend or foregrip during shooting.

It is not uncommon while loading or firing any semi-automatic shotgun to experience a malfunction in which an unfired cartridge or fired cartridge case becomes jammed between the bolt and the barrel. Clear such a stoppage as follows. Point the muzzle in a safe direction. Put the safety "ON". Detach the Box Magazine. Pull back the bolt and hold it at the rear **(5)** and with your other hand pull out the bolt release/

stop latch and lock the bolt at the rear **(15)**. The jammed cartridge or case can then be removed by shaking it out, or picking it out with your fingers.

WARNING!

Always keep your fingers away from the path of Bolt or Bolt Cocking Handle. Follow the steps below carefully to avoid and injury or damage:

- When there is no magazine inserted in the shotgun; pull the Bolt Release/Stop Latch out in full until it stops. Otherwise you may cause the latch to miss the bolt.
- When the magazine is inserted or not; when you lock the bolt at rear; make sure there is no external force/impact on the bolt release/stop latch. Otherwise the bolt can close without your control.

WARNING!

- If the trigger is pulled and a “click” is heard but a chambered cartridge fails to fire, follow the below instructions:
 - Point the shotgun in a safe direction.
 - Engage safety and remove the Box Magazine.
 - Wait 30 seconds.
 - Eject the cartridge from the chamber by retracting the bolt. Examine the cartridge primer. If it has been deeply indented by the firing pin, the cartridge is defective. If it has been indented lightly or not at all, rechamber the cartridge and try again.
 - If it still does not fire unload the shotgun and take it to a qualified gunsmith.
- When you are firing, if you notice that the sound of any cartridge is considerably louder or softer than the previous one, stop firing and do not load the shotgun anymore. In such a case, follow the below instructions.
 - Point the shotgun in a safe direction.
 - Engage safety.
 - Follow the instructions in the “unloading section” and unload the shotgun completely.
 - With the shotgun unloaded, check the barrel for blockage or damage, and inspect the mechanical portions and receiver of the shotgun for damage. If you notice any damage or malfunction in the shotgun take it to qualified gunsmith.

UNLOADING THE SHOTGUN

WARNING!

Keep your fingers off the trigger and keep the safety “ON”.

Unload your shotgun as follows:

- Point the shotgun in a safe direction and engage the safety. **(2)**
- Press the box magazine retaining latch and detach the box magazine. **(16)**
- To remove the cartridges from the magazine push them in the opposite direction of loading. **(9)**
- Retract the bolt cocking handle to eject the cartridge from the chamber.
- Keeping your fingers away from the path of the bolt; release the bolt so it closes and locks at front.
- Disengage safety and pointing the shotgun in a safe direction (even though it may be unloaded), depress the trigger to lower the hammer.

DISASSEMBLY

WARNING!

Make sure the shotgun is completely empty and safety is ON before you start disassembling the shotgun.

Disassembly the shotgun as follows:

- Unscrew (counter clockwise direction) the barrel cap and remove it from the barrel. **(17)**
- Pull the cocking handle and remove it from action bar bushing. **(18)**
- Pull out the forend from the barrel. **(19)** Be careful when doing this so the forend bushing does not fall. Make sure the forend bushing pin points the muzzle when putting the forend back to the shotgun.
- Rotate the cheekpiece adjustment nut counter clockwise and remove it. **(20)**
- Remove the cheekpiece adjustment nut screw. **(21)**
- Remove cheekpiece from the stock by opening its legs **(22)**. Instead of removing the cheekpiece, you can loosen the cheekpiece adjustment nut and elevate the cheekpiece to its highest position and disassemble the receiver group.
- If assembled remove the magazine by pressing the magazine release button. **(16)**
- Pull out the pins holding receiver and stock. **(23)**

WARNING!

While pulling these pins out, they do not come off entirely from the receiver. Some part of them stay in the stock. While pulling them out; they reach to a point where they sit in their housings located on receiver pins. (24) Do not force them any further as this may damage the pins. Stock and receiver will detach from each other when the pins release from stock.

- Detach stock and receiver from each other. **(25)** To prevent damage, make sure stock and receiver are parallel to each other when you are detaching them.
- Rotate the piston nut counter clockwise and remove it from the piston by pulling it through the muzzle. **(26)**
- Pull the piston slightly to the rear so you can remove the piston clips. **(27)**
- Pull the piston towards to muzzle and remove it. **(28)**
- If piston came together with the gas chamber; remove the piston from the gas chamber. **(29)** If gas chamber stayed on the barrel; pull it towards the muzzle and remove it.
- Remove the action bar connection counter screw. **(30)**
- Remove the action bar connection screw. **(31)**
- By using the counter nut wrench; rotate the counter nut in counter clockwise direction. **(32)**
- Release the action bar bushing from action bar; pull it towards the muzzle and remove it. **(33)**
- Remove the recoil spring. **(34)**
- Pull the barrel and remove it from the receiver. **(35)**
- Pull the counter nut and remove it from the barrel. **(36)**
- Pull and remove the bolt group and action bar from the receiver. **(37)**
- Take the bolt group from the top of the action bar. **(38)**

NOTE: To reassemble your shotgun reverse the disassembly procedures. Be careful about the direction of the parts when you reassemble the parts.

WARNING!

If you wish to disassembly the shotgun right after shooting; be careful as the barrel might have get hot. Do not start assembly or disassembly if the barrel is hot. Let it cool before you touch the barrel or start disassembly process.

NOTE: Do not attempt to disassemble the parts in the lower receiver. Contact your local gunsmith or service department if you need assistance with these parts.

WARNING!

If the barrel does not sit properly in the receiver or if the bolt does not lock in front, it means you have not assembled your shotgun properly. In such case, disassemble your shotgun and assemble again by following the instructions in this manual. Take your shotgun to gunsmith if you still cannot assemble your shotgun properly. After you assembled your shotgun or if you are taking it to a gunsmith for help, make sure that you keep the safety “ON”.

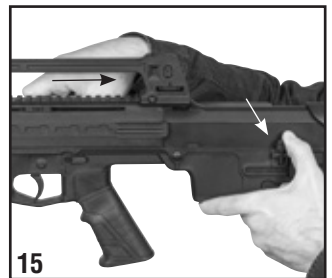
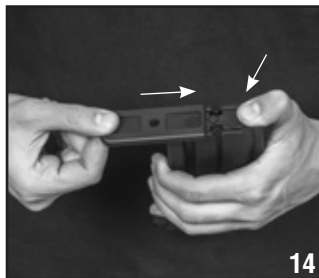
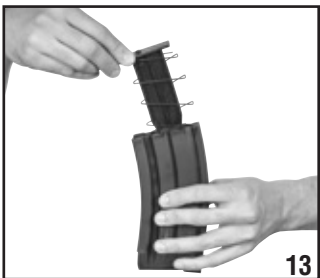
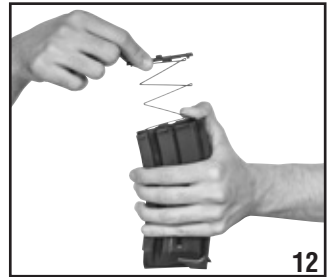
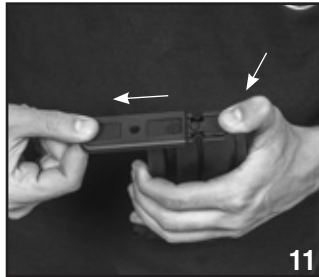
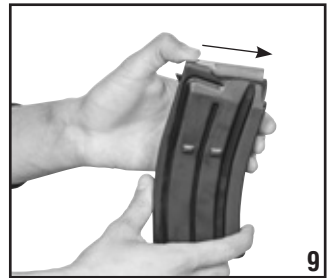
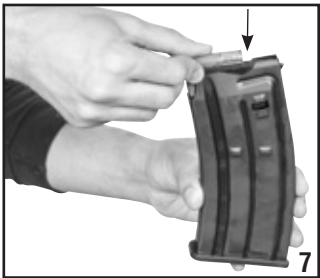
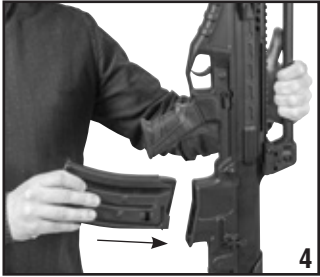
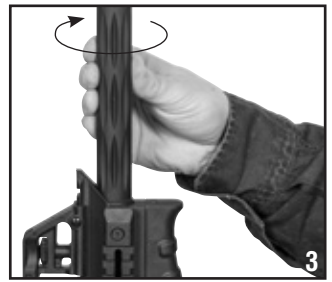
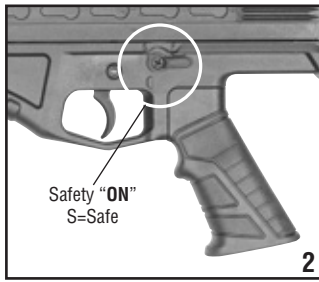
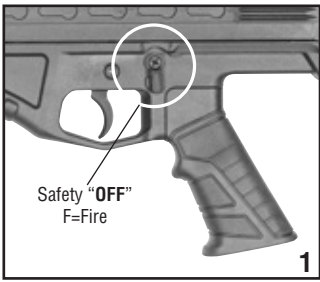
CARE, CLEANING AND LUBRICATION

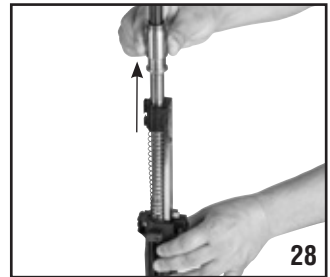
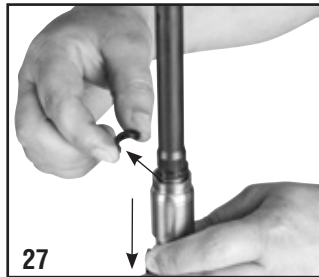
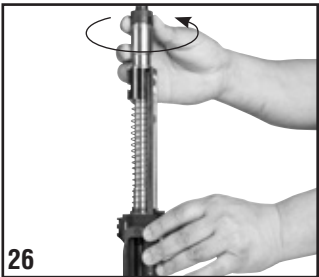
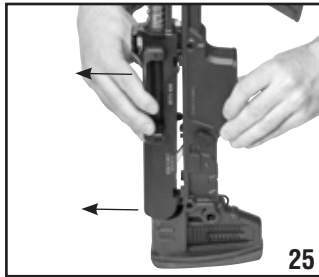
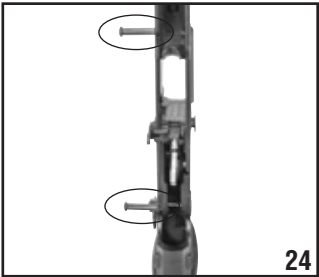
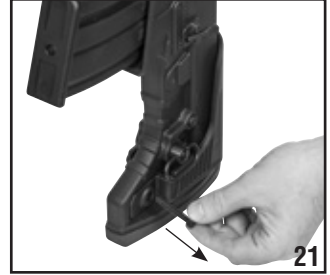
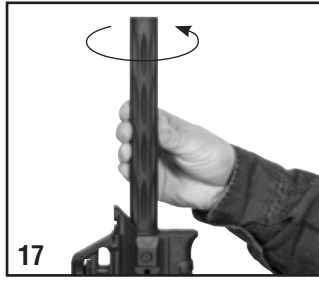
WARNING!

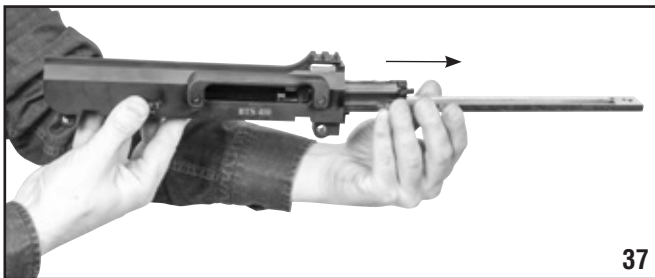
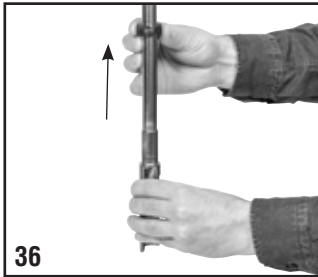
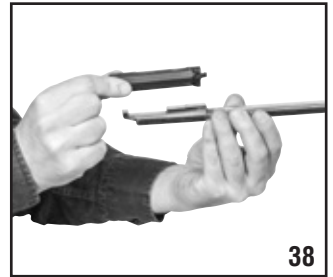
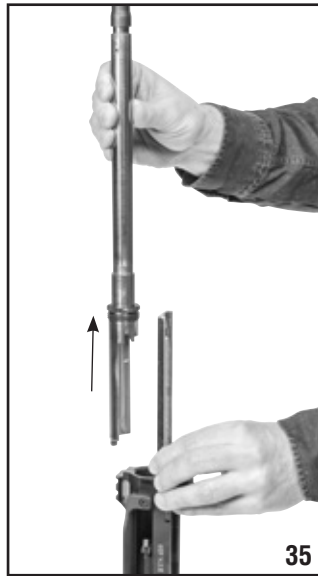
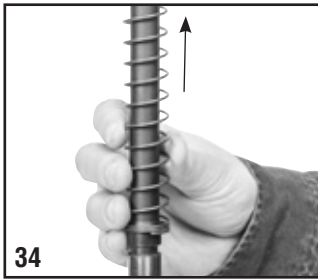
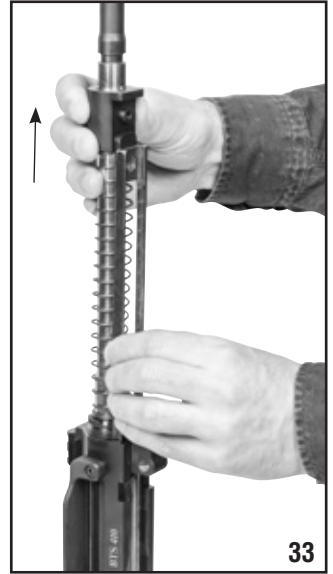
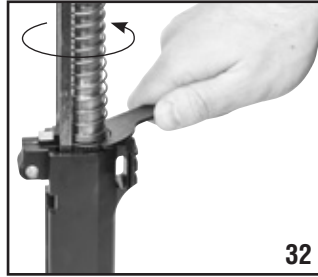
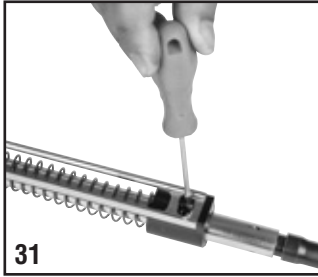
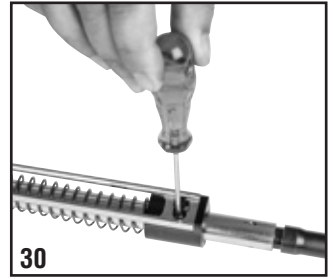
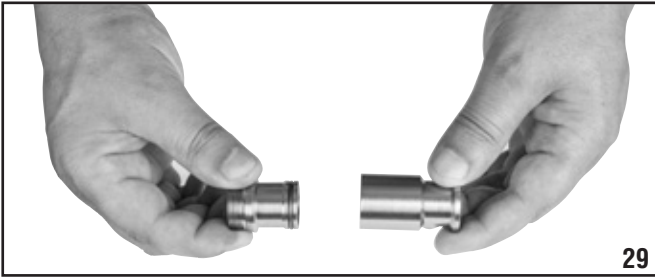
Before cleaning or lubricating the shotgun make sure it is unloaded and the safety is “ON”. It is recommended to disassemble the shotgun to clean and to lubricate it when grease or dirt particles accumulate and combustion residues. To have the best resistance against corrosion, it is necessary to clean and lubricate the shotgun after each use, especially after use in wet and saline environment.

Materials and equipment necessary for cleaning and lubrication;

- Cleaning rod
 - Cotton bore patches
 - Brass bore brush
 - Small soft brush
 - Powder solvent
 - Good quality shotgun oil
-
- After use, to remove any powder and lead residue in the bore, scrub the barrel and chamber using the bore brush with powder solvent. Then do not forget to swab the bore and the chamber with oiled cotton patches to protect from rust and corrosion.
 - Do the general maintenance after daily shots.
 - At the end of the hunting season or after 100 shots, disassemble the parts explained in **ASSEMBLY & DISASSEMBLY** section of this manual and clean it with a soft brush and shotgun oil. Then dry it carefully with a soft cloth and oil the parts lightly.
 - After you remove the bolt group and the action bar; clean inside the upper receiver and lower receiver with soft brush and gun oil.
 - Clean the outer surface the magazines with oiled cotton patches. Then dry it carefully with a soft cloth and oil the parts lightly.
 - Any powder on the firing wall, barrel, etc. can be cleaned with a brush and powder solvent.
 - All external surfaces should be wiped down with light coat of rust preventative.









Serious. Solid. Impact.

HATSAN
ARMS COMPANY

www.hatsan.com.tr | www.hatsanUSA.com