



PLR-16 Pistol

KEL-TEC CNC INDUSTRIES INC.

**1475 COX ROAD
COCOA FL 32926
321-631-0068
www.kel-tec.com**

"THE USE OF A LOCKING DEVICE OR SAFETY LOCK IS ONLY ONE ASPECT OF RESPONSIBLE FIREARM STORAGE. FIREARMS SHOULD BE STORED UNLOADED AND LOCKED IN A LOCATION THAT IS BOTH SEPARATE FROM THEIR AMMUNITION AND INACCESSIBLE TO CHILDREN AND OTHER UNAUTHORIZED PERSONS."



OWNED

MADE

PARTS ©



SAFETY, INSTRUCTION, AND PARTS MANUAL

KEL-TEC PLR-16 Pistol

SAFETY, INSTRUCTION & PARTS MANUAL

STATEMENT OF LIABILITY

This pistol may be classified as a dangerous weapon and is surrendered by KEL-TEC CNC INDUSTRIES INC. with the understanding that the purchaser assumes all liability resulting from unsafe handling or any action that constitutes a violation of any applicable laws or regulations. Firearms can cause serious injury and death. Safety must be the prime consideration of anyone who handles firearms. Always treat a firearm as though it were loaded. Always keep the muzzle pointed in a safe direction.

In owning a firearm, you are responsible for the firearm's safety and security. Always secure firearms from children.

READ THESE INSTRUCTIONS AND WARNINGS CAREFULLY, BE SURE YOU UNDERSTAND THESE INSTRUCTIONS AND WARNINGS BEFORE USING THIS FIREARM.

This SAFETY, INSTRUCTION & PARTS MANUAL should always accompany this firearm and be transferred with it upon change of ownership or when the firearm is loaned or presented to another person. A copy of the SAFETY, INSTRUCTION & PARTS MANUAL is available FREE upon request and can also be downloaded from the internet at: <http://www.Kel-Tec.com>.

READ AND CAREFULLY FOLLOW THESE WARNINGS AND INSTRUCTIONS

These warnings and instructions are provided to assure the safe functioning of the pistol. Failure to heed them may result in improper functioning and serious injury.

Kel-Tec firearms are designed to function reliably with proper care and knowledgeable use. Do not use your firearm unless you fully understand these instructions, and the safe operation of your firearm.

Only safe gun-handling habits will ensure the safe use of your firearm. This is your responsibility. Accidents are the result of violating the rules of safe gun handling and common sense.

Before handling a firearm, understand its operation.

Never accept or pick up a firearm without checking the magazine and the chamber to assure the weapon is empty. Do not trust the extractor to clear the chamber, look and feel.

Always make sure the muzzle is pointed in a safe direction at all times.

Never point a firearm at anyone or anything you do not intend to shoot.

Make sure your “audience” is always 5 feet behind you, not next to you when firing.

Keep your firearm unloaded when not in use.

Never keep a loaded firearm in the home or vehicle. Never store a firearm with a cartridge in the chamber.

Never store firearms and ammunition together, keep them locked up and away from children.

Never touch the trigger when working the action. Never alter any components of your firearm.

Never take medications, drugs, or alcohol when handling firearms.

Never load or unload a firearm without assuring the muzzle is pointed in a safe direction.

Never load a firearm except immediately before shooting.

SAFE GUN HANDLING IS YOUR RESPONSIBILITY

The PLR-16 pistol is designed and chambered for the 5.56mm NATO (.223 Remington) cartridge. The type of ammunition is also stated on the right side of the receiver. Do not use any other ammunition.

Only use commercially manufactured ammunition, clean, dry, and in good condition. Never use non-standard, reloaded or damaged cartridges.

Never use ammunition where the pressure levels exceed industry standards. Kel-Tec guns are manufactured from high quality materials. They will provide extended service life. However, all warranties, expressed or implied, are voided and Kel-Tec will not be liable for property damage or personal injury and consequential damages, if faulty ammunition is used in Kel-Tec centerfire firearms.

Discharging firearms in poorly ventilated areas, cleaning firearms, or handling ammunition may result in exposure to lead and other substances known to cause birth defects, reproductive harm, and other serious physical injury. Have adequate ventilation at all times. Wash hands thoroughly after exposure.

Never discharge a firearm without proper shooting glasses and ear protection. Never shoot at any water surface or any surface where a ricochet can occur.

Never shoot until you are sure of your backstop and what lies beyond it.

If the gun does not discharge after pulling the trigger, do not change its direction for at least 30 seconds, you could be having a “hang fire”.

Do not allow a firearm to be used by individuals who do not understand its safe operation and the rules of safe gun handling.

CAUTION: After firing several rounds the forward, exterior metal parts of the PLR-16 pistol get hot and can cause severe burns.

Be sure all accessories are compatible with the firearm and that the accessories do not interfere with safe operation.

When transporting your firearm, be sure your firearm is unloaded.

If you do not understand how to operate any of our products or have any questions about their safe handling, please write, call, or email us.

Always be aware of other people so that they cannot accidentally walk into the line of fire. When firing on a target range, be alert and follow the range officer’s commands. Never cross obstacles such as fences or streams with a loaded firearm.

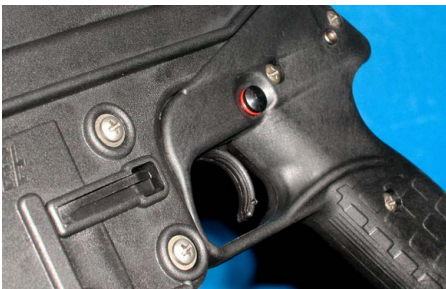
INTRODUCTION

The PLR-16 is a semi-automatic pistol chambered for the 5.56mm NATO (.223 Remington) cartridge. The PLR-16 pistol will accept most standard M-16 type magazines.

CONSTRUCTION

The receiver and grip are made of an impact resistant glass reinforced Zytel. The receiver has an aluminum insert molded into the front to accept the barrel and the serial number. A MIL-STD-1913 picatinny rail is integrated into the top of the receiver to allow for attachments.

The firing mechanism is of conventional single action type. It has a push bolt safety that blocks the trigger. The muzzle end of the barrel is threaded with a 1/2-28 inch thread to accept standard attachments such as a muzzle brake. With the pistol unloaded, chamber clear, and safety on, simply unscrew the knurled thread protector to expose the thread. Apply no more than 20 ft-lbs of torque to these threads.



INSTRUCTIONS FOR USE

Safety

To achieve operator safety, combined with ease of handling, the PLR-16 pistol's manual safety, when applied, positively blocks the trigger from rotating the sear. The safety can be applied at any time, whether the hammer is cocked or not. Only when the red ring on the safety is fully obscured is the safety engaged. Obviously the safest condition of the pistol is unloaded. Also considering unauthorized operation, other modes of storing or carrying will gradually improve readiness at the cost of safety.

Malfunctioning

Proper function of your PLR-16 pistol is directly related to maintenance and care, and to the ammunition you use. Some of the more common types of malfunctions which may occur are as follows:

Misfire: A failure to fire or an unusual sound upon firing is always a signal to cease firing and immediately examine the bore of the firearm. It is not sufficient to just pull the operating handle back and examine the chamber. You must remove the magazine, clear the chamber, lock the bolt open and inspect the bore visually - and with a rod if necessary - to be certain it is completely clear of any obstruction. Failure to detect and remove a bore obstruction can result in serious injury or death to the shooter and bystanders, as well as damage to the firearm.

WARNING: DO NOT ATTEMPT TO REMOVE A LODGED BULLET OR ANY OTHER OBSTRUCTION BY USING A BLANK CARTRIDGE, OR A CARTRIDGE WITH THE BULLET REMOVED, OR BY ANY MEANS OTHER THAN THE USE OF THE PROPER SIZE CLEANING ROD (WITHOUT A TIP OR BRUSH) AND REASONABLE FORCE APPLIED TO THE ROD. BE CERTAIN ALL LOOSE POWDER HAS BEEN REMOVED FROM THE BORE AND ACTION BEFORE INTRODUCING THE ROD INTO THE BORE.

Failure to Feed: This occurs when a cartridge has been fed from a magazine but not fully chambered. If this occurs, keep the firearm pointed in a safe direction, remove that cartridge, operate the bolt manually and continue shooting. If necessary, change the magazine. The most common causes are dirt or foreign objects impeding the magazine follower. Improperly crimped cartridges are another cause.

Failure to Eject or Extract: A fired case is not fully extracted from the chamber or ejected from the pistol. Again, keep the firearm pointed in a safe direction, clear the gun by operating the bolt, remove the case and continue. If necessary, change the magazine. The most common causes are a damaged extractor, ejector, or ammunition. Improperly loaded or sized cartridges can also cause this. If any of the above problems are not solved by cleaning

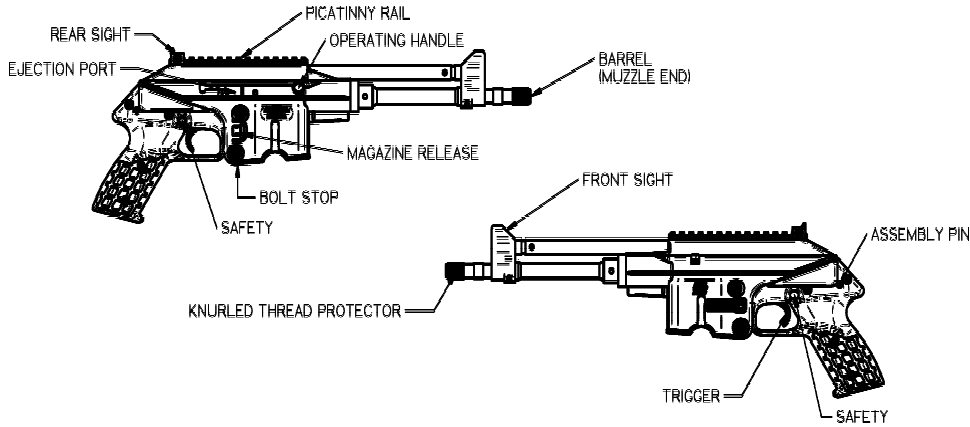
or by use of other brands of ammunition, stop firing, unload and return the PLR-16 pistol to our service department.

Firing

With the muzzle pointed in a safe direction and your finger outside the trigger guard, take aim at a safe target, disengage the safety and squeeze the trigger until a round is fired. Release the trigger and you are ready to fire another round. Upon firing, the bolt moves rearward extracting and ejecting the fired round and returns to the forward position feeding another round automatically. This sequence can be repeated until the last round has been fired. The PLR-16 has an automatic bolt stop so after the last round is fired the bolt will lock open. Remove the empty magazine by pressing the magazine catch located on the right side of the receiver and pull out the empty magazine. To continue shooting simply insert a full magazine into the magazine well, firmly push it up until it locks. Pull back and release the operating handle to release the bolt stop and feed the next round. The rifle is now ready to fire.

Unloading

To unload the PLR-16 pistol, engage the safety, push in the magazine catch, remove the magazine, and pull the operating handle fully back to eject the round in the chamber. Do not obstruct the ejector port and keep fingers away from trigger and muzzle. With the operating handle fully held back push up on the



bolt stop and slowly release the operating handle, the bolt should stay open. Visually inspect the chamber to make sure it is empty. Pull back on the operating handle to release the bolt stop and release the operating handle to close the chamber. Push the remaining cartridges in the magazine forward and out.

Loading

To load, fill the magazine by pressing a cartridge downward on the magazine follower (or downward on the previously loaded cartridge). Continue loading until you have loaded the number of cartridges you wish to load, up to the magazine capacity of 10 rounds. Do not attempt to load your magazine with more than the specified number of rounds. Doing so can damage the magazine and can cause a feeding malfunction. Before inserting a loaded magazine always tap the back of the magazine against a hard surface two or three times in order to properly seat all the cartridges to the rear of the magazine.



With the pistol's safety engaged, hold the pistol in one hand with the muzzle pointing in a safe direction and with your finger off the trigger and outside the trigger guard. Insert the loaded magazine into the grip until it is locked in place. Check to assure that the magazine is secure. Pull the operating handle back and release. This strips a round from the magazine and seats it in the barrel chamber.

If you wish to restore the magazine in your pistol to full capacity, press the magazine catch and remove the magazine to load the missing round. Remember to keep the safety engaged and your pistol pointed in a safe direction under all conditions and always keep your finger off the trigger and outside the trigger guard until ready to fire.

DISASSEMBLY

NOTE: Disassembly can be performed with only a cartridge but a few simple tools such as a small punch and small pliers can make things much easier. A Phillips head screw driver is not necessary for general maintenance and none of the screws on the pistol should ever need to be removed for general maintenance.

Pistol disassembly

Remove the magazine and unload your PLR-16 pistol. Cycle the operating handle to be sure that there is no round in the chamber. Make sure the bolt is in the forward position and the safety is engaged.

CAUTION: Some accessories that are mounted to the picatinny rail on the top of the receiver may interfere with the disassembly of the PLR-16 pistol. It is advisable to remove any scopes or other devices mounted to the rail before proceeding with disassembly.

With a cartridge or other pointed object, push out and remove the assembly pin. Rotate the grip down and forward. Grab the recoil spring



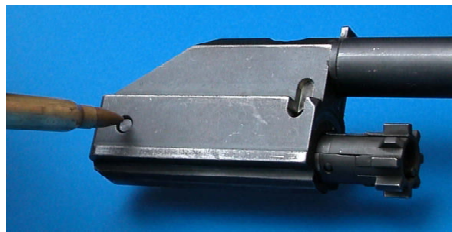
tube, pull it towards the muzzle and twist it 1/4 turn so that the locking tab points towards the top of the pistol, it should slide into the receiver about 1/4 inch as you release the recoil spring tube. Slowly pull back on the operating handle, the recoil spring tube should also move back and there should not be any spring pressure felt. Pull the handle all the way back and push it down into the operating handle removal cutout in the receiver. The operating handle should now be able to be pulled straight out of the bolt carrier. After the operating handle is removed the bolt carrier assembly can now be guided out of the bottom of the receiver.



Bolt carrier disassembly:

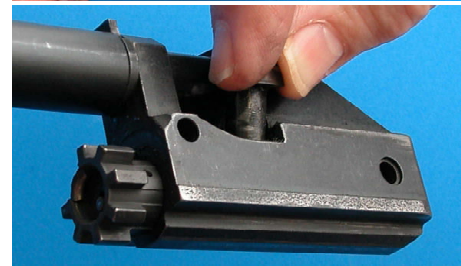
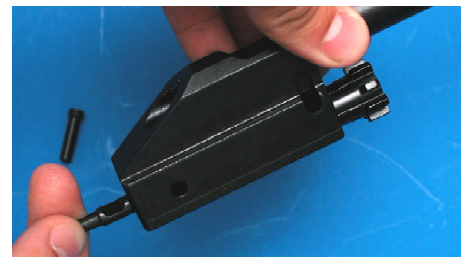
To remove the bolt, cam pin, and firing pin, simply press out the firing pin pin from the right side of the bolt carrier with a small tool or a cartridge. Remove the firing pin from the back of the bolt carrier, you may need to tap the bolt carrier or move the bolt in and out to get the firing pin to fall out enough to grip it. With the firing pin removed the cam pin can now be pulled out and with the cam pin out the bolt can be removed from the front of the carrier.

To remove the piston head, recoil spring tube, and recoil spring, first rotate the recoil spring tube to align the holes in the recoil spring tube with the pin in the piston head. While holding the piston head with one hand, press out the piston pin with the firing pin or a small tool.



CAUTION: The piston head is under pressure from the compressed recoil spring and the piston head and recoil spring can easily fly out and injure yourself or bystanders, always keep a hand on the piston head and point the piston head in a safe direction when removing it.

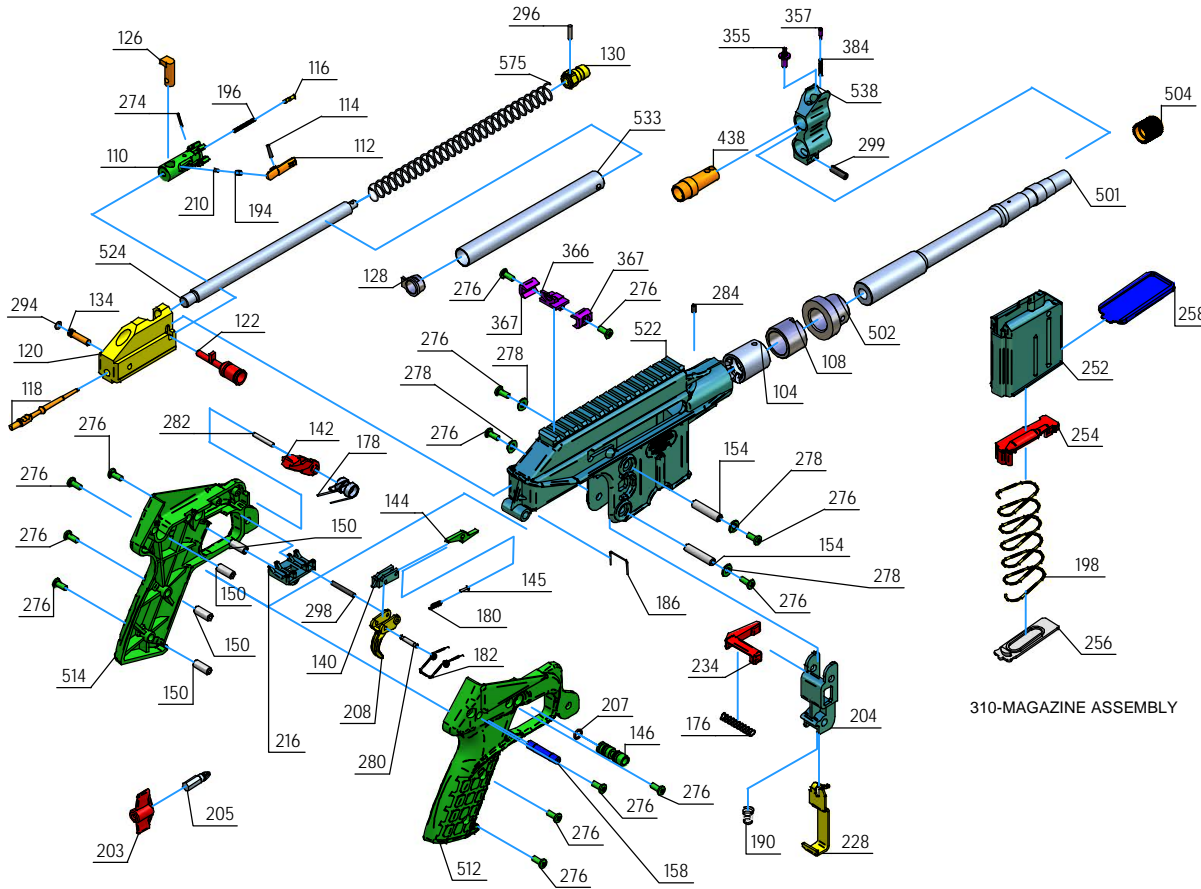
With the piston pin removed the piston head is now free to be taken off. Slide the recoil spring tube off the piston rod and remove the recoil spring from the recoil spring tube.





PLR-16 PISTOL

Part# 522 Exchange Only



- | | | |
|-------------------------|-----------------------------|-----------------------------------|
| 104 BARREL EXTENSION | 190 BOLT STOP SPRING | 294 O'RING |
| 108 BARREL RETAINER | 194 EXTRACTOR SPRING | 296 PISTON PIN |
| 110 BOLT | 196 EJECTOR SPRING | 298 TRIGGER AXIS |
| 112 EXTRACTOR | 198 MAGAZINE SPRING | 299 GAS BLOCK PIN |
| 114 EXTRACTOR AXIS | 203 DRIVER HOUSING | 355 FRONT SIGHT POST |
| 116 EJECTOR | 204 MAGWELL | 357 FRONT SIGHT DETENT PIN |
| 118 FIRING PIN | 205 PHILLIPS DRIVER | 366 REAR OPEN SIGHT |
| 120 BOLT CARRIER | 207 RED O'RING | 367 REAR SIGHT ADJUSTER |
| 122 OPERATING HANDLE | 208 TRIGGER | 378 FRONT SIGHT DETENT PIN SPRING |
| 126 CAM PIN | 210 EXTRACTOR SPRING BUFFER | 438 C-GAS HEAD |
| 128 RECOIL SPRING CATCH | 216 RECEIVER SPREADER | 501 BARREL |
| 130 PISTON HEAD | 228 BOLT STOP | 502 COMPACT FOREND BARREL NUT |
| 134 FIRING PIN PIN | 234 MAG CATCH | 504 LONG THREAD PROTECTOR |
| 140 TRIGGER BLOCK | 252 MAGAZINE HOUSING | 512 PISTOL GRIP RIGHT |
| 142 HAMMER | 254 MAGAZINE FOLLOWER | 514 PISTOL GRIP LEFT |
| 144 SEAR | 256 MAGAZINE PLATE | 522 PISTOL RECEIVER |
| 145 SEAR SPRING PIN | 258 MAGAZINE BOTTOM | 524 D PISTON ROD |
| 146 SAFETY | 274 EJECTOR PIN | 533 PISTOL RECOIL SPRING TUBE |
| 150 STOCK SPACER-16 | 276 RECEIVER SCREW | 538 PISTOL GAS BLOCK FRONT SIGHT |
| 154 SPACER-29 | 278 RECEIVER WASHER | 575 PISTOL RECOIL SPRING |
| 158 ASSEMBLY PIN | 280 SEAR PIN | |
| 176 MAG CATCH SPRING | 282 HAMMER AXIS | |
| 178 HAMMER SPRING | 284 BARREL EXTENSION PIN | |
| 180 SEAR SPRING | | |
| 182 TRIGGER SPRING | | |
| 186 STOCK PIN SPRING | | |

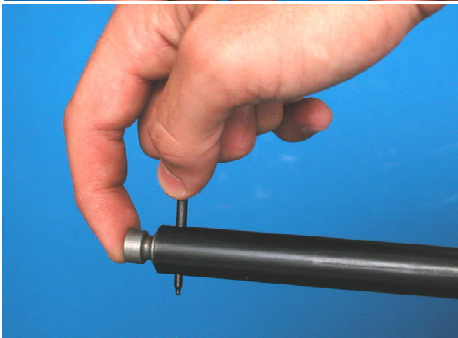
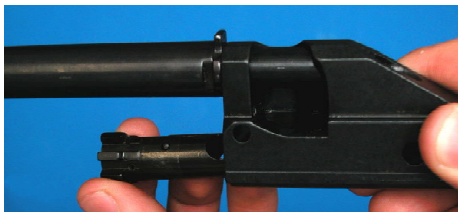
310-MAGAZINE ASSEMBLY

NOTE: It is not recommended that you disassemble the grip of the PLR-16 pistol; the hammer spring is constantly under tension and can easily injure you or others.

ASSEMBLY

Bolt carrier assembly:

To install the piston head, recoil spring tube, and recoil spring, insert the recoil spring into the recoil spring tube. Slide the recoil spring tube with recoil spring onto the piston rod. Align the holes in the recoil spring tube with the hole in the piston rod. Push the piston head



onto the recoil spring and onto the piston rod. Insert the firing pin or similar tool into the piston head hole to temporarily hold the piston head in place. While slowly pulling out the firing pin, push in the piston pin from the other side until it is flush with the piston head. Twist the recoil spring tube so that the locking tab points towards the top of the bolt carrier. Check the operation of the recoil spring by lightly pulling on the recoil spring tube to compress the spring.

To install the bolt, cam pin, firing pin, and firing pin pin, insert the bolt into the front of the bolt carrier. Twist the bolt so that the extractor is on the right side of the carrier and the cam pin hole in the bolt lines up with the cam pin slot in the bolt carrier. Insert the cam pin into the hole in the bolt, be sure that the tab on the cam pin is pointing straight out the left side of the bolt



carrier. Push the bolt assembly into the carrier as far as it will go and then insert the firing pin into the back of the bolt carrier, being sure the half moon shaped cut is facing up. If it does not go in all the way, the cam pin or the bolt may not be inserted correctly. Insert the firing pin pin into the bolt carrier from the left side. DO NOT FORCE THE FIRING PIN PIN. If it does not go in easily check that the firing pin is installed correctly. Check the operation of the bolt and firing pin to be sure that they move freely.

Pistol assembly

With the grip folded, rest the pistol on its left side. Take the bolt carrier assembly, pull the



bolt out as far as it will go and twist the recoil spring tube so that the lock tab is at the top of the bolt carrier. Insert the carrier from the rear of the receiver, be sure not to twist the bolt tube or push in the bolt as you insert it. Align the operating handle hole in the carrier with the cut-out in the receiver and insert the operating handle. Push the carrier up slightly so that the operating handle aligns with the slot for it and the recoil spring tube is parallel with the barrel of the pistol.



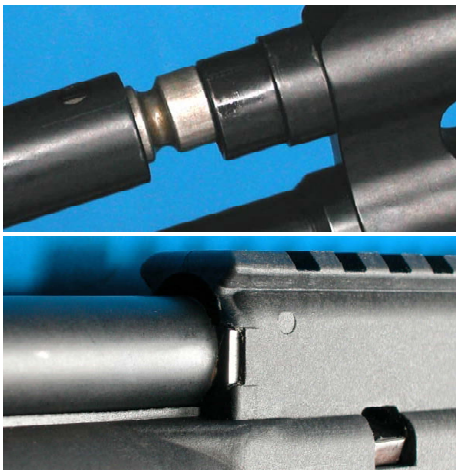
WARNING: If the recoil spring tube is not parallel with the barrel of the pistol the bolt carrier assembly is not installed correctly. Remove the carrier assembly and install it again paying close attention to the alignment of the lock tab on the recoil spring tube as you insert the carrier and also be sure that the bolt itself is always in the forward most position as you insert the carrier assembly into the receiver.

Push the operating handle all the way forward, be sure that the piston head lines up and goes into the gas head. Grip the recoil spring tube, pull it forward and twist it 1/4 turn so that the locking tab on the recoil spring tube goes into the receptacle on the left side of the receiver. Pull the operating handle back and forth to check that it moves freely, if it does not, take out the bolt carrier and check to make sure everything is installed correctly and nothing is damaged. Unfold the grip. Insert the assembly pin into the hole and press it in until it is flush with the outside of the grip.



SIGHT ADJUSTMENT

Sight Adjustment on the PLR-16 Pistol depends on the placement of the rear sight. If the sight is in the farthest forward slot on the picatinny rail, the pistol will have a different sight radius than if the sight is placed farthest rearward on the picatinny rail. The data given is for the sight in the rearmost position. Use the included Phillips screwdriver to adjust the windage with the two screws on the sides of the rear sight. Tighten the screw on the same side of the rear sight that you want to move the point of impact to. You may have to loosen the opposite side screw a little. For example: to move the point of impact left 1 inch at 100 yards you would loosen (counter-clockwise) the right screw 1/8



turn and tighten (clockwise) the left screw 1/8 turn.

For the front sight, use a small tipped tool, like a paper clip or an M-16 A2 style front sight tool (not included) to depress the detent pin and turn the sight post by hand. One click (1/4 turn) will change the point of impact 2 inches at 100 yards. Clockwise moves the point of impact up and counter-clockwise moves it down.

MAINTENANCE

Your pistol is a precision instrument and to insure reliable function, it is necessary to follow a routine maintenance procedure. After firing your pistol, be sure to unload it following the procedure outlined in the section entitled "Unloading" before any cleaning or maintenance procedure.



Routine cleaning, after every shooting session:

Your pistol should be cleaned by brushing the barrel bore and chamber with a good powder-removing solvent and bore brush. Wipe the areas clean with patches or a swab. Using a small brush dipped in solvent, remove all deposits from around the breech of the barrel, and chamber, extractor and adjacent areas which have been subjected to the action of powder or primer residue. Remove any residue on the frame with light brushing and a solvent. After cleaning the entire gun, use a cloth to apply a light coating of high quality gun oil to all external surfaces and wipe clean.

Additional cleaning, after firing 500 rounds:

Remove the bolt carrier assembly and fully disassemble it as stated in the disassembly section of this manual. Thoroughly clean with solvent and a brush the piston head, piston pin, piston rod, recoil spring, recoil spring tube, bolt, cam pin, firing pin, and bolt carrier. Do not clean



the firing pin pin, solvents can damage the O-ring used to hold it in place. Thoroughly dry all parts. Apply a light coat of oil to the firing pin, bolt, cam pin and the surfaces in the bolt carrier where the bolt, cam pin, and firing pin slide. Apply a light coat of oil on the piston rod and assemble the bolt carrier assembly and pistol as stated in the assembly part of this manual. Manually cycle the bolt back and forth to check the function of the pistol. If any parts are damaged or badly worn or the pistol does not work correctly the pistol should not be fired and should be returned to Kel-Tec for servicing immediately.

LUBRICATION WARNING:

Firing a pistol with oil, grease, or any other material even partially obstructing the bore may damage the pistol and injure the shooter and those nearby. Do *not* spray or apply lubricants directly on ammunition. If the powder charge of a cartridge is affected by the lubricant, it may not be ignited, but the energy from the primer may be sufficient to push the bullet into the bore where it may become lodged. Firing a subsequent bullet into the obstructed bore will damage the pistol and may injure the shooter and bystanders. Use lubricants properly. You are responsible for the proper care and maintenance of your firearm.

WARNING:

It is not recommended that you disassemble the grip of the PLR-16 pistol; the hammer spring is constantly under tension and can easily injure you or others. If the need arises to lubricate the trigger assembly do so through the access slot behind and in front of the hammer.

Service

Should your PLR-16 pistol require adjustment, refinishing, or repair, it should be returned unloaded to the factory. In shipping the PLR-16 pistol, be sure to adhere to the following rules:

Individuals who wish to return the firearm for service can do so by shipping via UPS prepaid. No return authorization number is required.

Include a letter of instruction, full name, address, phone number and the gun's serial number. This will insure prompt service and handling. Once your pistol has been received, anything other than warranty work, you will receive a quotation. You will be notified of full charges and no work will commence before receiving your approval of our quotation. Also see Warranty Page for further instructions. All quotations are payable by C.O.D., VISA, M.C. or money orders only. No personal checks accepted. Please return your PLR-16 pistol to:

Kel-Tec CNC, Inc. Service Dept.
1475 Cox Road
Cocoa FL 32926

WARRANTY

This warranty is granted by Kel-Tec CNC Industries, Inc. P.O. Box 236009, Cocoa, FL 32923. This lifetime warranty is effective from the date of purchase and applies to the original owner of a Kel-Tec PLR-16 pistol.

Kel-Tec firearms are warranted to be free from defects in material and workmanship. Any such defects of which Kel-Tec receives written notice by the original owner, will be remedied by Kel-Tec without charge within a reasonable time after such notification and delivery of the product as provided below.

Warranty claims (in writing) and the gun concerned should be delivered (transportation charges pre-paid) to:

Kel-Tec CNC, Inc
Service Department
1475 Cox Road
Cocoa, FL 32926.

No return authorization number is required. In addition, a copy of a bill of sale in the owner's name, or a copy of ATF Form 4473, indicating date of purchase must be included.

In order to expedite service, warranty claims should state the model and serial number of the gun concerned and a description of the difficulty experienced. It is recommended that shipments be insured by the owner, since Kel-Tec will accept no responsibility for loss or damage in transit.

Transportation and insurance charges for return to owner will be paid by Kel-Tec if the claim is covered by the warranty.

Under no circumstances shall Kel-Tec be responsible for incidental or consequential damages with respect to economic loss or injury or property damage, whether as a result of breach of express or implied warranty, negligence or otherwise. Some states do not allow the exclusion or limitation or incidental or consequential damages, so the above limitation or exclusion may not apply to you.

Kel-Tec will not be responsible for defects resulting from careless handling, unauthorized adjustments or modifications, defective or improper ammunition, corrosion, neglect, abuse, ordinary wear and tear, or unreasonable use.



PLR-16 Pistol Parts List

Part# 522 Exchange Only

Notes Page

104 BARREL EXTENSION	216 RECEIVER SPREADER
108 BARREL RETAINER	228 BOLT STOP
110 BOLT	234 MAG CATCH
112 EXTRACTOR	252 MAGAZINE HOUSING
114 EXTRACTOR AXIS	254 MAGAZINE FOLLOWER
116 EJECTOR	256 MAGAZINE PLATE
118 FIRING PIN	258 MAGAZINE BOTTOM
120 BOLT CARRIER	274 EJECTOR PIN
122 OPERATING HANDLE	276 RECEIVER SCREW
126 CAM PIN	278 RECEIVER WASHER
128 RECOIL SPRING CATCH	280 SEAR PIN
130 PISTON HEAD	282 HAMMER AXIS
134 FIRING PIN PIN	284 BARREL EXTENSION PIN
140 TRIGGER BLOCK	294 O'RING
142 HAMMER	296 PISTON PIN
144 SEAR	298 TRIGGER AXIS
145 SEAR SPRING PIN	299 GAS BLOCK PIN
146 SAFETY	355 FRONT SIGHT POST
150 STOCK SPACER-16	357 FRONT SIGHT DETENT PIN
154 SPACER-29	366 REAR OPEN SIGHT
158 ASSEMBLY PIN	367 REAR SIGHT ADJUSTER
176 MAG CATCH SPRING	384 FRONT SIGHT DETENT PIN SPRING
178 HAMMER SPRING	438 C-GAS HEAD
180 SEAR SPRING	501 BARREL
182 TRIGGER SPRING	502 COMPACT FOREND BARREL NUT
186 STOCK PIN SPRING	504 LONG THREAD PROTECTOR
190 BOLT STOP SPRING	512 PISTOL GRIP RIGHT
194 EXTRACTOR SPRING	514 PISTOL GRIP LEFT
196 EJECTOR SPRING	522 PISTOL RECEIVER
198 MAGAZINE SPRING	524 D PISTON ROD
203 DRIVER HOUSING	533 PISTOL RECOIL SPRING TUBE
204 MAGWELL	538 PISTOL GAS BLOCK FRONT SIGHT
205 PHILLIPS DRIVER	575 PISTOL RECOIL SPRING
207 RED O'RING	310-MAGAZINE ASSEMBLY
208 TRIGGER	
210 EXTRACTOR SPRING BUFFER	