

# Charles Daly®

The Shooting Sports Specialist™

SAFETY & INSTRUCTION MANUAL

## Honcho Pump

12GA / 20GA



READ THE INSTRUCTIONS & WARNING IN THIS  
MANUAL CAREFULLY BEFORE USING THIS FIREARM



## IMPORTANT

DO NOT MODIFY THIS FIREARM IN ANY WAY. DOING SO MAY CHANGE THIS FIREARM'S ATF CLASSIFICATION AND MAY RESULT IN VIOLATION OF NFA REGULATIONS. CHECK WITH YOUR LOCAL LICENSED RETAILER OR STATE POLICE FOR ANY RESTRICTIONS THAT MAY APPLY TO FIREARMS OF THIS TYPE.

### PURCHASER'S RECORD

Model # \_\_\_\_\_

Purchase Date: \_\_\_\_\_

Gauge/Caliber: \_\_\_\_\_

Serial #: \_\_\_\_\_

Purchase Price: \_\_\_\_\_

Store Name: \_\_\_\_\_

**Charles Daly®**

# TABLE OF CONTENTS

Warnings .....	4
Safety Rules .....	5-6
Identifying Marking .....	7
Description & Specs .....	7
Nomenclature .....	7
Safety Selector/Button .....	7-8
Loading .....	8
Unloading .....	9
Disassembly .....	9
Reassembly .....	10
Installation of Sling Attachment Plate .....	10
Cleaning & Maintenance .....	11
Exploded View & Parts List .....	12-13
Warranty Conditions .....	14-15



**WARNING - DO NOT DRY FIRE**

# WARNINGS

The manufacturer is not responsible for damage to objects caused by misuse of the firearm or for injuries to persons or animals, or in case of death, caused voluntarily or involuntarily by the firearm user. The manufacturer is not responsible for injuries caused by poor maintenance, misuse of the firearm, unauthorized or improper modifications.

The manufacturer declines responsibility for the indirect consequences of any injuries and/or death of persons or animals, damage to objects caused by use of the firearm or by primer explosion, by bullet's ricochet, or unsafe loading practices and/or procedure.

Read the entire manual and learn the proper use of the firearm without live ammunition. It is important that you understand the proper use of this product. The life of the people close to you may depend on your safe behavior.

If the manual is not clear, please contact the dealer where you bought the firearm or call the distributor or the manufacturer by using the contact information provided within this manual.

**The manufacturer declines any responsibility for misuse of the firearm. In case of alteration of the firearm, The manufacturer declines any civil and penal responsibility and will not refund any damage.**

**Quality Inspection:** Every firearm is thoroughly inspected by the manufacturer, for function and cosmetic blemish, prior to shipment.

Firearms produced in our U.S. facility or Turkey are scrupulously tested at the manufacturing premises.

**⚠ WARNING: Discharging firearms in poorly ventilated areas, cleaning firearms, or handling ammunition may result in exposure to lead or other substances known to the State of California to cause birth defects, reproductive harm, and other serious physical injury. Have adequate ventilation at all times. Wash hands thoroughly after exposure.**


**ANY LEGAL DISPUTE WILL BE UNDER THE JURISDICTION OF A COURT IN THE STATE OF OHIO - USA, OR IN THE COURT OF BRESCIA - ITALY, AT OUR DISCRETION**

# SAFETY RULES

1. Read the instructions carefully before use. Reading the manual and careful examination of the firearm are fundamental to avoid any kind of problem.
2. Be aware that you are handling a firearm; therefore your knowledge and behavior may affect your life and those of the people close to you.
3. Firearms and ammunitions must be kept in separate places.
4. Always keep firearm and ammunitions out of reach of children.
5. Store the firearm in a clean, dry and airy place after use to avoid rust in mechanical parts that may cause serious problems in functioning after a period of inactivity.
6. The firearm must always be stored unloaded, always check that the chamber is empty.
7. Keep away from open flames or heating sources.
8. Never leave a loaded firearm unattended.
9. Never leave the firearm loaded, it could fall and cause injury and death. Always point the firearm in a safe direction, and handle it as though it were loaded. This is especially important when loading and unloading the firearm and when handing it to someone else. Never take someone's word that it is unloaded. Always make sure the firearm is unloaded before laying it down or handing it to someone else.
10. After use, clean and lubricate the inside of the barrel with appropriate oil. Grease or oil build up can cause excessive pressure and result in serious personal injuries. Before using the firearm again, inspect the barrel and chamber to make certain that there are no obstructions in the bore. Remove any oil residue with rod and dry patch before shooting.
11. Accumulation of rust in the barrel can cause excessive pressures resulting in serious injury and may cause the explosion of the barrel. A rusted, pitted or eroded barrel should be replaced.
12. Before shooting always check to ensure that the barrel is free of obstructions.
13. Never force a jammed action, this act could cause explosion of the round and consequent injury.
14. Use factory loaded ammunition of the caliber specified on the firearm barrel. Use of different calibers may cause serious personal injuries to you and to people close to you.
15. In case of misfire, manually extract the cartridge from the chamber. If firearm fails to fire when trigger is pulled, as a result of slow primer ignition (hang fire), keep muzzle pointed downrange for a minimum of 30 seconds. If the round does not fire, remove the magazine, clear the firearm and examine the ejected, unfired cartridge. If the indent from the firing pin is off center, light or absent, take the gun to a competent gunsmith. If the indent appears normal compared to other rounds, assume a faulty round, separate from other cartridges, reload and continue shooting.
16. Do not attempt to re-use unexploded ammunitions.
17. Never modify any parts of your firearm. Any alteration may cause serious personal injury and voids the warranty.
18. Only a qualified gunsmith may service the firearm for repair or serious maintenance.
19. Pay great attention during transportation and use. Mechanical safety devices can fail. Developing intelligent, good safety habits is the best way to prevent accidents.

# SAFETY RULES

20. Never rest your finger on the trigger until the very moment you wish to shoot. Always keep the safety on until you are ready to safely shoot at an intended target. Note: Safety devices on firearms are extras and are not a substitute for your proper and safe handling practices.
21. Always keep the firearm unloaded when transporting it from home to the shooting areas. Carefully check that cartridge chamber is empty.
22. When you walk around with the firearm in a shooting area, always keep the muzzle pointed in a safe direction.
23. Never run with a loaded firearm, do not cross any obstacle (fences or water courses, etc.) or walk where there is any possibility of slipping or falling without having your firearm unloaded and in safety position.
24. When selecting a place to shoot, always be absolutely sure of your target and the area behind it before you touch the trigger, making sure there is an adequate backstop which will stop and contain bullets. A bullet can travel through or past your target with a range up to 1.5 miles. If you have any doubt, do not shoot.
25. Never shoot against a solid surface or in a pool of water, the projectiles could ricochet and shoot toward any direction. Do not shoot up into the sky.
26. Keep all bystanders behind you, standing beside a shooter is not a safe position. Make sure all other shooters and bystanders are well away from the ejection port.
27. Do not smoke while handling, loading or shooting any ammunition, especially black powder. Keep black powder in a closed container at all times, re-closing the container after each and every use.
28. Never drink alcoholic beverages or take any drugs before or during shooting, as this not only constitutes criminal disregard for your safety and that of others, but will seriously impair your judgment and vision. Never use a firearm while you are taking medication unless you have checked with your doctor to ensure you are fit to handle the firearm safely.
29. Always wear and encourage others near you to wear proper ear protection when shooting, especially on a range since the noise from your firearm and other firearms close to you, could result in permanent hearing loss.
30. Always wear protective shooting glasses to protect your eyes from injury by gun powder, gas, lubricant, dirt or metallic particles, carbon residue, sparks or other debris.
31. Wash hands thoroughly after shooting and handling firearms to remove any unwanted residues.
32. Never leave the loaded firearm or the loaded magazine in the sun.
33. By replica firearms there is no modern safety. In this case you must pay even more attention to safety rules.

 **Remember:** No mechanical safety device is infallible. The user is responsible for injuries or damages caused to him or to other persons. Complete knowledge of your firearm can make the difference.

# IDENTIFYING MARKINGS

Every firearm we produce has a serial number that is marked on the receiver/frame. Close to the serial number you will also find the manufacturers information with the model name and caliber marked either on the frame or the barrel as required by law.

**These markings must not be removed from the firearm for any reason.**

## DESCRIPTION & SPECS

The model Honcho is a pump-action firearm with a capacity of 5+1 of 2-1/2" shells and 4+1 of 3" shells. The steel barrel is 14" with cylinder bore and blade front sight. The aircraft quality aluminum receiver is grooved for mounting optics. The ergonomic goose-neck grip allows firm control of the firearm. Included with the firearm is a sling attachment plate that can be installed between the grip and receiver with the sling stud factory installed on the magazine cap.

## NOMENCLATURE



## SAFETY SELECTOR/BUTTON

The safety is designed to stop the trigger mechanism. **Do not rely on your firearms' safety, treat every firearm as if it were loaded and ready to fire.** The safety on any firearm is a mechanical device, and it is not intended as a substitute for common sense or safe firearms handling. Always keep the muzzle pointed in a safe direction.

- A. The safety is located behind the trigger, and provides protection against accidental or unintentional discharge under normal usage when properly used.

- B. To engage the safety, push the button so that it protrudes from the right side of the gun and **RED BAND MARKING CAN NOT BE SEEN**. The safety should always be in the “on” or “safe” position until you intend to fire the gun. (Fig. 1)
- C. When you are ready to fire the gun, press the safety button to the “off” position so that the safety protrudes from the left side of the gun and the **RED BAND MARKING IS SHOWING**.



**⚠ DANGER:** The gun will fire when the trigger is pulled intentionally or accidentally when the **RED BAND MARKING IS SHOWING**.

## LOADING

**Be sure the safety is in the “on” or “safe” position and the barrel is pointed in a safe direction.**

1. Push in the carrier and visually check for no cartridges in the magazine tube (Fig. 2).
2. Press the action release latch (Fig. 3), pull forend back and visually inspect chamber for no cartridge then return forward (Fig. 4).
3. Begin loading the shotgun from the bottom by pushing cartridge through the carrier and into magazine tube until it is retained by the magazine release button/shell stop (Fig. 5). Repeat loading cartridges until desired amount is reached (5 Max. of 2-3/4” Cartridges).
4. Press the action release latch, pull forend completely back and return to forward position, this will feed a cartridge into the chamber. An additional round can now be loaded into the bottom of receiver if desired otherwise your firearm is ready to be fired when the trigger is pulled with the safety in the “off” or “fire” position.



**⚠ WARNING:** Ensure that your hand is firmly gripping the forend. Failure to firmly grip the forend can result in loss of grip and may result in personal injury.



# UNLOADING

Be sure the safety is in the "on" or "safe" position and the barrel is pointed in a safe direction.

1. Press action release latch, pull forend back until unused cartridge ejects from the ejection port then return forend to forward position. Repeat this until all cartridges have been ejected (Fig. 6).
2. Visually and physically inspect that all cartridges have been cleared from the chamber and magazine tube (Fig. 6 & 7).



# DISASSEMBLY

Be sure the safety is in the "on" or "safe" position and the barrel is pointed in a safe direction.

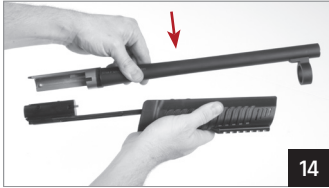
**⚠ CAUTION:** Make sure the gun is unloaded.

1. Hold the forend while unscrewing the magazine cap (Fig. 8).
2. Firmly hold the forend and barrel and slowly remove them from the receiver (Fig. 9). The action bar and bolt will also come out with the barrel and forend.
3. To remove the trigger group use a small punch and hammer to punch the small retaining pins from the receiver (Fig. 10) and remove trigger group assembly (Fig. 11).
4. Further disassembly is not recommended and not necessary for regular maintenance.



## REASSEMBLY

1. Insert trigger group from the back of the receiver and install two receiver pins (Fig. 12). A hammer may be necessary to fully seat the pins (Fig. 13). Please use caution not to damage your shotgun.
2. Reassemble the action bar and bolt to the forend and place barrel into position (Fig. 14).
3. Install the barrel and forend into the receiver until fully seated (Fig. 15).
4. Pull the barrel and forend down and replace the magazine cap onto the magazine tube and hand tighten (Fig. 16).



## INSTALLATION OF SLING PLATE ATTACHMENT

1. Unscrew the grip cap screw and then the hex bolt from the receiver and remove the grip.
2. Place the ambidextrous sling plate attachment onto the back of the receiver. It can be positioned for either left or right handed operators. For right handed shooters place d-ring on the left side of receiver. For left handed shooters place d-ring on the right side of the receiver.

# CLEANING & MAINTENANCE

**⚠ CAUTION: Make sure the firearm is unloaded.**

1. Make sure the broad, polished finely fitting mating surface of a the breech block and receiver is especially clean and lightly oiled with high quality gun oil. Do not use silicone, lanolin or WD-40.
2. Run an oil patch through the bore with a cleaning rod starting from the breech end. To prevent leading, use a cleaning solvent and brass brush to clean the bore periodically. Follow this cleaning with one or two clean oil patches. **Important:** If your gun is equipped with choke tubes, do not use a brass brush to clean the barrels without having a choke tube installed. Barrels that utilize choke tubes must also have the choke tubes removed to clean and oil the threads inside the barrel and the choke tubes themselves. This will protect the threads and prevent dirt build up that can cause tubes to become difficult to remove.

Never fire your gun without choke tubes completely tighten in barrels. Do not over tighten choke tubes. Wipe all exposed metal surfaces with an oiled cloth before storing. Do not squirt or pour oil into the mechanism because it may hamper proper functioning and will soak into the wood. After extended periods of heavy use, your gun should be taken to a qualified gunsmith to have the action disassembled for professional cleaning and lubrication.

3. Care for your wood stock and forearm the same way you would a piece of furniture with the same finish.

## STORAGE

Clean thoroughly and oil your firearm before storage. Store the firearm in a case to prevent scratches and dents. Store your firearm in a dry place to prevent corrosion. **Store the firearm away from children and in a place where it cannot be obtained by those unauthorized to use it. Always store firearm unloaded and separately from and ammunition.**

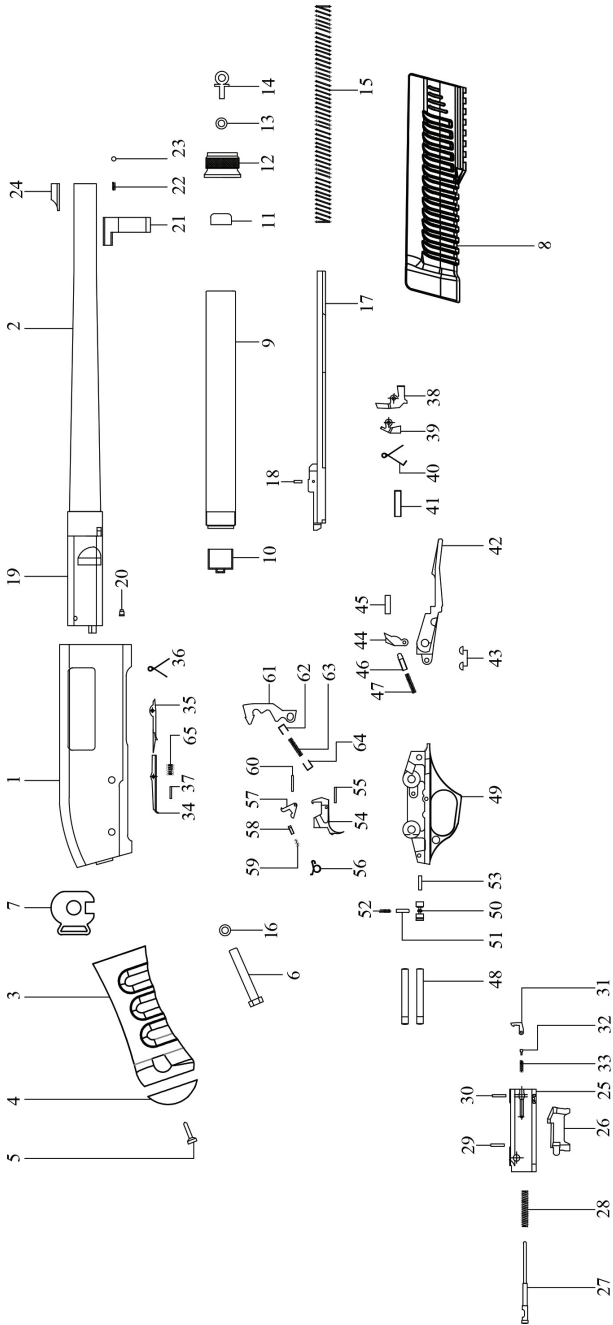
## HAZARDOUS MATERIAL WARNING

Discharging firearms in poorly ventilated areas, cleaning firearms, or handling ammunition, may result in exposure to lead and other substances known to cause birth defects, reproductive harm, and other serious injury. Have adequate ventilation at all times. Wash hands thoroughly after exposure.

## THANK YOU

Thank you for purchasing your firearm from us. We are certain it will bring you years of hunting and/or shooting pleasure. Your satisfaction is the key to our success. Please let us know if we can be of service and relay and observations about your firearms' performance or appearance.

# EXPLODED VIEW



# PARTS LIST

Part #	Description	Part #	Description
1a	Receiver - 12GA	30a	Extractor Pin - 12GA
1b	Receiver - 20GA	30b	Extractor Pin - 20GA
2a	Barrel - 12GA	31	Extractor
2b	Barrel - 20GA	32	Extractor Plunger
3a	Pistol Grip Stock - 12GA	33	Extractor Spring
3b	Pistol Grip Stock - 20GA	34	Carrier Latch
4a	Pistol Grip Cap - 12GA	35	Cartridge Holder
4b	Pistol Grip Cap - 20GA	36	Cartridge Holder Spring
5	Pistol Grip Screw	37	Pin (2)
6	Pistol Grip Bolt	38	Action Release Latch
7a	Sling Plate - 12GA	39	Action Release Latch Lock
7b	Sling Plate - 20GA	40	Action Release Latch Spring
8a	Forend - 12GA	41	Carrier Pin
8b	Forend - 20GA	42a	Cartridge Carrier - 12GA
9a	Magazine Tube - 12GA	42b	Cartridge Carrier - 20GA
9b	Magazine Tube - 20GA	43a	Receiver Pin Holder - 12GA
10a	Magazine Follower - 12GA	43b	Receiver Pin Holder - 20GA
10b	Magazine Follower - 20GA	44a	Cartridge Lifter - 12GA
11a	Magazine Spring Retainer - 12GA	44b	Cartridge Lifter - 20GA
11b	Magazine Spring Retainer - 20GA	45a	Cartridge Lifter Pin - 12GA
12a	Magazine Cap - 12GA	45b	Cartridge Lifter Pin - 20GA
12b	Magazine Cap - 20GA	46	Cartridge Lifter Plug
13	Swivel Nut	47	Cartridge Lifter Spring
14	Swivel Screw	48a	Receiver Pin (2) - 12GA
15a	Magazine Spring - 12GA	48b	Receiver Pin (2) - 20GA
15b	Magazine Spring - 20GA	49	Trigger Housing
16	Pistol Grip Bolt Washer	50	Safety
17a	Action Bar - 12GA	51	Safety Spring Cap
17b	Action Bar - 20GA	52	Safety Spring
18	Action Bar Pin	53	Safety Spring Pin
19a	Barrel Lug - 12GA	54a	Trigger - 12GA
19b	Barrel Lug - 20GA	54b	Trigger - 20GA
20	Ejector Pin	55a	Trigger Pin - 12GA
21a	Pump Ring - 12GA	55b	Trigger Pin - 20GA
21b	Pump Ring - 20GA	56a	Trigger Spring - 12GA
22	Pump Ring Spring	56b	Trigger Spring - 20GA
23	Pump Ring Ball	57a	Trigger Sear - 12GA
24a	Front Sight - 12GA	57b	Trigger Sear - 20GA
24b	Front Sight - 20GA	58	Trigger Sear Spring Cap
25a	Breech Bolt - 12GA	59	Trigger Sear Spring
25b	Breech Bolt - 20GA	60	Trigger Sear Pin
26a	Locking Block - 12GA	61a	Hammer - 12GA
26b	Locking Block - 20GA	61b	Hammer - 20GA
27a	Firing Pin - 12GA	62	Hammer Cap
27b	Firing Pin - 20GA	63	Hammer Spring
28	Firing Pin Spring	64	Hammer Spring Cap
29a	Firing Pin Holder - 12GA	65	Carrier Latch Spring
29b	Firing Pin Holder - 20GA		

# WARRANTY CONDITIONS

This warranty only applies to Charles Daly products imported by Chiappa Firearms USA, Ltd. and purchased in the USA.

The manufacturer guarantees that our products are scrupulously checked against defects in materials, workmanship, aesthetics and functioning problems.

In case you find a defect in one of our products, you should immediately contact Chiappa Firearms USA, Ltd. All warranty work will be performed by Chiappa Firearms USA, Ltd.

**⚠ ATTENTION:** All customers returning product for warranty service must first obtain an RMA (Return Merchandise Authorization) from Chiappa Firearms USA, Ltd. The request for an RMA (Return Merchandise Authorization) may be obtained through our web site, email or phone. Information required is name and address, model, serial number, and defect. It is the customer's responsibility for adequately packaging the product to prevent shipping damage. Any damages occurred during transportation and handling will be the customer's responsibility.

The Charles Daly 5-year warranty guarantees for two years after the original purchase date of the original owner, free parts and labor for defects which have been found during use; wear of parts which shouldn't be subject to wear, or excessive wear of parts subject to wear and further supply free parts for an additional 3 years except for wood. Wood is covered for 1 year. The customer must provide evidence they are the original owner and proof of the purchase date with a receipt or other valid proof.

In the event a defect which is covered by this guarantee is not repairable, the manufacturer will provide for a free substitution of the product.

**THE MANUFACTURER RESERVES THE RIGHT OF DEFINING THE TYPE OF DEFECT OF THE FIREARM AND THEREFORE TO STATE WHETHER THE DEFECT IS COVERED BY GUARANTEE.**

The manufacturer's decision will be fair but final. Should the manufacturer become aware of a defect of a product during the guarantee period, the defective part will be replaced free of charge.

The guarantee does not cover parts subject to wear and corrosion. For assistance in obtaining an RMA (Return Merchandise Authorization), please contact Chiappa Firearms USA, Ltd. at (937) 835-5000 or email at [service@chiappafirearms.com](mailto:service@chiappafirearms.com).

**⚠ ATTENTION: DELIVERY EXPENSES TO AND FROM THE SERVICE CENTER ARE NOT COVERED BY THE GUARANTEE AND WILL BE CHARGED TO THE CUSTOMER.**

# WARRANTY CONDITIONS

## The Guarantee Is Void In Case:

- Inadequate ammunition has been used (any ammunition but those commonly on sale, reloaded ammunition, different from caliber and specification indicated on the firearm barrel)
- The product failed to be provided proper maintenance and cleaning
- The product has been modified without our prior consent
- Unauthorized, inadequate or incorrect repairs have been carried out
- Non-original spare parts were used
- Parts subject to wear and corrosion
- Damage (improper use of the gun by the user)
- Expired guarantee

In the above cases the repair, if completed, will be charged to the customer.

In case, for any valid reason, you do not have the possibility to obtain repair under guarantee at the shop where you bought the product, you may contact us directly for warranty service or questions:

Chiappa Firearms USA, Ltd.  
1415 Stanley Ave, Dayton, OH 45429  
Tel: (937) 835-5000  
Email: [info@chiappafirearms.com](mailto:info@chiappafirearms.com).

**THIS MANUAL MUST ALWAYS FOLLOW THE PRODUCT,  
ALSO IN THE EVENT OF NEW OWNERSHIP.**

## Warranty Procedures:

First, register your product on our website: <http://www.charlesdaly.com>. Then use one of the following methods to submit a Repair Request:

- **Website:** Fill out the Repair Request form on our website.
- **Email:** [service@chiappafirearms.com](mailto:service@chiappafirearms.com) with subject as "Repair Request" and include: Name, Address, Email, Phone, Serial #, Model, Description of Problem.
- **Phone:** Call 937-835-5000

Chiappa Firearms USA, Ltd. will issue an RMA (Return Merchandise Authorization) with return instructions using the email provided in Repair Request.

# RETURN MERCHANDISE FORM

To return your firearm for any reason, please call Customer Service at (937) 835-5000 for an RMA (Return of Merchandise Authorization).

## CUSTOMER INFORMATION

Name: \_\_\_\_\_ RMA# \_\_\_\_\_

Address: \_\_\_\_\_

City: \_\_\_\_\_ State: \_\_\_\_\_ Zip: \_\_\_\_\_

Phone: \_\_\_\_\_ Best Time to Call: \_\_\_\_\_

Email: \_\_\_\_\_

## PRODUCT INFORMATION

Model: \_\_\_\_\_

Serial #: \_\_\_\_\_

## GUN SHOP/ DEALER

Purchase Date: \_\_\_\_\_

Dealer Name: \_\_\_\_\_

Dealer Address: \_\_\_\_\_

## DESCRIPTION OF DEFECT

\_\_\_\_\_

\_\_\_\_\_

\_\_\_\_\_

\_\_\_\_\_

 **Remember:** Attach Proof of Purchase w/ Date









# Charles Daly®

The Shooting Sports Specialist™

---

CHARLESDALY.COM

**CHIAPPA®**  
f i r e a r m s

Exclusively Distributed by Chiappa Firearms USA, Ltd.

1415 Stanley Ave | Dayton, OH 45404 | Tel: 937-835-5000 | Email: info@chiappafirearms.com