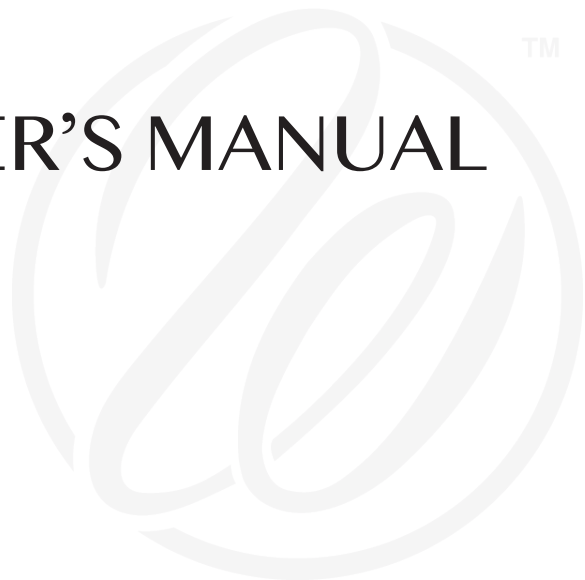




18iTM

**SEMI-AUTOMATIC
SHOTGUN**

OWNER'S MANUAL



INTRODUCTION

Thank you for buying a Weatherby® firearm and welcome to the family. We realize that you had many products to choose from and hope you feel as we do that you purchased the finest quality production firearm on the market today.

When my late grandfather started this company in 1945, it was as a means to turn his revolutionary vision of rifle design and cartridge performance into practical realities.

At the time, I'm sure he had little idea that Weatherby® would come to be one of the most respected and revered brands in the firearms industry. We appreciate this level of respect and you have our assurance it will not be taken for granted.

This Owner's Manual is designed to assist you in learning how to safely use and care for your Weatherby® 18i Semi-automatic shotgun. Please read the entire contents thoroughly and carefully follow all instructions and safety warnings.

In closing, let me assure you that we are committed to the hunter, shooter and sportsman; and delivering the uncompromising craftsmanship, performance and value that you require in all that we do.

Good Shooting!

A handwritten signature in black ink, appearing to read "Adam Weatherby". The signature is fluid and cursive, with a long horizontal stroke extending to the right.

- SAFETY -

FIRST AND FOREMOST

FIREARMS ARE DANGEROUS WEAPONS, WHICH CAN CAUSE SERIOUS INJURY OR DEATH. WHEN USING ANY FIREARM, SAFETY MUST BE YOUR FIRST AND CONSTANT CONCERN.

FAILURE TO FOLLOW ANY OF THE WARNINGS AND INSTRUCTIONS IN THIS OWNER'S MANUAL COULD RESULT IN SERIOUS INJURY OR DEATH.

READ AND UNDERSTAND THE FOLLOWING SAFETY RULES

KNOW YOUR FIREARM. Before assembling or using your Weatherby® 18i Semi-Automatic Shotgun, be sure to read and understand all instructions and safety warnings contained in this Owner's Manual in order to learn how to use the firearm safely and correctly.

ALWAYS TREAT YOUR FIREARM AS IF IT WERE LOADED. Use the manual safety lever as outlined in this manual. Never move the safety to the "FIRE" position until YOU are ready to fire.

ALWAYS KEEP THE MUZZLE POINTED IN A SAFE DIRECTION. The safe direction may be "up" on some occasions, and "down" on others. Never point the muzzle toward anything not intended as a target.

USE ONLY THE CORRECT AMMUNITION FOR YOUR FIREARM. Be sure to use only the correct ammunition for your Weatherby® 18i Semi-automatic shotgun as stamped on the side of the barrel.

ALWAYS UNLOAD YOUR FIREARM WHEN NOT SHOOTING. Never transport or store a loaded firearm in a vehicle or building. Unload your firearm before climbing a tree, fence or other obstruction, or when entering a slippery area.

MAINTAIN YOUR FIREARM. Keep the barrel clean and free of obstructions. Clean your firearm regularly and have it inspected periodically to make sure it is mechanically correct and functioning properly. Worn or damaged parts can be dangerous.

DO NOT MAKE UNAUTHORIZED ADJUSTMENTS. Never make alterations to your firearm. Use only Weatherby® parts. Do not make any changes to the shape or size of the sear or other parts. Repair should be performed by a Weatherby® Authorized Service Center.

STORE YOUR FIREARM AND AMMUNITION SEPARATELY, WELL BEYOND THE REACH OF CHILDREN. Always take appropriate measures to ensure your firearm is not accessible to children or others who are untrained or inexperienced in its safe handling.

MAKE YOURSELF SAFE. Always wear shooting glasses and use ear protection when shooting or attending shooting events. Never drink alcoholic beverages before or during shooting.

REMEMBER - FIREARMS SAFETY DEPENDS ON YOU!!

INDEX

• Introduction	Page 2
• Safety - First and Foremost	Page 3
• Index	Page 4-5
• General Overview	Page 6
• Initial Assembly Instructions	Page 7
· Barrel to Receiver Mounting	Page 7
· Forend Mounting	Page 7
· Manual Trigger Safety	Page 8
· Ammunition	Page 9
• Operating Instructions	Page 10
· Opening the Bolt	Page 10
· Checking for and Clearing Bore Obstructions	Page 10
· To Check the Barrel for Obstructions	Page 11
· Clearing a Bore Obstruction	Page 11
· Closing the Bolt	Page 11
· Loading the Shotgun	Page 12
· To Feed a Shell from the Magazine into the Chamber	Page 13
· To Single-load the Chamber without Shells in the Magazine	Page 13
· To Single-load the Chamber with Shells in the Magazine	Page 13
· Firing the Shotgun	Page 14
· Unloading the Shotgun	Page 14
• Multi-Choke™ Tubes	Page 15
· Removing Choke Tubes	Page 16
· Installing Choke Tubes	Page 17
· Tightening Choke Tubes	Page 17
Choke Value Chart	Page 18
• Adjustment and Options	Page 19
· Changing the Drop	Page 19
· Installation of Length of Pull Spacers and Drop and Cast Shims	Page 19
· Installing Length of Pull Spacers	Page 19
· Installing Drop and Cast Shims	Page 19
· Magazine Limiter Plug Removal	Page 21
• Cleaning and Maintaining Your Weatherby® Semi-Auto Shotgun	Page 22
· Cleaning the Bore	Page 23
· Cleaning the Outside of the Barrel	Page 23
· Cleaning Choke Tubes	Page 23
· Cleaning the Action	Page 24
· Cleaning the Action	Page 24

INDEX

· Cleaning the Magazine	Page 24
· Cleaning the Forend and Buttstock	Page 24
· Rust Prevention and Removal	Page 24
• Disassembly Instructions	Page 25
· Removing the Forend	Page 25
· Removing the Barrel	Page 25
· Trigger Group Removal	Page 25
· Removing the Bolt Assembly	Page 26
• Assembly of Weatherby® Semi-Auto Shotgun	Page 26
· Trigger Group Installation	Page 26
· Installing the Bolt Assembly	Page 26
· Installing the Barrel and Forend	Page 26
• Suggestions for Getting Top Performance from Your Weatherby® Semi-Auto Shotgun	Page 27
• Storing Your Shotgun	Page 27
• Exploded View Diagram 12 Ga. 3.5" (general assembly)	Page 28
· Parts Listing	Page 29
• Exploded View Diagram 12 Ga. 3.5" (bolt assembly)	Page 30
· Parts Listing	Page 31
• Exploded View Diagram 12 Ga. 3.5" (trigger assembly)	Page 32
· Parts Listing	Page 33
• Exploded View Diagram 12 Ga. 3" (general assembly)	Page 34
· Parts Listing	Page 35
• Exploded View Diagram 12 Ga. 3" (bolt assembly)	Page 36
· Parts Listing	Page 37
• Exploded View Diagram 12 Ga. 3" (trigger assembly)	Page 38
· Parts Listing	Page 39
• Exploded View Diagram 20 Ga. 3" (general assembly)	Page 40
· Parts Listing	Page 41
• Exploded View Diagram 20 Ga. 3" (bolt assembly)	Page 42
· Parts Listing	Page 43
• Exploded View Diagram 20 Ga. 3" (trigger assembly)	Page 44
· Parts Listing	Page 45
• Weatherby® Service Policy	Page 46
• Ten Commandments of Firearms Safety	Page 46
• Exercise Extreme Caution	Page 47

WEATHERBY® 18i™ SEMI-AUTOMATIC SHOTGUN

Read this manual carefully before assembling or handling your Weatherby® 18i™ shotgun. It provides important information for assembling, using and caring for your shotgun. Keep this manual and consult it as needed. If you sell or transfer your shotgun, make sure this manual stays with it.

If you have any questions or concerns about the assembly or operation of your shotgun, ask your dealer or a qualified gunsmith.

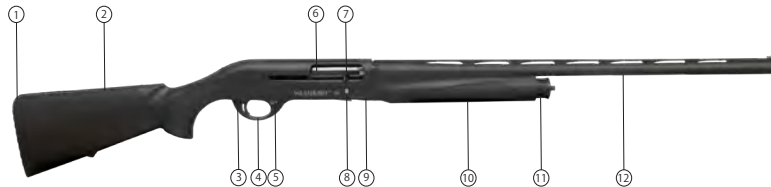
Before handling any firearm, get instruction from a competent firearms instructor.

GENERAL OVERVIEW

The following illustration identifies the basic parts of your Weatherby® 18i™ shotgun.

THIS MANUAL APPLIES TO ALL 18i™ MODELS AND ACTION SIZES:

1. 20 ga. 3"
2. 12 ga. 2-3/4" & 3"
3. 12 ga. 3.5"



- | | | |
|--------------------------|--------------------------|----------------------|
| 1) Recoil Pad | 8) Bolt Release | 15) Barrel Extension |
| 2) Butt Stock | 9) Magazine Tube | |
| 3) Manual Trigger Safety | 10) Forend | |
| 4) Trigger Group | 11) Magazine Cap | |
| 5) Shell Release Button | 12) Barrel | |
| 6) Bolt | 13) Choke Tube | |
| 7) Bolt Handle | 14) Choke Tube (Maxi 90) | |



INITIAL ASSEMBLY INSTRUCTIONS

Before starting check that the chamber and magazine are unloaded and without obstruction.

INSTALLING THE BARREL TO THE RECEIVER

1) Inspect barrel to make sure there are no bore obstructions, and that it is free of excess lubricant.

NOTE: NEVER RELEASE THE BOLT WITHOUT THE BARREL FITTED TO THE RECEIVER.

2) Remove the magazine cap (Ref. to Fig. 1) by turning it counter clockwise.

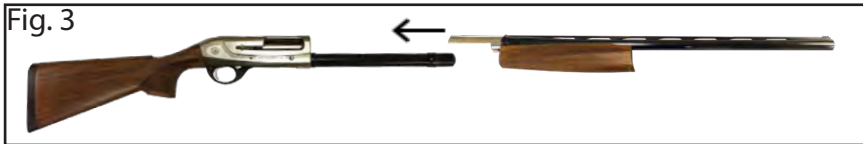
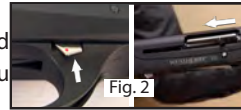
3) Slide the forend off the magazine tube.

4) Open the bolt by pressing the Shell Release Button and sliding the bolt back (Refer to Fig. 2)

5) 12 Ga: Mount the forearm by sliding the barrel ring forward onto the barrel tube and seating it against the retaining ring. You will hear a click when it is fully seated. (Ref. to Fig.)

20 Ga: Mount the forearm by carefully the barrel ring rearward over the magazine tube and seating the forend against the retaining ring. (Ref. to Fig. 2)

6) Insert the barrel into the receiver by sliding the barrel into the action until the barrel is fully seated against the receiver.



7) Screw the magazine cap (Ref. to Fig. 2) onto the threaded front of the magazine tube until it is finger-tight, making sure that the barrel is firmly seated against the receiver.

8) Keeping your fingers away from the trigger and out of the receiver loading port, close the bolt by pressing the bolt release button.



NOTE: After each few firings of the shotgun, check to make sure the barrel is still firmly seated against the receiver, and that the magazine cap is still tight.

MANUAL TRIGGER SAFETY

WARNING

•NEVER DEPEND ON ANY MECHANICAL SAFETY MECHANISM OR DEVICE TO PREVENT THE DANGERS OF CARELESS HANDLING OR POINTING A FIREARM IN AN UNSAFE DIRECTION. UNSAFE HANDLING CAN RESULT IN SERIOUS INJURY OR DEATH.

•WHEN MANIPULATING THE MANUAL SAFETY, KEEP ALL FINGERS OUTSIDE THE TRIGGER GUARD. THE SHOTGUN WILL FIRE IF THE TRIGGER IS PULLED WHEN THE SAFETY IS NOT IN THE "SAFE" POSITION.

•THE SAFETY SHOULD ALWAYS BE IN THE "SAFE" POSITION EXCEPT WHEN THE SHOTGUN IS INTENDED TO BE FIRED. NEVER PULL THE TRIGGER WHEN THE SAFETY IS IN THE "SAFE" POSITION.

MANUAL TRIGGER SAFETY LOCATION

The manual safety on your Weatherby® 18i™ shotgun is a button-type manual trigger safety located at the top rear of the trigger guard. When in proper condition and correctly engaged in the "SAFE" position, the manual safety blocks the trigger to avoid accidental discharge under normal conditions and usage.

MANUAL TRIGGER SAFETY OPERATION

To place the manual trigger safety in the "ON" or "SAFE" position, press the manual trigger safety button from the left side of the trigger guard until it protrudes on the right side of the trigger guard. (Ref. to Fig. 6)

To place the manual trigger safety in the "OFF" or "READY TO FIRE" position, press the manual trigger safety button from the right side of the trigger guard until it protrudes on the left side of the trigger guard (Ref. to Fig. 7) When the manual trigger safety is in the "OFF" or "READY TO FIRE" position, a red band will be visible around the safety button on the left side of the trigger guard. (Ref. to Fig. 7)



AMMUNITION

Your Weatherby® 18i™ is designed to accept specific shell sizes as marked on the barrel. Refer to the barrel of your Weatherby® 18i™ to determine acceptable shell sizes.

A 3" action is capable of accepting 2-3/4" and 3" shells.

A 3.5" Super Magnum action is capable of accepting up to 3.5" shells.

All Weatherby® 18i™ shotguns are designed to be used with maximum shot loads not to exceed 2 oz.

WARNING

•THE ACCIDENTAL OR INTENTIONAL USE OF INCORRECT OR OVERLOADED AMMUNITION CAN RESULT IN DEATH OR SERIOUS INJURY AND DAMAGE TO YOUR FIREARM DUE TO EXCESSIVE PRESSURE. EVEN THE STRONGEST FIREARM CAN BE "BLOWN UP" BY EXCESSIVE PRESSURE. USE ONLY FACTORY-LOADED AMMUNITION OF THE CORRECT GAUGE AND LENGTH FOR YOUR SHOTGUN AS MARKED ON THE SHOTGUN'S BARREL.

•CARRY ONLY THE AMMUNITION OF THE PROPER GAUGE, LENGTH AND TYPE FOR YOUR SHOTGUN WITH YOU WHEN SHOOTING. A 20 GA. SHELL WILL ENTER A 12 GA. CHAMBER FAR ENOUGH TO LEAVE ROOM FOR A 12 GA. SHELL BEHIND IT. SIGNIFICANT DAMAGE TO THE GUN AND POSSIBLE INJURY TO THE SHOOTER WILL RESULT IF THE GUN IS FIRED. ALSO, A 3 1/2" SHELL WILL CHAMBER INTO A 3" CHAMBER, BUT THE CRIMP WILL UNFOLD INTO THE FORCING CONE, CAUSING POSSIBLE UNSAFE PRESSURES.

Exercise care to assure that you are using only the correct ammunition for your shotgun. Always make certain that the gauge indicated on the factory loaded shot shell headstamp matches the gauge marked on the barrel of your shotgun. Never store shells of mixed gauges, lengths or types in a common container or in your pockets. Examine every shell you put into your shotgun. Always wear shooting glasses and hearing protectors when shooting.

NOTICE

WEATHERBY, INC. SPECIFICALLY DISCLAIMS RESPONSIBILITY FOR ANY INJURY OR DAMAGE WHATSOEVER OCCURRING IN CONNECTION WITH, OR AS A RESULT OF, THE USE OF FAULTY, OR NON-STANDARD, OR "REMANUFACTURED" OR HAND-LOADED OR RELOADED AMMUNITION, OR OF AMMUNITION OTHER THAN FOR WHICH THE FIREARM WAS ORIGINALLY CHAMBERED.

WARNING

DISCHARGING FIREARMS IN POORLY VENTILATED AREAS, CLEANING FIREARMS, OR HANDLING AMMUNITION MAY RESULT IN EXPOSURE TO LEAD OR OTHER SUBSTANCES KNOWN TO CAUSE BIRTH DEFECTS, REPRODUCTIVE HARM AND OTHER SERIOUS PHYSICAL INJURY. HAVE ADEQUATE VENTILATION AT ALL TIMES. WASH HANDS THOROUGHLY AFTER EXPOSURE.

OPERATING INSTRUCTIONS

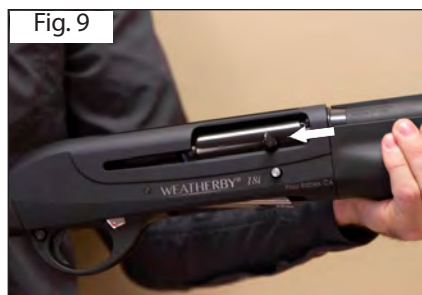
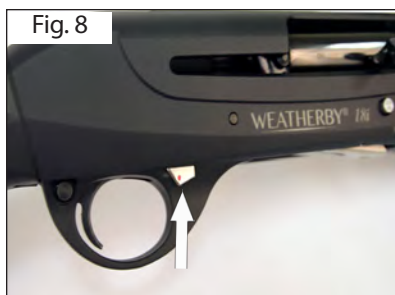
OPENING THE BOLT

Keeping the muzzle of the shotgun pointed in a safe direction and your fingers out of the trigger guard and away from the trigger.

1. Move the manual safety button to the "SAFE" position. (Ref. to Manual Trigger Safety Operation, page 8)
2. Make sure that the firearm is unloaded.
3. Lock the carrier by pushing the shell release button. (Ref. to Fig. 8)

Note: *The bolt only locks open when the carrier is locked and no ammunition is in the magazine.*

4. While resting the butt pad against your thigh, grasp the shotgun forend firmly with one hand.
5. With the other hand grasp the bolt handle and pull the bolt rearward until the bolt locks into the open position. (Ref. to fig. 9)



CHECKING FOR AND CLEARING BORE OBSTRUCTIONS

The barrel of your shotgun should always be checked for obstructions before assembly, before loading, and **immediately** following any occurrence in the field which might result in mud, dirt, or other debris entering the bore.

⚠ WARNING

NEVER ATTEMPT TO CHECK FOR OR CLEAR A BORE OBSTRUCTION BY LOADING AND DISCHARGING A SHOT SHELL! IF A BORE OBSTRUCTION IS PRESENT, THIS CAN CAUSE EXCESSIVE PRESSURES WHICH MAY RESULT IN SERIOUS INJURY OR DEATH, AS WELL AS DAMAGE TO YOUR SHOTGUN.

CHECKING FOR BORE OBSTRUCTIONS

Keeping the muzzle of the shotgun pointed in a safe direction and your fingers out of the trigger guard and away from the trigger:

1. Move the manual safety button to the "SAFE" position. (Ref. to Manual Trigger Safety Operation, Pg. 8)
2. Make sure that the firearm is unloaded. (Ref. to Unloading the Shotgun, page 14)
3. Disassemble barrel from receiver. (refer to Removing the Barrel, page 25)
4. Visually check the bore for obstructions by looking through the barrel from the breech end through the muzzle.

CLEARING A BORE OBSTRUCTION

Follow all instructions for Checking For Bore Obstructions above.

1. Push a shotgun bore cleaning tool through the bore from the breech end until the end of tool exits the muzzle.
2. If the obstruction cannot be easily cleared, contact the Weatherby® Service Department or your local gunsmith.

CLOSING THE BOLT

Keeping the muzzle of the shotgun pointed in a safe direction and your fingers out of the trigger guard and away from the trigger:

CAUTION

**To avoid injury, keep hands and fingers away from the loading port when releasing the bolt from the locked open position.
Do not depress the bolt release button without a barrel installed; this will cause damage to the receiver.**

1. Move the manual safety button to the "SAFE" position. (Ref. to Manual Trigger Safety Operation, page 8)
2. Hold the shotgun with one hand grasping the forend firmly.
3. With the other hand press the bolt release button to permit the bolt to move forward.
4. Visually check the manual safety button to make certain it is in the "SAFE" position. (Ref. to Manual Trigger Safety Operation, Page 8)

CAUTION

If a shot shell is in the receiver loading port when the bolt release button is depressed and the manual safety is not in the "SAFE" position, the shotgun is now ready to fire. Do not touch the trigger until you are ready to fire.

NOTICE

This semi-automatic Shotgun has an inertia operating system which requires a minimum kinetic energy to operate correctly. We suggest you check the technical data tables of ammunition manufacturers to assure you have ammunition that will perform correctly in this shotgun. Required energy by action size/gauge is:

GAUGE / ACTION SIZE	JOULES	FOOT-POUNDS
12 GA / 3"	2255	1663
12 GA / 3.5"	2353	1735
20 GA / 3"	1865	1375

LOADING THE SHOTGUN

Familiarize yourself with the warnings and information regarding Ammunition beginning on page 12 and examine all shot shells to confirm that they are the proper gauge and length for your shotgun.

Keeping the muzzle of the shotgun pointed in a safe direction, and your fingers out of the trigger guard and away from the trigger:

- 1) Visually check the manual safety button to make sure it is in the "SAFE" position. (Refer to Manual Trigger Safety Operation, Page 8)
- 2) Load the first two shot shells by sliding them into the magazine tube, depressing the shell carrier. (Ref. to fig. 10)
- 3) Chamber a shell by pressing the carrier release button (Ref. to fig. 12) and pulling the bolt lever fully to the rear and releasing it. (Ref. to fig. 11)



CAUTION

- **USE ONLY SHOT SHELLS OF THE PROPER GAUGE AND LENGTH AS MARKED ON THE BARREL OF THE SHOTGUN**
- **NEVER SHOOT SLUGS WITH ANY CHOKE TUBE EXCEPT THE CYLINDER CHOKE TUBE WHICH IS MARKED WITH FIVE CUTS (REFER TO MULTI-CHOKE TUBES, PAGE 15).**
- **NEVER USE SHELLS WITH A LENGTH LONGER THAN THE CHAMBER (REFER TO BARREL FOR APPROVED SHELL SIZES) AS THIS WOULD HAVE SERIOUS CONSEQUENCES FOR BOTH THE GUN AND THE SHOOTER.**
- **NEVER SHOOT STEEL SHOT USING FULL OR IMPROVED MODIFIED CHOKES. USE ONLY MODIFIED, IMPROVED CYLINDER OR CYLINDER CHOKE TUBES MARKED WITH THREE, FOUR AND FIVE CUTS RESPECTIVELY (REFER TO MULTI-CHOKE TUBES, PAGE 15).**

- 4) Load another shell into the magazine tube by pressing the carrier release button (Ref. to fig. 10) and sliding a shell into the magazine tube, depressing the shell carrier.

The gun is now loaded with a shell in the barrel ready to fire and two shells in the magazine.

Note: *The magazine tube holds two shells when the magazine plug is installed. The magazine tube holds three 2 3/4" shells or three 3" shells when the plug has been removed.*

TO FEED A SHELL FROM THE MAGAZINE INTO THE CHAMBER

Keeping the muzzle of the shotgun pointed in a safe direction, and your fingers out of the trigger guard and away from the trigger.

1. Visually check the manual safety button to make sure it is in the "SAFE" position. (Ref. to Manual Trigger Safety Operation, page 8)
2. Press the shell release button to release a shell from the magazine onto the carrier. (Ref. to Fig. 12)
3. Cycle the bolt by pulling it to the rear and releasing it to permit feeding of the shell into the chamber.



NOTE: Allow the bolt to slam forward. Slowly moving the bolt forward may not allow the bolt head to rotate and lock into battery, causing a misfire.



IF THE MANUAL SAFETY IS NOT IN THE "SAFE" POSITION, THE SHOTGUN IS NOW READY TO FIRE. DO NOT TOUCH THE TRIGGER UNTIL YOU ARE READY TO FIRE.

TO SINGLE-LOAD THE CHAMBER WITHOUT SHELLS IN THE MAGAZINE.

Keeping the muzzle of the shotgun pointed in a safe direction, and your fingers out of the trigger guard and away from the trigger at all times:

1. Move the manual safety button to the "SAFE" position. (Ref. to Manual Trigger Safety Operation, Page 8)
2. Open the bolt of the shotgun. (Ref. to Opening the Bolt, Page 8)
3. Drop a shot shell of the proper gauge and length (Ref. to Ammunition, page 9) directly into the ejection port, with the crimped end of the shot shell forward toward the muzzle.
4. Press the bolt release button (Ref. to Closing the Bolt, Page 11) to allow the bolt to close and feed the shell into the chamber.

TO SINGLE-LOAD THE CHAMBER WITH SHELLS IN THE MAGAZINE.

Keeping the muzzle of the shotgun pointed in a safe direction, and your fingers out of the trigger guard and away from the trigger at all times:

1. Move the manual safety button to "SAFE" position. (Ref. to Manual Trigger Safety Operation, page 8)
2. Hold the bolt of the shotgun back with one hand while dropping one shot shell of the proper gauge and length (Ref. to Ammunition, page 9) directly into the receiver ejection port, with the crimped end of the shot shell forward toward the muzzle.
3. Release the bolt handle to allow the bolt to close and feed the shell into the chamber.

Note: *Allow the bolt to slam forward. Slowly riding the bolt forward may not allow the bolt head to rotate into battery, causing a misfire.*

FIRING THE SHOTGUN

1. With a shot shell in the chamber of the barrel, and **keeping the muzzle of the shotgun pointed in a safe direction and your fingers out of the trigger guard and away from the trigger**, move the manual safety button to the "FIRE" position. (Ref. to Manual Trigger Safety Operation, page 8)
2. Hold the recoil pad snugly to your shoulder and carefully point the muzzle of the shotgun at your intended target.
3. Place your finger lightly on the trigger and squeeze with steadily increasing pressure until the shotgun fires.
4. Unless an immediate second shot is intended, immediately:
 - a. Remove your finger from the trigger.
 - b. Place the manual trigger safety in the "ON" or "SAFE" position. (Ref. to Manual Trigger Safety Operation, Page 8)
 - c. Unload the Shotgun. (Ref. to Unloading the Shotgun, below)



DO NOT TOUCH THE TRIGGER UNTIL YOU ARE ACTUALLY READY TO FIRE THE SHOTGUN, OR AN UNINTENDED DISCHARGE MAY OCCUR, POSSIBLY RESULTING IN DEATH OR INJURY TO A BYSTANDER, OR DAMAGE TO AN UNINTENDED TARGET.

Attention: The 18i™ Semi-Automatic is designed to avoid firing when the bolt is not fully closed. Check that the bolt locking head is fully closed and locked by pushing the bolt handle until it is completely forward.

- After firing the last round the breech bolt automatically stays in the open position. This open breech signals that the magazine is empty.

If another shot shell is in the magazine it will automatically be fed into the chamber and will fire upon the next pull of the trigger.

UNLOADING THE SHOTGUN

Always unload your shotgun immediately after you finish shooting.

Fired shells will be ejected from the breech automatically. To unload unfired shells from the shotgun follow these directions:

With the manual trigger safety in the "ON" position (Ref. to Manual Trigger Safety Operation, page 8), and keeping the muzzle of the shotgun pointed in a safe direction and your fingers out of the trigger guard and away from the trigger at all times:

- 1) Pull the bolt handle to the rear to eject any shell in the chamber. If there is a shell in the chamber and a shell on the shell carrier, forward movement of the bolt will load the shell from the carrier into the chamber. To eject that shell, pull and release the bolt handle again. (Ref. to Fig. 13)

2) If any shells remains in the magazine tube, press the shell release button to place the shell on to the carrier. Pull the bolt lever back to place that shell into the chamber. Then pull the bolt back again to eject the shell from the chamber. Continue until all shells have been ejected. Fig. 13

3) Always check to make sure the shotgun is completely unloaded when you are finished shooting.



⚠ WARNING

VISUALLY AND MANUALLY CHECK TO BE SURE THAT NO AMMUNITION IS PRESENT IN THE CHAMBER OR MAGAZINE. IF A SHOT SHELL IS IN THE RECEIVER LOADING PORT WHEN THE BOLT RELEASE BUTTON IS DEPRESSED AND THE MANUAL SAFETY IS NOT IN THE "SAFE" POSITION, THE SHOTGUN IS NOW READY TO FIRE. DO NOT TOUCH THE TRIGGER UNTIL YOU ARE READY TO FIRE.

MULTI-CHOKE TUBES

Each new Weatherby® 18i™ semi-auto shotgun is equipped with 5 interchangeable choke tubes suitable for use with lead and/or steel shot, and one choke tube wrench. (Ref. to Fig. 16) If applicable, one of the choke tubes is installed in the muzzle of the barrel, and the remaining choke tubes are packaged in the shipping box.

Weatherby® choke tubes are crafted from high grade steel and are certified for steel shot from cylinder bore through modified choke constrictions. Please consult the choke value chart (page 18) for suggested usage.

The choke type is identified on the choke tube by notches or symbols. (Ref. to Fig. 14 and 15)

Fig. 14



Fig. 15



⚠ WARNING

WHEN REMOVING, INSTALLING OR TIGHTENING CHOKE TUBES, MAKE CERTAIN THERE ARE NO SHOT SHELLS IN THE CHAMBER, RECEIVER OR MAGAZINE. KEEP THE MUZZLE OF THE SHOTGUN POINTED IN A SAFE DIRECTION, AND KEEP YOUR FINGERS OUT OF THE TRIGGER GUARD AND AWAY FROM THE TRIGGER AT ALL TIMES TO AVOID ACCIDENTAL DISCHARGE RESULTING IN POSSIBLE SERIOUS INJURY OR DEATH TO YOURSELF OR OTHERS.

REMOVING CHOKE TUBES

After each shooting session, the choke tube should be removed, cleaned, lubricated and reinstalled to prevent corrosion. Powder residues, if not regularly cleaned, will make the removal of the choke tube more difficult.

Keeping the muzzle of the shotgun pointed in a safe direction, and keeping your fingers out of the trigger guard and away from the trigger at all times:

- 1) If removing a choke tube from a barrel installed on a shotgun:
 - a. Make sure the manual trigger safety is in the "ON" position (refer to Manual Trigger Safety Operation, Page 8)
 - b. Unload the shotgun. (refer to Unloading the Shotgun, Page 14)



Fig. 16

- 2) Remove the choke tube by inserting the choke wrench (Ref. to Fig. 16) and turning it counter clockwise. (Ref. to Fig. 17 and 18)

- 3) After cleaning and lubricating, the choke tube may be reinstalled. (refer to Installing Choke Tubes, Page 17)



Fig. 17



Fig. 18

INSTALLING CHOKE TUBES

Choke tubes may be installed into a barrel disassembled from the shotgun or with the barrel assembled to the shotgun by following these simple instructions.

NOTE: If installing choke tubes with the barrel removed from the shotgun, begin from instruction no. 2.

Keeping the muzzle of the shotgun pointed in a safe direction, and keeping all fingers out of the trigger guard and away from the trigger at all times:

1. When installing a choke tube in a barrel installed on a shotgun,
 - a. Make sure the manual trigger safety is in the "ON" position. (Ref. to Manual Trigger Safety Operation, Page 8)
 - b. Unload the shotgun. (Ref. to Unloading the Shotgun, Page 14)
2. Insert the smooth (non notched) end of the choke tube into the muzzle of the barrel, and screw it into the barrel as far as possible with your fingers, turning it in a clock-wise direction, being careful not to cross thread the choke.
3. Insert the stepped end of the choke tube wrench into the notches in the muzzle end of the choke tube, and continue turning clock-wise until the choke tube is seated, tightening snugly.

NOTICE: *To prevent damage to barrel or choke tube threads, do not over-tighten.*

NOTE: If the choke tube is correctly installed, it will not stick out of the muzzle.

CAUTION

IF A CHOKE IS DROPPED CHECK FOR ANY DAMAGE. DO NOT USE A BENT OR DAMAGED CHOKE AS THIS MAY DAMAGE THE BARREL RESULTING IN SERIOUS INJURY OR DEATH.

TIGHTENING CHOKE TUBES

Choke tubes may loosen with repeated recoil, which may result in changes in point of impact or damage to choke tube or barrel threads with extended use. Check and tighten choke tubes frequently before after and during shooting.

Choke tubes may be tightened with the barrel installed on the shotgun, or with the barrel removed from the shotgun.

NOTE: If tightening a choke tube with the barrel removed from the shotgun, begin with instruction no. 2.

CAUTION

- **Never shoot steel shot with a full or improved modified choke. Use only modified, improved cylinder or cylinder chokes (marked three, four, five cuts respectively).**
- **Never shoot slugs with a full choke, use only the most open choke which is marked with five cuts.**
- **Never shoot without a choke tube fitted in the barrel**

Keeping the muzzle of the shotgun pointed in a safe direction, and keeping all fingers out of the trigger guard and away from the trigger at all times:

1. If tightening a choke tube in a barrel installed on a shotgun,
 - a. Make sure the manual trigger safety is in the "ON" position. (Ref. to Manual Trigger Safety Operation, Page 8)
 - b. Unload the shotgun. (Ref. to Unloading the Shotgun, Page 14)
2. Insert the stepped end of the choke tube wrench into the notches in muzzle end of choke tube, and tighten the choke tube snugly, turning clock-wise.

<u>CHOKE TYPE</u>	<u>NOTCH #</u>	<u>STEEL SHOT</u>	<u>GAME</u>	<u>SHELL TYPE</u>	<u>PELLET SIZE</u>	<u>DIS-TANCE (YARDS)</u>
<u>FULL</u>	<u>I</u>	<u>NO</u> <small>(NEED MAXI S190)</small>	<u>WATERFOWL</u> <u>LARGE BIRD</u>	<u>MAGNUM,</u> <u>DEMI-MAGNUM,</u> <u>ARMORED</u>	<u>1-2-3</u>	<u>50-56</u>
<u>IMPROVED</u> <u>MODIFIED</u>	<u>II</u>	<u>NO</u> <small>(NEED MAXI S190)</small>	<u>WATERFOWL</u> <u>SMALL GAME</u> <u>BIRD</u>	<u>MAGNUM,</u> <u>DEMI-MAGNUM,</u> <u>ARMORED</u>	<u>4-5-6</u>	<u>41-44</u>
<u>MODIFIED</u>	<u>III</u>	<u>YES</u>	<u>BIRD</u> <u>WATERFOWL</u>	<u>ARMORED AND</u> <u>NORMAL</u>	<u>5-6-7-8</u>	<u>34-41</u>
<u>IMPROVED-</u> <u>CYLINDER</u>	<u>IIII</u>	<u>YES</u>	<u>SKEET</u> <u>SMALL BIRD</u>	<u>NORMAL</u>	<u>7-8-9-</u> <u>10-11-12</u>	<u>30-35</u>
<u>CYLINDER</u>	<u>IIIII</u>	<u>YES</u>	<u>SKEET</u>	<u>NORMAL</u>	<u>7-8-9-</u> <u>10-11-12</u>	<u>20-30</u>

USE OF BARREL EXTENSION

Weatherby® 18i™ shotguns are made to accept a 2" barrel extension. These are accessories available for purchase upon request.

Installing a barrel extension:

- Remove the choke tube by inserting the choke tube key and turning it counter-clockwise. (refer to Fig. 19)



- Reinstall the choke tube by starting the thread by hand, then tightening the choke tube with its key. (refer to Fig. 20 and 21)
- Now the gun is ready to be used.



Never shoot without a choke tube fitted in the barrel extension!

ADJUSTMENT AND OPTIONS

CHANGING THE STOCK DROP, CAST, AND LENGTH OF PULL

Your Weatherby® 18i™ semi-auto shotgun comes with length of pull (LOP) spacers, along with shims to adjust drop and cast. The LOP spacers allow the user to increase the overall length of the buttstock, measured between the center of the recoil pad and the front of the trigger. The drop and cast shims allow the user to adjust the angle of the buttstock left to right (cast) and up and down (drop).

The stock of the semiautomatic Weatherby® 18i™ has a standard drop of 55 mm (2.1 inches) at the Heel and 40 mm (1.5 inches) at the Comb. Accordingly, a standard drop shim marked 55 is already fitted on the gun between the stock and the receiver.

In order to accommodate all shooters' needs a drop change kit is included as standard equipment. The kit provides two shims marked 50 and 60 (*the number on the shim is not indicative of length, but an indicator only and shows how to change the drop "plus" or "minus"*). To accommodate left handed shooters, a left hand cast shim marked "LH" has also been included (Refer to Fig. 22).

To change the drop refer to Fig.24 throughout the following instructions:

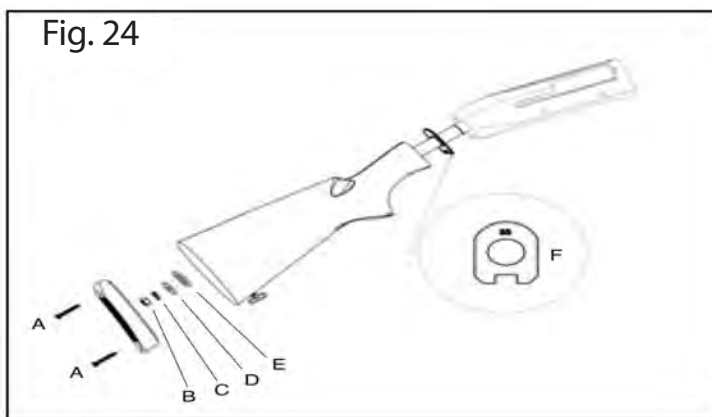
Note: At least one shim must be always be fitted on the gun, otherwise the stock might be damaged during shooting.



Before making any adjustment, make absolutely sure the shotgun is completely unloaded. (Ref. to Unloading the Shotgun, Page 14)

1. Using a Phillips-head screwdriver, unscrew the butt plate screws (A) to remove the butt plate. NOTE: use oil or wax on screwdriver to prevent damaging the butt pad.
2. Remove the stock by first removing the retaining nut (B) using a 14 mm socket or box wrench, then removing the washers (C & D) and the iron plate (E), and sliding the stock rearward off the recoil spring tube.
3. Insert the shim (F) corresponding to the desired drop over the recoil spring tube until the shim is flush with the receiver. **Note:** Each LOP spacer used will increase or decrease the LOP by 5mm (3/16"). Up to (3) LOP Spacers can be installed.
4. Install the stock and insert the iron plate (E) (Fig. 23) and washer (C) and (D).
5. Tighten the stock retaining nut (B) using the socket or hex wrench.
6. Install the butt plate and insert the screws (A) using a Phillips-head screwdriver to tighten.

After firing a few rounds, check to assure that the stock is tightened snugly to the receiver. If necessary, remove the recoil pad and re-tighten the stock nut (B).



MAGAZINE LIMITER PLUG REMOVAL

Since hunting regulations in some areas limit the number of shells allowed in the magazine, your Weatherby® 18i™ is equipped with a removable limiter plug, which reduces its magazine capacity to two shells. Check your local area hunting regulations to ensure compliance before removing this limiter plug.

Before removing the magazine limiter plug, make sure the Manual Safety Button is in the "ON" position (Ref. to Manual Trigger Safety Operation, page 8), and that the shotgun is unloaded. (Ref. to Unloading the Shotgun, page 14)

Keeping the muzzle of the shotgun pointed in a safe direction, and your fingers out of the trigger guard and away from the trigger at all times.

- 1) Unscrew and remove the magazine cap. (Ref. to Mounting the Barrel to the Receiver, Page 7)
- 2) Turn the shotgun over and remove the magazine plug from its housing. (Ref. to Fig. 25 and 26)

Fig. 25



Fig. 26



CLEANING AND MAINTAINING YOUR WEATHERBY® 18i™ SEMI-AUTO SHOTGUN

Any firearm requires regular cleaning and periodic maintenance. To assure safe and reliable functioning of your Weatherby® 18i™ semi-auto shotgun, it is very important that you clean it immediately after each use, and periodically during extended storage periods, to remove powder residue, dirt, dust and excess lubricant, and to prevent rust. During cleaning, inspect components to determine whether they are in proper working order.

A basic cleaning kit consists of proper-sized cleaning rods, bore brushes, bore swabs, patches, gun cleaning solvent, gun lubricant, and lint-free cloths. The cleaning rod must have a tip with a slot into which patches can be inserted. Tooth brushes, cotton swabs and pipe cleaners are very handy tools for cleaning away dirt in hard to reach places.

Proper maintenance is one of the most important facets in assuring the best performance of any firearm and safety of the shooter.

- Before using your Weatherby® 18i™ shotgun, inspect the barrel to make sure there are no bore obstructions, and that it is free of excess lubricant.
- After each shooting session, disassemble at least the barrel, the choke tube and the bolt mechanism for cleaning and lubricating.
- At frequent regular intervals, fully disassemble your shotgun (refer to Disassembly of Your Weatherby® 18i™ Semi-Auto Shotgun, Page 25) for thorough cleaning and proper lubrication.
- If the gun is used on a wet day, be sure to dry the gun and any wood parts in a well ventilated area.
- Do not store your shotgun in a gun case, gun slip, or gun sock if not completely dry.
- Storage of the gun in a plastic or synthetic gun case or gun slip for extended periods of time is not recommended.

To properly clean your shotgun, it must first be disassembled (Ref. to Disassembly of your Weatherby® Semi-Auto Shotgun, page 25), the parts and components cleaned as discussed below, then reassembled. (Ref. to Assembly Instructions, page 26)

WARNING

APPLY SOLVENTS AND LUBRICANTS PROPERLY AND SPARINGLY. EXCESSIVE OR BUILT-UP SOLVENTS AND LUBRICANTS MAY CONGEAL OR ATTRACT AND RETAIN DUST AND GRIME, WHICH CAN IMPEDE PROPER FUNCTIONING OF PARTS CRITICAL TO SAFE OPERATION, POTENTIALLY RESULTING IN DAMAGE TO THE SHOTGUN AND SERIOUS INJURY OR DEATH TO THE SHOOTER OR BYSTANDERS.

DO NOT SPRAY OR APPLY SOLVENTS OR LUBRICANTS DIRECTLY ON AMMUNITION. SOLVENTS AND LUBRICANTS MAY AFFECT THE PROPELLANT, CAUSING IT NOT TO IGNITE, BUT THE ENERGY FROM THE PRIMER MAY BE SUFFICIENT TO PROPEL THE PROPELLANT, WAD AND SHOT COLUMN INTO THE BORE OF THE BARREL, CAUSING AN OBSTRUCTION, AND RESULTING IN DAMAGE TO THE SHOTGUN AND SERIOUS INJURY OR DEATH TO THE SHOOTER AND BYSTANDERS UPON FIRING A SUBSEQUENT SHOT SHELL.

CLEANING THE BORE

1. Disassemble the barrel from the shotgun. (Ref. to Removing Barrel, Page 25)
2. Remove the choke tube by inserting the choke wrench and turning it counter-clockwise. (Ref. to Fig. 19, 20 & 21, page 19)
3. Apply gun cleaning solvent to a bore cleaning brush of the proper size attached to the cleaning rod.
4. Push the brush all the way through the barrel bore several times from the chamber end.
5. Insert the brush into the muzzle of the barrel only far enough to encounter the threads for the choke tube, and twist it several times.
6. With a clean patch inserted in the tip attached to the cleaning rod, push the rod all the way through the barrel bore from the chamber end until the cloth emerges from the muzzle. Remove the dirty patch and withdraw the rod.
7. Repeat step 6 as many times as needed until the patch is clean as it emerges from the muzzle.
8. Using a clean patch or lint-free cloth wrapped around the tip of your finger or similarly shaped object, remove all solvent from the muzzle and from the choke tube threads inside the barrel bore.
9. Insert a patch saturated with gun lubricant into the cleaning rod tip and push it through the bore from the chamber end. Remove the patch and withdraw the rod.
10. Insert a dry, clean patch into the cleaning rod tip and push it through the bore from the chamber end, to remove excess lubricant. Remove the patch and withdraw the rod.
11. Using a clean patch or lint-free cloth wrapped around the tip of your finger or similarly shaped object, apply a light coat of gun lubricant to the choke tube threads and muzzle of the barrel bore.

WARNING

EXCESS LUBRICATION IN THE BORE OR CHAMBER OF ANY FIREARM MAY CREATE EXCESSIVE CHAMBER PRESSURES OR A PARTIAL BORE OBSTRUCTION, RESULTING IN POSSIBLE DAMAGE TO THE FIREARM AND SERIOUS INJURY TO THE SHOOTER AND BYSTANDERS UPON FIRING. BE SURE ALL EXCESS LUBRICANT HAS BEEN REMOVED.

CLEANING THE OUTSIDE OF THE BARREL

1. Using a patch or clean cloth saturated with cleaning solvent, wipe down all accessible surfaces of the barrel, rib and barrel ring. (A clean tooth brush may be handy for cleaning the corners and recesses of the rib and barrel ring.)
2. With a clean, dry, lint-free cloth, remove all cleaning solvent.
3. Using a patch or clean cloth, apply a light coat of gun lubricant to the outside surfaces of the barrel, rib and barrel ring, being careful to remove any excess lubricant.

CLEANING CHOKE TUBES

1. Apply gun cleaning solvent to a bore cleaning brush of the proper size attached to the cleaning rod.
2. Push the brush all the way through the choke tube several times.
3. With a clean patch inserted in the tip attached to the cleaning rod, push the rod all the way through the choke tube until the patch emerges from the other end. Remove the

dirty patch and withdraw the rod.

4. Repeat step 3 as many times as needed until the patch is clean as it emerges from the choke tube.

5. Insert a patch saturated with gun lubricant into the cleaning rod tip and push it through the choke tube. Remove the patch and withdraw the rod.

6. Insert a dry, clean patch into the cleaning rod tip and push it through the choke tube to remove excess lubricant. Remove the patch and withdraw the rod.

7. Using a patch or clean cloth saturated with gun cleaning solvent, wipe down the outside surfaces of the choke tube. (A clean tooth brush may be handy for cleaning the threads.)

8. With a clean, dry lint-free cloth, remove all cleaning solvent.

9. Using a patch or clean cloth, apply a light coat of gun lubricant to the outside surfaces of the choke tube, being careful to remove any excess lubricant.

CLEANING THE ACTION:

1. Using a small lint-free cloth, clean all accessible surfaces on the inside and outside of the action with gun cleaning solvent. A clean tooth brush may be handy for cleaning the corners and recesses of the receiver.

2. Dry all inside and outside surfaces of the receiver thoroughly with a clean, dry cloth.

3. With a clean cloth or patch, apply a light coat of gun lubricant to all accessible surfaces of the action being careful to remove any excess lubricant.

CLEANING THE MAGAZINE

1. Using a lint-free cloth, clean all outside surfaces of the magazine tube with gun cleaning solvent, and dry thoroughly with a clean cloth.

2. With a clean, dry, lint-free cloth or patch, apply a light coat of gun lubricant to the outside surface of the magazine tube.

CLEANING THE FOREND AND BUTTSTOCK

Usually, wiping the forend and butt stock with a clean, dry cloth or a silicon cloth is all that is necessary. If you have been hunting or shooting in wet weather, allow the butt stock to dry thoroughly before storage.

RUST PREVENTION AND REMOVAL

During normal maintenance, after a thorough cleaning, allow 2-3 hours at room temperature, for all metal parts to dry completely. Then apply a liberal amount of high grade Gun Oil to all metal parts, wiping off any excess with a clean dry cloth. If rusting does occur it may only be surface rust due to excessive moisture. You may be able to remove it by using a plastic bristle gun cleaning brush and gun cleaning solvent. If you are unable to remove rust on your shotgun, please contact the Weatherby® Service Department or your local gunsmith. Immediate attention to this problem is imperative to prevent irreparable rust damage.

DO NOT ALLOW RUST TO GO UNTREATED!

DISASSEMBLY OF YOUR WEATHERBY® 18i™ SEMI-AUTO SHOTGUN

REMOVING THE BARREL AND FOREND

Keeping muzzle of the shotgun pointed in a safe direction, and keep your fingers out of the trigger guard and away from the trigger at all times:

It is recommended that this operation be conducted with the shotgun setting vertically on its recoil pad while holding the action and/or grip.

1) Unload the shotgun. (Ref. to Unloading the Shotgun, page 14).

2) Open the bolt by pressing the bolt release, pushing the shell release button, and sliding the bolt back (Ref. to Opening the Bolt, Page 10).

3) Unscrew the magazine cap by turning it counter clockwise and remove it (Ref. to Fig. 27).

4) GRASPING THE SHOTGUN BY THE ACTION OR GRIP AREA, slide the barrel and forend toward the muzzle and remove them. (Ref. to Fig. 28 and 29).

5) Pull the forend off the barrel, slide it onto the magazine tube, and screw the magazine cap back onto the magazine if storing with the barrel removed.



Fig. 27

REMOVING THE TRIGGER GROUP

To remove the trigger group from the receiver, follow these instructions:

1) Unload the shotgun. (Ref. to Unloading the Shotgun, page 14)

2) By means of a punch or a similarly suitable tool, push the trigger guard pin through the receiver and remove the pin.

3) While pushing the bolt release, push the trigger group forward and remove the trigger group. Be careful not to force removal of the trigger guard without pushing the bolt release, this may damage the gun.



Fig. 28



Fig. 29

REMOVING THE BOLT ASSEMBLY

The bolt assembly should be removed for cleaning and lubricating only.

- 1) Remove the barrel (Ref. to Removing the Barrel, page 25)
- 2) Remove the bolt handle by pulling it straight out from the right side of the bolt. (Ref. to Fig. 30)
- 3) Pull the bolt out of the front of the receiver. (Ref. to Fig. 31)

Fig. 30



Fig. 31

⚠ WARNING

WEATHERBY RECOMMENDS THAT ANY DISASSEMBLY AND REASSEMBLY OF THE BOLT ASSEMBLY BE PERFORMED ONLY BY A QUALIFIED GUNSMITH, TO AVOID REASSEMBLY ERRORS WHICH MIGHT IMPACT THE INTEGRITY OF THE SHOTGUN'S BREECH LOCKING MECHANISM, POTENTIALLY RESULTING IN DAMAGE TO THE SHOTGUN AND SERIOUS INJURY TO THE SHOOTER AND BYSTANDERS UPON FIRING.

ASSEMBLY OF THE WEATHERBY® 18i™ SEMI-AUTO SHOTGUN

TRIGGER GROUP INSTALLATION

- 1) After cleaning and lubricating the trigger group, make sure that the hammer is cocked.
- 2) Reinsert the trigger group into the receiver and push it rearward while pressing the bolt release.
- 3) Align the hole in the trigger group with the hole in the receiver, and then insert the trigger guard pin.

INSTALLING THE BOLT ASSEMBLY

- 1) Insert the whole bolt mechanism into the receiver. Make sure to correctly insert the bolt link into its housing inside the receiver. (Ref. to Fig. 31)
- 2) Complete the installation by pushing the bolt handle back into the bolt, until it stops and clicks. (Ref. to Fig. 30)

INSTALLING THE BARREL AND FOREND

- 1) Install the barrel. (Ref. to Installing the Barrel, page 7)
- 2) Install the forend. (Ref. to Installing the Forend, page 7)

SUGGESTIONS FOR GETTING TOP PERFORMANCE FROM YOUR WEATHERBY® 18i™ SEMI-AUTO SHOTGUN

1. Check and tighten choke tubes frequently -- before, during and after shooting. Choke tube threads may loosen with repeated recoil, which may result in changes in point of impact or damage to choke tube or barrel threads with extended use.
2. The accuracy of any firearm can vary depending upon the brand and type of ammunition used. If your shotgun does not exhibit the consistent point of impact and shot pattern you expect, you should try several brands and types of ammunition, after referring to point 1, above, before concluding that it is "inaccurate".

DO NOT ALTER THE STOCK IN ANY WAY. Once a stock has been altered, it cannot be reworked by the Weatherby® Service Department.

3. Consult the Weatherby® Service Department before returning any product for inspection or repair.

STORING YOUR SHOTGUN

Your Weatherby® 18i™ semi-auto shotgun may be stored fully assembled (Ref. to Assembly Instructions, page 26), or in "take down" condition.

If storing your shotgun fully assembled, release the pressure on the hammer spring as follows:

1. Make certain the shotgun is not loaded by following unloading procedures. (Ref. to Unloading the Shotgun, page 14)
2. Close the bolt. (Ref. to Closing the Bolt, page 11)
3. ***While pointing the muzzle of the shotgun in a safe direction***, pull the trigger.

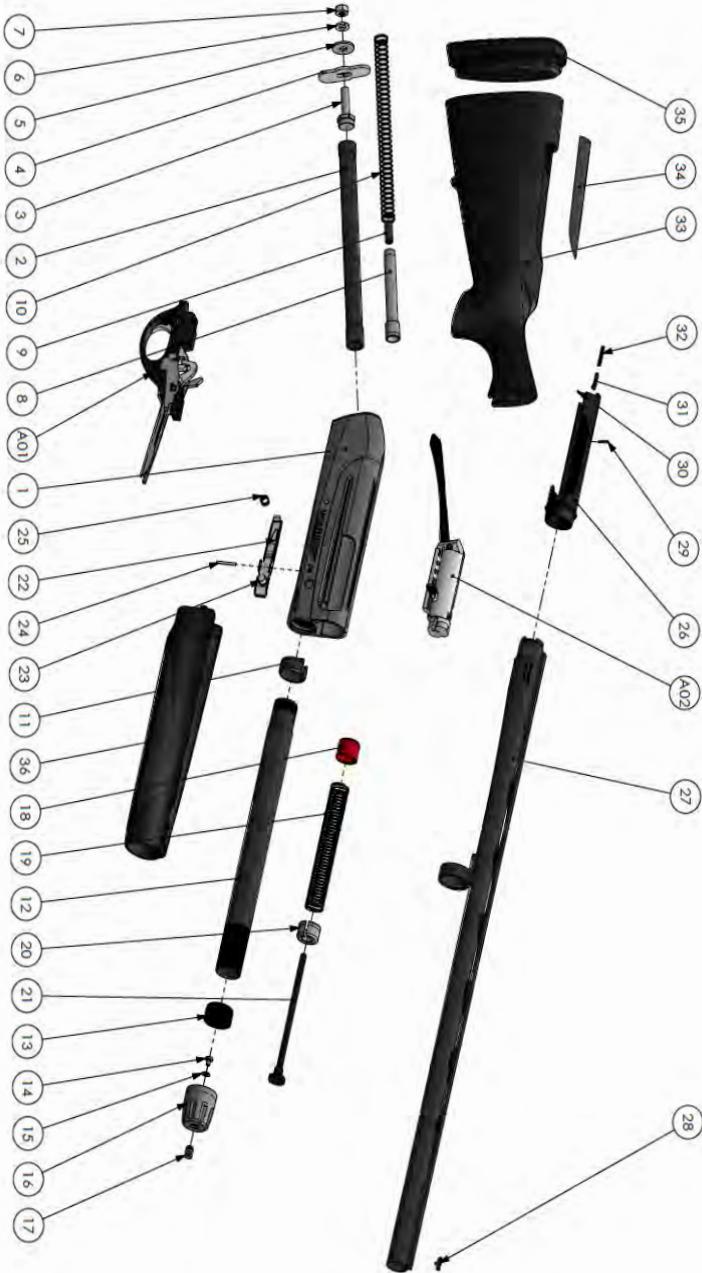
Do not store your shotgun in a leather case, scabbard or foam lined gun case. Leather and foam can attract moisture and cause rusting. Ensure the surfaces of the gun are cleaned and lightly oiled (Refer to Cleaning your Shotgun, Page 22) before storing to ensure no moisture is present which could result in rust.

For your safety, and the safety of others, store your shotgun with a lock or other safety device properly installed, and store your ammunition in a separate, locked location.

EXPLODED VIEW DIAGRAM

General Assembly 12 Ga 3.5

181 12ga - 3.5" (A00)



valid for: ISY1228SMG IWR1228SMG



PARTS LIST

General Assembly 12 Ga 3.5

18i 12ga 3.5" _EXPLODED VIEW

Pos.	Q.tà	Codice	PARTICOLARE	
1	1	WBY1289.G001	CARCOSSA	RECEIVER
2	1	1000.54/	Tubo calcio	SOTCK TUBE
3	1	GR.D007	vite firante tubo calcio - super magnum	STOCK RETAINING NUT SCREW
4	1	1000.68.0	Piastrina fissaggio calcio	STOCK LOCKING PLATE
5	1	ID.008	Rondella vite firante	SPACER STOCK NUT SCREW
6	1	ID.009	rondella grower DIN127-B M8	ELASTIC WASHER
7	1	ID.010	Dado ISO 8673-M8x1	STOCK RETAINING NUT
8	1	GR.D005	Massa SM	RECOIL SPRING PLUNGER
9	1	GR.D011	POSIZIONATORI HALDER H22060.0108	
10	1	GR.D006	Molla tubo calcio	STOCK TUBE SPRING
11	1	TAC010.I	anello centraggio asta TACTICAL cal.12	FOREND CENTERING RING
12	1	TAC001	Tubo SERBATOIO	MAGAZINE TUBE
13	1	TAC004	Anello di battuta tenone	MAGAZINE TUBE RING AGAINST BARREL NUT (TO BE GLUED)
14	1	IE.007	vite testa bomb imp a croce	
15	1	IE.009	rondella piana UNI 6592-DIN 125A - M4	
16	1	WBY12.E002	Tappo Asta	FOR END LOCK CAP
17	1	90124	porta cinghia	
18	1	IR.004	Spingi cartuccia	MAGAZINE FOLLOWER
19	1	IR.0034C	Molla tubo serbatoio 4 colpi	MAGAZINE SPRING
20	1	TAC003	Tappo tubo serbatoio	Magazine spring cup
21	1	TAC011.2P	RIDUTTORE	Magazine reducer
22	1	GR.G003.02	Leva ferma cartucce Super Magnum	
23	1	SA12.G006	Pulsante leva ferma cartucce	carrier latch button
24	1	IG.004	Spina leva com.fc. Ø2.5 x 22 DIN 7343 - UNI6875	
25	1	IG.002	Molla piastrina sgancio otturatore	
26	1	IN.004S.J.N	Culatta	
27	1	WBYSM.71TX (brunita) nita)	canna 28"	
28	1	WBYSM.71TK (camo) mo)	mirino LPA - MF10R	FRONT SIGHT
29	1	IN.005SJ	spina ritegno espulsore - iso8750 - Ø2x12	
30	1	IN.006SJ	spina ritegno molla espulsore - iso8750 - Ø1.5x5	
31	1	IN.007SJ	espulsore SJ12SM	
32	1	IN.008SJ	molla espulsore	
33	1	ID.001S (soft touch) uch)	calcio	STOCK
34	2	ID.001CO.C (camo) mo)	inserto superiore in gomma	RUBBERED INSERT AT COMB
35	1	ID.002	calciolo	BUTT PLATE
36	1	TAC009ST (soft touch) uch)	asta	FOR END
		TAC009.C (camo) no)		

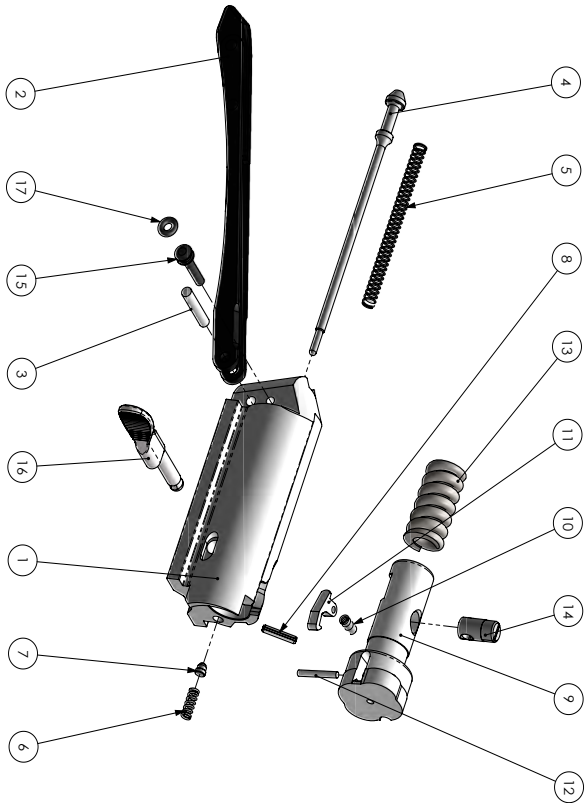
EXPLODED VIEW DIAGRAM

Bolt Assembly 12 Ga 3.5"

BOLT GROUP 18i 12ga - 3.5" (A02)



valid for: ISY1228SMG IWR1228SMG



PARTS LIST

Bolt Assembly 12 Ga 3.5"

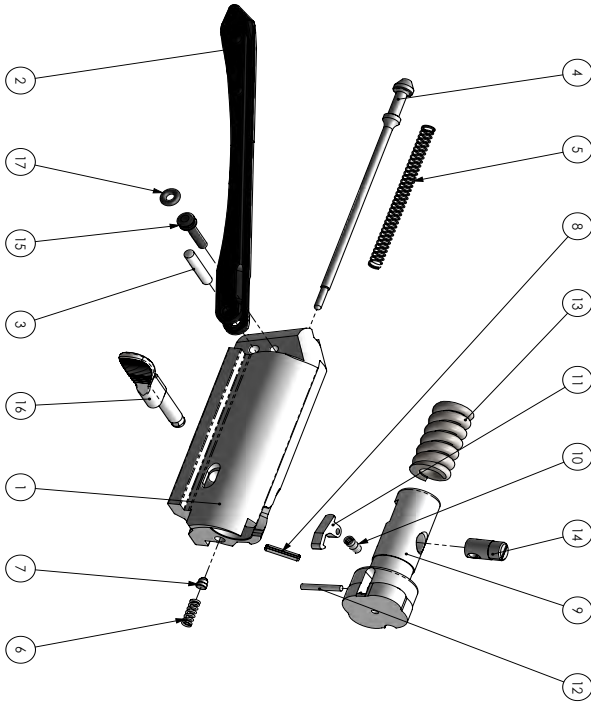
BOLT GROUP 18i 12ga - 3.5"

Pos.	Q.tà	
1	1	BOLT CARRIAGE BLACK
2	1	BOLT - LINK
3	1	BOLT LINK PIN
4	1	FIRING PIN
5	1	FIRING PIN SPRING
6	1	BOLT HANDLE RATAINING SPRING
7	1	BOLT HANDLE PIN
8	1	BOLT HANDLE SPRING RETAINING PIN
9	1	LOCKING HEAD
10	1	EXTRACTOR SPRING
11	1	EXTRACTOR
12	1	SXTRACTOR PIN
13	1	BOLT INERTIAL SPRING
14	1	LOCKING HEAD ROTATION PIN
15	1	FIRING RETAINING PIN
16	1	BOLT HANDLE
17	1	O -RING

EXPLODED VIEW DIAGRAM

Trigger Assembly 12 Ga 3.5"

BOLT GROUP 18! 12ga - 3.5" (A02)



valid for: ISY1228SMG IWR1228SMG



PARTS LIST

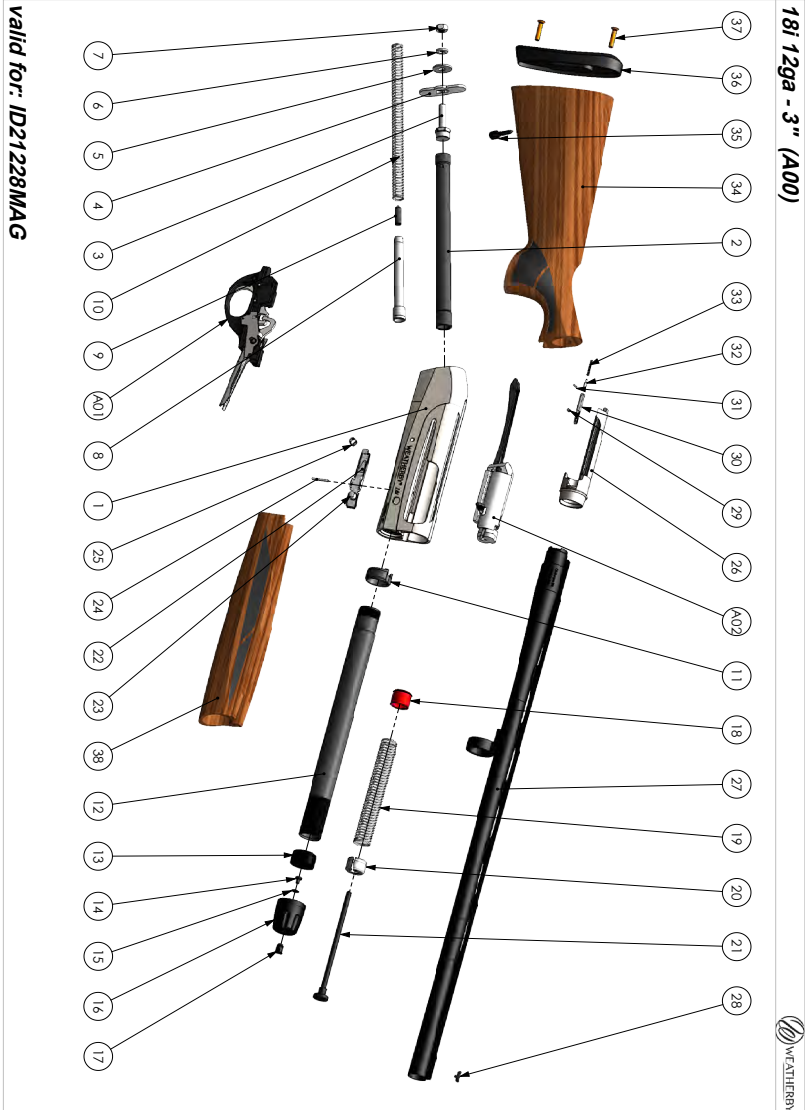
Trigger Assembly 12 Ga 3.5"

TRIGGER GROUP 18i 12ga 3.5

Pos.	Q.tà	
1	1	TRIGGER GUARD
2	1	TRIGGER SPRING
3	1	TRIGGER
4	1	SAFETY SPRING
5	1	DISCONNECTOR PLUNGER
6	1	DISCONNECTOR
7	1	SAFETY PLUNGER
8	1	SAFETY BOTTON
9	1	SAFETY PIN
10	1	SAFETY SPRING
11	1	SAFETY SPRING RETAINING PIN
12	1	CARTRIDGE DROP LEVER SPRING
13	2	TRIGGER PIN
14	1	HAMMER SPRING
15	1	HAMMER SPRING CAPSULE
16	1	BREECH BOLT LATCH
17	1	BREECH BOLT LATCH PIN
18	1	SUPERMAGNUM CARRIER
19	1	CARRIER SPRING
20	1	CARRIER SPRING PLUNGER
21	1	HAMMER
22	1	CARTRIDGE DROP LEVER
23	1	HAMMER BUSH
24	1	TRIGGER GUARD PIN SPRING
25	1	TRIGGER GUARD PIN

EXPLODED VIEW DIAGRAM

General Assembly 12 Ga 3"



PARTS LIST

General Assembly 12 Ga 3"

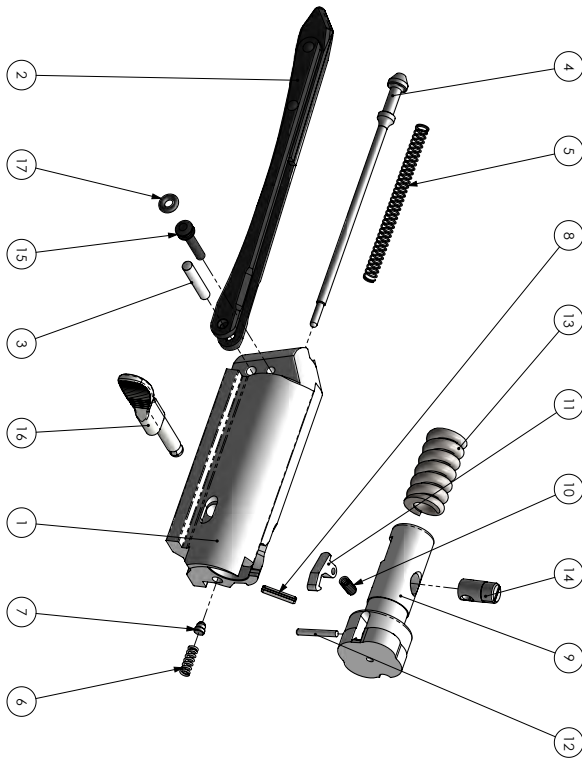
18i 12ga 3" EXPLODED VIEW

Pos.	Q.tà	Codice	PARTICOLARE	
1	1	WBY1276.G00N.N	carcassa	RECEIVER
2	1	1000.54/	Tube calcio	STOCK TUBE
3	1	ID.007.1	vite tirante tubo calcio - magnum	STOCK RETAINING NUT SCREW
4	1	1000.68.0	Piastrina fissaggio calcio	STOCK LOCKING PLATE
5	1	ID.008	Rondella vite firante	LOCKING PLATE
6	1	ID.009	rondella grower DIN127-B M8	ELASTIC WASHER
7	1	ID.010	Dado ISO 8673-M8x1	STOCK RETAINING NUT
8	1	2D.005	Massa con sede ammortizzatore	RECOIL SPRING PLUNGER
9	1	GR.D011	POSIZIONATORI HALDER	
10	1	930.D006	Molla carrello otturatore	STOCK TUBE SPRING
11	1	TAC010.I	anello centraggio asta TACTICAL cal.12	FOREND CENTERING RING
12	1	TAC001	Tubo SERBATOIO	MAGAZINE TUBE
13	1	TAC004	Anello di battuta tenone	MAGAZINE TUBE RING AGAINST BARREL NUT (TO BE GLUED)
14	1	IE.007	vite testa bomb imp a croce	
15	1	IE.009	rondella piana	
16	1	WBY12.E002.L	Tappo Asta	FOREND CAP
17	1	90124	porta cinghia	
18	1	IR.004	Spingi cartuccia	MAGAZINE FOLLOWER
19	1	IR.0034C	Molla tubo serbatoio 4 colpi	Magazine spring
20	1	TAC003	Tappo tubo serbatoio	Magazine spring cup
21	1	TAC011.2P	Magazine reducer	MAGAZINE REDUCER
22	1	IG.003I	Leva ferma cartucce	
23	1	SA12.G006	Pulsante leva ferma cartucce -	carrier latch button
24	2	IG.004	Spina leva com.fc.	
25	1	IG.002	Molla piastrina sgancio otturatore	
26	1	IN.004.B	Culatta	BREECH
27	1	WBY.001.#0T	canna 28"	BARREL
28	1	930.MF10R	mirino LPA - MF10R	FRONT SIGHT
29	1	2N.006	Rivetto anteriore espulsore	
30	1	IN.005	Porta espulsore -	Cartridge ejector
31	1	IN.009	Spina ritegno molla espulsore	
32	1	IN.007	Spina espulsore	
33	1	IN.008	Molla espulsore	
34	1	WBY12.D001.SF	calcio SF	STOCK
35	1	90.123	Vite portacinta	SLING SWIVEL
36	1	ID.002.1	calciolo microcell	BUTT PLATE
37	2	930.D019	Vite TSP impr. croce zincata	
			965 M5X25	RECOIL PAD SCREW
38	1	WBY12.E001.SF	asta SF	FOREND

EXPLODED VIEW DIAGRAM

Bolt Assembly 12 Ga 3"

BOLT GROUP 181 12ga - 3" (A02)



valid for: ID21228MAG

PARTS LIST

Bolt Assembly 12 Ga 3"

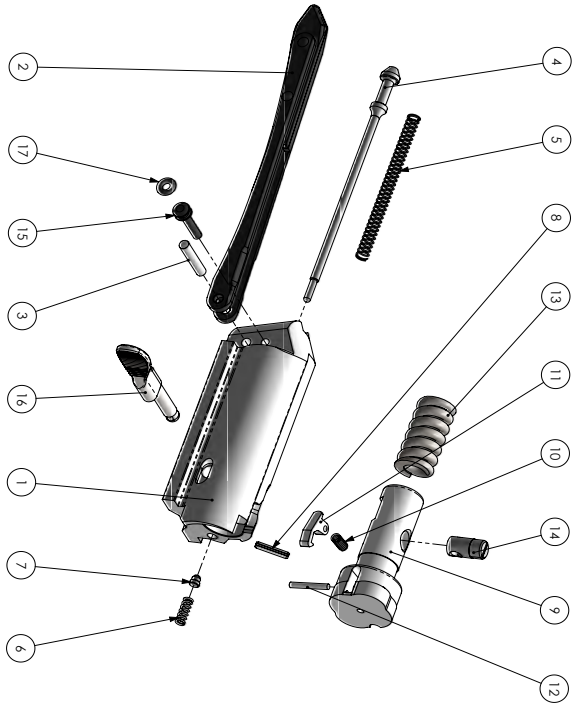
BOLT GROUP 18i 12ga 3"

Pos.	Q.tà	
1	1	BOLT CARRIAGE CHROMED
2	1	BOLT - LINK
3	1	BOLT LINK PIN
4	1	FIRING PIN
5	1	FIRING PIN SPRING
6	1	BOLT HANDLE RATAINING SPRING
7	1	BOLT HANDLE PIN
8	1	BOLT HANDLE SPRING RETAINING PIN
9	1	LOCKING HEAD
10	1	EXTRACTOR SPRING
11	1	EXTRACTOR
12	1	SXTRACTOR PIN
13	1	BOLT INERTIAL SPRING
14	1	LOCKING HEAD ROTATION PIN
15	1	FIRING RETAINING PIN
16	1	BOLT HANDLE
17	1	O-RING

EXPLODED VIEW DIAGRAM

Trigger Assembly 12 Ga 3"

BOLT GROUP 181 12ga - 3" (A02)



valid for: ID21228MAG

PARTS LIST

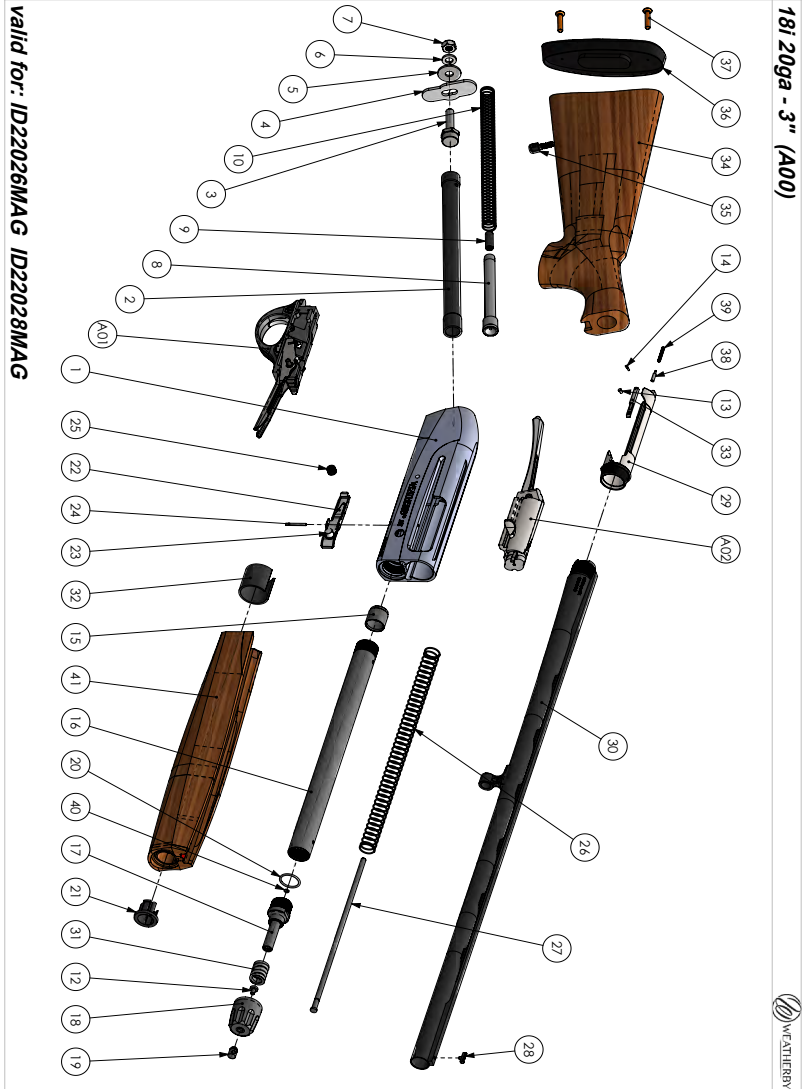
Trigger Assembly 12 Ga 3"

BOLT GROUP 18i 12ga 3"

Pos.	Q.tà	
1	1	BOLT CARRIAGE CHROMED
2	1	BOLT - LINK
3	1	BOLT LINK PIN
4	1	FIRING PIN
5	1	FIRING PIN SPRING
6	1	BOLT HANDLE RATAINING SPRING
7	1	BOLT HANDLE PIN
8	1	BOLT HANDLE SPRING RETAINING PIN
9	1	LOCKING HEAD
10	1	EXTRACTOR SPRING
11	1	EXTRACTOR
12	1	SXTRACTOR PIN
13	1	BOLT INERTIAL SPRING
14	1	LOCKING HEAD ROTATION PIN
15	1	FIRING RETAINING PIN
16	1	BOLT HANDLE
17	1	O -RING

EXPLODED VIEW DIAGRAM

General Assembly 20 Ga 3"



PARTS LIST

General Assembly 20 Ga 3"

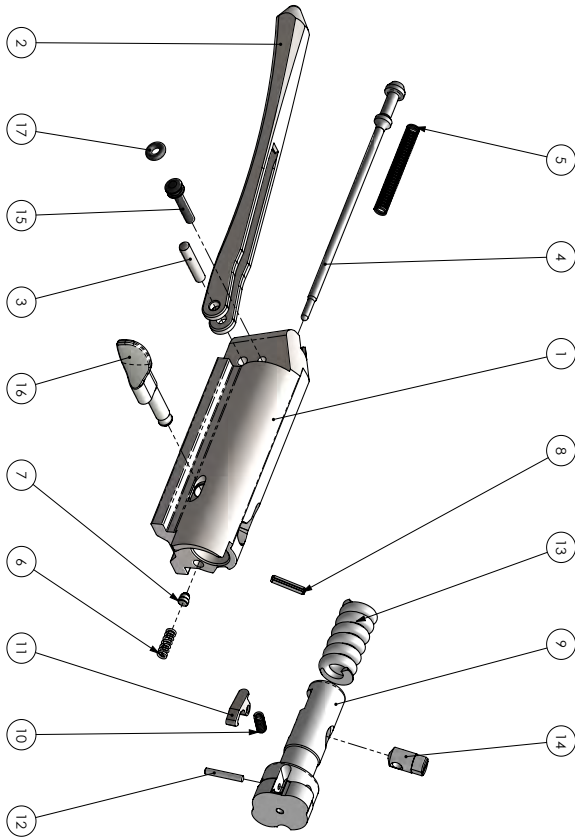
18i 20ga 3" _EXPLODED VIEW

Pos.	Q.tà	Codice	PARTICOLARE	
1	1	WBY2076.2G001.N	CARCASSA	RECEIVER
2	1	1000.54/	Tubo calcio	SOTCK TUBE
3	1	ID.007.1	vite tirante tubo calcio - magnum	STOCK RETAINING NUT SCREW
4	1	1000.68.0	Piastrina fissaggio calcio	STOCK LOCKING PLATE
5	1	ID.008	Rondella vite tirante	SPACER STOCK NUT SCREW
6	1	ID.009	rondella grower DIN127-B M8	ELASTIC WASHER
7	1	ID.010	Dado ISO 8673-M8x1	STOCK RETAINING NUT
8	1	2D.005.L	Massa con sede ammortizzatore	
9	1	GR.D011	POSIZIONATORI HALDER H22060.0108	RECOIL SPRING PLUNGER
10	1	2D.006	Molla tubo calcio	STOCK TUBE SPRING
15	1	2R.004	Boccola spingi cartuccia	magazine follower
16	1	2R.001	Tubo serbatoio 4C	MAGAZINE TUBE
17	1	2R.002	Tappo tubo serbatoio	MAGAZINE TUBE CAP
12	1	IE.007	vite testa bomb imp a croce	
18	1	WBY20.E002.L	Tappo astina	FOR END LOCK CAP
19	1	IE.008	base porta cinghia	STOCK SWIVEL
20	1	2R.006	SUPP.FISSAGGIO TAPPO ASTA	magaz. spring cup
21	1	1000.70.1	Inserto asta	WHOLE FOREND INSERT
22	1	IG.0031	Leva ferma cartucce	
23	1	SA.12.G006	Pulsante leva ferma cartucce -	carrier latch
24	1	IG.004	Spina leva com.fc.	
25	1	IG.002	Molla leva ferma cartucce	
26	1	2R.003	Molla tubo serbatoio	MAGAZINE SPRING
27	1	2R.005	Astina riduttore	Magazine reducer
28	1	930.MF10R	mirino LPA - MF10R	FRONT SIGHT
29	1	2N.004.B	Culatta / Breech	BREECH
30	1	BY.66A (26") 2WBY.70A (28")	Canna / Barrel	COMPLETE BARREL
31	1	IE.004	Molla tappo asta	FOREND CAP SPRING
32	1	IE.005	inserto asta	
33	1	IN.005	Porta espulsore -	Cartridge ejector
38	1	IN.007	Spina espulsore	
39	1	IN.008	Molla espulsore	
13	1	2N.006	Rivetto ant. supp. estrattore	
14	1	IN.009	Rivetto post. supp. estrattore	
34	1	WBY20.D001.SF	calcio	STOCK
35	1	90.123	Vite portacinta	SLING SWIVEL SCREW
36	1	ID.002.1	calciolo microcell	BUTT PLATE
37	2	930.D019	Vite TSP impr. croce zincata UNI 7688 - ISO 7046 - DIN 965 M5X25	RECOIL PAD SCREW
40	1	OR.001	o-ring Ø3.5x1 NBR 70Sh	ORING
41	1	WBY20.E001.SF	asta	FOR END

EXPLODED VIEW DIAGRAM

Bolt Assembly 20 Ga 3"

BOLT GROUP 181 20ga - 3" (A02)



valid for: ID22026MAG ID22028MAG



PARTS LIST

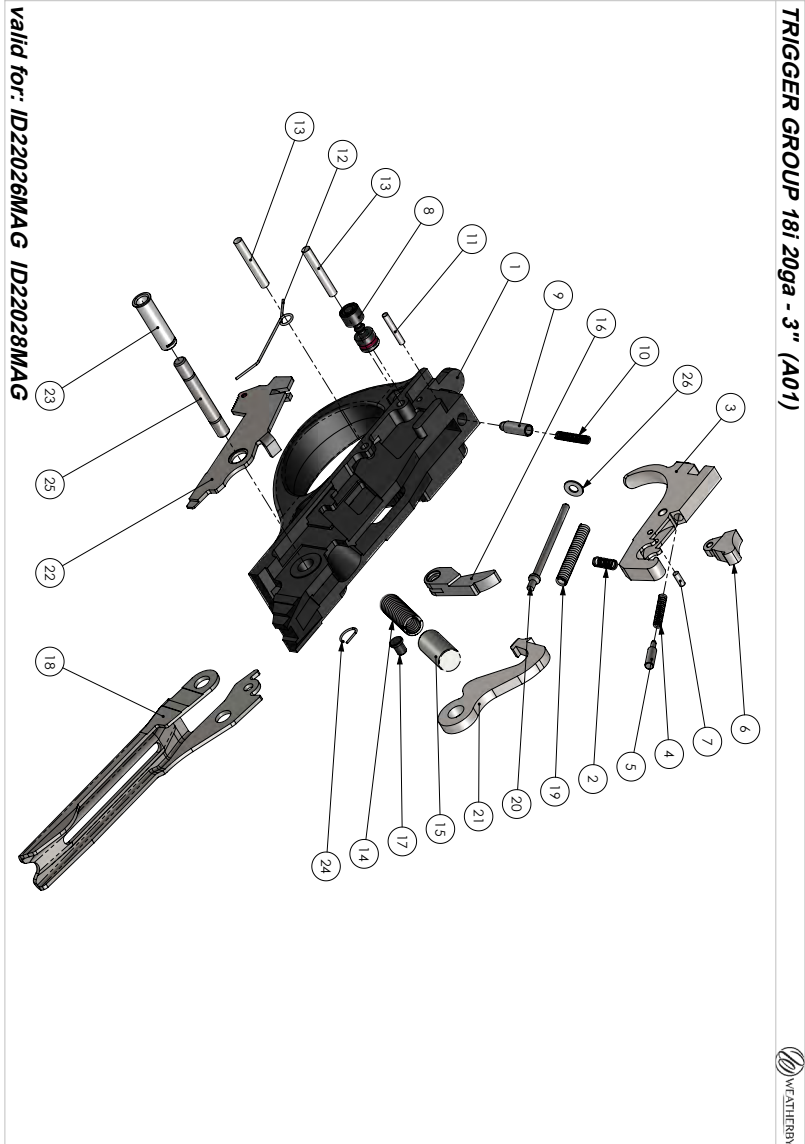
Bolt Assembly 20 Ga 3"

BOLT GROUP 18i 20ga 3"

Pos.	Q.tà	
1	1	BOLT CARRIAGE
2	1	BOLT - LINK
3	1	BOLT LINK PIN
4	1	FIRING PIN
5	1	FIRING PIN SPRING
6	1	BOLT HANDLE RATAINING SPRING
7	1	BOLT HANDLE PIN
8	1	BOLT HANDLE SPRING RETAINING PIN
9	1	LOCKING HEAD
10	1	EXTRACTOR SPRING
11	1	EXTRACTOR
12	1	SXTRACTOR PIN
13	1	BOLT INERTIAL SPRING
14	1	LOCKING HEAD ROTATION PIN
15	1	FIRING RETAINING PIN
16	1	BOLT HANDLE
17	1	O -RING

EXPLODED VIEW DIAGRAM

Trigger Assembly 20 Ga 3'''



PARTS LIST

Trigger Assembly 20 Ga 3"

TRIGGER GROUP 18i 20ga

Pos.	Q.tà	
1	1	TRIGGER GUARD
2	1	TRIGGER SPRING
3	1	TRIGGER
4	1	SAFETY SPRING
5	1	DISCONNECTOR PLUNGER
6	1	DISCONNECTOR
7	1	SAFETY PLUNGER
8	1	SAFETY BOTTON
9	1	SAFETY PIN
10	1	SAFETY SPRING
11	1	SAFETY SPRING RETAINING PIN
12	1	CARTRIDGE DROP LEVER SPRING
13	2	TRIGGER PIN
14	1	HAMMER SPRING
15	1	HAMMER SPRING CAPSULE
16	1	BREECH BOLT LATCH
17	1	BREECH BOLT LATCH PIN
18	1	CARRIER
19	1	CARRIER SPRING
20	1	CARRIER SPRING PLUNGER
21	1	HAMMER
22	1	Cartridge drop lever - cal 20
23	1	HAMMER BUSH
24	1	TRIGGER GUARD PIN SPRING
25	1	TRIGGER GUARD PIN
26	1	Spring tunneL plate

WEATHERBY SERVICE POLICY

Weatherby is a name that has been synonymous with quality firearms for over 70 years. All Weatherby® firearms are manufactured of the finest materials and have been thoroughly inspected and tested in every phase of production. Because of the confidence we have in our products, Weatherby® does not provide a written warranty, but rather stands behind its reputation for customer service and satisfaction.

Simply stated, we will consider requests for service or repair of Weatherby® firearms without charge on a case by case basis. A determination will be made taking into consideration such things as the age and condition of the firearm, and the circumstances surrounding its malfunction or other problem.

Weatherby, Inc. will not be responsible for defects resulting from ordinary wear and tear, alterations by unauthorized persons, accidents, misuse, use of incorrect or other than factory loaded ammunition, or failure to provide reasonable and normal maintenance.

Should any Weatherby® firearm require service or repair under this service policy, it must be delivered transportation prepaid to Weatherby® Service Department only after approved by the Weatherby® service team and with an approved RMA. The product must be accompanied by a proof of purchase and a letter explaining the problem. It should also be insured by the owner at the time of shipment, as Weatherby, Inc. can accept no responsibility for damage or loss in transit. Weatherby® will pay all charges to return the product to the owner if it is accepted for service or repair without charge under the provisions of this service policy. Weatherby, Inc. also reserves the right to repair or replace any product at our sole discretion.

WEATHERBY, INC. SHALL NOT BE LIABLE FOR ANY CONSEQUENTIAL, INCIDENTAL OR CONTINGENT DAMAGES.

TEN COMMANDMENTS OF FIREARMS SAFETY

Prevention is the solution to hunting and shooting casualties. Every hunting and shooting accident that has occurred could have been prevented. Most such accidents happen as a result of people ignoring basic firearms safety rules. Prevention involves knowing and obeying those basic safety rules. Responsible, knowledgeable, and safe hunters and shooters will learn, remember and follow these simple rules:

1. Treat every firearm with the same respect due a loaded firearm.
2. Control the direction of your firearm's muzzle. Carry your firearm safely, keeping the safety on until ready to shoot. Keep your finger off the trigger until ready to shoot.
3. Identify your target and what is beyond it. Know the identifying features of the game you hunt or the targets you intend to shoot.
4. Be sure the barrel and action are clear of obstructions and that you have only ammunition of proper size for the firearm you are carrying.
5. Whenever not in use, keep your firearm unloaded and store all ammunition in a separate location.
6. Never point a firearm at anything you do not want to shoot. Avoid all horseplay with a firearm.
7. Never climb a fence or tree, or jump a ditch or log, with a loaded firearm. Never pull a firearm toward you by the muzzle.
8. Never shoot at a flat hard surface or water. During target practice, be sure your backstop or shot-fall area is adequate.
9. Store firearms and ammunition separately beyond the reach of children and careless adults.
10. Avoid alcoholic beverages or other mood-altering drugs before or while shooting.

EXERCISE EXTREME CAUTION WHILE HANDLING ANY FIREARM

Heed and follow these additional gun handling warnings whenever using any firearm

- Be sure the barrel is clear of any obstruction before loading. Make it a habit to check the barrel every time before reloading.
- Never place a loaded gun into a vehicle or lean the gun against any object. The gun should be emptied and placed into a case when not in use.
- Keep the safety on at all times. Move the safety to the "FIRE" position only when you are sure that a shot is imminent.
- While loading or unloading, make sure the gun is pointed in a safe direction. Keep your finger off the trigger while operating the action.
- If your firearm fails to fire when the trigger is pulled, HANDLE WITH CARE!
- If you do not thoroughly understand the proper use and care of your gun, seek the advice of someone you know is competent.
- Do not abuse your hunting privileges. Be respectful of others and other people's property.



WARNING

Firearms must be handled responsibly and securely stored to prevent access by children and other unauthorized users. California has strict laws pertaining to firearms, and you may be fined or imprisoned if you fail to comply with them. Visit the web site of the California Attorney General at <https://oag.ca.gov/firearms> for information on firearm laws applicable to you and how you can comply.

Prevent child access by always keeping guns locked away and unloaded when not in use. If you keep a loaded firearm where a child obtains and improperly uses it, you may be fined or sent to prison.



ADVERTENCIA

Armas de juego deben de ser usadas responsablemente y almacenadas en un lugar seguro para prohibir el acceso a menores de edad y personas no autorizadas. California tiene leyes estrictas sobre la posesión de armas de juego y usted puede ser multado o encarcelado si no las cumple. Visite la pagina de internet de California Attorney General en <https://oag.ca.gov/firearms> para obtener información de las leyes de armas de juego que aplique a su caso y como puede cumplirlas.

Mantenga armas de juego lejos de menores de edad, manteniendo las armas descargadas y encerradas en un lugar seguro cuando no esten en uso. Si mantiene una arma de juego cardaga donde un niño tenga acceso y la utiliza incorrectamente, usted puede ser multado o encarselado.

PRINTED March, 2019
Weatherby, Inc.
1550 Yellowtail Dr Sheridan, WY 82801
www.weatherby.com