

Weatherby[®]

**PUMP SHOTGUN
PA459**

**OWNERS
MANUAL**

INTRODUCTION

Thank you for buying a Weatherby® firearm, and welcome to the family. We realize that you had many products to choose from and hope you feel as we do, that you purchased the finest quality production firearm on the market today.

When my late father started this company in 1945, it was as a means to turn his revolutionary vision of rifle design and cartridge performance into practical realities.

At the time, I'm sure he had little idea that the Weatherby® name would come to be one of the most respected and revered in the firearms industry. That is a level of respect we appreciate and you have our assurance that it will not be taken for granted.

This Owner's Manual is designed to assist you in learning how to use and care for your Weatherby® Pump Shotgun PA459. Please read it very carefully and follow all instructions and safety warnings.

In closing, let me assure you that we are committed to the hunter, shooter and sportsman; and delivering the uncompromising craftsmanship, performance and value that you require in all that we do.

Good Shooting!

- SAFETY - FIRST AND FOREMOST

FIREARMS ARE DANGEROUS WEAPONS, WHICH CAN CAUSE SERIOUS INJURY OR DEATH. WHEN USING ANY FIREARM, SAFETY MUST BE YOUR FIRST AND CONSTANT CONCERN.

READ AND UNDERSTAND THE FOLLOWING SAFETY RULES

KNOW YOUR FIREARM. Before assembling or using your Weatherby® Pump Shotgun PA459, read and understand the instructions and safety warnings contained in this Owner's Manual in order to learn how to use the firearm safely and correctly.

ALWAYS TREAT YOUR FIREARM AS IF IT WERE LOADED. Use the manual safety button as outlined in this manual. *Never move the safety to "FIRE" until YOU are ready to fire.*

KEEP THE MUZZLE POINTED IN A SAFE DIRECTION. The safe direction may be "up" on some occasions, and "down" on others. Never point the muzzle toward anything not intended as a target.

USE ONLY THE CORRECT AMMUNITION FOR YOUR FIREARM. Be sure to use only the correct gauge and length ammunition for your Weatherby® Pump Shotgun PA459 as stamped on the left side of the barrel.

ALWAYS UNLOAD YOUR FIREARM WHEN NOT SHOOTING. Never transport or store a loaded firearm in a vehicle or building. Unload your firearm before climbing a fence or obstruction, or entering a slippery area.

MAINTAIN YOUR FIREARM. Keep the barrel clean and free of obstructions. Clean your firearm regularly and have it inspected periodically to make sure it is mechanically correct and functioning properly. Worn or damaged parts can be dangerous.

DO NOT MAKE ADJUSTMENTS. Never make changes or alterations to your firearm. Use only Weatherby® parts. Do not make any adjustments to the trigger, or change the shape or size of the sear or other parts. Repair should be performed by a Weatherby® Authorized Service Center.

MAKE YOURSELF SAFE. Always wear shooting glasses. When target shooting or plinking, always use ear protection. If your firearm is equipped with a muzzle brake or is "ported", wear ear protection at all times. Never drink alcoholic beverages before or during shooting.

REMEMBER - FIREARMS SAFETY DEPENDS ON YOU!!

INDEX

- Introduction Page 1
- **Safety - First and Foremost** Page 2
- Index Page 3
- General Overview Page 5
- Manual Safety Operation Page 6
- Ammunition Page 7
- Choke Tube Page 8
 - Removing Choke Tube Page 8
 - Installing Choke Tube Page 8
 - Tightening Choke Tube Page 9
- Initial Assembly Instructions Page 9
- Operating Instructions Page 9
 - Opening the Bolt Page 9
 - Checking for and Clearing Bore Obstructions Page 9
 - To check the Barrel for Obstructions Page 10
 - Clearing a Bore Obstruction Page 10
 - Closing the Bolt Page 10
 - Loading the Shotgun Page 11
 - Firing the Shotgun Page 12
 - Unloading the Shotgun Page 13
- Disassembly Instructions Page 13
 - Disassembly of Barrel from Receiver Page 13
 - Disassembly of Bolt from Receiver Page 14
 - Disassembly of Trigger Assembly from Receiver Page 14
 - Removal of Choke Tubes Page 15
 - Removal of Magazine Blocker form Magazine Tube Page 15
- Cleaning Your Weatherby® Pump Shotgun PA459 Page 15
 - Cleaning the Bore Page 15
 - Cleaning the Outside of the Barrel Page 16
 - Cleaning Choke Tubes Page 16
 - Cleaning the Receiver Page 16
 - Cleaning the Bolt Page 17
 - Cleaning the Slide and Forearm Assembly Page 17
 - Cleaning the Magazine Page 17
 - Cleaning the Trigger Assembly Page 17
 - Cleaning the Forearm and Buttstock Page 17
 - Rust Prevention and Removal Page 17
- Assembly of Weatherby® Pump Shotgun PA459 Page 18
 - Assembly of Trigger Assembly to Receiver Page 18
 - Assembly of Bolt to Receiver Page 18
 - Assembly of Barrel to Receiver Page 18
 - Assembly of Magazine Blocker to Magazine Tube Page 18

• Storing Your Shotgun	Page 19
• Suggestions for Getting Top Performance from Your Weatherby® Pump Shotgun PA459	Page 20
• Parts Listing	Page 21
• Exploded View Diagram (complete gun)	Page 22
• Weatherby Service Policy	Page 25
• Ten Commandments of Firearms Safety	Page 26
• Exercise Extreme Caution	Page 26

**WEATHERBY®
PUMP SHOTGUN PA459**

The Weatherby® Pump Shotgun PA459 is a manually operated slide action shotgun capable of feeding and firing both target and hunting loads up to 3 inch.

With proper care as outlined in this manual, your Weatherby® Pump Shotgun PA459 should give you many years of dependable use and shooting pleasure.

The picture below shows the main parts of the Weatherby® Pump Shotgun PA459. Please refer to it when reading this manual. It will aid in understanding the terminology.

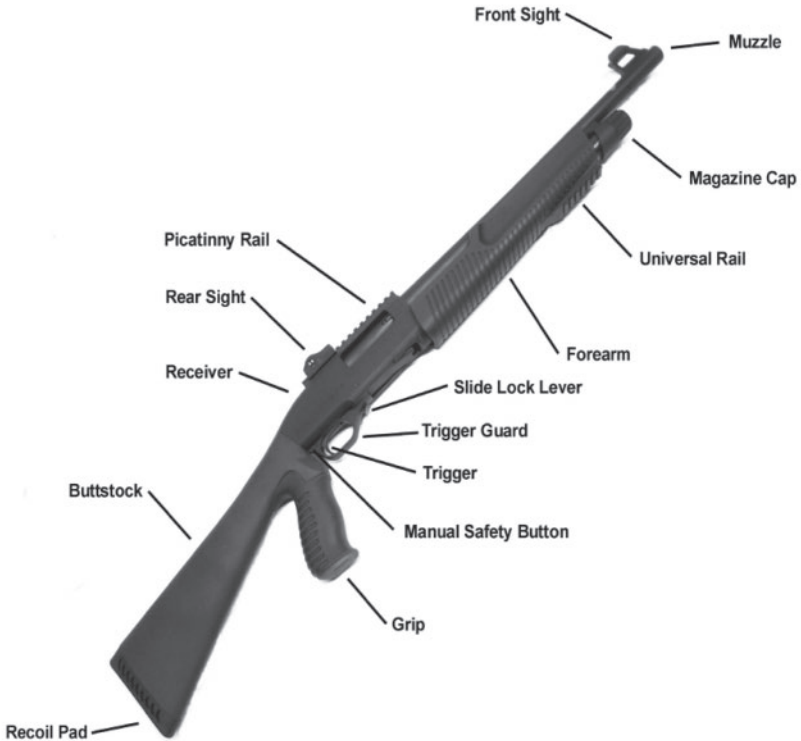


Fig. 1

LEAD WARNING!
DISCHARGING FIREARMS IN POORLY VENTILATED AREAS, CLEANING FIREARMS, OR HANDLING AMMUNITION MAY RESULT IN EXPOSURE TO LEAD OR OTHER SUBSTANCES KNOWN TO CAUSE BIRTH DEFECTS, REPRODUCTIVE HARM AND OTHER SERIOUS PHYSICAL INJURY. HAVE ADEQUATE VENTILATION AT ALL TIMES. WASH HANDS THOROUGHLY AFTER EXPOSURE.

MANUAL SAFETY OPERATION

The manual safety on the Weatherby® Pump Shotgun PA459 is a button-type safety located on the rear of the trigger guard. When in proper condition and correctly engaged in the "SAFE" position, the manual safety blocks the trigger and prevents accidental discharge under normal usage.

WARNING!!

Never depend on any mechanical safety mechanism or device to prevent the dangers of careless handling or pointing a firearm in an unsafe direction.

When manipulating the manual safety, keep all fingers outside the trigger guard. The shotgun will fire if the trigger is pulled when the safety is not in the "SAFE" position.

The safety should always be in the "SAFE" position except when the shotgun is intended to be fired.

Never Pull the trigger when the safety is in the "SAFE" position.

The manual safety can be moved between the "SAFE" and "FIRE" positions at any time, regardless of whether or not the shotgun is loaded or cocked. ***To minimize the possibility of accidental discharge, it is strongly recommended that the safety always be placed in the "SAFE" position except when the shotgun is intended to be fired.***

To engage the manual safety, push the safety button from left to right with your thumb or index finger until it stops and stays in place in the "SAFE" position. (Refer to Fig. 2)

To disengage the manual safety, push the safety button through the trigger guard from right to left with your thumb or index finger until it stops and stays in place in the "FIRE" position (a red mark will be visible on the safety button to the left of the trigger guard.)

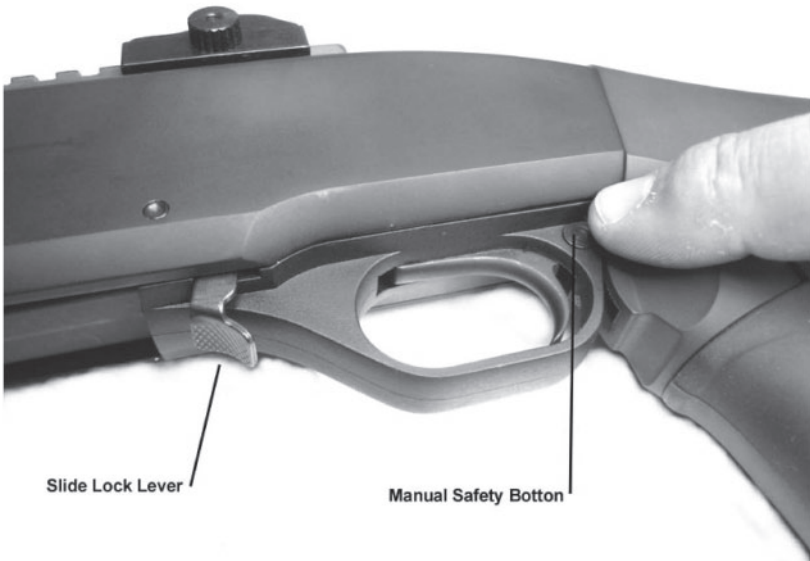


Fig. 2

AMMUNITION

Weatherby® Pump Shotgun PA459s' are chambered only for 12 ga. shells in 2¾ and 3 inch lengths, for which factory-loaded ammunition manufactured in accordance with U.S. industry standards is commercially available. Barrels marked for 3" shot shells can be safely used for both 2¾" and 3" shot shells.

Chokes are crafted from high-grade steel and are certified for steel shot through modified choke constrictions.

Exercise care to assure that you are using only the correct ammunition for your shotgun. Always make certain that the gauge indicated on the shot shell headstamp matches the gauge marked on the barrel of your shotgun, and that the length of the shell is correct for your shotgun.

WARNING!!

Use of incorrect or overloaded ammunition can result in death or serious injury and damage to your firearm due to excessive pressure. Even the strongest firearm can be "blown up" by excessive pressure. Use only factory-loaded ammunition of the correct gauge and length for your shotgun as marked on the shotgun's barrel.

The accidental chambering and discharge of shells of the wrong gauge or length can result in damage to your gun and possible injury to the shooter. Carry only the proper gauge ammunition with you when shooting. A 20 ga. shell will enter a 12 ga. chamber far enough to leave room for a 12 ga. shell behind it. A damaged gun and possible injury to the shooter will result if the barrel is fired. Also, a 3½ inch shell will chamber into a 3 inch chamber, but the crimp will unfold into the forcing cone, causing possible unsafe pressures.

Always wear shooting glasses and hearing protectors when shooting.

AMMUNITION NOTICE

WEATHERBY, INC. SPECIFICALLY DISCLAIMS RESPONSIBILITY FOR ANY INJURY OR DAMAGE WHATSOEVER OCCURRING IN CONNECTION WITH, OR AS A RESULT OF, OR IN THE CONNECTION WITH, THE USE OF FAULTY, OR NON-STANDARD, ANY 'REMANUFACTURED' OR HAND-LOADED OR RELOADED AMMUNITION, OR OF AMMUNITION OTHER THAN FOR WHICH THE FIREARM WAS ORIGINALLY CHAMBERED.

CHOKE TUBE

Each new Weatherby® Pump Shotgun PA459 is equipped with one interchangeable extended and ported choke tube (refer to Fig. 3).



Fig. 3

REMOVING CHOKE TUBE

Choke tubes may be removed with the barrel disassembled from the shotgun or with the barrel assembled to the shotgun by following these simple instructions. **(NOTE:** If removing choke tubes with the barrel removed from the shotgun, begin from instruction no. 3.)

When removing a choke tube from a barrel assembled to the shotgun, keep the muzzle of the shotgun pointed in a safe direction, and keep your fingers out of the trigger guard and away from the trigger at all times.

1. Move the manual safety button to "SAFE" position (*refer to Manual Safety Operation, page 6*), before removing a choke tube from a barrel assembled to a shotgun.
2. Unload the shotgun (*refer to Unloading the Shotgun, page 13*).
3. Grasp the choke tube with fingers or soft-jawed pliers
4. Turn the choke tube counter-clockwise until it emerges from the muzzle.

INSTALLING CHOKE TUBE

Choke tubes may be installed into a barrel disassembled from the shotgun or with the barrel assembled to the shotgun, by following these simple instructions. **(NOTE:** If installing choke tubes with the barrel removed from the shotgun, begin from instruction no. 3.

When installing a choke tube into a barrel assembled to the shotgun, keep the muzzle of the shotgun pointed in a safe direction, and keep your fingers out of the trigger guard and away from the trigger at all times.

1. Move the manual safety button to the "SAFE" position (*refer to Manual Safety Operation, page 6*), before installing a choke tube into a barrel assembled to a shotgun.
2. Unload the shotgun (*refer to Unloading the shotgun, page 13*).
3. Insert the threaded end of the choke tube into the muzzle of the barrel, and screw it into the barrel as far as possible with your fingers, turning it in a clock-wise direction, tighten snugly.

CAUTION: *To prevent damage to barrel or choke tube threads, do not over-tighten.*

TIGHTENING CHOKE TUBE

Choke tubes may loosen with repeated recoil, which may result in changes in point of impact or damage to choke tube or barrel threads with extended use. Check and tighten choke tubes frequently – before, after and during shooting – as follows:

Keep the muzzle of the shotgun pointed in a safe direction and keep your fingers out of the trigger guard and away from the trigger at all times:

1. Move the manual safety button to the "SAFE" position (*refer to Manual Safety Operation, page 6*).
2. Unload the shotgun (*refer to Unloading the Shotgun, page 13*).
3. Using your fingers or soft jawed pliers tighten the choke tube snugly, turning clock-wise.

CAUTION: *To prevent damage to barrel or choke tube threads, do not over-tighten.*

WARNING!! Loose choke tubes may cause bore obstructions due to "shaving" shot or preventing a wad from exiting the muzzle, which could result in injury or death to the shooter or bystanders and damage to the shotgun. Tighten choke tubes frequently – before, during and after shooting.

INITIAL ASSEMBLY INSTRUCTIONS

NOTE: The PA459 shotgun comes completely assembled from the factory.

OPERATING INSTRUCTIONS

OPENING THE BOLT

Keeping the muzzle of the shotgun pointed in a safe direction, and your fingers out of the trigger guard and away from the trigger at all times:

1. Move the manual safety button to the "SAFE" position (*refer to Manual Safety Operation, page 6*).
2. Unload the gun (*refer to Unloading the Shotgun, page 13*).
3. While resting the butt pad against your thigh, grasp the shotgun forearm firmly with one hand.
4. With the other hand depress the slide lock lever identified in Fig. 2 page 6 and pull the forearm rearward until the bolt stops at the rear of the receiver.

CHECKING FOR AND CLEARING BORE OBSTRUCTIONS

The barrel of your shotgun should always be checked for obstructions before assembly, before loading and **immediately** following any occurrence in the field, which might result in mud, dirt or other debris entering the bore.

WARNING!! Never attempt to check for or clear a bore obstruction by loading a shot shell into the chamber of the barrel and firing! If there is a bore obstruction this will cause excessive pressures which may result in death or serious injury and damage to your shotgun.

TO CHECK THE BARREL FOR OBSTRUCTIONS

Keeping the muzzle of the shotgun pointed in a safe direction, and your fingers out of the trigger guard and away from the trigger at all times:

1. Move the manual safety button to the "SAFE" position (*refer to Manual Safety Operation, page 6*).
2. Unload the shotgun (*refer to Unload the Shotgun, page 13*).
3. Disassemble barrel from receiver (*refer to Disassembly of Barrel from Receiver, page 13*).
4. Visually check the bore for obstructions by looking through the barrel from the breech end through the muzzle.

CLEARING A BORE OBSTRUCTION

1. Push a shotgun bore cleaning tool through the bore from the breech end until both the obstruction and the end of tool exit the muzzle.
2. If the obstruction cannot be easily cleared, contact a Weatherby Authorized Service Center or your local gunsmith.

CLOSING THE BOLT

Keeping the muzzle of the shotgun pointed in a safe direction, and your fingers out of the trigger guard and away from the trigger at all times:

1. Move the manual safety button to the "SAFE" position (*refer to Manual Safety Operation, page 6*).
2. Hold the shotgun with one hand and grasp the forearm firmly with the second hand.
3. Push the forearm all the way forward.

WARNING!! If a shot shell is in the receiver loading port or the barrel chamber and the forearm is then pushed forward closing the bolt and the manual safety is not in the "SAFE" position, the shotgun is now ready to fire. Do not touch the trigger until YOU are ready to fire.

WARNING!!

Use of incorrect or overloaded ammunition can result in death or serious injury and damage to your firearm due to excessive pressure. Even the strongest firearm can be "blown up" by excessive pressure. Use only factory-loaded ammunition of the correct gauge and length for your shotgun as marked on the shotgun's barrel.

The accidental chambering and discharge of shells of the wrong gauge can result in damage to your gun and possible injury to the shooter. Carry only the proper gauge ammunition with you when shooting. A 20 ga. shell will enter a 12 ga. chamber far enough to leave room for a 12 ga. shell behind it. A damaged gun and possible injury to the shooter will result if the barrel is fired. Also, a 3½-inch shell will chamber into a 3-inch chamber, but the crimp will unfold into the forcing cone, causing possible unsafe pressures.

Always wear shooting glasses and hearing protectors when shooting.

LOADING THE SHOTGUN

AMMUNITION NOTICE

WEATHERBY, INC. SPECIFICALLY DISCLAIMS RESPONSIBILITY FOR ANY INJURY OR DAMAGE WHATSOEVER OCCURRING IN CONNECTION WITH, OR AS A RESULT OF, OR IN CONNECTION WITH, THE USE OF FAULTY, OR NON-STANDARD, OR 'REMANUFACTURED' OR HAND-LOADED OR RELOADED AMMUNITION, OR ANY AMMUNITION OTHER THAN FOR WHICH THE FIREARM WAS ORIGINALLY CHAMBERED.

To Load the Magazine

Keeping the muzzle of the shotgun pointed in a safe direction, and your fingers out of the trigger guard and away from the trigger at all times:

1. Move the manual safety button to the "SAFE" position (*refer to Manual Safety Operation, page 6*).
2. Open the bolt (*refer to Opening the Bolt, Page 9*) and visually check to make sure no shell is in the receiver ejection port.
3. Close the bolt (*refer to Closing the Bolt, Page 10*).
4. Referring to Fig. 4, insert desired number of shot shells of the proper gauge and length (*refer to Ammunition, page 7*) into the magazine through the loading port by pushing each shell forward fully into the magazine until it is held in place by the shell latch.



Fig. 4

NOTE: Each Weatherby® Pump Shotgun PA459 is originally equipped with a magazine blocker to restrict the magazine capacity to 2 shot shells, in compliance with the Federal Migratory Bird Treaty Act, federal migratory bird hunting regulations and some state laws. Removal of this magazine blocker (refer to Removing Magazine Blocker, page 15) will result in a maximum magazine capacity of 5 2-3/4" shot shells or 4 3" shot shells.

WARNING!! Taking a Weatherby® Pump Shotgun PA459 into the field without the magazine blocker properly installed (refer to Installing Magazine Blocker, page 18) may result in citation and/or prosecution for violation of Federal Migratory Bird Treaty Act and/or federal regulations or state law.

To Feed a Shell from the Magazine into the Chamber

Keeping the muzzle of the shotgun pointed in a safe direction, and your fingers out of the trigger guard and away from the trigger at all times:

1. Visually check the manual safety button to make sure it is in the "SAFE" position (*refer to Manual Safety Operation, page 6*).
2. Press the slide lock lever identified in Fig. 2 page 6, to release the bolt and pull the forearm to the rear to stage the shell
3. Push the forearm all the way forward to cycle the shell into the chamber.

***WARNING!!* If the manual safety is not in the "SAFE" position, the shotgun is now ready to fire. Do not touch the trigger until YOU are ready to fire.**

To Single-load the Chamber without Shells in the Magazine

Keeping the muzzle of the shotgun pointed in a safe direction, and your fingers out of the trigger guard and away from the trigger at all times:

1. Move the manual safety button to the "SAFE" position (*refer to Manual Safety Operation, page 6*).
2. Open the bolt of the shotgun (*refer to Opening the Bolt, page 9*).
3. Drop a shot shell of the proper gauge and length (*refer to Ammunition, page 7*) directly into the ejection port, with the crimped end forward.
4. Push the forearm all the way forward (*refer to Closing the Bolt, page 10*) closing the bolt and feeding the shell into the chamber.

***WARNING!!* If the manual safety is not in the "SAFE" position, the shotgun is now ready to fire. Do not touch the trigger until YOU are ready to fire.**

FIRING THE SHOTGUN

Pulling the trigger fires the shotgun when a shot shell is in the chamber.

1. With a shot shell in the chamber of the barrel, and **keeping the muzzle of the shotgun pointed in a safe direction and your fingers out of the trigger guard and away from the trigger**, move the manual safety button to the "FIRE" position (*refer to Manual Safety Operation, page 6*).
2. Hold the recoil pad snugly to your shoulder and carefully point the muzzle of the shotgun at your intended target.
3. Squeeze (pull) the trigger with steadily increasing pressure until the shotgun fires.

***WARNING!!* Do not touch the trigger until you are actually ready to fire the shotgun, or an unintended discharge may occur, possibly resulting in death or injury to a bystander, or damage to an unintended target.**

4. Unless an immediate second shot is intended, immediately:
 - a. Remove your finger from the trigger;
 - b. Move the manual safety button to the "SAFE" position (*refer to Manual Safety Operation, page 6*);
 - c. Unload the shotgun (*refer to Unloading the shotgun, page 13*).

UNLOADING THE SHOTGUN

ALWAYS UNLOAD YOUR SHOTGUN IMMEDIATELY AFTER YOU FINISH SHOOTING.

Keeping the muzzle of the shotgun pointed in a safe direction, and your fingers out of the trigger guard and away from the trigger at all times:

1. Move the manual safety button to the "SAFE" position (*refer to Manual Safety Operation, page 6*).
2. Pull the forearm rearward to extract any shell from the chamber.
3. Push the forearm forward to feed and chamber the next shell.
4. Repeat steps 2 and 3 until the magazine is empty.
5. Visually confirm that there are no shot shells remaining in the magazine or the chamber.

DISASSEMBLY INSTRUCTIONS

DISASSEMBLY OF BARREL FROM RECEIVER

Keeping the muzzle of the shotgun pointed in a safe direction, and your fingers out of the trigger guard and away from the trigger at all times:

1. Move the manual safety button to the "SAFE" position (*refer to Manual Safety Operation, page 6*).
2. Unload the shotgun (*refer to Unloading the Shotgun, page 13*).
3. Close the bolt by moving the forearm forward.
4. Unscrew the magazine cap by turning it in a counter clock-wise direction until easily detached (*refer to fig. 5*).
5. Remove the barrel by grasping firmly and pushing forward (in the direction of the muzzle) until the barrel tang is clear of the receiver ring.



Fig.5



Fig. 6

DISASSEMBLY OF BOLT FROM RECEIVER

1. Pull forearm to rear to cock hammer.
2. Remove barrel (refer to *Disassembly of barrel from Receiver, page 13*)
3. Remove forearm by sliding the forearm assembly forward until the bolt assembly clears the receiver.
4. The bolt is exposed and available to lift off the slide assembly. The bolt must be aligned with the bolt retainer pin. Slide the bolt forward and rearward while lifting up to detach the bolt from the slide (refer Fig. 6).

DISASSEMBLY OF TRIGGER ASSEMBLY FROM RECEIVER

Caution: The hammer must be in the cocked position prior to removing the trigger assembly from the receiver. This should have been achieved by pulling the forearm to the rear prior to removal of the slide forearm assembly from the receiver. Keep the safety in the "ON" ("SAFE") position at all times while the trigger assembly is removed from the receiver. Do not pull the trigger while the trigger assembly is outside of the receiver.

1. Unload the Shotgun (refer to *Unloading the Shotgun page 13*) and disassemble the barrel from the receiver. (refer to *Disassembly of Barrel from Receiver, page 13*)
2. Move the manual safety button to the "SAFE" position (refer to *Manual Safety Operation, page 6*).
3. Pull forearm to rear then forward to make sure the hammer is cocked.
4. With a hammer and punch push the trigger frame pin through the receiver (refer to Fig. 7) until the pin is out far enough to be grasped by hand, and remove the pin from the receiver.
6. Pull the trigger assembly slightly forward and then straight out from the receiver.



Fig. 7



Fig. 8

REMOVAL OF CHOKE TUBE

Remove the choke tube as describe under Removing Choke Tubes, Page 8.

REMOVAL OF MAGAZINE BLOCKER

1. Unscrew the magazine cap by turning it in a counter clock-wise direction until easily detached (refer to fig. 5).
2. Pull the magazine blocker completely out of the hole in the end of the magazine tube (refer to Fig. 8).
3. Screw the magazine cap onto the end of the magazine tube until tight.

Further disassembly of the shotgun is not recommended. If further disassembly is required, contact a Weatherby Authorized Service Center or your local gunsmith.

CLEANING YOUR WEATHERBY® PUMP SHOTGUN PA459

Any firearm requires regular cleaning and periodic maintenance. To assure safe and reliable functioning of your Weatherby® Pump Shotgun PA459, it is very important that you clean it immediately after each use, and periodically during extended storage periods, to remove powder residue, dirt, dust and excess lubricant, and to prevent rust. During cleaning, inspect components to determine whether they are in proper working order.

A basic cleaning kit consists of proper-sized cleaning rod, bore brush (es) and patches; gun cleaning solvent, gun lubricant, and lint-free cloths. Additionally, toothbrushes, cotton swabs and pipe cleaners are very handy tools for cleaning away dirt in hard to reach places.

To properly clean your shotgun, it must first be disassembled (refer to *Disassembly Instructions, page 13*), the parts and components cleaned as discussed below, then reassembled (refer to *Assembly Instructions, page 19*).

WARNING!! Apply solvents and lubricants properly and sparingly. Do not spray or apply solvents or lubricants directly on ammunition. Solvents and lubricants may affect the propellant, causing it not to ignite, but the energy from the primer may be sufficient to propel the propellant, wad and shot column into the bore of the barrel, causing an obstruction, and resulting in damage to the shotgun and serious injury to the shooter and bystanders upon firing a subsequent shot shell.

CLEANING THE BORE

1. Apply gun cleaning solvent to a bore cleaning brush of the proper size attached to the cleaning rod.
2. Push the brush all the way through the barrel bore several times from the chamber end.
3. Insert the brush into the muzzle of the barrel only far enough to encounter the threads for the choke tube, and twist it several times.
4. With a clean patch inserted in the tip attached to the cleaning rod, push the rod all the way through the barrel bore from the chamber end until the cloth emerges from the muzzle. Remove the dirty patch and withdraw the rod.
5. Repeat step 4 as many times as needed until the patch is clean as it emerges from the muzzle.

6. Using a clean patch or lint-free cloth wrapped around the tip of your finger or similarly shaped object, remove all solvent from the muzzle and from the choke tube threads inside the barrel bore.
7. Insert a patch saturated with gun lubricant into the cleaning rod tip and push it through the bore from the chamber end. Remove the patch and withdraw the rod.
8. Insert a dry, clean patch into the cleaning rod tip and push it through the bore from the chamber end, to remove excess lubricant. Remove the patch and withdraw the rod.
9. Using a clean patch or lint-free cloth wrapped around the tip of your finger or similarly shaped object, apply a light coat of gun lubricant to the choke tube threads and muzzle of the barrel bore.

WARNING!! Excess lubrication in the bore or chamber of any firearm may create excessive chamber pressures or a partial bore obstruction, resulting in possible damage to the firearm and serious injury to the shooter and bystanders upon firing. BE SURE ALL EXCESS LUBRICANT HAS BEEN REMOVED.

CLEANING THE OUTSIDE OF THE BARREL

1. Using a patch or clean cloth saturated with cleaning solvent, wipe down all accessible surfaces of the barrel, rib and barrel ring. (A clean toothbrush may be handy for cleaning the corners and recesses of the rib and barrel ring.)
2. With a clean, dry, lint-free cloth, remove all cleaning solvent.
3. Using a patch or clean cloth, apply a light coat of gun lubricant to the outside surfaces of the barrel, rib and barrel ring, being careful to remove any excess lubricant.

CLEANING CHOKE TUBES

1. Apply gun-cleaning solvent to a bore cleaning brush of the proper size attached to the cleaning rod.
2. Push the brush all the way through the choke tube several times.
3. With a clean patch inserted in the tip attached to the cleaning rod, push the rod all the way through the choke tube until the patch emerges from the other end. Remove the dirty patch and withdraw the rod.
4. Repeat step 3 as many times as needed until the patch is clean as it emerges from the choke tube.
5. Insert a patch saturated with gun lubricant into the cleaning rod tip and push it through the choke tube. Remove the patch and withdraw the rod.
6. Insert a dry, clean patch into the cleaning rod tip and push it through the choke tube to remove excess lubricant. Remove the patch and withdraw the rod.
7. Using a patch or clean cloth saturated with cleaning solvent, wipe down the outside surfaces of the choke tube. (A clean toothbrush may be handy for cleaning the threads.)
8. With a clean, dry lint-free cloth, remove all cleaning solvent.
9. Using a patch or clean cloth, apply a light coat of gun lubricant to the outside surfaces of the choke tube, being careful to remove any excess lubricant.

CLEANING THE RECEIVER

1. Using a small lint-free cloth, clean the inside and outside of the receiver with gun-cleaning solvent and dry thoroughly with a clean cloth.
2. With a clean cloth or patch, apply a light coat of gun lubricant to all accessible surfaces of the receiver.

CLEANING THE BOLT

1. Using a small lint-free cloth, clean the inside and outside of the bolt assembly with gun-cleaning solvent; and dry thoroughly with a clean cloth. (A clean toothbrush may be handy for cleaning the recesses of the bolt)
2. With a clean cloth or patch, apply a light coat of gun lubricant to all accessible surfaces of the bolt.

CLEANING THE SLIDE AND FOREARM ASSEMBLY

1. Using a small lint-free cloth, clean the inside and outside of the slide and forearm assembly with gun-cleaning solvent; and dry thoroughly with a clean cloth. (A clean tooth brush may be handy for cleaning some areas of the slide and forearm assembly)
2. With a clean cloth or patch, apply a light coat of gun lubricant to all accessible surfaces of the slide and forearm assembly.

CLEANING THE MAGAZINE

1. Using a lint-free cloth, clean the outside of the magazine tube with gun-cleaning solvent; and dry thoroughly with a clean cloth.
2. With a clean cloth or patch, apply a light coat of gun lubricant to outside surface of the magazine tube.

CLEANING THE TRIGGER ASSEMBLY

Caution: Make sure the hammer is in the cocked position prior to removing the trigger assembly from the receiver (refer to *Disassembly of Trigger Assembly from Receiver, page 14*). This should have been achieved by pulling the forearm to the rear prior to removal of the slide and forearm from the receiver. Make sure the safety is in the "ON" ("SAFE") position (refer to *Manual Safety Operation, page 6*) while cleaning the trigger assembly. Do not pull the trigger while the trigger assembly is outside of the receiver.

1. Using a small lint-free cloth, clean the outside of the trigger assembly and with a clean toothbrush, brush the top surface of the trigger assembly mechanism with gun-cleaning solvent.
2. Dry all exposed parts and surfaces thoroughly with a clean cloth.

CLEANING THE FOREARM AND BUTTSTOCK

Usually, wiping the forearm and butt stock with a clean, dry cloth or a silicon cloth is all that is necessary. If you have been hunting or shooting in wet weather, allow the butt stock and forearm to dry thoroughly before storage.

RUST PREVENTION AND REMOVAL

During normal maintenance, after a thorough cleaning, allow 2-3 hours at room temperature for all metal parts to dry completely. Then apply a liberal amount of high grade Gun Oil to all metal parts, wiping off any excess with a clean dry cloth. If rusting does occur it may only be surface rust due to excessive moisture. You may be able to remove it by using a plastic bristle gun cleaning brush and gun cleaning solvent.

ASSEMBLY OF WEATHERBY® PUMP SHOTGUN PA459

ASSEMBLY OF TRIGGER ASSEMBLY TO RECEIVER

1. Push the trigger assembly into the receiver until the trigger assembly is flush with the bottom of the receiver.
2. Push the trigger assembly rearward to seat the trigger assembly against the receiver, aligning the trigger pin hole in the trigger assembly with the corresponding trigger pin hole in the receiver.
3. Press the trigger frame pin into the receiver until flush with the side of the receiver.

ASSEMBLY OF BOLT TO RECEIVER

1. Assemble the bolt assembly onto the slide and forearm assembly.
2. Place the tube of the slide and forearm assembly over the magazine tube and move the slide toward the receiver, aligning the bolt with the receiver as the bolt enters the receiver opening.
3. Slide the bolt into the receiver.

ASSEMBLY OF BARREL TO RECEIVER

Keeping the muzzle of the shotgun pointed in a safe direction, and your fingers out of the trigger guard and away from the trigger at all times

1. Visually examine the barrel to make sure there is no shot shell in the chamber or obstruction in the bore, and all surfaces are free of dirt and excess oil.
2. Move the forearm forward until the bolt protrudes slightly from the front of the receiver, (*refer to Fig. 9*).
3. Grasp the receiver and buttstock assembly with one hand, while grasping the barrel with your other hand.
4. Align the barrel shank on chamber end of the barrel with the bolt (refer to Fig.10) and the barrel support ring with the magazine tube.
5. The bolt must be in the forward position on the slide to allow the locking block to retract.
6. Insert the barrel shank into the receiver until the barrel stops against the receiver.
7. With the barrel fully seated, place the magazine cap on the magazine tube and turn clockwise until seated.

ASSEMBLY OF MAGAZINE BLOCKER TO MAGAZINE TUBE

1. Unscrew the magazine cap by turning it in a counter clock-wise direction until easily detached (refer fig. 5).
2. Push the magazine blocker completely into the hole in the end of the magazine tube (refer Fig. 8).
3. Screw the magazine cap onto the end of the magazine tube until tight.



Fig. 9



Fig. 10

WARNING!! If ammunition is present in the barrel's chamber, the receiver loading port or the magazine, the shotgun will be loaded, cocked and ready to fire by closing the bolt and pulling the trigger with the safety "Off" (in the "FIRE" position).

STORING YOUR SHOTGUN

Your Weatherby® Pump Shotgun PA459 may be stored fully assembled (*refer to Assembly of Weatherby® Pump Shotgun PA459, page 18*), or in "take down" condition.

If storing your shotgun fully assembled, release the pressure on the hammer spring as follows:

1. Make certain the shotgun is not loaded by following unloading procedures (*refer to Unloading the Shotgun, Page 13*).
2. Close the bolt (*refer to Closing the Bolt, page 10*)
3. ***Pointing the muzzle of the shotgun in a safe direction***, pull the trigger.

WARNING!! If ammunition is present in the barrel's chamber, the receiver loading port or the magazine, the shotgun will be loaded, cocked and ready to fire by closing the bolt and pulling the trigger with the safety "Off" (in the "FIRE" position).

Do not store your shotgun in a leather case, scabbard or foam lined gun case. Leather and foam can attract moisture and cause rusting.

For your safety, and the safety of others, store your shotgun with a lock or other safety device properly installed; and store your ammunition in a separate, locked location.

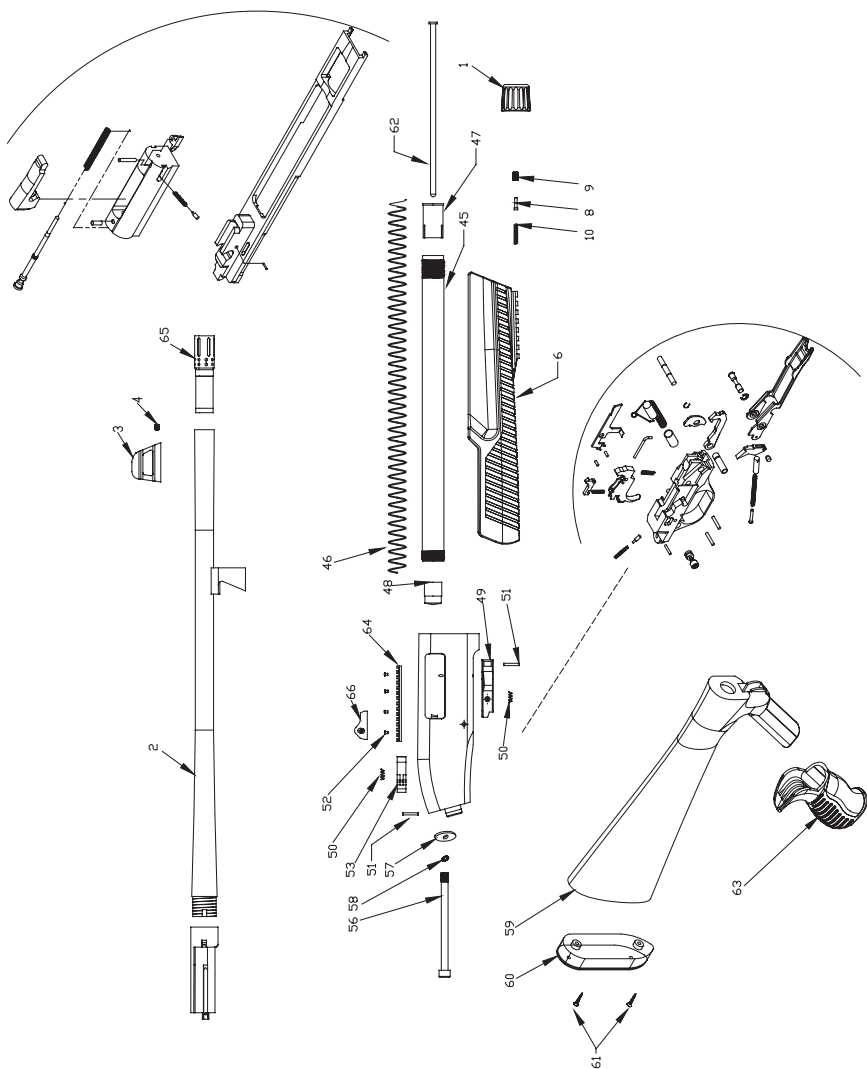
**SUGGESTIONS FOR GETTING TOP
PERFORMANCE FROM YOUR
WEATHERBY® PUMP SHOTGUN PA459**

1. Check and tighten choke tubes frequently -- before, during and after shooting. Choke tube threads may loosen with repeated recoil, which may result in changes in point of impact or damage to choke tube or barrel threads with extended use.
2. The accuracy of any firearm can vary depending upon the brand and type of ammunition used in it. If your shotgun does not exhibit the consistent point of impact and shot pattern you expect, you should try several brands and types of ammunition, after referring to point 1, above, before concluding that it is "inaccurate".
3. Consult the factory before returning any product for inspection or repair.

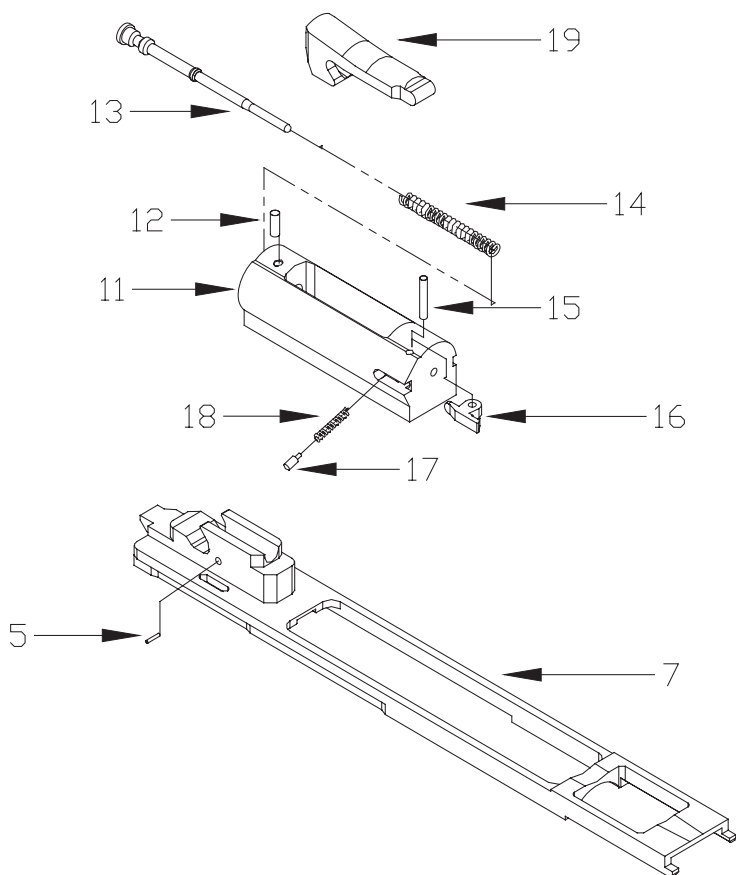
PARTS LIST

- 1) Magazine cap
- 2) Barrel
- 3) Front sight
- 4) Screw, front sight retaining
- 5) Pin, bolt retaining
- 6) Forearm
- 7) Slide arm
- 8) Magazine cap detent
- 9) Magazine cap detent retainer
- 10) Spring, Magazine cap detent
- 11) Bolt body
- 12) Pin, firing pin retaining
- 13) Firing pin
- 14) Spring, firing pin
- 15) Pin, extractor retaining
- 16) Extractor
- 17) Plunger, extractor
- 18) Spring, extractor
- 19) Locking block
- 20) Pin, trigger frame
- 21) "D" ring, trigger frame pin
- 22) Tube, trigger frame pin
- 23) Lifter
- 24) Lifter dog
- 25) Pin, lifter dog
- 26) Cap, lifter dog spring
- 27) Spring, lifter dog
- 28) Slide lock lever
- 29) Spring, slide lock lever
- 30) Pin, lifter dog spring guide
- 31) Pin, lifter pivot
- 32) Hammer
- 33) Cap, hammer spring
- 34) Spring, hammer
- 35) Pin, trigger pivot
- 36) Trigger
- 37) Spring, trigger
- 38) Sear
- 39) Pin, trigger stop
- 40) Spring, sear
- 41) Safety
- 42) Detent, safety
- 43) Spring, safety detent
- 44) Pin, safety spring retaining
- 45) Magazine tube
- 46) Spring, magazine
- 47) Magazine spring retainer
- 48) Magazine spring follower
- 49) Feed latch
- 50) Spring, latch (2)
- 51) Pin, latch pivot (2)
- 52) Screws, Picatinny rail (4)
- 53) Shell stop
- 55) Trigger guard housing
- 56) Bolt, stock
- 57) Washer, flat stock bolt
- 58) Washer, lock stock bolt
- 59) Stock
- 60) Recoil pad
- 61) Screw, recoil pad (2)
- 62) Magazine blocker
- 63) Pistol grip sleeve
- 64) Picatinny rail
- 65) Choke tube
- 66) Rear sight assembly
- 67) Pin, sear (2)
- 68) Lifter latch
- 69) Lifter latch connector
- 70) Hammer spring cup
- 71) Pin, lifter stop
- 72) Clip, lifter pivot pin

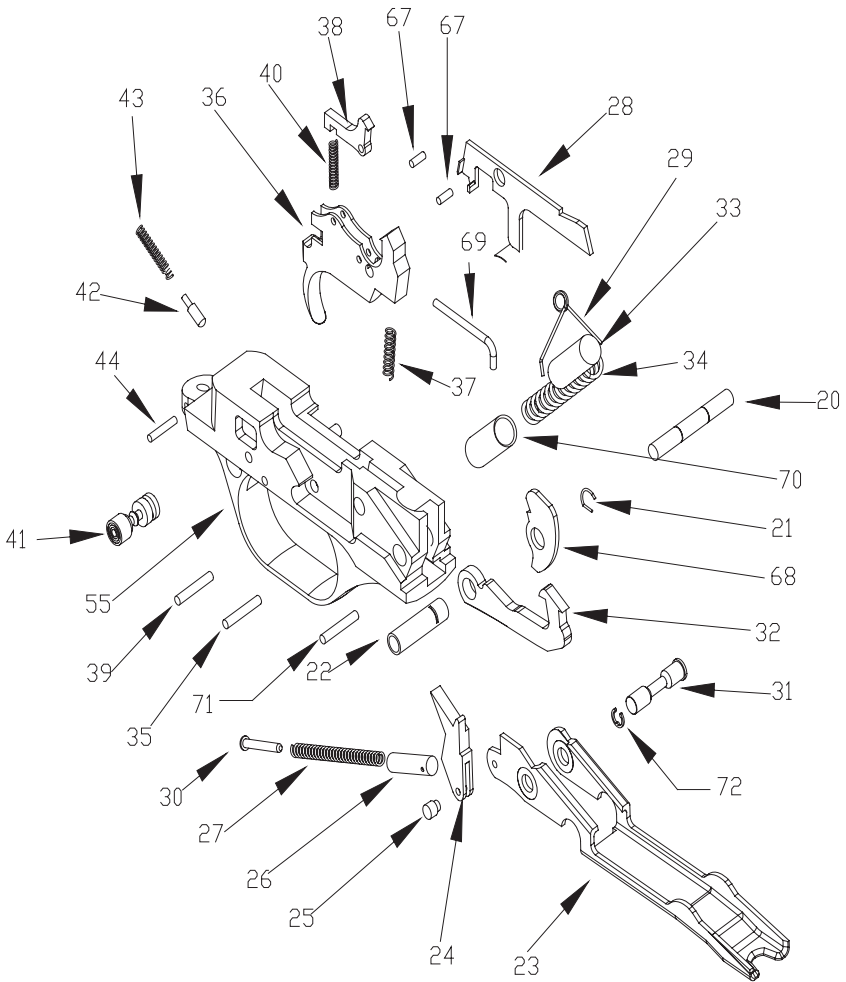
EXPLODED VIEW DIAGRAM



EXPLODED VIEW DIAGRAM



EXPLODED VIEW DIAGRAM



WEATHERBY SERVICE POLICY

Weatherby is a name that has been synonymous with quality firearms for over 50 years. All Weatherby® firearms are manufactured of the finest materials and have been thoroughly inspected and tested in every phase of production. Because of the confidence we have in our products, Weatherby does not provide a written warranty, but rather stands behind its reputation for customer service and satisfaction.

Simply stated, we will consider requests for service or repair of Weatherby® firearms without charge on a case by case basis. A determination will be made taking into consideration such things as the age and condition of the firearm, and the circumstances surrounding its malfunction or other problem.

Weatherby, Inc. will not be responsible for defects resulting from ordinary wear and tear, alterations by unauthorized persons, accidents, misuse, use of incorrect or other than factory loaded ammunition, or failure to provide reasonable and normal maintenance.

Should any Weatherby® firearm require service or repair under this service policy, it must be delivered transportation prepaid to a Weatherby Authorized Service Center (names and addresses of which can be supplied by Weatherby upon request). The product must be accompanied by a proof of purchase and a letter explaining the problem. It should also be insured by the owner at the time of shipment, as Weatherby, Inc. can accept no responsibility for damage or loss in transit. Weatherby will pay all charges to return the product to the owner if it is accepted for service or repair without charge under the provisions of this service policy. Weatherby, Inc. also reserves the right to repair or replace any product at our sole discretion.

WEATHERBY, INC. SHALL NOT BE LIABLE FOR ANY CONSEQUENTIAL, INCIDENTAL OR CONTINGENT DAMAGES.

TEN COMMANDMENTS OF FIREARMS SAFETY

Prevention is the solution to hunting and shooting casualties. Every hunting and shooting accident that has occurred could have been prevented. Most such accidents happen as a result of people ignoring basic firearms safety rules. Prevention involves knowing and obeying those basic safety rules. Responsible, knowledgeable, and safe hunters and shooters will learn, remember and follow these simple rules:

1. Treat every firearm with the same respect due a loaded firearm.
2. Control the direction of your firearm's muzzle. Carry your firearm safely, keeping the safety on until ready to shoot. Keep your finger off the trigger until ready to shoot.
3. Identify your target and what is beyond it. Know the identifying features of the game you hunt or the targets you intend to shoot.
4. Be sure the barrel and action are clear of obstructions and that you have only ammunition of proper size for the firearm you are carrying.
5. Whenever not in use, keep your firearm unloaded and store all ammunition in a separate location.
6. Never point a firearm at anything you do not want to shoot. Avoid all horseplay with a firearm.
7. Never climb a fence or tree, or jump a ditch or log, with a loaded firearm. Never pull a firearm toward you by the muzzle.
8. Never shoot at a flat hard surface or water. During target practice, be sure your backstop or shot-fall area is adequate.
9. Store firearms and ammunition separately beyond the reach of children and careless adults.
10. Avoid alcoholic beverages or other mood-altering drugs before or while shooting.

EXERCISE EXTREME CAUTION

Heed and follow these additional gun handling warnings whenever using any firearm

- Be sure the barrel is clear of any obstruction before loading. Make it a habit to check the barrel every time before reloading.
- Never place a loaded gun into a vehicle or lean the gun against any object. The gun should be emptied and placed into a case when not in use.
- Keep the safety on at all times. Move the safety to the "FIRE" position only when you are sure that a shot is imminent.
- While loading or unloading, make sure the gun is pointed in a safe direction. Keep your finger off the trigger while operating the action.
- Treat every gun as if it is loaded - it may be!
- If you do not thoroughly understand the proper use and care of your gun, seek the advice of someone you know is competent.
- Do not abuse your hunting privileges. Be respectful of others and other people's property.

Weatherby®

**PUMP SHOTGUN PA459
OWNER'S MANUAL**

WEATHERBY® is a registered trademark of Weatherby, Inc



WARNING

Children are attracted to and can operate firearms that can cause severe injuries or death.

Prevent child access by always keeping guns locked away and unloaded when not in use. If you keep a loaded firearm where a child obtains and improperly uses it, you may be fined or sent to prison.



ADVERTENCIA

A los niños los atraen las armas de fuego y las pueden hacer funcionar. Ellos pueden causarse lesiones graves y la muerte.

Evite que los niños tengan acceso a las armas de fuego guardándolas siempre con llave y descargadas cuando no las esté utilizando. Si usted tiene un arma de fuego cargada en un lugar en que un niño tiene acceso a ella y la usa indebidamente, le pueden dar una multa o enviario a la cárcel.

PRINTED November 2009

Weatherby, Inc.

1605 Commerce Way • Paso Robles, CA 93446 • (805) 227-2600

www.weatherby.com