



INSTRUCTION MANUAL
MANUAL DE INSTRUCCIONES
NÁVOD NA POUŽITÍ
BEDIENUNGSANLEITUNG
MODE D'EMPLOI

CZ 457

Before handling the firearm read this manual carefully and observe the following safety instructions.

Improper and careless handling of the firearm could result in accidental discharge and cause injury, death or damage to property. The same repercussions can be caused by unauthorized modifications or adjustments, corrosion, or use of non-standard or damaged ammunition. In these cases the manufacturer shall not be held responsible in any manner whatsoever for the resulting consequences.

Before leaving the factory the firearm was tested, inspected and packaged in accordance with company policy. Ceska zbrojovka a.s. cannot accept responsibility for product handling whilst in transit after dispatch from the factory. Therefore, examine the firearm carefully upon receipt to ensure that it is unloaded and undamaged.

This instruction manual should always accompany the firearm in the event of loan or further sale.

CONTENTS

SAFETY INSTRUCTIONS	2	MAINTENANCE INSTRUCTIONS	8
THE RIFLE DESCRIPTION AND TERMINOLOGY	4	Stripping for Cleaning - Disassembly	8
OPERATING INSTRUCTIONS	5	Cleaning the Rifle	8
Ammunition	5	Cleaning the Barrel and the Cartridge	9
Removing the Magazine	5	Chamber	9
Loading the Magazine	5	Cleaning of Other Parts	9
Loading of the Rifle	6	Preservation of Rifle	9
Unloading of the Rifle	6	Waste Management	9
The Safety and its Operation	7	LIST OF PARTS	10
Cocking Indicator Operation	7	TROUBLESHOOTING	11
Trigger Adjustment	7	LIST OF ILLUSTRATIONS	12
Sight Adjustment	7		
Rifle Scope	8		

SAFETY INSTRUCTIONS

Always follow the safety instructions for your safety and the safety of others.

1. Always handle your firearm as if it were loaded.
2. Never point the firearm at anything you do not intend to shoot at. Also never point a firearm at anybody even in fun.
3. Never take anyone's word that the firearm is unloaded.
4. Always make sure that your firearm is not loaded before laying it down, or handing it over to another person.
5. Always store the firearm unloaded with the striking mechanism released.
6. Never abuse the firearm by using it for any purposes other than shooting.
7. Never leave a firearm unattended.
8. Prior to loading the firearm ensure the barrel, chamber and action are clean and clear of obstructions. If the firearm becomes excessively dirty during firing clean it immediately. Always clean the firearm after use.
9. Do not shoot the firearm, unless you are certain about the ammunition you are using. Do not use unmarked or hand-loaded ammunition from an unknown source, ammunition with a cracked, deformed or dented case or with a damaged bullet. Reloading is an expert activity and incorrectly reloaded ammunition may be extremely dangerous. It may result in heavy damage or destruction of the firearm and serious injury or death of the shooter or other persons. Always use clean and dry original high quality commercially manufactured ammunition, which corresponds to the caliber of the firearm.
10. Never drink alcohol or take drugs before and during shooting.
11. Whenever practical always wear safety glasses and ear protection while shooting.
12. Always keep the safety on when the firearm is loaded with a cartridge in the chamber, until you are ready to fire. Keep the firearm pointed in a safe direction when disengaging the safety.
13. Ensure that there is nobody interfering in the way of the ejected cartridge.

14. Never pull the trigger or put your finger within the trigger guard unless you are aiming at a target and ready to fire.
15. Always make absolutely sure of your target and the area behind it before pulling the trigger. The bullet can pass through or past the target up to several hundred meters.
16. Never shoot at a hard surface such as rock, or a liquid surface such as water.
17. Never fire near an animal unless it is trained to withstand the noise.
18. Never indulge in "horseplay" while holding the firearm.
19. Failure to fire: In case it fails to fire, hold the firearm keeping it pointed in a safe direction and wait 30 seconds. If a hangfire (slow ignition) has occurred, the cartridge will fire within 30 seconds. If the cartridge does not fire, eject the cartridge and examine it. If the firing pin indent on the cartridge is light, or non-existent, have the firearm examined by a competent gunsmith.
20. Always make sure your firearm is not loaded before cleaning, storing or travelling. Remove any unused ammunition from the firearm and store it in compliance with the law.
21. Always keep and store your firearm and ammunition in separate secure locations out of reach and sight of children and unauthorized persons. Always protect the ammunition from sources of heat and open fire.
22. Never alter any parts of your firearm; the safety and proper function of your firearm could be seriously affected.
23. Always be aware that corrosion, use of damaged ammunition, dropping the firearm on hard surfaces or other "rough treatment" can cause damage that is not necessarily obvious at first sight. If something like this happens, have the firearm examined and tested by a competent gunsmith.

THE RIFLE DESCRIPTION AND TERMINOLOGY

The names of basic rifle parts used in this Instruction Manual are presented in Fig. 1 on the inner side of the cover. Nomenclatures of all CZ 457 parts are presented in the section *List of Parts*.

The CZ 457 is a bolt-action rimfire rifle intended for hunting and sporting purposes, with the possibility to adjust the pull of the trigger. The manual safety prevents the gun from firing. Dovetail grooves for a scope mount are provided on the receiver. Several versions are available. The characteristic features of all the versions include the following:

- Modular system allowing barrel replacement and calibre change at the highest user level
- Anti-corrosion coating
- Handle rotation shortened to 60 degrees for faster reloading
- New adjustable trigger mechanism
- Positive safety
- Cocking indicator (indicator of cocking of the striking mechanism)
- Pulling the bolt out using a dedicated controller
- The possibility to pull the bolt out even with the safety engaged (safe handling when unloading)
- New ergonomic stocks
- Bedding in wooden stocks for improved accuracy
- Attention paid to slightest details (e.g. the trigger guard, magazine frame, bolt lock)
- Barrels and magazines are compatible with the CZ 455 (same interface)
- Lower striker weight by ca. 2/3 as opposed to the CZ 455 (less shocks during firing)

OPERATING INSTRUCTIONS

Ammunition

Always use ammunition in an allowable production design which is in compliance with standards applicable for ammunition manufacturers and is approved by the CIP (Permanent International Commission for Firearms Testing) or SAAMI (Sporting Arms and Ammunition Manufacturers' Institute Inc. of the United States). The use of other cartridges could damage the firearm or cause injury to the shooter. When using factory-made ammunition with standard speed, the use of firearms produced by Česká zbrojovka a.s. is safe. Check the ammunition you are going to use to make sure that it corresponds to the caliber of your firearm.

For CZ 457 cal. .22 LR MATCH models (e.g. version CZ 457 Varmint MTR) Match ammunition is recommended for best firing accuracy. In order to improve accuracy, this cartridge chamber has its dimensions reduced to a minimum allowed by the CIP standard. Using non-standard ammunition (high power, longer case, longer range, etc.) is therefore not recommended. Using non-standard ammunition may cause faulty operation or damage the firearm.

The manufacturer of the firearm does not recommend excessive dry firing (firing without ammunition). It is advisable to use snap caps for dry training as they are intended for this purpose.

Removing the Magazine

Press the magazine catch located at the front of the magazine, in a rearward direction (Fig. 2), and remove the magazine (single-shot adapter) from the firearm.

Loading the Magazine

With the open end uppermost, grasp the magazine in one hand. Place a cartridge on the magazine follower with the base just forward of the retaining lips. Press the cartridge down and back until it touches the rear edge of the magazine. Place the next cartridge on top of the previous cartridge and slide in as previously described.

Loading of the Rifle

ALWAYS MAKE SURE THE RIFLE IS POINTED IN A SAFE DIRECTION WHEN LOADING!

Insert a loaded magazine into the rifle until it is physically secured by the magazine catch. Grip the rifle with the left hand by its fore-end, place the buttplate against your body and grip the bolt handle with the other hand. Open the bolt by raising the bolt handle and pulling it to the rear until it stops (Fig. 3). Then push the bolt continuously to its forward position again and by rotating the bolt handle in a downward direction close the bolt action. This procedure inserts the cartridge into the chamber and cocks the striker mechanism. The rifle is now ready to fire. If you do not intend to fire immediately ensure the firearm safety is applied as described further in the section *Safety and its Operation*.

When using a single-shot adapter, keep it inserted in the rifle, open the bolt and place the cartridge on the follower. Then continue in the same manner as when using the magazine. The single-shot adapter is intended for the highest accuracy levels of shooting, as it protects the bullets against damage during the feeding of cartridges from the magazine.

Unloading of the Rifle

ALWAYS MAKE SURE THE RIFLE IS POINTED IN A SAFE DIRECTION!

- Remove the magazine in the manner already described
- Open the bolt and check to ensure that the cartridge has been extracted from the chamber and ejected
- Close the bolt
- Depress the trigger (dry fire)

Note: The manufacturer does not recommend frequent dry firing of the gun. So-called "dry-fire training" should be carried out with discharge cartridges that are designed for this purpose.

The Safety and its Operation

Shift the safety backward to its "Safety-On" position (Fig. 4) until the white dot is uncovered. This procedure locks the trigger mechanism, and so, it is not possible to discharge a cartridge.

Cocking Indicator Operation

Cocking of the striking mechanism is signalled by a cocking indicator. When the striker is cocked (activated), its rear part protrudes over the plug (Fig. 5). This protrusion can be checked both by sight and by touch.

Trigger Adjustment

The trigger mechanism enables setting of trigger pull between 8 and 15N (trigger pull is set by the manufacturer in a safe range of 11.1–14 N) and the length of trigger travel before and after firing. The adjustment of trigger pull and trigger travel length after firing (Fig. 6) is carried out after the removal of the stock by means of the setting screws A (trigger pull) and B (trigger travel after firing). Adjustment of the trigger travel length before firing can be carried out using the setting screw C situated in the trigger (Fig. 7).

Sight Adjustment

The CZ 457 rimfire rifle enables rear sight adjustment for windage and front sight adjustment for elevation. The process of adjustment of the front and rear sights depends on their type. The sights have been zeroed at 50 m in the factory.

The folding rear sight of the CZ 457 rimfire rifle is provided with marks corresponding to 25 m for the shooting distance from 25 to 200 m. When you press the button, use the slider to set the required shooting distance (the distances are only indicative and may vary depending on the ammunition used). Correction for windage can be carried out by unscrewing the screw on the side of the rear sight plate to which you wish to shift the mean point of impact to and by tightening the screw on the other side (Fig. 8). Elevation adjustment of the front sight can be carried out using the pair of front screws (Fig. 9).

Rifle Scope

The rifle scope is to be installed on an 11 mm dovetail on the receiver using rifle scope mounts or via a Weaver rail. Mounting of the riflescope and sighting-in of the rifle should be entrusted to a qualified gunsmith's workshop.

MAINTENANCE INSTRUCTIONS

Stripping for Cleaning - Disassembly

1. Remove the magazine.
2. Shift the safety to its "Off" position.
3. Open the bolt, and depressing the bolt catch (Fig.10) and pull the bolt out of the gun.

No further disassembly is needed for routine maintenance. When a great number of cartridges has been fired it is advisable to hand the gun to a competent gunsmith for cleaning of the bolt.

CAUTION:

Do not strip your firearm any further. If you assume that your firearm requires adjustment or repair, entrust this work to a competent gunsmith in a specialized workshop!

Cleaning the Rifle

Clean the Rifle

- each time you use it
- if you get your rifle wet
- as soon as possible after shooting
- at least once a year in a temperate climate
- as often as once a month in a tropical climate, or other demanding environments

Cleaning the Barrel and the Cartridge Chamber

If the firearm has not been fired or if only a few cartridges have been fired clean the barrel and cartridge chamber with a clean patch attached to the cleaning rod. Repeat the cleaning, changing patches, until the last patch comes out clean.

When the barrel is very dirty, apply a gun cleaning solution using cleaning brush. Let the solvent act for about 10 minutes (this time may vary depending on the solvent agent being used). Then thoroughly scrub out the barrel. Subsequently, dry the barrel and cartridge chamber with a clean patch and check that all powder residues, or fouling have been removed. If necessary repeat this procedure. The cleaning rod and the brush must be inserted into the barrel from the chamber, to prevent wear or damage to the muzzle. Pass the brush all the way through the barrel before reversing the movement. If you try to change directions with the brush in the barrel, the brush could stick.

Cleaning of Other Parts

Other parts of the rifle can be cleaned with a dry cloth, old toothbrush, copper bristle brush or a wooden scraper. Preserving oil or paraffin oil can be used for proper cleaning. Never use the agent designed for barrel bore cleaning! These solutions could remain in the joints, and after some time could cause corrosion. Check that cloth particles or brush bristles have not become lodged in any part of the rifle. The maintenance of the stock can be carried out with a dry cloth or by some furniture-polishing product.

Preservation of Rifle

When the barrel, chamber, and all accessible parts are clean and dry, wipe these parts with a cloth soaked in gun oil or apply an oil in spray form. Remove all excess oil. Before shooting always pull through the barrel with dry patch. At very low temperatures remove the oil from all accessible parts or apply a lubricant especially for these conditions. Use thick preserving agents such as preserving grease only for long-term storage in severe climatic environments, and remove it thoroughly before use from all parts of the firearm.

Waste Management

When used properly, the materials used in the product and its packaging have no adverse effects on human health or the environment. When disposing of the product or its packaging, all metal parts (steel and non-ferrous metals), plastics, wood, paper and cardboard should be stored separately in collecting containers intended specifically for that purpose.

INSTRUCTION MANUAL

LIST OF PARTS

1 Barrel *	23 Magazine Housing Front Screw	48 Trigger Pin	71 Butt Plate *
2 Barrel Screw (2x)	24 Magazine Housing Rear Screw	49 Trigger Setting Screw (C)	72 Butt Plate Screw (2x)
3 Front Sight *	25 Magazine Catch	50 Nylon Thread of Trigger Setting Screw	73 Front Connecting Screw
4 Front Sight Cover *	26 Magazine Catch Spring	51 Trigger Dead-Travel Screw (B)	74 Rear Connecting Screw
5 Front Sight Base *	27 Magazine Catch Pin	52 Nylon Thread of Trigger Dead Travel Screw	75 Trigatti Sling Swivel Holder (2x) *
6 Front Sight Base Screw *	28 Bolt Catch	53 Trigger Pull Setting Screw (A)	76 Safari Sling Swivel Holder (2x) *
7 Front Sight Setting Screw (A) *	29 Bolt Catch Spring	54 Trigger Pull Setting Screw Spring	77 Magazine *
8 Front Sight Setting Screw (B) *	30 Bolt Catch Pin	55 Trigger Pull Screw Nut	
9 Front Sight Pin *	31 Bolt Guide	56 Safety	Spare parts assemblies:
10 Rear Sight Base *	32 Bolt	57 Safety Spring	M Front Sight
11 Rear Sight Base Screw (2x) *	33 Extractor	58 Trigger Bar	H1 Rear sight with base
12 Rear Sight Leaf *	34 Holder	59 Trigger Bar Spring	H2 Rear sight without base
13 Rear Sight Leaf Spring *	35 Extractor Spring	60 Safety Yoke Ring	V Magazine Housing
14 Rear Sight Plate *	36 Striker	61 Trigger Bar Pin	Z Bolt
15 Rear Sight Screw (2x) *	37 Bolt Handle	62 Safety Yoke Ring (3x)	S Trigger mechanism
16 Slider	38 Bolt Handle Ball	63 Cam	
17 Rear Sight Button *	39 Cocking Indicator	64 Cam Washer	
18 Rear Sight Button Spring *	40 Cocking Indicator Spring	65 Cam Washer Screw	
19 Magazine Housing Insert	41 Striker Spring	66 Cam Pin	
20 Magazine Housing Insert Pin	42 Lock	67 Frame	
21 Receiver	43 Lock Pin	68 Trigger Guard	
22 Magazine Housing	44 Trigger Mechanism Holder	69 Stock *	
	45 Holder Screw	70 Stock Insert *	
	46 Holder Screw Washer		
	47 Trigger		

The parts marked * differ depending on the model of the rifle, or as the case may be in some versions are entirely missing.

TROUBLESHOOTING

If your firearm is properly used and maintained, malfunctions will rarely occur. However, if such a situation does occur please observe the following instructions.

CAUTION - if a malfunction occurs, the possibility of an accidental discharge is substantially higher. For this reason, when clearing malfunctions, follow the above mentioned Safety Instructions. Keep the rifle pointed in a safe direction, do not turn the rifle against your body or anyone else's. Do not place your hands in front of the barrel!

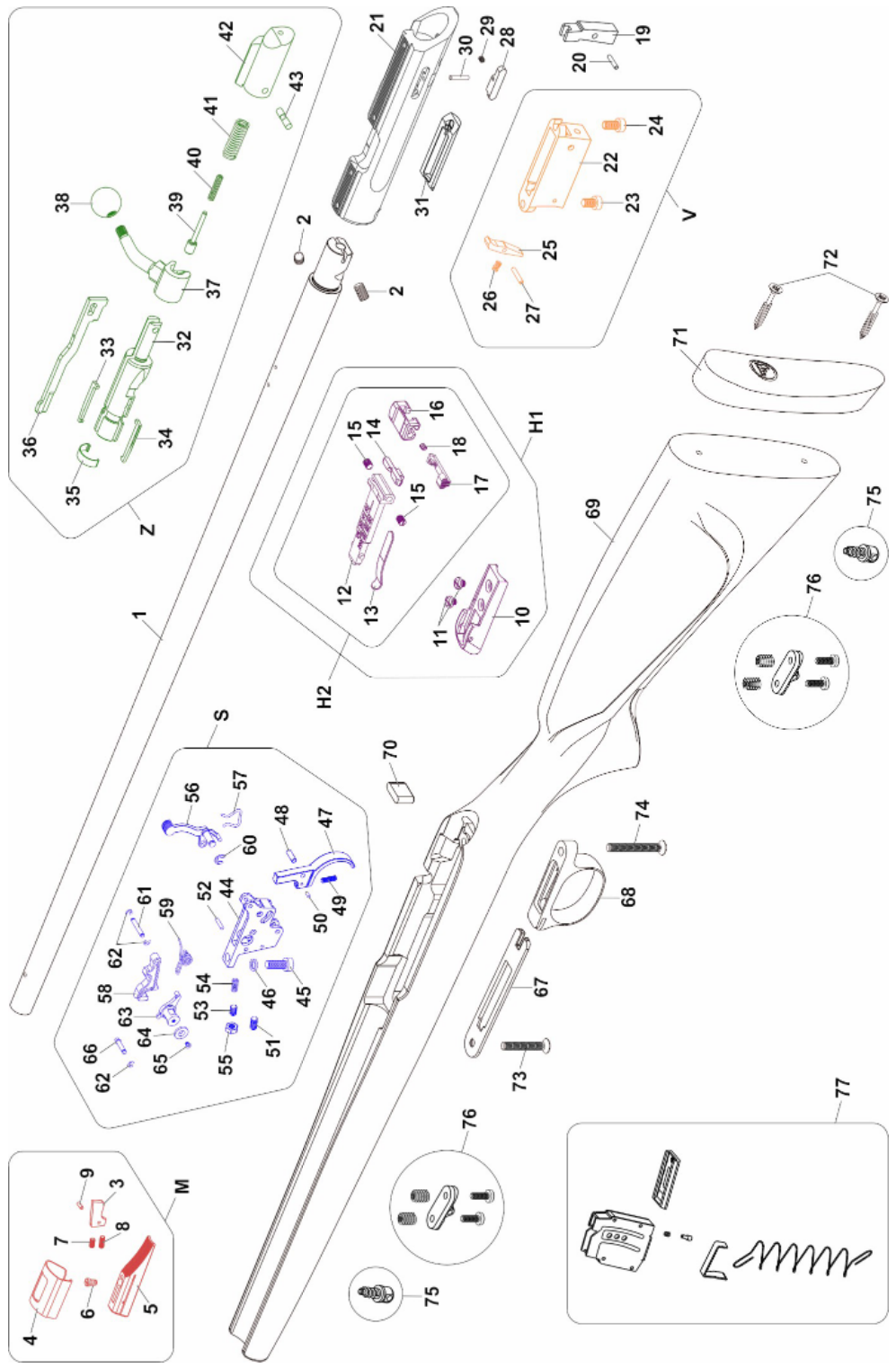
Malfunction	Possible Cause	Remedy
A cartridge has not been fed into the chamber	Magazine is not fully inserted or is damaged. The rifle or cartridges are fouled (dirty).	Insert magazine properly or change magazine. Clean the rifle and cartridges and wipe them dry or as the situation dictates, slightly lubricate.
Misfire	Defective cartridge. Firing Pin hole is fouled (dirty) or improper lubricant was used in low temperatures conditions.	Follow the Safety Instructions according to point 19. Disassemble and clean the firing pin or use low temperature lubricant.
A shot sounds "weak"	The cartridge has been activated but no powder load was inside the cartridge case.	Unload the rifle and check that the bullet has not obstructed the barrel. Any subsequent shot could cause damage to the barrel!
The spent case has not been ejected	Chamber, extractor or ammunition are dirty or unsuitable lubricant was used in low temperatures.	Clean and wipe the rifle dry or eventually lubricate lightly with a suitable agent. Use clean and new ammunition.

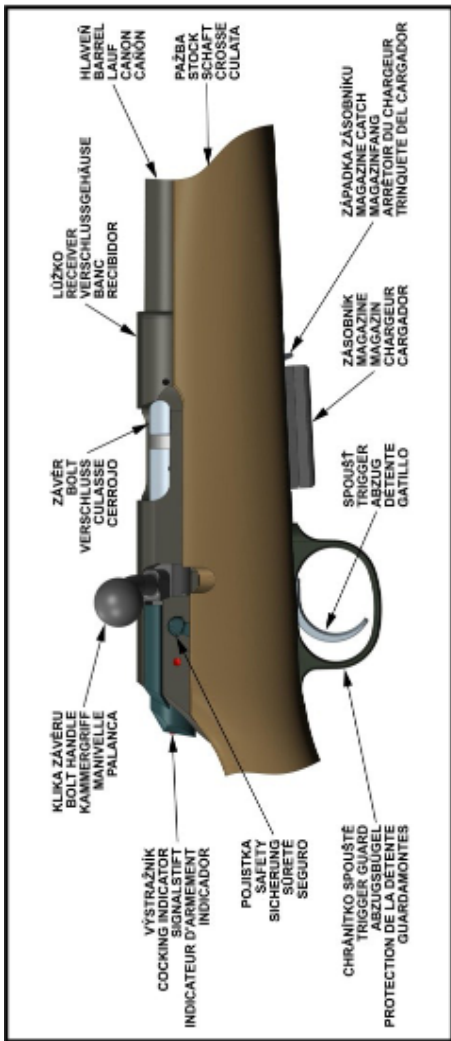
If you are not able to clear the malfunction in a manner described above, entrust the firearm to a competent gunsmith for inspection and repair.

LIST OF ILLUSTRATIONS

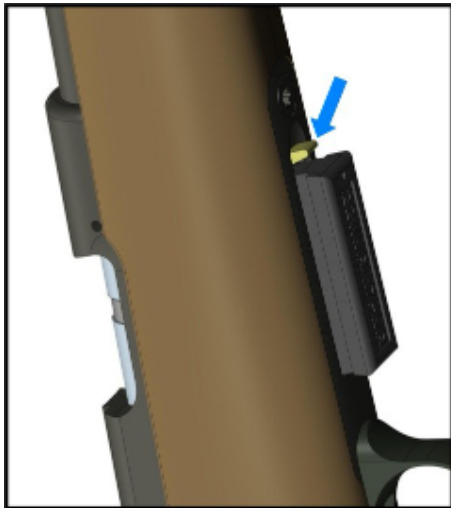
1. The names of basic parts
2. Magazine removal
3. Loading of the rifle
4. Detailed view of the safety
5. Cocking indicator operation
6. Adjustment of trigger pull and trigger travel length after firing
7. Adjustment of the trigger travel length before firing
8. Detail of the rear sight slide
9. Front sight adjusting screws
10. Detailed view of the bolt catch

The Company, reserves the right to make changes it thinks necessary to improve its models or to meet any requirements of manufacturing or commercial nature.





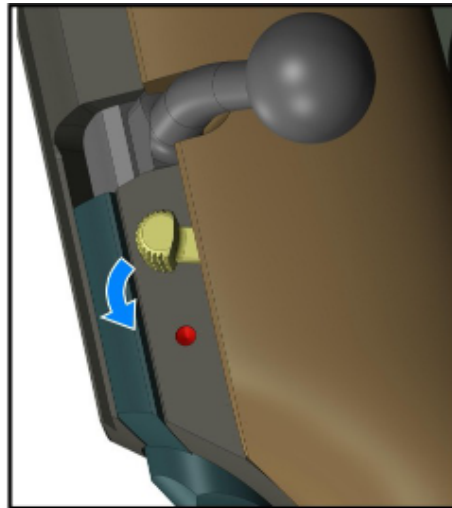
1



2



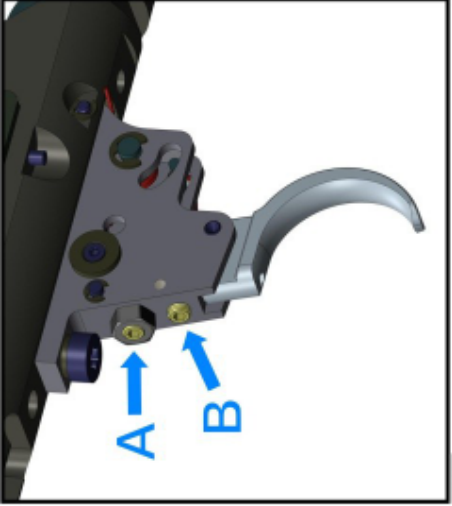
3



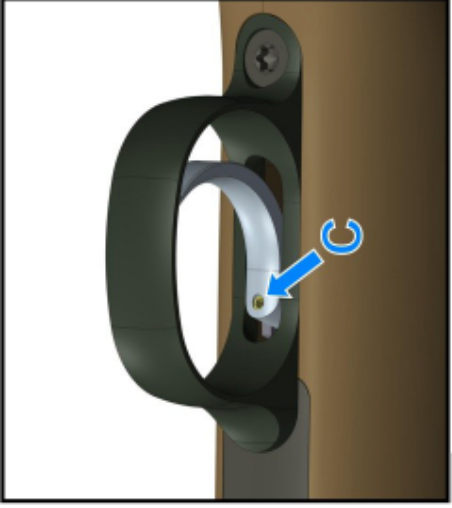
4



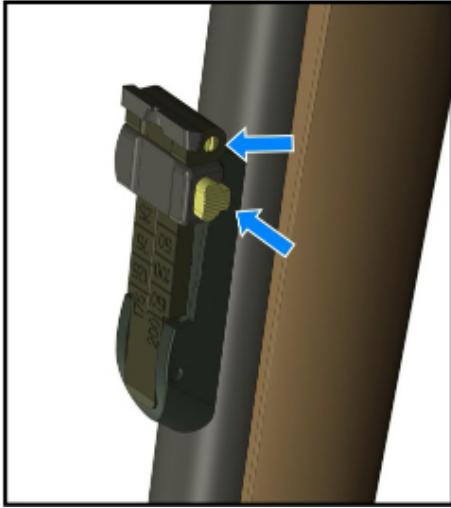
5



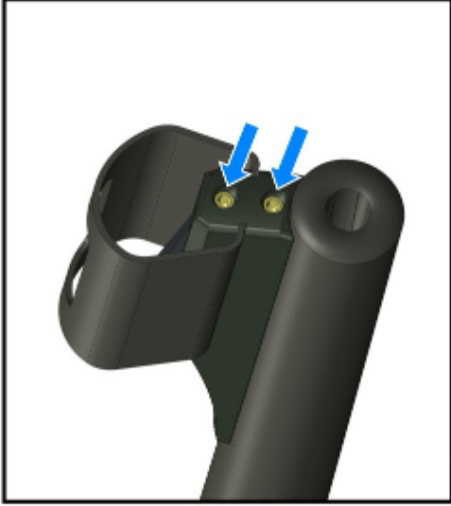
6



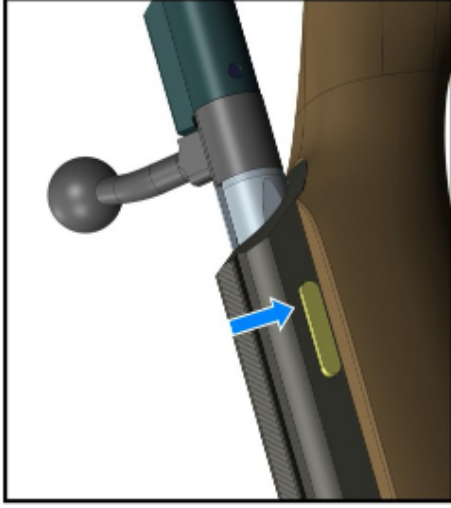
7



8



9



10