




OWNERS MANUAL

MAVERICK®
BY MOSSBERG

BOLT ACTION CENTERFIRE RIFLE

IMPORTANT "SAFETY WARNINGS" — NOTE THE SYMBOL: 

THESE SAFETY WARNINGS ARE FOR YOUR PROTECTION AS WELL AS THE SAFETY OF OTHERS. DISREGARDING INFORMATION IN THIS MANUAL COULD CAUSE SERIOUS INJURY OR DEATH TO YOU OR THOSE AROUND YOU.



Be certain this owner's manual is available for reference and is kept with this firearm if transferred to another party. If this manual is lost or misplaced, contact the Product Service Center for a free replacement copy or visit www.mossberg.com.



After performing any work on your firearm such as cleaning, adjustments, disassembly or installation of any accessory, the firearm should be re-checked for proper functioning before firing live ammunition.



Firearms are complex mechanisms. Any modification, alteration, or improper fitting of parts may result in a dangerous malfunction, damage to the firearm and could cause serious injury or death to you and those around you. The firearm's owner must accept full responsibility for the correct reassembly and functioning of the firearm after any disassembly or replacement of parts.



If you do not understand any of the material in this manual or have any questions, contact the Product Service Center or a qualified gunsmith.



Do not attempt to load, handle or use your firearm until you read and understand the information contained in its owner's manual. Before handling your firearm, you should learn how it operates and how to maintain it. This includes knowing its basic parts, how the manual safety and other safety features operate, how to safely open and close the action and how to safely load and unload ammunition from the firearm. Improper use and handling is dangerous and could cause serious injury or death to you or those around you. All users of the firearm must become thoroughly familiar with the instructions in this manual.

distributed by

MAVERICK ARMS, INC.

1001 INDUSTRIAL BOULEVARD, EAGLE PASS, TX 78852

PHONE (830) 773-9007

www.mossberg.com

Safety and safe firearms handling is everyone's responsibility.



As the owner of a firearm, you must undertake the full-time responsibility of safe firearms handling for your own safety and the safety of those around you:

- Keep all firearms and ammunition out of the reach of children.
- Store your firearms and ammunition separately.
- Never store a loaded firearm.
- Never leave a loaded firearm unattended.
- Never transport a loaded firearm in a vehicle. When transporting your firearm, keep it unloaded, stored and secured within the confines of the vehicle.
- Unload your firearm when you have stopped shooting or when you have to climb a tree, fence or cross a slippery surface. Keeping your firearm unloaded when not in use will prevent an unintentional discharge should you accidentally slip, fall, drop or jar your firearm.
- The safety should remain fully in the “ON” (SAFE) position and the firearm unloaded at all times until you are in a place where it is safe to shoot, keeping your finger off the trigger and outside the trigger guard until you are aiming at the intended target and have decided to fire.
- Never shoot at water, rocks or any hard surfaces. Shots may glance off such surfaces and could cause serious injury or death to you or those around you.
- Do not use alcohol or drugs before or while handling firearms.
- Do not touch the trigger while the safety is being engaged or disengaged.



Always point the muzzle of your firearm in a safe direction, regardless of whether the firearm is loaded or unloaded. You should become thoroughly familiar with the function and operation of this firearm and the instructions supplied with it.



Always treat every firearm as if it is loaded. Give your firearm to someone with the action open (bolt fully rearward), and the safety fully to the “ON” (SAFE) position, after you verify the firearm is unloaded. Insist on the same procedure when receiving a firearm from someone else. Learn the location of all the safety features of your firearm and how they operate.



Always wear eye and ear protection when shooting. Shooting without proper ear protection can cause hearing damage. The use of eye protection during any type of shooting is important to protect your vision.



When using a firearm with mounted optics, maintain an adequate distance between the rear of the scope and your face at all times. Be certain the scope installation does not interfere with access to, or the proper functioning of the safety lever.



We specifically disclaim any responsibility for damage or injury whatsoever occurring in connection with, or as a result of, the use of faulty, or non-SAAMI standard, or “remanufactured”, or hand-loaded (reloaded) ammunition. Additionally, we disclaim any responsibility for damage or injury which results from any modifications or changes that are not a part of the firearm as delivered from the factory.



Learn to clean your firearm thoroughly and make certain no oil, grease or other materials are blocking the barrel. Obstructions of any kind can cause damage to the firearm resulting in personal injury.

Practice proper firearm maintenance and safety. Make sure all exposed metal surfaces are coated with a thin film of oil, especially after being exposed to damp weather. (See the proper section of this manual for cleaning instructions.) Do not plug the barrel or store in a fabric-lined case, which will absorb lubricants from the firearm. Before using after storage, follow complete instructions stated in this manual for re-familiarization with the firearm. A thorough inspection and function test should be performed before going into the field. Have your firearm periodically checked by a qualified gunsmith.



A note about the warnings and information contained in this Manual:

We strongly suggest that you check with your local licensed retailer or state police for additional information concerning firearms ownership, or hunting or target shooting rules that may be required by local law or regulation. Since such rules and regulations are subject to change, local authorities are in the best position to advise you on such matters.

TABLE OF CONTENTS

	Page
Unpacking Your New Bolt Action Rifle	2
The Mechanical Safety	2
Installing Bolt in Rifle	3
Loading the Rifle	4
Firing the Rifle	6
Unloading the Rifle	6
Removing Bolt from Rifle	7
Cleaning and Lubrication	7
Function Testing	8
Service Instructions	9
Warranty Information	10
Notes	11
Parts List	14
Exploded View	15
<i>The Basic Rules of Safe Firearms Handling</i>	Back Cover



WARNING: This product can expose you to chemicals, including lead, which are known to the State of California to cause cancer and birth defects or other reproductive harm. For more information go to www.P65Warnings.ca.gov.



OPERATING INSTRUCTIONS



Read and understand this entire manual and its safety warnings before handling this firearm.

UNPACKING YOUR NEW BOLT ACTION RIFLE

When shipped from the factory the bolt is removed from the action and packed separately in the shipping carton. Before installing the bolt, visually and physically inspect the inside of the barrel and receiver to ensure they are free of any excess oil, grease or any obstructions. Obstructions of any kind can cause damage to the firearm and could cause serious injury or death to you or those around you.

MECHANICAL SAFETY

The mechanical safety lever consists of a knurled lever on the right side of the receiver immediately to the rear of the bolt handle. To put the safety in the "ON" (SAFE) position, move the safety lever fully rearward (Fig. 1). For safe firearm handling, learn the feel of the positive "ON" and "OFF" positions of the safety lever. The safety can be activated only when the rifle is cocked or the bolt is fully opened. DO NOT check if the action is cocked by pulling the trigger, check first to insure the rifle is unloaded.



Remember, a firearm's manual safety is a mechanical device which can never replace safe firearm handling practices.



Never rely on any mechanical mechanism or safety device to prevent the dangers of careless handling or pointing a firearm in an unsafe direction.

To put the safety in the "ON" (SAFE) position, move the safety lever fully rearward (Fig. 1). The safety lever will now cover the red dot. The red dot is a training aid used to show the direction of the "ON" (SAFE) position and should not be used as an indicator that the safety is "ON" or "OFF" (Fig. 2).

LEVER FULLY REARWARD

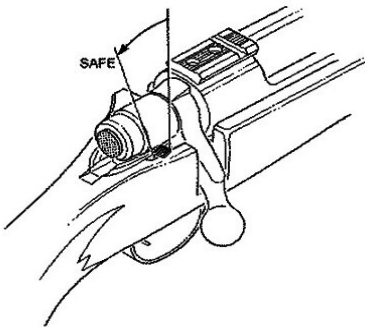


FIGURE 1

LEVER FULLY FORWARD

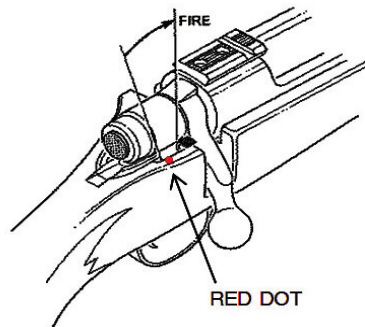


FIGURE 2

To put the safety in the "OFF" or "FIRE" position, move the safety lever forward.

The mechanical safety lever of your Maverick firearm works directly with the trigger assembly. For this reason, the trigger mechanism is permanently set at the factory. Any attempt to change these factory settings may render the safety inoperative and thus create a hazardous condition that could cause serious injury or death to you or those around you. The trigger and safety mechanisms have been designed to function properly in their original condition. Any changes to those mechanisms are specifically contrary to our instructions and we expressly DO NOT authorize any changes to be made after original manufacture.

TO INSTALL BOLT IN THE RIFLE



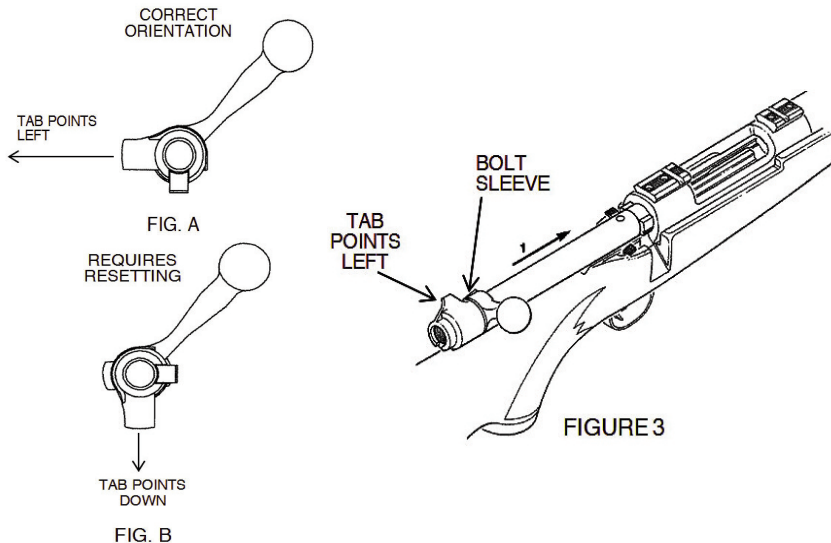
Visually and physically check to make certain there is no ammunition in the chamber or magazine. Keep the muzzle pointed in a safe direction at all times.

- A.** With the bolt handle pointing up and to the right, align the locking lugs on the bolt with the matching machined cuts in the rear of the receiver.

When assembling the bolt into the rifle, make sure the position of the bolt sleeve is as shown in Fig. A. If it is not, the bolt will not close fully and the tab on the bolt sleeve will hit the top of the stock and may cause damage to your stock. The bolt handle assembly is designed so that it cannot be installed in the rifle unless it is in correct alignment.

The correct bolt assembly orientation is shown in figure A. With the bolt handle up and to the right, the tab on the bolt sleeve is horizontal and to the left.

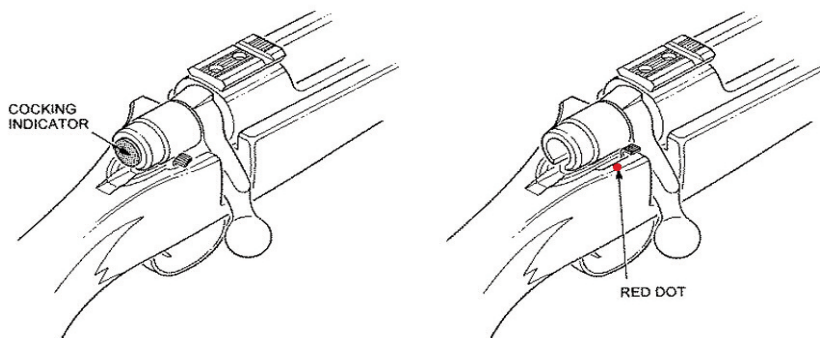
The orientation shown in Fig. B requires resetting the bolt sleeve to the position shown in Fig. A. This may be done by holding the tab on the bolt sleeve in a vise with padded jaws (to prevent marring of the part) and rotating the bolt handle counter clockwise until it is the same as Fig. A before assembling the bolt into the gun.



- B.** Push the bolt forward gently into the receiver about one inch, until the bolt-stop snaps into place behind the bolt lugs holding the bolt in place.
- C.** Push the bolt fully forward and rotate the bolt handle clockwise and down to



the “closed bolt” position. Observe the end of the bolt. The round flat end of the striker is the cocking indicator. When it is flush with the outside ring of the bolt cap, it indicates the rifle is cocked and will fire if the rifle is loaded (Fig. 4), the safety lever is moved to the “OFF” (FIRE) position, and the trigger is pulled. When the rifle is fired, the cocking indicator will snap forward and be recessed approximately 3/16” from the edge of the bolt cap (Fig. 5).



FIGURES 4 & 5

The bolt can be operated with the safety lever in either the “ON” (SAFE) or “OFF” (FIRE) position.

LOADING YOUR RIFLE



Before loading, move the safety lever fully rearward to the “ON” (SAFE) position.



Before loading, visually and physically inspect the chamber and bore of the barrel for any obstruction, excessive oil or grease. (The chamber is the rear portion of the barrel which contains the cartridge.) Obstructions of any kind can cause damage to the firearm and could cause serious injury or death to you or those around you.



During loading never allow fingers or any objects to contact the trigger. Keep the muzzle pointed in a safe direction at all times.

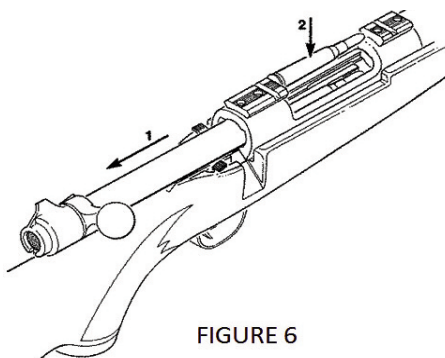


FIGURE 6





Do not load firearm until ready for use! Unload firearm when shooting has been completed! The safety lever should always be in the “ON” (SAFE) position whether the firearm is loaded or not.



Check to be certain that the correct ammunition has been selected for use. Ensure it is the same caliber and type of cartridge as designated on the left side of the barrel.

The Bolt Action Centerfire Rifle has a total capacity of five shots; four in the magazine, one in the chamber.

Move the safety lever fully rearward to the “ON” (SAFE) position. POINT THE MUZZLE IN A SAFE DIRECTION! Lift the bolt handle and pull the bolt to the rear until it stops. Visually and physically check the chamber to make sure it is empty.

LOADING SINGLE CARTRIDGES

You may use your firearm as a single-shot by placing one cartridge at a time directly into the chamber, or on the magazine platform. Keeping the muzzle pointed in a safe direction, push the bolt forward and rotate the bolt handle clockwise to its fully down position. In its forward movement, the bolt will reposition the cartridge from the magazine into the chamber for firing. The firearm is ready for firing as soon as the safety lever is moved forward to the “OFF” (FIRE) position.

LOADING WITHOUT CHAMBERING

If you wish to load the magazine but close the bolt on an empty chamber, press up to four cartridges down into the magazine, one at a time. BEFORE closing the bolt, depress the top cartridge in the magazine with your thumb while slowly sliding the bolt forward so that it overrides the top cartridge in the magazine (Fig. 7). Keeping the muzzle pointed in a safe direction, remove your thumb and finish closing the bolt watching to make sure that no cartridge is pushed into the chamber.

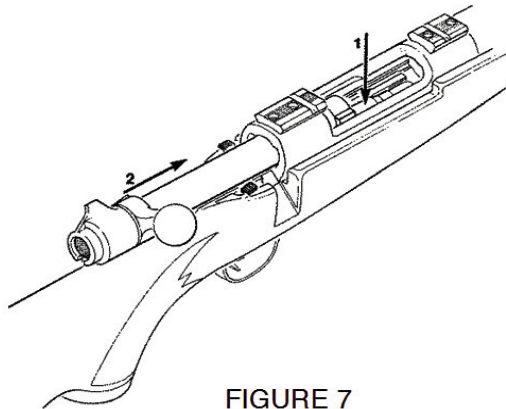


FIGURE 7

LOADING CHAMBER AND MAGAZINE

If you wish to load the firearm up to its full five shot capacity place one cartridge into the chamber of the barrel. Press up to four cartridges down into the magazine, one at a time. Before closing the bolt depress the top cartridge in the magazine with your

thumb while slowly sliding the bolt forward so that it overrides the top cartridge in the magazine. Keeping the muzzle pointed in a safe direction remove your thumb and finish closing the bolt. The firearm is ready for firing as soon as the safety lever is moved forward to the "OFF" (FIRE) position.

To minimize the risk of unintended firing, leave the chamber empty and the safety fully rearward in the "ON" (SAFE) position until you are actually prepared to fire. Keep the muzzle pointed in a safe direction at all times and your fingers and any other objects away from the trigger.

FIRING



Use of this product, including discharging firearms in poorly ventilated areas, cleaning firearms, or handling ammunition can result in exposure to chemicals, including lead, which are known to the state of California to cause serious physical injury, including cancer, birth defects or other reproductive harm. For more information, go to www.P65Warnings.ca.gov.

Have adequate ventilation at all times and wash hands thoroughly after exposure.

With the firearm pointed in a safe direction and held in the proper firing position, push the safety forward to its "OFF" (FIRE) position. Pulling trigger through its full travel to the rear, will fire the firearm.

After the firearm is fired, raise the bolt handle and pull back as far as it will go. This motion will eject the spent casing.

To feed the next round, push the bolt lever fully forward, then down. The firearm is again ready to fire.



Should any cartridge fail to fire, keep the muzzle pointed in a safe direction for at least thirty (30) seconds in case the cartridge is a "hangfire" (delayed firing of the cartridge after being struck by the firing pin.) Then carefully lift the bolt handle, pull it as far back as it will go, and remove the misfired round. Move the safety lever fully rearward to the "ON" (SAFE) position. Segregate the misfired cartridge from other ammunition. Do not attempt to refire a misfired round.



If at any time during firing, the sound of any cartridge is noticeably louder or softer than previous cartridges fired, STOP! Do not load or fire additional cartridges. Keep the muzzle pointed in a safe direction, and while keeping the ejection port and magazine well opening of the firearm turned away from your face (to protect your eyes in the event a defective cartridge explodes), lift and pull the bolt handle fully rearward. Visually and physically verify that the chamber is empty. Move the safety lever fully rearward to the "ON" (SAFE) position. After unloading, inspect your firearm for possible damage or obstructions in the chamber or bore. Firing the firearm with a bore obstruction can cause damage to the firearm and may result in serious personal injury to the shooter and/or others nearby.

Each brand and type of ammunition can produce different accuracy results. It is best to try as many types and brands of ammunition as possible to determine which performs best in your rifle.



TO UNLOAD



Pull the safety lever fully rearward to the “ON” (SAFE) position (Fig. 1). During unloading, never allow fingers or any other object to contact the trigger. **Keep the muzzle pointed in a safe direction at all times.**

Lift the bolt handle and pull the bolt fully to the rear. This will extract a cartridge or empty shell from the chamber. Move the bolt fully forward and rotate the bolt handle down, then lift the bolt handle and pull fully rearward. Repeat until all remaining cartridges are removed from the magazine and chamber.



After unloading always visually and physically inspect the chamber and magazine to make sure that all of the cartridges have been removed.

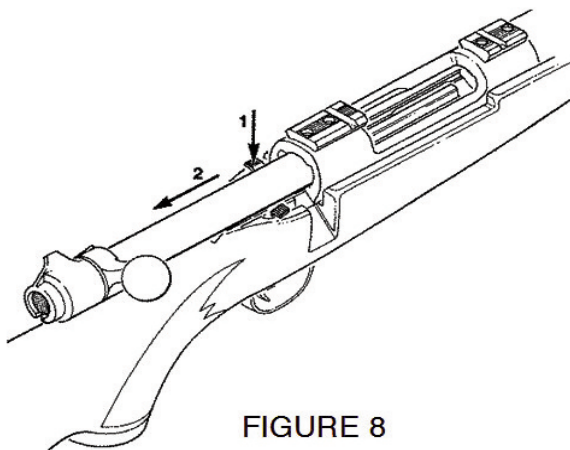


FIGURE 8

TO REMOVE BOLT FROM THE RIFLE



Pull the safety lever fully rearward to the “ON” (SAFE) position (Fig. 1); keep the muzzle pointed in a safe direction at all times; visually and physically inspect the chamber and magazine.

Inspect the chamber and magazine to make sure the firearm is unloaded.

Raise the bolt handle and pull the bolt part way to the rear of the action. Depress the bolt stop at the left rear of the receiver to withdraw the bolt rearward out of the receiver.

CLEANING AND LUBRICATION

With proper maintenance and care, your firearm will provide you with years of dependable service. Your firearm should be inspected and cleaned periodically to insure that it remains in good condition. Clean and lubricate your firearm as soon as possible after use. This is especially important if your firearm has been exposed to moisture. For maximum performance and continued satisfaction with your firearm, periodic cleaning and lubrication are essential. Wear eye protection during cleaning.

Use the instructions and equipment provided with a quality gun cleaning kit.

All metal parts should be cleaned with gun solvent and lightly lubricated with gun oil. Over-lubrication should be avoided. Use only lubricants specifically designed for firearms. Avoid the use of abrasives which may damage the metal finish.



If the firearm is to be stored for a long period of time it should be thoroughly cleaned and oiled. Do not plug barrel or store in a fabric lined case that will absorb lubricant from the gun.

Scrub bore and chamber with solvent and follow with cleaning patches until barrel is clean. A final pass with a lightly oiled patch will provide a protective coating.

The bolt can be removed from the barreled action, and the barreled action can be removed from the stock, but further disassembly should be performed by a certified gunsmith only.



Make sure the barrel and receiver are free of obstructions and excessive lubricant after cleaning. Be sure not to leave cleaning patches or excessive oil or grease in the bore as they can create dangerous obstructions. Obstructions of any kind can cause damage to the firearm and may result in serious personal injury to the shooter and/or others nearby.



Camo guns: Caution should be exercised to avoid exposure of camouflage pattern to solvents and insect repellants.

FUNCTION TESTING



Check your firearm for proper functioning before loading or firing live ammunition.



Pull the safety lever fully rearward to the "ON" (SAFE) position (Fig. 1).



Be sure the firearm is completely unloaded by visually and physically inspecting the chamber and magazine. Keep the firearm pointed in a safe direction at all times.

Open and close the bolt several times to check for free movement of the action assembly.

Close the bolt and leave the safety lever in the "ON" (SAFE) position. Pull the trigger fully rearward. The firing pin should not release.

Remove your finger from the trigger. Move the safety lever fully forward to the "OFF" (FIRE) position. The firing pin should not release.

Leave the safety lever in the "OFF" (FIRE) position. Make certain the firearm is pointed in a safe direction. Pull the trigger rearward. **The firing pin should release.**

When you have completed the function testing, open the action and move the safety lever fully rearward to the "ON" (SAFE) position.



IF YOUR FIREARM DOES NOT PERFORM AS DESCRIBED IN ANY OF THE PREVIOUS STEPS, CONTACT THE FACTORY AUTHORIZED PRODUCT SERVICE CENTER IMMEDIATELY. DO NOT ATTEMPT TO USE THE FIREARM.



Firearms are complicated mechanisms. Any modification, alterations, or improper fitting of parts may result in a dangerous malfunction, damage to the firearm and injury to the shooter and other persons. The firearm's owner must accept full responsibility for the correct reassembly and functioning of the firearm after any disassembly or replacement of parts.

SERVICE INSTRUCTIONS

Should your firearm or any component of your firearm require service, ship your entire firearm (please do not send components only), via your chosen carrier, postage paid (we do not accept C.O.D. shipments), following these instructions:

Repairs in the U.S.

For faster repair service, please start the process by filling out our Service Request Form online at <http://www.mossberg.com/service> prior to shipping your firearm.



- **Make absolutely certain your firearm is unloaded.**
- **Do not send ammunition with your firearm.**
- Remove all accessories from your firearm such as scopes, slings, scope mounts, etc.
- Ship your firearm in a suitable container, packaging it securely to prevent parts from shifting and/or damage during shipping. Include a note with a clear description of the service you wish us to perform, your complete return shipping address (no P.O. boxes please), your daytime telephone number and your e-mail address (if available).
- It is advisable to place your correspondence inside your shipping container when shipping.

SHIPPING ADDRESS

Mossberg Product Service Center
1001 Industrial Blvd.
Eagle Pass, TX 78852

If you have any service related questions, please contact the Product Service Center at (800) 363-3555 or service@mossberg.com

TO ORDER PARTS

To order parts from the Product Service Center, you can fax, phone, email, or mail your order to one of the below numbers/addresses.

Fax Number: (203) 230-5420

Phone Number: (800) 363-3555

E-mail Address: service@mossberg.com

Mailing Address: Mossberg Product Service Center
1001 Industrial Blvd.
Eagle Pass, TX 78852
Attn: Order Department

Please provide your name, address, city, state, zip, your daytime phone number and e-mail (if available). The Product Service Center will need the Model Number, Serial Number, Gauge/Caliber, Finish, Item Number, and Part Name. There is a \$7.50 (U.S.) minimum parts order charge. Most major credit cards, money orders, and bank drafts are accepted.

Service outside of the U.S.A.

For Mossberg firearm parts and service requirements outside of the United States, customers are requested to contact the closest Mossberg stocking dealer/distributor.

MAVERICK WARRANTY

BOLT ACTION CENTERFIRE RIFLE

ONE (1) YEAR LIMITED WARRANTY

Limited Warranty: Maverick warrants to you, the original retail purchaser of a new Maverick® Bolt Action Centerfire Rifle (the "Maverick firearm"), that the Maverick firearm will be free of defects in material or manufacture for a period of one (1) year from the date of your purchase of the new Maverick firearm (the "Warranty Period") in the United States or Canada. This is the only express warranty on the Maverick firearm. MAVERICK MAKES NO OTHER WARRANTIES OF ANY KIND OR CONDITIONS, INCLUDING, BUT NOT LIMITED TO ANY IMPLIED WARRANTY OF MERCHANTABILITY OR FITNESS FOR A PARTICULAR PURPOSE. This Limited Warranty gives you specific legal rights, and you may have other rights that vary from State to State.

Purchaser's Remedy: During the Warranty Period, Maverick will, at its sole option, (1) repair the Maverick firearm or any part thereof that, upon examination and testing by Maverick, does not conform to the Limited Warranty without charge to you for parts or labor, or (2) replace the Maverick firearm with a new or similar model. THIS REMEDY SHALL BE YOUR EXCLUSIVE AND SOLE REMEDY FOR ANY BREACH OF WARRANTY. MAVERICK SHALL NOT BE RESPONSIBLE FOR ANY OTHER EXPENSES, LOSSES OR INCONVENIENCE THAT YOU MAY SUSTAIN AS A RESULT OF THE PURCHASE, USE, MALFUNCTION OR DEFECTIVE CONDITION OF THE MAVERICK FIREARM. Maverick reserves the right to inspect, examine and/or test the Maverick firearm to assess any claim made under the Limited Warranty.

EXCLUSIONS: THIS WARRANTY DOES NOT COVER THE COSMETIC APPEARANCE OF THE MAVERICK FIREARM OR ANY DAMAGE CAUSED BY:

- (1) NORMAL WEAR AND TEAR;
- (2) FAILURE TO PERFORM PROPER CARE AND MAINTENANCE;
- (3) ACCIDENTS, ABUSE OR NEGLIGENCE;
- (4) BARREL OR BORE OBSTRUCTIONS;
- (5) FAILURE TO FOLLOW THE INSTRUCTIONS AND WARNINGS THAT ACCOMPANY THE MAVERICK FIREARM; OR
- (6) THE USE OF DEFECTIVE, NON-SAAMI STANDARD, REMANUFACTURED, HAND-LOADED, AND/OR RELOADED AMMUNITION.

IN ADDITION, ANY UNAUTHORIZED REPAIRS, ALTERATIONS OR MODIFICATIONS TO THE MAVERICK FIREARM WILL AUTOMATICALLY VOID THE LIMITED WARRANTY.

LIMITATION OF DAMAGES: EXCEPT WHERE PROHIBITED BY LAW, MAVERICK WILL NOT BE LIABLE FOR ANY LOSS OR DAMAGE WHATSOEVER ARISING FROM THE USE OF THIS MAVERICK FIREARM, WHETHER DIRECT, INDIRECT, SPECIAL, INCIDENTAL, CONSEQUENTIAL OR PUNITIVE, REGARDLESS OF THE LEGAL THEORY ASSERTED, INCLUDING CONTRACT, WARRANTY, NEGLIGENCE, OR STRICT LIABILITY. SOME JURISDICTIONS DO NOT ALLOW LIMITATIONS ON HOW LONG AN IMPLIED WARRANTY LASTS, OR THE EXCLUSION OF INCIDENTAL OR CONSEQUENTIAL DAMAGES, SO THE ABOVE LIMITATIONS MAY NOT APPLY TO YOU.

Warranty Service: To obtain service under this Limited Warranty, you must follow the instructions found in the "Service Instructions" section of the Owner's Manual and return the Maverick firearm to the authorized Product Service Center. You are responsible for all shipping costs to the Product Service Center. Maverick will not accept COD shipments of any Maverick firearm for service. After repair or replacement, the Maverick firearm or a similar model will be returned to you, return postage paid by Maverick. If we replace the Maverick firearm, we will keep the firearm that you returned to Maverick.

Modification of Warranty: No agent, representative, distributor, or authorized dealer of Maverick firearms has any authority to modify the terms or conditions of the Limited Warranty in any way. The Limited Warranty may only be modified in writing by an authorized officer of Maverick.

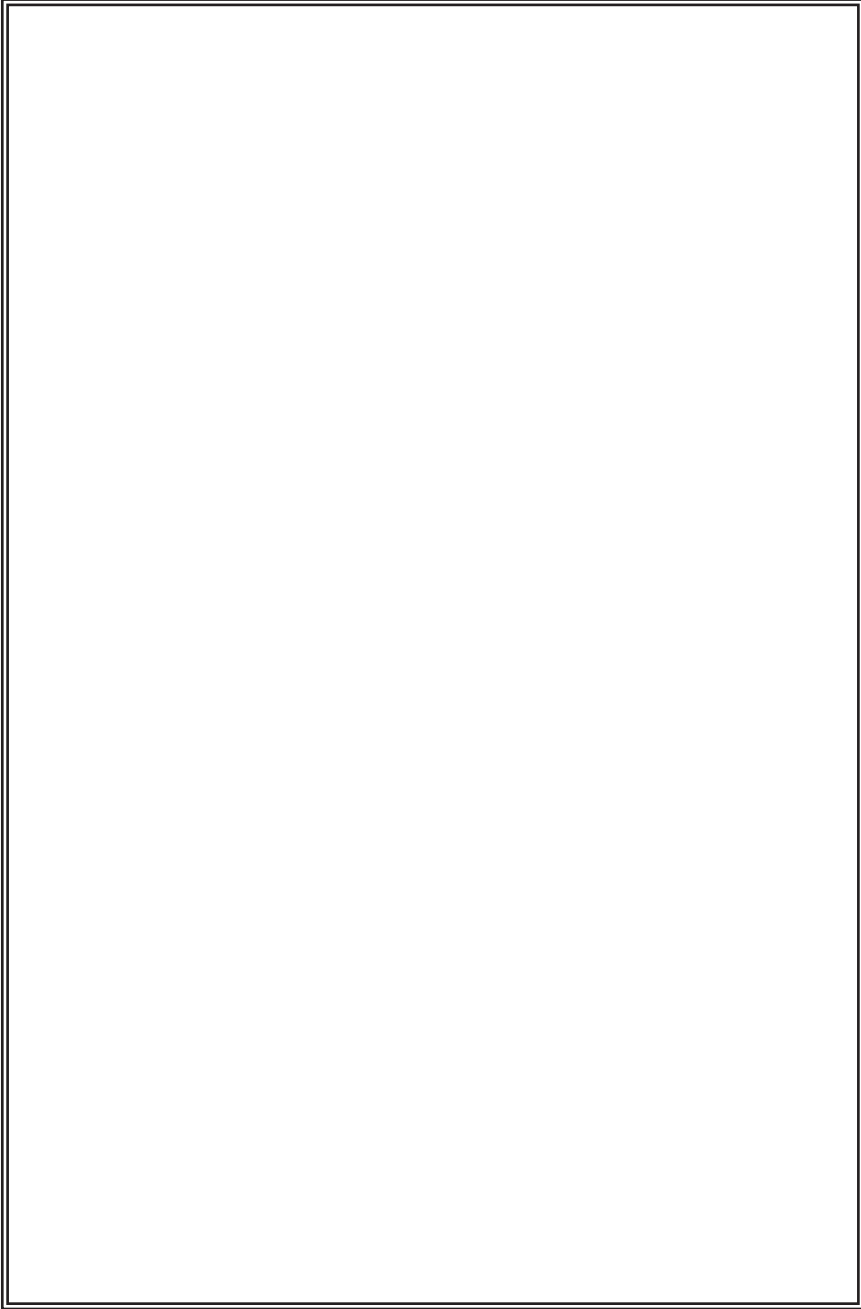
THIS LIMITED WARRANTY IS EFFECTIVE DECEMBER 1, 2009.



NOTES



NOTES

A large, empty rectangular box with a double-line border, intended for handwritten notes. The box is oriented vertically and occupies most of the page's width and height.



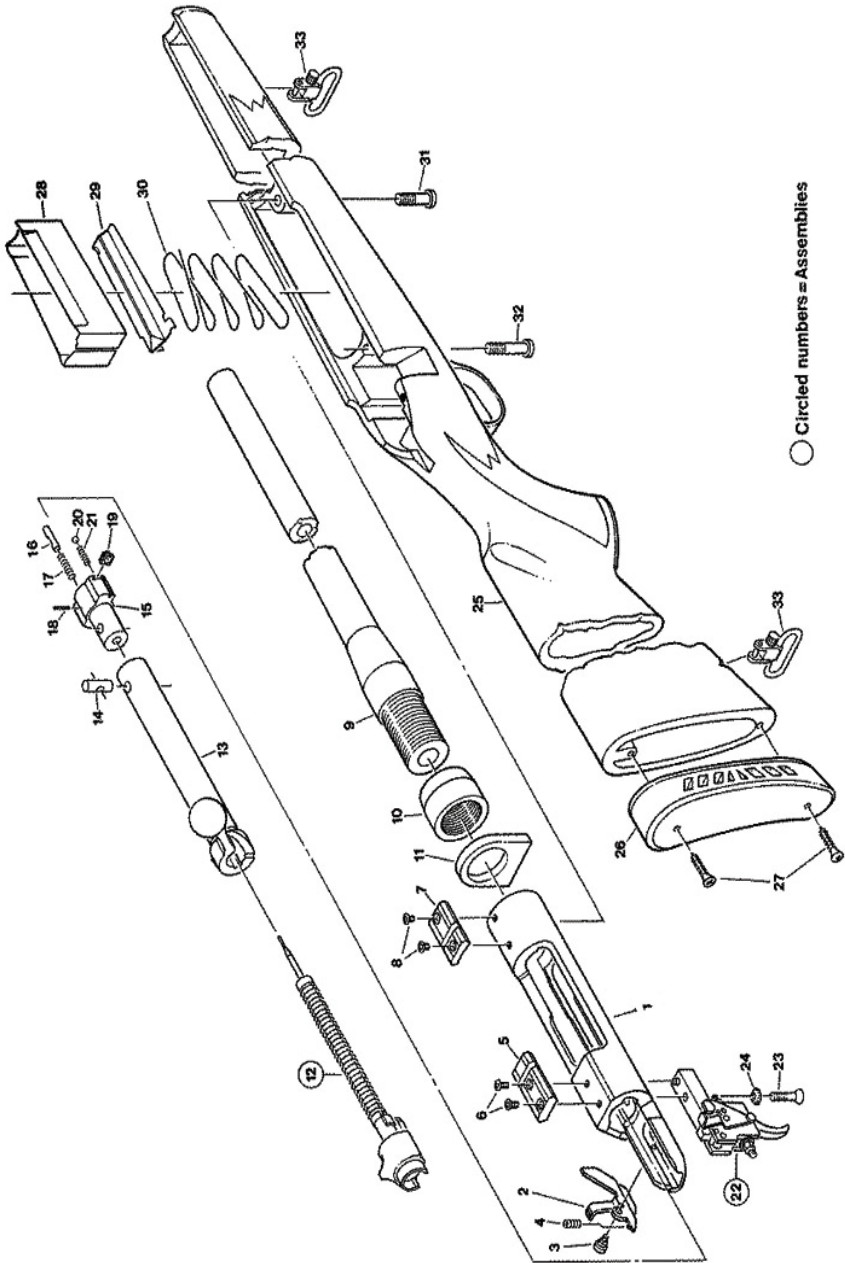
NOTES



BOLT ACTION CENTERFIRE RIFLE PARTS LIST

ITEM	DESCRIPTION	ITEM	DESCRIPTION
1*	RECEIVER	18	EJECTOR PIN
2	BOLT STOP	19	EXTRACTOR
3	BOLT STOP SCREW	20	EXTRACTOR DETENT BALL
4	BOLT STOP SPRING	21	EXTRACTOR SPRING
5	SCOPE MOUNT, REAR	22*	TRIGGER HOUSING ASSEMBLY
6	SCOPE MOUNT SCREWS, REAR	23*	TRIGGER HOUSING SCREW
7	SCOPE MOUNT FRONT	24*	TRIGGER HOUSING WASHER
8	SCOPE MOUNT SCREWS, FRONT	25	STOCK
9*	BARREL	26	RECOIL PAD
10*	BARREL LOCK NUT	27	RECOIL PAD SCREW
11*	RECOIL LUG	28	MAGAZINE
12	FIRING PIN ASSEMBLY	29	MAGAZINE FOLLOWER
13	BOLT BODY ASSEMBLY	30	MAGAZINE SPRING
14	BOLT HEAD ASSEMBLY PIN	31	FRONT ACTION SCREW
15*	BOLT HEAD	32	REAR ACTION SCREW
16	EJECTOR	33	SWIVELS
17	EJECTOR SPRING		

*Items on parts list are reserved for qualified gunsmiths or the authorized Product Service Center only.



FIREARMS SAFETY DEPENDS ON YOU. MAKE NO MISTAKE ABOUT IT!

From the time an individual picks up a firearm, that individual shooter becomes a part of a system over which he or she has complete control. He or she is the only part of the system that can make a gun safe – or unsafe. Hunting and target shooting are among the safest of all sports. This booklet is intended to make them even safer – by re-emphasizing and reaffirming the basics of safe gun handling and storage and by reminding each individual shooter that he or she is the key to firearms safety. You can help meet this responsibility by enrolling in hunter safety or shooting safety courses. You must constantly stress safety when handling firearms, especially to children and non-shooters. Newcomers in particular must be closely supervised when handling firearms with which they may not be acquainted. Don't be timid when it comes to gun safety. If you observe anyone violating any safety precautions, you have an obligation to suggest safer handling practices, such as those in this booklet. Please read these rules carefully and follow the safety procedures outlined. Firearms safety is up to you. Make no mistake about it.

- 1. ALWAYS KEEP THE MUZZLE POINTED IN A SAFE DIRECTION**
- 2. FIREARMS SHOULD BE UNLOADED WHEN NOT ACTUALLY IN USE**
- 3. DON'T RELY ON YOUR GUN'S "SAFETY"**
- 4. BE SURE OF YOUR TARGET AND WHAT'S BEYOND IT**
- 5. USE CORRECT AMMUNITION**
- 6. IF YOUR GUN FAILS TO FIRE WHEN THE TRIGGER IS PULLED, HANDLE WITH CARE**
- 7. ALWAYS WEAR EYE AND EAR PROTECTION WHEN SHOOTING**
- 8. BE SURE THE BARREL IS CLEAR OF OBSTRUCTIONS BEFORE SHOOTING**
- 9. DO NOT ALTER OR MODIFY YOUR GUN, AND HAVE GUNS SERVICED REGULARLY**
- 10. LEARN THE MECHANICAL AND HANDLING CHARACTERISTICS OF THE FIREARM YOU ARE USING**

*Courtesy of
Sporting Arms and Ammunition Manufacturers' Institute, Inc.*