

owner's manual

A large, stylized graphic of an eagle's head in profile on the left and its wings spread to the right, rendered in shades of gray against a black background. The eagle's head is facing right, and its wings are spread wide, with several horizontal lines representing the feathers.

1911

WILSON COMBAT®

Owner's Manual for 1911 Handguns

Technical Questions
800-955-4856

WILSON COMBAT®
2452 CR 719
BERRYVILLE, AR 72616-4573
info@wilsoncombat.com

Copyright© 2019 Wilson's Gun Shop, Inc.

Welcome To Wilson Combat®—Our Commitment To You

Since 1977, we strive to provide our valued customers with superior handguns, parts, and accessories. Our policy of 100%, complete customer satisfaction is the cornerstone of doing business with Wilson Combat®. We want every experience you have in dealing with us to be pleasant and rewarding and we take pride in how we deliver our products and services.

If for any reason you are unhappy with a Wilson Combat® product, Wilson Combat® service, or how your issue has been addressed by an employee of Wilson Combat®, feel free to contact our Customer Service Director at info@wilsoncombat.com.

In the event that you need to return or exchange a product, please follow the instructions on our Merchandise Return Form found on our website at <https://www.wilsoncombat.com/customer-service/>, email us at info@wilsoncombat.com, or call us at **800-955-4856**.

For handguns service repair work, please contact info@wilsoncombat.com and include **“Attn: Service Repairs”** in the subject.

For answers to frequently asked questions, a complete list of available handguns, parts, accessories, services and upgrades, or to find a Wilson Combat® dealer near you, please visit our website at <https://www.wilsoncombat.com>.

For helpful video instructions for many of our products, please visit our YouTube® channel at <https://www.youtube.com/user/gowilsoncombat>.

WARNING

BEFORE USING THIS HANDGUN, READ, UNDERSTAND, AND FOLLOW THESE INSTRUCTIONS. THIS HANDGUN SHOULD BE CONSIDERED LOADED AND READY TO FIRE UNTIL YOU REMOVE THE MAGAZINE AND VERIFY THAT THE CHAMBER IS UNLOADED.

If there is anything you do not understand, get assistance from a qualified gunsmith in the safe handling and maintenance of handguns.

This instruction manual should always accompany this handgun and be transferred with it upon change of ownership, or when the handgun is loaned or presented to another person.

Nothing can ever take the place of proper instruction and training. We recommend beginning with an NRA training course near you. For more information, go to <https://www.nrainstructors.org/>.

Wilson Combat® Disclaimer and Limitation of Liability

Understanding the basic function of and dangers presented by the use of your handgun, and closely following the instructions and warnings set forth in this manual will help you obtain a high level of safety, performance and satisfaction. On the other hand, failure to follow the instructions and warnings in this manual can result in serious injury and even death to yourself or others, as well as severe damage to the handgun or other property.

Wilson Combat® shall not be responsible for damage to the handgun, physical injury to yourself or others, or property damage caused by any of the following: negligent or criminal discharge of your handgun; improper or careless handling; unauthorized alterations or modifications; use of low-quality or improperly reloaded ammunition; failure to properly maintain and service the handgun, including permitting rust or corrosion accumulation, and abuse, neglect, or other conditions that are beyond Wilson Combat®'s control.

The above legal limitations apply regardless of whether liability against Wilson Combat® is asserted on the basis of warranty law, contract, negligence, or strict liability (including failure to warn). Under no circumstance shall Wilson Combat® be liable for incidental or consequential damages, such as the loss of use of property, commercial loss, and loss of earnings or profits.

Wilson Combat® does not offer any written or express warranties on its products. Wilson Combat® reserves the right to assert any additional defense(s) available under applicable law.

By owning, maintaining, storing, handling and shooting this handgun, you are accepting a serious responsibility. Please take the time to review and understand this entire manual. Always follow common sense. Anyone using your handgun must do so safely. If you or any of the handgun's handlers have any doubts about the ability to safely and responsibly own, maintain, store, handle, and shoot the handgun, supervised and professional instruction should be immediately sought.

⚠ WARNING: PROPER GUN HANDLING TECHNIQUE

Dropping the slide from slide lock with an empty chamber will damage your new 1911 pistol! Repeated dropping of the slide from slide lock on an empty chamber will eventually damage the hammer/sear engagement to the point that the hammer will fall to half cock andpeen the barrel lock-up contact areas resulting in loss of accuracy. You should NEVER drop the slide from slide lock on an empty chamber with ANY pistol design for the above reasons, but this is especially true on any precisely fit pistol of 1911 design. Only drop the slide from slide lock when you are chambering a cartridge from the magazine. The feeding of the cartridge from the magazine into the chamber reduces the impact of the slide slamming closed. This is the way the pistol is designed to be operated and will result in a long lasting, accurate pistol with a crisp and safe trigger pull. Damage to the pistol from dropping the slide from slide lock on an empty chamber will not be covered under the Wilson Combat® service policy.

Table Of Contents

2-5

Welcome/
Handgun Warning/
Disclaimer

8-9

1911 Overview

10-15

Handgun Safety Rules

16-21

State-By-State Warnings

22

Locking Devices Warning

23-25

Function Test

26

Before Firing Warning

27

Clearing Malfunctions

28

Operation Controls

29-33

Loading, Firing,
& Unloading

34

Fixed Sight
Adjustment Care

35-45

Field Stripping
Reassembly

46-52

Recommended
Maintenance

53-55

Shok-Buff® FAQs

56-57

Further Maintenance

58-59

1911 Parts List

60-61

Slide Assembly
With Bushing

62-63

Slide Assembly
Without Bushing

64-65

Frame Assembly

66-67

Trigger Group &
Mainspring Assembly

68-73

Ownership Record/
Notes

Classic, Full-Size, 1911

Visit www.wilsoncombat.com for more information.



*Image of 1911 shown with custom options not available on all handguns



Handgun Safety Rules

There are no excuses for careless handgun handling. The following rules are common sense and must be followed at all times. If you do not understand these rules, please contact Wilson Combat® at **800-955-4856** or e-mail us at **info@wilsoncombat.com**. Do not use your Wilson Combat® handgun until you fully understand and practice these rules. If these rules are ALWAYS followed, your handgun will provide you with many years of safe and enjoyable use. Failure to follow these rules can cause property damage and serious personal injury or death to yourself or others.

1. Always keep your handgun's muzzle pointed in a safe direction.

A safe direction is one in which an accidental discharge will not cause injury to yourself or others. Never allow your handgun to be pointed at anything you do not intend to shoot. Be extra careful when you are loading or unloading. Injuries can be prevented in the event of an accidental or unintentional discharge if you keep your handgun pointed in a safe direction. Treat every handgun as if it were loaded, regardless of whether it is loaded or unloaded and whether or not the mechanical safety is engaged. Your handgun's mechanical safety is not a substitute for common sense.

2. Your handgun should be unloaded and properly stored when not in use.

Load your handgun only after you are in the field or on the target range and ready and intending to fire. Unload your handgun as soon as you are finished shooting. An unloaded handgun cannot cause an accident. Unload your handgun completely, which means no ammunition in the chamber or in the magazine. Never assume a handgun is unloaded even if you were the last person to use it.

When not in use, store this handgun where it is not accessible to unauthorized persons. Safe storage of a handgun is just as important as safe handling. Never store your handgun loaded. Be sure to keep your handgun in a secure place where unauthorized persons and children cannot gain access without your knowledge. Take extra precaution if children are nearby. Store your handgun in a locked safe or some other location that physically prevents unauthorized persons and children from gaining access. Ammunition should be stored and locked in a location separate from your handgun. It is your responsibility to make sure that children and others unfamiliar with handguns cannot access your handgun and ammunition.

NOTICE: When using a key operated locking device, never install the locking device inside the trigger guard or in a way that makes it possible for the locking device to pull the trigger. Do not leave the keys in the lock. To maximize effectiveness and reduce the chances of malfunction or damage to your handgun, refer to the locking device manufacturer's instructions for installation and removal.

3. Keep your fingers off the trigger until you are ready and intending to shoot.

Do not touch the trigger on your handgun until you are ready and intending to shoot. Keep your fingers away from the trigger when you are loading or unloading. Even if the safety is engaged, do not touch or pull the trigger until you are ready and intending to shoot. Keep your finger outside the trigger guard until you are ready and intending to shoot.

4. Use only quality ammunition of the correct caliber in your handgun.

Your handgun is designed to fire a particular caliber of ammunition. The specific caliber is engraved on the handgun. Never attempt to shoot ammunition of any other caliber. Never attempt to shoot damaged, abused, altered, corroded or improperly reloaded ammunition. Using the wrong caliber ammunition or using damaged, abused, altered, corroded or improperly reloaded ammunition can cause serious personal injury or death. Always read and follow the instructions on ammunition boxes. This handgun is only compatible with 9mm Luger (9x19, 9mm Parabellum) ammunition. Using other ammo may cause serious injury or death.

5. Be sure that your handgun and ammunition are in good working condition.

Before firing your handgun, you should always inspect and check that it is functioning as designed and intended. It should only discharge when the safety is disengaged and the trigger is pulled or depressed. The instruction manual that accompanies this handgun includes instructions on how to properly check whether the handgun is in proper working order.

Before loading your handgun, open the action and make sure there is no ammunition in the chamber or magazine. Check your barrel for any obstructions or debris. (Use common sense, and do not look down the muzzle!) Even a small amount of debris, dirt, mud or excess lubricant in the barrel can cause dangerous increases in pressure and result in the barrel exploding during firing. Use a cleaning rod to clear debris or obstructions in the barrel. If the noise, report or recoil of your handgun seems abnormal or reduced, stop and unload your handgun. A bullet that fails to completely exit the barrel is known as a “squib” load, which is a bore obstruction and extremely dangerous condition.

If for any reason ammunition does not fire when you pull the trigger or something appears wrong with the ammunition, stop what you are doing. Use common sense. Keep the handgun’s muzzle pointed in a safe direction. Keep your face away from the ejection port. Engage your safety. Wait at least 30 seconds before carefully opening the action to unload the handgun. Carefully dispose of the cartridge. Remember that anytime a cartridge is in your handgun’s chamber, your handgun is loaded and can fire.

6. Always wear eye and ear protection when shooting.

Shooting glasses help protect your eyes from powder residue, ruptured or damaged cartridge cases, and other debris. Eye protection is also recommended when you are disassembling, cleaning, or reassembling your handgun so that tensioned parts, such as springs, and cleaning solvents do not contact your eyes.

Hearing protection is also important because exposure to shooting noise can permanently damage your hearing. Whether at the range or in the field, use ear protection.

7. Be sure of your target and what is beyond it.

When you are ready and intending to shoot, but before you pull the trigger, you must know your target and what is beyond it. Your shot should have a solid backstop. Make sure that you know exactly where your shot is traveling and what it will hit if you miss your target. Bullets travel with great velocity over significant distances. Know how far your shot will travel if you miss your target or if the bullet ricochets.

8. Never use alcohol or drugs before or during shooting.

Never shoot while intoxicated or on drugs. You must shoot sober in order to effectively follow the rules of handgun safety. Handguns and alcohol or drugs are an extremely dangerous combination. Never consume anything that could impair your judgment or physical coordination when shooting or handling a handgun.

9. Do not alter or modify your handgun and have it regularly serviced.

An improperly altered, modified, or poorly maintained handgun is a dangerous handgun. Your handgun has been designed to operate in accordance with specifications developed by Wilson Combat®. Never alter or modify your handgun in any way. You may endanger yourself and others by altering or modifying your handgun's trigger mechanism, the mechanical safety or any other component.

Like most mechanical devices, your handgun is subject to wear, and should be maintained and regularly serviced. Proper cleaning and lubrication are important and necessary for optimal performance, safety and reliability. Before cleaning, always make sure that your handgun is completely unloaded. Periodically inspect the internal workings of your handgun to make sure they are clean and free of rust and debris. Use only recommended lubricants and do not over-lubricate. Excessive use of non-recommended lubricants can adversely affect the function and safe operation of your handgun.

You are responsible for the proper care and maintenance of your handgun. Failure to properly maintain your handgun can result in damage to the handgun and cause personal injury or death.


10. Learn the mechanics and handling characteristics of the handgun before use.


Not all handguns are alike. They have different mechanical characteristics that impact how you should operate and handle them. Anyone who plans to use a Wilson Combat® handgun should first familiarize themselves with the handgun and the safe handling procedures for loading, unloading, shooting, and storing it. Before you ever load your handgun, read this entire instruction manual and familiarize yourself with the different component parts and features of the handgun and the handgun's handling characteristics.

State-By-State Warnings

Some states require by law that specified **warning** notices in “larger-than-normal” type be conspicuously included by the manufacturer, distributor, or retailer with handguns sold in that state. Since our products may be sold in those states we include the following:

California

 **WARNING:** Handguns must be handled responsibly and securely stored to prevent access by children and other unauthorized users. California has strict laws pertaining to handguns, and you may be fined or imprisoned if you fail to comply with them. Visit the web site of the California Attorney General at <https://oag.ca.gov/handguns> for information on handgun laws applicable to you and how you can comply.

 **WARNING:** Prevent child access by always keeping handguns locked away and unloaded when not in use. If you keep a loaded handgun where a child obtains and improperly uses it, you may be fined or sent to prison.

 **ADVERTENCIA:** Se debe manejar con responsabilidad las armas de fuego y guárdalas de forma segura para prevenir que les tienen acceso los niños y usuarios no autorizados.

El estado de California tiene leyes estrictas que pertenecen a las armas de fuego, y se puede recibir una multa o le pueden encarcelar si no se las obedece. Visita a la página web de California Attorney General a <https://oag.ca.gov/handguns> para información sobre las leyes de armas de fuego y cómo se las puede cumplir.

⚠️ ADVERTENCIA: Prevén el acceso de niños por guardar bajo llave siempre las armas y descargarlas cuando no están en uso. Si se guarda una arma cargada donde un niño la obtiene y la use de manera inapropiada, se puede recibir una multa o le pueden encarcelar.

Connecticut

⚠️ WARNING: Unlawful storage of a loaded handgun may result in imprisonment or fine.

Florida

⚠️ WARNING: It is unlawful, and punishable by imprisonment and fine, for any adult to store or leave a handgun in any place within the reach or easy access of a minor under 18 years of age or to knowingly sell or otherwise transfer ownership or possession of a handgun to a minor or a person of unsound mind.

Maine

⚠ WARNING: Endangering the welfare of a child is a crime. If you leave a handgun and ammunition within easy access of a child, you may be subject to fine, imprisonment or both. Keep handguns and ammunition separate. Keep handguns and ammunition locked up. Use trigger locks.

Maryland

⚠ WARNING: Children can operate handguns which may cause death or serious injury. It is a crime to store or leave a loaded handgun in any location where an individual knew or should have known that an unsupervised minor would gain access to the handgun. Store your handgun responsibly!

Massachusetts

⚠ WARNING FROM THE MASSACHUSETTS ATTORNEY GENERAL: This handgun is not equipped with a device that fully blocks use by unauthorized users. More than 200,000 handguns like this are stolen from their owners every year in the United States. In addition, there are more than a thousand suicides each year by younger children and teenagers

who get access to handguns. Hundreds more die from accidental discharge. It is likely that many more children sustain serious wounds, or inflict such wounds accidentally on others. In order to limit the chance of such misuse, it is imperative that you keep this weapon locked in a secure place and take steps necessary to limit the possibility of theft or accident. Failure to take reasonable preventive steps may result in innocent lives being lost, and in some circumstances may result in your liability for these deaths.

It is unlawful to store or keep a handgun, rifle, shotgun, or machine gun, in any place unless that weapon is equipped with a tamper-resistant safety device or is stored or kept in a securely locked container.

New Jersey

⚠ WARNING: It is a criminal offense to leave a loaded handgun within easy access of a minor.

New York City, NY

⚠ WARNING: The use of a locking device or safety lock is only one aspect of responsible handguns storage. For increased safety, handguns should be stored unloaded and locked

in a location that is both separate from their ammunition and inaccessible to children and other unauthorized persons.

North Carolina

⚠ WARNING: It is unlawful to store or leave a handgun that can be discharged in a manner that a reasonable person should know is accessible to a minor.

Texas

⚠ WARNING: It is unlawful to store, transport, or abandon an unsecured handgun in a place where children are likely to be and can obtain access to the handgun.

Wisconsin

⚠ WARNING: If you leave a loaded handgun within the reach or easy access of a child you may be fined or imprisoned or both if the child improperly discharges, possesses, or exhibits the handgun.

As a handgun owner, it is your job to know the local, state and federal laws regarding handguns ownership. The **warnings** listed in this manual are not inclusive of all states and is subject to change without notice. Please check with your local authorities for current laws and regulations in your locality.

Visit the NRA website **www.nra.org** or the BATFE website **www.atf.gov** for more information.

⚠ WARNING: Discharging handguns in a poorly ventilated area, or handling or cleaning handguns and ammunition can result in an exposure to lead and other harmful substances known in the state of California to cause birth defects, reproductive harm, and other serious physical injury. Adequate ventilation must be maintained at all times when handling, cleaning or firing handguns. Wash your hands thoroughly after exposure. The use of gloves, glasses and other protective gear during handgun cleaning is recommended.


Locking Devices Warning


While it can help provide secure storage for your unloaded handgun, any key-operated locking device can fail. All handguns are designed to fire if they are loaded and the trigger is pulled. **Therefore, never install the locking device inside the trigger guard or in any way that makes it possible to pull the trigger! Do not leave the keys in the lock.**

The ultimate responsibility for secure storage of any handgun must depend upon its owner and his or her individual circumstances. Handguns should be stored unloaded, in a secure location, separate from their ammunition.

NEVER Install The Locking Device Inside The Trigger Guard

To maximize effectiveness and reduce the chance of malfunction or damage to a handgun, ALWAYS refer to the locking device's manufacturer direction for installation and removal of the device.

 **WARNING:** Keep the handgun out of the reach of children or other unauthorized persons. Store the key to the cable lock in a safe place, away from unauthorized persons and separately from the handgun.

 **WARNING:** If this handgun is carelessly or improperly handled, unintentional discharge could result and could cause injury, death, and/or damage to property.

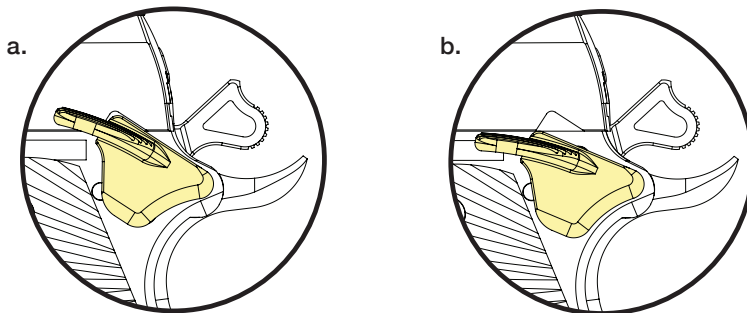
Function Test

The following function test is intended to ensure the handgun is safe and in proper working order. You should perform the following safety and function tests any time after disassembly/reassembly and before/after carrying or firing the firearm.

If the handgun fails any step of this function test, see warning instructions on page 25. To ensure that the handgun is in proper working order, a function test should be completed as follows:

1. Thumb Safety Check

The thumb safety on a 1911 style pistol blocks the sear when placed in the upward (SAFE)(a) position. To check your safety for proper function, with an unloaded firearm, place safety in the upward (SAFE)(a) position and pull the trigger. The safety should stay on SAFE(a) and the hammer should not move or fall. If the hammer falls please contact Wilson Combat® Customer Service.



2. Grip Safety Check

The grip safety on a 1911 style pistol blocks the trigger from moving unless the safety is completely depressed by the user's grip. To check your grip safety for operation, with an unloaded firearm, cock the hammer and with the thumb safety in the downward (FIRE)(b) position attempt to pull the trigger without depressing the grip safety. The hammer should not move or fall. If the hammer falls please contact Wilson Combat® Customer Service.

3. Disconnecter Check

The disconnecter is an internal safety that prevents the pistol from firing fully automatic or out of battery. To check the disconnecter, with an unloaded but cocked firearm retract the slide $\frac{1}{4}$ - $\frac{1}{2}$ inch and pull the trigger. The disconnecter should be disconnected from the sear at this time and prevent hammer fall. If the hammer falls please contact Wilson Combat® Customer Service.

4. Firing Pin Spring

The firing pin spring is what keeps your pistol safe from firing during an accidental drop on to a hard surface. To maintain drop safety you should change your firing pin spring every 5,000 rounds of live fire or 5,000 dry fires. If you need help selecting the appropriate spring for your pistol please contact Wilson Combat® Customer Service.

5. Half Cock

All Wilson Combat® 1911 pistols retain a half-cock notch to prevent the pistol from firing during hammer follow. The half cock notch is a secondary, fail-safe design and half-cock should not be used as a safety or a condition of carry. To check your half-cock function, with an unloaded

firearm, cock the hammer to the half cock position. Attempt to pull the trigger using a full grip. The hammer should not move or drop. If the hammer drops from the half cock notch, please contact Wilson Combat® Customer Service.

6. Hammer Follow

A Wilson Combat® 1911 has a finely tuned hammer and sear surfaces to provide you a safe but light and crisp trigger pull that will last the average shooter a lifetime. If these surfaces become damaged or lose adjustment you may experience the hammer following to half cock when the slide drops on an empty chamber. Because of this, it is never advised to slam or drop the slide on an empty chamber from the fully retracted or slide lock position. When handling a Wilson Combat® 1911 you should always ease the slide down on an empty chamber unless you are feeding ammunition from the magazine to load the firearm. If you experience hammer follow to the half cock notch while loading, handling or shooting your firearm please contact Wilson Combat® Customer Service.

⚠ WARNING: If the firearm fails any step of this function test, immediately contact Wilson Combat® for further instructions. Do NOT use the firearm unless it passes all steps of this function test. If you have any doubts or are unsure of the condition and performance of the firearm, do not use it and immediately contact Wilson Combat®. The failure of any aspect of this function test can mean the firearm is unsafe and not in proper working order. Use of the firearm in this condition could lead to poor performance and cause serious bodily injury or death.

Before Firing Any Handgun

Be sure that the barrel is free from obstructions. Firing a handgun with an obstruction in the barrel could result in serious injury or death.

Confirm that your ammunition and the caliber of your handgun are compatible.

In case of a hang fire (an unexpected delay between the action of pulling the trigger and the ignition of cartridge propellant), keep your handgun pointed in a safe direction for at least 30 seconds. If after 30 seconds the cartridge has not fired, keep face away from ejection port, remove the magazine, clear the chamber, and examine the cartridge that did not fire.

If there is a no indentation on the primer, a very light strike, or off center strike on the primer, please call Wilson Combat® support. Dispose of unfired ammunition in accordance with the manufacturer's guidelines. If you suspect there is a bullet lodged in the barrel, disassemble the unloaded handgun and remove the barrel to confirm. If so, contact Wilson Combat®.

⚠ WARNING: Do not fire any handgun if a bullet is lodged in the barrel. Doing so creates extreme pressure and could result in serious injury or death.

Never pull the trigger if the slide has not fully closed. This could induce an out of battery firing which can cause an escape of pressure toward the shooter and cause serious injury.

Clearing Malfunctions

All semi-automatic handguns may experience a malfunction from time to time. Most malfunctions are caused by improper maintenance, out of spec ammunition, improperly maintained magazines or insufficient grip. To minimize the frequency of malfunctions, your handgun should be maintained in accordance with this instruction manual.

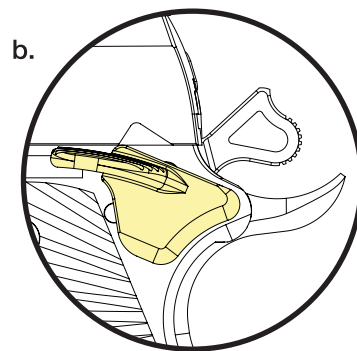
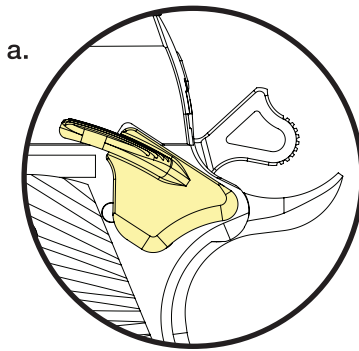
To clear a malfunction, always keep the handgun pointed in a safe direction. Keep your finger outside of the trigger guard at all times, take note of the type of malfunction so that remedial maintenance or repair can be performed if necessary. Retract the slide to its fully rearward position and lock it open. Remove the magazine and clear the malfunction using your fingers or a small wooden tool. (Metal tools should not be introduced into the action of a handgun as they can cause damage or detonate the primer of the cartridge.)

If you are unable to clear the malfunction, contact Wilson Combat® or your local gunsmith for further instructions.

Operation Controls

Safety

The handgun is equipped with a manual thumb operated safety that is located on the left side of the frame towards the rear. When the safety is in the SAFE (up)(**a**) position, the trigger action is blocked and the handgun will not fire. To fire the handgun, flip the safety lever down and forward to the FIRE (down)(**b**) position. This firearm also has a grip safety that blocks the trigger that must be depressed completely for the handgun to fire. Failure to depress the grip safety while firing will result in an inoperable firearm.



Loading Your Handgun

⚠ WARNING: The process for loading your handgun is simple, but if not done correctly, could be dangerous or deadly. Keep the gun pointed in a safe direction and your finger off the trigger during the entire loading sequence.

Loading the handgun is done in three simple steps.

1. Load the magazine (pg #29)
2. Inserting the magazine into the handgun (pg #30)
3. Loading the chamber and activating the safety (pg #30)

Loading the Magazine

1. Hold the magazine in your non-dominant hand with the feed lips up, and the opening in the top of the magazine pointing outward.
2. With your shooting hand, insert a cartridge through the opening in the top of the magazine while pressing down on the spring-loaded follower. Press down and to the rear of the magazine until the cartridge is positioned completely in the magazine. The base of the cartridge should rest against the rear of the magazine. Repeat until the magazine is full.

Loading Your Handgun (Cont.)

Inserting the Magazine

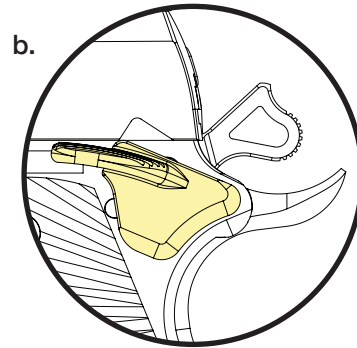
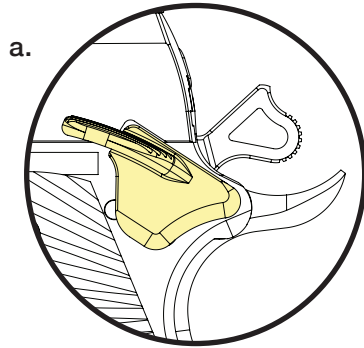
1. Hold the handgun in your shooting hand with it pointed in a safe direction.
2. Insert the magazine into the magazine well of the handgun, with the tip of the ammunition pointed forward, until the magazine locks into place.

Loading the Chamber and Activating the Safety

⚠ WARNING: While loading, keep the muzzle of the handgun pointed in a safe direction with the safety in the FIRE (down)(b) position, finger off the trigger and outside the trigger guard. The slide will not retract, and you will not be able to load the handgun if the safety is in the SAFE (up)(a) position.

1. Pull the slide fully back and visually inspect the chamber for any obstructions.
2. Load the chamber by releasing the slide allowing the slide to snap back into the forward position on its own. Do not slowly lower the slide or interfere with its forward movement in any way.
3. Move the thumb safety to the SAFE (up)(a) position until you are ready to fire the handgun.

The gun is now ready to fire and should always be pointed in a safe direction. **Do not shoot your handgun unless you are sure of your target and what exists beyond and behind it.**

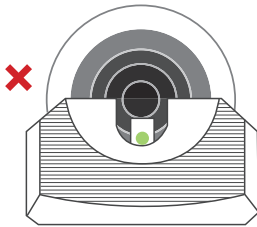


⚠ WARNING: Death, serious bodily harm, or malfunctions may occur by using incorrect, out of spec, or low-quality ammunition in your handgun.

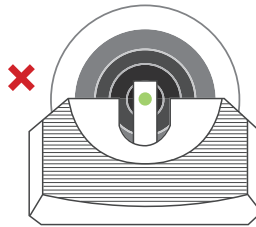
Firing

Once you are sure of your target and what is behind it, you may now fire the handgun when ready. Keep your finger off the trigger until you are ready to fire. Use the sight picture diagram to align your sights correctly on the target. When ready, move the thumb safety to the FIRE (down) **(b)** position and pull the trigger straight to the rear without disturbing the sight alignment. Repeat as necessary.

When you are done shooting, unload the handgun and move the thumb safety to the SAFE (up)**(a)** position or point the handgun in a safe direction and dry fire the handgun to lower the hammer to its forward position against the back of the slide.



Bullet Low Impact



Bullet High Impact



Bullet On Target

Unloading

⚠ WARNING: The process for unloading your handgun is simple, but if not done correctly, could be dangerous or deadly.

Unloading the handgun is done in three simple steps.

1. Remove the magazine.
2. Retract the slide to unload the chamber.
3. Visually and physically confirm there is not a cartridge in the chamber, and the magazine is not in the handgun.

Fixed Sight Adjustment And Care

Your Wilson Combat® fixed rear sight is user adjustable for windage.

Tools Needed: T10 Torx drive, bench vise, non-marring punch, hammer or sight pusher for 1911 style pistols.

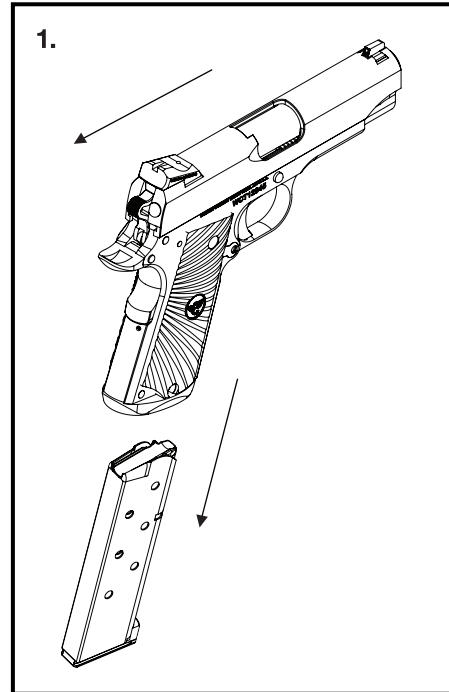
1. Loosen the dual T10 Torx screws and move the sight in the direction you want to move bullet impact. It is recommended that you secure your slide in a non-marring vise or use an armorer's sight pushing tool.
2. Tap/move the rear sight with a non-marring punch in the direction you want your point of impact to move.
3. Once your sight is properly adjusted, firmly hand-tighten T10 Torx screws.
4. After confirming zero at the range, remove screws and reinstall with blue threadlocker for a semi-permanent installation.

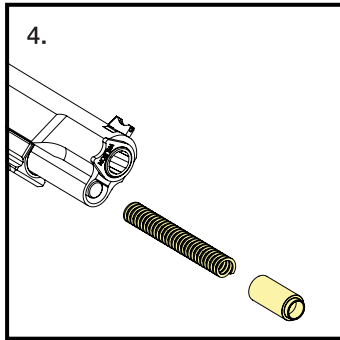
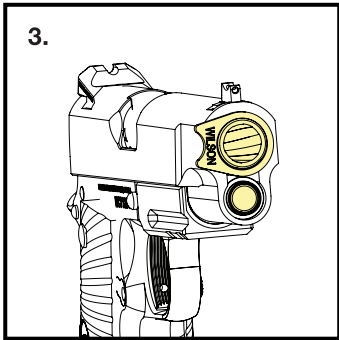
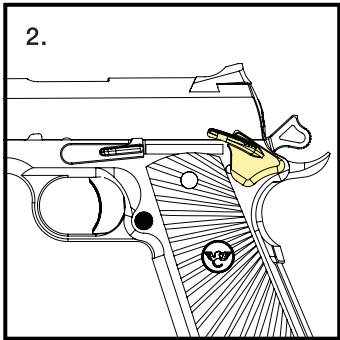
Your pistol's dovetail front sight can be changed to a different height to alter elevation. Most Wilson Combat® dovetail front sights will require gunsmith fitting. Please contact our service department for more information.

Bushing Barrel Style 1911 With Full Length Guide Rod

⚠ WARNING: Wear adequate eye protection when disassembling this or any handgun.

1. Remove magazine, retract slide, and visually inspect chamber to ensure your pistol is unloaded.
2. Lower slide and engage thumb safety.
3. Depress recoil spring plug with a non-marring bushing wrench and slowly rotate bushing clockwise while capturing the recoil spring plug.
4. Slowly ease the plug out of the slide and set aside. This assembly is under heavy spring tension-always wear safety glasses and point in a safe direction.
5. Disengage thumb safety, align slide until the slide lock aligns with the rear takedown notch (half moon cut out on slide) and push the slide stop shaft from right to left and set aside.

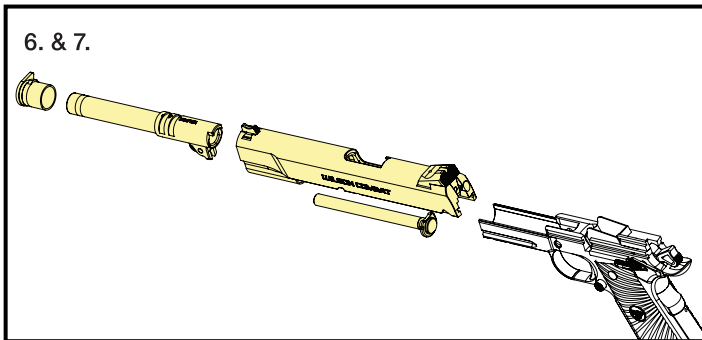
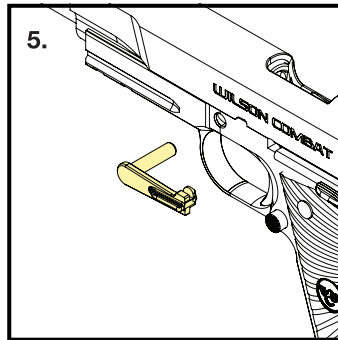
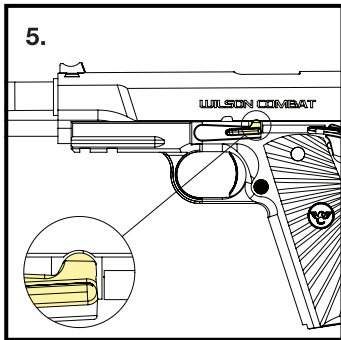




6. At this time you can remove the slide assembly from the frame.

7. Remove the recoil spring, barrel bushing, barrel, and recoil spring plug from the slide assembly. If the bushing is a tight fit in the slide, use the barrel to tap the bushing out of the slide with light tapping.

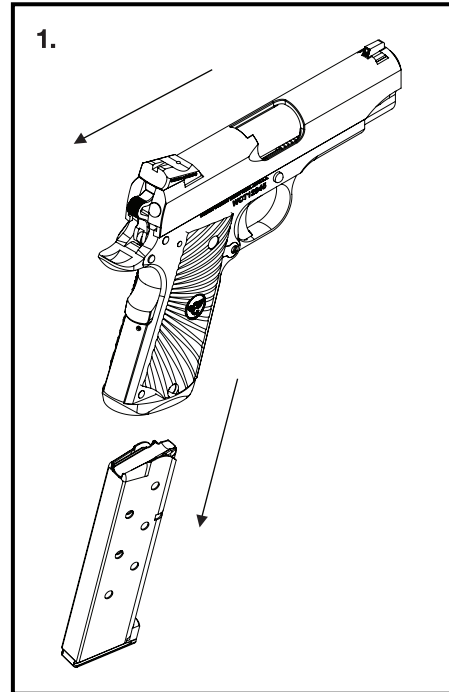
The pistol is now field stripped for normal cleaning and lubrication.

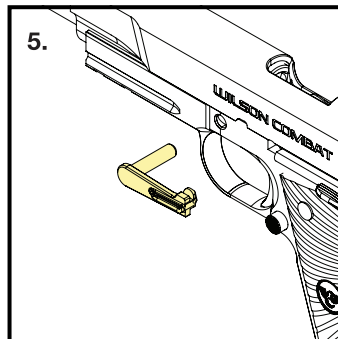
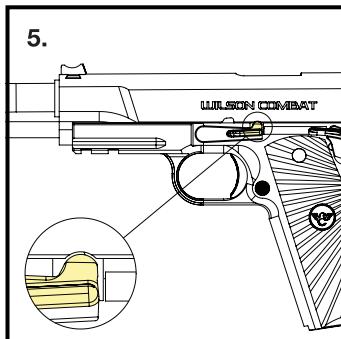
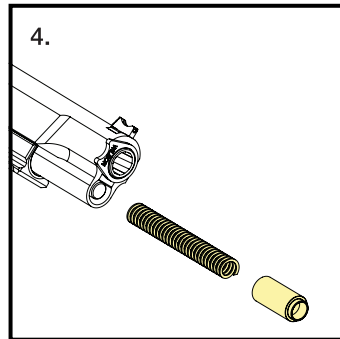
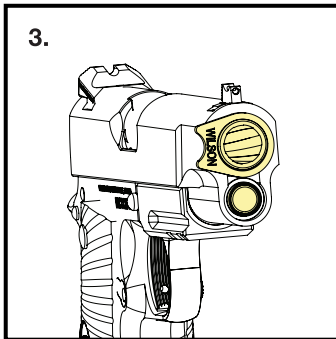
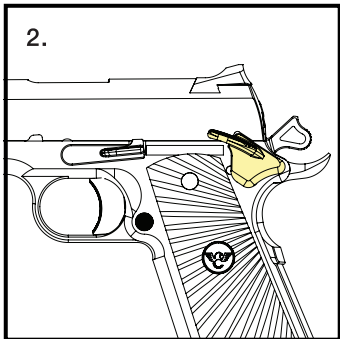


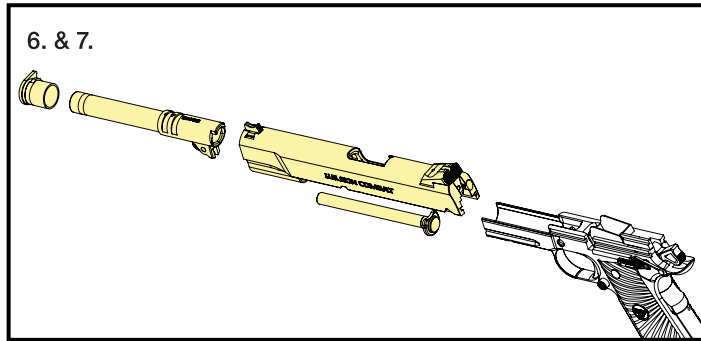
Bushing Barrel Style 1911 With A Standard Guide Rod

⚠ WARNING: Wear adequate eye protection when disassembling this or any handgun.

1. Remove magazine, retract slide, and visually inspect chamber to ensure your pistol is unloaded.
2. Lower slide and engage thumb safety.
3. Depress recoil spring plug with a non-marring bushing wrench and slowly rotate bushing clockwise while capturing the recoil spring plug.
4. Slowly ease the plug out of the slide and set aside. This assembly is under heavy spring tension-always wear safety glasses and point in a safe direction.
5. Disengage thumb safety, align slide until the slide lock aligns with the rear takedown notch (half moon cut out on slide) and push the slide stop shaft from right to left and set aside.







6. At this time you can remove the slide assembly from the frame.

7. Remove the recoil spring, barrel bushing, barrel, and recoil spring plug from the slide assembly. If the bushing is a tight fit in the slide, use the barrel to tap the bushing out of the slide with light tapping.

The pistol is now field stripped for normal cleaning and lubrication.

Cone Barrel 1911, 3/4 Length Guide Rod, No Takedown Pin Hole

⚠ WARNING: Wear adequate eye protection when disassembling this or any handgun.

1. Remove magazine, retract slide and visually inspect chamber to ensure your pistol is unloaded.
2. Retract the slide while simultaneously pushing the slide stop shaft from right to left to remove the slide from the frame.
3. Capture the slide to prevent it from sliding off the frame. The non-captured recoil spring is under extreme tension and must be captured while you remove the slide. Remove guide rod and recoil spring.
4. Remove the reverse plug from slide and finally the barrel from the front of the slide.

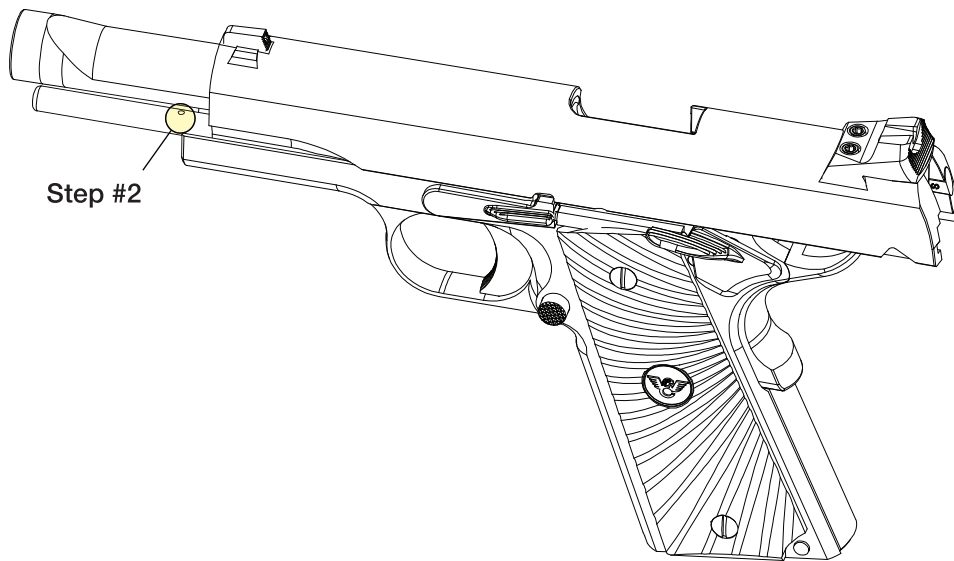
The pistol is now field stripped for normal cleaning and lubrication.

Cone Barrel Style 1911 (Takedown Pin Style)

⚠ WARNING: Wear adequate eye protection when disassembling this or any handgun.

1. Remove magazine, retract slide and visually inspect the chamber to ensure your pistol is unloaded. Lock slide back to the rear with the slide stop.
2. Using a supplied takedown pin, insert the head of the pin into the drilled hole midway through your full-length guide rod. If you lose this pin, a small paper clip bent in an “L” shape or a small finishing nail that fits inside the hole, trimmed to .250” can also work just fine. This pin captures your spring assembly to enable disassembly.
3. This assembly is under heavy spring tension-always wear safety glasses and point in a safe direction.
4. With the pin in the hole, slowly lower your slide until the slide stop aligns with the slide rear takedown notch (half moon cut out on the slide) and push the slide stop shaft from right to left and set aside.
5. At this point you can remove the slide from the frame and the captured recoil assembly can be removed. The captured recoil spring plug is under extreme tension. To disassemble this assembly for cleaning/spring changes we recommend securing the guide rod in a non-marring vise to remove the takedown pin.
6. Remove the barrel from the front of the slide.

The pistol is now field stripped for normal cleaning and lubrication.



Step #2

1911 With 2-Piece Guide Rod

⚠ WARNING: Wear adequate eye protection when disassembling this or any handgun.

1. Remove magazine, retract slide and visually inspect chamber to ensure your pistol is unloaded. Lower slide and engage thumb safety.
2. Unscrew and remove the front half of the two-piece guide rod with the appropriate hex head wrench.
3. Depress recoil spring plug with a non-marring bushing wrench and slowly rotate bushing clockwise while capturing the recoil spring plug.
4. Slowly ease the plug out of the slide and set aside. This assembly is under heavy spring tension-always wear safety glasses and point in a safe direction.
5. Disengage thumb safety, align slide until the slide lock aligns with the rear takedown notch (half moon cut out on slide) and push the slide stop shaft from right to left and set aside.
6. At this time you can remove the slide assembly from the frame.
7. Remove the recoil spring, barrel bushing, barrel and recoil spring plug from the slide assembly. If the bushing is a tight fit in the slide, use the barrel to tap the bushing out of the slide with light tapping.

The pistol is now field stripped for normal cleaning and lubrication.

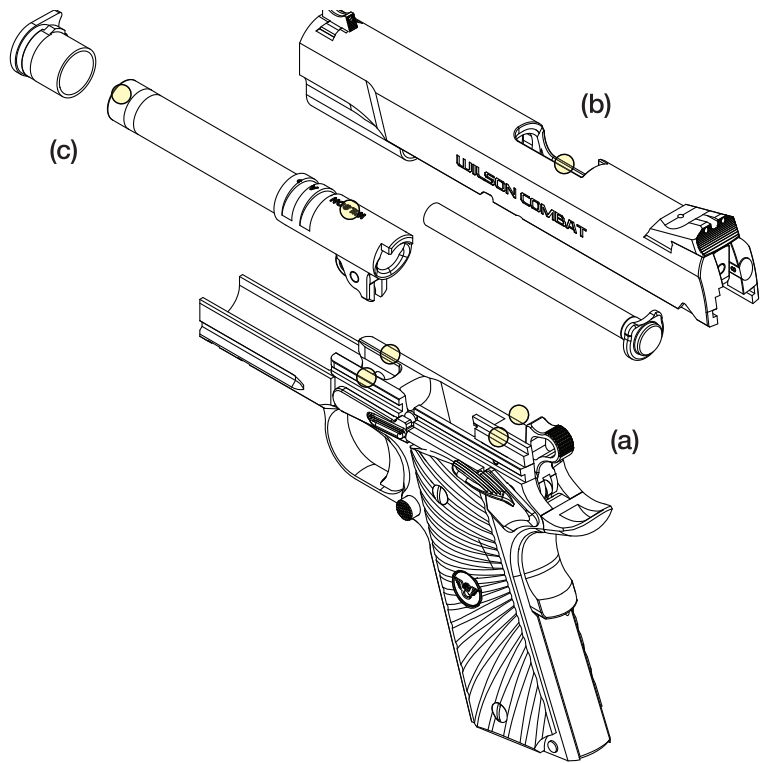
1911 Reassembly Instructions

Reassemble in reverse order as shown above for each style of 1911 handgun. For more information refer to our website www.wilsoncombat.com or our YouTube channel [gowilson-combat](#) for helpful tips on how to operate, clean and maintain your firearm.

Recommended Maintenance For Wilson Combat® Handguns

Your handgun was fired during the manufacturing process by a professional test shooter to ensure its reliability. To make your first range trip a pleasant one, use full power, standard velocity brass cased factory ammo and adequately lubricate prior to shooting. To meet our stringent accuracy guarantee, our handguns are built to tight tolerances and will require regular lubrication and cleaning at recommended intervals for best function.

1. Closely inspect your handgun upon receipt.
2. Prior to your first range trip, adequately lubricate all bearing surfaces with Ultima-Lube™ II Oil or equivalent. For 9mm caliber 1911 handguns with light recoil springs we recommend Ultima-Lube™ II Light Oil or equivalent.
3. Quickly lubricate by locking the slide back and adding a few drops of oil to the slide rail grooves **(a)**, barrel chamber area **(b)**, muzzle area **(c)** and then hand cycle to adequately disperse lubricant.



Every 300-500 rounds:

Field strip, quick clean, wipe internal bearing surfaces with solvent and rag and re-lubricate. Replace your Shok-Buff® at this time if using a heavy caliber (.45ACP/10mm). Replace your Shok-Buff® as needed (Every 300-500 rounds in heavy calibers, up to 1000 rounds in 9mm). Clean external surfaces with a silicone rag to prevent corrosion.

Every 5000 rounds:

Detail strip entire pistol. Clean all parts well and inspect each for wear. Check extractor tension to ensure your extractor firmly holds a case. Replace firing pin spring with new Extra Power spring to ensure drop safety. Replace recoil spring with appropriate weight spring- there is a model specific guide available on www.shopwilsoncombat.com. Detail strip video instructions can be found on www.wilsoncombat.com.

Recommended lubricant:

60 degrees or warmer – Ultima-Lube™ II Oil or equivalent
Under 60 degrees – Ultima-Lube™ II Light Oil or equivalent

For Reliable Function, It Is Advised To Clean Your Handgun Thoroughly As Soon As Operation Becomes Sluggish Or Impaired.

Apply Wilson Combat® Carbon Remover or Universal Bore Cleaner to internal areas of the disassembled handgun that are caked with fouling or carbon.

When cleaning the bore, use slow complete strokes (full length of bore) with a properly sized nylon brush. Allow to stand for 3 to 5 minutes then wipe clean with a dry patch.

Wipe away dirt and fouling on the interior and exterior of the handgun with non-abrasive patches or swabs.

After cleaning, lightly lubricate the moving parts of the handgun with Ultima-Lube™ II Light Oil. Make sure to lubricate the barrel locking surfaces and frame/slide rails.

You are now ready to reassemble the handgun.

Other Information And Precautions

We only recommend high quality, standard pressure or +P ammunition. The use of +P ammunition or any ammunition outside SAAMI specifications is not advised and may cause excessive wear and tear or cause reliability issues.

Further Maintenance

Firing Pin Removal

We recommend occasional removal of the firing pin for cleaning of the firing pin channel and firing pin spring replacement.

⚠ WARNING: Wear eye protection at all times when servicing the handgun. Modern handguns contain springs that are under compression and can eject with significant striking force causing eye or other bodily injury. If any handgun component begins to show damage, unusual or excessive wear, or breakage, stop using the handgun immediately and contact Wilson Combat®.

Before removing the firing pin and stop, make sure that the rear of the slide is pointed in a safe direction.

- 1.** While firmly holding the rear of the slide, depress the firing pin with a 1/8" punch tool; releasing the spring tension holding the stop in place.
- 2.** Use your finger to retain the firing pin while sliding the stop down and out of the way. This will keep the firing pin from ejecting from the slide.
- 3.** Slowly allow the firing pin spring to release its compressed spring tension and then remove it from the slide.
- 4.** Remove the firing pin spring from the firing pin by turning the firing pin clockwise and firmly pulling off the spring.

Reinstall the firing pin by reversing the instructions.

Further Maintenance

Inspecting The Shok-Buff®

Every time you clean your pistol, it's important to check your Wilson Combat® Shok-Buff® for any visible signs of cutting or damage. At the minimum, replace the buffer every 1200 rounds. Remove the Shok-Buff® from the base of the guide rod, inspect both sides, and replace if cut, torn, or swollen. Wipe down the guide rod with a clean patch, and align the groove at the top of the Shok-Buff® with the base of the guide rod before fitting the recoil spring. The Buffer is recommended for general use but not required for safe and reliable operation.

Cleaning The Barrel

To clean your barrel, attach a nylon bore brush of the correct caliber to a cleaning rod, and apply bore cleaner liberally. Run the brush through the bore several times, pushing the rod all the way through. Spray degreaser through the barrel, and allow to dry. Replace the brush on the cleaning rod with a slotted tip, and run patches through the bore until they are no longer dirty.

Shok-Buff® Recoil Buffer FAQ

The Shok-Buff® prevents the slide from battering the frame during recoil by sandwiching a 1/10" thick injection molded polymer buffer between the slide and frame contact areas. When you are shooting high-performance loads in your 1911 style pistol, you want the extra protection that the original Shok-Buff® provides.

Do I really need a Shok-Buff®?

The Shok-Buff® helps absorb the blow of the slide against the frame and transfers some of the slide's impact into the polymer buffer, reducing wear and tear on your frame. The Shok-Buff® also alters the recoil impulse of the pistol to a slightly softer feel and may improve your shooting in rapid fire. If you want maximum frame protection and prefer the softer recoil signature you may like the Shok-Buff®.

Your pistol will function fine with or without a Shok-Buff®.

Because the Shok-Buff® slightly reduces slide travel we do not recommend its installation in .45 ACP pistols with barrel lengths less than 5 inches. You can generally use a Shok-Buff® in 9mm handguns with up to 1" shortened slides, like the Wilson Combat® models with 4" barrels, without negatively impacting reliability.

When Do I Replace the Shok-Buff®?

A Shok-Buff® can last over 1000 rounds before it requires replacement depending on caliber, recoil spring weight, and slide velocity. In larger calibers like 10mm and .45 ACP using factory ammunition, the Shok-Buff® will usually require replacement at shorter intervals, typically between 300-500 rounds. In 9mm the Shok-Buff® can last well over 1000 rds since the recoil impulse and slide velocity from the cartridge is very low in a 1911 style handgun.

A good rule of thumb is to replace your pistol's Shok-Buff® every few hundred rounds or when it becomes swollen or torn. When a Shok-Buff® deforms after high round count or a repeated pounding of heavy caliber loads it will slow slide travel and your pistol's slide operation will become sluggish, causing malfunctions.

If you carry a pistol for self-defense it should have a new Shok-Buff® installed after your last range trip and prior to defensive carry. If you fail to maintain/replace your buff at these recommended intervals you should remove it prior to self-defense/service use.

Who uses a Shok-Buff®?

Many top competitive and defensive shooters use a Shok-Buff®. In fact, almost all top competitive shooters use a Shok-Buff® for the change in recoil impulse and frame protection on very high round count guns.

USMC Force Recon used Shok-Buff® for decades to preserve the frames of their custom 1911 service weapons built on older 1911A1 pistols (NSN - 1005013737868).

Suggested Replacement Cycle for Shok-Buff®?

.45 ACP/10mm - Every 300-500 rounds or when Shok-Buff® gets torn, deformed or swollen or ANY time slide travel is impeded.

.38 Super - Every 500 rounds or when Shok-Buff® gets torn, deformed or swollen or ANY time slide travel is impeded.

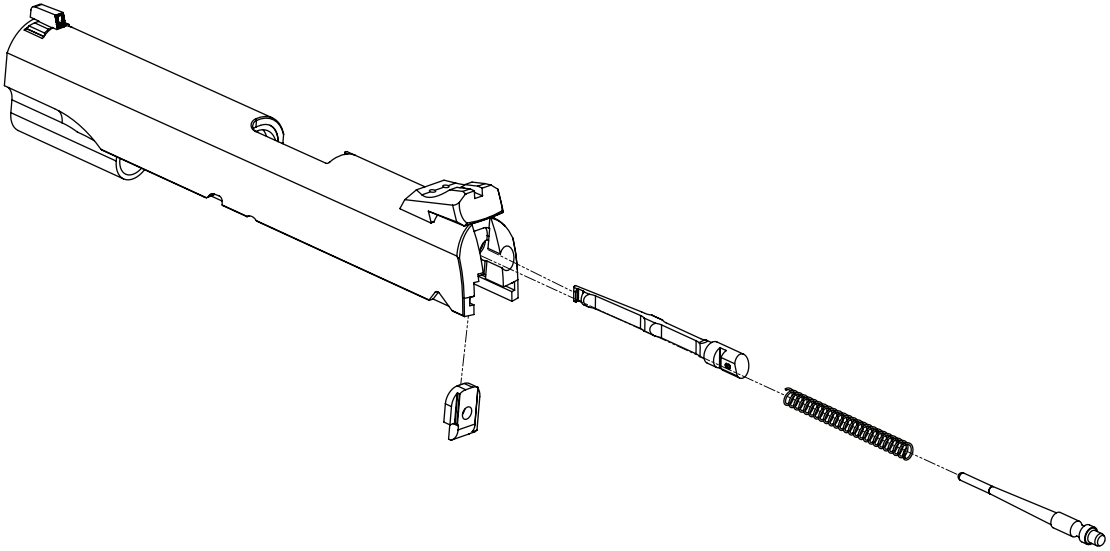
9mm - Every 600-1200 rounds or when Shok-Buff® gets torn, deformed or swollen or ANY time slide travel is impeded.

Further Maintenance

1911 Extractor Removal/Cleaning

To remove the extractor, first, remove the slide from the pistol. You can remove the barrel and recoil system and set aside. Using a non-marring 1/8" punch or similar tool, push your firing pin in and simultaneously lower firing pin stop down and out of the pistol-Caution-your firing pin is under spring tension and must be captured during this operation. Set firing pin assembly and firing pin stop aside. Using a non-marring punch, remove extractor from the rear of the slide. In calibers with smaller case heads than .45 ACP, you will need to start the claw of the extractor in the extractor tunnel at the breach face with a non-marring punch or tool and then you will be able to pry it out of the tunnel. Clean extractor well with Wilson Combat® Carbon Remover or Universal Bore Cleaner and clean extractor tunnel with a .22 caliber bore brush. Reassemble in reverse order, taking care not to bend the extractor during this process.

Test your extractor by placing a dummy round under your extractor hook. Your extractor should hold an empty case firmly at a 90 degree angle.



1911 HANDGUN

Parts List

1. Slide
2. WC Match Grade Barrel
3. Barrel Bushing
4. Barrel Link
5. Barrel Link Pin
6. Guide Rod
7. Shok-Buff®
8. Recoil Spring
9. Recoil Spring Plug
10. Firing Pin Stop
11. Firing Pin
12. Firing Pin Return Spring
13. Extractor

*WC = Wilson Combat

14. Rear Sight
15. Rear Sight Set Screw (x2)
16. Front Sight
17. Reverse Recoil Spring Plug
18. Frame
19. Mainspring Housing Pin
20. Plunger Tube
21. Slide Stop Plunger
22. Plunger Tube Spring
23. Safety Plunger
24. Slide Stop
25. Ejector
26. Thumb Safety
27. Hammer Pin
28. Sear Pin
29. Ejector Pin
30. Magazine Release
31. Magazine Catch Spring
32. Magazine Catch Lock
33. Grip (x2 Left/Right)
34. Grip Screw Bushing (x4)
35. Grip Screw Bushing O-Ring (x4)
36. Grip Screw O-Ring (x4)
37. Grip Screw (x4)
38. WC Medallion (x2)
39. Disconnecter
40. Sear
41. Hammer
42. Hammer Strut Pin
43. Hammer Strut
44. Mainspring Cap
45. Hammer Spring
46. Mainspring Cap Retainer Pin
47. Mainspring Housing Cap Pin
48. Mainspring Housing
49. Trigger Pad/Bow Assembly
50. Trigger Overtravel Screw
51. Beavertail Grip Safety
52. Sear Spring

Slide Assembly With Bushing

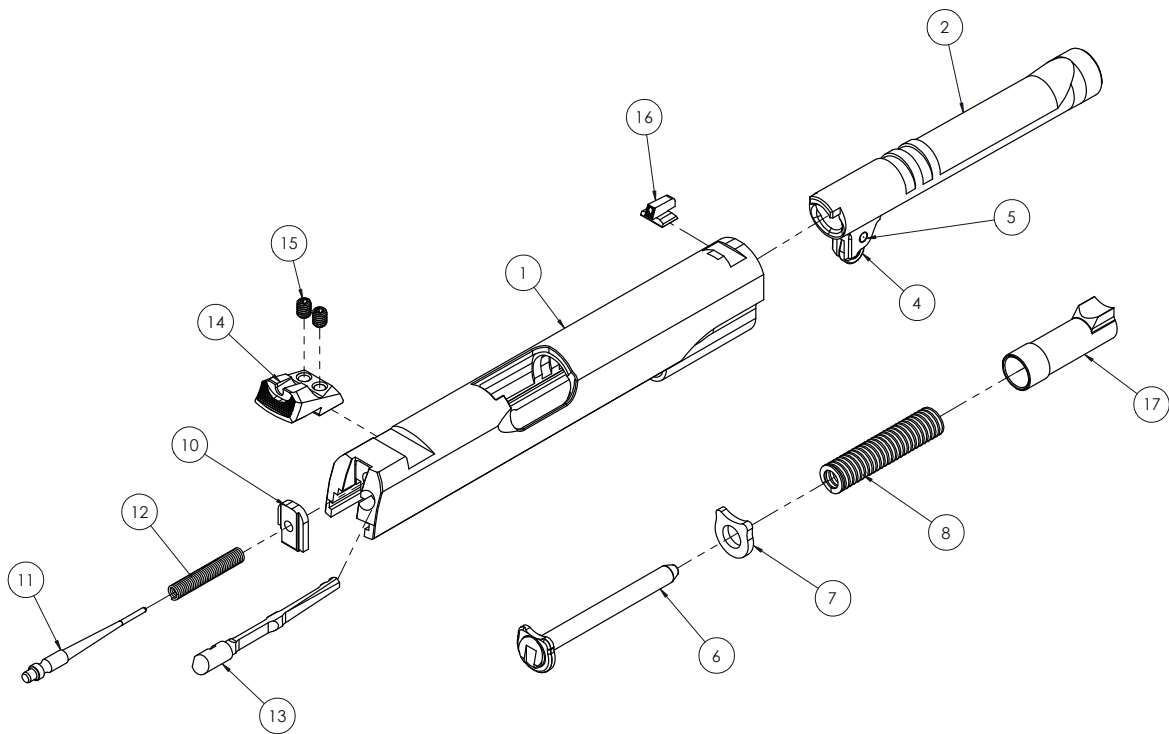
Full-Size / Commander

1. Slide
2. WC Match Grade Barrel
3. Barrel Bushing
4. Barrel Link
5. Barrel Link Pin
6. Guide Rod
7. Shok-Buff®
8. Recoil Spring
9. Recoil Spring Plug
10. Firing Pin Stop
11. Firing Pin
12. Firing Pin Return Spring
13. Extractor
14. Rear Sight
15. Rear Sight Set Screw (x2)
16. Front Sight

Slide Assembly Without Bushing

Compact / Professional / Sentinel / Flange / Hunter

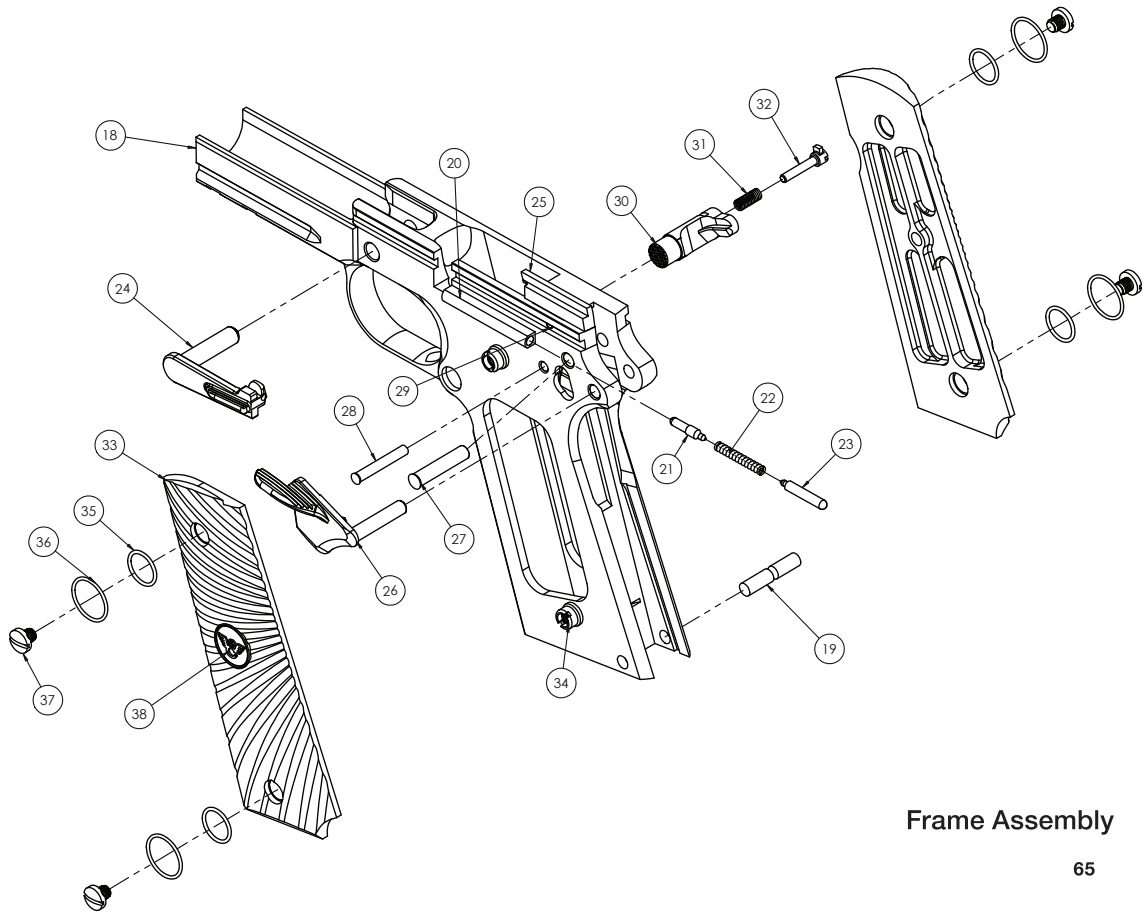
- | | |
|--------------------------|--------------------------------|
| 1. Slide | 11. Firing Pin |
| 2. WC Match Grade Barrel | 12. Firing Pin Return Spring |
| 4. Barrel Link | 13. Extractor |
| 5. Barrel Link Pin | 14. Rear Sight |
| 6. Guide Rod | 15. Rear Sight Set Screw (x2) |
| 7. Shok-Buff® | 16. Front Sight |
| 8. Recoil Spring | 17. Reverse Recoil Spring Plug |
| 10. Firing Pin Stop | |



Slide Assembly Without Bushing

Frame Assembly

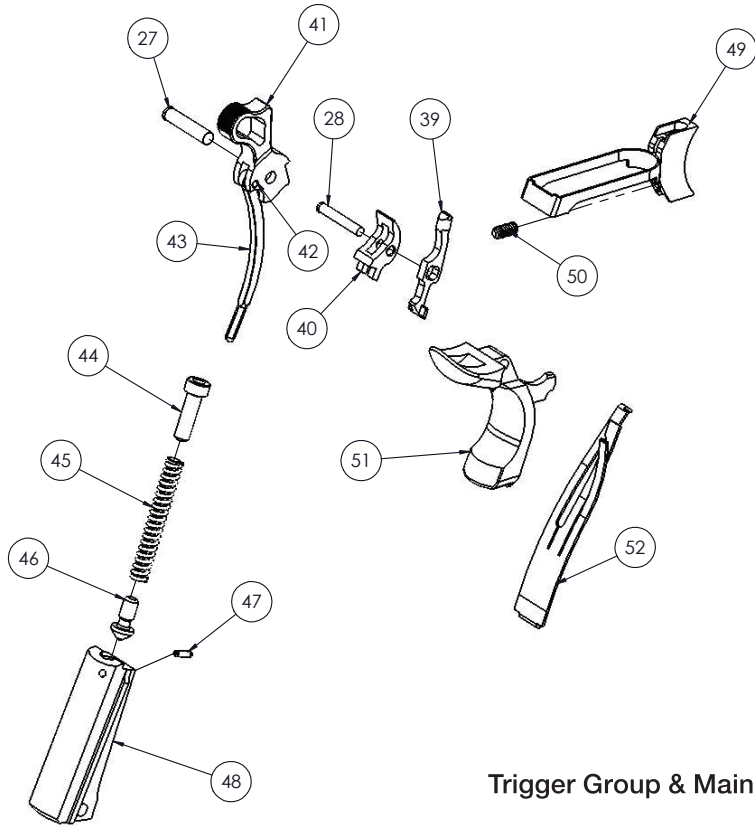
- 18. Frame
- 19. Mainspring Housing Pin
- 20. Plunger Tube
- 21. Slide Stop Plunger
- 22. Plunger Tube Spring
- 23. Safety Plunger
- 24. Slide Stop
- 25. Ejector
- 26. Thumb Safety
- 27. Hammer Pin
- 28. Sear Pin
- 29. Ejector Pin
- 30. Magazine Release
- 31. Magazine Catch Spring
- 32. Magazine Catch Lock
- 33. Grip (x2 Left/Right)
- 34. Grip Screw Bushing (x4)
- 35. Grip Screw Bushing O-Ring (x4)
- 36. Grip Screw O-Ring (x4)
- 37. Grip Screw (x4)
- 38. WC Medallion (x2)



Frame Assembly

Trigger Group & Mainspring Assembly

- 27. Hammer Pin
- 28. Sear Pin
- 39. Disconnecter
- 40. Sear
- 41. Hammer
- 42. Hammer Strut Pin
- 43. Hammer Strut
- 44. Mainspring Cap
- 45. Hammer Spring
- 46. Mainspring Cap Retainer Pin
- 47. Mainspring Housing Cap Pin
- 48. Mainspring Housing
- 49. Trigger Pad/Bow Assembly
- 50. Trigger Overtravel Screw
- 51. Beavertail Grip Safety
- 52. Sear Spring



Trigger Group & Mainspring Assembly

Handgun Ownership Record

INSTRUCTION: Record the **(1)** model, **(2)** serial number, **(3)** date of purchase, **(4)** identity of seller and buyer, **(5)** and price paid. This manual should be transferred with the handgun as part of every sale or transfer in ownership.

Cleaning And Maintenance Tips

1. Regular and proper maintenance of your handgun is important to its ability to function reliably and safely. Never disassemble your handgun beyond the instructions in this manual.
2. Make sure your handgun is unloaded before cleaning.
3. Always wear safety glasses during cleaning.

4. Purchase cleaning supplies that are specifically designated for your handgun and the caliber of handgun. Follow the instructions provided with the cleaning supplies.
5. Remove excessive firing residue from the bore and chamber using a properly fitted brush. Remove any cleaning solution, excess oil, debris, and fingerprints from the outside surfaces of the handgun. Clean the exterior of the handgun using a non-abrasive cleaning cloth.
6. After cleaning, lightly coat the metal parts, both internal and external, with a high quality gun oil.
7. After cleaning, do not encase your handgun in anything that will attract or hold excess moisture such as, for example, leather or heavy cloth.
8. Every time you clean your handgun, check it for signs of wear. If wear is noted, do not use the handgun. Contact Wilson Combat® immediately.

Maintenance Record And Notes

INSTRUCTION: Record **(1)** the date of service, **(2)** a summary of the maintenance performed, and **(3)** the identity of the person who performed the maintenance.

⚠ WARNING: Never adjust or alter the internal components of this handgun unless specifically directed to do so in this manual. Doing so may cause an unsafe condition and could result in serious injury or death. Please contact Wilson Combat® directly if you feel the handgun is in need of alteration or adjustment that is not covered in this manual. Anyone other than a Wilson Combat® gunsmith performing gunsmithing or repair work on your handgun may result in a nullification of our customer service policy.

