



## Safety & Instruction Manual

# ***CRACKSHOT™***



**WARNING: Read the instructions and warnings in this manual CAREFULLY BEFORE using this Traditions™ firearm.**

If you do not understand any aspect of this manual seek firearm instruction from a qualified, professional instructor **BEFORE** you handle, load or use this firearm.

Traditions™ Performance Firearms  
1375 Boston Post Road  
P.O. Box 776  
Old Saybrook, CT 06475  
(860) 388-4656  
[www.traditionsfirearms.com](http://www.traditionsfirearms.com)

FIT-62

AKH 04-15

## **Your CRACKSHOT™ Rifle**

Congratulations on your purchase of the Traditions™ Crackshot™ Rimfire Rifle. When given the respect and care that any firearm demands, you can expect many years of reliable service and enjoyable hunting from your Traditions™ rifle.

**Caution: Please read and understand all information in this booklet before using your new Traditions™ firearm. If all safety information is not read and the WARNING, CAUTION and IMPORTANT statements are not understood, death or injury could result.**

### **IMPORTANT!**

A person using any firearm has elected to take on an enormous responsibility. This manual contains instructions and safety precautions for the safe, enjoyable use of your Traditions™ rifle. Shooting a firearm is a serious endeavor. These instructions and precautions should always be followed during each shooting session.

## **WARNING!**

**YOU MUST READ THESE INSTRUCTIONS AND WARNINGS CAREFULLY. BE SURE THAT YOU UNDERSTAND THESE INSTRUCTIONS AND WARNINGS BEFORE USING THIS OR ANY TRADITIONS™ FIREARM. FAILURE TO READ THESE INSTRUCTIONS AND FOLLOW THESE WARNINGS MAY RESULT IN SERIOUS INJURY OR DEATH TO YOU AND OTHERS AND DAMAGE TO PROPERTY.**

**This SAFETY & INSTRUCTION MANUAL should always accompany this firearm and be transferred with it upon change of ownership or when the firearm is presented to another person.**

**Always keep your firearm pointed in a safe direction with your finger off the trigger until you are ready to fire. Never point a firearm at anything you do not intend to shoot and always be sure of what is beyond your target.**

**If you don't have a manual, a printed copy is available free upon request by contacting Traditions™ at the address below. A manual is also available via download at [www.traditionsfirearms.com](http://www.traditionsfirearms.com)**

**• CUSTOMER SUPPORT •  
Traditions™ Performance Firearms  
1375 Boston Post Road  
P.O. Box 776  
Old Saybrook, CT 06475  
(860) 388-4656  
[www.traditionsfirearms.com](http://www.traditionsfirearms.com)**

## **TABLE OF CONTENTS**

1. GENERAL SAFETY RULES.....	5
2. SAFE STORAGE & TRANSPORTATION.....	10
3. BASICS OF THE CRACKSHOT.....	12
4. SAFETIES ON THE CRACKSHOT.....	14
5. FUNCTION TESTING & INITIAL CLEANING.....	15
6. AMMUNITION INFORMATION.....	18
7. LOADING & UNLOADING.....	19
8. COCKING/DE-COCKING.....	21
9. FIRING THE CRACKSHOT.....	22
10. MISFIRES, HANGFIRES, & SQUIB LOADS.....	23
11. SCHEMATIC.....	24
12. DISASSEMBLY & CLEANING.....	25
13. SCOPE MOUNTING & SIGHTING IN.....	28
14. WARRANTY & SERVICE.....	30

# **1. YOUR SAFETY RESPONSIBILITIES** **SAFETY IS YOUR NUMBER ONE RESPONSIBILITY!!!!**

No matter if you are at home, in the field, at the range, or anywhere; your primary concern as a firearm owner must always be safety. You must always apply the following safety rules in every situation with any kind of firearm regardless of setting. If you feel unsure about any aspect of your firearm or its operation, please contact Traditions™ before using it.

**WARNING: YOU MUST FOLLOW ALL OF THESE SAFETY RULES TO ENSURE THE SAFE USE OF YOUR FIREARM. THE FAILURE TO FOLLOW THE INSTRUCTIONS AND WARNINGS IN THIS MANUAL COULD CAUSE SERIOUS PERSONAL INJURY OR DEATH TO YOU OR OTHERS AND DAMAGE TO PROPERTY.**

When you become a firearm owner, you take on a serious and demanding responsibility. How seriously you take this responsibility can be the difference between life and death. There is no excuse for reckless or abusive handling of your firearm. At all times you must handle your firearm with an intense respect for its power and potential danger.

**SAFE FIREARMS HANDLING IS YOUR PERSONAL RESPONSIBILITY ALWAYS.** Firearms have the potential to be dangerous resulting in serious injury or death if they are misused or handled inappropriately. Safety must always be the primary concern of anyone who owns or handles firearms. Accidents are the result of violating the rules of safe firearm handling. Professional firearm safety training is available to supplement the safety instruction in this manual. Some examples of organizations to contact are your local firearms dealer, state conservation department, hunter safety department, law enforcement agency, local sportsman's club, NSSF, and The National Rifle Association (NRA) for availability of firearms training.

**FIREARM SECURITY IS YOUR PERSONAL RESPONSIBILITY. ALWAYS SAFELY STORE AND SECURE YOUR FIREARM.** You must ensure that your firearms are securely and safely stored so that children and/or unauthorized users may not obtain them. Your firearms should always be kept unloaded and locked when not in use or in your immediate control. Never assume that the use of a lock alone is sufficient to safely secure your firearm. You must continually evaluate your personal situation and employ security systems that prevent children and unauthorized users from gaining access to your firearm. It is recommended that you secure ammunition in a locked container separate from your firearms.

## **10 COMMANDMENTS OF FIREARM SAFETY**

### **1. ALWAYS KEEP YOUR FIREARM POINTED IN A SAFE DIRECTION.**

Never point the muzzle of a firearm at anyone or anything you do not intend to shoot. This is especially important when loading, unloading, or field stripping the gun. ALWAYS control the direction of the firearm. Many incidents have occurred because people pointed what they thought was an unloaded firearm in an unsafe direction.

### **2. ALWAYS TREAT A FIREARM AS IF IT IS LOADED AND WILL FIRE.**

Never assume or take anyone's word that the firearm is unloaded. You must always physically check for yourself. Never pass a loaded firearm to another person. You must first open the action and then visually check that it is empty before passing the firearm to another person. Keep your firearm unloaded and safely stored when not in use.

**3. NEVER SOLELY RELY ON MECHANICAL FEATURES SUCH AS A SAFETY.** Mechanical features such as safeties can fail and should never be relied upon with disregard to proper safe firearms handling. Only by following the safe firearm-handling procedures in this manual will the safe use of your firearm be assured. You are responsible for always following these safe firearm handling rules. Mechanical safeties in firearms are aides in establishing a safer operating system but are never replacements for safe handling on the part of the shooter.

### **4. ALWAYS BE SURE OF YOUR TARGET AND WHAT IS BEYOND IT.**

Always know where a bullet you fire will hit and shoot only where there is a safe back stop free of any obstructions. Bullets can bounce or ricochet off many surfaces like rocks or the surface of water and travel in unpredictable directions with considerable velocity creating dangerous situations. NEVER fire randomly into the sky. A .22 short bullet can travel over 1.25 miles.

### **5. BE SURE TO USE CORRECT AMMUNITION**

Never keep ammunition in the same location as the firearm. Store each in a separate and secure place to avoid children or unauthorized users from obtaining them.

### **6. IF YOUR GUN FAILS TO FIRE WHEN THE TRIGGER IS PULLED, HANDLE WITH CARE!**

In the event of a hangfire or if the rifle does not go off when the trigger is pulled, always keep the gun pointed downrange and in a safe direction.

**7. ALWAYS WEAR EYE AND EAR PROTECTION THAT ARE SPECIFIED FOR USE WITH FIREARMS** every time you handle your firearm for loading, firing, cleaning, or maintenance. Make sure that all bystanders where you will be shooting are also wearing the proper eye and ear protection. The National Rifle Association has further information on proper eye and ear protection available at [www.nra.org](http://www.nra.org). State-sponsored hunter safety programs are also available. Visit your state's DEP website to obtain more information.

**8. MAKE CERTAIN THE BARREL IS CLEAR OF ANY OBSTRUCTIONS BEFORE SHOOTING.** Dirt, water, snow or other objects may inadvertently become lodged in the bore of the barrel. A small obstruction can cause a dangerous increase in pressure and may damage your firearm and cause injury to yourself and others. Refer to the field cleaning section of this manual if you discover any obstructions in the barrel for instructions on how to remove it.

**9. NEVER MANIPULATE, ADJUST OR ALTER ANY OF THE INTERNAL COMPONENTS OF YOUR FIREARM.** Improper manipulation or alteration of any internal component may affect the safety and reliability of your firearm and create a situation where serious injury or death could occur. In addition, do not replace any of the parts in your rifle unless they are genuine Traditions™ parts. The use of non-Traditions™ parts will void all warranties. Any alteration or replacement of parts in your Traditions™ firearm not performed by a qualified gunsmith using genuine Traditions™ parts may cause death, personal injury or property damage. NOTE: Altering the factory-standard mechanical function of your firearm will VOID your warranty and could lead to unsafe handling and function of the firearm.

**10. BEFORE HANDLING ANY FIREARM, UNDERSTAND ITS' OPERATION.** Not all firearms are the same and some have features and mechanical operation unique to that specific firearm. Before using a firearm you should learn the mechanical features of that specific firearm you intend to use. If you feel unsure about any operational aspects of this firearm, please contact Traditions™ before proceeding with its operation.

## **ADDITIONAL WARNINGS**

**NEVER UNDER ANY CIRCUMSTANCES USE ALCOHOL OR DRUGS BEFORE OR WHILE SHOOTING.** In addition do not use your firearm if you are on any medication which impairs, even slightly, your mental or physical ability. You should also not use your firearm if you are excessively tired, distracted, or impaired in any way. You need to be alert and have your full attention devoted to the safe use of the firearm.

**NEVER ALLOW THIS FIREARM TO BE USED BY ANYONE WHO DOES NOT UNDERSTAND ITS SAFE OPERATION OR HAS NOT READ THIS MANUAL IN ITS ENTIRETY.**

**APPROPRIATE USE FOR YOUR FIREARM MEANS USING YOUR FIREARM FOR LEGAL PURPOSES.** It is your responsibility to ensure that you are in compliance with all applicable Federal, State, and Local laws and ordinances regarding the use of your firearm.

**ALWAYS HAVE ADEQUATE VENTILATION WHEN DISCHARGING A FIREARM.** Discharging a firearm in poorly ventilated areas, cleaning firearms, or handling ammunition and loading components may result in exposure to lead and other substances known to cause birth defects, reproductive harm, and other serious physical injury. Review the warnings and labels for all ammunition, loading components, and cleaning products carefully. Wash hands thoroughly after exposure.

**NEVER DISASSEMBLE YOUR FIREARM** beyond the instructions outlined in this manual. Improper disassembly or re-assembly of your firearm may create a dangerous situation which can lead to serious injury or death to you or others or also the destruction of property.



**MAKE SURE THAT ALL ACCESSORIES, SUCH AS SLINGS, SCOPES, RINGS AND ANY OTHER ACCESSORIES ARE COMPATIBLE** with the firearm and that they do not interfere with the safe operation of the firearm. It is your responsibility to understand and follow all of the instructions in this manual, as well as those which may be supplied with your ammunition and any accessory and how they all relate to each other.

**WARNING: DO NOT DRILL HOLES IN THE BARREL AS THIS COULD WEAKEN THE BARREL STRUCTURE LEADING TO A RUPTURE. A RUPTURED BARREL CAN CAUSE SERIOUS INJURY AND/OR DEATH TO THE SHOOTER OR BYSTANDERS AND DAMAGE TO PROPERTY. DRILLING HOLES IN THE BARREL VOIDS ALL WARRANTIES.**

**WARNING: THE SAFE USE OF A FIREARM IS YOUR CONSTANT PERSONAL RESPONSIBILITY AND THE FAILURE TO FOLLOW ALL OF THESE BASIC SAFETY RULES OUTLINED IN THIS MANUAL MAY RESULT IN SEVERE PERSONAL INJURY OR DEATH TO YOU OR OTHERS AND DAMAGE TO PROPERTY. YOU ARE THE MOST CRUCIAL PART OF FIREARMS SAFETY WHEN IT COMES TO THE USE OF YOUR FIREARM AND TRADITIONS™ WILL NOT BE RESPONSIBLE FOR ANY PERSONAL INJURY, DEATH OR PROPERTY DAMAGE THAT RESULTS FROM: (1) THE CRIMINAL OR NEGLIGENT USE OF THIS FIREARM; (2) A DISREGARD OF THESE SAFETY INSTRUCTIONS AND WARNINGS; (3) IMPROPER OR CARELESS HANDLING OF THIS FIREARM; (4) THE USE OF NON-STANDARD, DEFECTIVE, IMPROPER AMMUNITION OR (5) IMPROPER OR NEGLIGENT MODIFICATIONS OR REPAIRS TO THE FIREARM.**

## **2. SAFE STORAGE & TRANSPORTATION**

**WARNING: ALWAYS HAVE THE MUZZLE OF THE FIREARM POINTED IN A SAFE DIRECTION AT ALL TIMES.**

**WARNING: DO NOT LOAD UNTIL READY TO DISCHARGE RIFLE.**

**WARNING: FIREARMS ARE DANGEROUS IF THEY ARE USED AND/OR STORED IMPROPERLY. THEY POSE A RISK OF SERIOUS OR FATAL INJURIES. FIREARMS CAN BE ESPECIALLY DANGEROUS TO CHILDREN WHEN THEY ARE STORED IN AN IRRESPONSIBLE AND UNSAFE MANNER. FOR YOUR SAFETY AND THE SAFETY OF OTHERS, IT IS IMPERATIVE THAT YOU KEEP YOUR FIREARM LOCKED AND UNLOADED IN A SECURE PLACE. THE AMMUNITION SHOULD BE STORED IN A SEPARATE, LOCKED, SECURE LOCATION WHEN IT IS NOT IN USE. SAFE AND SECURE STORAGE OF YOUR FIREARM IS ONE OF THE MOST IMPORTANT RULES OF FIREARM SAFETY. YOUR FAILURE TO FOLLOW THESE RULES MAY RESULT IN SERIOUS INJURY OR DEATH TO YOU OR OTHERS.**

**ALWAYS SECURE YOUR FIREARM IN A MANNER THAT WILL PREVENT UNAUTHORIZED ACCESS.** Whenever you are not using your firearm it should be kept unloaded and locked. Your own safety and the safety of others demands that you always secure and store your firearm in a way that will prevent unauthorized access. Never leave a firearm unattended unless it is unloaded, locked, and secured.

**WARNING: MAKE SURE TO CHECK TWICE THAT YOUR FIREARM IS UNLOADED BEFORE TRYING TO INSTALL ANY LOCKING DEVICE.**

**ALWAYS STORE YOUR FIREARM AND AMMUNITION AND LOADING COMPONENTS SEPARATELY** so that they are not accessible to children or other unauthorized persons. Safe and secure storage of your firearm, ammunition, and loading components is your responsibility.

**NEVER ASSUME THAT A “SECRET LOCATION” or “HIDING PLACE” IS A SECURE STORAGE METHOD.** Without your knowledge others, such as children, may be aware of your storage location or they may find it by accident. It is your responsibility to properly store your firearms, ammunition, and loading components and to always make sure they are not accessible to children or other unauthorized persons.

**NEVER TRANSPORT A LOADED FIREARM.**

When transporting your firearm it must be unloaded and securely locked. Safe and secure transportation of your firearm is another important aspect of your responsibility as a firearm owner.

**NEVER STORE A LOADED FIREARM.** When storing your firearm it must be unloaded and securely locked. Safe and secure storage of your firearm is one of your most important responsibilities as a firearm owner.

**ALWAYS FOLLOW THE LAW!** In many states and local municipalities there are laws and regulations that make it a crime to keep a firearm unlocked in an area that is accessible to children or others. Keeping a firearm locked and unloaded when not in use is not only a common sense safety practice... IT IS THE LAW. You must be familiar with all local, state, and federal laws regarding the safe storage and transportation of your firearm. Failure to know and follow the law may result in unauthorized access or use of your firearm by another for which you may be held accountable. Obey all laws relating to the storage and transportation of firearms. Your local police department or gun shop can provide you with the pertinent information for where you live on storing and/or transporting a firearm safely and legally.

**YOUR FIREARM IS YOUR CONSTANT RESPONSIBILITY.** You must always make sure to prevent your firearm from being stolen or from being used by untrained or unqualified individuals. To prevent this always keep it locked and secured when not in use by you.

### 3. LEARNING THE BASICS OF THE CRACKSHOT™ RIFLE



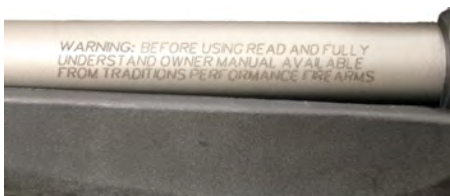
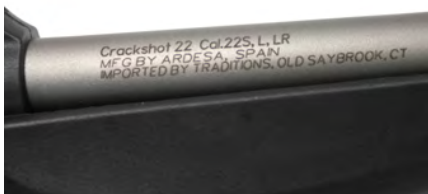
## Gun Model Designation on Frame



## Serial Number Marking on Frame



## Markings & Caliber on Barrel



## 4. SAFETIES INCLUDED WITH THE CRACKSHOT™ RIFLE

Your Traditions™ Crackshot™ Rifle comes equipped with 2 safeties.

The first safety is an internal hammer block safety that blocks the firing pin from being released and hitting the cartridge unless the trigger has been pulled. This prevents the firing pin from hitting the cartridge in the case of dropping the rifle or sudden impact.

The second safety is an ambidextrous mechanical trigger block safety that prevents the trigger from being pulled back and allowing the sear to become disengaged. The rifle cannot be cocked or de-cocked with the trigger block safety engaged.

### Manual Trigger Block Safety



Manual Trigger Block Safety **disengaged**.

If the red ring is visible, the gun is no longer safe and is ready to fire.



Manual Trigger Block Safety **engaged**.

Gun is in safe position if no red ring is visible.

### Internal Hammer Block Safety (Transfer Bar)



When rifle is **cocked** - internal hammer block safety moves into a lower position.



When rifle is **not cocked** - internal hammer block safety is in the highest position protecting the firing pin.

## **5. FUNCTION TESTING OF THE CRACKSHOT™ RIFLE**

**WARNING: ALWAYS KEEP YOUR FIREARM POINTED IN A SAFE DIRECTION AND TREAT THE RIFLE AS IF IT IS LOADED AND WILL FIRE.**

**WARNING: CONFIRM THAT THE FIREARM IS UNLOADED BEFORE ANY CLEANING OR CONDUCTING ANY FUNCTION TESTS.**

Now that you are familiar with the parts of the Crackshot™ rifle, a function test can be performed to ensure that all parts are operating as intended. This function test should also be performed every time after you have disassembled the rifle for cleaning or any maintenance.

### **Function Testing the Action**

1. Open the action by pressing on the barrel catch lever which will then allow the action to pivot open.



2. Close the action by pivoting the opposite way from when you opened the action waiting to hear a metallic click indicating the action is locked.



## Function Testing the Hammer

1. Disengage the safety so the red ring is visible. Cock the rifle by pulling the hammer rearward until you hear a metallic click and the hammer is locked into place. This means the rifle is now cocked and engaged.
2. Push forward on the rear of the cocked hammer. The hammer should remain in place and does not fall.
3. While empty and pointed in a safe direction, pull trigger in a rearward motion and hold. Hammer should now fall forward impacting the transfer bar. \*NOTE: Visibly inspect to be sure when the hammer is in forward position after firing the transfer bar is in the highest position.



## Function Testing the Safety

1. Disengage the safety button by pressing the button from right to left. You should hear a metallic click when it locks into place and a red ring should be visible indicating the rifle is ready to fire.
2. Engage the manual safety button by pressing it from left to right so that there is no red ring visible. A metallic click should be heard when engaged.
3. Pull the trigger to the rear. You should feel resistance when the safety is engaged. The trigger stays in place and the hammer does not fall.





## Initial Cleaning for Crackshot™ Rifles

These are brief instructions on what to do before you use your Crackshot™ rifle for the first time. When you first remove the rifle from the box there will be some manufacturing oils and grease for shipping purposes. These residues need to be removed so that the rifle will function properly.

**WARNING: Make sure the firearm is uncocked and unloaded with the trigger safety engaged in the “safe” position.**

1. With the action closed, unscrew the Quick-Detach Sling Swivel Stud with your fingers or using the supplied 4mm wrench and remove the forend from the barrel.



2. Slide the forend off of the barrel.

Remove the barrel from the receiver by pushing the barrel catch lever in. When the action starts to open lift the barrel up and out of the receiver. Clean all items with bore solvent. This will remove any manufacturing residue that may be on the inside or outside of the barrel.



3. Dry all of the parts completely.
4. Re-oil parts with gun oil.
5. Now reassemble your firearm.



Please refer to the Cleaning & Maintenance section for more information. Take time before such cleaning to study the Disassembly/Assembly procedures and the accompanying photographs to thoroughly acquaint yourself with your rifle's subassemblies.

## **6. AMMUNITION FOR THE CRACKSHOT™ RIFLE**

**WARNING: BE SURE TO USE CORRECT AMMUNITION. FAILURE TO USE APPROVED AMMUNITION IN THIS RIFLE COULD RESULT IN THE RIFLE OPERATING IMPROPERLY AND COULD CAUSE INJURY OR DEATH TO YOU AND OTHERS AND DAMAGE TO PROPERTY.**

Your Crackshot™ rifle is designed to fire factory-standard, approved ammunition as established and determined by the Sporting Arms & Manufacturers' Institute, Inc. (SAAMI) and American National Standards Institute (ANSI)).

Below are the cartridge listings for their respective models. Please check the barrel markings on your rifle to be sure you are using the correct ammunition for the caliber of your rifle.

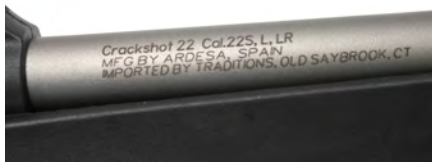
### **Traditions™ Crackshot™ Rifle .22 Caliber**

#### **Barrel Engraving For This Rifle:**

Crackshot .22 Cal. .22 S,L,LR  
MFG BY ARDESA, SPAIN  
IMPORTED BY TRADITIONS, OLD SAYBROOK, CT

#### **Supported Ammunition For This Rifle:**

.22 Long Rifle / .22 LR  
.22 Long / .22 Long  
.22 Short / .22 S



### **Traditions™ Crackshot™ Rifle .17 Caliber**

#### **Barrel Engraving For This Rifle:**

Crackshot .17 Cal. .17 HMR  
MFG BY ARDESA, SPAIN  
IMPORTED BY TRADITIONS, OLD SAYBROOK, CT

#### **Supported Ammunition For This Rifle:**

.17 Hornady Magnum Rimfire / .17 HMR

# 7. LOADING & UNLOADING YOUR CRACKSHOT™ RIFLE

## Loading Your Rifle

1. To load the rifle, grasp the gun firmly with both hands, keeping your finger off the trigger and out of the trigger guard.
2. Pull the barrel catch lever rearward and allow the barrel to pivot open on the pivot pin.



3. After ensuring that your cartridge matches the information provided on the barrel of the rifle, carefully slide the cartridge into the chamber until the rim sits on the supporting radius of the extractor.



4. Slowly and carefully close the action until the barrel catch locks into place. You should hear a metallic click of the action locking. Push the safety into the "safe" position so that the red ring is not shown.



**WARNING: Action should smoothly close without resistance. Never force action closed on a live round. Never continue to use your firearm if it is not functioning properly. Stop immediately, remove the round, and inspect the cartridge for defects and the rifle for chamber obstructions. If you are unable to recognize the problem, have the rifle examined by a qualified gunsmith.**

## Unloading Your Rifle

1. To unload your rifle, grasp the gun with both hands and pull the barrel catch lever rearward. Allow the barrel to pivot open on the frame pivot pin.



2. The extractor should push the cartridge from the chamber as the barrel pivots open.



3. Carefully remove the cartridge from the chamber area.



4. After unloading your last cartridge and completing your shooting, check your empty chamber for obstructions. Close the action of the rifle until the barrel catch mechanically locks. Place the gun in a "safe" position by pushing the manual safety from left to right so the red ring is not visible.



## **8. COCKING & DE-COCKING** **THE CRACKSHOT™ RIFLE**

**WARNING: ALWAYS KEEP THE MUZZLE POINTED IN A SAFE DIRECTION AND BE SURE OF YOUR TARGET AND WHAT IS BEYOND IT.**

### **Cocking Your Rifle**

1. Make certain the rifle is pointed in a safe direction.
2. Both hands should be dry and not impeded in any way (such as gloves, bandages, etc).
3. Disengage the manual trigger safety button by pressing it from right to left so the red ring is visible. The gun is no longer safe.
4. Pull the hammer rearward until you hear and feel the metallic click of the internal sear engaging. The hammer should stay in the cocked position.
5. Engage the manual trigger block safety by pressing the button from left to right so the red ring is no longer visible.



### **De-Cocking Your Rifle**

If your rifle is cocked and you no longer want to fire the rifle, carefully follow these steps to de-cock the gun.

1. **WARNING: ALWAYS KEEP THE MUZZLE POINTED IN A SAFE DIRECTION AND BE SURE OF YOUR TARGET AND WHAT IS BEYOND IT.**
2. Both hands should be dry and not impeded in any way (such as gloves, bandages, etc).
3. Disengage the manual trigger safety button by pressing it from right to left so the red ring is visible. The gun is no longer safe.
4. While holding hammer with thumb, with the hammer in the cocked position and while holding the trigger to the rear, press the trigger briefly until you have released the hammer. Immediately release the trigger and manually lower the hammer in a slow controlled manner onto the transfer bar. The action can now be safely opened.



## 9. FIRING YOUR CRACKSHOT™

**WARNING: ALWAYS KEEP THE MUZZLE POINTED IN A SAFE DIRECTION AND BE SURE OF YOUR TARGET AND WHAT IS BEYOND IT.**

**WARNING: BE SURE TO WEAR PROPER EYE AND EAR PROTECTION ANYTIME YOU FIRE YOUR FIREARM. ALSO MAKE SURE ALL BYSTANDERS IN THE AREA ARE WEARING PROPER EYE AND EAR PROTECTION AS WELL.**

**WARNING: NEVER RELY ON THE MECHANICAL SAFETY OF YOUR FIREARM FOR YOUR OR OTHER'S SAFETY. IT SHOULD NOT REPLACE PROPER SAFE FIREARM HANDLING PROCEDURES DESCRIBED IN THIS MANUAL.**

Now after following the previous instructions your rifle is ready to load and fire.

1. Grasp the rifle firmly with both hands with your finger off the trigger and out of the trigger guard. Make sure the safety is on and the red ring is not visible.
2. Press rearward the barrel catch lever and open the action of your rifle.

3. Manually insert a cartridge into the chamber and close the action. Be sure the rifle is fully closed and locked into position.



4. Disengage the trigger safety so the red ring is visible. Pull the hammer in a rearward motion until it locks to cock the rifle. Press the trigger safety from left to right so the red ring is not visible to engage the safety. Rifle is now ready to fire. **WARNING: DO NOT COCK THE RIFLE UNTIL YOU ARE READY TO FIRE.**
5. Raise the rifle up and firmly pull stock into your shoulder. Acquire your target and aim. Disengage the safety so the red ring is visible and pull the trigger slowly to fire the rifle. **Never carry a rifle in the cocked position. Do not disengage safety until you are ready to fire.**

## 10. MISFIRES, HANGFIRES, & SQUIB LOADS

If after following the previous instructions the rifle did not fire then you have had a misfire, hangfire, or squib load. Rarely is a misfire or hangfire the fault of the rifle. Generally it can be attributed to a problem with the cartridge.

**WARNING: A MISFIRE, HANGFIRE, OR SQUIB LOAD IS A DANGEROUS SITUATION AND IT IS IMPERATIVE YOU PROCEED WITH EXTREME CAUTION.**

### Misfire

A misfire is a failure of the cartridge, primer, or main charge to ignite. This could be a very hazardous situation.

**WARNING: Extreme caution should be exercised when dealing with a misfire.**

### Hangfire

A hangfire is a delayed ignition. The primer fires when the trigger is pulled and the main charge fires a brief moment later.

### Squib Load

A squib load is the result of a cartridge producing less than normal pressure or velocity after primer ignition. In some cases the bullet can become lodged in the bore creating an obstruction hazard. If you hear a reduction in noise, muzzle flash or recoil stop shooting immediately and follow the instructions above as you may have a squib load. From the chamber end, carefully inspect the chamber and bore visually and with a cleaning rod to be sure there is no obstruction. If there is an obstruction, do not continue to shoot as you will become injured and damage your rifle. Please bring your firearm to a qualified gunsmith for removal.

**If you are experiencing a misfire, hangfire, or squib load:**

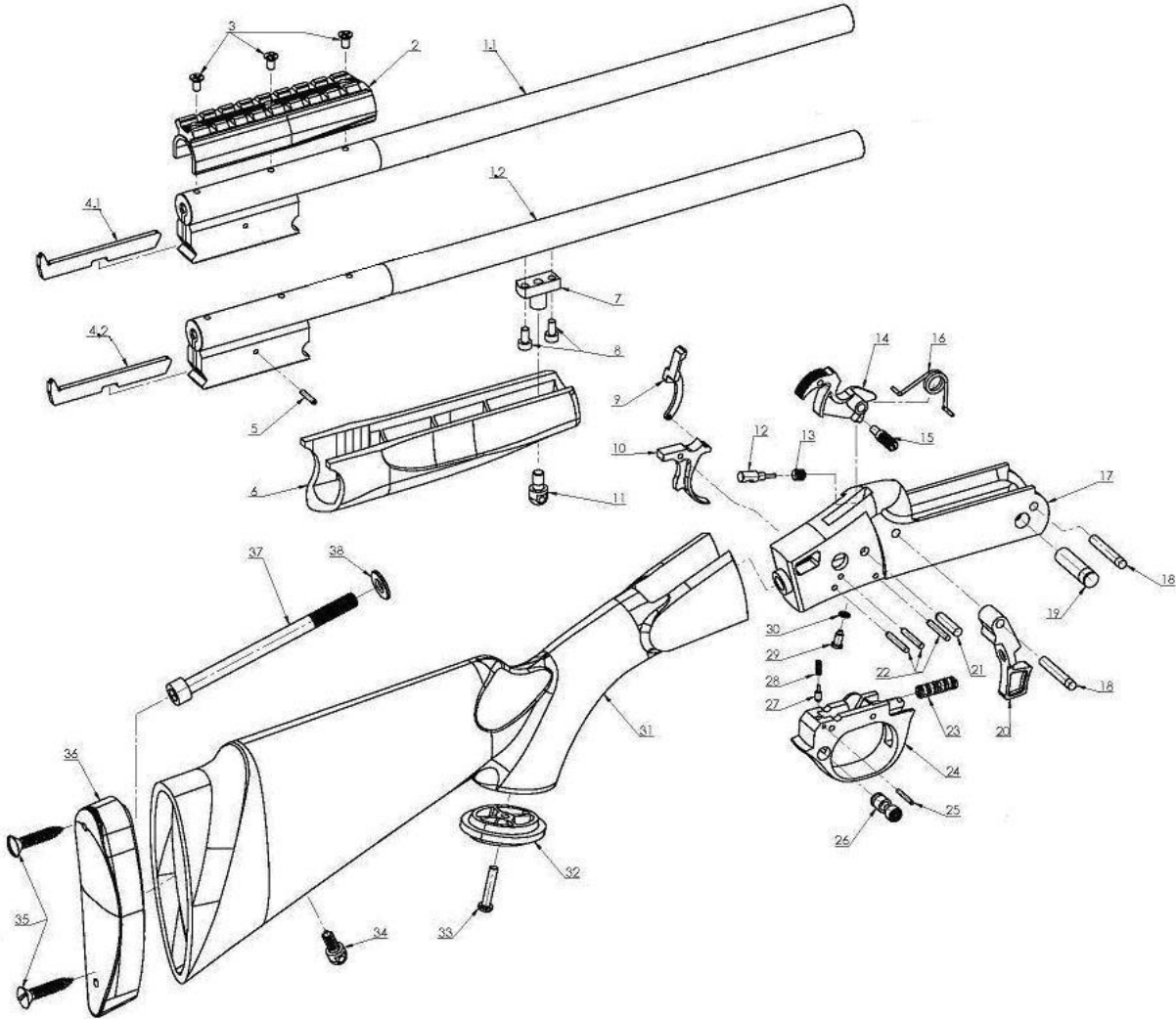
**Be sure to keep the firearm pointing in a safe direction as it may fire at any time. Wait at least 30 seconds with the action closed. Unload the rifle then dispose of the defective cartridge per range rules.**

**Crackshot Rifle**  
Models:

**AW Composite**  
**CR-220070/CR-170070**

.22LR cal. Twist 1-16" / .17HMR cal. Twist 1-9"  
Blued 16,5" Barrel

Rev.01



Description	Reference	Description	Reference
1.1 Barrel Assembly (Finished) (Length 16,5") .22 LR cal. Blued(twist 1-16").....	FB103022	18 Barrel Catch and Extractor Pin(x2).....	710023
1.2 Barrel Assembly (Finished) (Length 16,5") .17 HMR cal. Blued(twist 1-9").....	FB103017	19 Frame Pivot Pin.....	710024
2 Weaver Rail Cover.....	72200	20 Barrel Catch.....	71005
3 Weaver Rail Screws (x3)M4 DIN965.L:8mm.....	M36029	21 Hammer Pin.....	M710031
4.1 Extractor Plunger. 22 LR cal.....	72221	22 Trigger Guard and Trigger Pin (x3).....	710025
4.2 Extractor Plunger .17HMR cal.....	72171	23 Barrel Catch Spring.....	M71017
5 Extractor Plunger Pin.....	72214	24 Trigger Guard.....	M710027
6 Fore Stock 15".....	FCS30001-1	25 Safety Pin.....	M710029
7 Tenon M6.....	730023	26 Safety.....	710032
8 Tenon Screws (x2)M4 DIN912 L:8mm.....	400016	27 Ball.....	71000
9 Transfer Bar.....	71006	28 Trigger Guard Spring.....	M71015
10 Trigger.....	71003	29 Firing Pin Screw M4.....	M710021
11 Sling Swivel Stud – Front nut M6.....	32122	30 Firing Pin Screw Washer.....	M71020
12 Firing Pin.....	71007	31 Stock.....	FCS701070-2
13 Firing Pin Spring.....	M71011	32 Pistol grip Cap.....	50104
14 Hammer.....	10302	33 Pistol grip Cap Screw.....	50105
15 Hammer Handle.....	710004	34 Sling Swivel Stud-Rear.....	37223
16 Hammer Spring.....	M71018	35 Buttpad Mounting Screw (x2).....	20634
17 Frame (Alloy/Kataforesis).....	74022	36 Buttpad.....	60126
		37 Tang Screw M6 DIN912 L:110mm (5mm Key)....	22016
		38 Tang Screw Washer.....	22019



## 12. DISASSEMBLY & CLEANING OF CRACKSHOT™ RIFLE

**WARNING: CONFIRM THAT THE FIREARM IS UNLOADED  
BEFORE ANY CLEANING OR CONDUCTING ANY FUNCTION  
TESTS.**

The disassembly procedure is most often used for general cleaning, lubrication, and inspection of your rifle. Traditions™ recommends this be completed after each shooting session.

This procedure allows for quickly cleaning, lubricating, and inspecting all important parts and assemblies. By following this procedure it will help keep your rifle shooting safely and reliably for years to come. Carefully follow this easy 4-step process.

### **Required Tools & Supplies:**

- Cleaning Rod & Jag
- Bore Brush
- Bore Patches
- Bore Solvent
- Gun Oil & Grease
- Safety Glasses

### **Step #1 - Mandatory Safety Procedures**

1. Be sure to follow all safety rules previously discussed in this manual.
2. Your muzzle must be pointed in a safe direction at all times with the chamber empty and the hammer forward or down in its resting position.
3. Safety should be on and engaged. The red ring should not be visible. If it is, the safety is off and the gun is not safe.



## **Step #2 - Rifle Disassembly**

1. With the action closed, unscrew the Quick-Detach Sling Swivel Stud with your fingers or using the supplied 4mm wrench. NOTE: If extension gets lost, rifle hammer extension can be used.



2. Remove forend from barrel assembly.



3. Press the barrel catch lever to remove the barrel from the frame.



4. You can now clean your barrel assembly and frame.

## **Step #3 - Cleaning & Lubrication**

1. Apply Bore Solvent to a barrel brush and cleaning patches to clean the interior of the barrel.

2. Lubricate both the interior and exterior of the barrel using gun oil. This will help protect the barrel surface from rust.

3. Clean both the interior and exterior of the frame using a solvent saturated patch or rag. Lightly oil both the interior and exterior surfaces of the frame.

4. Lightly grease the frame pivot pin and barrel catch surface on the barrel.

5. Lightly oil all interior and exterior metal surfaces of your rifle.



## Step #4 - Rifle Reassembly

1. Reinstall the barrel assembly onto the frame and lock into place.



2. Reinstall the forend onto the barreled action.



3. Install the Quick-Detach Sling Swivel Stud with your fingers or a wrench until stud is tight. **WARNING: DO NOT OVERTIGHTEN.** This could cause damage to your rifle.



4. Perform a function test to be sure your rifle is fully operational. Reassembly is now complete.

# **13. SCOPE MOUNTING & SIGHTING IN**

Traditions™ Crackshot™ Rifle comes drilled and tapped for easy installation of mounts and a scope.

**WARNING: DO NOT DRILL EXTRA HOLES IN YOUR BARREL.** This can cause weakening of the barrel and the possibility of the barrel rupturing and/or bursting, resulting in injury or death of you or others.

Traditions™ recommends using Traditions™-brand scope bases and rings for mounting your scope as they are designed for your firearm. If you need to purchase new mounts and rings you can do so at your local dealer or on [www.traditionsfirearms.com](http://www.traditionsfirearms.com). Please contact Traditions Customer Service Department with any questions about proper mounts and rings for your firearm.

## **Securing Scope Bases to Your Barrel**

Use the allen wrench provided with your rifle to secure scope bases to your gun. You should also use the allen wrench to tightening the screws on the scope rings which should be finger-tight. Overtightening on the screws can cause stripped threads and/or bent and distorted mounts. Using Loctite and other threading compounds is encouraged but not a requirement.

## **Mounting Your Scope**

Traditions™ offers a wide variety of scopes and mounting options to suit many needs. Visit [www.traditionsfirearms.com](http://www.traditionsfirearms.com) to see our full line of optics and mounts or a dealer near you.

When mounting your scope, please take precaution in ensuring that your front objective lens bell is not touching the rifle and that your eyepiece has clearance from your hammer or cocking mechanism. Make sure that your eye relief is such that you have a comfortable aiming position, but that you have an appropriate distance from your eye so that you are not struck by the scope under recoil while shooting.

**NOTE: Your rifle comes with a hammer extension that is ambidextrous and can be screwed into the hammer. This allows you to easily cock the rifle with a scope on your gun.**

## **Rifle Scope Adjustment**

Rifle scopes have two turrets of adjustment for adjusting the point-of-aim for the shooter. Adjustment for elevation is on the top of the scope and windage is typically found on the right-hand side of the scope when mounted on the rifle.

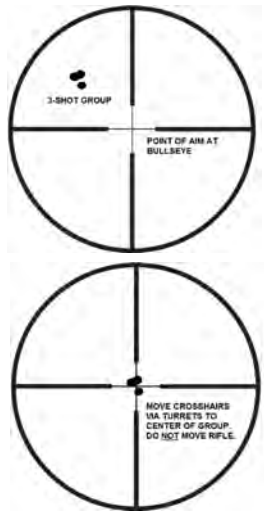
**WARNING: ALWAYS FOLLOW SCOPE MANUFACTURER'S MOUNTING INFORMATION AND DIRECTIONS.**

## Bore Sighting a Break Action Rifle

1. Check to ensure the barrel is unloaded and has no obstructions.
2. Remove your barrel from the rifle and carefully place it with the mounted scope on a sandbag or shooting vise.
3. Looking down the bore from the breech side, move your barrel to where the center of your target is in the middle of the field of vision.  
**NOTE: You can use a bore sighter for this process as well.**

## Sighting-In Your Rifle

1. Once bore-sighted, install your barrel back on your rifle. Place the rifle on your sandbag or shooting vise and fire a minimum of two shots at the bullseye.
2. Without moving the rifle, observe your shot group and its relation to the bullseye (or point of aim.)
3. Carefully adjust your scope's crosshairs with the turrets to the center of the shot group. Most hunting scopes adjust 1/4 inch per click at 100 yards. 50 yards is 1/8" and 200 yards is 1/2" per click.
4. Once your scope is adjusted to the point of impact, carefully move your rifle back to the bullseye as the point of aim.
5. Fire another shot group to determine if the point of impact is in alignment with your aim.
6. If you wish to zero at a greater distance, consult ballistic data for the load you are firing and repeat this process at that given distance.



# **13. WARRANTY & SERVICE**

## **3 YEAR MECHANICAL WARRANTY**

Traditions™ will warrant this firearm to be free of mechanical defects in materials or craftsmanship for **3 YEARS** from the date of purchase, while in the possession of the original owner.

**NOTE: Proof of purchase is required to show original ownership for all warranty work.**

Traditions™ will repair or replace, at its own option, product or parts which are returned at owner's expense to the Traditions™ Customer Service Department. Call 860-388-4656 to obtain a factory issued Return Merchandise Authorization number (RMA.) A full explanation of the specific problem must be given to the customer service representative.

## **PLEASE HELP US SERVE YOU BETTER**

In the event you should have questions pertaining to the function or performance of your new Traditions™ firearm please visit our website to get answers to the most commonly asked questions. Log on to [www.traditionsfirearms.com](http://www.traditionsfirearms.com) where you will find the FAQ page. This page will get you fast access to trouble shooting solutions. If you do not find an answer to your specific question on the FAQ page of our website please feel free to email [info@traditionsfirearms.com](mailto:info@traditionsfirearms.com) and a qualified member of our team will respond to your individual question as quickly as possible.

In the event you still need assistance please do not hesitate to contact Traditions™, and a member of our Customer Service Department will be happy to assist.

In the unlikely event you need warranty service on your new firearm; we need your help to get the work done right and without delay. It's as easy as dropping us a note or picking up the telephone.

Traditions™ conveniently engraves the caliber, serial number and model name on each barrel. Take note of this information, record it on the warranty page in this manual and be prepared to state it when contacting the Traditions™ Customer Service Department with your questions.

Contact Traditions at 860-388-4656, tell us what problem you are experiencing and we'll get busy to remedy your situation. Help is just a phone call away should you experience a problem. Simply follow these four simple steps and we'll get your firearm back in perfect working order in the shortest possible time.

## Steps to Return a Rifle for Service

1. Do not return your firearm to the dealer.
2. Please call us and describe the problem. Chances are we can either guide you to a solution right over the phone or when possible send you the parts you need to correct the problem. Should your gun need factory service, we will give you instructions about where to ship it and issue you a Return Merchandise Authorization number.
3. All firearms must have a factory issued Return Merchandise Authorization number (RMA) before returning to Traditions for warranty service. Firearms without an RMA number will be refused
4. Package your unloaded rifle safely and secure inside a sturdy box. The Traditions box your rifle arrived in is NOT a shipping box. **NOTE: Firearms packaged and shipped improperly are not covered under warranty if damage occurs.**
5. Write your RMA # on the outside of the box so it can be easily seen when it arrives at our facility.
6. Ship your unloaded rifle to:  
Traditions™  
1375 Boston Post Rd. • P.O. Box 776  
Old Saybrook, CT 06475-0776  
Tel. 860-388-4656  
Fax. 860-388-4657  
Website: [www.traditionsfirearms.com](http://www.traditionsfirearms.com)

**WARNING: It is in violation of Federal Law to ship a loaded firearm.**  
**If your gun has a live cartridge, charge, and/or projectile in the chamber or barrel, please take it to a local gunsmith for removal or call Traditions Customer Service Department at 860-388-4656.**

**ATTENTION: YOUR RIFLE MUST BE CLEANED BEFORE IT CAN BE INSPECTED.** If we need to clean your rifle in order to inspect it there will be a standard cleaning, lubrication, inspection, and function test (C.L.I.F.) service fee.

### **NOTE ON ACCESSORIES:**

**Please remove all after-market accessories from your gun prior to being sent in for repairs. This includes scopes, bi-pods, slings, etc. This will ensure that these items will not be lost, misplaced, or damaged during the return process.**

## FOR YOUR RECORDS

Important: Please record information here and keep for your record.

Model No. \_\_\_\_\_

Serial No. \_\_\_\_\_

Model Name \_\_\_\_\_

Caliber \_\_\_\_\_

Date Purchased \_\_\_\_\_

From \_\_\_\_\_

Registration Card mailed on \_\_\_\_\_

**Please call Traditions™ Customer Service Department at 860-388-4656 with any questions or concerns.**

To register your warranty online please go to [www.traditionsfirearms.com/support/warranty-registration](http://www.traditionsfirearms.com/support/warranty-registration), or you can mail in the warranty card on the opposing page.

To be added to our email list for announcements, specials, and other information please visit our website at: [www.traditionsfirearms.com](http://www.traditionsfirearms.com)



# PREFERRED CUSTOMER WARRANTY REGISTRATION CARD



Referencing the label on the end of the carton, please write in the last 5 digits located on the right half of the UPC code into the boxes below.

UPC #

4	0	5	8	9	-					
---	---	---	---	---	---	--	--	--	--	--

Model # \_\_\_\_\_

Serial # (from barrel) \_\_\_\_\_

Name \_\_\_\_\_ Age \_\_\_\_\_

Street \_\_\_\_\_

City \_\_\_\_\_ State \_\_\_\_\_ Zip \_\_\_\_\_

Day Time Phone # \_\_\_\_\_ Date of Purchase \_\_\_\_\_

Purchase Price \_\_\_\_\_ Store Name \_\_\_\_\_

1. What is your age? <sup>1</sup> Under 18 <sup>2</sup> 18-24 <sup>3</sup> 25-34 <sup>4</sup> 35-44 <sup>5</sup> 45-54 <sup>6</sup> 55-64 <sup>7</sup> over 65
2. Reason for your purchase <sup>1</sup> Hunting <sup>2</sup> Target Shooting <sup>3</sup> Personal use <sup>4</sup> Gift <sup>5</sup> Raffle Prize <sup>6</sup> Other
3. Do you own? <sup>1</sup> Muzzleloaders <sup>2</sup> Over/Under Shotgun <sup>3</sup> Side by Side Shotgun <sup>4</sup> Semi-Auto Shotgun <sup>5</sup> Pump Shotgun <sup>6</sup> Cartridge Rifle <sup>7</sup> Handgun <sup>8</sup> Bow
4. Where purchased? <sup>1</sup> Gun Shop <sup>2</sup> General Sporting Goods Store <sup>3</sup> Hardware Store <sup>4</sup> Chain Store <sup>5</sup> Mail Order Catalog <sup>6</sup> Internet Store
5. Which factors influenced your purchase? <sup>1</sup> Previously owned a **Traditions** product <sup>2</sup> Magazine Ad/Article <sup>3</sup> Internet/Website <sup>4</sup> **Traditions** Catalog <sup>5</sup> Recommendation of Salesperson <sup>6</sup> Recommendation of a Friend <sup>7</sup> Price <sup>8</sup> Features <sup>9</sup> Other
6. What type of game do you hunt? <sup>1</sup> Whitetail Deer <sup>2</sup> Mule Deer <sup>3</sup> Elk <sup>4</sup> Bear <sup>5</sup> Antelope <sup>6</sup> Turkey <sup>7</sup> Small Game <sup>8</sup> Other
7. What do you think is the best way to get information about Hunting & Hunting products? <sup>1</sup> Magazine Ads <sup>2</sup> Internet/Website <sup>3</sup> Television Programs <sup>4</sup> Radio
- 8a. Which magazine do you read? \_\_\_\_\_
- b. Which TV hunting show do you watch? \_\_\_\_\_

Check here to receive a free **Traditions** catalog showing muzzleloadings' largest selection of firearms and accessories or visit our website at [www.traditionsfirearms.com](http://www.traditionsfirearms.com)

To receive a **Traditions** Firearms Logo cap and catalog, send \$12.99 along with your warranty registration card.



**NOTE: Return this card within 15 days of purchase in order to validate your warranty.**

Please complete all information above and mail to:



P.O. Box 776 • Old Saybrook, CT 06475-0776

[www.traditionsfirearms.com](http://www.traditionsfirearms.com)



P.O. Box 776  
Old Saybrook, CT 06475-0776

**Place  
Postage Here.**  
Or for additional  
security enclose  
in a envelope.